

SHUOYING DIGITAL SCIENCE&TECHNOLOGY(CHINA)Co.,Ltd



DV0200 Action camera

User Manual

Introduction

Thank you for choosing this camera. The product adopts high-performance chip which can achieve HD video, motion graphics with strong continuity, support AVI video format, and take clear photograph. The product, with unique portable design, can be applied to various fields, and provide you convenient, safe and colorful life. Please carefully read this manual before using. Keep the manual in a safe place for future reference.

The compilation of the user manual refers to the latest information. The manual quotes captured screen displays and graphics, with the aim to introduce the digital camera through detailed and direct methods. Due to the differences of technical R&D and production batch, those captured screen displays and graphics indicated in the manual may be different from that of actual digital camera. The actual functions of camera shall prevail.

Precautions

Please carefully read the Precautions of manual before using, to ensure the correct and safe use of camera, optimal performance of camera and long lifespan.

- ◆ Do not place the camera under direct sunlight, or let the camera lens face the sunlight, otherwise, the image sensor will be damaged.
- ◆ When using the camera at the beach or waterfront, avoid water or sand to enter into the camera. The water, sand and dust may have saline component which will damage the camera.
- ◆ Do not expose the camera to dust or chemicals. Keep the camera in a cool and dry place with good ventilation. Do not put the camera in high-temperature, damp or dusty place, to avoid the failure of camera.
- ◆ Periodically use the camera during the long-term storage of camera. Check whether the camera can work normally before using.
- ◆ Use a soft, clean and dry cloth to wipe any dirt or stain on the camera or lens gently. If there is any sand

or dust on the camera or lens, blow the sand or dust off the camera or lens. Do not use cloth to wipe, otherwise, the surface of camera or lens may be scratched.

- ◆ In case of cleaning the surface of camera lens, first blow the dust off the surface, use a cloth or paper available to optical equipment to wipe the lens gently. Use the professional camera cleanser to clean the lens. Do not use any organic solvent.
- ◆ Do not touch the lens surface by fingers.
- ◆ In case of using the memory card of the digital camera for the first time, please back up the data first, and format the memory card of camera.
- ◆ The external TF card is made of precise electronic parts. The following cases may cause the loss or damage of data:
 1. Improper use of memory card.
 2. The memory card is bent, loose, or subject to impact.
 3. The memory card is placed high-temperature or damp environment or under direct sunlight.
 4. The memory card is exposed to electrostatic field or electromagnetic field.
 5. Remove the memory card or interfere the power of camera when the digital camera or computer is accessing the memory card (i.e. reading, writing or formatting etc.).
 6. Touch the metallic contact surface of memory card by finger or metallic materials.
 7. The lifespan of memory card is expired (please purchase new memory card timely).

Product Profile

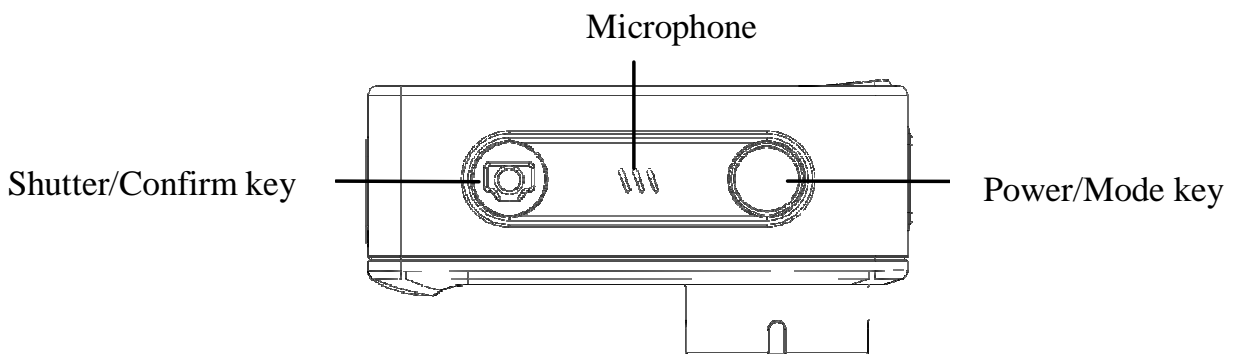
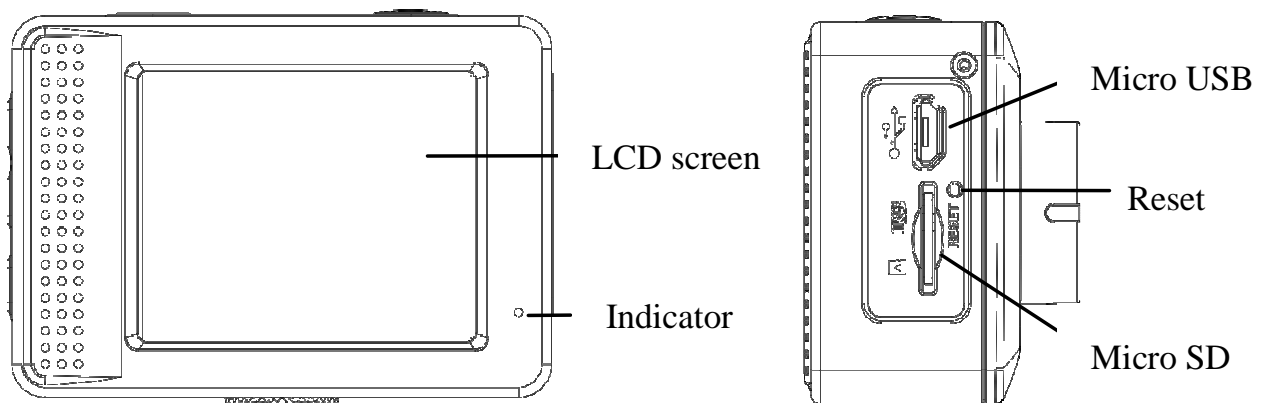
- ◆ Compact size and convenient installation.

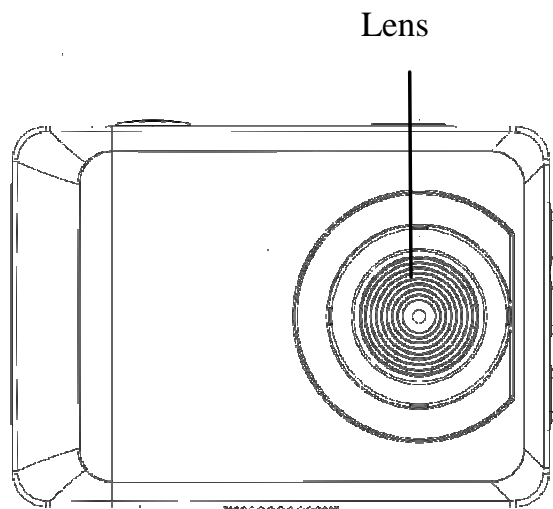
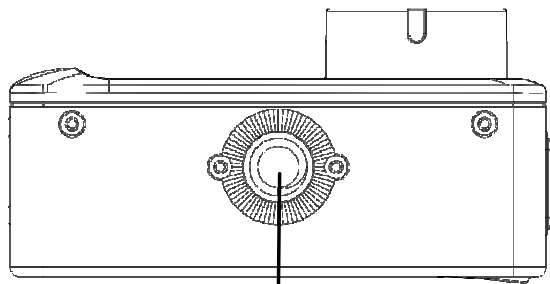
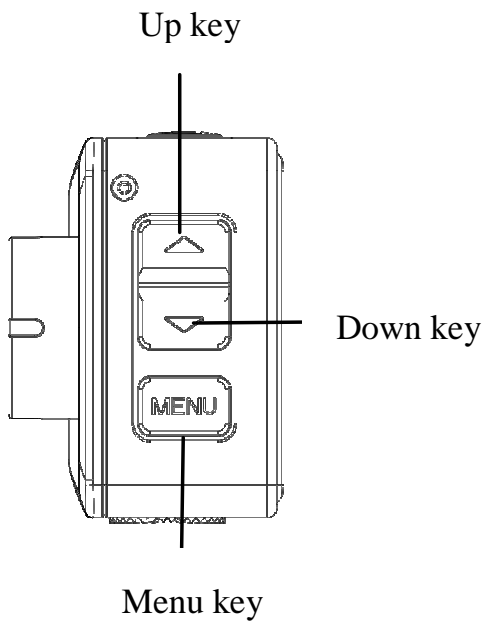
- ◆ The product adopts high-performance chip which can achieve HD video, motion graphics with strong continuity. The video recording is available even under low illumination. Support AVI video format.
- ◆ Support HD (1280x720),VGA (640x480) and QVGA (320 x 240) for recording.
- ◆ Sizes of 5M, 1M, VGA available for photographing.
- ◆ Support high-speed USB2.0.
- ◆ Support maximum 32G TF card.

System Requirements

System requirements	
Operating system	Microsoft Windows2000, XP, Vista, Windows 7
CPU	Intel Pentium III 800MHz or above or CPU with equivalent performance
Memory	512MB or above
Sound card and graphics card	Support Direct X8 or later
CD driver	4X speed or higher
Hard disk	More than 500MB free space
Others	1 standard USB1.1 or USB2.0 port

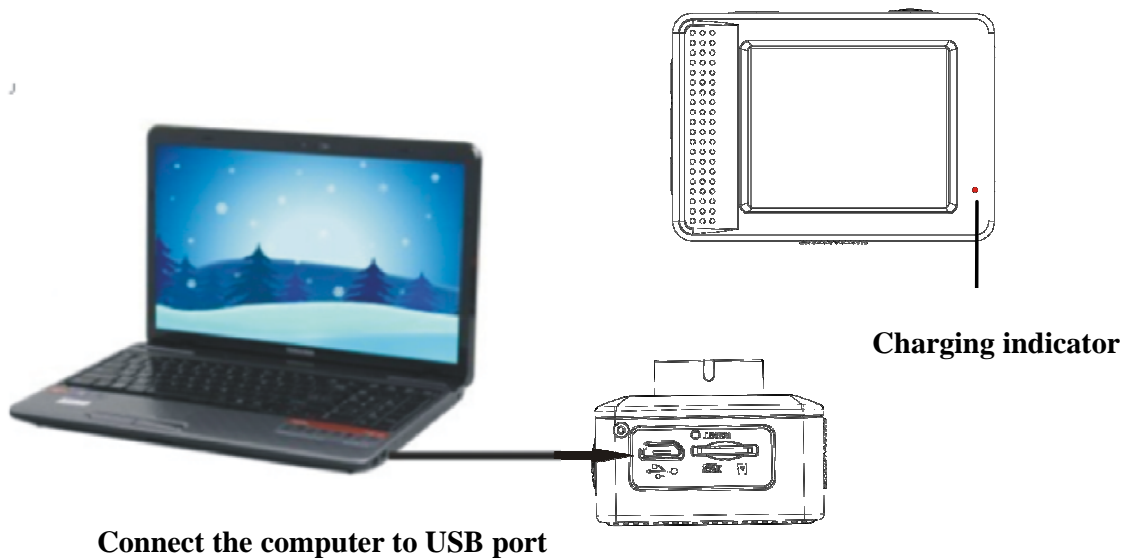
Appearance and Keys





Start to use

1. Charge the built-in lithium battery

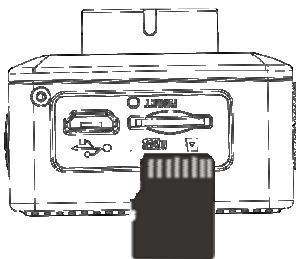


Connect the camera to computer for charging under shutdown status. The charging indicator will be on when charging, and will be off when the battery is fully charged. Generally, the battery can be fully charged after 2-4 hours.

2. How to use the memory card

2.1 Properly insert the TF card into the card holder as per the instructions indicated near the card holder.

2.2 To remove the TF card, press the end of memory card gently, the card will be ejected.



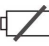
Note:The camera is not equipped with built-in memory. Please insert memory card before using.

3. Startup and shutdown

3.1 Startup: press the POWER key for 3 seconds, the camera will show startup screen and enters into POWER ON state.

3.2 Shutdown: press the POWER key when the camera is under idle mode to shut down.

3.3 Auto shutdown: the camera will be shut down automatically when the camera is under idle mode for a certain time to save power. The default time for auto shutdown is 3 minutes.

3.4 Shutdown under low power: when the battery is under low power, the LCD will indicate “”. Please charge the battery timely. When the icon turns red and flashes, the camera will be shut down automatically.

4. Function modes switching

The camera has 3 modes: photo mode, video mode, and playback mode. Press the power key to switch the modes after starting up.

Photo mode: for taking photos.

Video mode: for recording videos.

Playback mode: for playing back the current photo or video.

5. Indicator light

5.1 BUSY indicator: When the camera is working (e.g. recording, photographing, auto screen off etc.), the indicator will be ON.

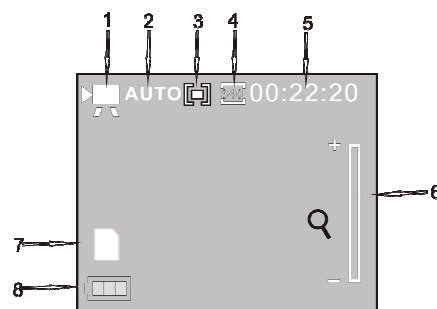
5.2 Charging indicator: In shutdown state, the lightened indicator means the user is charging the camera.

6. Video mode

Press the Power key to switch to video mode, press the Shutter key under the preview state to start recording, and press the Shutter key again to stop recording. If the memory card is full or the battery is under low power during recording, the camera will automatically stop recording:

- 1. Video mode
- 2. White Balance mode
- 3. Metering mode
- 4. VGA size

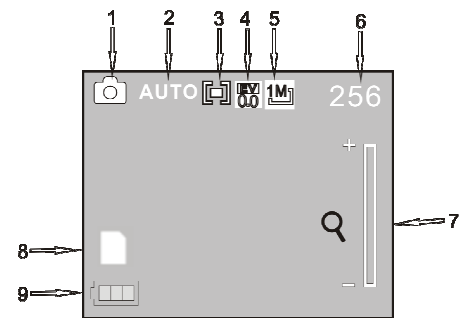
- 5. Available recording time
- 6. Icon of digital zoom
- 7. SD card inserted
- 8. Battery state



7. Photo mode

Press the Power key to switch to photo mode. Press the Shutter key under preview state can take one photo.

- | | |
|-----------------------|-----------------------------|
| 1. Photo mode | 6. Available shooting count |
| 2. White Balance mode | 7. Icon of digital zoom |
| 3. Metering mode | 8. SD card inserted |
| 4. Exposure mode | 9. Battery state |
| 5. Photo resolution | |



8. Playback mode

8.1 Press the Power key to switch to playback mode. Press the Up key or Down key under preview state to play the previous or next photo or video.



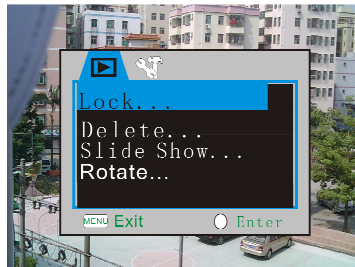
Playback video



Playback photo

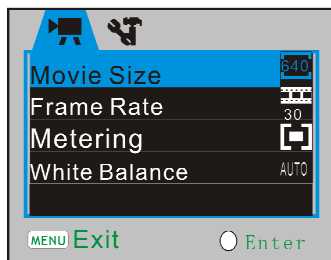
8.2 Press the Shutter key to play the video, and press the Shutter key again to stop play.

8.3 File operation: In playback mode, press MENU key to enter into the menu to lock, delete, slide show or rotate recorded files. Press the Up key or Down key to select the relevant menu item, then press Shutter key to confirm, or press MENU key to exit. As the following picture shows:

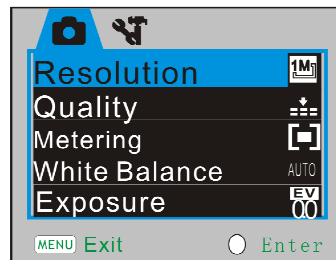


9. Menu mode

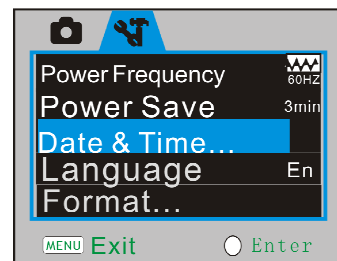
9.1 Press the MENU key when the camera is under idle state to enter into the menu of relevant mode. As the following picture shows:



Menu of video mode



Menu of photo mode



Menu of setup mode

9.2 After entering the menu mode, short press the shutter key to switch between the shooting mode and setup mode. Press Up key or Down key to select the menu items. Press Shutter key to confirm the selection. Press MENU key to cancel the selection or exit from the menu.

Application on PC

The camera has Plug and Play function. Use a USB cable to connect the camera to PC under Power On state to switch to removable hard disk mode. The icon of removable hard disk will be indicated in the window of “My Computer”. The shot photo/video files will be saved in the folder of removable disk I:\DCIM\100MEDIA (I refers to the removable disk of camera).

Note: No driver needs to be installed if operating the removable hard disk in windows 2000 or later version.

Installation of Drivers and Software

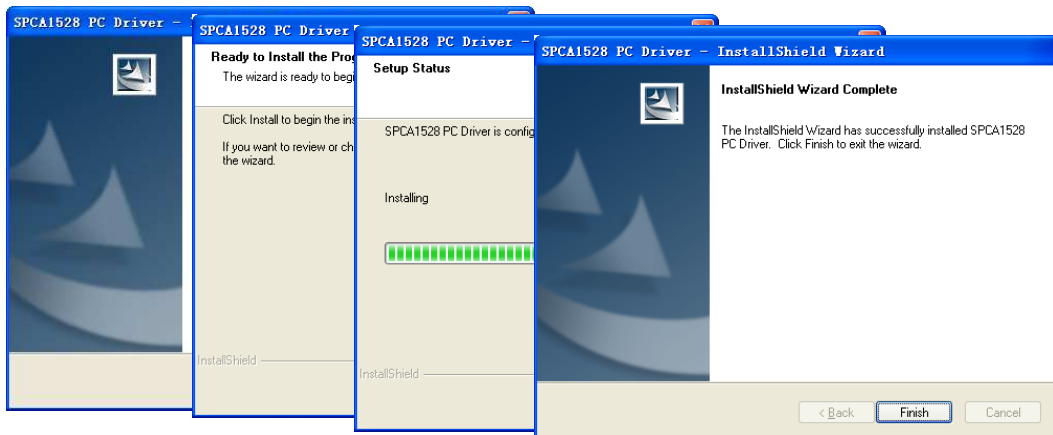
The disc includes the driver of camera and attached software **MAGIX Video easy SE / MAGIX Photo Manager 9** (available for processing photos and videos).

Installation interface: Insert the disc into CD/DVD-ROM drive, the system will automatically run the installation program, and the screen will show the following installation guide. (The running of auto installation program may need several seconds which depend on the performance of computer. If the screen does not show

the installation window, please run “Windows Resource Manager”, and select and run “SoftwareInstaller.exe” under CD/DVD-ROM drive)



Driver installation: Click “Install Driver” in the installation guide window, and finish the installation step by step as per the instructions. Restart the computer after finishing the driver installation.





Application software MAGIX Video easy SE / MAGIX Photo Manager 9: Please click the button on the guide window, and finish the installation step by step as per the instructions. Please click the “Software operation explanation” button on the guide window to check the operating method.

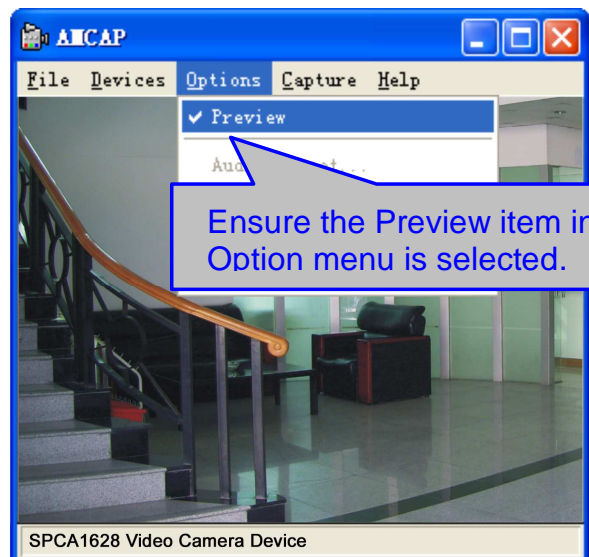
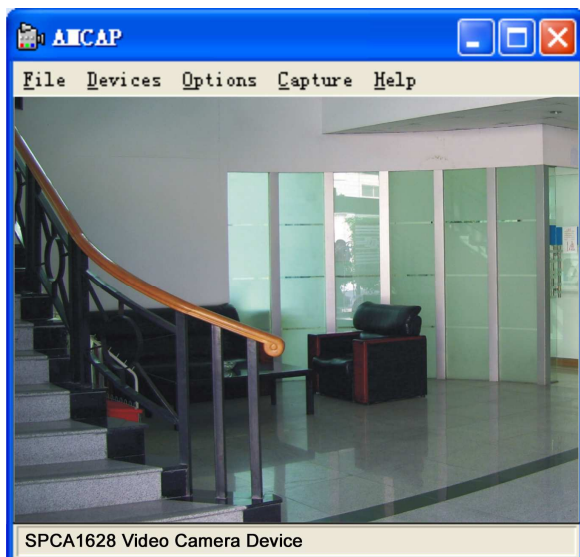
Use as Computer Camera

After connecting the camera to computer, press the shutter key to enter Camera mode.

Before using the camera function, please check whether the computer has been installed with camera driver.

After installing the driver, find a shortcut icon  Amcap in the menu of “SPCA1528PC Driver” which is newly

added in “Start→All Programs”. Click the shortcut icon  Amcap to open the AMCAP window which will show the video shot by the camera. When the AMCAP software is not activated, the camera function can also be used for transmitting video via network.



Technical Parameters

Image sensor	0.3 Mega Pixels CMOS Sensor	
Function mode	Video, photo, playback	
Lens	F1.05, f=4.1mm	
Digital zoom	4X	
Shutter	Electronic shutter	
LCD display	2.0 inch LCD	
Photo resolution	5M (2592 × 1944), 1M (1280×1024), VGA (640 x480)	
Video resolution	HD(1280x720, 15 frame/sec), VGA(640x480,30 frame/sec), QVGA(320 x 240, 30 frame/sec)	
White balance	Auto/Daylight/Cloudy/Fluorescent/Tungsten	
Exposure	-2.0 ~ +2.0	
File format	Video	AVI
	Picture	JPEG
Storage medium	TF card (maximum 32GB)	
USB port	High-speed USB 2.0 port	
Power source	Built-in 3.7V rechargeable lithium battery	
Dimension(L×W×H)	65×46×24mm	

Warning: Changes or modifications to this unit not expressly approved by the party responsible for compliance

could void the user's authority to operate the equipment.

NOTE: This equipment has been tested and found to comply with the limits for a Class B digital device, pursuant to Part 15 of the FCC Rules. These limits are designed to provide reasonable protection against harmful interference in a residential installation. This equipment generates, uses and can radiate radio frequency energy and, if not installed and used in accordance with the instructions, may cause harmful interference to radio communications.

However, there is no guarantee that interference will not occur in a particular installation. If this equipment does cause harmful interference to radio or television reception, which can be determined by turning the equipment off and on, the user is encouraged to try to correct the interference by one or more of the following measures:

Reorient or relocate the receiving antenna.

Increase the separation between the equipment and receiver.

Connect the equipment into an outlet on a circuit different from that to which the receiver is connected.

Consult the dealer or an experienced radio/TV technician for help.

Shielded cables must be used with this unit to ensure compliance with the Class B FCC limits.

This device complies with Part 15 of the FCC Rules. Operation is subject to the following two conditions : (1) this device may not cause harmful interference, and (2) this device must accept any interference received including interference that may cause undesired operation.

Only the USB cable supplied (with molded ferrite core) must be used with this product, Shielded cables must be used with this unit to ensure compliance with the ClassB FCC limits.