

Product Specification

Remote Controller	
Transmitting Frequency	40MHz、 49MHz
Power Source	1.5V AAA Alkaline battery x 2
Feature	Forward, reverse, left/right turn, super dive key
Submarine	
Power Source	1.5V AAA Alkaline battery x 1
Operation Time	150 minutes continuously
Boat Dimension	L 73.5 x W 61 x H 37.5 mm
Receivable Range	1~3 meters, varies with different operation environment
Diving Depth	60 cm

Non-rechargeable batteries are not to be recharged

Rechargeable batteries are to be removed from the boat before being charged

Rechargeable batteries are only to be charged under adult supervision

Only batteries of the same or equivalent type as recommended are to be used

Batteries are to be inserted with the correct polarity

Exhausted batteries are to be removed from the toy

The supply terminals are not to be short-circuited

Please keep the package since it contains important information

The antenna is not to be inserted into socket outlets ◦

Caution : Do not put the submarine into the water before its tail cover is installed ◦

Modifications not authorized by the manufacturer may void users authority to operate this device

NOTE:

This equipment has been tested and found to comply with the limits for a Class B digital device, pursuant to Part 15 of the FCC Rules. These limits are designed to provide reasonable protection against harmful interference in a residential installation.

This equipment generates, uses and can radiate radio frequency energy and, if not installed and used in accordance with the instructions, may cause harmful interference to radio communications. However, there is no guarantee that interference will not occur in a particular installation. If this equipment does cause harmful interference to radio or television reception, which can be determined by turning the equipment off and on, the user is encouraged to try to correct the interference by one or more of the following measures:

-Reorient or relocate the receiving antenna.

-Increase the separation between the equipment and receiver.

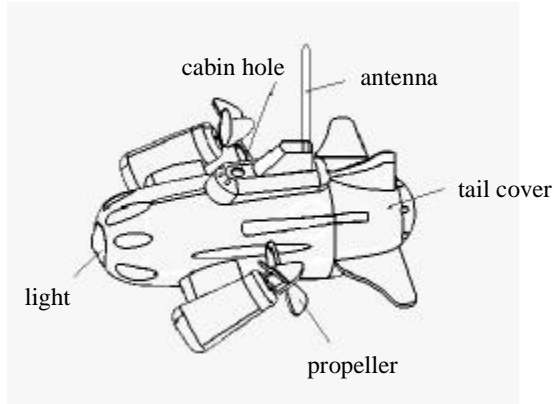
-Connect the equipment into an outlet on a circuit different from that to which the receiver is connected.

-Consult the dealer or an experienced radio/TV technician for help.

Thank you for purchasing the high-tech super-mini full functional remote-controlled submarine!

Please read the user instruction and caution items before operating, so you can fully enjoy the fun playing in the water world!

n Submarine Schematics



Please take out the submarine and remote controller from the box. The box contains:

Item	1	2	3	4	5	6
Product	submarine	remote controller	antenna	adjust lead ball	Battery (option)	Instruction manual
Quantity	1 set	1 set	1 pc	1 bag	3 pcs	1 pc

will stop operating. The submarine will turn right.

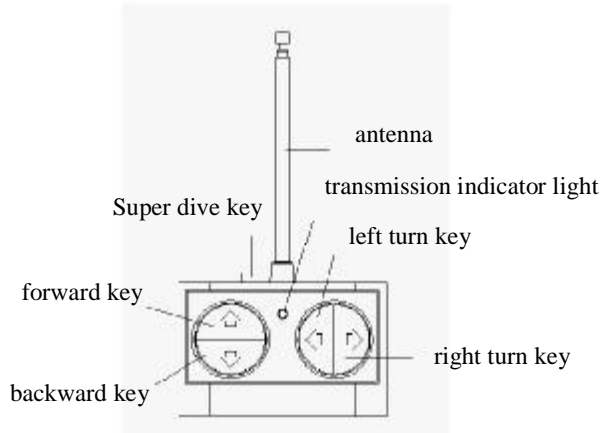
u Super dive Key

The super dive key is at the top of the remote controller. When pressing super dive key the submarine will submerge in high speed. When pressing right turn key or left turn key with super dive key at the same time, the submarine will make right or left turn in high speed too. .

n Caution Items

1. **The enclosed lead balls are used for balancing the buoyancy of the submarine. Guard children under age 3 from swallowing!**
2. **For your safety, do not touch the propeller during operation!**
3. **This submarine may be used in fish tank, bathtub, small pond and generally clean and clear water. But do not use it in the swimming pool without lifesaver, seashore, water channel, water pond and water tower!**
4. **The water quality may affect the operational function and use life of this submarine. Please use it in clean water without adding any chemical agent, for example: water with chemical substance, bubble water, salty water, overly cold or hot water.**
5. **Keep the interior of the boat dry at all times. In case the interior gets wet, wipe it dry with towel or paper towel immediately.**
6. **The remote controller is not water-proof. It will cause damage if we use the remote controller in the water.**
7. **When it is not in use, remove the "tail cover" and take out the battery to keep the interior dry.**
8. **Keep away from radio appliance during operation.**

n Function of Remote Controller Key



U Forward Key

When forward key is pressed, the two motors operate simultaneously and the submarine submerges forward in normal speed. The light is on automatically.

U Forward and Left Turn

Press forward key and left turn key simultaneously, and the motor on the right side will stop operating. The submarine will turn left and the light is on automatically.

U Forward and Right Turn

Press forward key and right turn key simultaneously, and the motor on the left side will stop operating. The submarine will turn right and the light is on automatically.

U Backward Key

When pressing backward key, the two motors will operate in reverse phase simultaneously, and the submarine moves backward and rise slowly.

U Backward and Left Turn

Press backward key and left turn key simultaneously, and the motor on the right side will stop operating. The submarine will turn left.

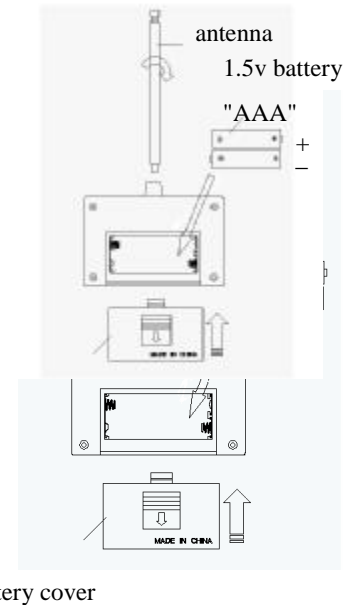
U Backward and Right Turn

Press backward key and right turn key simultaneously, and the motor on the left side

n Installation and Operation

A、 Remote Controller

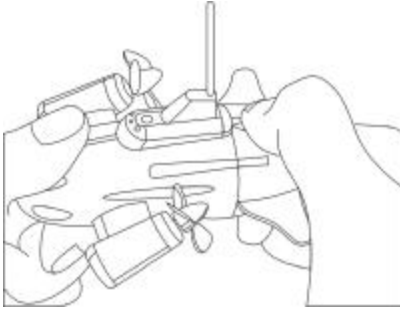
1. Please remove the "battery cover" of the remote controller, and place 2 size AAA alkaline batteries. Watch for the "+" (positive) and "-" (negative) polarity when placing the batteries. The signal will not transmit with wrong polarity settings.
2. Take out the antenna and attach it to the antenna hole at the top of the remote controller, and pull out the antenna completely.



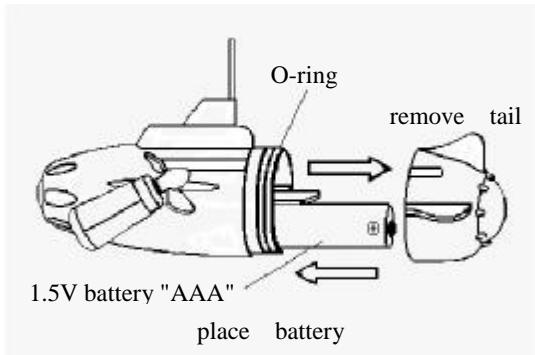
Caution : Do not put the remote controller into the water or get it wet, as it is not water-proof.

B、 Submarine

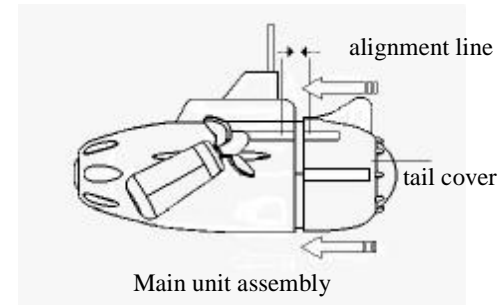
1. Remove the "tail cover" of the submarine, and place 1 size AAA 1.5V alkaline battery. Watch for the "+" (positive) and "-" (negative) polarity when placing the battery. The submarine will not function properly with wrong polarity setting.



Caution: When opening the tail cover, do not apply force on the tail wing to avoid the possible breakup.



2. Install the "tail cover" back to the submarine (please do not loose the two water-proof "black O-ring , or the water will get in). When the upper and lower cover is in tight fit, the baseline must be aligned, and the power will start to receive signal. The power will automatically shut down when the "tail cover" is removed.



Caution : Remove the "tail cover" when not in use, and take out the battery to keep the interior dry. Put it in a cool and shady place to avoid high temperature and humidity.

C、 Boat body buoyancy adjustment

Due to the use space may vary, the provided lead balls are placed into the boat body through the cabin hole on the top (refer to the drawing), to adjust the submergence and buoyancy capability for easy operation and control.

