

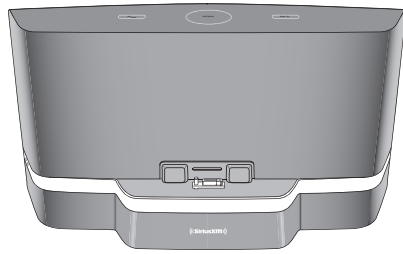


QUICK START GUIDE

SiriusXM Portable Speaker Dock

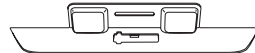


What's in the Box?



SiriusXM BB2 Portable Speaker Dock

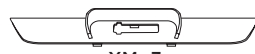
Radio Dock Adapters



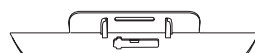
XM/SXM1 (Pre-installed)



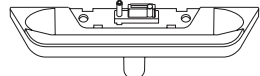
SXM2



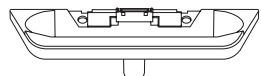
XMp3



SIRIUS



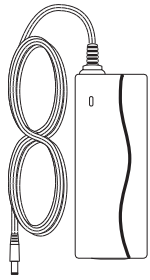
Radio Connector Module A (Pre-installed)



Radio Connector Module B (Pre-installed)



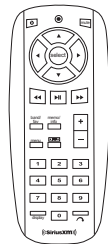
Indoor/Outdoor Home Antenna



Home Power Adapter

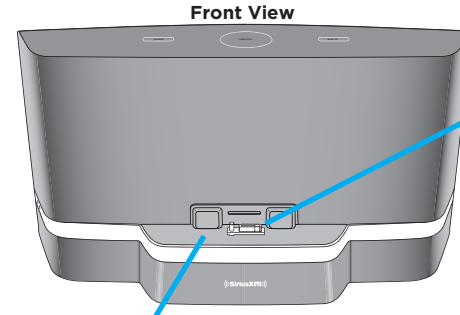


Power Cord



Remote Control

Portable Speaker Dock Controls and Connections



Front View

Radio Dock Connector
Connector for your Radio. (Interchangeable for different model Radios.)

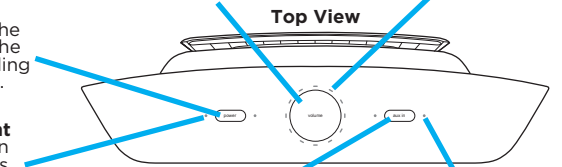
Radio Dock Adapter
Provides alignment and support for your Radio. (Interchangeable for different model Radios.)

Power Button
Pressing and holding until the Power On light is on turns the power On. Pressing and holding again turns the power Off.

Power On/Low Battery Light
The light is steady blue when the Portable Speaker Dock is powered on; the light blinks when the batteries are nearly discharged.

Volume/Mute Control
Sliding a finger in a circular motion on the volume control increases or decreases the volume level. Pressing twice mutes the audio and a circle of blue lights will flash while muted.

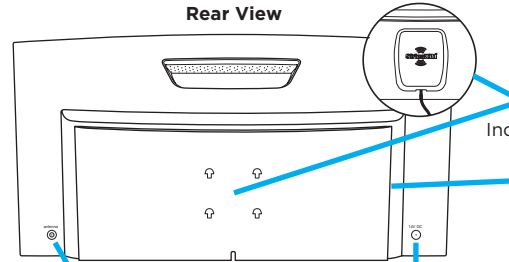
Volume Level Lights
Lights indicate volume level.



Top View

Aux In Button
Pressing and holding until the Aux In light is on switches audio output to Aux In input. Pressing and holding again switches to satellite radio.

Aux In Light
When on, Portable Speaker Dock is set to Aux In input.



Rear View

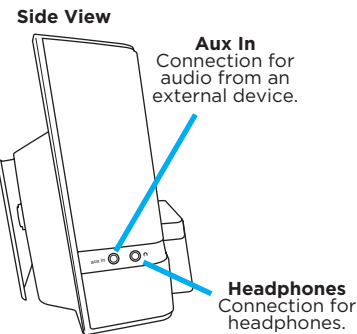
Antenna Storage
Storage area for the Indoor/Outdoor Home Antenna.

Antenna Cable Storage
Storage area for the Indoor/Outdoor Home Antenna cable.

Antenna Connection
Connection for the Indoor/Outdoor Home Antenna.

14V DC Power Connection
Connection for the Home Power Adapter.

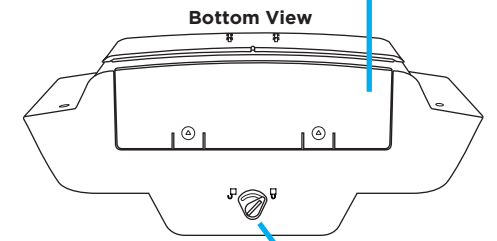
Battery Compartment
Requires 8 C size alkaline batteries (sold separately).



Side View

Aux In
Connection for audio from an external device.

Headphones
Connection for headphones.



Bottom View

Radio Connector Module Lock
Locks and unlocks the Radio Connector Module.

STEP 1: Identify the Radio Dock Adapter and Radio Connector Module Combination for your Radio

There are four **Radio Dock Adapters** included with your Portable Speaker Dock, which are designed to align your particular Radio with the Portable Speaker Dock's connector, and to provide support for your Radio while it is in the dock. Please note that Radio Dock Adapter XM/SXM1 is pre-installed in the Portable Speaker Dock.

There are also two **Radio Connector Modules** included with your Portable Speaker Dock, which provide the correct connector for your particular Radio. Please note that Radio Connector Module **A** is pre-installed in the Portable Speaker Dock.

Both the Radio Dock Adapters and the Radio Connector Modules have a sticker affixed on the bottom which identifies them. Turn them over to identify them.

The four combinations of the Radio Dock Adapters and Radio Connector Modules are shown with the Radios each combination supports. Find the correct combination for your Radio, and note the adapter and module you will use.

Radio Dock Adapter XM/SXM1
(Pre-Installed)

Top View

Bottom View

Radio Connector Module A
(Pre-installed)

Top View

Combination 1

Everything is pre-installed. Skip ahead to step 3.

Edge

XpressR

Onyx

Xpress

XpressRCi & XpressRC

XpressEZ

Radio Dock Adapter SXM2

Top View

Bottom View

Radio Connector Module B

Top View

Combination 2

Follow steps 2A, 2B, and 2C.

Lynx

Radio Dock Adapter XMp3i

Top View

Bottom View

Radio Connector Module A
(Pre-installed)

Top View

Combination 3

Follow steps 2A and 2C. Skip step 2B.

XMp3
XMp3i

Radio Dock Adapter SIRIUS

Top View

Bottom View

Radio Connector Module A
(Pre-installed)

Top View

Combination 4

Follow steps 2A and 2C. Skip step 2B.

Sportster 5

Stratus, & Stratus 4, 5, 6

Starmate 3, 4, 5

Starmate 8

STEP 2: Install the Radio Connector Module and Radio Dock Adapter

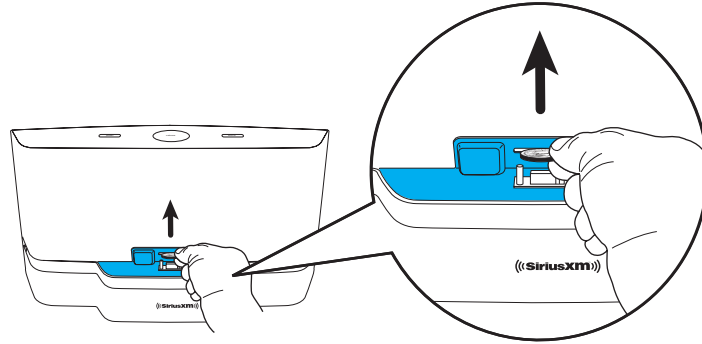
In this step, you will install the Radio Connector Module, if necessary, and Radio Dock Adapter, according to the combination for your Radio that you determined from the previous step.

- **Combination 1:** Skip this step and go to step 3. The adapter and module are already installed in the Portable Speaker Dock.
- **Combination 2:** You will remove the pre-installed adapter, remove the pre-installed module, install Radio Connector Module B, and install Radio Dock Adapter SXM2.
- **Combination 3 & 4:** You will remove the pre-installed adapter, and install the Radio Dock Adapter for your Radio. Follow steps 2A and 2C, and skip step 2B.

STEP 2A: Removal of the Radio Dock Adapter

The Radio Dock Adapters are constructed from precision molded plastic. During removal, extra care must be taken to not bend, force, or otherwise stress the adapter.

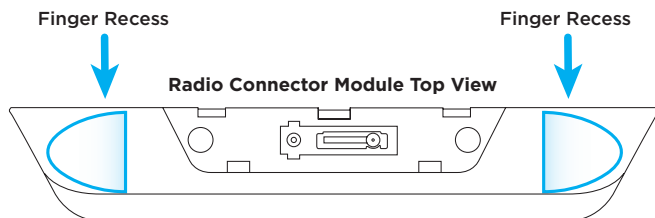
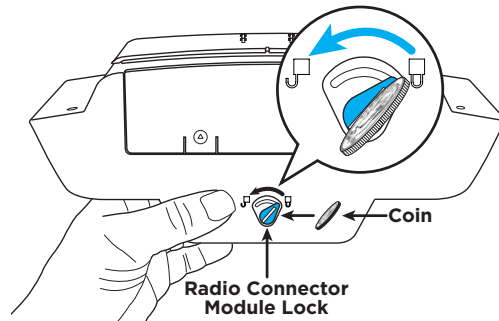
Remove the Radio Dock Adapter from the Portable Speaker Dock by placing a coin, or your fingernail, into the slot at the back of the adapter, and pulling it up.



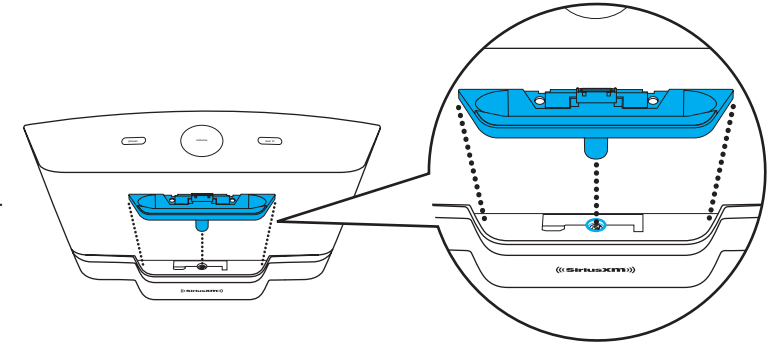
STEP 2B: Removal and Installation of the Radio Connector Module

This step applies only to **Combination 2**. For all other combinations, skip ahead to **step 2C**.

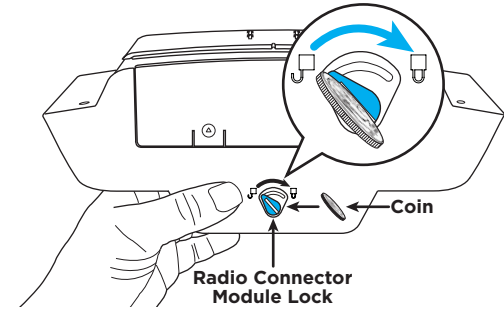
- Turn the Portable Speaker Dock upside down, and locate the Radio Connector Module Lock.
- While grasping the Portable Speaker Dock as shown, place a small coin into the center slot on the lock and turn the lock counterclockwise to unlock the Radio Connector Module.
- Turn the Portable Speaker Dock upright. Place a finger in each of the finger recesses in the Radio Connector Module, grasp, and gently pull the module straight up and out of the Portable Speaker Dock.



- Insert the **Radio Connector Module B** into the dock as shown.



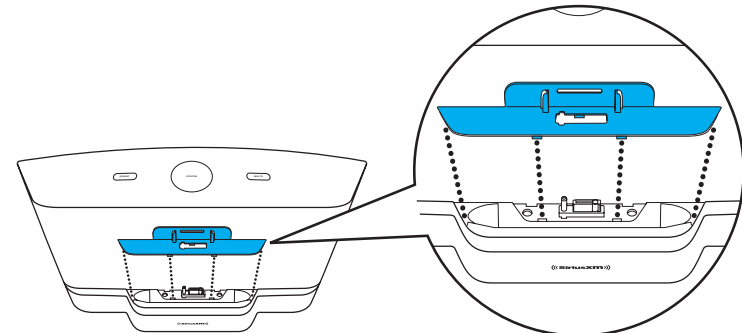
- Keeping your hand on the module to prevent it from falling out, turn the dock upside down again.
- Place the coin into the center slot on the lock again, and turn the lock clockwise to lock the Radio Connector Module into the dock. Turn the dock upright again.



STEP 2C: Installation of the Radio Dock Adapter

The Radio Dock Adapters are constructed from precision molded plastic. During installation, extra care must be taken to not bend, force, or otherwise stress the adapter.

Place the Radio Dock Adapter for your Radio into the dock. Take care to align the tabs on the underside of the adapter with the corresponding receptacles on the Portable Speaker Dock, so as not to bend or break these tabs. Gently press the adapter into the dock until it is seated.

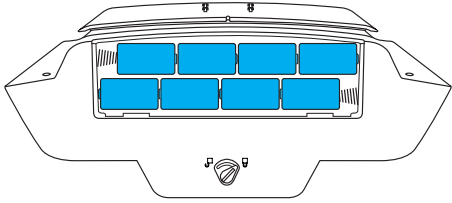


STEP 3: Install the Batteries or Home Power Adapter

The Portable Speaker Dock can operate on either batteries or by using the Home Power Adapter if you are near an outlet.

To use your Portable Speaker Dock on-the-go:

1. Open the battery compartment on the bottom of the Portable Speaker Dock. Insert 8 C-cell alkaline batteries in the battery compartment.



2. Replace the battery cover.



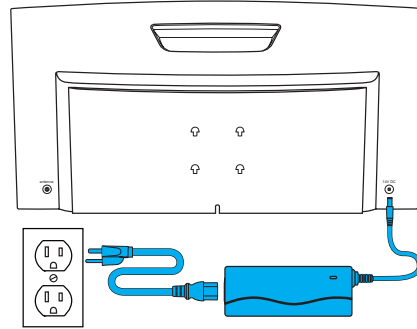
TIP! When the battery life is getting low the power light will blink and your Portable Speaker Dock may not play.



TIP! It is not recommended to keep batteries in the Portable Speaker Dock for an extended length of time. Remove the batteries when not in use.

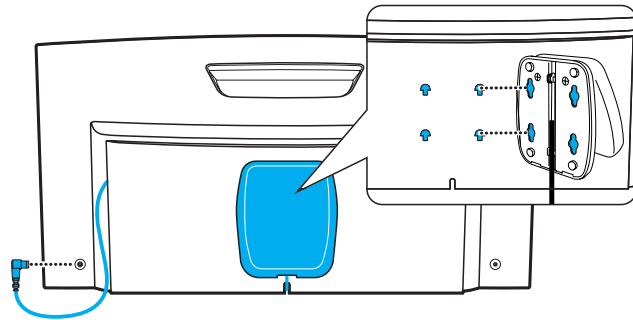
To use your Portable Speaker Dock with the Home Power Adapter:

1. Plug the Home Power Adapter into the connector labeled **14V DC** at the rear of the Portable Speaker Dock.
2. Plug the other end of the Home Power Adapter into a standard wall outlet.



STEP 4: Install the Indoor/Outdoor Home Antenna

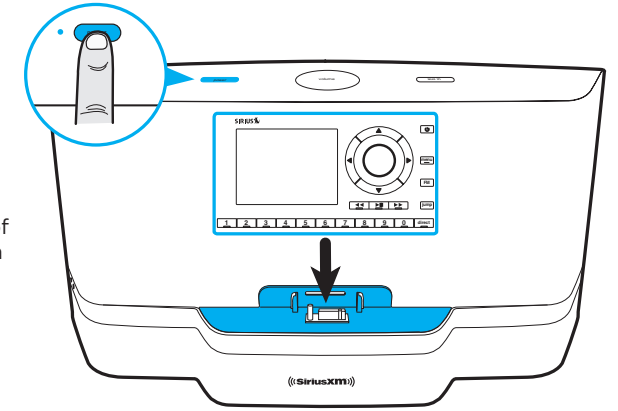
1. Plug the antenna cable into the **antenna** connector at the left rear.
2. Wrap the antenna cable into the storage area.
3. Place the antenna into the storage area at the rear of the Portable Speaker Dock. Align the mounting holes on the bottom of the antenna with the 4 mounting brackets on the rear of the Portable Speaker Dock. Push the antenna over the mounting brackets and then slide the antenna down slightly to secure it in place.
4. Open the antenna clamshell so that the top of the antenna is facing the sky.



TIP! If you are using the Portable Speaker Dock indoors, consult the User Manual beginning on page 30 for instructions for indoor antenna placement.

STEP 5: Insert Radio and Turn On the Portable Speaker Dock

1. Be sure the Portable Speaker Dock is powered off.
2. Align the Radio with the Radio Dock Adapter.
3. Once aligned, gently press the Radio down so that it slides down the Radio Dock Adapter and onto the connector, until it is fully seated in the Portable Speaker Dock.
4. Press and hold the **Power button** on the top of the Portable Speaker Dock until the Power On light is on.
5. If your Radio did not power on, press the **Power button** on your Radio.



STEP 6: Adjust the Audio Level

If your Radio has an **Audio Level** or **Line Out Level** adjustment feature in the **Settings** menu when it's docked in the Portable Speaker Dock, you should set this level to the maximum volume that does not cause distorted sound. This will maximize the audio quality. Refer to the User Guide which accompanied your Radio for instructions on how to set the level.

Some Radios do not have this adjustment available when docked in the Portable Speaker Dock. These Radios set their level automatically to optimize the sound quality. No adjustment is necessary.

The installation is complete. Sit back and enjoy your favorite programming on SiriusXM Radio!

Sirius XM Radio Inc.
1221 Avenue of the Americas
New York, NY 10020

1.866.635.2349

siriusxm.com