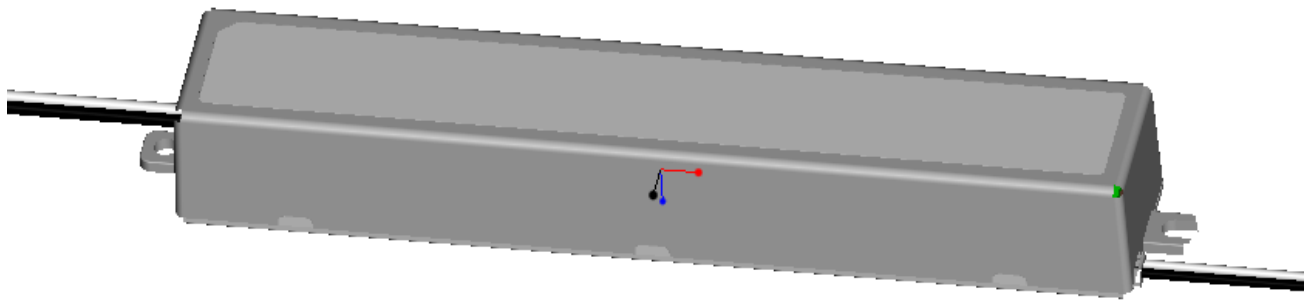


USER MANUAL



SMPS(48V30W)

Very thank you're your purchasing of SMC LED TUBE Please install the LED TUBE after full knowledge of this Manual In order to install the LED TUBE, the special qualification is not necessary but sometimes, the special licensed expert of electric work is needed depending on the environment or condition of the place.

Please request the installation to the specified licensed expert of electric work if needed

Information of copyright

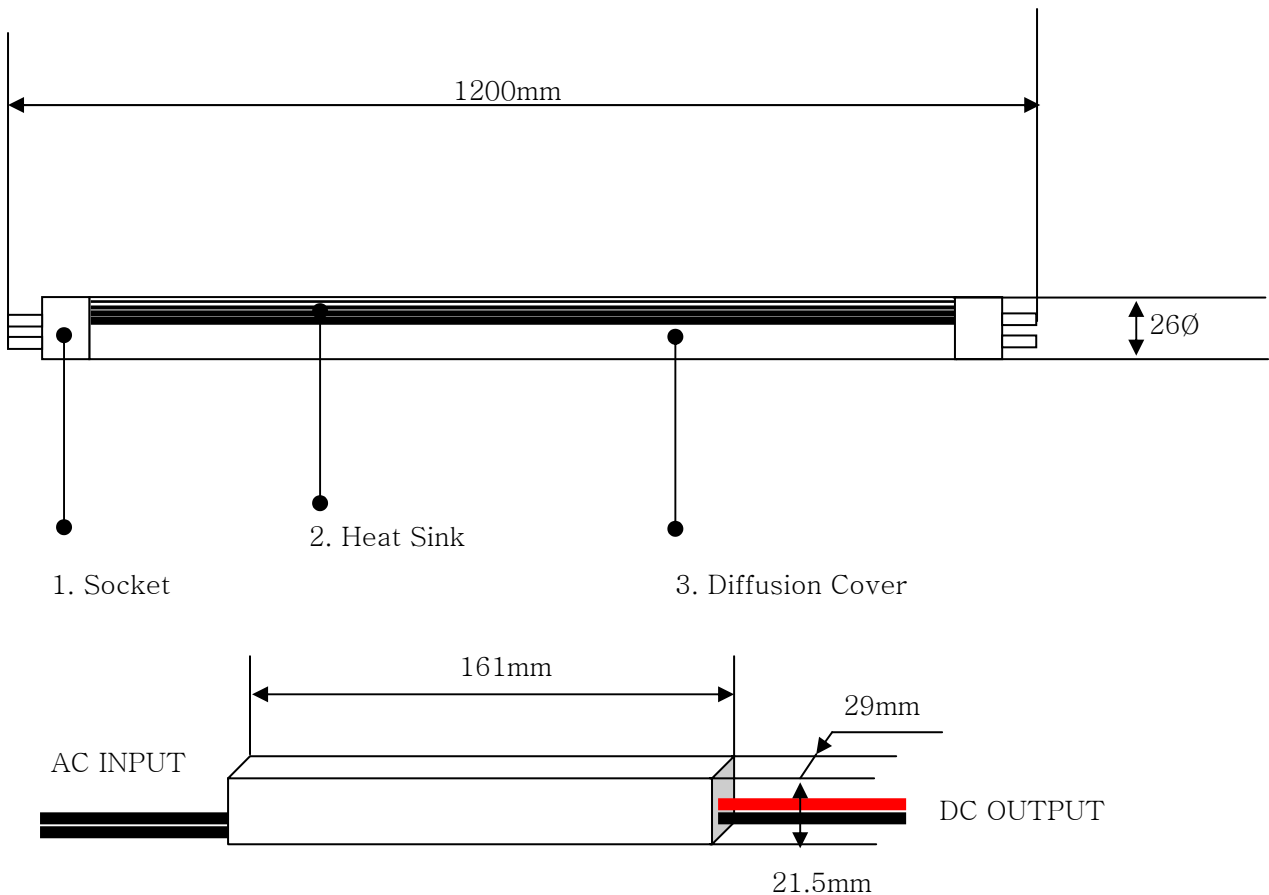
The LED TUBE is forbidden to be installed in the place where we ban or in case the copyright infringement domestically and internationally.

1. Component

Please check the below components before using Please inform us if you find the omission of component or the faulty.

- LED TUBE ----- 1
- SMPS(48V30W) ----- 1
- User Manual ----- 1

2. Name of Part



3. Specification

ITEM	LED TUBE SMPS		
Model	ST-F48P1		
AC INPUT	90~242V(50HZ/60HZ)		
WATT	9~30W		
CCT	5700~6300	Weight	287g

4. Check List before Installation

1) Input Power

- To check the input power in manual
- To check the stability of input power

2) To check the electric short or ground connection

- To check the electric short or short circuit during rain or heavy snow
- To check the electric connection and operation of lighting cover

3) Environmental Temperature

- The normal Temperature : 25℃
- Operating Temperature : -20℃~40℃

4) Condition of lighting cover)

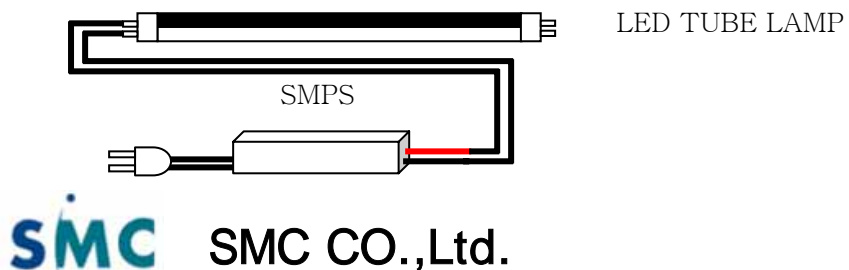
- Not to use the sealed lighting cover
 - To check the specification of lighting cover and to use the licensed
 - Not to use the lampshade or socket that has a crack on the soldering part or connection part
- ※ The failed LED TUBE due to user's mistake or carelessness of checking list can not have a free repairs

5. Installation

1) Direct AC connection – professional electric work is needed

- The operating life of LED TUBE is longer than normal fluorescent lamp so the frequent change of LED TUBE or SMPS is not needed.
- For the direct AC connection, the electric work license is necessary.
- The power supply must be cut during installation

⚠ Warning: Do not use SMPS of LED TUBE for normal fluorescent lamp



6. Cautions


Full knowledge and fulfillment of the following cautions is needed to prevent from the damage or loss of the property and life

◎ The damage or loss of the property and life due to user's mistake against this manual is user's responsibility.


 This mark means <warning of serious injury or death>

◎ Cautions for installation (expert of electric Work)

 **Caution** : This mark means <warning of serious injury or loss of property>

 **Warning** :

- The installation should follow to the manual. Otherwise, cause the fall down of Tube, electric shock or fire
- Please use in the range of described power/frequency. Otherwise cause the electric shock or fire
- The improper site due to vibration/shock may cause the fire/electric shock
- Please do not modify without manufacturer's confirmation

 **Caution** :

- Please do not use in the over range of described temperature (,-20℃~40℃)
- Please consider the ventilation in the hot place
- Please do not use in the place where has danger such as the exposed to the direct sunlight/ lots of humid/ lots of vibration/ the exposed to rain or gas

Caution: ▪ Please clean the tube after power off

▪ Please check at least one time per a year and request the inspection of expert at least one time per 3 year

Warning :

- Please do not disassemble or modify the tube arbitrarily.
- Please do not cover the flammable thing like fabric or paper on the tube.
- Please do not put the flammable instrument like gas stove, oven near the tube.
- Please call the manufacturer or electric work when the poor operation is found.
- Please do not touch the tube by naked hand or skin just after power off due to tube's heat.
- Please do not touch the tube by wet hand.
- Please use a proper lampshade or cover.
- If possible, please use the tube with good ventilation.
- The replacement of tube has to be executed 10 minutes later after power off
Please follow to the manual when the tube is replaced.
- Please use the specified PSU for the tube
- Please do not use FL/FLR or FHF.
- Please do not use A.B.O type mixed.

◎ About the LED Tube

- Every lighting system has life so after 10years later installation, even though the outer shape is same as before,
- ※ There is a possibility to reduce the product life in case the tube is used excessively from the standard condition $-20^{\circ}\text{C}\sim 40^{\circ}\text{C}$, 12 hours per day, 4500 hours per year
- Please do not look at the tube directly.
- The LED can not be replaced.

7. Warranty

The repair or replacement of the tube with warranty is for free.

FCC NOTE:

The manufacturer is not responsible for any radio or TV interference caused by unauthorized modifications to the equipment. Such modification could void the user's authority to operate the equipment.

This product may cause interference to radio equipment and should not be installed near maritime safety communications equipment or other critical navigation or communication equipment operating between 0.45-30MHz.