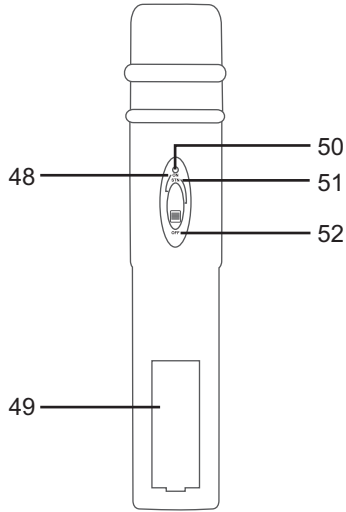


CONTROL LOCATIONS

ENGLISH



WIRELESS MICROPHONE

- 48. ON Position
- 49. Battery Compartment
- 50. LED Indicator

- 51. STANDBY Position
- 52. OFF Position

RADIO AND OTHER OPERATIONS

SING ALONG - RADIO

1. Follow operating instructions for AM/FM radio.
2. Connect the supplied Microphone to either one of the Mic input jacks.
3. Adjust Master Volume and Mic Volume. Your voice will be combined with the radio station output and will be heard through the speaker.

Note: Echo effect cannot be activated in radio mode.

PUBLIC ADDRESS - USING A MICROPHONE

The unit can be used as a PA (Public Address System).

Public Address (PA) Operation Procedures

1. Connect the supplied Microphone to either one of the MIC input jacks.
2. Press the ON/OFF button to turn the unit on.
3. Set the Function Selector to AUX. Move the MIC VOLUME control to central position.
4. Move the ON/OFF switch located on the Microphone to ON position and speak or sing to the Microphone. The Microphone sensitivity and loudness could be adjusted as required by turning the MIC VOLUME control and/or MASTER VOLUME control.
5. To add depth or ambiance to your voice, adjust the ECHO control until the desired effect is obtained.

Note: To prevent feedback or whistling from occurring, please be sure that the microphone is not too close to the unit.

SMM-107 WIRELESS MICROPHONE OPERATIONS

- 1) Lift up the battery compartment cover at the front of the handle.
- 2) Place a 9V battery in the compartment as indicated by the polarity symbols (+ and -) marked inside the compartment of the wireless microphone.
- 3) Replace the cover.
- 4) The switch on wireless microphone has three settings:
 1. ON - The switch is in the top position. The microphone will function. The red indicator light is on.
 2. STANDBY - The switch is in the middle position. The microphone will not function. The red indicator light is on.
NOTE: The purpose of this setting is to maintain a connection between the microphone and the Singing Machine when moving around the area in which it is being used.
 3. OFF - The switch is in the bottom position. The microphone will not function. The red indicator light is off.

NOTE: To ensure long battery life, please make sure that the wireless microphones is set to the OFF position when not in use. When not in use for a long period of time, we recommend that you remove the DC 9-V battery.

ENGLISH

WIRELESS MICROPHONE INFORMATION

Warning: Modifying, tampering and adjustment to this unit or replacement of any transmitter component (crystal, semiconductor, etc.) to this unit that could result in a violation of the rules.

FCC NOTICE

This wireless microphone system complies with Part 90 of FCC Rules. There is one frequency available for the system. You must get a licence for the frequency you plan to use before you use the system.

Please look for this website <http://wireless.fcc.gov/uls/> to apply the licence or phone to the nearest FCC offices and contact them to get the necessary application. Licensibility depends on how you will use the system.

For RF exposure

“IMPORTANT NOTE: To comply with the FCC RF exposure compliance requirements, no change to the antenna or the device is permitted. Any change to the antenna or the device could result in the system exceeding the RF exposure requirements.”

SAFETY INFORMATION

Your wireless microphone contains a low power transmitter. When the EUT is power on and it sends out radio frequency (RF) signals. In August 1996, the Federal Communications Commissions (FCC) adopted RF exposure guidelines with safety levels for wireless devices.

IMPORTANT

To maintain compliance with the FCC's RF exposure guidelines hold the transmitter and antenna at least 1 inch (2.5 centimetres) from your face and speak in a normal voice, with the antenna pointed up and away from the face. Ensure that the antenna is at least 1 inch (2.5 centimetres) from your body when you using your wireless microphone.

Use only the supplied antenna. Unauthorised antennas, modifications, or attachments could damage the transmitter and may violate FCC regulations.

NOTE:

THE MANUFACTURER IS NOT RESPONSIBLE FOR ANY RADIO OR TV INTERFERENCE CAUSED BY UNAUTHORIZED MODIFICATIONS TO THIS EQUIPMENT. SUCH MODIFICATIONS COULD VOID THE USER AUTHORITY TO OPERATE THE EQUIPMENT.