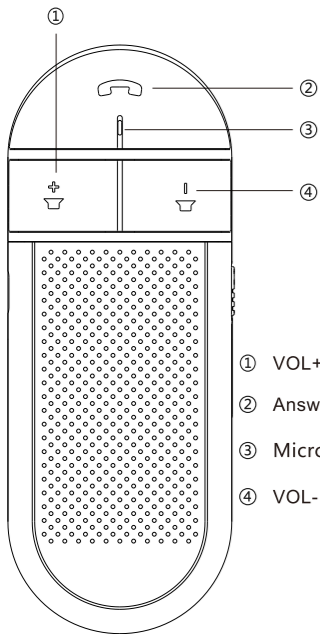


4.0 Car equipped
Bluetooth Bluetooth phone

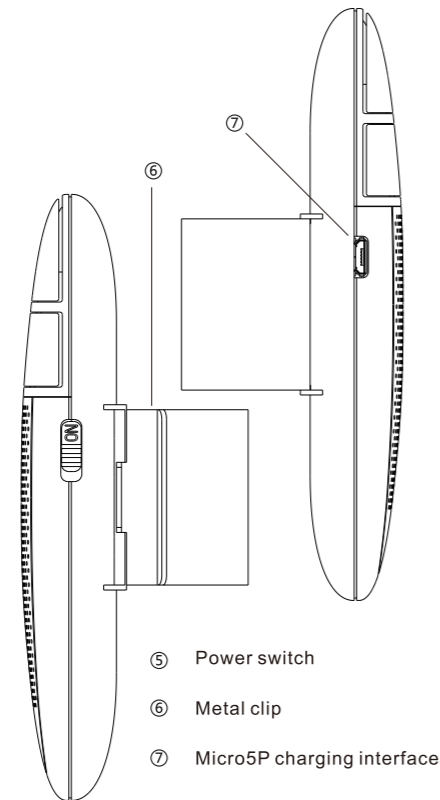
The first car phone that
adopts Bluetooth 4.0 technology

User's Manual

Key Schematic Diagram



- ① VOL+
- ② Answer key
- ③ Microphone hole
- ④ VOL-



- ⑤ Power switch
- ⑥ Metal clip
- ⑦ Micro5P charging interface

Operation Guide

Tips

1. Before using this product for the first, please charge the battery for 4-6 hours to activate the battery completely.
2. To connect the Bluetooth, please turn on the Bluetooth of the mobile phone first, and then turn on the power of the Bluetooth phone.

Turning on

Turn the power switch to ON, and the device makes alert tone and connects automatically (detection time: 5sec)

Pairing prompt

After turning on, the answer key flashes red and blue alternatively, pairs with the mobile phone that has enabled Bluetooth in 150 seconds automatically, and makes alert tone after pairing successfully.

Pairing two mobile phones simultaneously

Turn on the first mobile phone and enter the pairing state, press and hold the Bluetooth key for 5 seconds after having paired to enter the pairing state again, and the first mobile phone will be disconnected; then, pair the second mobile phone, and then tap Connect on the first mobile phone, and the two mobile phones are paired simultaneously. **The passwords is:0000(if needed)**

Schedule off

In pairing state, if there is no mobile phone connected in 150 seconds, the device will turn off automatically (soft off) and make alert tone; the switch is in the OFF position at this moment; to restart the device, toggle the switch (after turning off, wait for 3 seconds before restarting)

In addition, if there is connection in 10 minutes after the mobile phone is disconnected from Bluetooth, the device will turn off automatically.

Battery status display

When the device is connected to a mobile phone, the battery status will be displayed on the status bar of the mobile phone (* mobile phone system should be iOS or Android 4.0 or above).

Answering/ending a call

When there is incoming call, the device makes ringtone alert, and you can press the Answer key to answer the call, and press the key again when the call ends.

Low battery alert

The red indicator flashes quickly for three times every 3 seconds, and the charging time is about 2 hours.

Charging indicator

Whether the switch key is in ON or OFF position, the red indicator is constantly lighted while charging, and is turned off after having charged.

Turning off

When the switch key is moved to OFF position, the device cuts off the power supply, turns off and doesn't make any alert tone.

Mobile voice navigation

When using the map navigation phone beep can be expanded via Bluetooth intercom voice navigation, long press the volume key for volume adjustment and subtraction, there is a beep.

Accessories

| | |
|----------------------|------|
| Car charger | 1pcs |
| USB data cable | 1pcs |
| Manual/Warranty Card | 1pcs |

Parameters

| | |
|-----------------------|------------------------|
| Output power | 2W |
| Frequency response | 180Hz~16KHz |
| Impedance | 8Ω |
| SNR | ≥70dB |
| Distortion | 0.5% |
| Battery specification | BL-4C/3.7V/600mAh |
| Charging voltage | DC 5V |
| Dimensions | L121*W46*H19 mm |
| Net weight | 62±3g (excluding clip) |

Warranty Card

When you buy the product, please fill in the card and keep it properly. The accessories are not covered by the warranty.

| | | |
|-------------------|-----------------|-----|
| Client Name | Sex | Age |
| Address | | |
| Phone No. | Postal Code | |
| Place of Purchase | | |
| Date of Purchase | Sales Order No. | |
| Product Model | Product No. | |
| Dealer Stamp | Client Name | |

SOAIY[®] 4.0 Car equipped
Bluetooth Bluetooth phone

The first car phone that adopts Bluetooth 4.0 technology

4.0 Advanced Bluetooth 4.0 chip, powerful performance, ultra-low power consumption

Built-in large capacity lithium battery for 30 days standby

Digital power amplifier, clear and natural call

Allow connecting two mobile phones simultaneously, which is more convenient

Turn off automatically when Bluetooth connection is unavailable, saving power and ensuring safety

Professional noise reduction microphone avoids distortion of call speech

Shenzhen Soaiy Wireless Interconnection Technology Co., Ltd.
4/F, Block D, Fuxinlin Industrial park, Hangcheng Industrial Zone, Fuhua Community, Xixiang Street, Bao'an District, Shenzhen City.

Hotline: +86 400-042-1588

For more information, please visit the official website: www.soaiyaudio.com

Custom standard

* The pictures and function text of the product on the package have been checked in detail. If there is any printing error, the Company shall assume no responsibility. The actual product shall prevail.

* The trademark and logo of "Soaiy" have been register and are protected by the intellectual property law. Without permission of the Company, any counterfeiting is prohibited. All rights reserved.

* The product is subject to change without prior notice. The right of final interpretation is reserved by Guangzhou Soaiy Digital Technology Co., Ltd.



6 1958510 1200301

FCC Information and Copyright

This equipment has been tested and found to comply with the limits for a Class B digital device, pursuant to part 15 of the FCC Rules.

These limits are designed to provide reasonable protection against harmful interference in a residential installation. This equipment generates,

uses and can radiate radio frequency energy and, if not installed and used in accordance with the instructions, may cause harmful interference

to radio communications. However, there is no guarantee that interference will not occur in a particular installation. If this equipment does

cause harmful interference to radio or television reception, which can be determined by turning the equipment off and on, the user is

encouraged to try to correct the interference by one or more of the following measures:

- Reorient or relocate the receiving antenna.
- Increase the separation between the equipment and receiver.
- Connect the equipment into an outlet on a circuit different from that to which the receiver is connected.
- Consult the dealer or an experienced radio/TV technician for help.

15.19 Labelling requirements.

This device complies with part 15 of the FCC Rules. Operation is subject to the following two conditions:

- (1) This device may not cause harmful interference, and
- (2) this device must accept any interference received, including interference that may cause undesired operation.

changes or modifications not expressly approved by the party responsible for compliance could void the user's authority to operate the equipment.

FCC RF warning statement: the device has been evaluated to meet general RF exposure requirement , The device can be used in portable exposure condition without restriction.