

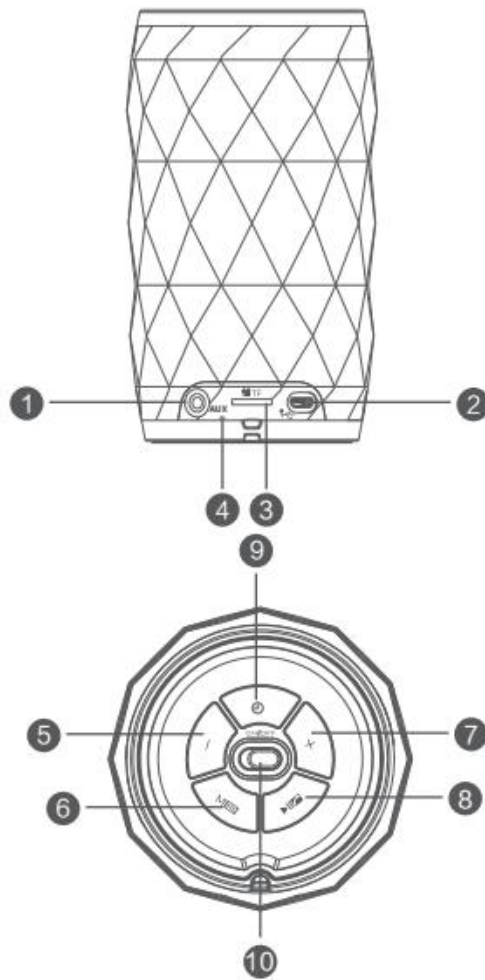
Color Changing Bluetooth Speaker

S-75



Quick Start Guide



Appearance and Function key

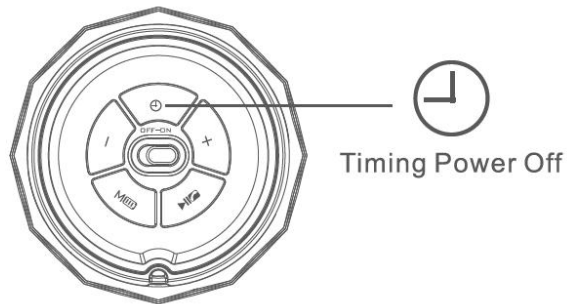


- ① AUX Audio Input
- ② USB Interface
- ③ TF Card Slot
- ④ Microphone Hole
- ⑤ Volume Down / Previous Track
- ⑥ Mode Switch/Battery level indicator
- ⑦ Volume Up / Next Track
- ⑧ Pause / Play
- ⑨ Timing Power Off
- ⑩ Power On / Off

Key Function Operation

1. Timing Power Off

Quick press  key, green light will flash three times, then it will enter Timing Power Off mode (last for 20 mins). If you want to cancel Timing Power Off function, please press and hold it  key for 3 seconds, then green light will last for 3 seconds, which means cancel successfully.

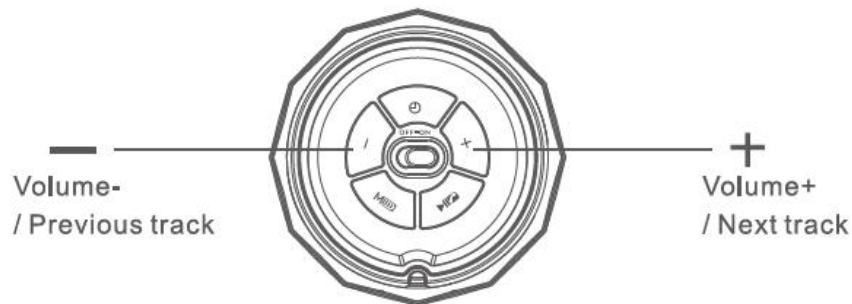


2. “—”



Quick press for Volume-, press and hold it for Previous track.

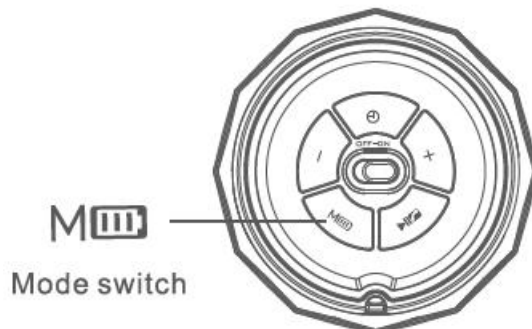
3. “+”

Quick press for Volume+, press and hold it for Next track.



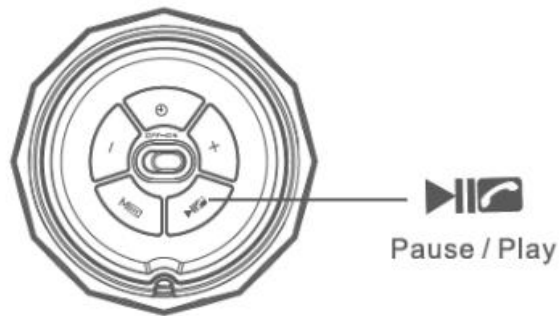
4. “ ”

Quick press  means to switch three modes: Bluetooth, TF Card and AUX in. Press and hold it , then the green light will be on (There are electricity display totally 3 levels, if there are 2 levels of green light on, that means electricity is 66%; if all on, that means full battery.)



5. “  ”

Quick press Pause/Play key to play music or answer the incoming call. Press and hold to reject the call.

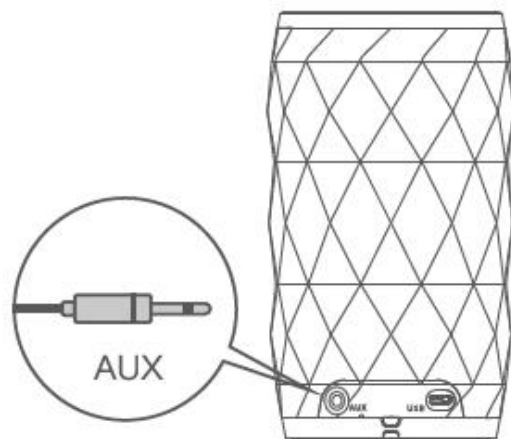


6. MIC

Microphone for mobile hands free communication.

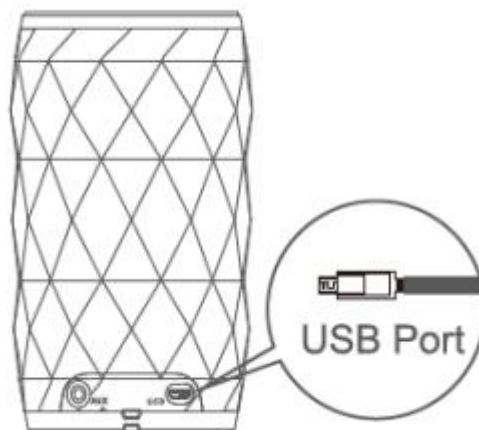
7. AUX

AUX Audio Input, which can connect with mobile phones or audio source for music playback.



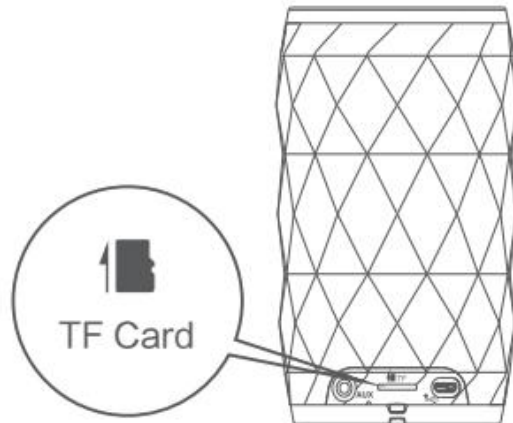
8. USB

Charging and data input interface, which can connect computer for USB sound card function.



9. TF card

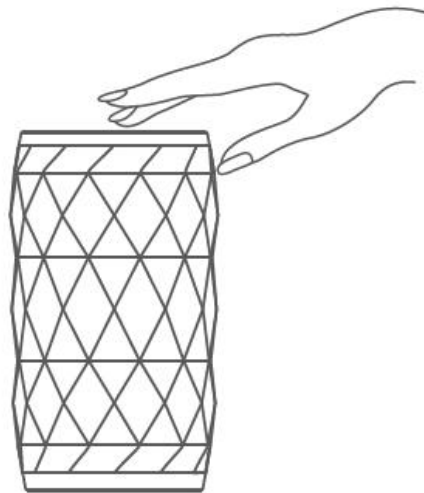
Insert the TF card into the speaker. It can playback the music files (MP3 format) stored in the TF card.



10. Light Mode

There are six light modes. You can change the light mode by touching the top of the speaker.

- ① Gradient (Three colors)
- ② Gradient (Two colors)
- ③ Neon
- ④ Pulse with music
- ⑤ Natural transaction between colors
- ⑥ Tetris



P.S. When charging the speaker, the light flashes regularly. When the speaker gets fully charged, the light mode stops changing colors and becomes three solid green section. You can also touch the top panel of the speaker to go back to previous light mode during charging process. Press & hold the top panel of the speaker for three seconds to turn off this light mode, and press & hold it for three seconds again to turn on the light.

Technical Parameters:

Bluetooth Version: V2.1+EDR
Bluetooth Range: 10M
Output power: 4.2W RMS
Play Modes: Bluetooth, AUX IN, TF Card, USB
Maximum SPL: 86dB
Frequency Response: 100Hz to 18KHz
Battery: Li-ion Battery 3.7V 2000mAh
Music Playing Time: 7H (default volume)
Charging Time: 3H
Rated Voltage: DC 5V 1A
Size: Φ 80*H139mm
Weight: 137g



Important Safety Instructions

- ▶ If do not use this speaker for long time, please charge at least once within one month, in order to prevent the lithium battery from causing and damaging because of excessive consumption.
- ▶ Keep the speaker away from any sources of heat, and keep away from water
- ▶ Adjust the volume to a suitable level so as to avoid damaging your hearing
- ▶ The red indicator will flash when the battery is low, please charge the speaker in time.

This device complies with part 15 of the FCC Rules. Operation is subject to the condition that this device does not cause harmful interference (1) this device may not cause harmful interference, and (2) this device must accept any interference received, including interference that may cause undesired operation.

Changes or modifications not expressly approved by the party responsible for compliance could void the user's authority to operate the equipment.

NOTE: This equipment has been tested and found to comply with the limits for a Class B digital device, pursuant to Part 15 of the FCC Rules. These limits are designed to provide reasonable protection against harmful interference in a residential installation. This equipment generates, uses and can radiate radio frequency energy and, if not installed and used in accordance with the instructions, may cause harmful interference to radio communications. However, there is no guarantee that interference will not occur in a particular installation.

If this equipment does cause harmful interference to radio or television reception, which can be determined by turning the equipment off and on, the user is encouraged to try to correct the interference by one or more of the following measures:

- Reorient or relocate the receiving antenna.
- Increase the separation between the equipment and receiver.
- Connect the equipment into an outlet on a circuit different from that to which the receiver is connected.
- Consult the dealer or an experienced radio/TV technician for help.

The device has been evaluated to meet general RF exposure requirement. The device can be used in portable exposure condition without restriction.

FCC ID: 2AECY-S-75

Technical Parameters:

Bluetooth Version: V2.1+EDR
Bluetooth Range: 10M
Output power: 4.2W RMS
Play Modes: Bluetooth, AUX IN, TF Card, USB
Maximum SPL: 86dB
Frequency Response: 100Hz to 18KHz
Battery: Li-ion Battery 3.7V 2000mAh
Music Playing Time: 7H (default volume)
Charging Time: 3H
Rated Voltage: DC 5V 1A
Size: Φ 80*H139mm
Weight: 137g



Important Safety Instructions

- ▶ If do not use this speaker for long time, please charge at least once within one month, in order to prevent the lithium battery from causing and damaging because of excessive consumption.
- ▶ Keep the speaker away from any sources of heat, and keep away from water
- ▶ Adjust the volume to a suitable level so as to avoid damaging your hearing
- ▶ The red indicator will flash when the battery is low, please charge the speaker in time.

This device complies with part 15 of the FCC Rules. Operation is subject to the following two conditions: (1) this device may not cause harmful interference, and (2) this device must accept any interference received, including interference that may cause undesired operation.

Changes or modifications not expressly approved by the party responsible for compliance could void the user's authority to operate the equipment.

NOTE: This equipment has been tested and found to comply with the limits for a Class B digital device, pursuant to Part 15 of the FCC Rules. These limits are designed to provide reasonable protection against harmful interference in a residential installation. This equipment generates, uses and can radiate radio frequency energy and, if not installed and used in accordance with the instructions, may cause harmful interference to radio communications. However, there is no guarantee that interference will not occur in a particular installation.

If this equipment does cause harmful interference to radio or television reception, which can be determined by turning the equipment off and on, the user is encouraged to try to correct the interference by one or more of the following measures:

- Reorient or relocate the receiving antenna.
- Increase the separation between the equipment and receiver.
- Connect the equipment into an outlet on a circuit different from that to which the receiver is connected.
- Consult the dealer or an experienced radio/TV technician for help.

The device has been evaluated to meet general RF exposure requirement. The device can be used in portable exposure condition without restriction.

FCC ID: 2AECY-S-75