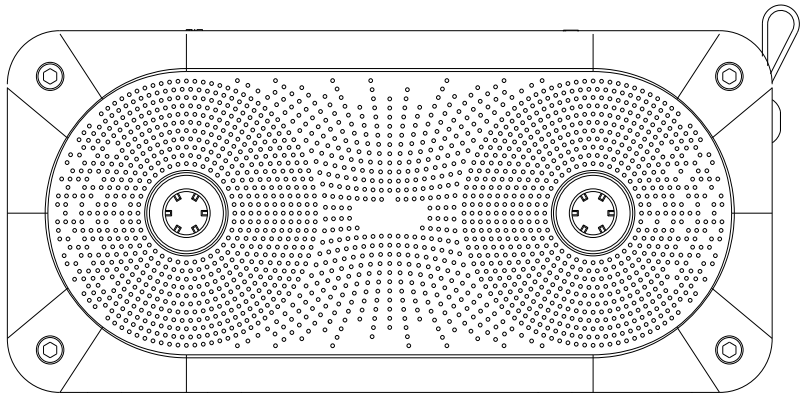


# SOAIY®



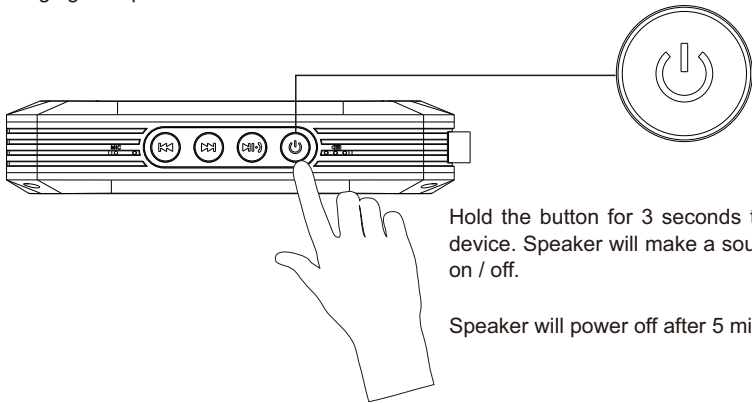
Quick Start Guide

Bluetooth Speaker **X6**

## Power ON/OFF Operation

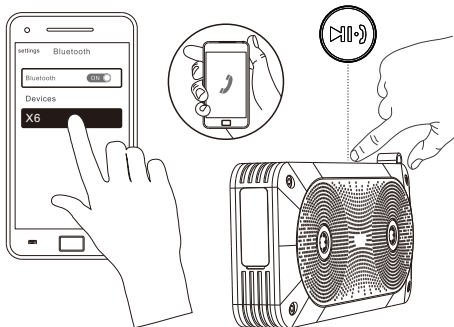
1

Charging the speaker before first use is recommended.



Hold the button for 3 seconds to turn on / off the device. Speaker will make a sound when powering on / off.

Speaker will power off after 5 minutes of inactivity.






### Bluetooth Pairing: First Pairing (a)

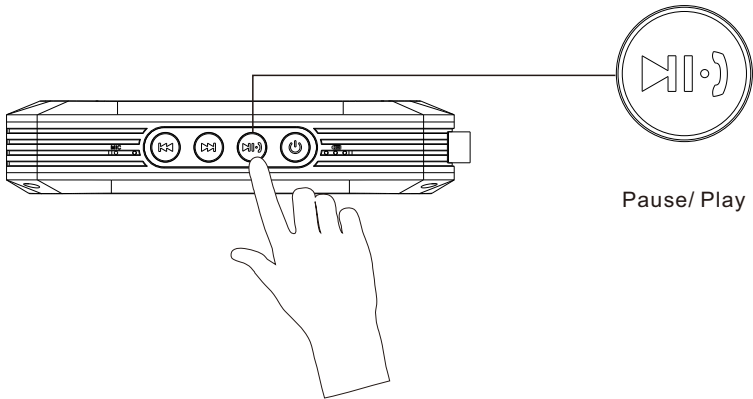
(Can use the reset button to clear any existing connections)

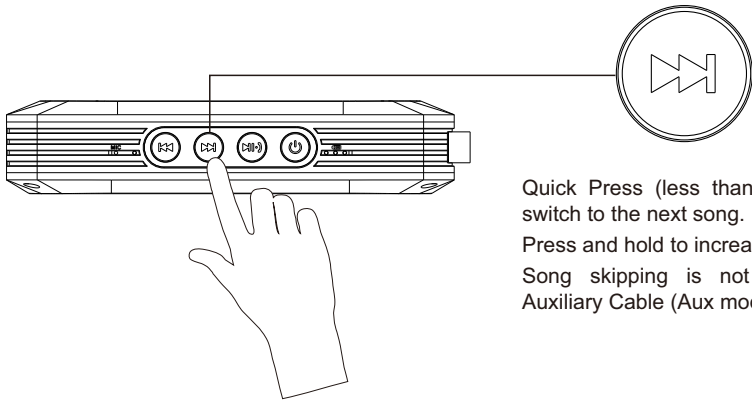
- 1) Turn on Bluetooth on phone/pc/tablet/etc...
- 2) Turn on Speaker (Make sure speaker has power)
- 3) Search for Bluetooth signal name: X6 (On your device)
- 4) Tap on X6 on the screen

Android users may need to reset phone if both channels are unable to connect.

Connect the speaker with your mobile device via Bluetooth. Short Press  button to answer the phone call. After answering the call, press  again to end the phone call. Double tap  to reject a call.

Bluetooth button functions depends upon the Application and Operating System of Phone.

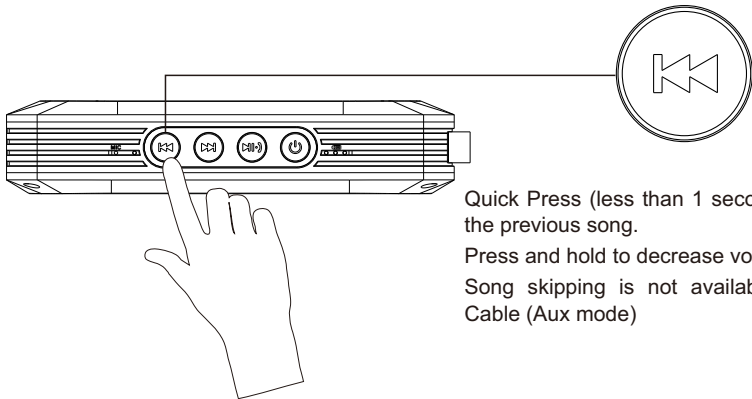




Quick Press (less than 1 second) to switch to the next song.

Press and hold to increase volume.

Song skipping is not available for Auxiliary Cable (Aux mode)

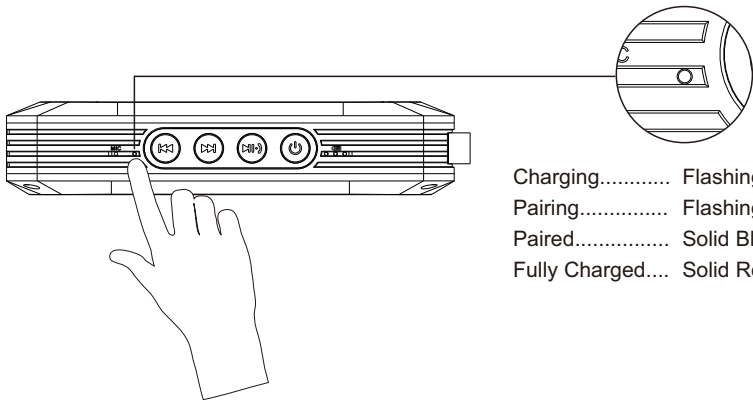


Quick Press (less than 1 second) to switch to the previous song.

Press and hold to decrease volume.

Song skipping is not available for Auxiliary Cable (Aux mode)

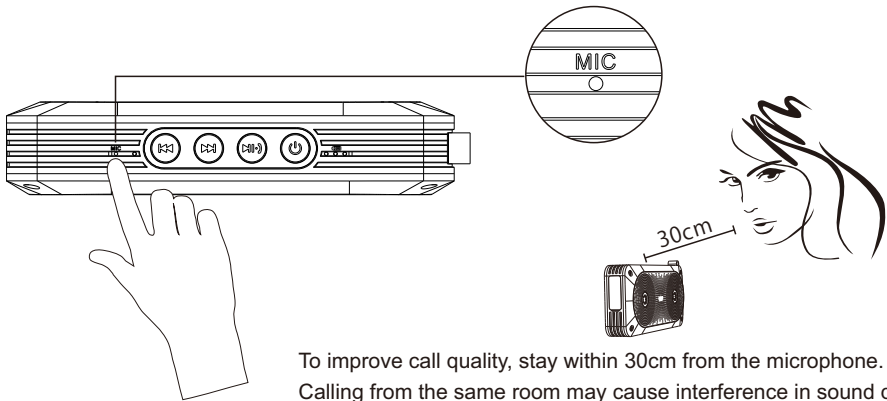
## Indicator LED Lights



- |                   |                       |
|-------------------|-----------------------|
| Charging.....     | Flashing Red          |
| Pairing.....      | Flashing Red and Blue |
| Paired.....       | Solid Blue            |
| Fully Charged.... | Solid Red             |

## Microphone Hole

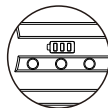
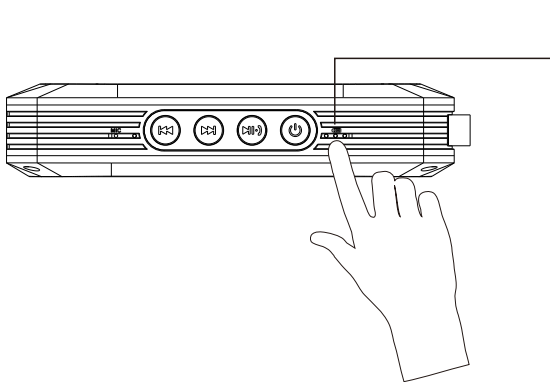
7



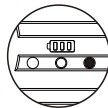
To improve call quality, stay within 30cm from the microphone.  
Calling from the same room may cause interference in sound quality.



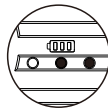
## Battery LED Indicators



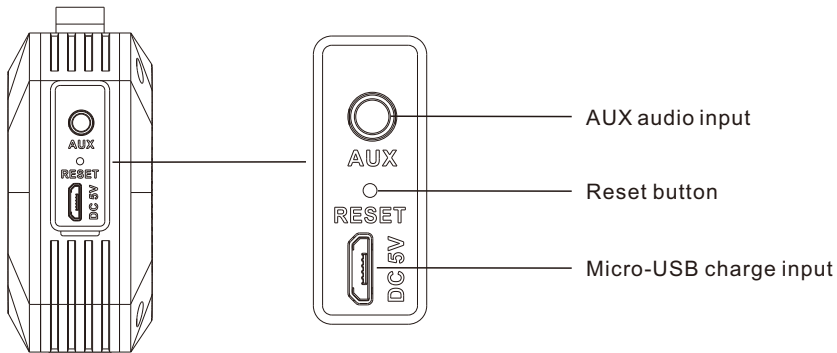
Three Solid LED Indicators:  
Battery is fully charged.

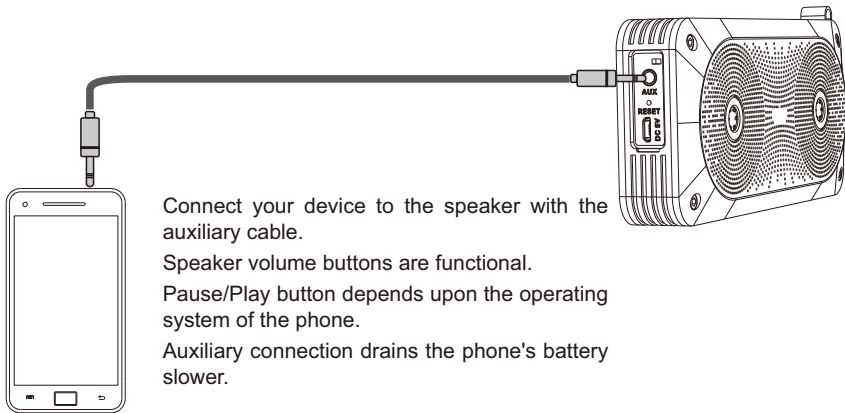


Two Solid LED Indicators:  
Battery capacity is around  
60%.



One Solid LED Indicator:  
Battery capacity is less than  
30%.  
Recharging recommended.



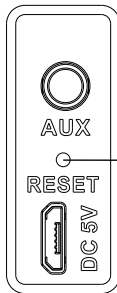


Connect your device to the speaker with the auxiliary cable.

Speaker volume buttons are functional.

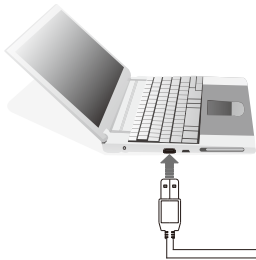
Pause/Play button depends upon the operating system of the phone.

Auxiliary connection drains the phone's battery slower.



Press reset button with the help of a paper clip or something similar.

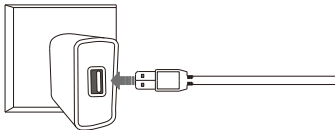
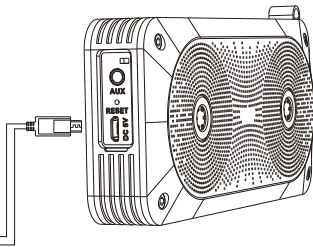
Reset will reset the speaker and Bluetooth connection.



It is possible to charge from a computer.

Computer's USB is generally the slowest method.

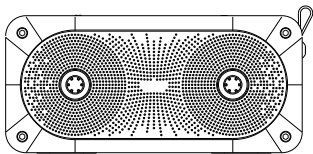
Charging slowly means a longer lasting battery.



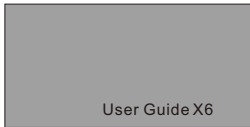
USB is fairly universal as most USB plugs have already been converted for 5V. Always check with power source.

Charging is possible through: Computer, Power Bank, Car Charger, Wall plug.

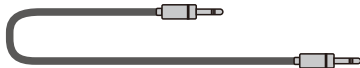
## Package Contents



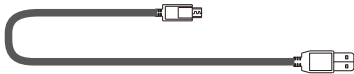
X6



User Guide



3.5mm Audio Cable



Micro-USB to USB Charge Cable

## FCC Note

This device complies with part 15 of the FCC Rules. Operation is subject to the condition that this device does not cause harmful interference (1) this device may not cause harmful interference, and (2) this device must accept any interference received, including interference that may cause undesired operation.

Changes or modifications not expressly approved by the party responsible for compliance could void the user's authority to operate the equipment.

NOTE: This equipment has been tested and found to comply with the limits for a Class B digital device, pursuant to Part 15 of the FCC Rules. These limits are designed to provide reasonable protection against harmful interference in a residential installation. This equipment generates, uses and can radiate radio frequency energy and, if not installed and used in accordance with the instructions, may cause harmful interference to radio communications. However, there is no guarantee that interference will not occur in a particular installation. If this equipment does cause harmful interference to radio or television reception, which can be determined by turning the equipment off and on, the user is encouraged to try to correct the interference by one or more of the following measures:

- Reorient or relocate the receiving antenna.
- Increase the separation between the equipment and receiver.
- Connect the equipment into an outlet on a circuit different from that to which the receiver is connected.
- Consult the dealer or an experienced radio/TV technician for help.

The device has been evaluated to meet general RF exposure requirement. The device can be used in portable exposure condition without restriction.

FCC ID: 2AECY-X6

Bluetooth Version	2.1+EDR	Frequency Response	80Hz to 19KHz
Output Power	3.5W+3.5W RMS	Maximum SPL	88dB
Impedance	4Ω	Net weight	210g
Dimension	L145*W30 *H66.3 mm	Charging time	2~3 hours
Battery	Li-ion battery 3.7V 1000mAh	Play time	5 hours (default volume)





## Important Safety Instructions

- ▶ If do not use this speaker for long time, please charge at least once within one month, in order to prevent the lithium battery from causing and damaging because of excessive consumption.
- ▶ Keep the speaker away from any sources of heat, and keep away from water.
- ▶ Adjust the volume to a suitable level so as to avoid damaging your hearing, or the unit itself.
- ▶ The red indicator will flash when the battery is low, Please charge the speaker in time.

Supervised by Guangzhou Soaiy Digital Technology Co., Ltd  
Manufactured by Shenzhen Soaiy Technology Co., Ltd

ADD: 2&4/F, Bldg D, Fuxinlin Industrial park, Hangcheng Industrial  
Zone, Xixiang Street, Bao'an District, Shenzhen, China

Website: [www.soaiyaudio.com](http://www.soaiyaudio.com)

Email: [sales@soaiyaudio.com](mailto:sales@soaiyaudio.com)



[www.soaiyaudio.com](http://www.soaiyaudio.com)