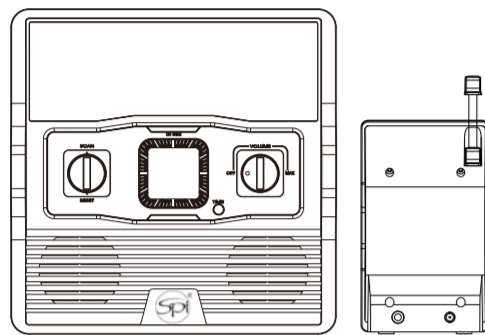


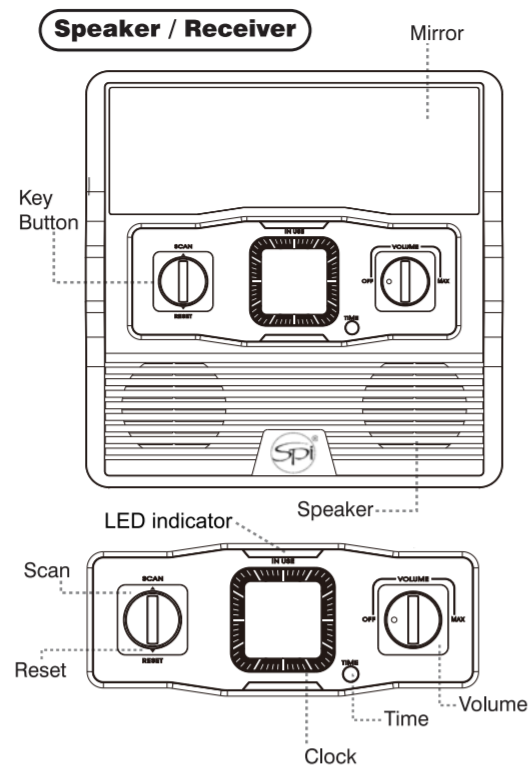


WIRELESS BATHROOM SPEAKER WITH RADIO INSTRUCTIONS

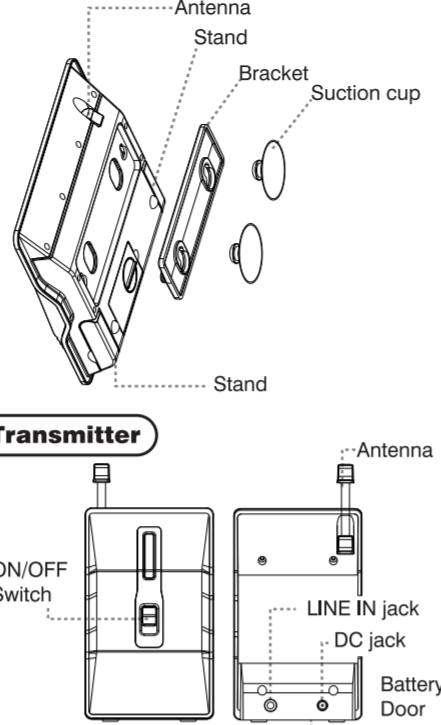


fold

FUNCTIONS



fold



fold

INSTALLING BATTERIES AND BATTERY SAFETY

- This product requires:-
- 3 x AAA (LR03) alkaline batteries for the transmitter
 - 4 x AAA (LR03) alkaline batteries for the speaker/receiver
 - 1 x LR44 (AG13) button cell battery for the clock

Transmitter

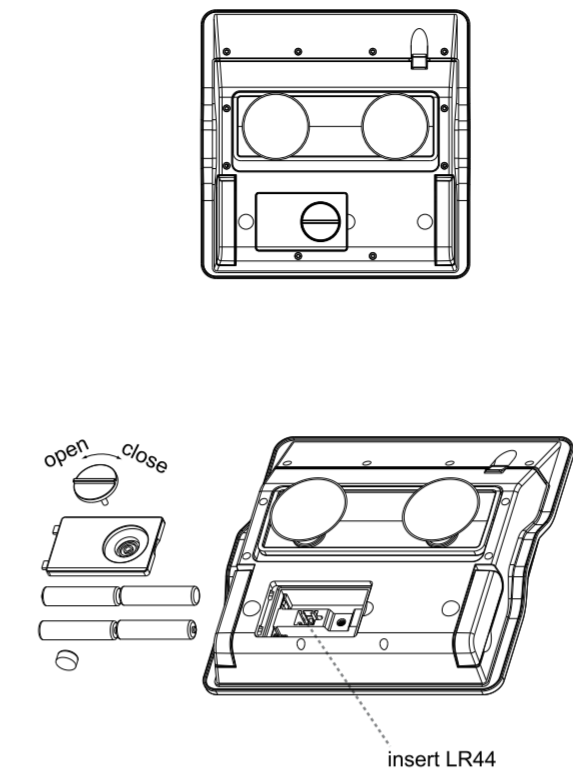
To insert the batteries, open the battery compartment at the base of the unit. Insert 3 x AAA batteries, ensuring that they are fitted the right way round observing + and - signs on the battery and the product, taking care not to damage the battery or contacts. Ensure battery compartment lid is securely replaced.

Transmitting range: up to 50 feet

Speaker / Receiver

To insert the batteries, open the battery compartment and unscrew. Insert 4 x AAA batteries for the speaker/receiver and 1 x LR44 button cell battery for the clock, ensuring that they are fitted the right way round observing + and - signs on the battery and the product, taking care not to damage the battery or contacts. Ensure battery compartment lid is securely replaced.

fold



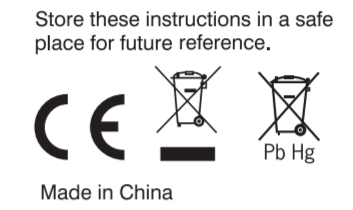
fold

90 Days Limited Warranty

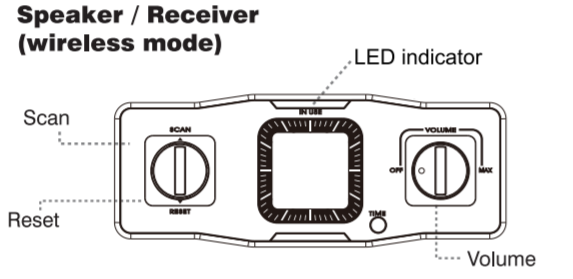
Returns For Service
Return the product postpaid and insured, indicating the reasons for service to:

SPI, Inc.
c/o Technical Support
3506 Cedar Springs Rd.
Dallas, TX 75219

Please call 1-800-322-0688 to obtain Return Authorization Number PRIOR to sending product back. You must also submit proof of original purchase as well as original UPC barcode with all returns (see below for example of barcode). No returns will be accepted without return authorization number. The authorization number must be visible on your return envelope. A return postage paid envelope must be included. Your new or repaired shower radio will be shipped within two weeks.



fold



- Turn the VOLUME dial clockwise to switch the radio on. The LED indicator will light up.
- Press the RESET button once.
- Press the SCAN button once to receive audio from the transmitter.

fold

NOTES FOR RECEPTION QUALITY

If the reception of the speaker is poor resulting in noise, it may be caused by the interference of other devices. Please relocate the transmitter and try again. The battery level can also affect the reception quality. Replace the batteries as advised in the installing batteries and battery safety section.

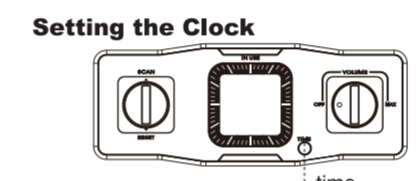
AVOIDING INTERFERENCE

The speaker system may use the same radio frequencies as other devices in your home. It may cause potential interference and affect the quality of the reception. If you experience static noise in your playback, relocate the transmitted and try again.

FM RADIO MODE

- Transmitter is not necessary. Make sure it is turned OFF.
- Turn the VOLUME dial clockwise to switch the radio ON. The LED indicator will light up.
- Extend the antenna at the back of the main unit for better reception.
- Press RESET button once to begin at lowest available FM station.
- Press SCAN button to search for desired radio station.

fold



- Press the TIME button. The minute arm of the clock display will automatically forward.
- Release when you have reached the desired time.

NOTE: To preserve the battery life, ensure both units are switched off when not in use.

- BATTERY WARNING**
- Do not mix alkaline, standard (carbon-zinc) and rechargeable batteries (nickel hydride).
 - Do not mix old and new batteries.
 - Non-rechargeable batteries are not to be recharged.
 - Rechargeable batteries are to be removed from the unit before being charged (if removable).
 - Rechargeable batteries are only to be charged under adult supervision (if removable).
 - Exhausted batteries are to be removed.
 - The supply terminals are not to be short-circuited.
 - Only batteries of the same or equivalent type as recommended are to be used.
 - Batteries are to be inserted with the correct polarity (see diagram).

KEEP THIS PACKAGE FOR REFERENCE AS IT CONTAINS IMPORTANT INFORMATION.

fold

WARNINGS:

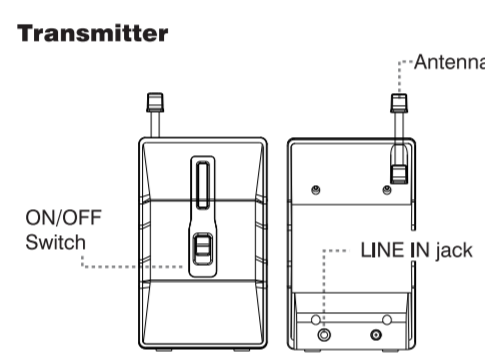
- Keep small batteries out of the reach of young children.
- Seek medical advice if you believe a small cell has been swallowed
- Follow instructions carefully and always use the recommended type of batteries.
- Do not allow children to fit batteries without adult supervision.
- Replace all batteries at the same time. Do not mix old and new batteries or batteries of different types.
- Take care to switch off equipment after use.
- Store batteries away from metal objects. Never short circuit batteries.
- Remove batteries if product is not going to be used for an extended periods of time.

FCC information

This equipment has been tested and found to comply with the limits for the class B digital Device, pursuant to part 15 of the FCC Rules. These limits are designed to provide reasonable protection against harmful interference in a residential installation. This equipment generated, uses, and can radio frequency energy and, if not installed and used in accordance with the instructions, may cause harmful interference to radio communications however, there is no guarantee that interference will not occur in a particular installation.

fold

SETTING OPERATION



- Connect the cable to the audio device (ie, MP3 player, CD player) and the LINE IN jack on the transmitter.
- Turn on the audio device and adjust to the desired volume.
- Extend the antenna to full length.
- Slide the ON/OFF switch to the 'ON' position.

CAUTIONS:

Changes or modifications not expressly approved by the party responsible for compliance could void the user's authority to operate the equipment.

fold

fold

fold

fold

Front

Back