



*Master Meter, Inc.
101 Regency Parkway
Mansfield, TX 76063*

*800-765-6518 Toll Free
817-842-8000 Main Line
817-842-8050 Voice Mail
817-842-8100 FAX*

Universal 2 User Guide

FCC ID: NTAXMETER31

Manufacturer: Telematics-Wireless Ltd.

Rev 1.0

October 21, 2010



Master Meter, Inc.
101 Regency Parkway
Mansfield, TX 76063

800-765-6518 Toll Free
817-842-8000 Main Line
817-842-8050 Voice Mail
817-842-8100 FAX

CAUTION:

The User and the Installer should be aware that changes and modifications to the equipment not expressly approved by Master Meter could void warranty and the user's authority to operate the equipment.

Professionally trained personnel should install the equipment.



The antenna used for this transmitter must be installed to normally provide minimum separation distance of at least 20 cm from all persons and must not be co-located or operating in conjunction with any other antenna or transmitter.

ATTENTION:

The digital portion of the transceiver has been tested and found to comply with the limits for a Class B digital device, pursuant to part 15 of the FCC Rules. These limits are designed to provide reasonable protection against harmful interference in a residential installation. This equipment generates uses and can radiate radio frequency energy and, if not installed and used in accordance with the instructions, may cause harmful interference to radio communications. However, there is no guarantee that interference will not occur in a particular installation. If this equipment does cause harmful interference to radio or television reception, which can be determined by turning the equipment off and on, the user is encouraged to try to correct the interference by one or more of the following measures:

- 1) Reorient or relocate the receiving antenna.
- 2) Increase the separation between the equipment and receiver.
- 3) Connect the equipment into an outlet on a circuit different from that to which the receiver is connected.
- 4) Consult the dealer or an experienced radio/TV technician for help.

This device complies with Part 15 of FCC Rules. Operation is subject to the following two conditions:

- (1) *This device may not cause harmful interference, and*
- (2) *This device must accept any interference received, including interference that may cause undesired operation.*

Transmission Duty Cycle

The Universal 2 unit transmission duty cycle is limited by its design not to exceed 1.0%





Master Meter, Inc.
101 Regency Parkway
Mansfield, TX 76063

800-765-6518 Toll Free
817-842-8000 Main Line
817-842-8050 Voice Mail
817-842-8100 FAX

1 - Place Setting

- *The Universal Dialog 3G unit can be wall mounted in an external open site or within buildings*

Note:

The Universal Dialog 3G data transmission may be adversely affected if it is installed close to RF or EM noise generators, for example: air conditioner units, electric generator, radio transmitter, car parking and others. If you encounter such problems, please consult Master Meter Service representative for technical assistance.



*Master Meter, Inc.
101 Regency Parkway
Mansfield, TX 76063*

*800-765-6518 Toll Free
817-842-8000 Main Line
817-842-8050 Voice Mail
817-842-8100 FAX*

2 – Kit Contents

<i>Quantity</i>	<i>Name</i>
<i>1</i>	<i>Universal Dialog 3G unit</i>
<i>4</i>	<i>Seal Cover</i>
<i>4</i>	<i>Tapping screw</i>
<i>4</i>	<i>Plastic masonry insert</i>
<i>1</i>	<i>ID label sticker for meter identity</i>



Master Meter, Inc.
101 Regency Parkway
Mansfield, TX 76063

800-765-6518 Toll Free
817-842-8000 Main Line
817-842-8050 Voice Mail
817-842-8100 FAX

Universal Dialog 3G unit –Profile #1

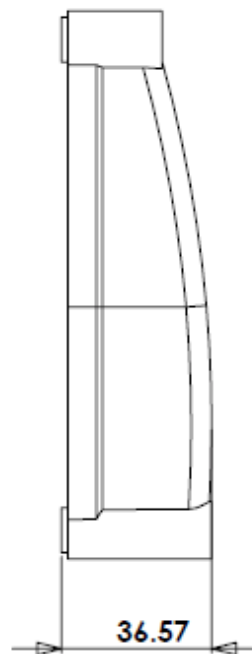
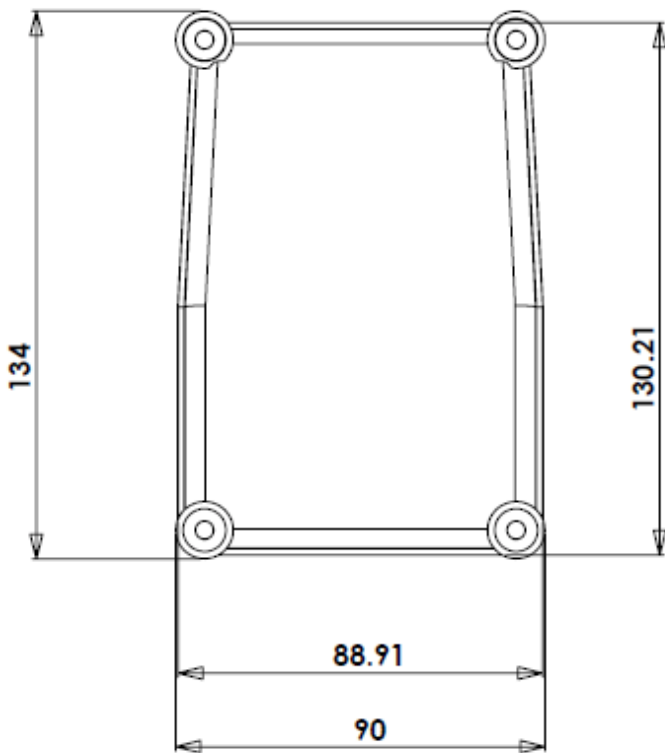




Master Meter, Inc.
101 Regency Parkway
Mansfield, TX 76063

800-765-6518 Toll Free
817-842-8000 Main Line
817-842-8050 Voice Mail
817-842-8100 FAX

Universal Dialog 3G unit –Profile #2





Master Meter, Inc.
101 Regency Parkway
Mansfield, TX 76063

800-765-6518 Toll Free
817-842-8000 Main Line
817-842-8050 Voice Mail
817-842-8100 FAX

3 – Installation Procedure

The Universal Dialog 3G is intended for wall installation in open sites and buildings.

1. *Mark the locations of the four screws on the wall, according to the holes in the enclosure of the unit.*
2. *Drill 4 holes and insert the Plastic masonry inserts.*
3. *Connect the unit with the four screw supplied.*
4. *Seal the screw holes with the supplied screw covers.*
5. *Connect the wires of the unit according to the connection guide in section 4.*



Master Meter, Inc.
101 Regency Parkway
Mansfield, TX 76063

800-765-6518 Toll Free
817-842-8000 Main Line
817-842-8050 Voice Mail
817-842-8100 FAX

4 – Connection Guide

The Universal Dialog 3G can be connected to 4 outputs (2-wire outputs).

- 1. Connect the first wire in each cable to output and the second to GND. There is no significance to colors.*



Master Meter, Inc.
101 Regency Parkway
Mansfield, TX 76063

800-765-6518 Toll Free
817-842-8000 Main Line
817-842-8050 Voice Mail
817-842-8100 FAX

5 – Programming

5.1 – Unit registration

- *The Universal Dialog 3G is ready use when all parameters are programmed and the transmitter is turned on.*
- *Each radio unit is supplied with detachable bar code that should be glued to the document that identifies the specific meter.*



Master Meter, Inc.
101 Regency Parkway
Mansfield, TX 76063

800-765-6518 Toll Free
817-842-8000 Main Line
817-842-8050 Voice Mail
817-842-8100 FAX

5.2 – Unit Programming

Perform the Universal Dialog 3G programming with the help of Handheld PC+MMR-US tool, according the following steps:

1. *Activate the Universal Dialog 3G.*
2. *Check if the Universal Dialog 3G's transmission is OK.*
3. *Enter the user code.*
4. *Program the output pulse value (gallons, cubic-feet, etc.).*
5. *Program the present meter reading.*
6. *If necessary program the meter type.*