

DS-1 / DS-3 / DS-4 (1-Way)
DS-7 (2-Way Paging)
DS-00 (ADD-ON MODULE)
BTR039A
DATA START SYSTEMS



INSTALLATION INSTRUCTIONS

CONGRATULATIONS on your choice of a Data Start™ Remote Engine Starter and Keyless Entry with Data Port Technology by Crimestopper Security Products Inc. This system is designed to be used in conjunction with a Databus Bypass Module and WILL NOT work by itself as a stand alone remote starter. This booklet contains the information necessary for installing your system.

Note: Some features will not be available on units with 1 button, 3 button, and 4 button remotes.

DISCLAIMER:

*This installation book is designed for the installer or individual with an existing understanding of automotive electrical systems, along with the ability to test and connect wires for proper operation. To ease installation, we suggest that you **READ THIS MANUAL** before beginning your installation. This book is provided as a GENERAL GUIDELINE and the information contained herein may differ from your vehicle. Crimestopper Security Products, Inc. and its' vendors shall not be liable for any accident resulting from the use of this product. This system is designed to be professionally installed into a vehicle in which all systems and associated components are in perfect working condition.*

TECHNICAL SUPPORT: (800) 998-6880

Monday - Friday 8:00am - 4:30pm Pacific Std. Time

Web Site: www.crimestopper.com

E-mail: tech-support@crimestopper.com

CRIMESTOPPER SECURITY PRODUCTS, INC.
1770 S. TAPO STREET, SIMI VALLEY, CA. 93063

This device complies with FCC Rules part 15. Operation is subject to the following two conditions: (1) This device may not cause harmful interference, and (2) This device must accept any interference that may be received, including interference that may cause undesired operation. The manufacturer is not responsible for any radio or TV interference caused by unauthorized modifications to this equipment. Such modification could void the user's authority to use the equipment.

REV 08-2012

TABLE OF CONTENTS

<i>Pre-Installation Considerations</i>	2
<i>Installation Cautions & Warnings</i>	3
<i>5 Pin Power Plug</i>	3
<i>Optional 8 Pin Plug</i>	4-5
<i>AUX Channel Output (Trunk release, Dome light or Horn honk)</i>	5
<i>Door Lock Diagrams</i>	6
<i>Smart Tachless Mode</i>	7
<i>Tach Programming Options</i>	8
<i>Option Programming Table</i>	8-9
<i>Option Descriptions</i>	11-15
<i>Antenna Diagram</i>	15
<i>Transmitter Programming and 2 Vehicle Programming</i>	16
<i>Manual Transmission Mode</i>	17
<i>System Wiring Diagram</i>	18
<i>Data Port</i>	19
<i>Remote Start Diagnostics</i>	20

PRE-INSTALLATION CONSIDERATIONS

BEFORE BEGINNING, check all vehicle manufacturer cautions and warnings regarding electrical service (AIR BAGS, ABS BRAKES, ENGINE / BODY COMPUTER AND BATTERY).

PLAN OUT YOUR INSTALLATION and determine most suitable locations for all components to be placed. These components include: the module itself, valet/program button, possible relays, and antenna/receiver (DS-1, DS-3, DS-4 and DS-7 only, the DS-00 model does not include antenna or remotes.) Allow enough wire to create a service loop with strain relief, should servicing be required. This will also allow easier access and mounting.

DAMAGE to the Data Start unit resulting from incorrect installation or failure to follow guidelines stated in this book will not be covered under warranty and will be subject to repair or replacement charges.

USE A VOLT OHM METER to test and locate all connections. Test Lights can damage a vehicle's computer systems.

ADDITIONAL PARTS, which are not included with this unit, may be needed for your particular vehicle. These items may include extra relays or Anti-Theft System Bypass modules.

INSTALLATION CAUTIONS & WARNINGS

This System is a Low Current Remote Start that only works in Data Mode with a Bypass Module.

DO NOT route any wiring that may become entangled with brake, gas pedals, steering column or any other moving parts in the vehicle.

DO NOT exceed the rated output current of any circuit on the Remote start module. Failure to observe this warning will result in damage to the unit not covered under warranty.

DO NOT remote start the vehicle in a closed garage! Make sure that the garage door is open or there is adequate ventilation. Failure to observe this rule could result in injury or death from poisonous Carbon Monoxide fumes.

WIRING 5 Pin Power Plug

RED: 12 Volt Power Source 10 Amp

Connect to a constant power source at battery or fuse box when powering the Pink and Pink/white wire. The ignition switch on many new vehicles have only a 2 or 3 amp power wire so this can not be used. Not necessary to connect when using a Data Module with a "T" harness plug. The data plug can supply 1 amp to operate the electronics.

BLACK: MAIN SYSTEM GROUND

Connect to chassis metal of the vehicle. An existing bolt or screw may provide an adequate ground, or drill a small hole, scrape away paint and attach using a sheet metal screw & star washer. This wire must be connected to a proper ground or undesirable and inconsistent operation will occur. Do not use Factory ground locations.

PINK/WHITE: Programmable Option #4

This is an optional multi-function output wire the can be configured as a Second IGN, ACC or STARTER output. Use Option #4 to select ACC, IGN or STARTER. The DEFAULT setting is IGNITION.

PINK: Ignition Input/Output 10 Amp Max

This is the ignition source for programming system. This also supplies 12 volts out during Ignition and Start for remote starting vehicle. Some data modules supply this function so may not be necessary to connect. Consult installation guide of data module

WHITE: Parking Light Output (-) 500 milliamp

This is used to activate marker lights during remote start and signal remote lock and unlock.

OPTIONAL 8 Pin Plug

This plug is optional and may not be needed with many databus bypass modules. Check the databus guide for latest manual with wiring information before using this plug. These are optional features that may not be included with the bypass module.

YELLOW BLACK OUTPUT: Ground Out when Running (-) 500 milliamp

The Ground Out when Running is required by some bypass modules. This wire turns on when the remote start button is pressed and stays on through the duration of the remote start.

GREEN: LOCK OUTPUT (-) 500 milliamp (See page 6 for basic door lock diagrams).

BLUE: UNLOCK OUTPUT (-) 500 milliamp (See page 6 for basic door lock diagrams).

ORANGE: OEM REARM OUTPUT (-) 500 milliamp

This wire provides a ground pulse to rearm the vehicles' FACTORY anti-theft system after a timed-out or aborted remote start. Connect this wire to the vehicles' anti-theft rearm wire or to the door pin circuit depending on your requirements. This wire may be needed to pulse the door pin circuit on vehicles with retained accessory power.

ORANGE BLACK: OEM DISARM OUTPUT (-) 500 milliamp

This wire provides a Ground pulse to disarm the vehicles' Factory anti-theft system prior to a Remote Start. Connect this wire to the vehicles' anti-theft disarm wire. This wire is sometimes found coming off the Driver's door key switch or at the Factory Anti-theft control module. This wire may not be needed if Factory Security only requires a door unlock pulse.

GRAY: (-) NEGATIVE HOOD SWITCH

Connect the Gray wire to a switch that is at ground when the hood is open. If an existing switch is not available, then we recommend one to be installed. When this wire is grounded, the remote start is inhibited. The unit will not attempt to start if hood is open.

PURPLE: (12V) BRAKE RESET

Connect the Purple wire to the side of brake pedal switch that shows 12 volts ONLY when pedal is depressed. This is the wire that turns off the remote start once the driver's key is in the Ignition and turned to the ON position.

AUX Output (Trunk Release – Dome Light – Horn Honk)

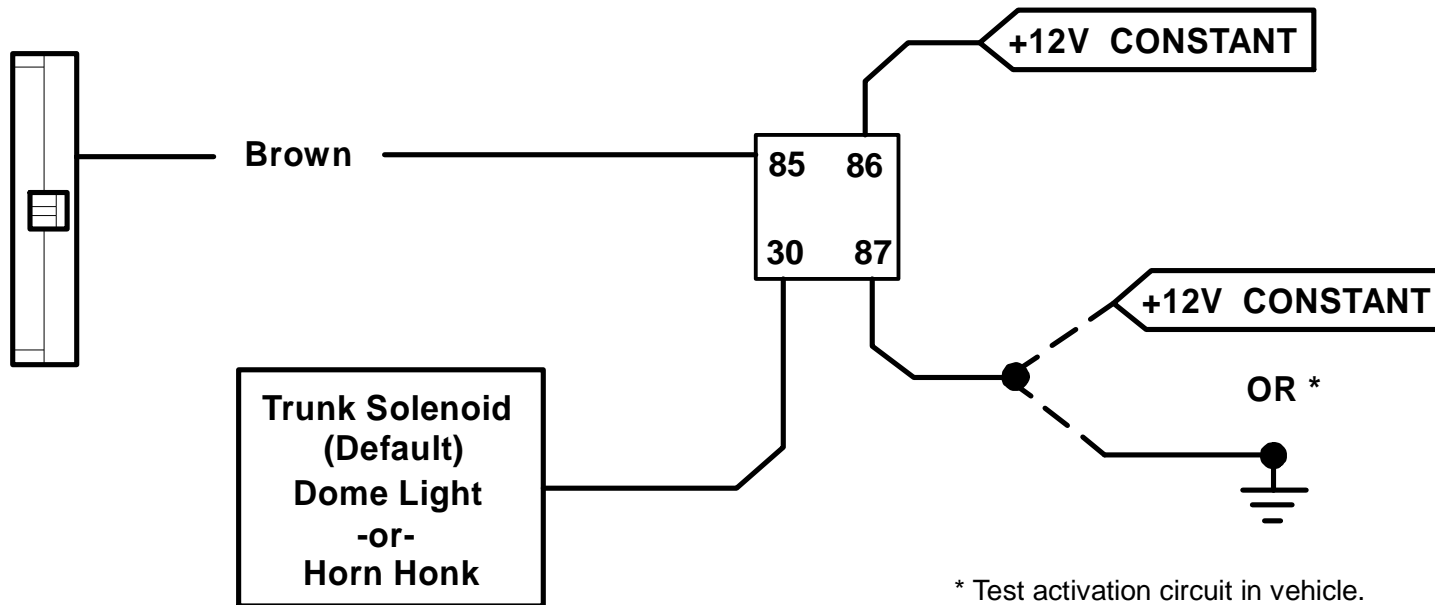
BROWN: AUX OUTPUT (-) 500 milliamp

This output is programmable for 3 modes of operation. See Programming Option #9 Section.

1. 30 second Dome Light output.
2. Momentary ½ second output (Default).
3. Horn Honk output.

Note: Some vehicles like Lexus and Toyota require a 2 to 3 second output for the Trunk Pop to operate. This output is selectable for Momentary ½ second (default) or a Press and Hold function Option 6-3 (output stays on until Transmitter button is released).

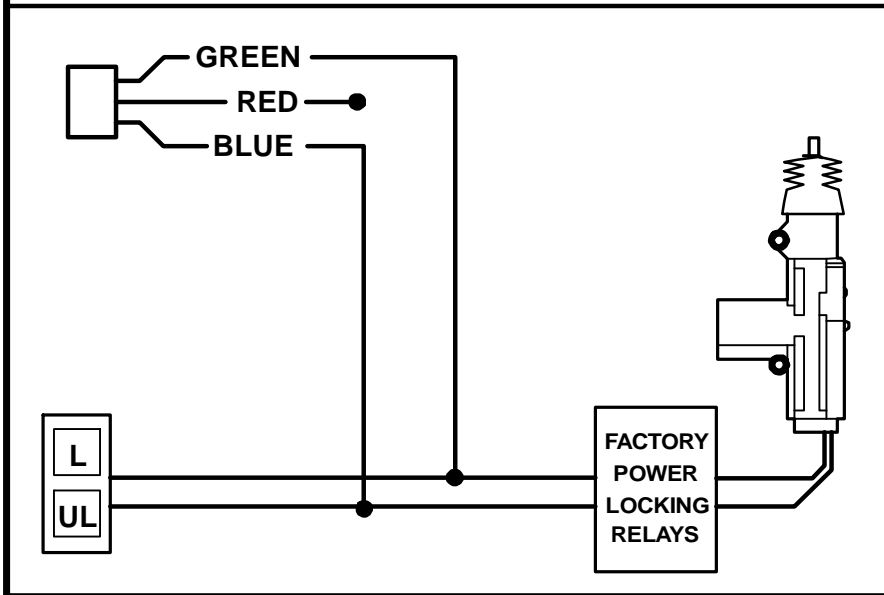
TRUNK OUTPUT or DOME LIGHT or HORN HONK



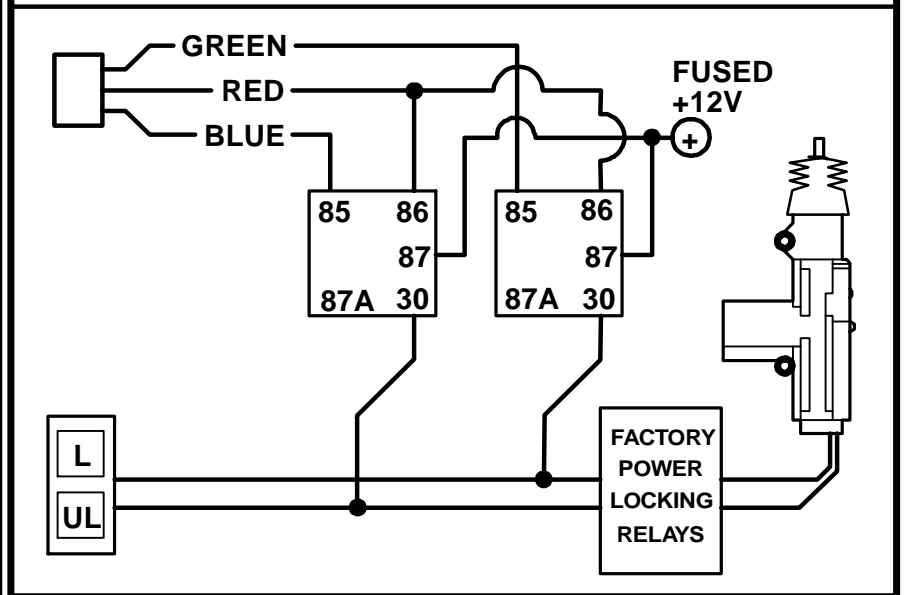
* Test activation circuit in vehicle.
Connect to +12V for Positive circuits
or Ground for Negative circuits. Relay
not included.

DOOR LOCK DIAGRAMS

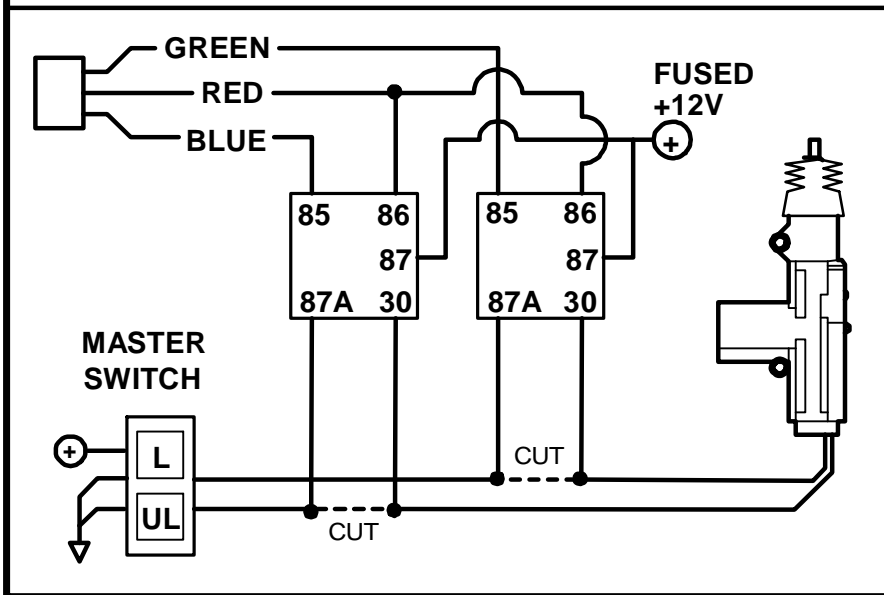
NEGATIVE TRIGGER DOORLOCK WIRING



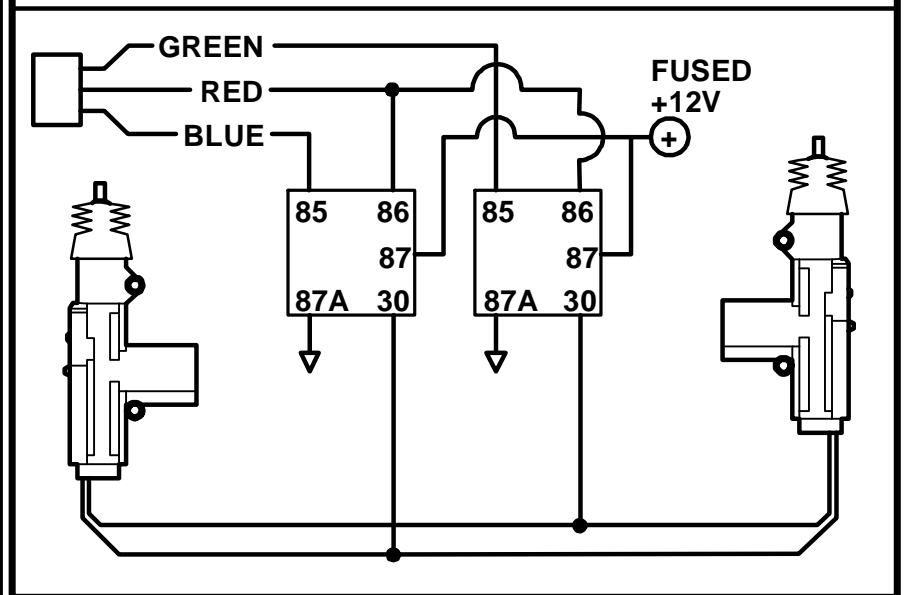
POSITIVE TRIGGER DOORLOCK WIRING



REVERSE POLARITY DOOR LOCK WIRING



AFTERMARKET MOTOR/DOOR LOCK WIRING



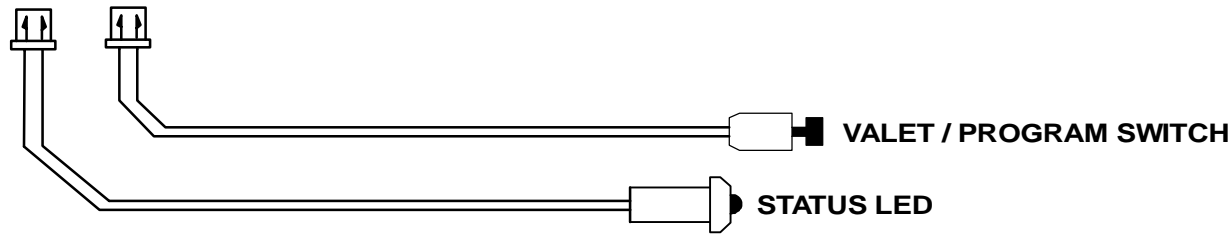
Status LED and Valet Switch

PROGRAM OVERRIDE SWITCH: 2 PIN PLUG (REQUIRED FOR PROGRAMMING & LEARNING REMOTES)

This is a multi-function switch used for programming options, transmitters, Valet mode.

LED: 2 PIN PLUG

The LED is used for Remote Start Diagnostics and a Valet indicator. It will also flash for use as security deterrent.



“SMART TACHLESS” MODE

Your Data Start system includes a unique voltage monitor called “Smart Tachless” mode. This mode allows this unit to efficiently start an engine without the use of a tach signal wire. This module actively monitors the voltage level of the vehicle to control the starter motor each time a remote start is requested.

IMPORTANT NOTES:

(1) On the rare occasion that “Smart Tachless” mode does not operate satisfactorily, change the voltage reference level as described below, or use a different mode such as “Tach” mode, or “Timed Crank” mode.

“SMART TACHLESS” ADJUSTMENT: Option # 21

In the event “Smart Tachless” over-cranks or under-cranks your starter, the settings can be changed. The purpose of adjusting the “Smart Tachless” Mode is to raise or lower the voltage reference threshold from the 93% default point. Raising or lowering this 93% point should increase or decrease your cranking time respectively. The adjustment range is from 79% to 100% in one percent increments. This requires a 4 button remote to change reference.

TACH PROGRAMMING & TACH SIGNALS

INTRODUCTION

This system has 3 methods of monitoring the engine running. Option #1 controls how the system monitors the engine running.

1. **Tach Reference Mode – Monitors Engine R.P.M.** - Most reliable method, see Tach programming below.
2. **Tachless Mode - Default.** When vehicle is remote started, the battery voltage rate will go up because the Alternator starts working. The Tachless Mode is adjustable in 1% increments thru Option 21.
3. Not Used.
4. **Hybrid Mode** – For “Push to Start” vehicles or computer controlled starters. This provides a 4 second crank output to activate the start sequence on Hybrid or Push to Start vehicle. This is a Timed Start Mode. Do Not use on vehicles that can over crank the starter unless you adjust the Starter Crank Time (see option 18).

TACH PROGRAMMING: Data module must supply Tach source to program this option.

1. Start engine with key.
2. Press program button 5 times, then wait for 5 light flashes or park light LED flashes 5 times.
3. Push program button once more. (You must get one light flash after button is pressed.) This unit is now at option #1-Tach Learning.
4. Press the #1 Lock Button on remote transmitter or step on brake. The unit will read the Tach source and flash the lights once for program confirmation. If lights do not flash for confirmation, then the data module doesn't supply a Tach source.

OPTION PROGRAMMING

This Data Start unit has over 26 programmable control options to customize the system for various operating features and installer preferences. Examine the chart on the pages 9-10 along with reading the descriptions that follow on pages 11-15. You may change one option at a time, or program multiple options in one session. If you start with the lowest option and continue on to higher options, you do not need to repeat steps #1-3 each time. For example, you can change Option #2 to “ON”, then you can continue pressing the program button to get to a higher number option and change it as well. You can only go from low to higher options numbers in one session.

OPTION PROGRAMMING

To Engage Option Programming:

1. Turn Ignition Key to the ON position. Do not start vehicle.
2. Press the Program / Valet button 5 times. Wait for the unit to flash the lights or park light LED flashes 5 times.
3. Push the valet program button the number of times that corresponds to the option number desired (1-26X). You must get a light flash after each button press. If the system did not flash the lights and, then it did not register your press. Press carefully and do not lose count.
4. **For DS-3, DS-4, DS-7:** When you reach the desired option #, to change the option: Press button #1 **Lock**, #2 **Unlock**, #3 **Trunk**, #4 **Start**. (Some option numbers use ALL 4 remote buttons to select settings)
5. **For DS-00, DS-1:** (No Lock button) tap the brake pedal to toggle through the option values: Tap brake once (lights flash 1X) Tap the brake pedal again (Lights flash 2X) tap 3 or 4 times for options that have 3 or 4 values.
6. When finished, turn Ignition OFF, and check for changed features.

OPTION PROGRAMMING TABLE

Option #	Option Description	TX Button #1	TX Button #2 Default Value	TX Button #3	TX Button #4
1	Engine Monitoring	Tach (thru data)	*Tachless*		Hybrid
2	Autolock with RPM / Ignition	ON	*OFF*		
3	Door Lock Pulse	3 Seconds	*0.50 Seconds*	Double Unlock	"Wake Up" pulse with Unlock
4	Pink/white Wire Selection	ACC	*IGN*	START	
5	Data Port Protocol	ADS iDatalink - OFA Series	*Fortin - EVO / SL Series*		
6	Remote Start & Trunk Release Button Selection	Double Button Press	*½ Second Press*	Press and Hold	
7	Horn Chirps on Remote Start	ON	*OFF*		

Option #	Option Description	TX Button #1	<i>TX Button #2 Default Value</i>	TX Button #3	TX Button #4
8	Lock with Remote Start / Abort	OFF	<i>*Lock after Remote Start*</i>	Lock after Remote Start / Arm OEM Alarm with Abort	Lock / Arm OEM Alarm with Abort
9	Brown wire function	Dome Light	<i>*Trunk pop*</i>	Horn Honk	
10	Unlock before Remote Start (to Disarm OEM Alarm)	ON	<i>*OFF*</i>		
11	Transmission Type (thru data)	Manual Transmission with Remote Control	<i>*OFF*</i>	Manual Transmission set with Hand Brake	
12	Idle Down Timer	10 Minutes	<i>*20 Minutes*</i>	30 Minutes	Infinity Run
13	Horn Chirp Confirmation	1 Press	<i>*2 Press*</i>		
14	Unlock with Trunk Pop	Unlock/Trunk Pop	<i>*Trunk Pop only*</i>		
15	30 Sec. Park Lights with Unlock	OFF	<i>*ON*</i>		
16	Horn Pulse (Chirp)	15 milliseconds	<i>*20 milliseconds*</i>	40 milliseconds	
17	OEM Interface (thru data)	3 press Lock = Remote Start with OEM remote	<i>*OFF*</i>		
18	Minimum Starter Cranking Time	(-) 0.1 Seconds	<i>*0.8 Seconds*</i>	(+) 0.1 Seconds	(+) 0.4 Seconds
19	Diesel Glow Plug Delay	10 Seconds	<i>*4 Seconds*</i>	15 Seconds	20 Seconds
20	Remote Start Engine Run Time	10 Minutes	<i>*20 Minutes*</i>	30 Minutes	5 Minutes
21	Smart Tachless Voltage Adjustment 79-100%	-1%	<i>*Set to 93% default*</i>	+1%	
22	Turbo Timer Mode	1 Minute	<i>*OFF*</i>	3 Minutes	5 Minutes
23	Unlock on Start Button after Remote Start	Momentary press = Unlock 2 Sec. press = Start / Abort	<i>*OFF*</i>		
24	NOT USED				
25	1-Way or 2-Way System	2-Way	1-Way		
26	Reset Options to Default (*)	<i>Reset Options 1 thru 23 (2 Flashes)</i>			

OPTION DESCRIPTIONS

1. Engine Monitoring:

This option controls how the system monitors the engine running. You can program for Tachless mode that monitors battery voltage, Tach mode in which the unit uses a Tach signal (RPM) or for Timed Crank as an alternative. There are 4 choices for this option:

1. Engine R.P.M. (Tach) - Most reliable method. Tach must be programmed for this option to work.
2. **Tachless Mode - Default.** When vehicle is remote started, the battery voltage rate will go up because the Alternator starts working. The Tachless Mode is adjustable in 1% increments thru Option 21.
3. Blank – No Function
4. Hybrid Mode – For electric motors that are computer controlled. This provides a 4.0 second crank output to activate the start sequence on Hybrid vehicle. Don't use on vehicles with gas or diesel engine, doesn't monitor engine running or low battery voltage. Option #18 allows you to shorten starter crank time if necessary.

2. AUTO LOCK and UNLOCK with IGNITION:

This feature controls whether the doors will automatically lock when the ignition is turned on and unlock when the ignition is turned off. If the system is in Tach mode, then the doors will lock as the engine RPM's increase (driving). Some vehicles already have this feature from the factory you should turn off this option. *Doors will not lock if they are open to prevent locking the keys in.* There are 2 choices:

1. OFF = No Lock or Unlock with ignition.
2. **Ignition ON = Lock, Ignition OFF = Unlock - Default.**

3. DOOR LOCKS:

This option sets how the door lock circuit works. There are 4 choices:

1. 3 Second Lock and Unlock - For older European vehicles that require a long lock and unlock pulse to operate Vacuum door lock systems.
2. **0.5 Second Lock and Unlock - Default.**
3. Double Unlock – This feature may be required to interface with a factory alarm or keyless entry system. The first pulse disarms the factory alarm; the 2nd pulse unlocks the doors.
4. "Wake Up" pulse on Unlock - 0.5 second unlock pulse along with Ignition, Disarm and (-) RUN to wake up a BCM. This feature may be required to interface with a factory alarm or keyless entry system.

OPTION DESCRIPTIONS

4. PINK / WHITE WIRE SELECTION:

This option controls the Pink / White wire function.

1. Pink / White = Accessory 2
2. **Pink / White = Ignition 2 - Default.**
3. Pink / White = Start 2

5. DATA PORT PROTOCOL: *ADS iDataLink or EVO / SL Series*

This option controls the Data Port Protocol for ADS / OFA Series modules or EVO / SL Series modules. The default is set for EVO / SL Series Protocol. This option has no effect on conventional wiring of Bypass modules. Both Data Protocols are 2-Way communication.

6. REMOTE START & AUX OUTPUT: Button Press Selection:

To eliminate the possibility of accidentally opening the trunk or starting the vehicle, there are (3) options for button press selection. This option will allow you to change whether the Remote starter and Trunk release activate by a:

1. Double button - ½ second presses.
2. **Single ½ second press - Default.**
3. Press and Hold 2 seconds. Note: AUX output will stay on until TX button is released

7. HORN CHIRPS with REMOTE START ACTIVATION:

This option allows the unit to provide 3 short chirps for audible confirmation of a remote start. The horn output wire must be connected for this feature. **Default = OFF.**

8. LOCK with REMOTE START:

This option controls whether the unit will automatically lock during and after a remote Start abort or time-out. There are 4 choices for this option:

1. OFF
2. **Lock with Remote Start Only - Default.**
3. Lock with Remote Start and Lock / Arm with Remote Start Abort - Default.
4. Lock / Arm with Remote Start Abort only

9. BROWN WIRE FUNCTION: AUX 1 - Trunk Release, Dome Light or Horn Honk Output:

This option controls how the Brown output wire of the unit functions. There are 3 choices for this option. This output can be programmed for 30 second Dome Light with unlock, Trunk Release or Horn Honk.

Default = Trunk Release

OPTION DESCRIPTIONS

10. UNLOCK BEFORE REMOTE START:

This option is used to disarm an OEM Alarm System before Remote Start. **Default = OFF**

11. TRANSMISSION TYPE: Requires Tach Mode Programmed

This option selects automatic or manual transmission mode in Data Mode only

1. Manual Shift Transmission - Requires Remote Start Button pressed with Hand Brake Activated.
2. **Automatic Transmission – Default.**
3. Manual Shift Transmission – Starts Exit procedure with Hand Brake Set and engine running.

12. IDLE DOWN RUN TIME:

This feature allows the remote starter to take over operation of a parked vehicle when the ignition key is removed and you exit the vehicle. The vehicle will remain running for the programmed time or until canceled. The choices are: 10, 20, 30 minutes or Infinity Run. **Default = 20 minutes.**

13. HORN CHIRP with LOCK and UNLOCK - 1 or 2 Button Press

This option allows the system to chirp the vehicle horn for Lock/Unlock confirmation on 1 button press or a 2nd press within 3 seconds. The horn output must be connected to use this feature. **Default = 2 Press.**

14. UNLOCK With TRUNK POP:

This option controls whether the system will provide an Unlock / Disarm pulse when the Trunk release is activated from the remote control. This may be required to prevent unnecessary triggering of a factory alarm on some vehicles. **Default = OFF.**

15. PARK LIGHTS ON 30 SECONDS with UNLOCK:

Keeps parking lights on with remote unlock to assist in locating and providing illumination near your vehicle when approaching at night for safety. The parking light also turns off with ignition on. **Default = ON.**

16. HORN PULSE DURATION:

This option allows adjustment the “CHIRP” pulse duration of the car horns. The choices are 15, 20 or 40 milliseconds.

17. OEM Interface (DS-00 Add on Model): 3 Pulse Lock = Start thru Data

This mode allows the system to use the OEM Remote Control to Remote Start or Stop with 3 successive Lock pulses. This feature only works on newer CANBUS vehicle using a Data Module that supports this feature. With this option you can use both the OEM and Crimestopper remote. May require custom programming of Data module.

OPTION DESCRIPTIONS

18. MINIMUM STARTER CRANK TIME: *Default = 0.8 seconds*

This option controls the Minimum Starter Cranking time. This does not affect maximum crank time. This can be adjusted in 0.1 second increments Up or Down from 0.5 to 4 seconds. The starter can still crank up to 4 seconds with a 0.8 setting, depending on Tach or Tachless setting.

TIMED START, use Hybrid Mode (option 1-4) with this option to set a fixed crank time. Please Note: In Hybrid Mode there is only 1 start attempt and the ignition is left on.

19. DIESEL GLOW PLUG DELAY:

This option controls the system's Diesel vehicle interface. Using this option you can select a specific delay time before cranking. Selections: 4, 10, 15 or 20 seconds. ***Default = 4 Seconds***

20. REMOTE START ENGINE RUN TIME: Set engine run time for 10, 20, 30 or 5 minutes as desired.

21. SMART TACHLESS VOLTAGE ADJUSTMENT:

This option controls the voltage reference point when using smart Tachless mode. Pressing the Lock or Trunk buttons on the remote raises or lowers the reference level in 1% increments from 79%-100%. Button #2 (unlock) resets the unit to the factory default reference point of 93%. The default 93% setting works for most vehicles.

22. TURBO TIMER: Using Remote Start Button

The optional Turbo Timer mode allows the Data Start system to keep a Turbo or Turbo Diesel vehicle running for 1, 3 or 5 minutes [selectively] after you remove the key and exit the vehicle. This is handy for turbo cool-down without the need for expensive turbo timers. The ***Default = OFF***.

23. UNLOCK ON START BUTTON:

While remote started, this option allows the remote start button to unlock the doors with a ½ second press.

24. NOT USED

25. 1-WAY or 2-WAY SYSTEM:

This selects 1-Way or 2-Way antenna system. The 1-Way system uses AM transmission. The 2-Way system uses FM transmission. The RF range will be much improved using the FM 2-Way antenna system. You must select this option using the brake pedal or remote control. If you accidentally change system from 1-Way to 2-Way (or vice versa), you need to use the brake pedal to change option 25 back to correct antenna system.

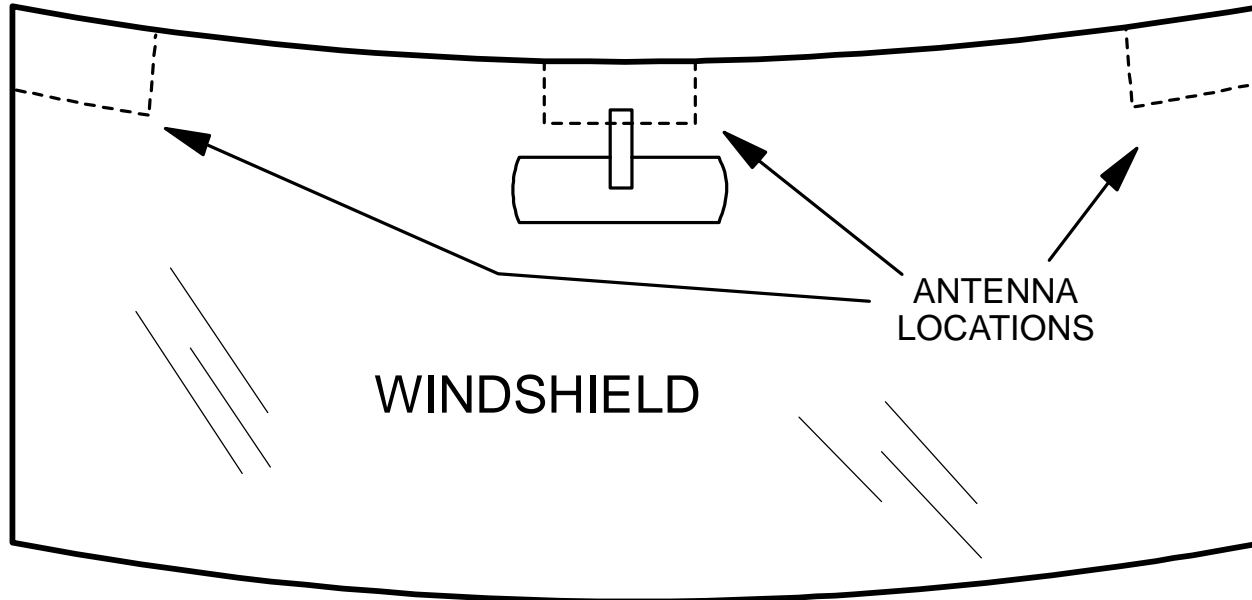
OPTION DESCRIPTIONS

26. OPTION RESET: (RESTORE TO DEFAULT)

This option restores all programmable options 1 thru 23 to factory default. The unit will flash the lights 2 times and all values will be reset to factory original settings. ***Resetting the option table to default does not change the type of antenna system.***

ANTENNA DIAGRAM

Antenna should be located at top of window at least one inch away from metal surface.

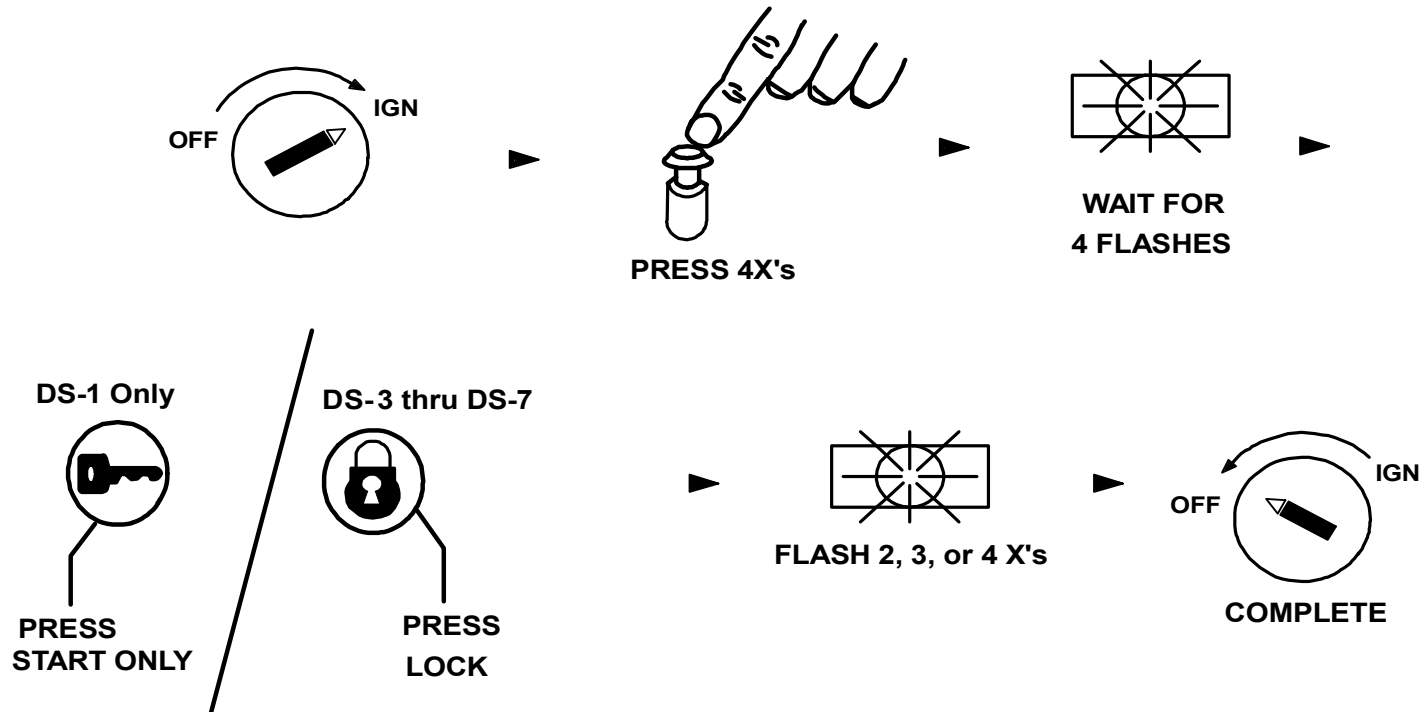


TRANSMITTER PROGRAMMING

Transmitter Programming:

Notes: Remote Transmitters/Transceivers come pre-programmed from the Factory. When re-learning remotes or adding remotes, ALL your system's remote codes must be learned at time of programming!! These systems allow storage of up to 4 different remote codes in memory.

1. Turn Ignition Key to the ON position. (Do not start vehicle).
2. Press Program/Valet button 4 times. Wait for the unit to flash the parking lights and park light LED flashes exactly 4 times.
3. Press button #1 of the first transmitter. You should get 1 light flash confirming the remote is coded, then press button #1 of a second transmitter, the unit will flash 2 times confirming the remote is coded and so on. If all 4 codes are learned, the unit will automatically exit code learning mode, otherwise turn key off. See diagram below.



2 VEHICLE OPERATION and PROGRAMMING: To set up the 2 vehicle operation you must have all 4 remotes for programming. For the first vehicle (remotes 1 & 2) press the Lock as in step 1 thru 3. To change from vehicle 1 to vehicle 2, press the **VEH** button on remote for about 2 seconds. The LED on remote will change from blue to red.

MANUAL TRANSMISSION MODE

MANUAL TRANSMISSION INSTALLATION:

This option requires a databus module with hand brake and door status feature. The Door and Hand Brake Status only work thru Data Mode.

OPTION 11 - TRANSMISSION TYPE: Manual Transmission Requires Tach programmed to operate.

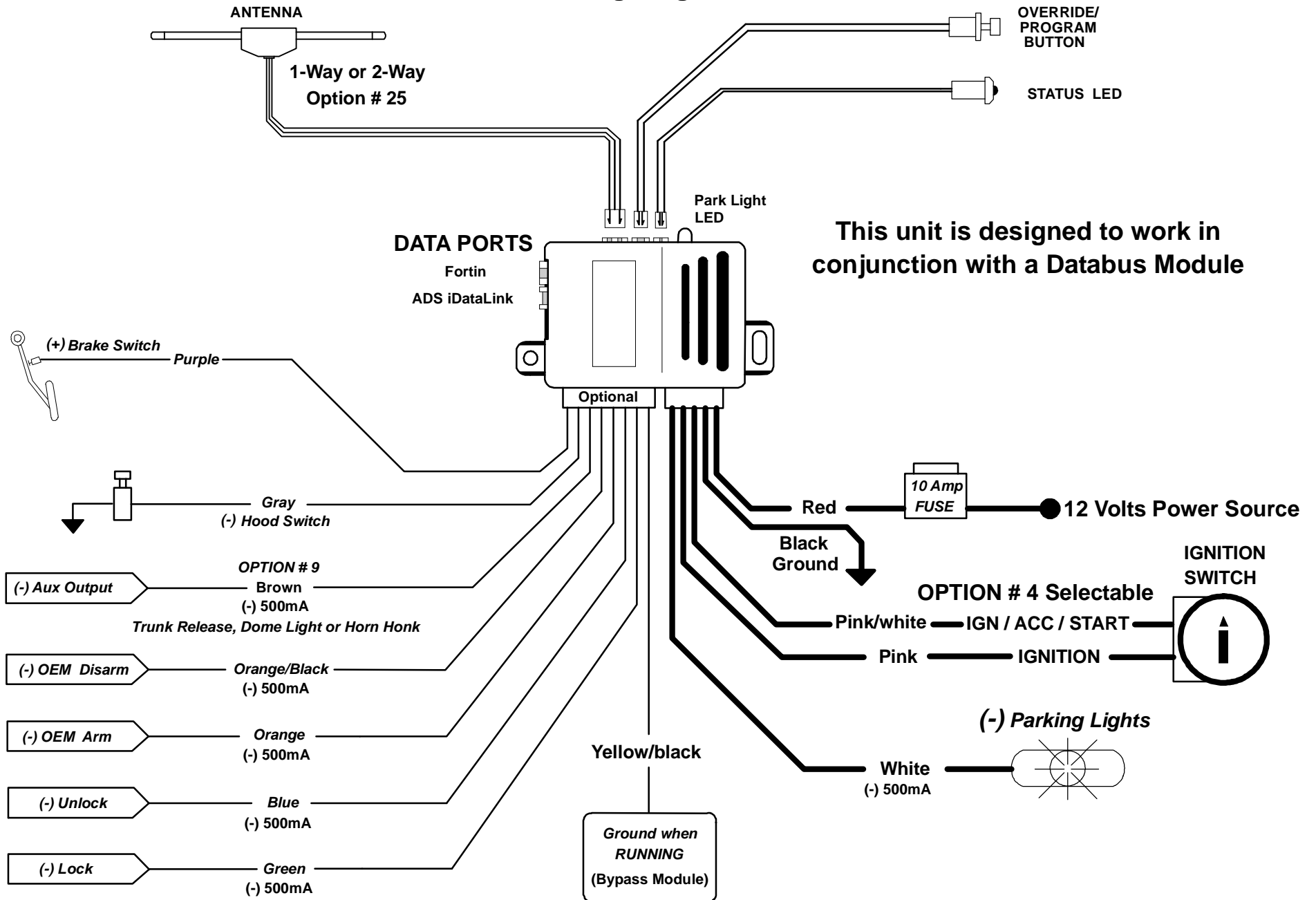
This option selects automatic or manual transmission mode - 3 Choices of operation.

1. Manual Shift Transmission - Requires Remote Start Button pressed with (-) Hand Brake set.
2. **Automatic Transmission – Default.**
3. Manual Shift Transmission – Starts Exit procedure with (-) Hand Brake Set and engine running. Not necessary to press remote start button.

Manual Transmission Exit Procedure:

1. **Option 11-1:** With engine running and vehicle in neutral, set parking brake, then press “Start” button on transmitter. The remote starter will turn on and take over operation of the vehicle.
2. **Option 11-3:** With engine running and vehicle in neutral, set parking brake. The remote starter will turn on and take over operation of the vehicle.
3. Remove key, exit vehicle (remote starter unit must “SEE” door opened, then closed with engine running).
4. Press Lock button within 10 seconds of closing door for “Idle Down” (engine stays running). Press Lock a 2nd time to cancel “Idle Down” (engine turns off) and set up Manual Transmission Mode.
5. Press Lock button after 10 seconds to Lock the doors and shut down the engine. From this point, the system will remote start the engine unless a door is opened.
6. Press the Remote Start Button after closing door to set up Manual Transmission Mode without Locking or Arming OEM Alarm System.

DATA START Wiring Diagram



DATA PORT

This unit requires a Databus Module for Remote Start. There are 2 types of Protocol, ADS iDatalink and EVO SL series modules. The default is set for EVO SL series Protocol. Please refer to Databus module manual for detail instructions. The Data Port Protocol must be programmed for the correct module.

See Option # 5 on page 9 for programming Data Port

Many late model GM and Chrysler vehicles may have a Databus Module with T-Harness available for minimal wiring to Bypass the factory Immobilizer and operate the keyless entry.

Check the Databus fit guide at www.crimestopper.com

Be sure to download the latest install manual from the Databus module fit guide and load the latest firmware available.

Features Include

- Transponder Immobilizer.
- PassLock Immobilizer.
- O.E.M. Alarm Control.
- R.A.P. Shutdown.
- Power Door Locks.
- Priority Unlock.
- Trunk Release.
- Parking Lights.
- Courtesy Lights.
- Brake Pedal and Hand Brake
- Hood, Door and Trunk Status
- Tachometer.
- Heated Seats.
- Rear Defrost.
- Driver 1 and 2 Memory presets.

The actual features controlled depend on the vehicle and Databus module.

REMOTE START DIAGNOSTICS

If the system flashes the LED and Parking Lights one to seven times and doesn't attempt remote. The LED will continue to flashing the error code until the ignition is turned on, it means the following:

- 1 Parking Light Flash (1 LED Flash) = Problem with Brake Switch.
- 2 Parking Light Flashes (2 LED Flashes) = Problem with Hood Switch.
- 3 Parking Light Flashes (Solid LED) = Valet Service Mode.
- 5 Parking Light Flashes (5 LED Flashes) = Ignition On before Remote Start or Tach problem.
- 6 Parking Light Flashes (6 LED Flashes) = Tach Problem (Tach signal without engine running)
- 7 Parking Light Flashes (7 LED Flashes) = Manual Transmission Error.

Note: In Manual Transmission Mode, the LED will Flash 3 times if the parking park is not set.

CRIMESTOPPER

www.crimestopper.com

Phone (800) 998-6880

FAX (805) 581-9500

© 2012 Crimestopper Security Products

www.crimestopper.com

Phone (800) 998-6880

FAX (805) 581-9500

© 2012 Crimestopper Security Products

TechWeb

ONLINE TECHNICAL SUPPORT

www.crimestopper.com