

PS03-G3 and PS04-G3

1 WAY REMOTE START SYSTEM

OPERATING INSTRUCTIONS

CONGRATULATIONS on your choice of a Fortress PRO Start™ Remote Engine Starter and Keyless Entry with DP Technology by Crimestopper Security Products Inc. This booklet contains the information necessary for operating your system. If any questions arise, contact your installation dealer or Crimestopper Security Products Inc.

****IMPORTANT INFORMATION: Primary and Optional Features***

-PRIMARY: These are features that must be connected in order for the system to operate properly i.e. Remote Start connections, Flashing lights, and Brake Reset. For programming, the hood pin and program button are required.

-OPTIONAL: These features are to be connected only if desired or agreed upon by the customer and the installing dealer i.e. Door Locks, Horn-Honk, Anti-Grind, etc. These features may also require additional parts and/or labor fees. Consult with your installer beforehand to be sure of what is going to be installed with your particular system.

REV 06-2011

This device complies with FCC Rules part 15. Operation is subject to the following two conditions: 1) This device may not cause interference, and (2) this device must accept any interference that may be received, including interference that may cause undesired operation. The manufacturer is not responsible for any changes or modifications not expressly approved by manufacturer for compliance. Such modification could void the user's authority to operate the equipment.

TABLE OF CONTENTS

Operation Cautions & Warnings.....	2
Using the Remote Transmitter.....	3
Status LED.....	4
Remote Engine Control.....	4-7
Turbo Timer Mode.....	8
Manual Transmission Mode.....	9
Convenience and Safety Features.....	9-11
Transmitter Programming.....	12
2 Vehicle Operation.....	13
No Factory Keyless Entry after Remote Start.....	14
Remote Start Diagnostics.....	14
Battery Replacement.....	15
2-Way Data Port.....	16

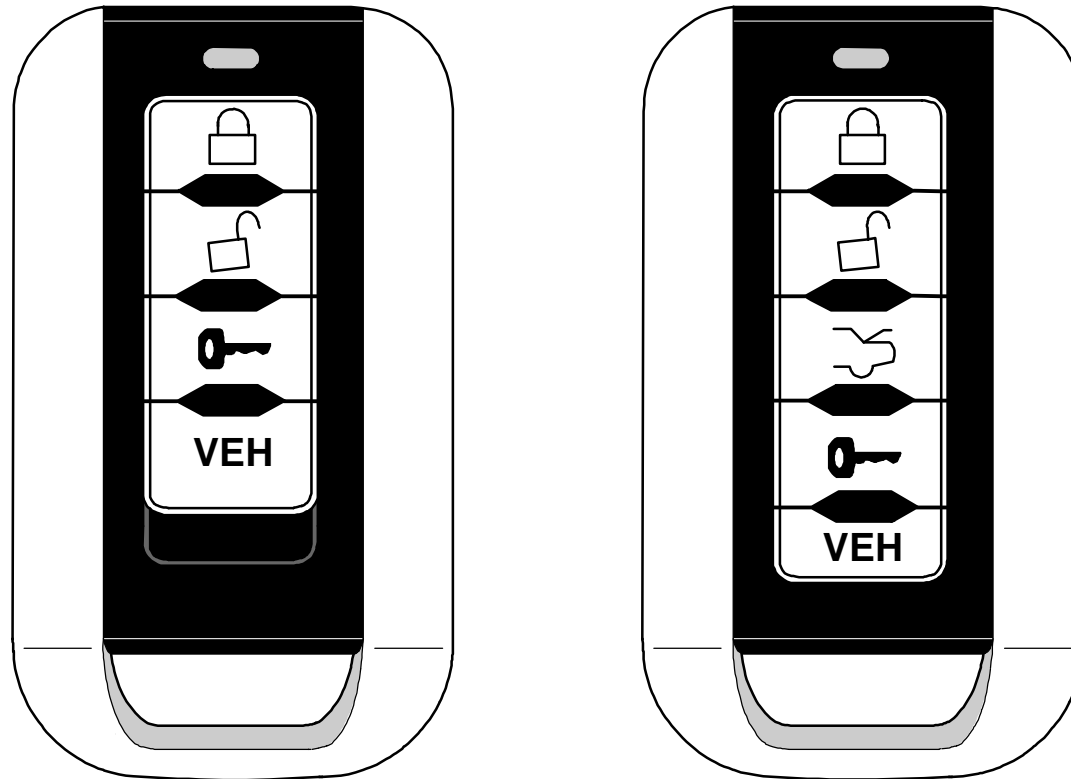
OPERATION CAUTIONS & WARNINGS

CRIMESTOPPER SECURITY PRODUCTS, INC. and its **VENDORS** shall not be liable for any accident resulting from the use of this equipment. This system is designed to be professionally installed into a car or vehicle in which all items, such as parking brake and all associated components, door switches, transmission shift linkage, throttle linkage, and all engine safety features, are in perfect working condition.

IT IS ABSOLUTELY THE OWNER'S SOLE RESPONSIBILITY TO: A) Understand the operation of this system and its safety features. B) Check for proper operation of the system prior to accepting delivery of the vehicle from the installation facility. C) Check and maintain the condition of the vehicle and all items relative to the proper operation of this system and its safety features. D) Always leave the doors and windows closed and locked to protect against accidents and theft.

DO NOT remote start the vehicle in a closed garage. Make sure that the garage door is open or there is adequate ventilation. Failure to observe this rule could result in **injury or death** from poisonous Carbon Monoxide fumes.

USING THE REMOTE TRANSMITTER



For PS03-G3

The transmitter supplied with this system has 4 vertical buttons – Lock, Unlock, Start and Vehicle Select. The button configuration is Factory-set and unchangeable. See Page 13 for additional information on how to use your remote to operate a second vehicle equipped with a PS03-G3 series system.

For PS04-G3

The transmitter supplied with this system has 5 vertical buttons – Lock, Unlock, Trunk Release, Start and Vehicle Select. The button configuration is Factory-set and unchangeable. See Page 13 for additional information on how to use your remote to operate a second vehicle equipped with a PS04-G3 series system.

STATUS LED

STATUS LED: Used for Remote Start Diagnostics – page 14 (Optional, requires Installation of LED)

LED will flash when locking your doors with remote.

LED will remain solid in Valet Service Mode.

REMOTE ENGINE CONTROL

REMOTE START & TRUNK POP – Button Press Selection (Option # 6):

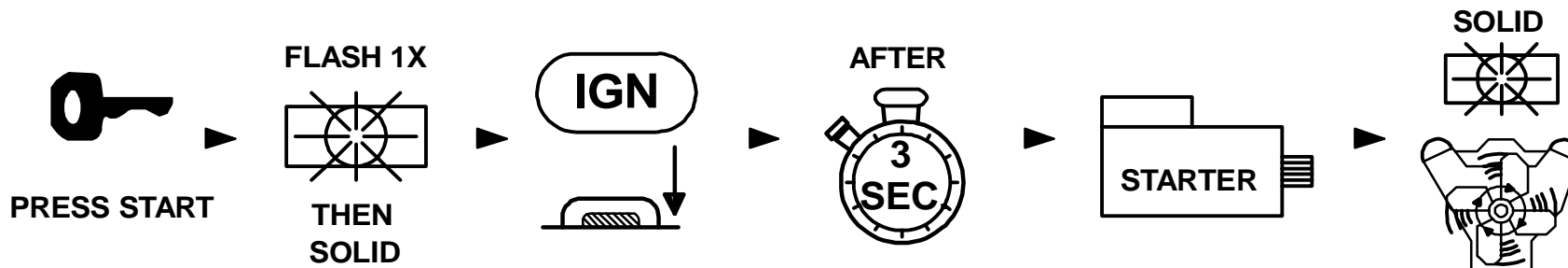
To eliminate the possibility of accidentally opening the trunk or starting the vehicle, there are (3) options for button press selection. This option will allow you to change whether the Remote starter and Trunk release activate by a:

1. Double button - ½ second presses.
2. *Single ½ second press (Default).
3. Press and Hold 2 seconds.

Default = 1 single press & release

REMOTE ENGINE STARTING – SUCCESSFUL START:

- 1) Press the remote start button for at least ½ second (*default). Parking lights flash once, return solid, and the Ignition/Acc circuits turn on.



- 2) After a few seconds the Starter Motor engages. The parking lights and Acc circuits will turn off while cranking.
- 3) Engine Starts and Runs. Parking Lights and ACC turns back on, and the doors lock.
- 4) Engine will remain running for programmed run time until reset with Brake pedal. If needed, the engine can be turned off with remote transmitter by pressing and releasing the Start button.

REMOTE ENGINE CONTROL

REMOTE ENGINE STARTING – UNSUCCESSFUL START

In the event that the engine does not start on the first attempt, the system shuts down for a few seconds, then attempts to restart the engine a 2nd and 3rd time. For hard starting engines, the unit will allow a starter crank time of up to 4 seconds maximum. This should provide ample cranking time for difficult starts, but is limited to 4 seconds to help prevent damage to the starter from over cranking.

- 1) If engine starts on 2nd or 3rd attempt, see steps 3 & 4 of “Successful Start” on page 4.
- 2) If Third attempt fails to start engine, the system will turn off and doors will remain locked. *NO FURTHER ATTEMPTS WILL BE MADE AUTOMATICALLY*

TURNING OFF A REMOTE STARTED ENGINE:

- 1) Engine is running in Remote Start (Parking lights ON).
- 2) Press and release the remote start button or double press (If option #6 is on).
- 3) Engine & parking lights OFF, Doors re-lock/re-arm.

ENTERING YOUR REMOTE STARTED VEHICLE:

- 1) With engine running, Unlock system with remote (If equipped) or open door with key.
- 2) Enter vehicle and be careful not to step on brake pedal! (Remote Start Reset)
- 3) Turn Ignition to ON/RUN position, then press brake pedal to reset the Remote Starter & Shift out of park.
- 4) Remote starter will reset instantly when the brake is pressed. Parking lights will turn off and the ignition key is now controlling your vehicle.

REMOTE START RUN TIME RESET:

The Remote Start Run Time is adjustable from 3 to 30 minute (option # 20). Some local cities have a run time limit for unattended vehicle. You can now reset the engine-run timer to allow for more running time after remote start has already occurred using the remote control. After a successful remote start, press both the Lock & Unlock buttons together for at least 2 seconds. The parking lights will flash 3 times and internal engine timer will reset back to zero minutes.

LOCK with REMOTE START and After REMOTE START ABORT:

Option # 8 controls whether the system will automatically lock during and after a remote Start abort or time-out. This feature can be turned OFF. The default is Lock with Remote Start.

REMOTE ENGINE CONTROL

IDLE DOWN MODE:

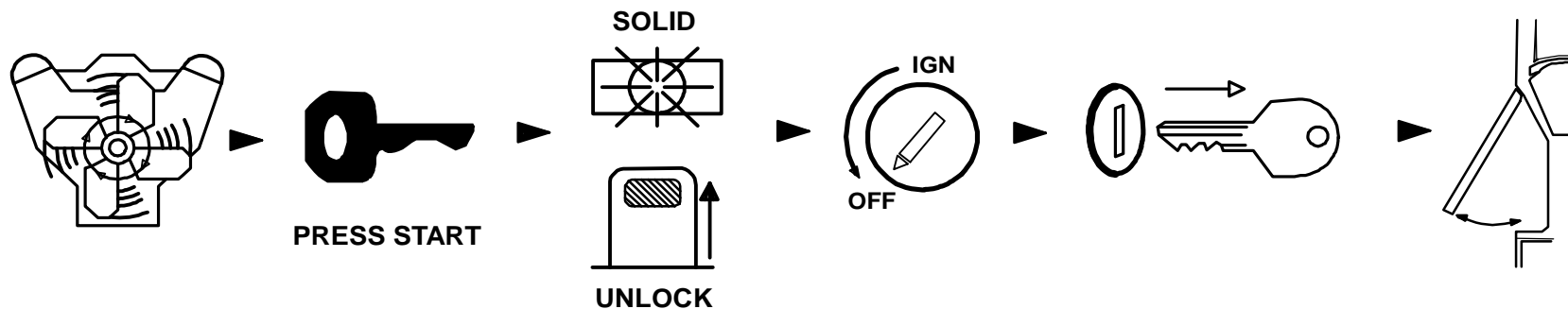
This mode allows the unit to take over operation of the parked vehicle while the ignition key is removed and you exit the vehicle. The vehicle will remain running for the programmed time or until canceled. The Run Time choices are: 10, 20, 30 minutes or Infinity Run. **Default = 20 minutes**

Examples:

- You pull up to a convenience store for a quick stop, "Idle Down" mode keeps engine running when you exit the vehicle, (with keys in hand) remote lock doors. When you return, unlock, turn ignition ON and drive away. **NOTE:** If lock button is pressed twice in "Idle Down" mode, the remote start will abort.

IDLE DOWN MODE – EXITING THE VEHICLE:

- 1) With vehicle engine running with key, press the Remote Start button for at least one second or twice if set for Double press.
- 2) Parking Lights will turn ON.
- 3) Doors will unlock, or if brake pedal is being depressed, doors will unlock when it is released.
- 4) Turn OFF Ignition and remove key. Engine should remain running.
- 5) Exit vehicle and remote lock doors if desired. Locking doors a 2nd time aborts remote start.
- 6) Engine will remain running for programmed run time or until you return (whichever comes first).



IDLE DOWN INFINITY RUN MODE

Idle Down can be programmed for INFINITY RUN. This allows the vehicle engine to remain running *INDEFINITELY* without the ignition key in the switch. The parking lights continuously flash in this mode. This mode can be beneficial to law enforcement or commercial trucks that need to remain running unattended for long periods of time.

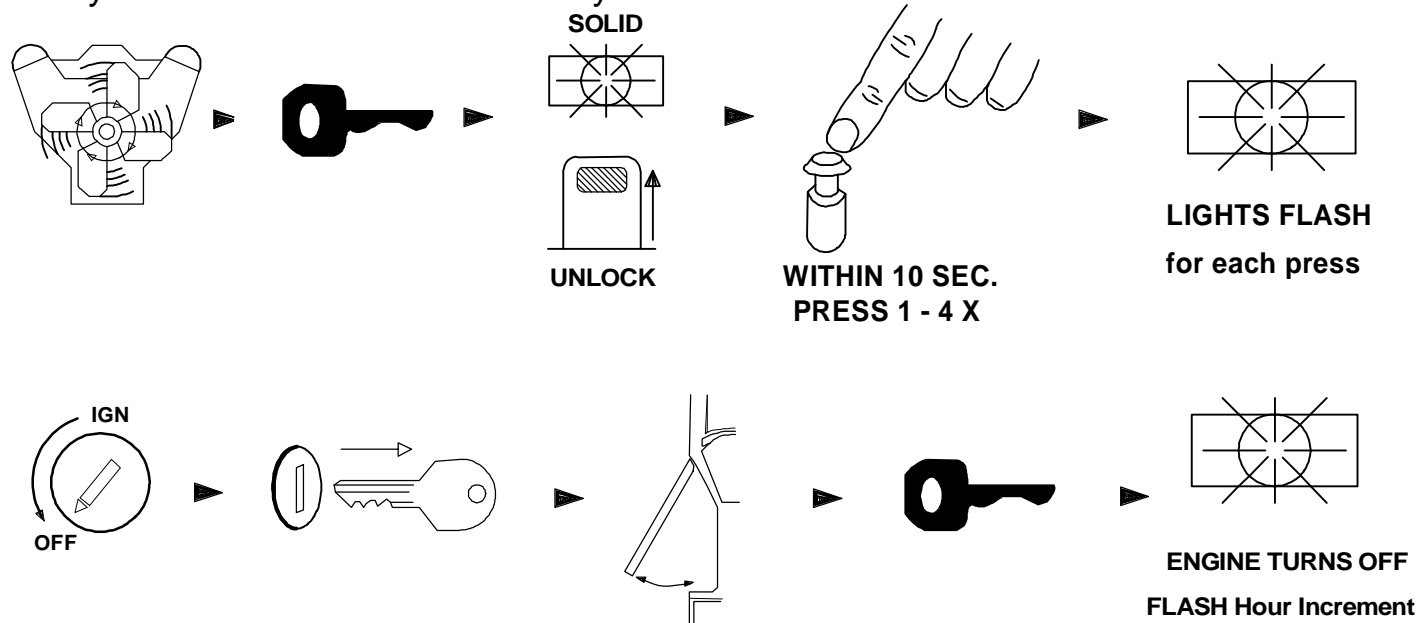
REMOTE ENGINE CONTROL

SELECTABLE HOURLY COLD-START MODE (1-4 HOURS)

This mode allows the vehicle to be programmed to self-start every 1, 2, 3 or 4 hours and run for the programmed run time. This can be helpful during extremely cold conditions where engine fluid freeze-up is a concern.

TIMED SELF-START MODE – Exiting the Vehicle:

- 1) Engine should be running with the Key. Press the Remote Start button for at least 1 second. Lights will turn on signaling the remote start has turned on and doors will unlock.
- 2) Within 10 seconds press and release the valet/program button once for each hourly increment (1 time = 1 hour, 2X = 2 hours, 3X = every 3 hours, 4X = every 4 hours).
- 3) Parking Lights will turn ON when the button is pressed and flash once for each consecutive button press.
- 4) Turn Ignition switch OFF, remove key and exit the vehicle. Engine should remain running.
- 5) Once outside the vehicle, press and release the remote start button to turn off engine. The parking lights will flash the number of times indicating the hourly increment for confirmation. The vehicle will start by itself at the selected hourly increment until driven with key or started via the remote control.



RESETTING TIMED SELF START MODE

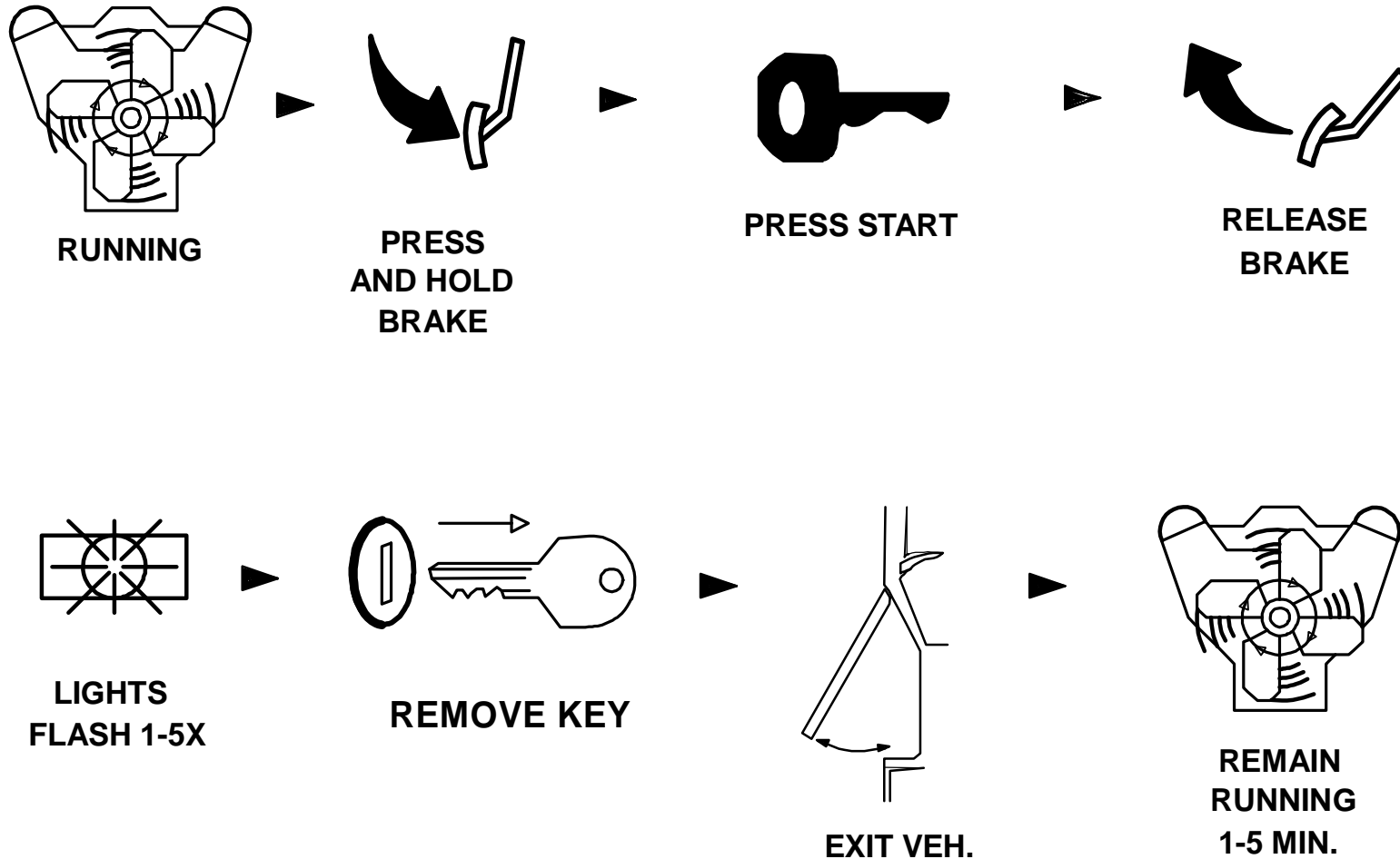
To reset the timed self-start mode, start vehicle using the ignition key or the remote control.

TURBO TIMER MODE (Option 22)

The optional Turbo Timer mode allows the Pro Start system to keep a Turbo or Turbo Diesel vehicle running for 1, 3 or 5 minutes [selectively] after you remove the key and exit the vehicle. This is handy for turbo cool-down without the need for expensive turbo timers. The **Default = OFF**.

To Activate Turbo Timer:

With the engine running by key, **press Remote Start Button with brake pedal depressed**. As you release the brake pedal, the Parking Lights and Status LED will blink the number of minutes for the Turbo Timer setting. The doors unlock after confirmation.



MANUAL TRANSMISSION MODE (Option 11)

MANUAL TRANSMISSION EXIT PROCEDURE (Option #11-1 and 11-3)

This system features a Manual Transmission Mode. When exiting the vehicle, there is safety check out procedure required for the manual transmission mode to work. There are 2 choices of operation,

1. **Option 11-1:** With engine running and vehicle in neutral, set parking brake, then press “KEY” Icon on transmitter. The remote starter will turn on and take over operation of the vehicle.
2. **Option 11-3:** With engine running and vehicle in neutral, set parking brake. The remote starter will turn on and take over operation of the vehicle.
3. Remove key, exit vehicle (remote starter unit must “SEE” door opened, then closed with engine running).
4. Press Lock button within 10 seconds of closing door for “Idle Down” (engine stays running). Press Lock a 2nd time to cancel “Idle Down” (engine turns off) and set up Manual Transmission Mode.
5. Press Lock button after 10 seconds to Lock the doors and shut down the engine. From this point, the system will remote start the engine unless a door is opened.
6. Press the Remote Start Button after closing door to set up Manual Transmission Mode without Locking or Arming OEM Alarm System.

TURBO TIMER in Manual Transmission Mode:

For Turbo Timer, press brake pedal before setting parking brake, then press the Remote Start Icon (requires Turbo Timer Option # 22). After exiting vehicle, press lock button to set Manual Transmission Mode. The engine will remain running for the Turbo Time setting (1, 3 or 5 minutes).

CONVENIENCE AND SAFETY FEATURES

KEYLESS ENTRY (Power Door Locks, may require Data Module - Optional)

This system enables you to remotely lock and unlock the vehicle’s doors (if equipped with power locks) via remote control for safety and convenience. Note: This feature may require extra labor and/or parts to install. Press the Lock or Unlock transmitter button as you leave or come near the vehicle. Parking lights will flash once for Lock and twice for Unlock. The parking lights will turn on for 30 seconds with Unlock to assist in locating and providing illumination near your vehicle when approaching at night for safety. The parking light also turns off with ignition on. If vehicle is running by the remote start system, the lights will flash, but return back to solid.

CONVENIENCE AND SAFETY FEATURES

AUTO LOCK / UNLOCK (Option # 2)

The Auto Lock feature controls whether the doors will automatically lock/unlock on your vehicle when driving or with turning the Ignition ON/OFF. If the Auto Lock feature is turned on, and your system is in “Tach” mode, then the doors should automatically lock as the engine RPM’s increase (driving). If the Auto Lock feature is turned on, and your system is in “Smart Tachless” mode, then the doors will lock a few seconds after the Ignition is turned on. When the Auto Lock feature is turned on, the system will always unlock the doors when the Ignition is turned off. With this feature turned OFF, the system will not automatically lock or unlock the vehicle. See your installer for programming information on this feature.

REMOTE PANIC (Optional)

For personal safety this unit now includes a panic feature. To sound the vehicle car horn, press the Lock Button on the remote for more than 2 seconds. The vehicle horn will honk along with flashing parking lamps for 1 minute. Reset Remote Panic by pressing either the lock or unlock button. See next section for Horn Honk information.

HORN CHIRPS (Option # 7, 13 & 16)

If vehicle horns are connected to the system, they will provide audible confirmation chirps for lock and unlock and remote start. The chirp sound can be programmed from short to long to adjust for different sounding horns. Pressing the Lock or Unlock button (Programmable option for 1 or 2 Press) will provide a horn chirp for audible confirmation. The system can also be programmed to provide 3 chirps when a remote start is requested using the remote. Note: Horn honk/chirp feature may require extra labor and/or parts to install.

Option 7 = Chirps with Remote Start On/Off.

Option 13 = 1 or 2 button press for Chirp with Lock / Unlock.

Option 16 = Short, medium or long Chirp Pulse (15, 20 or 40 milliseconds).



REMOTE TRUNK RELEASE OR DOMELIGHT ILLUMINATION (Option 9)

This Pro Start system includes an output that can be programmed to remotely release a factory electronic trunk or illuminate the interior light when you unlock your vehicle for lighted entry at night. If you have the optional trunk pop installed, simply press and release the Trunk Button #3 on the transmitter to remotely open trunk. If your system is programmed for Dome Light illumination, then it will work automatically lighting the dome light for 30 seconds when you unlock your vehicle via the remote. The dome light will turn off after 30 seconds, or turning the key on (whichever comes first). The trunk Pop or Dome Light Illumination may require extra labor and/or parts to install.

CONVENIENCE AND SAFETY FEATURES

VALET MODE

Before servicing your vehicle or handing the keys over to a Valet we recommend putting the unit into Valet Mode. The Remote Start function WILL NOT operate when in Valet Mode.

1. **To Activate Valet Mode Manually:** Turn the ignition on and press the Valet button [about 5-6 seconds] until the LED turns on solid. Repeat the process to exit VALET mode.
2. **To Activate Valet Mode with the Remote:** Press and hold both the Lock and Unlock Button together for about 3 seconds until 3 chirps are heard (horn must be connected). Repeat this step to exit via the remote transmitter. Lock / Unlock and AUX features will still operate in VALET Mode however Remote Start is inhibited.  Plus 

ANTI-GRIND (Optional, relay not included)

This Optional feature prevents the user from accidentally grinding the starter if the Ignition key is turned too far to the start position while engine is already running from the remote starter. The Anti-Grind requires the use of an external relay.

HOOD OPEN SAFETY (Requires hood pin switch)

Prevents remote starting engine when hood is open. Eliminates risk of injury to someone working under the hood of the vehicle with a properly working hood pin installed. If Remote Start button is pressed with the hood open, the parking lights will flash twice and the unit will not attempt a start. See Remote Start Diagnostics on page 14.

BRAKE PEDAL RESET

Prevents starting or turns off a remote started vehicle when this circuit is active. Prevents Unauthorized Driving of Vehicle. This circuit shuts the system down immediately when brake pedal is pressed. Turn the ignition key to the "ON" position before the brake pedal is pressed. If Remote Start button is pressed with the brake pressed, the parking lights will flash once and the unit will not attempt a start. See Remote Start Diagnostics on page 14.

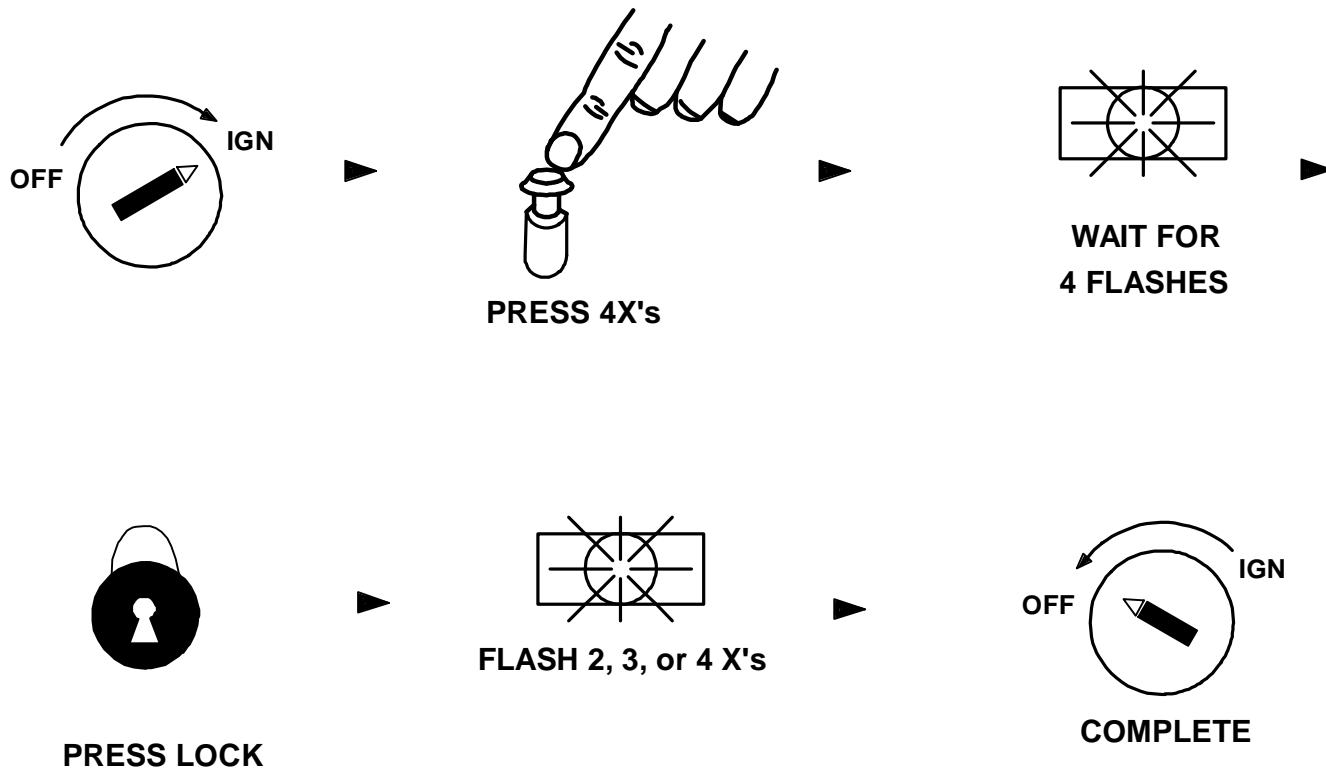
OEM ALARM INTERFACE (May require optional Databus Module)

This feature is designed to Disarm and Re-arm Factory equipped security systems in conjunction with remote start and keyless entry (if needed for your vehicle). This feature will maintain the original integrity and security of your vehicle's factory equipped systems before, during, or after remote start. Some vehicles require an optional Databus module to operate a factory alarm or keyless entry.

TRANSMITTER PROGRAMMING

Note: All transmitter codes must be learned at time of programming!! The PS04-G3 learns up to 4 different transmitter codes.

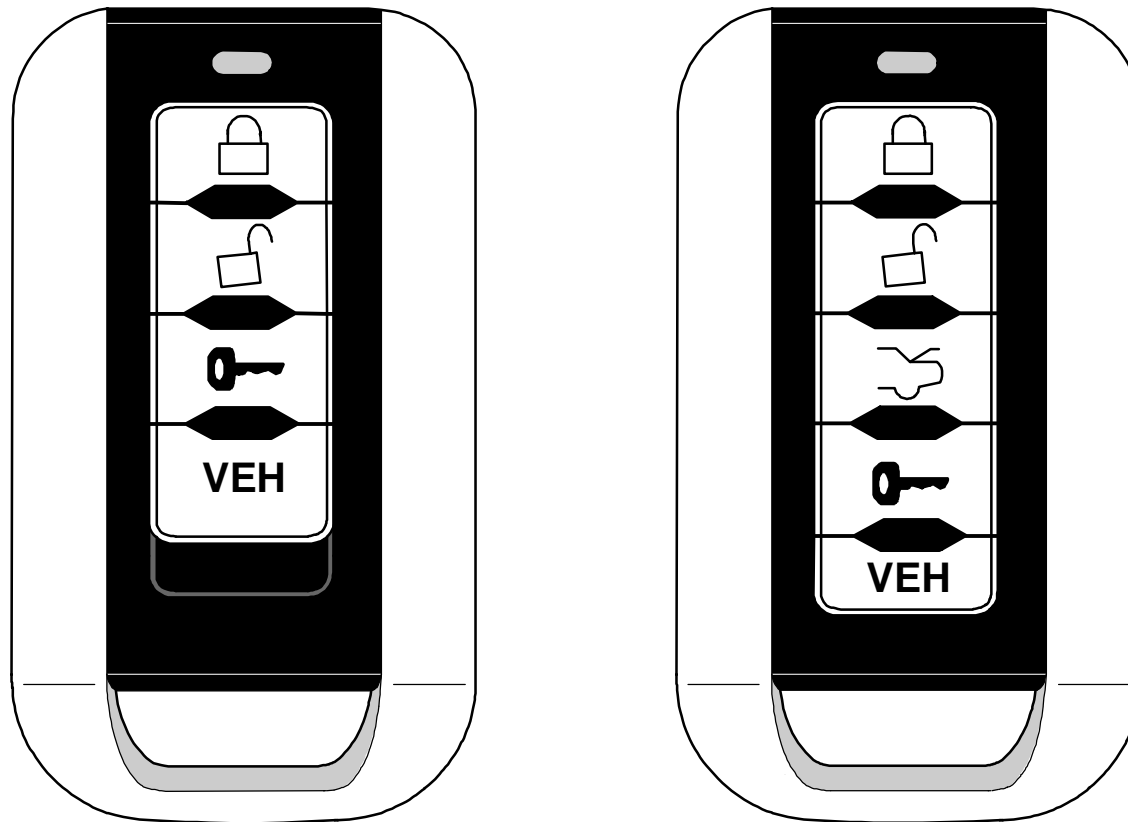
1. Turn Ignition Key to the ON position.
2. Press Programming button 4 times, then after a few seconds the unit flashes the parking lights 4 times.
3. Press button #1 of the first transmitter. You should get 1 light flash confirming the remote is coded, then press button #1 of a second transmitter, the unit will flash 2 times confirming the remote is coded and so on. If all 4 codes are learned, the unit will automatically exit code learning mode, otherwise turn key off. See diagram below.



2-VEHICLE OPERATION & PROGRAMMING

A single Remote Control can control two different vehicles.

To set up the 2-Vehicle operation you must first program your remotes to Vehicle #2. Follow the “Transmitter Programming” steps (Pg. 12) at the second vehicle and learn YOUR remote, along with vehicle #2’s existing remotes.



*To change from vehicle 1 to vehicle 2, press the **VEH** button on remote for about 2 seconds. The LED on remote will change from red to green.*

NO FACTORY KEYLESS ENTRY AFTER REMOTE START

Most new cars Do Not allow the factory Remote Keyless Entry to function with the Ignition ON. This means you can't use the factory remote to lock or unlock the doors. After remote start you have to use the keys to unlock the door. Also, many new vehicles unlock the doors when disarming the factory alarm. This leaves the doors unlocked while Remote Started. To resolve this problem, have your installer connect the door locks to the Remote Start Keyless Entry. The Remote Starter will Re-Lock the doors after remote starting.

Model PS03-G3 and PS04-G3

When you return to a remote started vehicle, just press the Unlock button on the remote control.

Note: There are 3 Remote Start Options (see page 4). The options are: 1/2 second press (Default), 2 second press or Double button press.

REMOTE START DIAGNOSTICS

If the system flashes the LED and Parking Lights one to seven times and doesn't attempt remote start. The LED will continue to flashing the error code until the ignition is turned on, it means the following:

- 1 Parking Light Flash (1 LED Flash) = Problem with Brake Switch.**
- 2 Parking Light Flashes (2 LED Flashes) = Problem with Hood Switch.**
- 3 Parking Light Flashes (Solid LED) = Valet Service Mode.**
- 5 Parking Light Flashes (5 LED Flashes) = Ignition On before Remote Start.**
- 7 Parking Light Flashes (7 LED Flashes) = Manual Transmission Error.**

Be sure to tell your installer the Diagnostic code when taking vehicle in for service

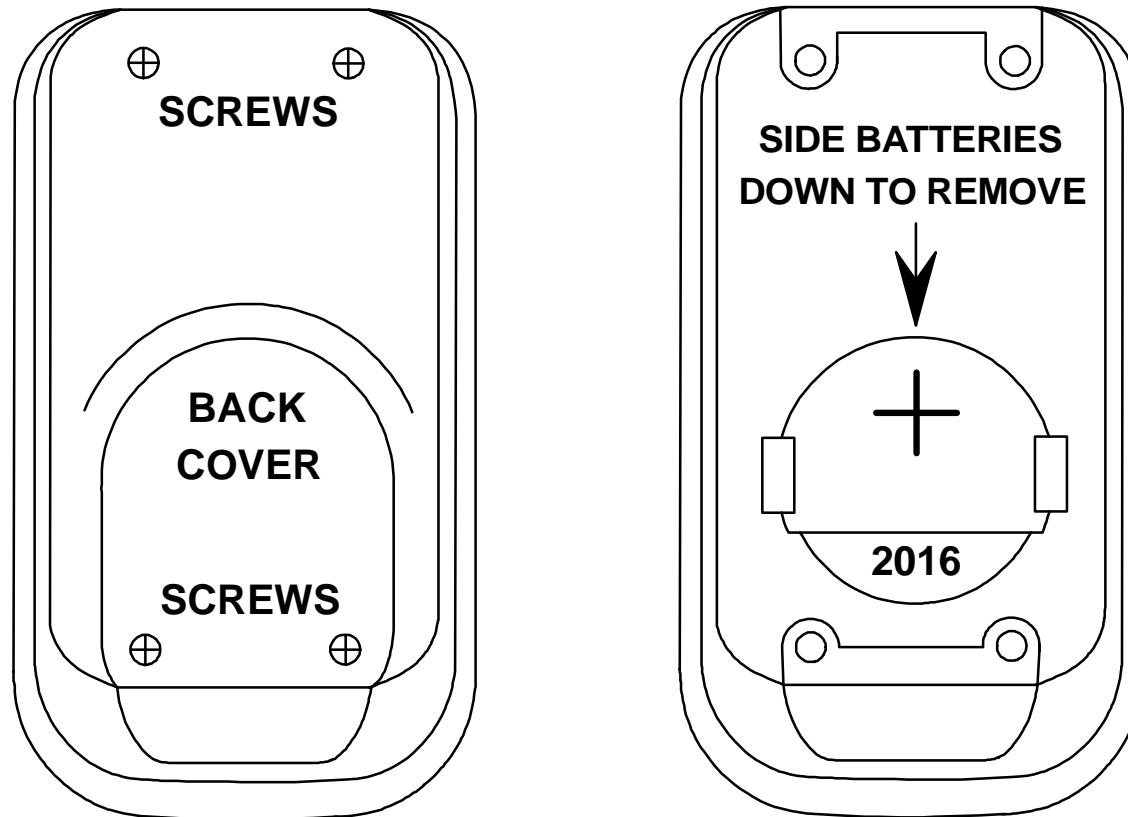
SYSTEM IS UNSUCCESSFUL AT REMOTE START DURING EXTREME COLD CONDITIONS:

Please be aware that during sub-freezing conditions your remote starter may take more than one attempt to start, or it may not successfully start the vehicle after 3 attempts. During these conditions the vehicle may not properly start even using the key, therefore trying to start by the remote would also be unsuccessful.

BATTERY REPLACEMENT

To Replace the Battery:

The Remote Control uses three CR-2016 Lithium 3 Volt Batteries. Simply remove the four Phillips screws holding the back cover in place. Slide old batteries out and remove plastic cover. Insert the new batteries into plastic cover and slide into place with the (+) end facing up. The plastic cover keeps the batteries from shorting out against the side of metal housing.



2-Way DATA PORT

Some vehicles require a Databus Module to Bypass the factory Immobilizer and operate the keyless entry

Databus modules are used to communicate with the vehicles computer at the OBD2 Data connector or Canbus wires. This reduces installation error. Crimestopper Systems with DP Series have a direct Data Port Plug-In for the Databus bypass module. This eliminates conventional wiring between the Alarm/Remote Starter and the bypass interface module.

Features Include

- Transponder Immobilizer.
- PassLock Immobilizer.
- O.E.M. Alarm Control.
- R.A.P. Shutdown.
- Power Door Locks.
- Priority Unlock.
- Trunk Release.
- Parking Lights.
- Courtesy Lights.
- Tachometer.
- Heated Seats.
- Rear Defrost.
- Driver 1 and 2 Memory presets.

The actual features controlled depend on the vehicle and Databus module.