

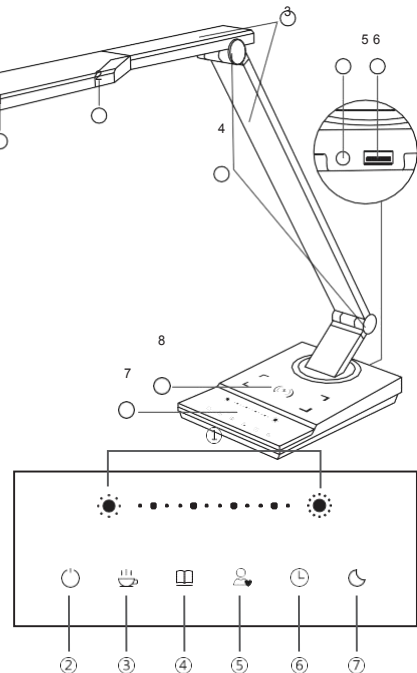
**Product Diagram**

**Desk Lamp**

- ① Lamp Head
- ② Night Light
- ③ Lamp Arm
- ④ Tension Adjuster
- ⑤ Power Port
- ⑥ 5V/2A iSmart USB port
- ⑦ Touch Panel
- ⑧ Wireless Charging Pad

**Touch Panel**

- ① Brightness Setting
- ② On / Off
- ③ Color Temperature -
- ④ Color Temperature +
- ⑤ Favorite
- ⑥ Timer
- ⑦ Night Light



**Package Contents**

- 1 x TaoTronics LED Desk Lamp (Model: TT-DL050)
- 1 x Power Adapter
- 1 x Cleaning Cloth
- 1 x User Guide

**Specifications**

Model	TT-DL050
Input	12V / 3A
USB Output	DC 5V / 2A
LED Power	12W Max
Wireless Charging Output	7.5W for iPhone Max / 10W for Samsung Max
Color Temperature	2700-3000K, 3000-3500K, 4000-4500K, 5000-5500K, 6000-6500K
CRI	>80

**How to Use**

**1. On / Off**

The On / Off LED indicator will light up when the lamp is connected with power. Tap the button to turn on the lamp and the touch panel. Tap again to turn off. The TT-DL050 Desk Lamp includes a brightness and color temperature memory function; it will directly activate the previous settings each time it's turned on.

**2. Brightness Adjustment**

To adjust the brightness, tap or slide across the Brightness Setting icons from the left (least bright) to the right (most bright).

**3. Color Temperature Adjustment**

Press the or button to go through the 5 levels of color temperature. The indicator will flash 3 times when it reaches the highest or the lowest setting.

**4. Timer Function**

When the lamp is on, tap the button and the indicator will slowly flash 3 times to start timing. The lamp will automatically turn off in 60 minutes. Tap again in timer mode to cancel the timer setting. The LED indicator will flash once.

**5. Favorite Function**

When the lamp is on, tap and hold the button for 2 seconds. The indicator will flash 3 times and the current color temperature and brightness will be set as your favorite. Each time the lamp is turned on, tap on the button once to activate your favorite setting. Tap and hold again for 2 seconds to erase and set a new favorite.

**6. Night Light Function**

When the lamp is on, tap the button until the indicator slowly flashes 3 times to light up the night light. Tap either the button or the button to turn off the night light. In Night Light mode, tap the button to set or cancel the 60 minute timer.

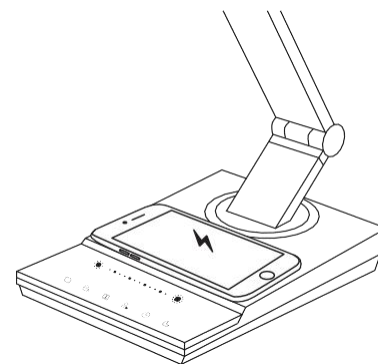
Note: The night light and main lamp will not light up at the same time.

**7. Wireless Charging**

Place your phone with wireless charging functionality onto the charging pad, charging will start automatically.

Note:

If charging does not occur, adjust the phone so its receiver can be detected. Please note that different model phones have their receivers in different positions.



TT-DL050

**TaoTronics**  
www.taotronics.com

**NORTH AMERICA**

E-mail : support@taotronics.com(US)  
support.ca@taotronics.com(CA)  
Tel : 1-888-456-8468 (Monday-Friday: 9:00 – 17:00 PST)  
Address: 46724 Lakeview Blvd, Fremont, CA 94538

**EUROPE**

E-mail:  
support.uk@taotronics.com(UK)  
support.de@taotronics.com(DE)  
support.fr@taotronics.com(FR)  
support.es@taotronics.com(ES)  
support.it@taotronics.com(IT)  
EU Importer: ZBT International Trading GmbH, Halstenbeker Weg 98C,  
25462 Rellingen, Deutschland

**ASIA PACIFIC**

E-mail : support.jp@taotronics.com(JP)  
JP Importer: 株式会社SUNVALLEY JAPAN  
Tel: 03-5542-0238 (10~18時/土日祝除く)  
〒104-0032

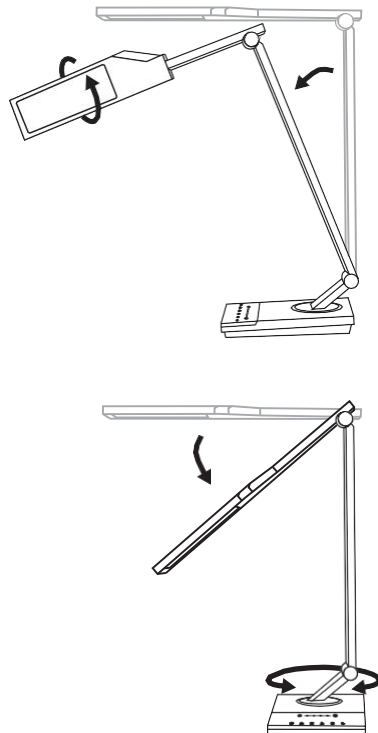
東京都中央区八丁堀3丁目18-6 PMO京橋東9F

**MANUFACTURER**

Shenzhen NearbyExpress Technology Development Co., Ltd.  
Address: 333 Bulong Road, Shenzhen, China, 518129



**Structural Parts**



The lamp head is 90 degrees rotatable to the left / right.

The lower lamp arm is 90 degrees rotatable to the left / right on the base.

The lower lamp arm is 90 degrees forward and 54 degrees backward rotatable.

The upper lamp arm is 90 degrees forward rotatable.

**Caution**

- Use only the supplied AC power adapter.
- Please do not dismantle the product by yourself, always ask professional electricians or authorized technicians for repair.
- If you smell bad odor or anything unusual, please turn off the unit immediately.
- Please do not remove the power plug with wet hands as it may cause electrical shock.
- Keep away from children.
- Do not put this unit near extreme heat sources, moisture, or corrosive substances.
- Regularly clean the lamp.
- Please store in a dry and cool place if not using for a long period of time.

**Troubleshooting Guide**

Problem	Possible Cause	Solution
The lamp does not light up	No power supply	Correctly plug in the power adapter
	The lamp is not turned on	Refer to the How to Use section
The touch panel is not responsive	Hands are wet	Touch the panel with dry hands
	Voltage fluctuation causing panel failure	Disconnect power to restart the lamp
LED failure	LED component failed	Please contact the TaoTronics Support Team
Bad smell	Power adapter failed	Please contact the TaoTronics Support Team
	Short circuit	Please contact the TaoTronics Support Team

**Warranty**

TaoTronics products are covered by a 12 month limited warranty from the date of its original purchase. If any problems occur, please contact our support team.

We can only provide after sales service for products that are sold by TaoTronics or TaoTronics authorized retailers and distributors. If you have purchased your unit from a different place, please contact your seller for return and warranty issues.

**FCC STATEMENT:**

This device complies with Part 15 of the FCC Rules. Operation is subject to the following two conditions:

- (1) This device may not cause harmful interference, and
- (2) This device must accept any interference received, including interference that may cause undesired operation.

**Warning:** Changes or modifications not expressly approved by the party responsible for compliance could void the user's authority to operate the equipment.

NOTE: This equipment has been tested and found to comply with the limits for a Class B digital device, pursuant to Part 15 of the FCC Rules. These limits are designed to provide reasonable protection against harmful interference in a residential installation. This equipment generates uses and can radiate radio frequency energy and, if not installed and used in accordance with the instructions, may cause harmful interference to radio communications. However, there is no guarantee that interference will not occur in a particular installation. If this equipment does cause harmful interference to radio or television reception, which can be determined by turning the equipment off and on, the user is encouraged to try to correct the interference by one or more of the following measures:

- Reorient or relocate the receiving antenna.

- Increase the separation between the equipment and receiver.

- Connect the equipment into an outlet on a circuit different from that to which the receiver is connected.

- Consult the dealer or an experienced radio/TV technician for help.

**FCC Radiation Exposure Statement:**

This equipment complies with FCC radiation exposure limits set forth for an uncontrolled environment.