

## Instruction and operation manual

# S401

## Thermal mass flow sensor



Dear Customer,

Thank you for choosing our product.

Please read the operating instructions in full and carefully observed them before starting up the device. The manufacturer cannot be held liable for any damage which occurs as a result of non-observance or non-compliance with this manual.

Should the device be tampered with in any manner other than a procedure which is described and specified in the manual, the warranty is canceled and the manufacturer is exempt from liability.

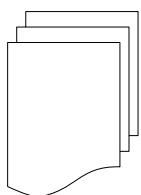
The device is destined exclusively for the described application.

SUTO offers no guarantee for the suitability for any other purpose. SUTO is also not liable for consequential damage resulting from the delivery, capability or use of this device.

## Table of contents

1. Safety instructions.....	4
2. Application.....	7
3. Features.....	7
4. Technical data.....	8
4.1 General.....	8
4.2 Electrical data.....	9
4.3 Output-signals.....	9
4.4 Accuracy .....	9
4.5 Volumetric flow ranges.....	9
5. Dimensional drawing.....	11
6. Determination of the installation point.....	12
7. Inlet and outlet sections.....	13
8. Sensor installation .....	15
8.1 Installation requirements.....	15
8.2 Installation procedure .....	16
8.3 Electrical connection.....	20
9. Sensor signal outputs.....	22
9.1 Analog output.....	22
9.2 Pulse output.....	22
9.2.1 Pulse connection diagram.....	24
9.3 Modbus output.....	25
10. Sensor display (option).....	26
10.1 Starting process.....	26
10.2 Configuration using the display.....	27
11. Service App S4C-FS.....	28
12. Calibration.....	29
13. Maintenance.....	29
14. Disposal or waste.....	29
15. Warranty.....	29
16. Appendix A - Analogue output.....	31
17. Appendix B - Modbus communication example.....	33
18. Appendix C - LRC and CRC calculation.....	35

## 1. Safety instructions



**Please check if this instruction manual accords to the product type.**

Please observe all notes and instructions indicated in this manual. It contains essential information which must be observed before and during installation, operation and maintenance. Therefore this instruction manual must be read carefully by the technician as well as by the responsible user / qualified personnel.

This instruction manual must be available at the operation site of the flow sensor at any time. In case of any obscurities or questions, regarding this manual or the product, please contact the manufacturer.



### **WARNING!**

#### **Compressed air!**

**Any contact with quickly escaping air or bursting parts of the compressed air system can lead to serious injuries or even death!**

- Do not exceed the maximum permitted pressure range (see sensors label).
- Only use pressure tight installation material.
- Avoid that persons get hit by escaping air or bursting parts of the instrument.
- The system must be pressureless during maintenance work.



### **WARNING!**

#### **Voltage used for supply!**

**Any contact with energized parts of the product, may lead to an electrical shock which can lead to serious injuries or even death!**

- Consider all regulations for electrical installations.
- The system must be disconnected from any power supply during maintenance.
- Any electrical work on the system is only allowed by authorized qualified personal.

**ATTENTION!****Permitted operating parameters!**

**Observe the permitted operating parameters, any operation exceeding this parameters can lead to malfunctions and may lead to damage on the instrument or the system.**

- Do not exceed the permitted operating parameters.
- Make sure the product is operated in its permitted limitations.
- Do not exceed or undercut the permitted storage and operation temperature and pressure.
- The product should be maintained and calibrated frequently, at least annually.

**General safety instructions**

- It is not allowed to use the product in explosive areas.
- Please observe the national regulations before/during installation and operation.

**Remarks**

- It is not allowed to disassemble the product.
- Always use spanner to mount the product properly.

**ATTENTION!****Measurement values can be affected by malfunction!**

**The product must be installed properly and frequently maintained, otherwise it may lead to wrong measurement values, which can lead to wrong result.**

- Always observe the direction of the flow when installing the sensor. The direction is indicated on the housing.
- Do not exceed the maximum operation temperature at the sensors tip.
- Avoid condensation on the sensor element as this will affect accuracy enormously.

**Storage and transportation**

- Make sure that the transportation temperature of the sensor without display is between  $-30 \dots +70^{\circ}\text{C}$  and with display between  $-10 \dots +50^{\circ}\text{C}$ .
- For storage and transportation it is recommended to use the packaging which comes with the sensor.
- Please make sure the storage temperature of the sensor is between  $-10 \dots +50^{\circ}\text{C}$ .
- Avoid direct UV and solar radiation during storage.
- For the storage the humidity must be  $<90\%$ , no condensation.

## 2. Application

The S401 is a flow sensor which is designed to measure the consumption of compressed air and gases within the permissible operating parameters. These parameters can be found in the technical data section.

The S401 can measure the following values:

- Volumetric flow of the compressed air or gas.
- Total consumption of the compressed air or gas.

The default factory settings are: Volumetric flow in m<sup>3</sup>/h and Total Consumption in m<sup>3</sup>. Other units can be programmed by the optional display or the service kit.

The S401 flow sensor is mainly used in compressed air systems in industrial environments.

The S401 flow sensor is not developed to be used in explosive areas. For the use in explosive areas please contact the manufacturer.

## 3. Features

- Insertion type flow sensor for easy installations under pressure through a ball valve.
- Thermal mass flow measurement, virtually independent of pressure and temperature changes.
- IP65 casing provides robust protection in the industrial environment.
- Very fast response time.
- High accuracy and wide measuring ranges. Special ranges on request.
- Tube diameters from 1/2" up to 12", larger diameters on request.
- Optional display directly on the sensor, showing volumetric flow and consumption.
- Modbus interface (optional).

## 4. Technical data

### 4.1 General

CE	
Parameters	Standard unit flow: m <sup>3</sup> /h Other units: m <sup>3</sup> /min, l/min, l/s, cfm, kg/h, kg/min, kg/s Consumption units: m <sup>3</sup> , ft <sup>3</sup> , kg
Reference conditions	ISO1217 20°C 1000 mbar (Standard-Unit) DIN1343 0°C 1013.25 mbar (Norm-Unit)
Principle of measurement	Thermal mass flow
Sensor	Glass coated resistive sensor
Measuring medium	Air, gas (non corrosive gas)
Operating temperature	-30 ... +140°C fluid temperature -30 ... +70°C casing -10 ... +50°C display (optional)
Humidity of the meas. medium	< 90%, no condensation
Operating pressure	Up to 5.0 MPa (> 1.6 MPa need installation device)
Housing material	PC + ABS
Material of the probe tube, sensor head (wetted parts)	Stainless steel 1.4404 (SUS 316L)
Protection class	IP65
Dimensions	See dimensional drawing on the next page
Display (optional)	2.4" color graphics display with keypad
Tube diameter	1/2" to 12" (bigger diameters on request)
Process connection	G1/2" (ISO 228/1)
Weight	0.9 kg (220 mm standard) 0.85 kg (160 mm), 0.95 kg (300 mm), 1.0 kg (400 mm)



## 4.2 Electrical data

Power supply	15 ... 30 VDC, 200 mA
--------------	-----------------------

## 4.3 Output-signals

Analogue output	Signal: 4 ... 20 mA, isolated Scaling: 0 to max flow Max load: 250R
Pulse output	1 pulse per consumption unit, isolated switch, max. 30 VDC, 200 mA (pulse length: 10 ... 120 ms, depends on flow rate)
Modbus output	See chapter 9.3

## 4.4 Accuracy

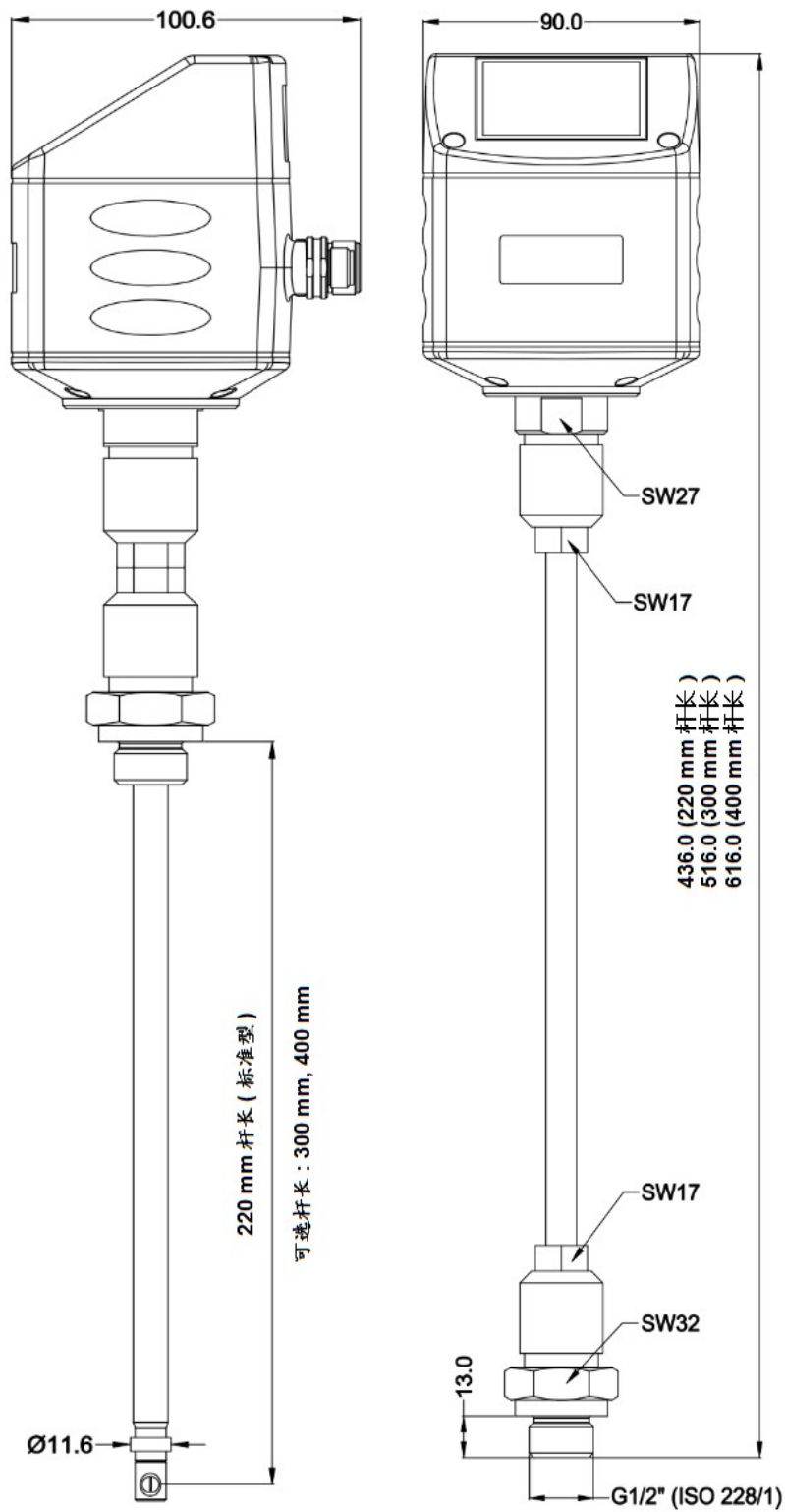
Accuracy*	$\pm(1.5\%$ of reading + 0.3% FS) (optional 1% of reading) Temperature drift: < 0.05%/K
Stated accuracy at	Ambient/process temperature 23°C $\pm$ 3°C Ambient/process humidity <90% Process pressure at 0.6 Mpa
Repeatability	$\pm$ 0.25% of reading
*Specified accuracy is valid only within the minimum and maximum flow rates that are indicated in section 4.5.	

## 4.5 Volumetric flow ranges

Inch	DN	Di (mm)	S401-S (m <sup>3</sup> /h)	S401-M (m <sup>3</sup> /h)	S401-H (m <sup>3</sup> /h)
1/2"	DN15		-	-	-
3/4"	DN20		-	-	-
1"	DN25	27.3	0.5 ... 147.7	0.6 ... 294.7	0.6 ... 356.9
1 1/4"	DN32	36.0	0.9 ... 266.3	1.2 ... 531.5	1.2 ... 643.5
1 1/2"	DN40	41.9	1.2 ... 366.7	1.5 ... 731.9	1.5 ... 886.2
2"	DN50	53.1	2.0 ... 600.1	2.5 ... 1197.6	3 ... 1450.0
2 1/2"	DN65	68.9	3.5 ... 1026.5	5.0 ... 2048.6	5 ... 2480.4
3"	DN80	80.9	5.0 ... 1424.4	7.0 ... 2842.7	7 ... 3441.9

4"	DN100	100.0	10 ... 2183.3	12 ... 4357.2	12 ... 5275.7
5"	DN125	125.0	13 ... 3419.6	18 ... 6824.4	18 ... 8263.1
6"	DN150	150.0	18 ... 4930.1	25 ... 9838.9	25 ... 11913.1
8"	DN200	200.0	26 ... 8785.6	33 ... 17533.3	42 ... 21229.5
10"	DN250	250.0	40 ... 13743.9	52 ... 27428.5	60 ... 33210.7
12"	DN300	300.0	60 ... 19814.8	80 ... 39544.1	100 ... 47880.4

## 5. Dimensional drawing



## 6. Determination of the installation point

In order to maintain the accuracy stated in the technical data, the sensor must be inserted in the centre of a straight pipe section with unhindered flow characteristics.

Unhindered flow characteristics are achieved if the section in front of the sensor (inlet) and behind the sensor (outlet) are sufficiently long, absolutely straight and free of obstructions such as edges, seams, curves etc..

Please consider that enough space exists at your site for an adequate installation as described in this manual.



### **ATTENTION!**

**Wrong measurement is possible, if the sensor is not installed correctly.**

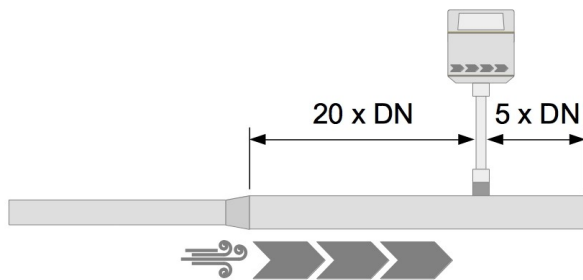
- Careful attention must be paid to the design of the inlet and outlet section. Obstructions can cause counter-flow turbulence as well as turbulence in the direction of the flow.
- The sensor is for indoor use only! At an outdoor installation, the sensor must be protected from solar radiation and rain.
- It is strongly recommended not to install S401 permanently in wet environment as it exists usually right after a compressor outlet.

## 7. Inlet and outlet sections

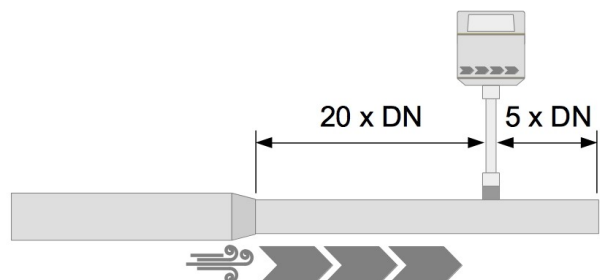
The thermal measuring principle may be sensible to inlet and outlet conditions. For this we recommend the following minimum straight inlet and outlet sections to ensure an accurate measurement. Sensor should be always installed upstream from obstacles like valves, filter, reductions etc. In common the sensor should be installed as far as possible away from any disturbances.

**Note:** If there is any combination of the below, the longest straight inlet section must be maintained.

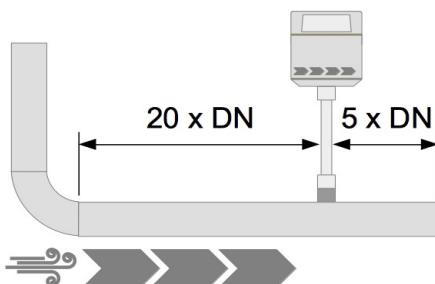
- Expansion



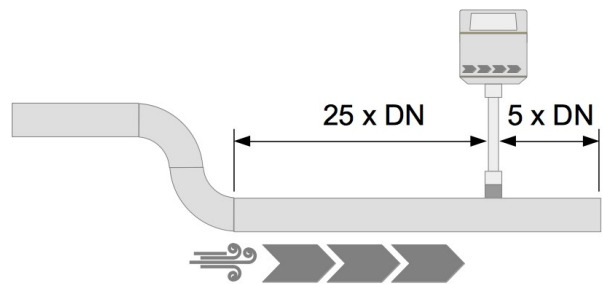
- Reduction



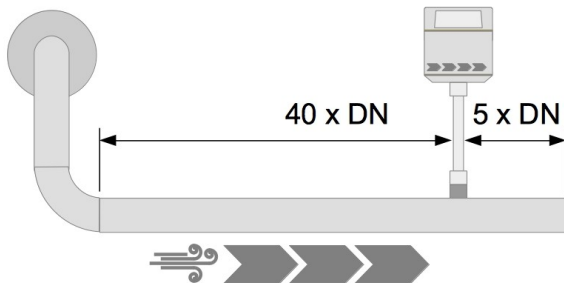
- 90° Bend



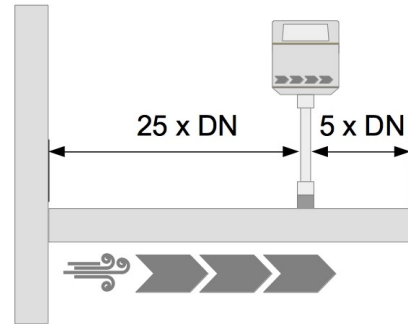
- 2 x 90° Bend



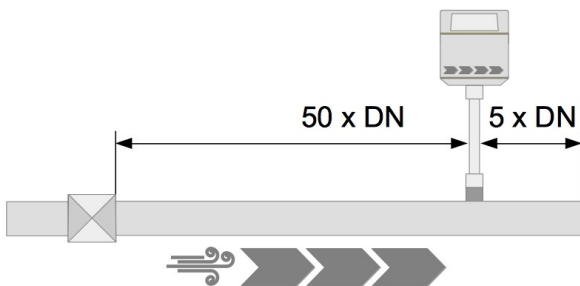
- 3 dimensional Bend



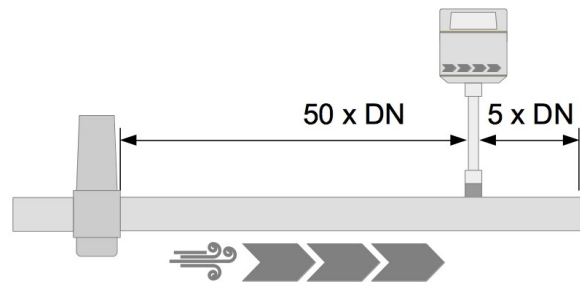
- T-piece



- Shut-off valve



- Filter or similar (unknown objects)



## 8. Sensor installation

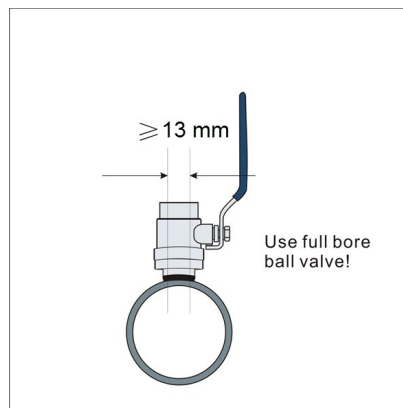
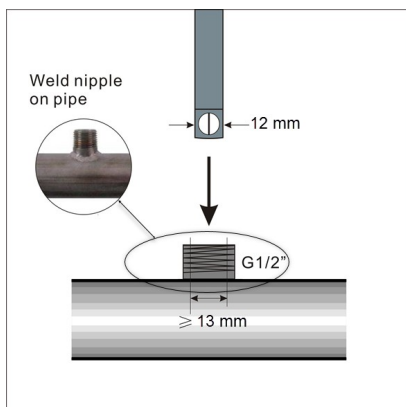
Before installing the sensor, please make sure that all components listed below are included in your package.

Qty	Description	Item no.
1	Sensor	S695 4100 S695 4101 S695 4102 S695 4103
1	Sealing ring	No P/N
1	Alignment key	No P/N
2	M12 plug	C219 0059
1	Instruction manual	No P/N
1	Calibration certificate	No P/N

### 8.1 Installation requirements

To install the sensor, a ball valve or a nozzle is needed.

- The inner thread must be G 1/2".
- The diameter of the hole must be  $\geq 13$  mm, otherwise the shaft can not be inserted.



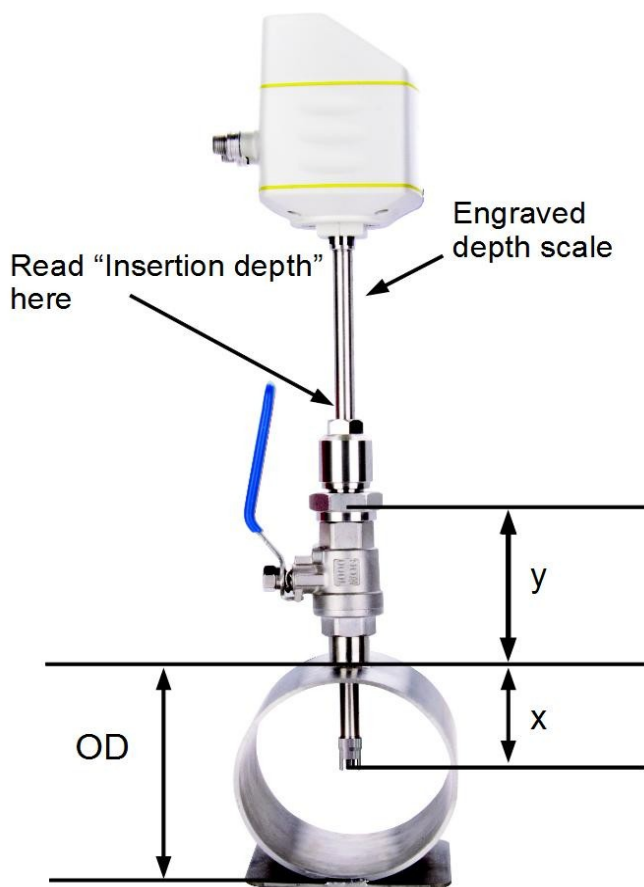
## 8.2 Installation procedure

The following steps explain the procedure of an appropriate installation.

### Determination of the insertion depth of the sensor

The sensor tip must be placed in the center of the pipe. For this the probe shaft has a scale. To determine the right position please calculate the insertion depth as described below.

Center installation is the default and recommended installation type.



$$\text{Insertion depth} = x + y$$

$$x = \frac{OD}{2}; OD \text{ is Outer Diameter of the pipe}$$

$$y = \text{length of the ball valve}$$

Calculation example:

A 2"-diameter pipe and an 87 mm-length ball valve:

$$OD = 60.3 \text{ mm}$$

$$x = \frac{OD}{2} = \frac{60.3 \text{ mm}}{2} = 30.15 \text{ mm}$$

$$y = 87 \text{ mm};$$

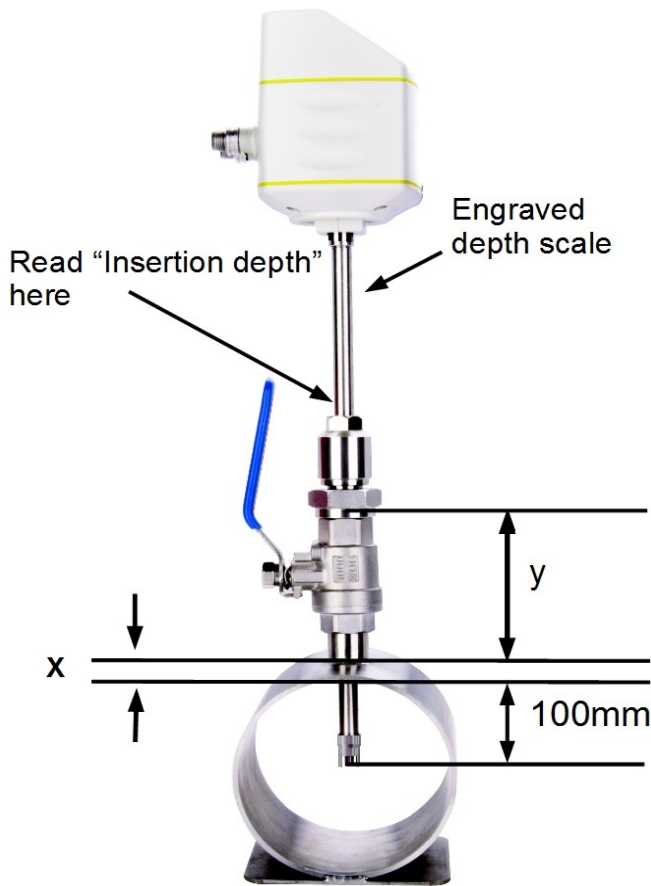
**Insertion depth**

$$= 30.15 \text{ mm} + 87 \text{ mm} = 117.15 \text{ mm}$$



### Alternative Installation Method

For bigger pipe diameters (>200 mm) the sensor can be installed with only a 100 mm insertion depth as alternative method. This allows one sensor to be used for all pipe sizes. Attention: This method requires a setting on the local display or through the service software.



**Insertion depth** =  $x + y + 100$   
 $x$  is the wall thickness of pipe  
 $y$  = length of the ball valve

Calculation example:

A 12"-diameter pipe with the wall thickness of 9 mm and a 87 mm-length ball valve.

$x = 9 \text{ mm}$  ;  $y = 87 \text{ mm}$

**Insertion depth**  
 =  $9 \text{ mm} + 87 \text{ mm} + 100 \text{ mm} = 196 \text{ mm}$

### Installation of the sensor

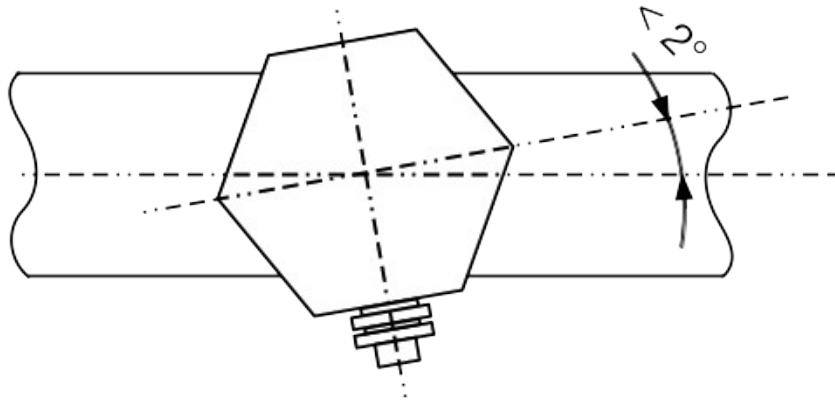


First please observe the flow direction indicated on the housing or on the shaft. It must match the flow direction of the compressed air or gas.



1. Ball valve has to be closed.
2. The sensor head must be completely covered by the connection thread (see photo on the left).
3. Underlay the "O-ring" at the thread of the ball valve before screwing the flow sensor.
4. Screw the connection thread tightly to the ball valve and align flow sensor to flow direction.
5. Open ball valve.
6. Move flow sensor slightly to the determined insertion depth by means of the scale.
7. Tighten the clamp sleeve at the connection thread so that the flow sensor can not longer be moved by the pressure in the pipe, however it should be possible to move the sensor shaft manually.
8. With the aid of the alignment key make sure that the actual flow direction is same as the arrow shows (the angle deviation should not be larger than  $\pm 2^\circ$  to the perfect position, please see picture on the next page).
9. Tighten clamp sleeve with clamping torque 20 ... 30 Nm.
10. During the final check control the installation depth again because sometimes the shaft is moved from its original position due the compressed air.

Maximum angle deviation of a proper installation:

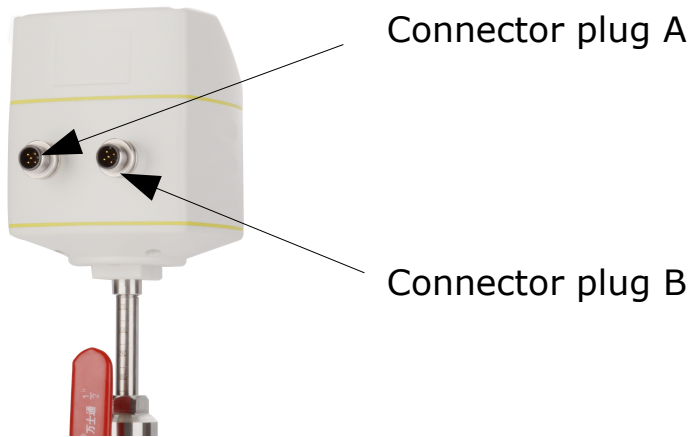


### Removal of the sensor

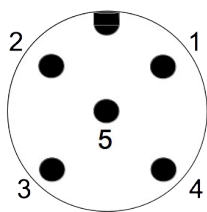
1. Hold the flow sensor.
2. Release the clamp sleeve at the connection thread.
3. Pull out the shaft slowly until the value "10" can be read at the scale.
4. Close the ball valve.
5. Release the connection thread and unscrew the flow sensor.

### 8.3 Electrical connection

The flow sensor is equipped with two Connector plugs "A" and "B". The cables are connected to the sensor through the M12 connector.



#### Connection pins connector plug M12



Connection pins  
(top view on the sensor)

## Pin assignment connector plug M12

Output Version	Connector	Pin 1	Pin 2	Pin 3	Pin 4	Pin 5
Modbus (P/N: A1411)	A	SDI	-VB	+VB	DIR	DIR
	B	GND	-VB	+VB	D+	D-
4 ... 20mA plus pulse (P/N: A1410)	A	SDI	-VB	+VB	DIR	DIR
	B	NA	SW	SW	+I	-I
4 ... 20mA plus pulse, compatible to S 400 (P/N: A1413)	A	SDI	-VB	+VB	+I	+P
	B	NA	-VB	DIR	SW	SW
Wire colour		brown	white	blue	black	grey

### Legend to pin assignment

GND:	Ground for Modbus
SDI:	Digital signal (internal use)
-VB:	Negative supply voltage
+VB:	Positive supply voltage
+I:	Positive 4 ... 20 mA signal
-I:	Negative 4 ... 20 mA signal
+P:	Pulse output

SW:	Isolated pulse output
DIR	Flow direction input
D+:	Modbus data +
D-:	Modbus data -
M:	M-Bus data
NA:	Not applicable



### ATTENTION!

**Do not screw the M12 plug using force. Otherwise, it may damage the connecting pins.**

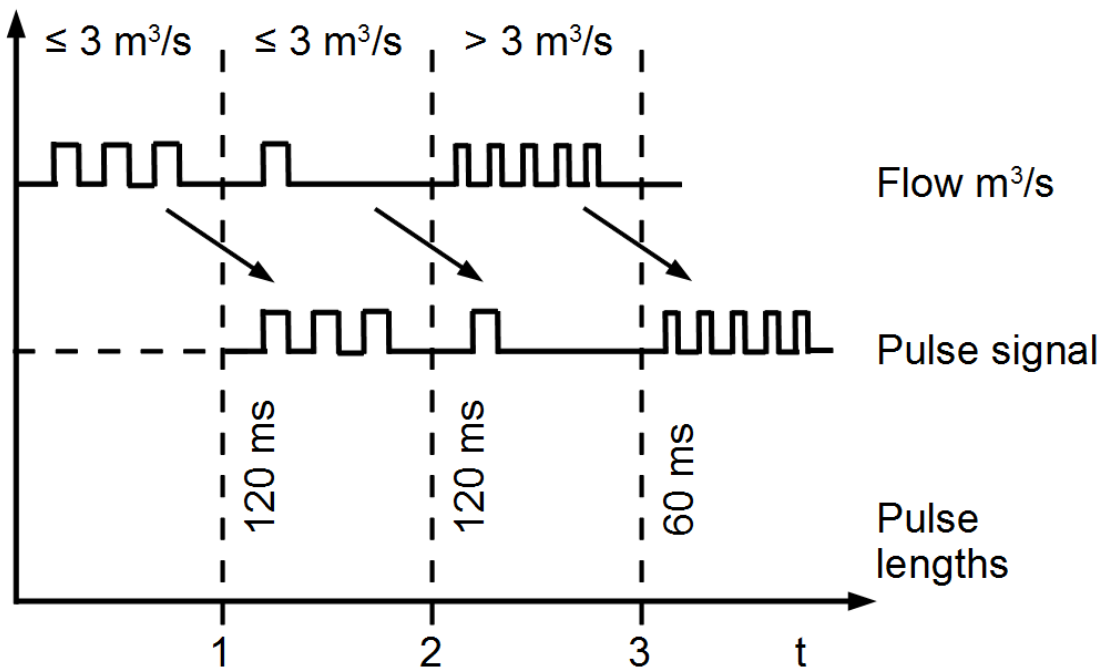
## 9. Sensor signal outputs

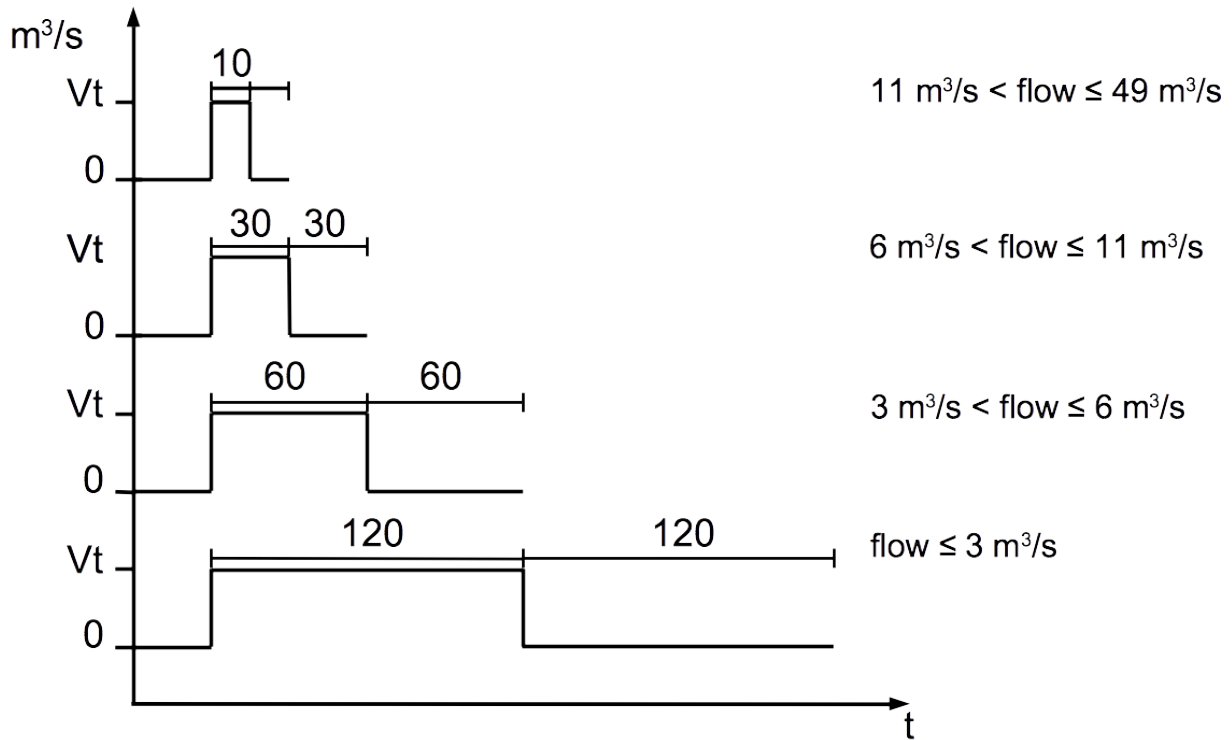
### 9.1 Analog output

The sensor has an analog output range of 4 ... 20 mA. This output can be scaled to match a desired measuring range. Standard scaling is from 0 to max flow. The corresponding flow in different pipe sizes can be found in the Appendix section. For other ranges, please contact the manufacturer.

### 9.2 Pulse output

The sensor will send out one pulse per consumption unit. This pulse output can be connected to an external pulse counter to count the total consumption. The number of m<sup>3</sup> per second are summed up and indicated after one second. Pulse length depends on flow rate.



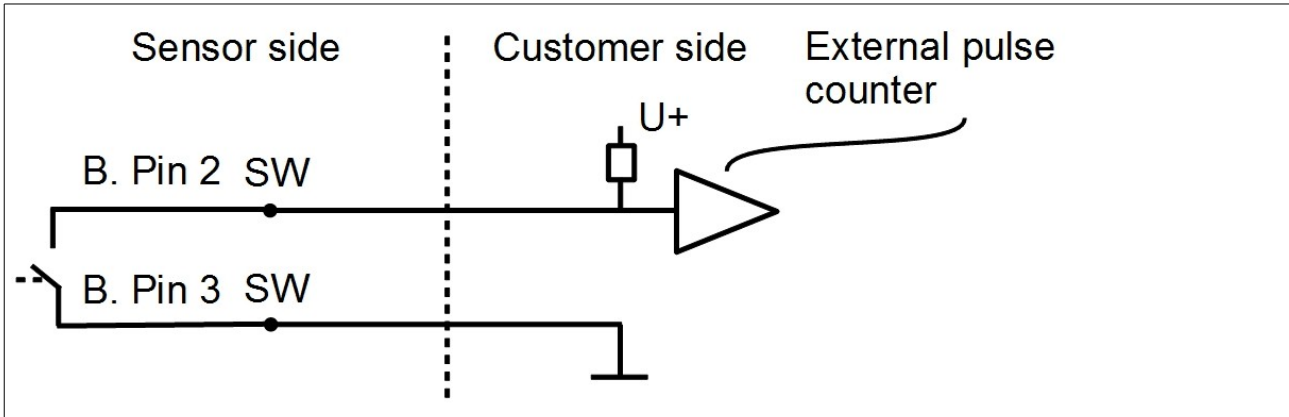


In case the flow rate is too high the S401 can not output the pulses with default settings (one pulse per consumption unit). For this the pulse can be set by our service software or a connected display to 1 pulse per 10 consumption units or 1 pulse per 100 consumption units. For example, if set to 1 pulse per 10 m<sup>3</sup>, the sensor will send one pulse each 10 m<sup>3</sup>. Example (1 pulse per 10 m<sup>3</sup>):

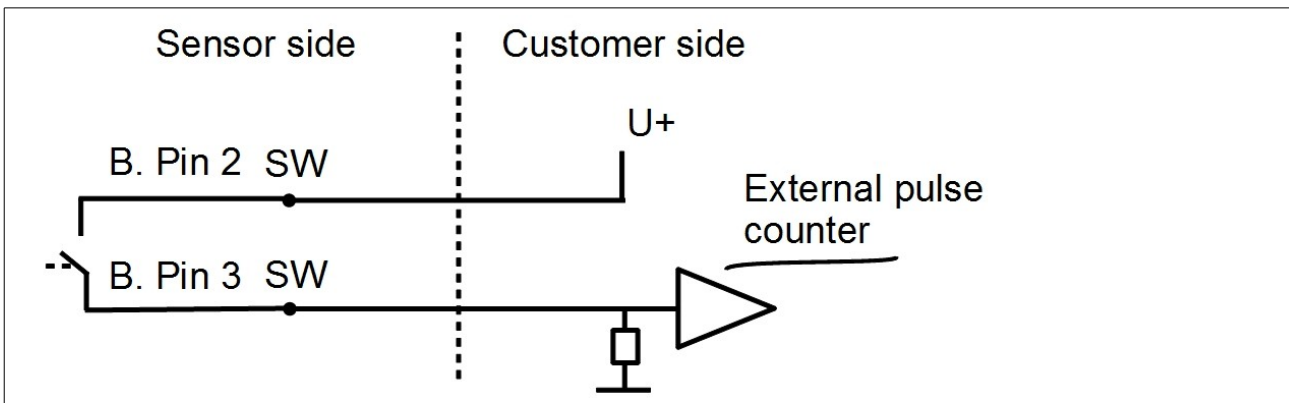
Volumetric flow [m <sup>3</sup> /s]	Volumetric flow [m <sup>3</sup> /h]	Pulse length [ms]	Max. pulse output per hour
≤ 3	≤ 10800	120	1080
> 3	> 10800	60	2880
> 6	> 21600	30	3960

### 9.2.1 Pulse connection diagram

Variant 1:



Variant 2:





### 9.3 Modbus output

Mode	: RTU
Baud rate	: 19200
Device address	: 1
Framing / parity / stop bit	: 8, N, 1
Response time	: 1 second
Response delay	: 0 ms
Inter-frame spacing	: 7 char

#### Remarks

- Modbus communication settings can be changed by the service software.

Index	Channel description	Resolution	Format	Length	Modbus address
1	Flow	0.1	FLOAT	4 Byte	6
2	Consumption	1	UNIT32	4 Byte	8
3	Temperature	0.1	FLOAT	4 Byte	0
4	Reverse consumption	1	UNIT32	4 Byte	14
5	Flow Direction Indication	1	UNIT32	4 Byte	42

#### Remark


- All numbers are in the little-endian format.
- Function code: 03.
- Different units have different resolutions.
- The measurement value is always available in the programmed physical unit.

Flow direction	Flow direction indication
Forward	0
Reverse	1


### 10. Sensor display (option)

With the Sensor display it is possible to show the value of the flow and the consumption. Moreover it shows error messages and it is possible to change the configuration setting of the sensor.



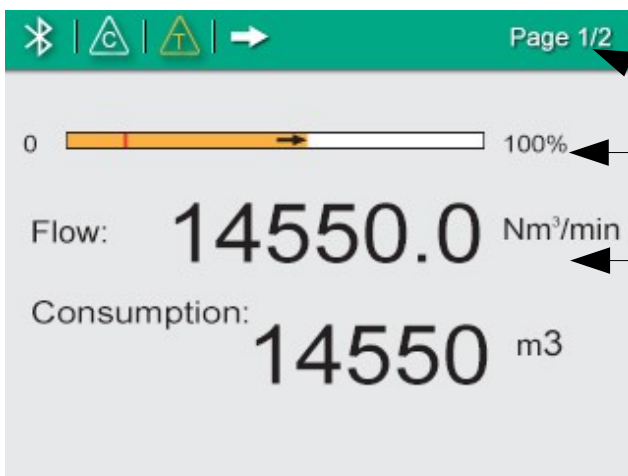
“Enter key” = 

“Up key” = 

“Down key” = 

#### 10.1 Starting process

After powered up, the display starts automatically with an initialisation procedure. During the next eight seconds the display will show the current software version and build the connection to the sensor. Now the display goes to the standard mode, showing the online values.



Home page:

- Status bar
- Moving bar to indicate flow value
- Measuring values

Icons are shown in the status bar indicating status or warnings for the sensor in service. The following table provides descriptions for these icons.

Icon	Description
	Calibration expired
	Temperature over operating range
	Flows over measuring range
	Pressure over operating range

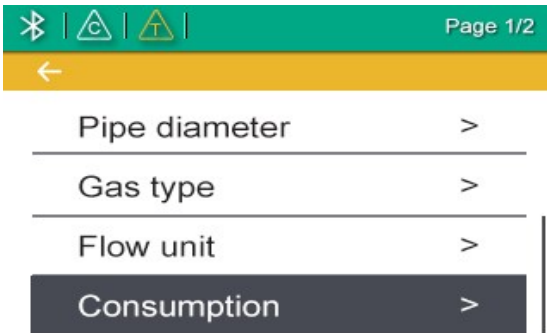
Icon	Description
	Pressure sensor damaged
	Temperature sensor damaged
	Flow direction

### 10.2 Configuration using the display

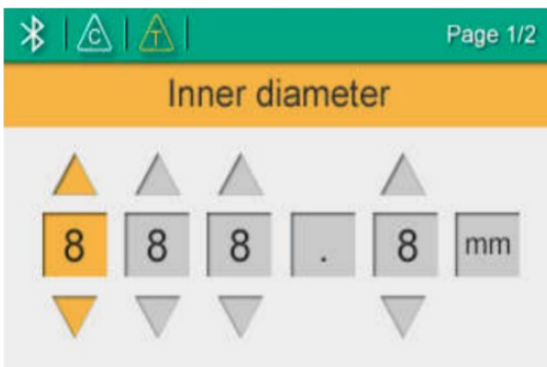
The following settings can be changed via display or service software.

- Pipe diameter – for flow calculation.
- Gas type – select the gas to be measured.
- Flow unit – select unit for flow value.

For this please observe the following steps:

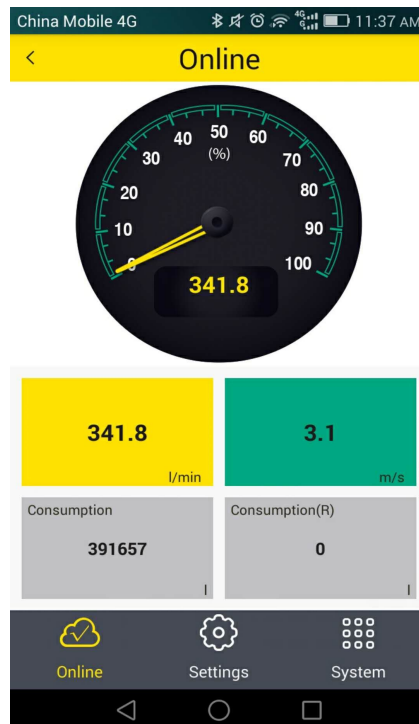


1. Please press "Enter" (>3s) key to check and change settings (unlock code:12).
2. Use the "Up" and "Down" key on the keyboard to choose the setting which should be changed.



3. Also use these two buttons to select desired entry box or adjust the values.
4. Please press "Enter" button to confirm the changes.

## 11. Service App S4C-FS



Please download the service app from the Google Play in case you need to have any settings changed on the S401. The app runs on any Android system with BlueTooth supported. To change settings the app needs to scan the QR code on the calibration certificate at first. This ensures that only valid users can access the sensor settings.



### **ATTENTION!**

**Changes on the settings may lead to wrong measurement results! Contact manufacturer in case you are not familiar with the settings.**

## 12. Calibration

The sensor is calibrated ex work. The exact calibration date is printed on the certificate which is supplied together with the sensor. The accuracy of the sensor is regulated by the onsite conditions, and parameters like oil, high humidity or other impurities can affect the calibration and furthermore the accuracy. However we recommend to calibrate the instrument at least once per year. The calibration is excluded from the instruments warranty. For this please contact the manufacturer.

## 13. Maintenance

To clean the sensor it is recommended to use distilled water or isopropyl alcohol only.



### **ATTENTION!**

**Do not touch the surface of the sensor plate.**

**Avoid mechanical impact on the sensor (e.g with a sponge or a brush).**

If the contamination can not be removed the sensor must be inspected and maintained by the manufacturer.

## 14. Disposal or waste



Electronic devices are recyclable material and do not belong in the household waste.

The sensor, the accessories and its packings must be disposed according to your local statutory requirements.

The dispose can also be carried by the manufacturer of the product, for this please contact the manufacturer.

## 15. Warranty

SUTO provides a warranty for this product of 24 months covering the material and workmanship under the stated operating conditions from the date of delivery. Please report any findings immediately and within the warranty time. If faults occur during the warranty time SUTO will repair or replace the defective unit, without charge for labour and material costs but there is a charge for other service such as transport

and packing costs.

Excluded from this warranty is:

- Damage caused by:
  - Improper use and non-adherence to the instruction manual.
  - Use of unsuitable accessories.
  - External influences (e.g. damage caused by vibration, damage during transportation, excess heat or moisture).

The warranty is cancelled:

- If the user opens the measurement instrument without a direct request written in this instruction manual.
- If repairs or modifications are undertaken by third parties or unauthorised persons.
- If the serial number has been changed, damaged or removed. Other claims, especially those for damage occurring outside the instrument are not included unless responsibility is legally binding.

Warranty repairs do not extend the period of warranty.



**ATTENTION!**

**Batteries have a reduced warranty time of 12 month.**

## 16. Appendix A - Analogue output

Scaling table of analogue output:

Standard range medium: Air at ISO 1217; 20°C; 1000 mbar

Tube			Flow							
inch	PLF	mm	m <sup>3</sup> /h	m <sup>3</sup> /min	l/min	l/s	cfm	kg/h	kg/min	kg/s
1/2"	0.671	<b>16.10</b>	45.6	0.76	759.8	12.66	26.8	54.1	0.90	0.02
3/4"	0.722	<b>21.70</b>	89.1	1.49	1485.2	24.75	52.4	105.8	1.76	0.03
1"	0.746	<b>25.00</b>	122.2	2.04	2036.8	33.95	71.9	145.2	2.42	0.04
	0.750	<b>26.00</b>	132.9	2.21	2214.8	36.91	78.2	157.8	2.63	0.04
	0.756	<b>27.30</b>	147.7	2.46	2461.3	41.02	86.9	175.4	2.92	0.05
	0.761	<b>28.50</b>	162.0	2.70	2700.2	45.00	95.4	192.4	3.21	0.05
	0.767	<b>30.00</b>	180.9	3.02	3015.5	50.26	106.5	214.9	3.58	0.06
1 1/4"	0.776	<b>32.80</b>	218.8	3.65	3647.0	60.78	128.8	259.9	4.33	0.07
	0.784	<b>36.00</b>	266.3	4.44	4438.6	73.98	156.7	316.3	5.27	0.09
	0.785	<b>36.30</b>	271.1	4.52	4518.6	75.31	159.6	322.0	5.37	0.09
1 1/2"	0.792	<b>39.30</b>	320.6	5.34	5343.6	89.06	188.7	380.8	6.35	0.11
	0.793	<b>40.00</b>	332.6	5.54	5542.6	92.38	195.7	395.0	6.58	0.11
	0.797	<b>41.80</b>	365.0	6.08	6083.2	101.39	214.8	433.5	7.23	0.12
	0.800	<b>43.10</b>	389.5	6.49	6491.8	108.20	229.3	462.6	7.71	0.13
	0.804	<b>45.80</b>	442.0	7.37	7367.3	122.79	260.2	525.0	8.75	0.15
2"	0.810	<b>50.00</b>	530.8	8.85	8846.0	147.43	312.4	630.4	10.51	0.18
	0.811	<b>51.20</b>	557.2	9.29	9287.1	154.79	328.0	661.9	11.03	0.18
	0.812	<b>53.10</b>	600.1	10.00	10001.5	166.69	353.2	712.8	11.88	0.20
	0.813	<b>54.50</b>	632.9	10.55	10548.8	175.81	372.5	751.8	12.53	0.21
	0.818	<b>57.50</b>	708.9	11.81	11814.4	196.91	417.2	842.0	14.03	0.23
	0.820	<b>60.00</b>	773.7	12.90	12895.5	214.92	455.4	919.0	15.32	0.26
	0.823	<b>64.20</b>	889.1	14.82	14818.0	246.97	523.3	1056.0	17.60	0.29
2 1/2"	0.824	<b>65.00</b>	912.5	15.21	15208.1	253.47	537.1	1083.8	18.06	0.30
	0.825	<b>68.90</b>	1026.5	17.11	17108.6	285.14	604.2	1219.3	20.32	0.34
	0.827	<b>70.30</b>	1071.2	17.85	17854.1	297.57	630.5	1272.4	21.21	0.35
	0.827	<b>71.10</b>	1095.8	18.26	18262.7	304.38	644.9	1301.5	21.69	0.36
	0.829	<b>76.10</b>	1258.3	20.97	20972.2	349.54	740.6	1494.6	24.91	0.42
3"	0.830	<b>80.00</b>	1392.3	23.20	23204.9	386.75	819.5	1653.7	27.56	0.46
	0.831	<b>82.50</b>	1482.5	24.71	24707.6	411.79	872.5	1760.8	29.35	0.49
	0.831	<b>84.90</b>	1570.0	26.17	26166.0	436.10	924.0	1864.7	31.08	0.52
	0.832	<b>90.00</b>	1766.4	29.44	29439.4	490.66	1039.6	2098.0	34.97	0.58
4"	0.833	<b>100.00</b>	2183.3	36.39	36388.6	606.48	1285.1	2593.3	43.22	0.72
	0.834	<b>107.10</b>	2507.4	41.79	41789.4	696.49	1475.8	2978.2	49.64	0.83
	0.834	<b>110.00</b>	2645.0	44.08	44083.1	734.72	1556.8	3141.6	52.36	0.87
5"	0.835	<b>125.00</b>	3419.6	56.99	56993.8	949.90	2012.7	4061.7	67.70	1.13
	0.835	<b>133.70</b>	3912.2	65.20	65203.4	1086.72	2302.6	4646.8	77.45	1.29
6"	0.836	<b>150.00</b>	4930.2	82.17	82169.3	1369.49	2901.8	5855.9	97.60	1.63
	0.836	<b>159.30</b>	5560.5	92.67	92674.2	1544.57	3272.8	6604.5	110.08	1.83
	0.837	<b>182.50</b>	7306.7	121.78	121778.9	2029.65	4300.6	8678.7	144.65	2.41
	0.837	<b>190.00</b>	7919.6	131.99	131993.8	2199.90	4661.3	9406.7	156.78	2.61
8"	0.838	<b>200.00</b>	8785.7	146.43	146428.3	2440.47	5171.1	10435.4	173.92	2.90
	0.838	<b>206.50</b>	9366.0	156.10	156100.8	2601.68	5512.6	11124.7	185.41	3.09
10"	0.839	<b>250.00</b>	13744.0	229.07	229067.2	3817.79	8089.4	16324.7	272.08	4.53
	0.840	<b>260.40</b>	14929.1	248.82	248818.2	4146.97	8786.9	17732.3	295.54	4.93
12"	0.840	<b>300.00</b>	19815.0	330.25	330249.9	5504.16	11662.7	23535.6	392.26	6.54
	0.840	<b>309.70</b>	21117.1	351.95	351951.3	5865.85	12429.0	25082.2	418.04	6.97
	0.840	<b>339.60</b>	25391.4	423.19	423190.1	7053.17	14944.8	30159.1	502.65	8.38
	0.840	<b>400.00</b>	35226.7	587.11	587110.9	9785.18	20733.6	41841.1	697.35	11.62
	0.840	<b>500.00</b>	55041.6	917.36	917360.8	15289.35	32396.3	65376.8	1089.61	18.16
	0.840	<b>600.00</b>	79260.0	1321.00	1320999.5	22016.66	46650.7	94142.5	1569.04	26.15
	0.840	<b>700.00</b>	107881.6	1798.03	1798027.1	29967.12	63496.8	128138.5	2135.64	35.59
	0.840	<b>800.00</b>	140906.6	2348.44	2348443.6	39140.73	82934.5	167364.5	2789.41	46.49
	0.840	<b>900.00</b>	178334.9	2972.25	2972248.9	49537.48	104964.0	211820.7	3530.35	58.84
	0.840	<b>1000.00</b>	220166.6	3669.44	3669443.1	61157.38	129585.2	261507.1	4358.45	72.64

Max. range medium: Air at ISO1217; 20°C; 1000 mbar

Tube		Flow							
inch	mm	m <sup>3</sup> /h	m <sup>3</sup> /min	l/min	l/s	cfm	kg/h	kg/min	kg/s
1/2"	16.10	90.98	1.52	1516.31	25.27	53.55	108.06	1.80	0.03
3/4"	21.70	177.84	2.96	2963.94	49.40	104.67	211.23	3.52	0.06
1"	25.00	243.88	4.06	4064.73	67.75	143.54	289.68	4.83	0.08
	26.00	265.20	4.42	4419.99	73.67	156.09	315.00	5.25	0.09
	27.30	294.72	4.91	4912.02	81.87	173.47	350.06	5.83	0.10
	28.50	323.32	5.39	5388.74	89.81	190.30	384.03	6.40	0.11
	30.00	361.08	6.02	6017.98	100.30	212.52	428.88	7.15	0.12
1 1/4"	32.80	436.69	7.28	7278.17	121.30	257.03	518.69	8.64	0.14
	36.00	531.48	8.86	8857.96	147.63	312.82	631.27	10.52	0.18
	36.30	541.06	9.02	9017.70	150.29	318.46	642.66	10.71	0.18
1 1/2"	39.30	639.84	10.66	10664.07	177.73	376.60	759.99	12.67	0.21
	40.00	663.68	11.06	11061.30	184.35	390.63	788.30	13.14	0.22
	41.90	731.90	12.20	12198.30	203.30	430.78	869.33	14.49	0.24
	43.10	777.34	12.96	12955.60	215.93	457.52	923.30	15.39	0.26
	45.80	882.17	14.70	14702.79	245.05	519.22	1047.81	17.46	0.29
2"	50.00	1059.23	17.65	17653.79	294.23	623.44	1258.12	20.97	0.35
	51.20	1112.05	18.53	18534.19	308.90	654.53	1320.86	22.01	0.37
	53.10	1197.59	19.96	19959.88	332.66	704.88	1422.46	23.71	0.40
	54.50	1263.13	21.05	21052.15	350.87	743.45	1500.31	25.01	0.42
	57.50	1414.66	23.58	23577.72	392.96	832.64	1680.29	28.00	0.47
	60.00	1544.12	25.74	25735.30	428.92	908.83	1834.06	30.57	0.51
	64.20	1774.33	29.57	29572.14	492.87	1044.33	2107.49	35.12	0.59
2 1/2"	65.00	1821.03	30.35	30350.57	505.84	1071.82	2162.97	36.05	0.60
	68.90	2048.60	34.14	34143.28	569.05	1205.76	2433.26	40.55	0.68
	70.30	2137.86	35.63	35631.08	593.85	1258.30	2539.29	42.32	0.71
	71.10	2186.80	36.45	36446.65	607.44	1287.10	2597.41	43.29	0.72
	76.10	2511.24	41.85	41853.97	697.57	1478.06	2982.77	49.71	0.83
3"	80.90	2841.44	47.36	47357.42	789.29	1672.41	3374.98	56.25	0.94
	82.50	2958.51	49.31	49308.50	821.81	1741.31	3514.03	58.57	0.98
	84.90	3133.15	52.22	52219.09	870.32	1844.10	3721.45	62.02	1.03
	90.00	3525.11	58.75	58751.80	979.20	2074.80	4187.01	69.78	1.16
4"	100.00	4357.22	72.62	72620.27	1210.34	2564.56	5175.37	86.26	1.44
	107.10	5003.91	83.40	83398.43	1389.97	2945.19	5943.48	99.06	1.65
	110.00	5278.56	87.98	87976.01	1466.27	3106.84	6269.71	104.50	1.74
5"	125.00	6824.50	113.74	113741.61	1895.69	4016.75	8105.93	135.10	2.25
	133.70	7807.53	130.13	130125.42	2168.76	4595.34	9273.54	154.56	2.58
6"	150.00	9839.04	163.98	163984.07	2733.07	5791.04	11686.51	194.78	3.25
	159.30	11096.91	184.95	184948.45	3082.47	6531.40	13180.56	219.68	3.66
	182.50	14581.94	243.03	243032.33	4050.54	8582.61	17319.98	288.67	4.81
	190.00	15805.08	263.42	263418.04	4390.30	9302.52	18772.79	312.88	5.21
8"	200.00	17533.48	292.22	292224.67	4870.41	10319.82	20825.73	347.10	5.78
	206.50	18691.68	311.53	311527.93	5192.13	11001.51	22201.39	370.02	6.17
10"	250.00	27428.75	457.15	457145.91	7619.10	16143.96	32579.03	542.98	9.05
	260.40	29793.76	496.56	496562.71	8276.05	17535.95	35388.11	589.80	9.83
12"	300.00	39544.48	659.07	659074.72	10984.58	23275.01	46969.71	782.83	13.05
	309.70	42143.03	702.38	702383.91	11706.40	24804.46	50056.19	834.27	13.90
	339.60	50673.25	844.55	844554.17	14075.90	29825.16	60188.12	1003.14	16.72
	400.00	70301.30	1171.69	1171688.40	19528.14	41377.80	83501.71	1391.70	23.19
	500.00	109845.79	1830.76	1830763.12	30512.72	64652.81	130471.43	2174.52	36.24
	600.00	158177.93	2636.30	2636298.89	43938.31	93100.05	187878.86	3131.31	52.19
	700.00	215297.74	3588.30	3588295.71	59804.93	126719.51	255724.00	4262.07	71.03



## 17. Appendix B - Modbus communication example

### 03 (0x03) Read holding register

Request		Response	
Slave address	1 byte	Slave address	1 byte
Function code	1 byte	Function code	1 byte
Starting address Hi	1 byte	Byte count	1 byte
Starting address Lo	1 byte	Register Hi	1 byte
No. of points Hi	1 byte	Register Lo	1 byte
No. of points Lo	1 byte	:	:
CRC	2 bytes	Register Hi	1 byte
		Register Lo	1 byte
		CRC	2 bytes

### 05 (0x05) Write single coil

Request		Response	
Slave address	1 byte	Slave address	1 byte
Function code	1 byte	Function code	1 byte
Coil address Hi	1 byte	Coil address Hi	1 byte
Coil address Lo	1 byte	Coil address Lo	1 byte
Data Hi	1 byte	Data Hi	1 byte
Data Lo	1 byte	Data L	1 byte
CRC	2 bytes	CRC	2 bytes

## 16 (0x10) Write multiple registers

Request		Response	
Slave address	1 byte	Slave address	1 byte
Function code	1 byte	Function code	1 byte
Starting address Hi	1 byte	Starting address Hi	1 byte
Starting address Lo	1 byte	Starting address Lo	1 byte
No. of registers Hi	1 byte	No. of registers Hi	1 byte
No. of registers Lo	1 byte	No. of registers Lo	1 byte
Byte count	1 byte	CRC	2 bytes
Data Hi	1 byte		
Data Lo	1 byte		
:	:		
Data Hi	1 byte		
Data Lo	1 byte		
CRC	2 bytes		

## 17 (0x11) Report slave ID

Request		Response	
Slave address	1 byte	Slave address	1 byte
Function code	1 byte	Function code	1 byte
CRC	2 bytes	Byte count	1 byte
		Slave ID	2 bytes
		Device run indicator	2 bytes
		Product code	2 bytes
		Product name	20 bytes
		CRC	2 bytes

## 18. Appendix C - LRC and CRC calculation

### LRC generation

The Longitudinal Redundancy Checking (LRC) field is one byte, containing an 8-bit binary value. The LRC value is calculated by the transmitting device, which appends the LRC to the message. The device that receives recalculates an LRC during receipt of the message, and compares the calculated value to the actual value it received in the LRC field. If the two values are not equal, an error results.

The LRC is calculated by adding together successive 8-bit bytes in the message, discarding any carries, and then two's complementing the result. The LRC is an 8-bit field, therefore each new addition of a character that would result in a value higher than 255 decimal simply 'rolls over' the field's value through zero. Because there is no ninth bit, the carry is discarded automatically.

A procedure for generating an LRC is:

1. Add all bytes in the message, excluding the starting 'colon' and ending CRLF. Add them into an 8-bit field, so that carries will be discarded.
2. Subtract the final field value from FF hex (all 1's) to produce the ones-complement.
3. Add 1 to produce the twos-complement.

### Placing the LRC into the Message

When the 8-bit LRC (2 ASCII characters) is transmitted in the message, the high-order character will be transmitted first, followed by the low-order character. For example, if the LRC value is 61 hex (0110 0001):

Colon	Addr	Func	Data Count	Data	Data	Data	Data	LRC Hi	LRC Lo	CR	LF
								"6" 0x36	"1" 0x31		

**Example:** an example of a C language function performing LRC generation is shown below.

The function takes two arguments:

```
unsigned char *auchMsg; /* A pointer to the message buffer containing binary data */
                    /* to be used for generating the LRC, */
unsigned short usDataLen; /* The quantity of bytes in the message buffer. */
```

**LRC generation function**

```
static unsigned char LRC(unsigned char *auchMsg, unsigned short usDataLen)
{
    unsigned char uchLRC = 0 ;                /* LRC char initialized */
    while (usDataLen-->0)                    /* pass through message buffer */
        uchLRC += *auchMsg++;                /* add buffer byte without carry */
    return ((unsigned char)(~((char)uchLRC))) ; /* return twos complement */
}
```

**CRC generation**

The **C**yclical **R**edundancy **C**hecking (CRC) field is two bytes, containing a 16-bit binary value. The CRC value is first generated by the transmitting device, which appends the CRC to the message. The device that receives recalculates a CRC during receipt of the message, and compares the calculated value to the actual value it received in the CRC field. If the two values are not equal, an error results.

There are many ways of calculating a CRC checksum. To ensure correct calculation, please refer to [Reference 1] Modbus over serial line, where detailed descriptions and programming examples are available. Even more information and programming examples in different programming languages can be found on: [www.modbus.org](http://www.modbus.org) searching for CRC.

Below is a short text description of how the CRC is calculated. This description is then followed by a C programming example.

1. Load a 16-bit register with FFFF hex (all 1's). Call this the CRC register.
2. Exclusive OR the first 8-bit byte of the message with the low-order byte of the 16-bit CRC register, putting the result in the CRC register.
3. Shift the CRC register one bit to the right (toward the LSB), zero-filling the MSB. Extract and examine the LSB.
4. (If the LSB was 0): Repeat step 3 (another shift). (If the LSB was 1): Exclusive OR the CRC register with the polynomial value 0xA001 (1010 0000 0000 0001).
5. Repeat steps 3 and 4 until 8 shifts have been performed. When this is done, a complete 8-bit byte will have been processed.
6. Repeat steps 2 through 5 for the next 8-bit byte of the message. Continue doing this until all bytes have been processed.

7. The final content of the CRC register is the CRC value.
8. When the CRC is placed into the message, its upper and lower bytes must be swapped as described below.

### Placing the CRC into the message

When the 16-bit CRC (two 8-bit bytes) is transmitted in the message, the low-order byte will be transmitted first, followed by the high-order byte.

For example, if the CRC value is 1241 hex (0001 0010 0100 0001):

Addr	Func	Data count	Data	Data	Data	Data	CRC Lo	CRC Hi
							0x41	0x12

### High-order byte table

/\* Table of CRC values for high-order byte \*/

```
static unsigned char auchCRChi[] = {
0x00, 0xC1, 0x81, 0x40, 0x01, 0xC0, 0x80, 0x41, 0x01, 0xC0, 0x80, 0x41, 0x00,
0xC1, 0x81, 0x40, 0x01, 0xC0, 0x80, 0x41, 0x00, 0xC1, 0x81, 0x40, 0x00, 0xC1,
0x81, 0x40, 0x01, 0xC0, 0x80, 0x41, 0x01, 0xC0, 0x80, 0x41, 0x00, 0xC1, 0x81,
0x40, 0x00, 0xC1, 0x81, 0x40, 0x01, 0xC0, 0x80, 0x41, 0x00, 0xC1, 0x81, 0x40,
0x01, 0xC0, 0x80, 0x41, 0x01, 0xC0, 0x80, 0x41, 0x00, 0xC1, 0x81, 0x40, 0x01,
0xC0, 0x80, 0x41, 0x00, 0xC1, 0x81, 0x40, 0x00, 0xC1, 0x81, 0x40, 0x01, 0xC0,
0x80, 0x41, 0x00, 0xC1, 0x81, 0x40, 0x01, 0xC0, 0x80, 0x41, 0x01, 0xC0, 0x80,
0x41, 0x00, 0xC1, 0x81, 0x40, 0x00, 0xC1, 0x81, 0x40, 0x01, 0xC0, 0x80, 0x41,
0x01, 0xC0, 0x80, 0x41, 0x00, 0xC1, 0x81, 0x40, 0x01, 0xC0, 0x80, 0x41, 0x00,
0xC1, 0x81, 0x40, 0x00, 0xC1, 0x81, 0x40, 0x01, 0xC0, 0x80, 0x41, 0x01, 0xC0,
0x80, 0x41, 0x00, 0xC1, 0x81, 0x40, 0x00, 0xC1, 0x81, 0x40, 0x01, 0xC0, 0x80,
0x41, 0x01, 0xC0, 0x80, 0x41, 0x00, 0xC1, 0x81, 0x40, 0x01, 0xC0, 0x80, 0x41,
0x00, 0xC1, 0x81, 0x40, 0x01, 0xC0, 0x80, 0x41, 0x00, 0xC1, 0x81, 0x40, 0x01,
0xC0, 0x80, 0x41, 0x01, 0xC0, 0x80, 0x41, 0x00, 0xC1, 0x81, 0x40, 0x00, 0xC1,
0x81, 0x40, 0x01, 0xC0, 0x80, 0x41, 0x00, 0xC1, 0x81, 0x40, 0x01, 0xC0, 0x80,
0x41, 0x01, 0xC0, 0x80, 0x41, 0x00, 0xC1, 0x81, 0x40
};
```

### Low-order byte table

/\* Table of CRC values for low-order byte \*/

```
static char auchCRCLo[] = {
0x00, 0xC0, 0xC1, 0x01, 0xC3, 0x03, 0x02, 0xC2, 0xC6, 0x06, 0x07, 0xC7, 0x05,
0xC5, 0xC4, 0x04, 0xCC, 0x0C, 0x0D, 0xCD, 0x0F, 0xCF, 0xCE, 0x0E, 0x0A, 0xCA,
0xCB, 0x0B, 0xC9, 0x09, 0x08, 0xC8, 0xD8, 0x18, 0x19, 0xD9, 0x1B, 0xDB, 0xDA,
0x1A, 0x1E, 0xDE, 0xDF, 0x1F, 0xDD, 0x1D, 0x1C, 0xDC, 0x14, 0xD4, 0xD5, 0x15,
0xD7, 0x17, 0x16, 0xD6, 0xD2, 0x12, 0x13, 0xD3, 0x11, 0xD1, 0xD0, 0x10, 0xF0,
```

```

0x30, 0x31, 0xF1, 0x33, 0xF3, 0xF2, 0x32, 0x36, 0xF6, 0xF7, 0x37, 0xF5, 0x35,
0x34, 0xF4, 0x3C, 0xFC, 0xFD, 0x3D, 0xFF, 0x3F, 0x3E, 0xFE, 0xFA, 0x3A, 0x3B,
0xFB, 0x39, 0xF9, 0xF8, 0x38, 0x28, 0xE8, 0xE9, 0x29, 0xEB, 0x2B, 0x2A, 0xEA,
0xEE, 0x2E, 0x2F, 0xEF, 0x2D, 0xED, 0xEC, 0x2C, 0xE4, 0x24, 0x25, 0xE5, 0x27,
0xE7, 0xE6, 0x26, 0x22, 0xE2, 0xE3, 0x23, 0xE1, 0x21, 0x20, 0xE0, 0xA0, 0x60,
0x61, 0xA1, 0x63, 0xA3, 0xA2, 0x62, 0x66, 0xA6, 0xA7, 0x67, 0xA5, 0x65, 0x64,
0xA4, 0x6C, 0xAC, 0xAD, 0x6D, 0xAF, 0x6F, 0x6E, 0xAE, 0xAA, 0x6A, 0x6B, 0xAB,
0x69, 0xA9, 0xA8, 0x68, 0x78, 0xB8, 0xB9, 0x79, 0xBB, 0x7B, 0x7A, 0xBA, 0xBE,
0x7E, 0x7F, 0xBF, 0x7D, 0xBD, 0xBC, 0x7C, 0xB4, 0x74, 0x75, 0xB5, 0x77, 0xB7,
0xB6, 0x76, 0x72, 0xB2, 0xB3, 0x73, 0xB1, 0x71, 0x70, 0xB0, 0x50, 0x90, 0x91,
0x51, 0x93, 0x53, 0x52, 0x92, 0x96, 0x56, 0x57, 0x97, 0x55, 0x95, 0x94, 0x54,
0x9C, 0x5C, 0x5D, 0x9D, 0x5F, 0x9F, 0x9E, 0x5E, 0x5A, 0x9A, 0x9B, 0x5B, 0x99,
0x59, 0x58, 0x98, 0x88, 0x48, 0x49, 0x89, 0x4B, 0x8B, 0x8A, 0x4A, 0x4E, 0x8E,
0x8F, 0x4F, 0x8D, 0x4D, 0x4C, 0x8C, 0x44, 0x84, 0x85, 0x45, 0x87, 0x47, 0x46,
0x86, 0x82, 0x42, 0x43, 0x83, 0x41, 0x81, 0x80, 0x40
};
unsigned short CRC16(unsigned char *puchMsg, unsigned short usDataLen){
    unsigned char uchCRCHi = 0xFF;          /* high byte of CRC initialized
*/
    unsigned char uchCRCLo = 0xFF;        /* low byte of CRC initialized
*/
    unsigned uIndex ;                     /* will index into CRC lookup
table */
    while(usDataLen--)                    /* pass through message
buffer */
    {
        uIndex = uchCRCHi ^ *puchMsg++ ;   /* calculate the CRC */
        uchCRCHi = uchCRCLo ^ uchCRCHi[uIndex] ;
        uchCRCLo = uchCRCLo[uIndex] ;
    }
    return (unsigned short int)((uchCRCHi << 8) | uchCRCLo);
}

```



**FCC Statement:**

This device complies with part 15 of the FCC rules. Operation is subject to the following two conditions: (1) this device may not cause harmful interference, and (2) this device must accept any interference received, including interference that may cause undesired operation.

**NOTE:** The manufacturer is not responsible for any radio or TV interference caused by unauthorized modifications to this equipment. Such modifications could void the user's authority to operate the equipment.

**NOTE:** This equipment has been tested and found to comply with the limits for a Class B digital device, pursuant to part 15 of the FCC Rules. These limits are designed to provide reasonable protection against harmful interference in a residential installation. This equipment generates uses and can radiate radio frequency energy and, if not installed and used in accordance with the instructions, may cause harmful interference to radio communications. However, there is no guarantee that interference will not occur in a particular installation. If this equipment does cause harmful interference to radio or television reception, which can be determined by turning the equipment off and on, the user is encouraged to try to correct the interference by one or more of the following measures:

- Reorient or relocate the receiving antenna.
- Increase the separation between the equipment and receiver.
- Connect the equipment into an outlet on a circuit different from that to which the receiver is connected.
- Consult the dealer or an experienced radio/TV technician for help
- This device and its antenna(s) must not be co-located or operating in conjunction with any other antenna or transmitter.

**RF Exposure Information and Statement :**

This equipment complies with FCC radiation exposure limits set forth for an uncontrolled environment. This equipment should be installed and operated with minimum distance of 20 cm between the radiator and your body. This transmitter must not be co-located or operating in conjunction with any other antenna or transmitter



---

---

**SUTO iTEC GmbH**

Werkstr. 2  
79426 Buggingen  
Germany

Tel: +49 (0) 7631 936889-0  
Fax: +49 (0) 7631 936889-19  
Email: [sales@suto-itec.com](mailto:sales@suto-itec.com)  
Website: <http://www.suto-itec.com>

**SUTO iTEC (ASIA) Co., Ltd.**

Room 10, 6/F, Block B, Cambridge Plaza  
188 San Wan Road, Sheung Shui, N.T.  
Hong Kong

Tel: +852 2328 9782  
Fax: +852 2671 3863  
Email: [sales@suto-itec.asia](mailto:sales@suto-itec.asia)  
Website: <http://www.suto-itec.com>