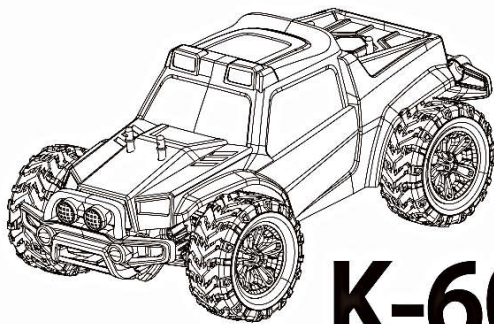
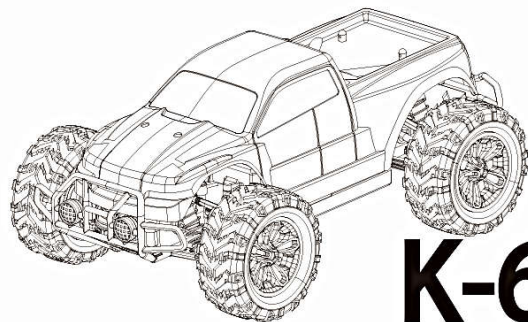


14+

Instruction Manual



K-60



K-61

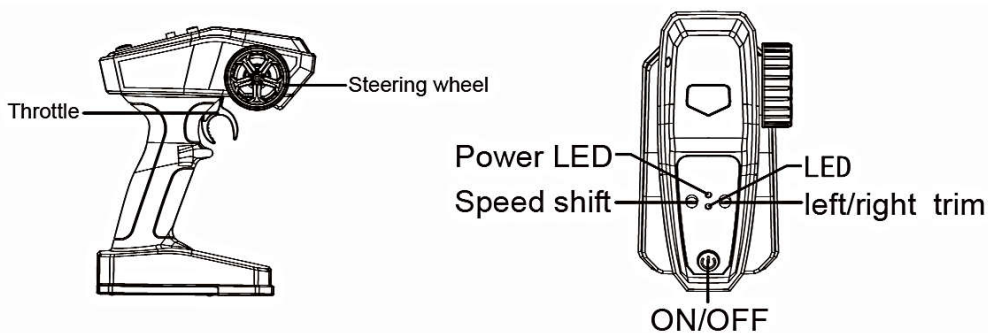
1:16 Full-scale 4WD Vehicle

Thank you for purchasing one of our toy products. To ensure that you get the most out of your new purchase, please read these instructions carefully before using the toy for the first time. They contain important information on how to operate the product.

! Notes

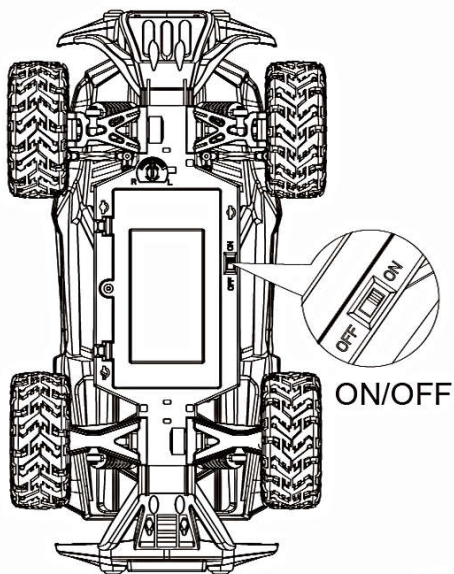
- This product is not suitable for children aged 3 or under. When using electrical products, precautions must be taken to prevent the risk of an electric shock.
- Ensure adult supervision at all times.
- Do not attempt to modify or re-assemble this product. Unauthorized changes may void your right to use the product.
- There are small parts in this product. The children should play it with the guard of the adults, and never swallow the small parts into their mouth.

Introduction of Remote control

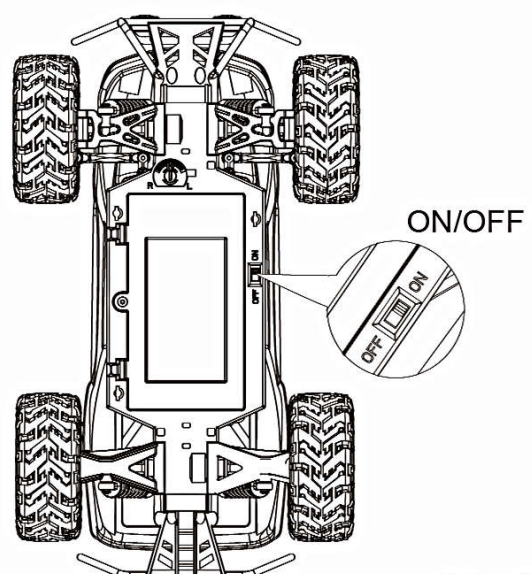


- If the vehicle deviates to the left when driving straightly, adjust the direction by turning the “R/L” button to the right until vehicle come back to the proper direction.
- If the vehicle deviates to the right when driving straightly, adjust the direction by turning the “R/L” button to the left until vehicle come back to the proper direction.
- Speed shift: The vehicle speed can be adjusted by turning speed shift (Turn the speed shift from left to right to speed up the vehicle, turn the speed shift from right to left to slow down the vehicle) .

Introduction of Remote control vehicle



K-60



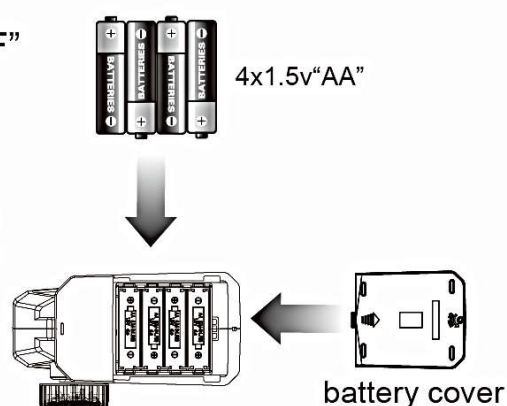
K-61

Using the vehicle

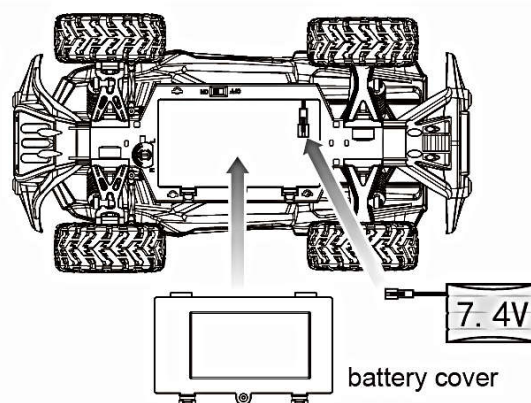
- Switch on the vehicle using the ON/OFF switch.
- Switch on the vehicle controller ON/OFF switch,make the frequency of the remote control and vehicle match each other,then you can operate the remote control vehicle.
- Switch off the vehicle and remote control after use.
- The playing time is about 18 mins.
- The control rang is about 60 meters, if out of 60 meters rang , it may lose control.

Inserting the remote control batteries

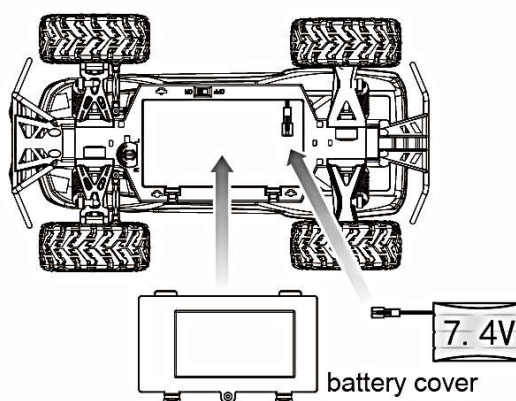
- 1.Check the ON/OFF switch is in the "OFF" position.
- 2.Use a screwdriver to loosen the screw.
- 3.Remove the battery cover.
- 4.According the polarity indicated inside in the remote control. Put the 4*AA battery into the battery compartment.
- 5.Put the battery cover back and tighten the screw.



- 1.Check the ON/OFF switch is in the "OFF" position.
- 2.Use a screwdriver to loosen the screw.
- 3.Remove the battery cover.
- 4.Install the battery as indicated in the picture on the right:
 - (1)Connect the rechargeable battery in the battery pack as indicated in the picture.
 - (2)The version of the AA battery must be guaranteed insert in the correct place.
- 5.Put the battery cover back and tighten the screw.



K-60 Battery inserting schematic



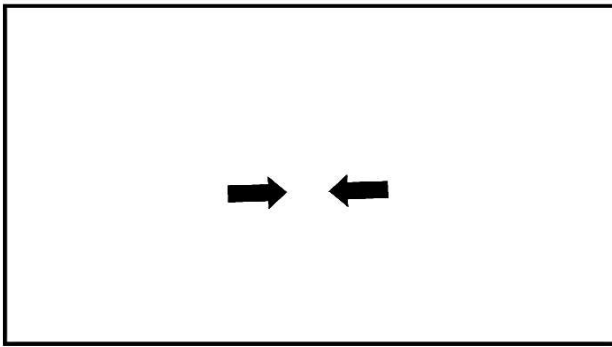
K-61 Battery inserting schematic

⚠ Note:

If breakdown occurs in the product, please take out the battery for one minute, and then reinstall it. If the breakdown still exists, please replace the battery. The battery can only be installed by the adults.

Charging the batteries

A. Sketch Map of the Recharging in A Vehicle Battery



Connect the battery terminal and the adaptor terminal



Plug USB adaptor into the USB socket

Sketch Map of the Recharging in Vehicle Battery

B. Battery charging

- Insert the USB charging into the socket. Insert the battery plug into the plug of the USB cable. (Pay attention not to confuse the positive and negative polarity.)
- A full charge takes about 240 minutes. When charging the LED indicator turns into red, when charging is complete, the LED indicator stays off.
- Regularly inspect the toy, battery charger, charging cable, connectors and other components for signs of damage. In the event of any damage, discontinue use and send the parts for repair.
- In case of abnormal responses such as suspicious peculiar smell, noise or smog in the charger, please remove the power supply at once.
- Please recharge with the dedicated USB delivered by the original factory. Never use broken USB or USB of other brands.
- Please do not recharge the swelling, leaking or broken battery.
- Please do not overcharge the battery. When the battery is fully recharged, please pull out the charger.
- Please do not recharge on the surface of the objects near inflammable things (carpet, wood floor, solid wood furniture, etc.) or of conductive things. While recharging, please keep the battery within the range of visibility.

Battery safety information

1. The batteries must only be charged under adult supervision.
2. Before charging the batteries, remove the battery compartment from the vehicle chassis.
3. Remove empty batteries from the vehicle and remote control.
4. Ensure that the vehicle is switched off before inserting the batteries.
5. Install the battery according to the instruction inside the battery box. Make sure not to confuse the positive and negative polarity of the battery.
6. Do not attempt to charge non-rechargeable batteries.
7. Do not short circuit the battery terminals.
8. If you do not plan to use the vehicle for an extended period, remove the batteries from the vehicle and remote control to prevent leakage.
9. Do not throw batteries into open flames, as this may cause them to explode or leak.

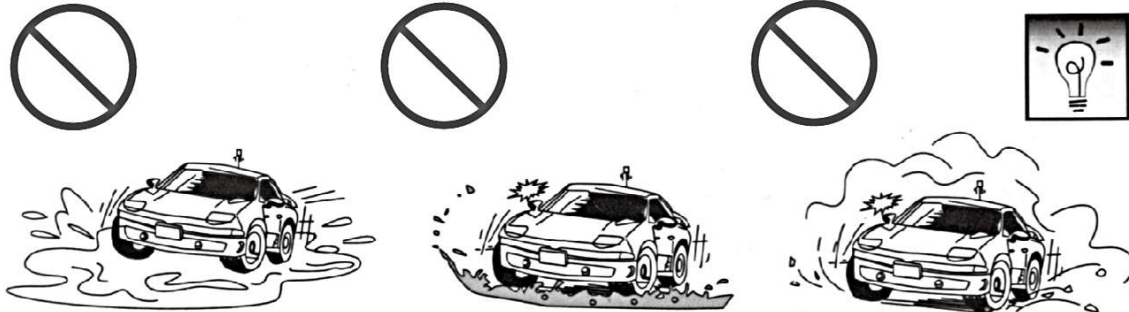
10. Do not mix old and new batteries or batteries from different manufacturers.
11. Only use batteries from recommended or reputable manufacturers.
12. Regularly inspect the batteries for signs of leakage.
13. It is suggested not to use more than 3 batteries for one single play.
14. If leaking occurs in the battery, please avoid touching the liquid with the skin and eyes. If it touches the skin, please clean the skin with soap and clean water at once. If it touches the eyes, please wash the eyes with a lot of cold water at once and see the doctor right away.
15. This equipment is composed of electronic components and battery. The electric appliance garbage should be given special care according to the local requirements for garbage disposal.
16. Keep this instruction manual in a safe place for future reference. It contains important information on how to use the product safely.

Care and maintenance

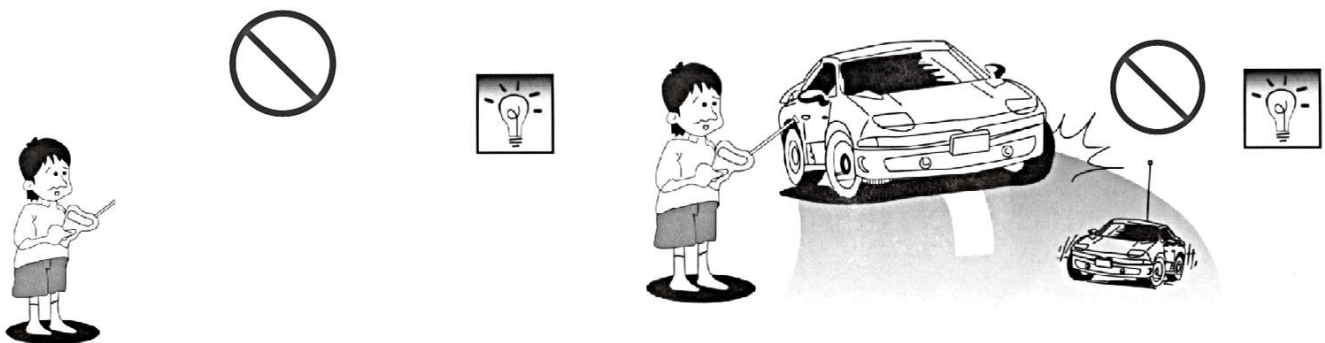
- Remove the batteries when you do not plan to use the toy for an extended period.
- Use a damp cloth to wipe the vehicle clean.
- Do not expose the toy to high temperatures, moisture or direct sunlight.
- Do not immerse the toy in water, as this may damage the electrical components.
- If the wheel is too dirty or rolls inflexibly, this may influence the operation experience. Please check it and clear up the foreign matters.

Caution

When the wheels of remote control car is rolling, Do not touch it in order to avoid injury of yourself or damage of the car.



Avoid operating the vehicle in the rain or grinding the remote control vehicle over the puddle in case of breakdown.

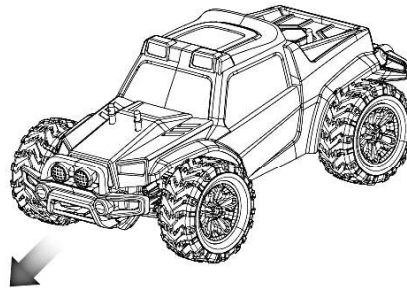
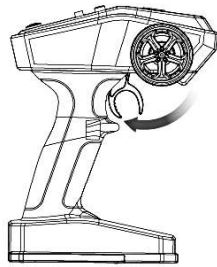


Please DO NOT play the vehicle around the telegraph pole in order to avoid accident.

Please do not play by the road or in dangerous places in case of accidents.

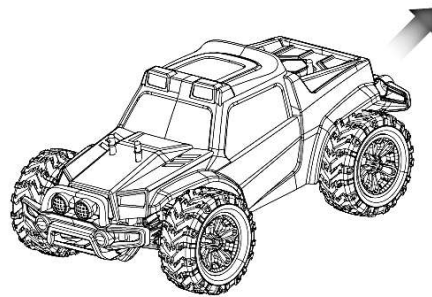
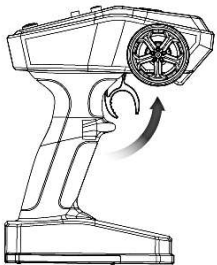
Function and operation of the product

Forward



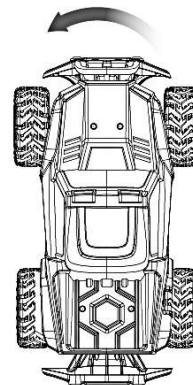
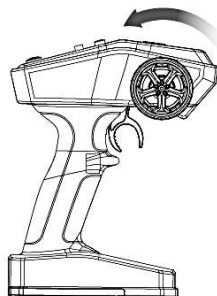
Pull the throttle downwards to make the vehicle move forwards.

Backward



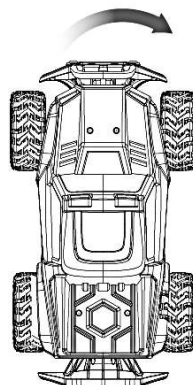
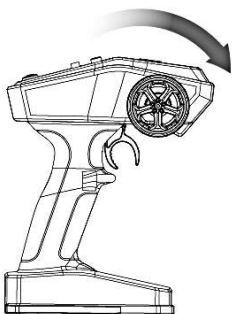
Push the throttle upwards to make the vehicle move backwards.

Turn left



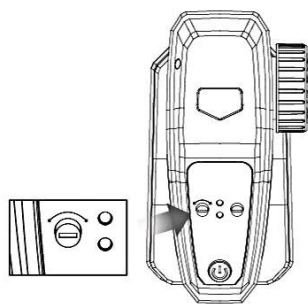
Turn the steering wheel to the left to make the vehicle turn left.

Turn right

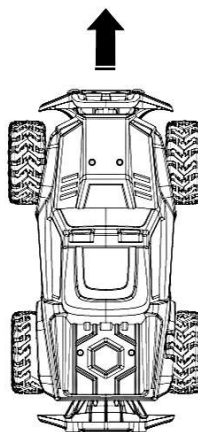


Turn the steering wheel to the right to make the vehicle turn right.

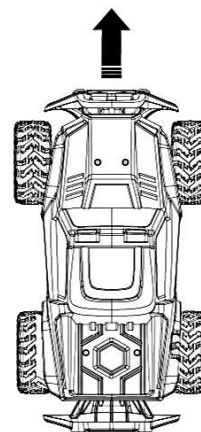
Speed shift



Turn the speed shift from left to right to speed up the vehicle, turn the speed shift from right to left to slow down the vehicle.



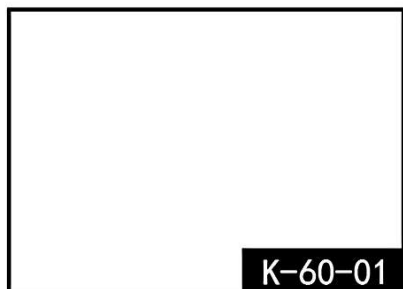
Low speed



High speed

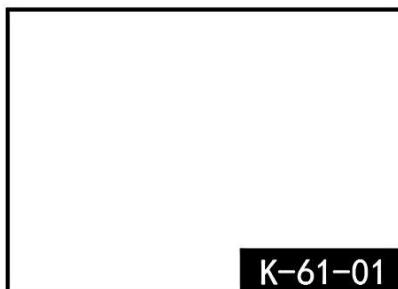
Speed Shift : The vehicle speed can be adjusted by turning speed shift.

Parts list



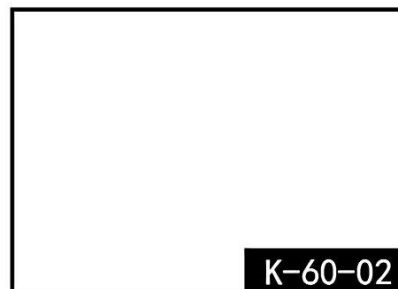
K-60-01

K-60 Shell



K-61-01

K-61 Shell



K-60-02

Controller



K-60-03

K-60 Front and rear bumper



K-61-02

K-61 Front and rear bumper



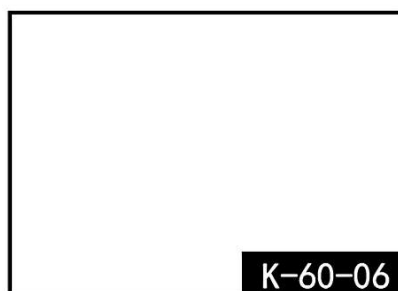
K-60-04

Wheel



K-60-05

Chassis



K-60-06

Vehicle cover



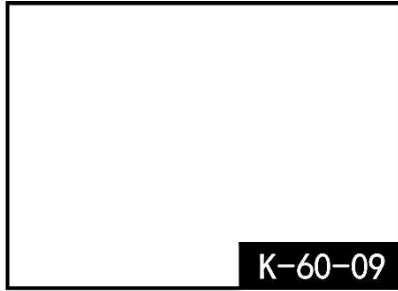
K-60-07

Drive shaft



K-60-08

Swing-arm Bar



K-60-09

Steering Bar



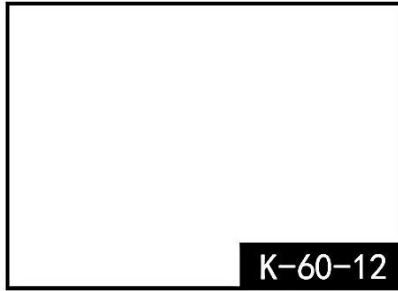
K-60-10

Assembly of Spring Shock Absorber Spring



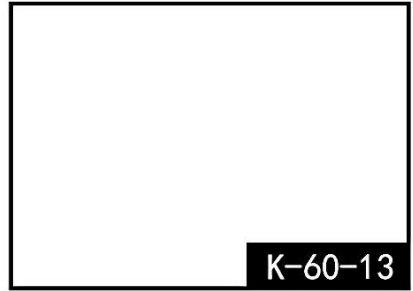
K-60-11

Driving Gear



K-60-12

Steering Gear



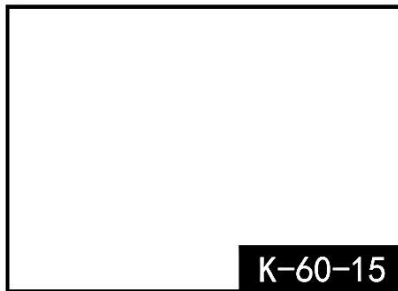
K-60-13

Rotating Shaft



K-60-14

Differential



K-60-15

7.4V Li battery



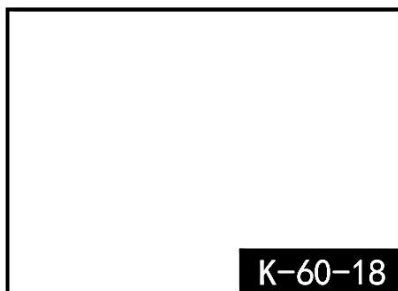
K-60-16

Main control board



K-60-17

Motor



K-60-18

USB charger



K-60-19

Steering Gear Assembly



K-60-20

Screwdriver











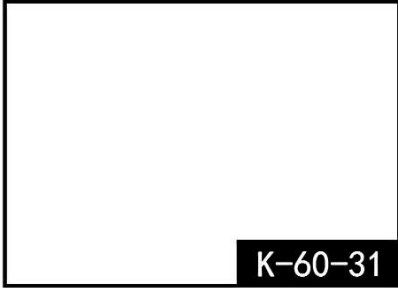
K-60-21

Latch



K-60-22

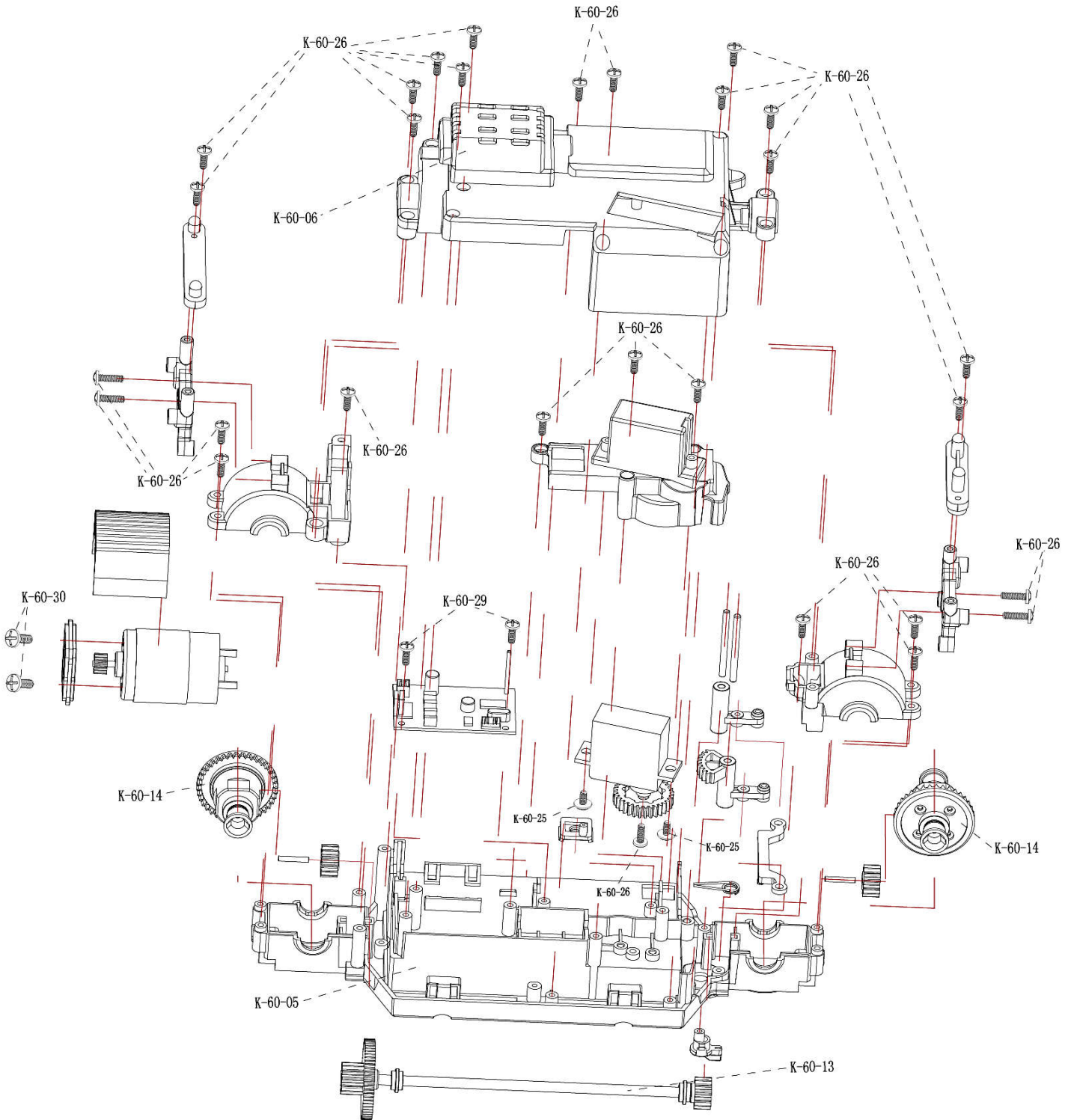
Screw
(PB 2.6*10)

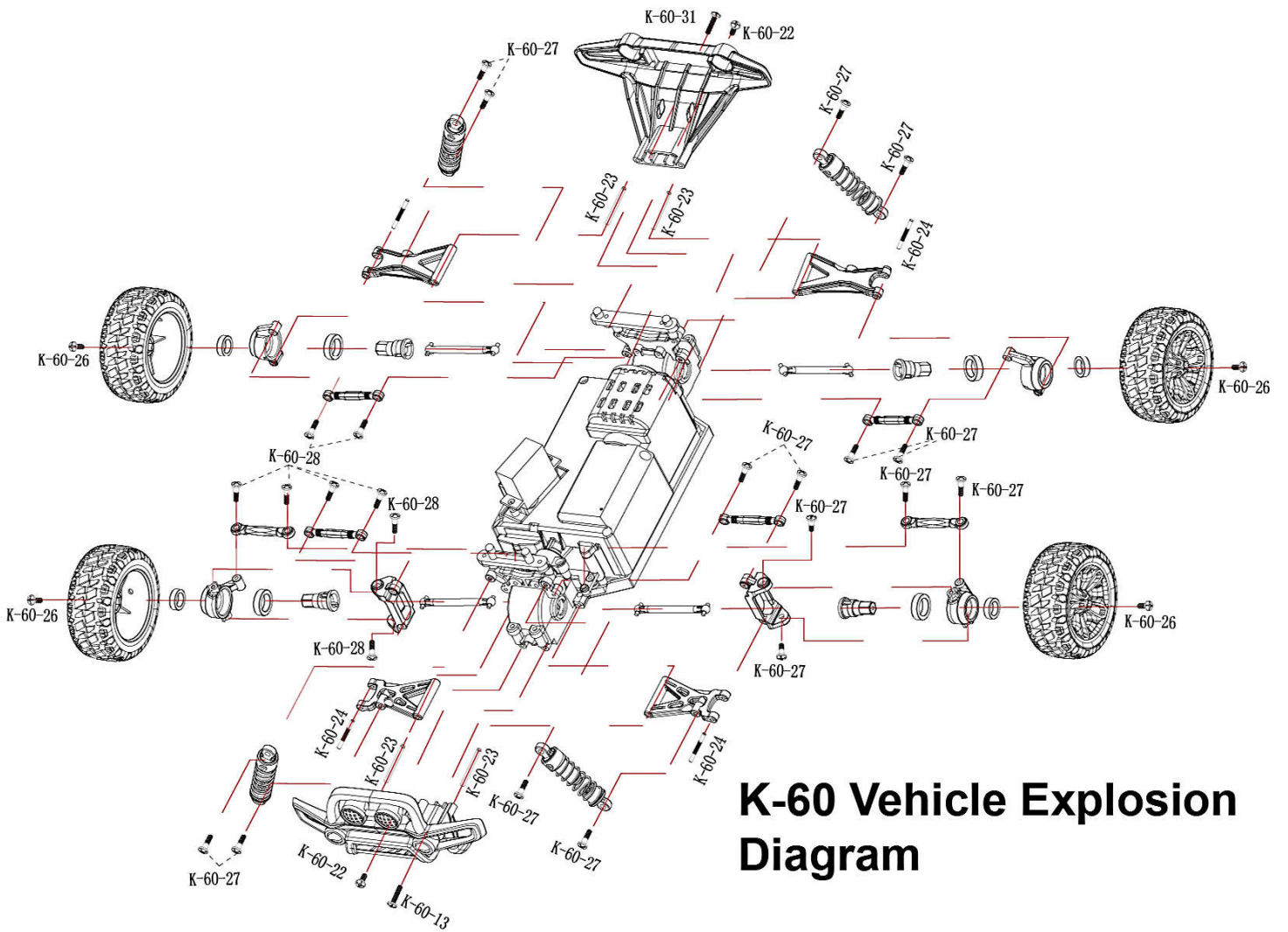
		
Iron Shaft (φ 2.5*41)	Iron Shaft (φ 2.0*20.5)	Gasket Screw (PB 2.3*8)
		
Screw (PB 2.6*8)	Step Screw (PB 2.3*10)	Step Screw (PB 2.3*8)
		
Screw (PB 2.3*6)	Machine Screw (PB 2.5*6)	Screw (PB 2.6*13)

FAQ and solution

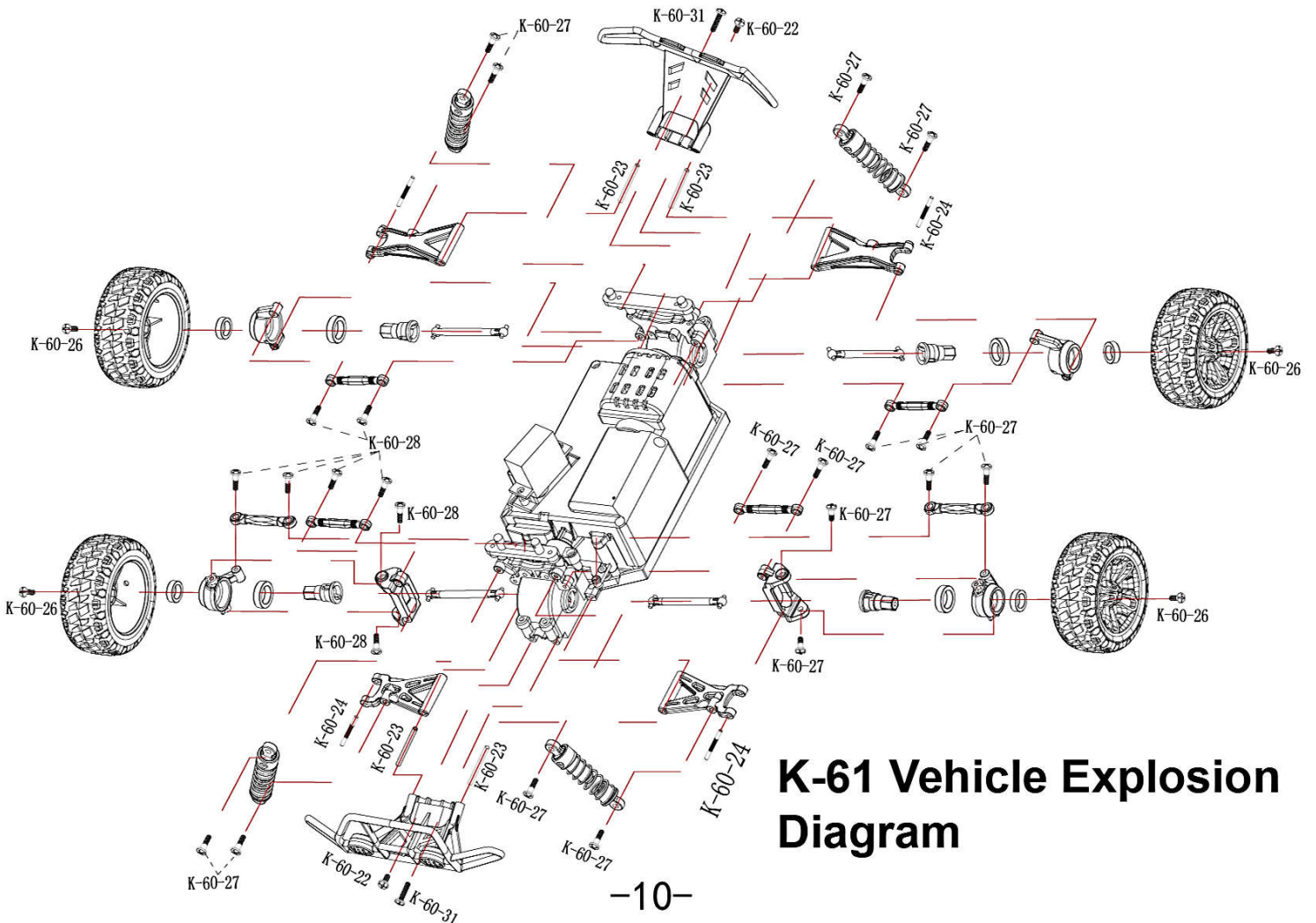
Problem	Reason	Solution
The vehicle does not move	The power of vehicle battery is low	Take out the battery and recharge it
	The power of remote control battery is low	Replace with new batteries
	The wheel or drive shaft is entangled with the foreign body	Stop playing, turn off the vehicle and remove the foreign body
Lost matching between remote control and the vehicle	Signal interference	Restart the remote control and the vehicle
	Be interfered by other signal	
The wheels swing when vehicle moving straightly	Wheel tires fall off / wheel hub offsets	Reset the tires manually
Vehicle moving deviated	The vehicle's steering clutch is out of place	Manually adjust the front wheel back to straight direction

Chassis Explosion Diagram

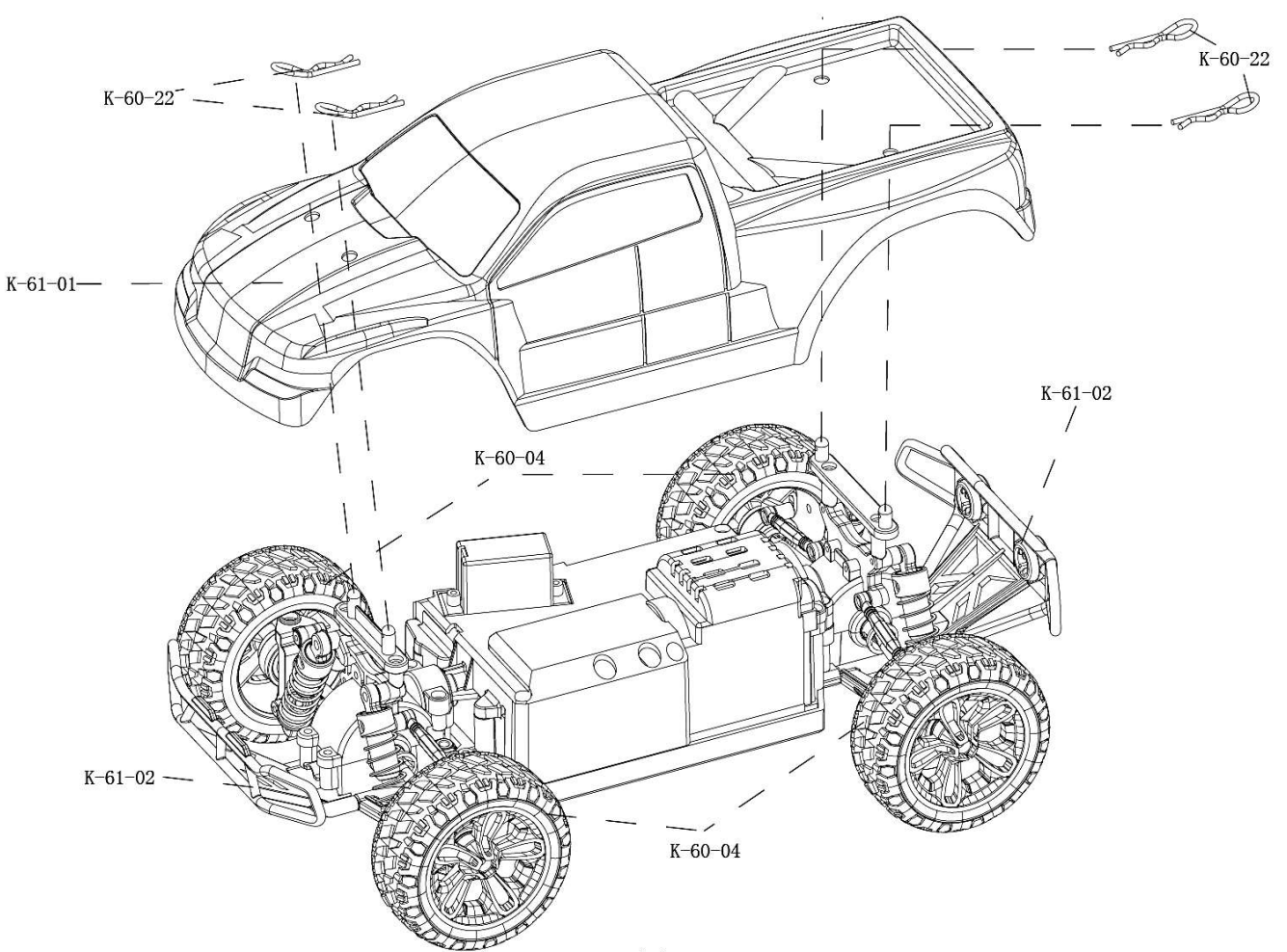
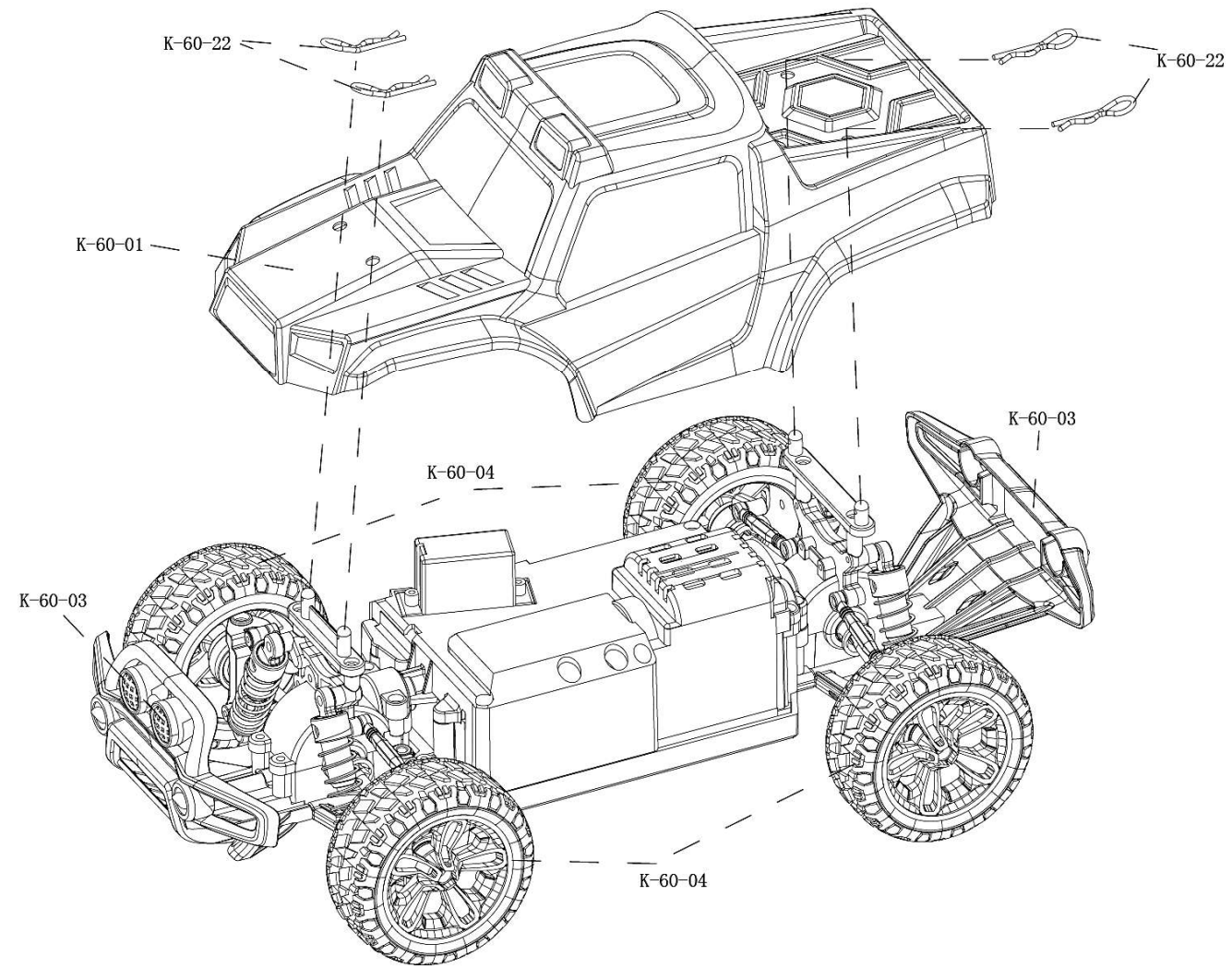




K-60 Vehicle Explosion Diagram



K-61 Vehicle Explosion Diagram



NOTE: This equipment has been tested and found to comply with the limits for a Class B digital device, pursuant to part 15 of the FCC Rules. These limits are designed to provide reasonable protection against harmful interference in a residential installation. This equipment generates uses and can radiate radio frequency energy and, if not installed and used in accordance with the instructions, may cause harmful interference to radio communications. However, there is no guarantee that interference will not occur in a particular installation. If this equipment does cause harmful interference to radio or television reception, which can be determined by turning the equipment off and on, the user is encouraged to try to correct the interference by one or more of the following measures:

- Reorient or relocate the receiving antenna.
- Increase the separation between the equipment and receiver.
- Connect the equipment into an outlet on a circuit different from that to which the receiver is connected.
- Consult the dealer or an experienced radio/TV technician for help

Changes or modifications not expressly approved by the party responsible for compliance could void the user's authority to operate the equipment.