



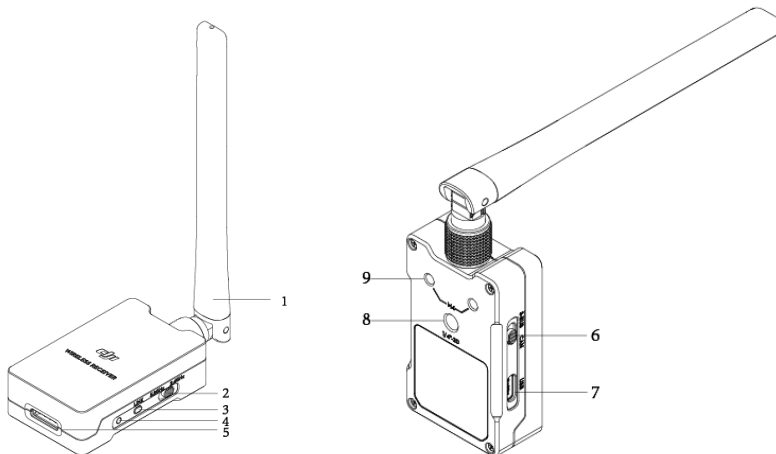
# DJI Pro Wireless Receiver User Guide

## In the Box

DJI Pro Wireless Receiver × 1	Antenna × 1
	

## Introduction

The DJI Pro Wireless Receiver is designed to be used with the DJI Force Pro, DJI Master Wheels and other controllers, providing a max operation range of 3 km. It is operating at dual-frequency 2.4 GHz and 5.8 GHz and compatible with the Ronin 2, Ronin-S and a third-party gimbal through an S-Bus connection.



1. Antenna  
Relays control signals. Do not obstruct the antenna.
2. Operating Frequency Switch  
The operating frequency can be switch from 2.4GHz and 5.8GHz. Please note that some

regions are not supported 5.8GHz, make sure the switch is toggled to the 2.4GHz.

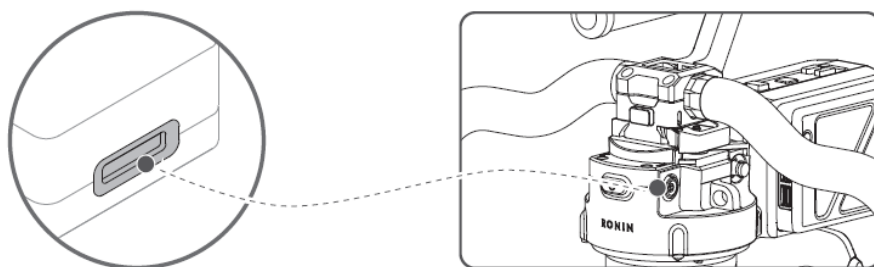
3. Link Button  
Press and hold this button for two seconds to start linking to the controller.
4. Status LED  
Indicates the status of system.
5. Power and Communication Port  
Connect this port to gimbal using the CAN Bus cable, D-Bus and S-Bus cable.
6. S-Bus/CAN Switch  
Toggle the switch to CAN position when using with Ronin 2 and Ronin-S, toggle the switch to S-Bus position when using with an S-Bus gimbal.
7. USB-C Port  
For activation and firmware updating.
8. 1/4"-20 Mounting Hole  
For fixing the receiver in place.
9. M4 Mounting Hole  
For fixing the receiver in place.

## Installation

It is recommended to fix the wireless receiver at a place that without signal interference through the mounting hole on the receiver or using other tools.

### Cable Connections

1. Connect to Ronin 2: connect the Power and Communication Port to the Ronin 2 accessory power ports above the pan motor using the CAN Bus cable.



2. Connect to Ronin-S: connect the Power and Communication Port to the Ronin-S' CAN port using a CAN cable (sold separately)
3. Connect to an S-Bus supported gimbal connect the Power and Communication Port to the gimbal's S-Bus port.

Keep the Antennas vertical during using, and make sure there is no obstructions and interference between the devices.

# Activation and Linking

Activation is required when use the Wireless Receiver for the first time. To activate, connect the USB port to the DJI Pro Assistant for Ronin.

Press and hold on the link button for two seconds to link to a controller.

The Status LED indicates the status of system, refer to the table below for details.

## Status LED Descriptions

Patterns	Descriptions
Blinks red quickly	The device is not activated.
Solid red	The device is activated and not linked to a controller.
Blinks red slowly	The device is linking.
Solid green	Operating at 2.4 GHz
Blinks green slowly	Operating at 5.8 GHz

# Specifications

Dimensions	63×38×19 mm
Operating Environment Temperature	-20°C to 50°C
Operating Frequency	2.4 GHz, 5.8 GHz
Input Voltage	5 V-15 V

# Compliance Information

## FCC Compliance Notice

This device complies with Part 15 of the FCC Rules. Operation is subject to the following two conditions: (1) This device may not cause harmful interference, and (2) This device must accept any interference received, including interference that may cause undesired operation.

Any changes or modifications not expressly approved by the party responsible for compliance could void the user's authority to operate the equipment.

This equipment has been tested and found to comply with the limits for a Class B digital device, pursuant to part 15 of the FCC Rules. These limits are designed to provide reasonable protection against harmful interference in a residential installation. This equipment generates, uses and can radiate radio frequency energy and, if not installed and used in accordance with the instructions,

may cause harmful interference to radio communications. However, there is no guarantee that interference will not occur in a particular installation. If this equipment does cause harmful interference to radio or television reception, which can be determined by turning the equipment off and on, the user is encouraged to try to correct the interference by one or more of the following measures:

- Reorient or relocate the receiving antenna.
- Increase the separation between the equipment and receiver.
- Connect the equipment into an outlet on a circuit different from that to which the receiver is connected.
- Consult the dealer or an experienced radio/TV technician for help.

### RSS Warning

This device complies with ISED licence -exempt RSS standard (s). Operation is subject to the following two conditions: (1) this device may not cause interference, and (2) this device must accept any interference, including interference that may cause undesired operation of the device. Le présent appareil est conforme aux CNR d'ISED applicables aux appareils radio exempts de licence.

L'exploitation est autorisée aux deux conditions suivantes:

- (1) l'appareil ne doit pas produire de brouillage, et
- (2) l'utilisateur de l'appareil doit accepter tout brouillage radioélectrique subi, même si le brouillage est susceptible d'en compromettre le fonctionnement.

### RF Exposure Information

This equipment complies with FCC/ISED radiation exposure limits set forth for an uncontrolled environment. In order to avoid the possibility of exceeding the FCC /ISED radio frequency exposure limits, human proximity to the antenna shall not be less than 20cm during normal operation.

Cet équipement est conforme aux limites d'exposition aux radiations FCC / ISED définies pour un environnement non contrôlé. Afin d'éviter la possibilité de dépasser les limites d'exposition aux radiofréquences FCC / ISED, la proximité humaine de l'antenne ne doit pas être inférieure à 20 cm pendant le fonctionnement normal.

### KCC Warning Message

“해당무선설비는 운용 중 전파혼신 가능성이 있으므로 인명안전과 관련된 서비스는 할 수 없습니다.”

“해당 무선설비는 운용 중 전파혼신 가능성이 있음”

### NCC Warning Message

低功率電波輻射性電機管理辦法

第十二條 經型式認證合格之低功率射頻電機，非經許可，公司、商號或使用者均不得擅自變更頻率、加大功率或變更原設計之特性及功能。

第十四條 低功率射頻電機之使用不得影響飛航安全及干擾合法通信；經發現有干擾現象時，應改善至無干擾時方得繼續使用。前項合法通信，指依電信法規定作業之無線電通信。低功率射頻電機須忍受合法通信或工業、科學及醫療用電波輻射性電機設備之干擾。

**EU Compliance Statement:** SZ DJI Osmo Technology Co., Ltd. hereby declares that this device is in compliance with the essential requirements and other relevant provisions of the Directive 2014/53/EU.

A copy of the EU Declaration of Conformity is available online at [www.dji.com/euro-compliance](http://www.dji.com/euro-compliance)

EU contact address: DJI GmbH, Industriestrasse. 12, 97618, Niederlauer, Germany

**Declaración de cumplimiento UE:** SZ DJI Osmo Technology Co., Ltd. por la presente declara que este dispositivo cumple los requisitos básicos y el resto de provisiones relevantes de la Directiva 2014/53/EU.

Hay disponible online una copia de la Declaración de conformidad UE en [www.dji.com/euro-compliance](http://www.dji.com/euro-compliance)

Dirección de contacto de la UE: DJI GmbH, Industriestrasse. 12, 97618, Niederlauer, Germany

**EU-verklaring van overeenstemming:** SZ DJI Osmo Technology Co., Ltd. verklaart hierbij dat dit apparaat voldoet aan de essentiële vereisten en andere relevante bepalingen van Richtlijn 2014/53/EU.

De EU-verklaring van overeenstemming is online beschikbaar op [www.dji.com/euro-compliance](http://www.dji.com/euro-compliance)

Contactadres EU: DJI GmbH, Industriestrasse. 12, 97618, Niederlauer, Germany

**Declaração de conformidade da UE:** A SZ DJI Osmo Technology Co., Ltd. declara, através deste documento, que este dispositivo está em conformidade com os requisitos essenciais e outras disposições relevantes da Diretiva 2014/53/EU.

Existe uma cópia da Declaração de conformidade da UE disponível online em [www.dji.com/euro-compliance](http://www.dji.com/euro-compliance)

Endereço de contacto na UE: DJI GmbH, Industriestrasse. 12, 97618, Niederlauer, Germany

**Dichiarazione di conformità UE:** SZ DJI Osmo Technology Co., Ltd. dichiara che il presente dispositivo è conforme ai requisiti essenziali e alle altre disposizioni rilevanti della direttiva 2014/53/EU.

Una copia della dichiarazione di conformità UE è disponibile online all'indirizzo Web [www.dji.com/euro-compliance](http://www.dji.com/euro-compliance)

Indirizzo di contatto UE: DJI GmbH, Industriestrasse. 12, 97618, Niederlauer, Germany

**Déclaration de conformité UE :** Par la présente, SZ DJI Osmo Technology Co., Ltd. déclare que cet appareil est conforme aux principales exigences et autres clauses pertinentes de la directive européenne 2014/53/EU.

Une copie de la déclaration de conformité UE est disponible sur le site [www.dji.com/euro-compliance](http://www.dji.com/euro-compliance)

Adresse de contact pour l'UE : DJI GmbH, Industriestrasse. 12, 97618, Niederlauer, Germany

**EU-Compliance:** Hiermit erklärt SZ DJI Osmo Technology Co., Ltd., dass dieses Gerät den wesentlichen Anforderungen und anderen einschlägigen Bestimmungen der EU-Richtlinie 2014/53/EU entspricht.

Eine Kopie der EU-Konformitätserklärung finden Sie online auf [www.dji.com/euro-compliance](http://www.dji.com/euro-compliance).

Kontaktadresse innerhalb der EU: DJI GmbH, Industriestrasse. 12, 97618, Niederlauer, Germany



CAUTION: RISK OF EXPLOSION IF BATTERY IS REPLACED BY AN INCORRECT TYPE. DISPOSE OF USED BATTERIES ACCORDING TO THE INSTRUCTIONS

Environmentally friendly disposal



Old electrical appliances must not be disposed of together with the residual waste, but have to be disposed of separately. The disposal at the communal collecting point via private persons is for free. The owner of old appliances is responsible to bring the appliances to these collecting points or to similar collection points. With this little personal effort, you contribute to recycle valuable raw materials and the treatment of toxic substances.

#### Thailand Warning message

เครื่องโทรคมนาคมและอุปกรณ์นี้ มีความสอดคล้องตามข้อกำหนดของ กทช.

#### Mexico Warning message

“La operación de este equipo está sujeta a las siguientes dos condiciones: (1) es posible que este equipo o dispositivo no cause interferencia perjudicial y (2) este equipo o dispositivo debe aceptar cualquier interferencia, incluyendo la que pueda causar su operación no deseada.”

#### Brazil Warning message

Este equipamento opera em caráter secundário, isto é, não tem direito a proteção contra interferência prejudicial, mesmo de estações do mesmo tipo, e não pode causar interferência a sistemas operando em caráter primário

#### UAE logo requirements

The characters shall appear in black print against a white background.

No character shall be less than 2mm in height.

The letters “TRA” shall be at least 3mm in height.