

# PHANTOM 3 SE

## Quick Start Guide

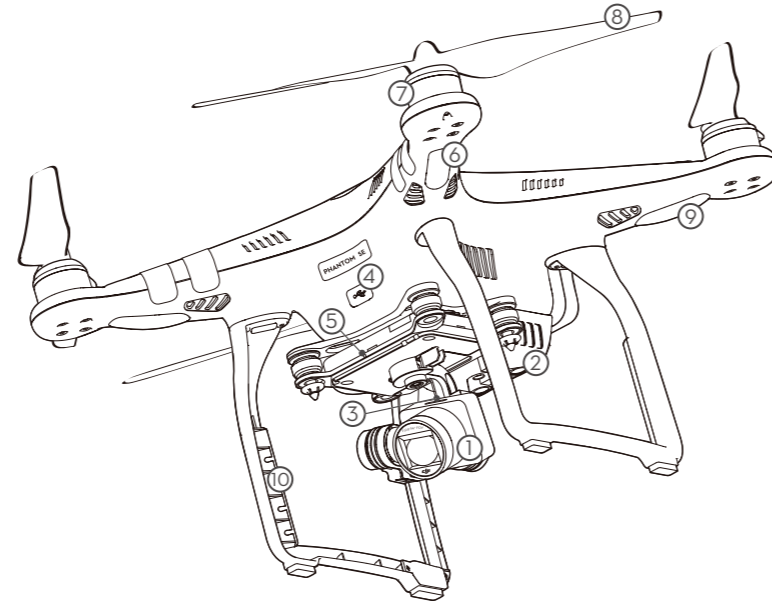
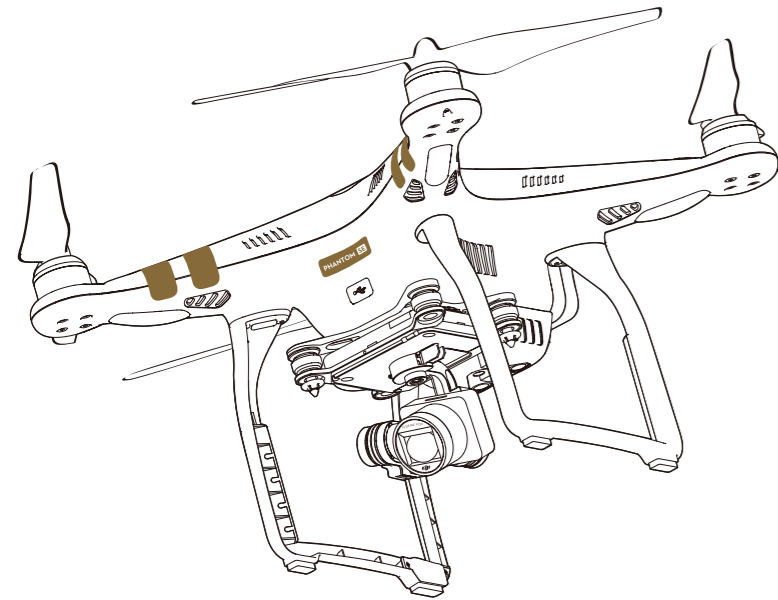
V1.0

## Phantom 3 SE W328

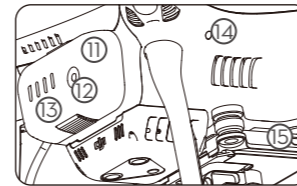
It's time to meet your PHANTOM™ 3 SE.

The Phantom 3 SE's camera records video at up to 4K and captures 12 megapixel photos.

Review the diagram below for a full list of your Phantom 3 SE's parts:



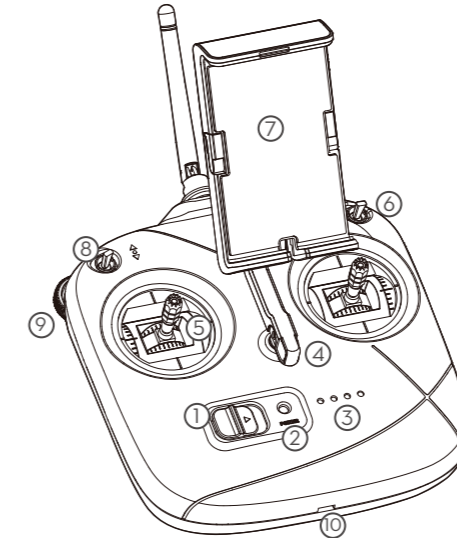
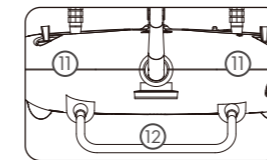
- |                              |                                |
|------------------------------|--------------------------------|
| 1. Gimbal and Camera         | 9. Aircraft Status Indicators  |
| 2. Vision Positioning System | 10. Antennas                   |
| 3. Camera Micro SD Card Slot | 11. Intelligent Flight Battery |
| 4. Aircraft Micro USB Port   | 12. Power Button               |
| 5. Camera Status Indicator   | 13. Battery Level Indicators   |
| 6. Front LEDs                | 14. Link Button                |
| 7. Motors                    | 15. Camera Micro USB Port      |
| 8. Propellers                |                                |



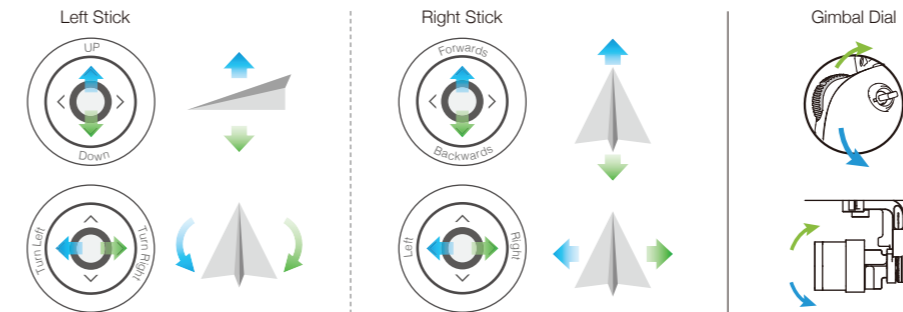
## Remote Controller GL358wD

This powerful Remote Controller allows you to pilot and maneuver your Phantom 3 SE at distances over 13,123 feet (4 km)\* away. Built into your Remote Controller is a rechargeable LiPo battery and Wi-Fi video link, which when paired with a compatible mobile device gives you a live HD view from the Phantom's camera.

1. Power Switch
2. Status LED
3. Battery Level LEDs
4. Lanyard Loop
5. Control Sticks
6. Switch S1
7. Mobile Device Holder
8. Switch S2
9. Gimbal Dial
10. Micro USB Port
11. Built-in Antennas
12. Handle Bar



Here are the default flight controls ( Mode 2 ). The left stick controls the aircraft's altitude and heading, while the right stick controls its forward, backward, left and right movements. The gimbal dial controls the camera's tilt.



### Compliance Information

#### FCC Compliance Notice

This device complies with Part 15 of the FCC Rules. Operation is subject to the following two conditions: (1) This device may not cause harmful interference, and (2) This device must accept any interference received, including interference that may cause undesired operation.

Any changes or modifications not expressly approved by the party responsible for compliance could void the user's authority to operate the equipment.

This equipment has been tested and found to comply with the limits for a Class B digital device, pursuant to part 15 of the FCC Rules. These limits are designed to provide reasonable protection against harmful interference in a residential installation. This equipment generates, uses and can radiate radio frequency energy and, if not installed and used in accordance with the instructions, may cause harmful interference to radio communications. However, there is no guarantee that interference will not occur in a particular installation. If this equipment does cause harmful interference to radio or television reception, which can be determined by turning the equipment off and on, the user is encouraged to try to correct the interference by one or more of the following measures:

- Reorient or relocate the receiving antenna.
- Increase the separation between the equipment and receiver.
- Connect the equipment into an outlet on a circuit different from that to which the receiver is connected.
- Consult the dealer or an experienced radio/TV technician for help.

#### RF Exposure Information (W328)

This equipment complies with FCC radiation exposure limits set forth for an uncontrolled environment. In order to avoid the possibility of exceeding the FCC radio frequency exposure limits, human proximity to the antenna shall not be less than 20cm during normal operation.

#### IC RSS Warning

This device complies with Industry Canada licence-exempt RSS standard (s). Operation is subject to the following two conditions: (1) this device may not cause interference, and (2) this device must accept any interference, including interference that may cause undesired operation of the device.

Le présent appareil est conforme aux CNR d'Industrie Canada applicables aux appareils radio exempts de licence.

L'exploitation est autorisée aux deux conditions suivantes:

- (1) l'appareil ne doit pas produire de brouillage, et
- (2) l'utilisateur de l'appareil doit accepter tout brouillage radioélectrique subi, même si le brouillage est susceptible d'en compromettre le fonctionnement.

#### IC Radiation Exposure Statement:

This equipment complies with IC RF radiation exposure limits set forth for an uncontrolled environment. This transmitter must not be co-located or operating in conjunction with any other antenna or transmitter. This equipment should be installed and operated with minimum distance 20cm between the radiator& your body.

ce matériel est conforme aux limites de dose d'exposition aux rayonnements, ic rss-102 énoncée dans un autre environnement.cette équipement devrait être installé et exploité avec distance minimale de 20 entre le radiateur et votre corps.

Any Changes or modifications not expressly approved by the party responsible for compliance could void the user's authority to operate the equipment.

FCC SAR statement(for G358wD): This equipment complies with FCC radiation exposure limits set forth for an uncontrolled environment. End user must follow the specific operating instructions for satisfying RF exposure compliance. This transmitter must not be co-located or operating in conjunction with any other antenna or transmitter. The portable device is designed to meet the requirements for exposure to radio waves established by the Federal Communications Commission (USA). These requirements set a SAR limit of 4.0W/kg averaged over one gram of tissue. The highest SAR value reported under this standard during product certification for use when properly operated as intended use.

Declaración de cumplimiento UE: SZ DJI TECHNOLOGY CO., LTD. por la presente declara que este dispositivo cumple los requisitos básicos y el resto de provisiones relevantes de la Directiva 2014/53/EU.

Hay disponible online una copia de la Declaración de conformidad UE en [www.dji.com/euro-compliance](http://www.dji.com/euro-compliance)

Dirección de contacto de la UE: DJI GmbH, Industriestrasse, 12, 97618, Niederlauer, Germany  
EU-verklaring van overeenstemming: SZ DJI TECHNOLOGY CO., LTD. verklaart hierbij dat dit apparaat voldoet aan de essentiële vereisten en andere relevante bepalingen van Richtlijn 2014/53/EU.

De EU-verklaring van overeenstemming is online beschikbaar op [www.dji.com/euro-compliance](http://www.dji.com/euro-compliance)  
Contactadres EU: DJI GmbH, Industriestrasse, 12, 97618, Niederlauer, Germany

Declaração de conformidade da UE: A SZ DJI TECHNOLOGY CO., LTD. declara, através deste documento, que este dispositivo está em conformidade com os requisitos essenciais e outras disposições relevantes da Diretiva 2014/53/EU.

Existe uma cópia da Declaração de conformidade da UE disponível online em [www.dji.com/euro-compliance](http://www.dji.com/euro-compliance)

Endereço de contacto na UE: DJI GmbH, Industriestrasse, 12, 97618, Niederlauer, Germany  
Dichiarazione di conformità UE: SZ DJI TECHNOLOGY CO., LTD. dichiara che il presente dispositivo è conforme ai requisiti essenziali e alle altre disposizioni rilevanti della direttiva 2014/53/EU.

Una copia della dichiarazione di conformità UE è disponibile online all'indirizzo Web [www.dji.com/euro-compliance](http://www.dji.com/euro-compliance)

Indirizzo di contatto UE: DJI GmbH, Industriestrasse, 12, 97618, Niederlauer, Germany  
Déclaration de conformité UE : Par la présente, SZ DJI TECHNOLOGY CO., LTD déclare que cet appareil est conforme aux principales exigences et autres clauses pertinentes de la directive européenne 2014/53/EU.

Une copie de la déclaration de conformité UE est disponible sur le site [www.dji.com/euro-compliance](http://www.dji.com/euro-compliance)

Adresse de contact pour l'UE : DJI GmbH, Industriestrasse, 12, 97618, Niederlauer, Germany  
EU-Compliance: Hiermit erklärt SZ DJI TECHNOLOGY CO., LTD., dass dieses Gerät den wesentlichen Anforderungen und anderen einschlägigen Bestimmungen der EU-Richtlinie 2014/53/EU entspricht.

Eine Kopie der EU-Konformitätserklärung finden Sie online auf [www.dji.com/euro-compliance](http://www.dji.com/euro-compliance).  
Kontaktadresse innerhalb der EU: DJI GmbH, Industriestrasse, 12, 97618, Niederlauer, Germany



CAUTION: RISK OF EXPLOSION IF BATTERY IS REPLACED BY AN INCORRECT TYPE. DISPOSE OF USED BATTERIES ACCORDING TO THE INSTRUCTIONS  
Environmentally friendly disposal



IC SAR Statement(for G358wD): This equipment complies with ISED radiation exposure limits set forth for an uncontrolled environment. End user must follow the specific operating instructions for satisfying RF exposure compliance. This transmitter must not be co-located or operating in conjunction with any other antenna or transmitter.

The portable device is designed to meet the requirements for exposure to radio waves established by the ISED. These requirements set a SAR limit of 4.0W/kg averaged over one gram of tissue. The highest SAR value reported under this standard during product certification for use when properly worn on the body.

Cet équipement est conforme aux limites d'exposition aux rayonnements ISED établies pour un environnement non contrôlé. L'utilisateur final doit suivre les instructions spécifiques pour satisfaire les normes. Cet émetteur ne doit pas être co-implanté ou fonctionner en conjonction avec toute autre antenne ou transmetteur. Le dispositif portatif est conçu pour répondre aux exigences d'exposition aux ondes radio établie par le développement énergétique DURABLE. Ces exigences un SAR limite de 4.0W/kg en moyenne pour un gramme de tissu. La valeur SAR la plus élevée signalée en vertu de cette norme lors de la certification de produit à utiliser lorsqu'il est correctement porté sur le corps.



\* In a wide open area with minimal magnetic interference, and at an altitude of about 400 feet (120 meters), the remote controller is able to reach its maximum transmission distance – FCC compliant mode at 13,123 feet (4 km).

## 1. Download the DJI GO App

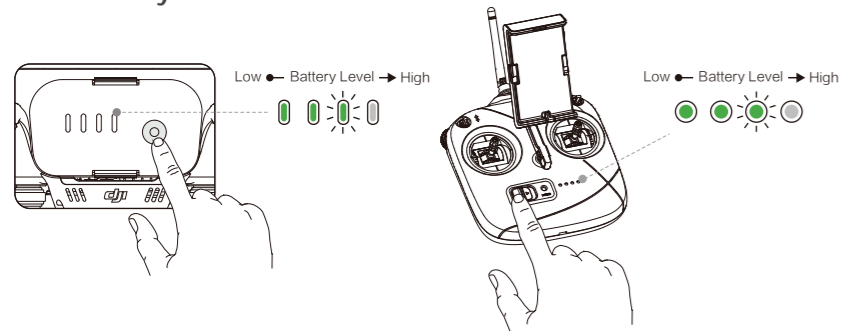
Search 'DJI GO' on the App Store or Google Play and download the app to your mobile device.



DJI GO App

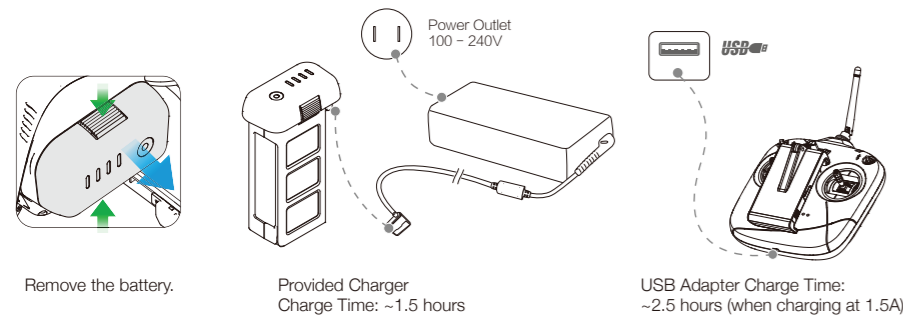
The DJI GO app supports iOS 8.0 and Android 4.1.2, or later versions.

## 2. Check Battery Levels



Press once to check the battery level. Press twice and hold to turn on/off.

## 3. Charging the Batteries



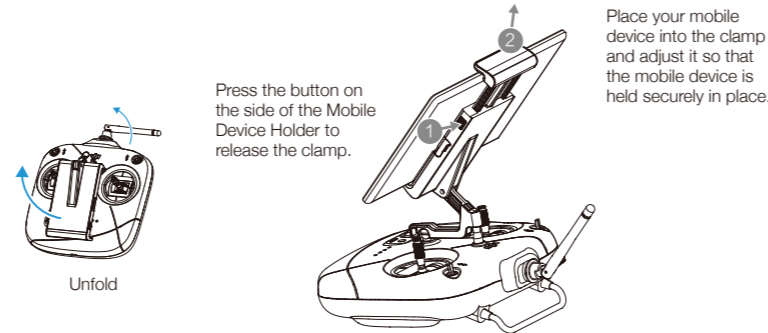
Remove the battery.

Provided Charger  
Charge Time: ~1.5 hours

USB Adapter Charge Time:  
~2.5 hours (when charging at 1.5A)

When charging is complete, the battery will automatically power off and the Status LED will change from red to green.

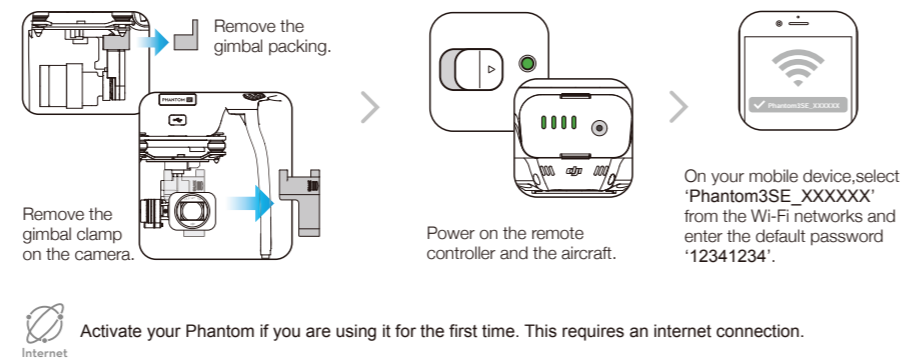
## 4. Preparing the Remote Controller



Press the button on the side of the Mobile Device Holder to release the clamp.

Place your mobile device into the clamp and adjust it so that the mobile device is held securely in place.

## 5. Prepare for Takeoff



On your mobile device, select 'Phantom3SE\_XXXXXX' from the Wi-Fi networks and enter the default password '12341234'.

Activate your Phantom if you are using it for the first time. This requires an internet connection.

Tighten the propellers with both hands before each flight.

## 6. Flight

### Ready to Go (GPS)

Before taking off, ensure the Aircraft Status Bar in the DJI GO app indicates 'Ready to Go (GPS)'.

In the DJI GO App:



**Auto Takeoff**

The aircraft will take off and hover at an altitude of 4 feet (1.2 meters).



**Auto Landing**

The aircraft will land vertically and stop its motors.



**Return-To-Home**

Brings the aircraft back to the Home Point. Tap again to stop the procedure.

The aircraft will not avoid obstacles while it is returning to the Home Point, and an appropriate RTH altitude MUST be set before flight. You should also use the control sticks to guide the aircraft. Refer to the Safety Guidelines and Disclaimer for more details.

### Manual Takeoff



Combination Stick Command to start/stop the motors

Left stick up (slowly) to take off

### Manual Landing

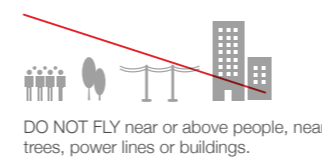


Left stick down (slowly) until you touch the ground  
Hold a few seconds to stop the motors

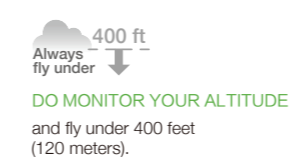
Never stop the motors mid-flight, otherwise the aircraft will crash. Only stop the motors when the aircraft is on the ground or as required in emergency situations to reduce the risk of damage or injury.

## 7. Fly Safe

DJI encourages you to enjoy flying in a safe, responsible and smart way.



**DO NOT FLY** near or above people, near trees, power lines or buildings.



**DO MONITOR YOUR ALTITUDE** and fly under 400 feet (120 meters).



It is important to understand basic flight guidelines, for the safety of both you and those around you. Refer to the Safety Guidelines and Disclaimer for more information.



**DO NOT FLY** in rain, snow, fog, and wind speeds exceeding 22 mph or 10 m/s.



**DO MAINTAIN LINE OF SIGHT** and avoid flying behind buildings or obstacles that block your view.

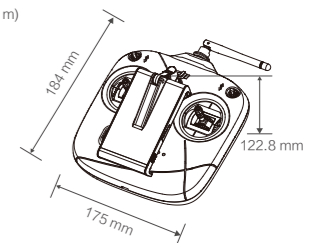
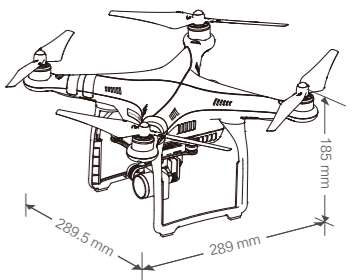


**No Fly Zones**

More information at: <http://flysafe.dji.com/no-fly>

## Specifications

<b>Aircraft</b>	
Weight (Including Battery)	2.72 lbs. (1236 g)
Max Ascent Speed	5 m/s
Max Descent Speed	3 m/s
Max Speed	16 m/s (Atti mode, no wind)
Max Service Ceiling Above Sea Level	19685 feet (6000 m) (Software altitude limit: 400 feet above takeoff point)
Max Flight Time	Approximately 25 minutes
Operating Temperature Range	32° to 104° F (0° to 40° C)
GNSS	GPS+GLONASS
<b>Gimbal</b>	
Controllable Range	Pitch: -90° to +30°
<b>Vision Positioning</b>	
Velocity Range	<8 m/s (Altitude 2 m)
Altitude Range	30 cm to 300 cm
Operating Range	50 cm to 300 cm
Operating Environment	Surface with clear pattern and adequate lighting (Lux > 15)
<b>Camera</b>	
Sensor	1/2.3" CMOS Effective pixels: 12 M
Lens	FOV (Field Of View) 94° 20 mm (35 mm format equivalent) f/2.8 Focus at -∞
ISO Range	100-3200 (video) 100-1600 (photo)
Electronic Shutter Speed	8 to 1/8000 s
Image Max Size	4000x3000
Still Photography Modes	Single shot Burst shooting: 3/5/7 frames Auto Exposure Bracketing (AEB): 3/5 bracketed frames at 0.7EV Bias Interval shot
Video Recording Modes	C4K: 4096x2160 24/25p 4K: 3840x2160 24/25/30p 2.7K: 2704x1520 24/25/30p FHD: 1920x1080 24/25/30/48/50/60p HD: 1280x720 24/25/30/48/50/60p
Max Bitrate of Video Storage	60 Mbps
Supported File Systems	FAT32 (≤ 32 GB); exFAT (> 32 GB)
Photo Formats	JPEG, DNG
Video Formats	MP4/MOV (MPEG-4 AVC/H.264)
Supported SD Card Types	Micro SD, Max capacity: 64GB. Class 10 or UHS-1 rating required
Operating Temperature Range	32° to 104° F (0° to 40° C)
<b>Remote Controller</b>	
Operating Frequency	2412 - 2462MHz; 5745 - 5825MHz
Max Transmission Distance	FCC: 13,123 feet (4000 m); SRRC: 9843 feet (3000 m)
Operating Temperature Range	32° to 104° F (0° to 40° C)
Battery	2,600 mAh LiPo 18650
Mobile Device Holder	Tablets and smartphones
<b>Charger</b>	
Voltage	17.4 V
Rated Power	57 W
<b>Intelligent Flight Battery ( PH3-4480 mAh-15.2 V )</b>	
Capacity	4480 mAh
Voltage	15.2 V
Battery Type	LiPo 4S
Energy	68 Wh
Net Weight	365 g
Charging Temperature Range	41° to 104° F (5° to 40° C)
Max Charging Power	100 W



Download the user manual in the DJI GO app for more information.  
\* This content is subject to change without prior notice.