

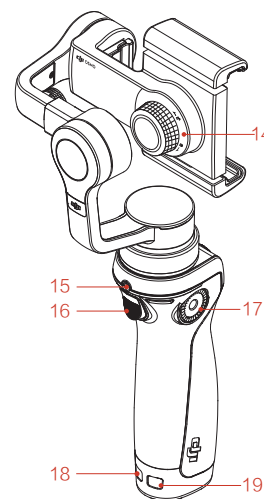
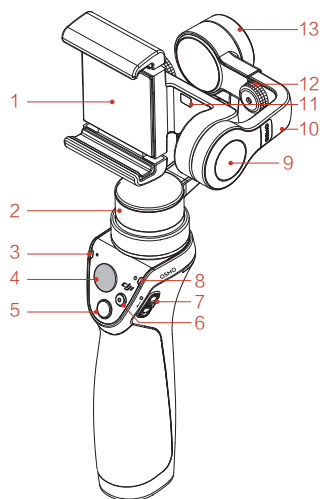
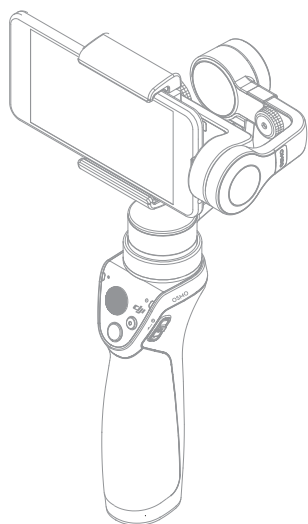
OSMO Mobile

Quick Start Guide

V1.0

Osmo Mobile

The OSMOTM Mobile is a professional mobile phone gimbal that stabilize your phone while in motion. Powerful features such as ActiveTrack and Motion Timelapse are available through the DJI GO app.



- | | |
|-----------------------|-------------------------------|
| 1 Mobile Phone Holder | 9 Tilt Motor |
| 2 Pan Motor | 10 Adjustable Arm |
| 3 Camera Status LED | 11 Mobile Phone Detect Sensor |
| 4 Joystick | 12 Adjustable Arm Lock Knob |
| 5 Shutter Button | 13 Roll Motor |
| 6 Record Button | |
| 7 Power Switch | |
| 8 System Status LED | |

- | |
|--------------------------|
| 14 Holder Lock Knob |
| 15 Charging/Upgrade Port |
| 16 Trigger |
| 17 DJI Rosette Mount |
| 18 Lanyard Hole |
| 19 Battery Cover |

OSMO Mobile

www.dji.com



1. Install the DJI GO App

Search for 'DJI GO' on the App Store or Google Play, and install the app on your mobile phone.

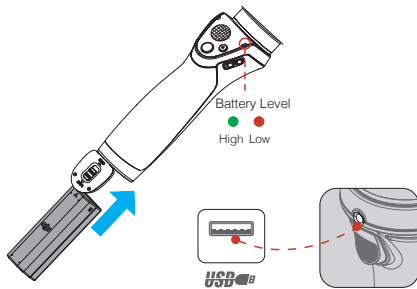


- DJI GO supports iOS 8.0 (or later) and Android 4.3 (or later).

2. Prepare the Battery

Fully charge the battery before using it for the first time to activate it.

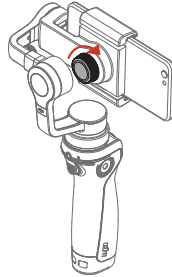
Insert the battery as shown.



To charge the Osmo Mobile, connect the USB adapter (not included) to the charging port using the provided power cable.

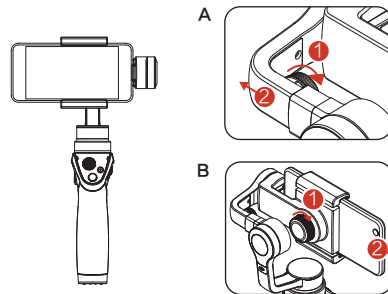
3. Mount and Balance the Mobile Phone

Loosen the Holder Lock Knob, place the mobile phone in the mobile phone holder and tighten the knob to secure its position.



To balance the system, place the Osmo Mobile and mobile phone on a level surface as shown. The system is balanced if the mobile phone remains level when released, balanced only by the gimbal.

- If the roll axis tilts to the left, loosen the Adjustable Arm Lock Knob and pull out the arm until the roll axis remains level.
- If the roll axis tilts to the right, adjust the mobile phone to the left until the roll axis levels out.



- Do not power on the Osmo Mobile without a mobile phone. The Osmo Mobile will not work if no device is detected by its sensor.
- It is important to balance the mobile phone in order to achieve optimal performance. The Osmo Mobile should only be balanced when powered off.

4. Connect to the DJI GO App



Enable Bluetooth on your mobile phone



To Power On:
Pull down on the switch
Pull down again > Sleep
Pull down and hold for 1.5 s > Power Off



Launch the DJI GO app and tap Enter Camera View. Tap and then follow the instructions to connect to the Osmo



Activate the Osmo Mobile when using it for the first time. This requires an internet connection.

5. Controls



• Use the joystick to pan or tilt the mobile phone.



• **Record Button:** Press once to start recording, and again to stop recording.
• **Shutter Button:** Press once to take a photo. Press and hold for burst capture.

• Trigger

Hold down to enable Lock Mode.
Tap twice to center the mobile phone.
Tap three times to switch between the mobile phone's front and rear cameras.



DJI GO advanced features:



ActiveTrack



Motion Timelapse

Specifications

- **Handle**
 - Dimensions 2.4 x 1.9 x 6.4 inch (61.8 x 48.2 x 161.5 mm)
 - Weight (battery included) 201 g
- **Gimbal**
 - Name Zenmuse M1
 - Dimensions 125.06 x 109.15 x 90.98 mm (Folded)
 - Weight 300 g
 - Consumption Static: 2.2 W; Dynamic: 3 W
 - Angular Vibration Range ±0.03°
 - Controllable Range Pan: ±150°
Roll: ±25°
Tilt: -125° to +35°
 - Mechanical Range Pan: ±165°
Roll: -50° to +90°
Tilt: -140° to +50°
 - Max Controllable Speed 120°/s
 - Mobile Phone Width Range 2.31-3.34 inch (58.6-84.8 mm). Minimum width approx. that of the iPhone 5S, Maximum width approx. that of the Huawei Mate 8 Max
- **Wireless Model** Bluetooth Low Energy 4.0
- **Intelligent Battery**
 - Model HB01-522365
 - Type LiPo
 - Capacity 980 mAh
 - Energy 10.8 Wh
 - Voltage 11.1 V
 - Charging Temperature 15~40°C(59°~104° F)
 - Operating Temperature 0~40°C

For more information, read the User Manual:
www.dji.com/product/osmo-mobile

※ This Quick Start Guide is subject to change without prior notice.

OSMO™ is a trademark of DJI.
Copyright © 2016 DJI All Rights Reserved.

Printed in China

FCC Compliance Notice:

This device complies with Part 15 of the FCC Rules. Operation is subject to the following two conditions: (1) This device may not cause harmful interference, and (2) This device must accept any interference received, including interference that may cause undesired operation.

changes or modifications not expressly approved by the party responsible for compliance could void the user's authority to operate the equipment.

This equipment has been tested and found to comply with the limits for a Class B digital device, pursuant to Part 15 of the FCC Rules. These limits are designed to provide reasonable protection against harmful interference in a residential installation. This equipment generates, uses and can radiate radio frequency energy and, if not installed and used in accordance with the instructions, may cause harmful interference to radio communications. However, there is no guarantee that interference will not occur in a particular installation.

If this equipment does cause harmful interference to radio or television reception, which can be determined by turning the equipment off and on, the user is encouraged to try to correct the interference by one or more of the following measures:

- Reorient or relocate the receiving antenna.
- Increase the separation between the equipment and receiver.
- Connect the equipment into an outlet on a circuit different from that to which the receiver is connected.
- Consult the dealer or an experienced radio/TV technician for help.

RF Exposure Information

This equipment complies with FCC radiation exposure limits set forth for an uncontrolled environment. This transmitter must not be co-located or operating in conjunction with any other antenna or transmitter.

IC RSS Warning

This device complies with Industry Canada license-exempt RSS standard(s). Operation is subject to the following two conditions: (1) this device may not cause interference, and (2) this device must accept any interference, including interference that may cause undesired operation of the device.

Le présent appareil est conforme aux CNR d'Industrie Canada applicables aux appareils radio exempts de licence. L'exploitation est autorisée aux deux conditions suivantes : (1) l'appareil ne doit pas produire de brouillage, et (2) l'utilisateur de l'appareil doit accepter tout brouillage radioélectrique subi, même si le brouillage est susceptible d'en compromettre le fonctionnement.

RF Exposure Information:

This equipment complies with IC radiation exposure limits set forth for an uncontrolled environment. This transmitter must not be co-located or operating in conjunction with any other antenna or transmitter.

Cet appareil est

conforme aux limites d'exposition de rayonnement RF IC établies pour un environnement non contrôlé. Cet émetteur ne doit pas être co-implanté ou fonctionner en conjonction avec toute autre antenne ou transmetteur.

CAN ICES-3 (B)/NMB-3(B)

EU Compliance Statement: SZ DJI TECHNOLOGY CO., LTD. hereby declares compliance with the essential requirements and other relevant provisions of the R&TTE Directive. A copy of the EU Declaration of Conformity is available online at www.dji.com/euro-compliance

EU contact address: DJI GmbH, Industrie Strasse, 12, 97618, Niederlauer, Germany