

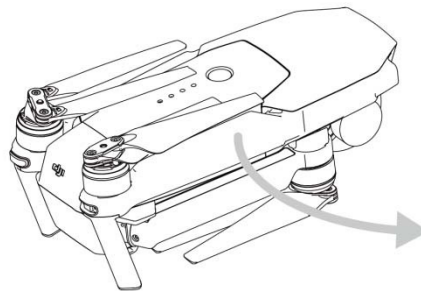
# User Manual

## Setting Up Aircraft and Batteries

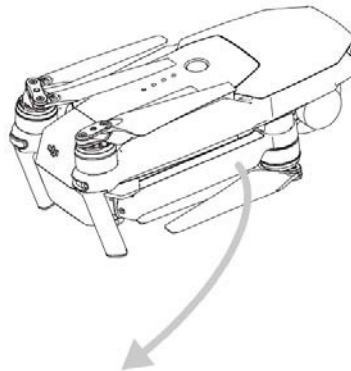
The arms of the aircraft is folded on its delivery. Follow the instructions below to unfold the arms of the aircraft.

### Setting Up Aircraft

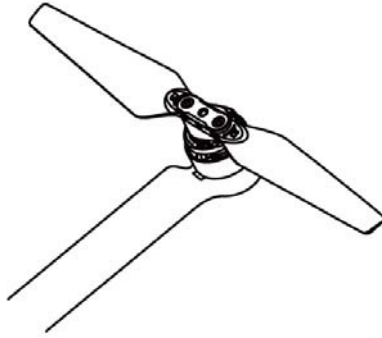
1. Rotate anti-clockwise to unfold front arms towards the nose of the aircraft.



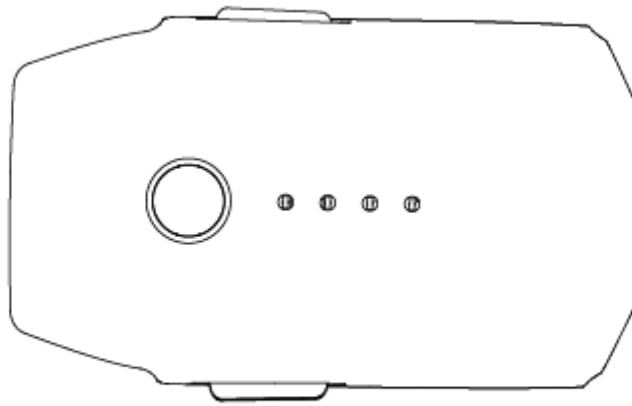
2. Rotate anti-clockwise to unfold rear arms of the aircraft.



3. Unfold all propeller blades and ensure all blades are aligned.



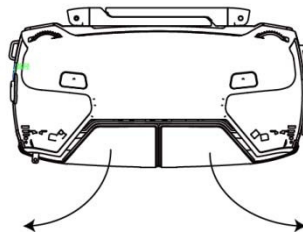
4. Ensure the Intelligent Flight Battery is securely attached to the aircraft. The Intelligent Flight Battery must be fully charged on its first use.



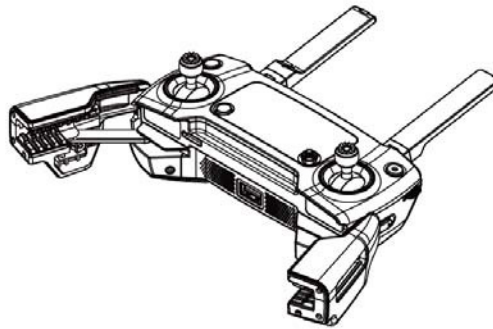
## Setting Up Remote Controller

Unfold the mobile holder clamps and adjust the position of the antennas.

1. Insert the mobile devices into the space between the two mobile holder clamps.

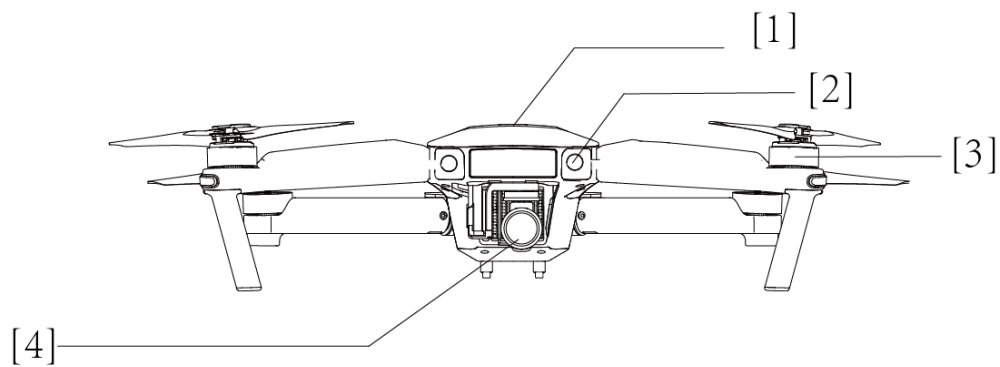


2. Push the mobile holder clamps against the mobile device to secure its position.

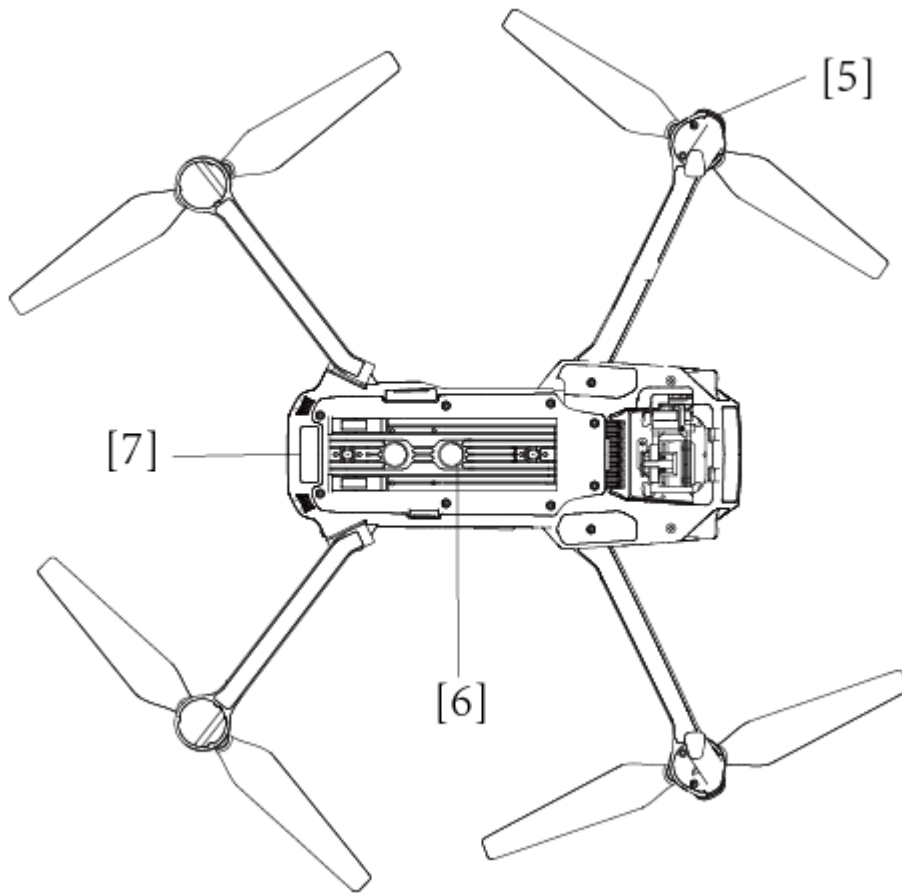


3. Connect your mobile device with the a USB cable. You may also connect the mobile device to the charging port of the remote controller with the supplied multi-purpose USB cable.

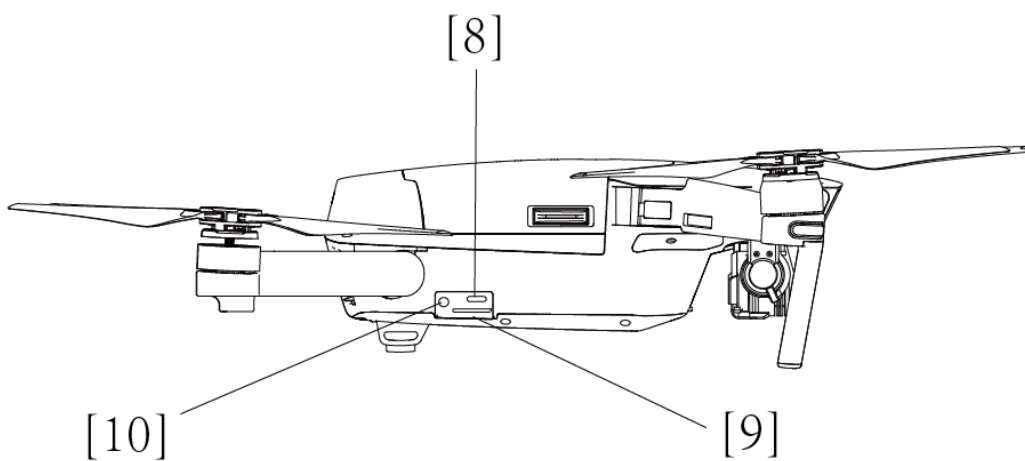
## Aircraft Diagram



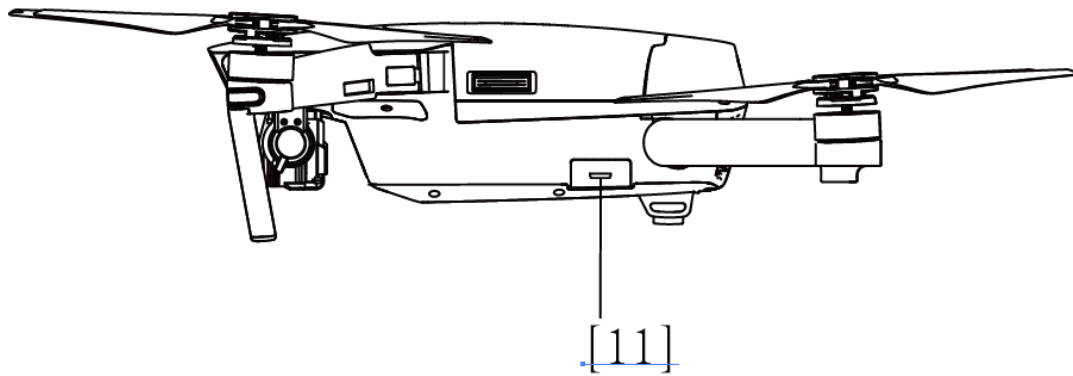
1. GPS
2. Obstacle Sensing System
3. Motor
4. Gimbal



- 5. Front LED Indicator
- 6. Vision Positioning Sensors
- 7. Aircraft Status Indicator

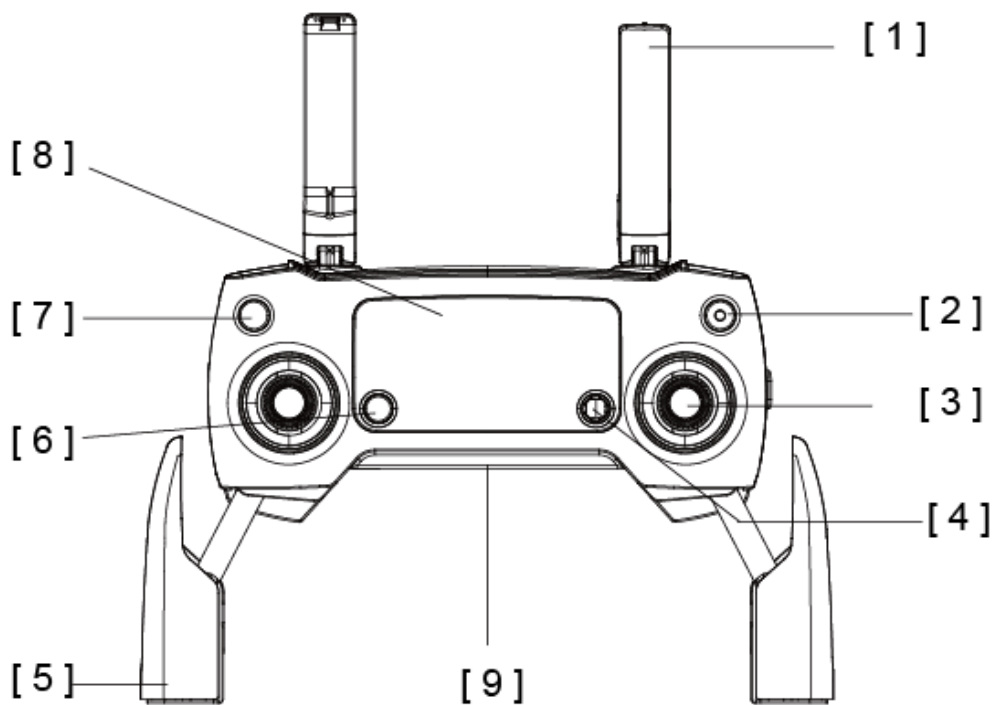


- 8. Control Mode Switch
- 9. Camera Micro SD Card Slot
- 10. Linking Button



11. Camera Micro SD Card Slot

## Remote Controller Diagram



[1] Antennas  
Relays aircraft control and video signal.

[2] Power Button  
Used to power on or off the remote controller

[3] Control Stick

Controls the orientation and movement of the aircraft.

[4] App Button

Gain quick access to the feature in the DJI GO app.

[5] Mobile Holder Clamp

Adjust its width to accommodate the mobile device.

[6] Intelligent Flight Pause Button

Press once to allow the aircraft to exit from TapFly, ActiveTrack and Advanced mode.

[7] Return Home (RTH) Button

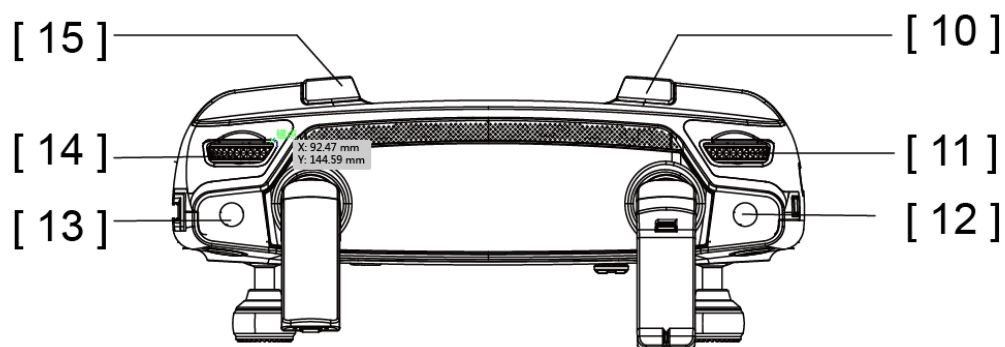
Press and hold the button to initiate Return to Home (RTH).

[8] Remote Controller Status Screen

Display system status of the remote controller.

[9] USB Port

Connect to mobile device for running the DJI GO app.



[10] C2 Button

[11] Camera Settings Dial

Turn the dial to adjust camera settings. (Only functions when the remote controller is connected to a mobile device running the DJI GO app. )

[12] Shutter Button

Press to take a photo. If burst mode is selected, the set number of photos will be taken with one press.

[13] Video Recording Button

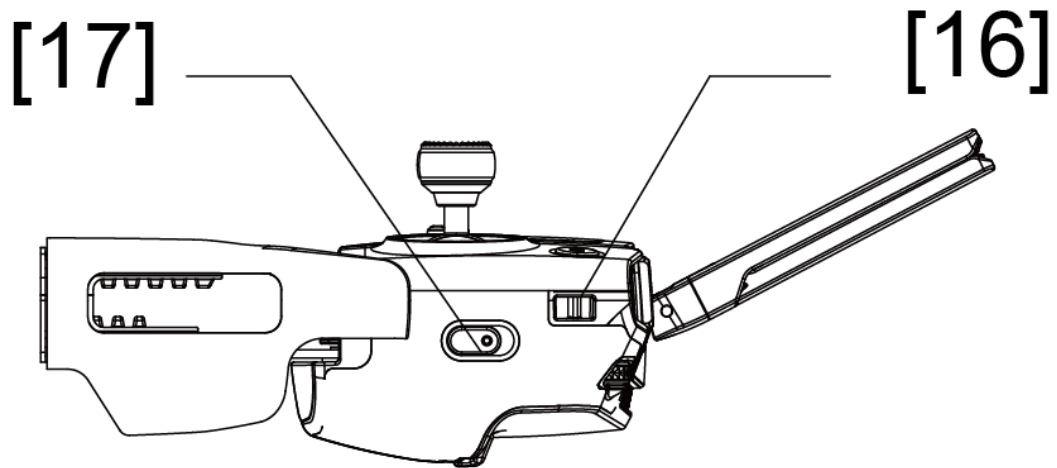
Press to start recording video. Press again to stop recording.

[14] Gimbal Dial

Use this dial to control the tilt of the gimbal.

[15] C1 Button

Press C1 button once to launch the DJI GO app from the mobile device.

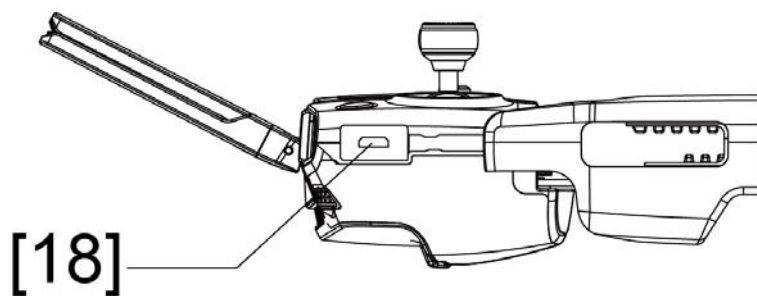


[16] Lanyard Hole

Used to secure the position of your lanyard.

[17] Flight Mode Switch

Switch between P-mode, S-mode



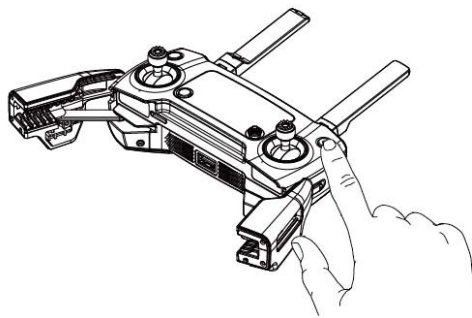
[18] Charging Port

Connect to the supplied charging cable for charging the battery. Connect to the supplied multi-purpose USB cable for accessing to mobile device.

## Using Remote Controller

Remote controller comes with a rechargeable battery. The battery level is displayed on the remote controller system status screen. Follow the steps below to power on the remote controller:

1. Press once and release to check the current battery level.
2. Press and hold the Power Button to turn on the remote controller.
3. The remote controller will beep when it is turned on, in addition, the battery level is displayed on the remote controller status screen.
4. Repeat Step 2 to turn off the remote controller.



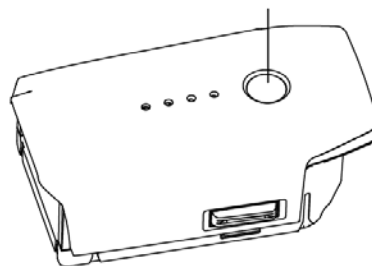
## Intelligent Flight Battery

### Power on or off the Intelligent Flight Battery

**Turning On:** Press the Power Button once, then press again and hold for 2 seconds to turn on. The Power LED will turn red and the remote controller system status screen will display the current battery level.

**Turning Off:** Press the Power Button once, then press again and hold for 2 seconds to turn off. Power level indicators turn off when it is power down.

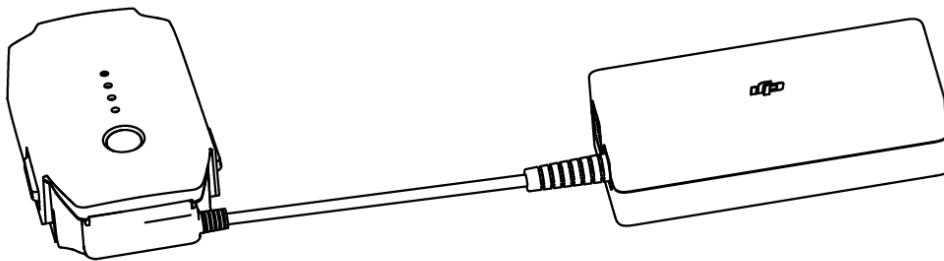
**Switch**





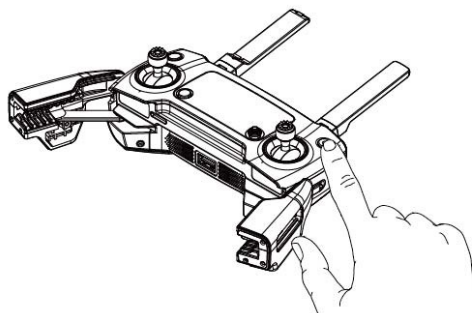
## Charging

1. Connect the Battery Charger to a power source (100-240 V 50/60 Hz).
2. Connect one end of the charger to the Intelligent Flight Battery to the Battery Charger. If the battery level is above 95%, turn on the battery before charging.
3. The Battery Level Indicator will display the current battery level as it is charging.
4. The Intelligent Flight Battery is fully charged when the Battery Level Indicators are all off. Disconnect the Intelligent Flight Battery from the Battery Charger.
5. Air-cool the Intelligent Flight Battery after each flight. Allow its temperature to drop to room temperature before storing it for an extended period.
6. The charger will stop charging the battery if the battery cell's temperature is not within the operating range (0°C ~ 40°C).



## Powering on the Aircraft and Remote Controller

1. Unfold the front and rear arms and propellers.
2. Power on the remote controller follow by the Intelligent Flight Battery.



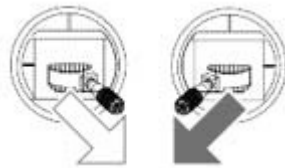


3. Launch the DJI GO app and enter the “Camera” view.

## Starting and Stopping the Motors

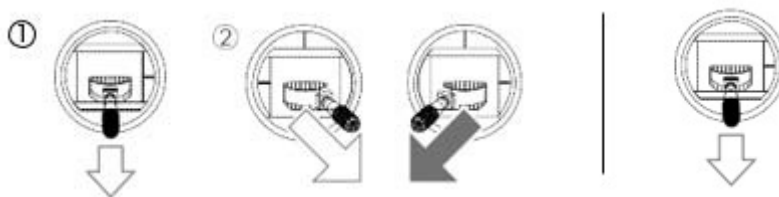
### Starting the Motors

Push both sticks to the bottom inner or outer corners to start the motors. Once the motors have started spinning, release both sticks simultaneously.



### Stopping the Motors

There are two methods to stop the motors. When the aircraft has landed, push the throttle down ①, then conduct the same CSC that was used to start the motors, as described above. Motors will stop immediately. Release both sticks once the motors stop. Method 2: When the aircraft has landed, push and hold the throttle down. The motors will stop after 3 seconds.



## Using Mobile Device for Aircraft Control

You may choose control the aircraft via the WiFi connection below the mobile device and the aircraft. Follow the steps below to learn how to use the mobile devices to control your M1P aircraft.

1. Power off the Intelligent Flight Battery then slide the Control Mode Switch to enable controlling the aircraft through mobile device.
2. Power on the remote controller then power on the Intelligent Flight Battery.
3. Enable WiFi connection on the mobile device, select "DJI Aircraft" from WiFi network list, and enter the default password "12341234".
4. Launch DJI GO app from the mobile device and select "Camera" view. Connection is established if live view from the camera is displayed on the screen.
5. Virtual control sticks are displayed on screen, use these sticks to maneuver the aircraft.

## Specifications

Aircraft		
Model	M1P	
Weight (gimbal excluded)	737 g	
Weight (gimbal included)	746 g	
Max Ascent Speed	5 m/s	
Max Descent Speed	3 m/s	
Max Speed	18 m/s	
Max Service Ceiling Above Sea Level	19685 feet ( 6000 m ) ( Software altitude limit: 400 feet above take-off point )	
Max Flight Time	Approx. 25 minutes	
Operating Temperature Range	32° to 104° F ( 0° to 40° C )	
Satellite Systems	GPS/GLONASS	
Gimbal		
Controllable Range	Pitch: - 90° to + 30°	
Obstacle Sensing System		
Obstacle Sensory Range	2 - 49 feet ( 0.7 - 15 m )	
Operating Environment	Surface with clear pattern and adequate lighting ( lux > 15 )	
Vision Positioning System		
Altitude Range	Velocity Range ≤ 10 m/s ( 2 m above ground )	

Altitude Range	0.3 meter - 10 meter (0 - 33 feet)
Operating Range	0.3 meter - 10 meter (0 - 33 feet)
Operating Environment	Surface with clear pattern and adequate lighting ( lux > 15 )
Camera	
Sensor	1/2.3" Effective pixels:12 M
Lens	FOV ( Field Of View ) 94° 20 mm ( 35 mm format equivalent ) f/2.8 focus at ∞
ISO Range	100-3200(video) 100-1600(photo)
Electronic Shutter Speed	1/8 - 1/8000 s
Max Image Size	4000×3000
Still Photography Mode	single shot Burst shooting: 3/5/7 frames Auto Exposure Bracketing (AEB) 3/5 Bracketed frames at 0.7EV Bias Time-lapse HDR
Video Recording Modes	UHD: 4096×2160 (4K) 24 / 25p 3840×2160 (4K) 24 / 25 / 30p 2704×1520 (2.7K) 24 / 25 / 30p FHD: 1920×1080 24 / 25 / 30 / 48 / 50 / 60 / 120p HD: 1280×720 24 / 25 / 30 / 48 / 50 / 60p Max. Bitrate Of Video Storage 60 Mbps

Supported File Formtas	FAT32 ( ≤ 32 GB ); exFAT ( > 32 GB )
Photo	JPEG, DNG ( RAW )
Video	MP4/MOV ( MPEG-4 AVC/H.264 )
Supported SD Card Types	Micro SD Max capacity: 64 GB. Class 10 or UHS-1 rating required
Operating Temperature	32° to 104° F ( 0° to 40° C )
Remote Controller	
Operating Frequency	2.400 - 2.483 GHz
Max Transmission Distance	FCC: around 7 km ; CE: around 4 km ( Unobstructed, free of interference )
Operating Temperate	32° to 104° F ( 0° to 40° C )

Battery	2970 mAh
Transmitter Power (EIRP)	FCC: 30 dBm; CE: 19 dBm
Operating Voltage	700 mA @3.7 V
<b>Charger</b>	
Voltage	13.05 V
Rated Power	50 W
<b>Intelligent Flight Battery</b>	
Capacity	3830 mAh
Voltage	11.4 V
Battery Type	LiPo 3S
Energy	43.6 Wh
Weight	around 235 g
Operating Temperature	32° to 104° F ( 0° to 40° C )
Max Charging Power	100 W

### **FCC Compliance Notice**

This device complies with Part 15 of the FCC Rules. Operation is subject to the following two conditions: (1) This device may not cause harmful interference, and (2) This device must accept any interference received, including interference that may cause undesired operation.

Any changes or modifications not expressly approved by the party responsible for compliance could void the user's authority to operate the equipment.

This equipment has been tested and found to comply with the limits for a Class B digital device, pursuant to part 15 of the FCC Rules. These limits are designed to provide reasonable protection against harmful interference in a residential installation. This equipment generates, uses and can radiate radio frequency energy and, if not installed and used in accordance with the instructions, may cause harmful interference to radio communications. However, there is no guarantee that interference will not occur in a particular installation. If this equipment does cause harmful interference to radio or television reception, which can be determined by turning the equipment off and on, the user is encouraged to try to correct the interference by one or more of the following measures:

- Reorient or relocate the receiving antenna.
- Increase the separation between the equipment and receiver.
- Connect the equipment into an outlet on a circuit different from that to which the receiver is connected.
- Consult the dealer or an experienced radio/TV technician for help.

### **RF Exposure Information**

This M1P complies with FCC radiation exposure limits set forth for an uncontrolled environment. In order to avoid the possibility of exceeding the FCC radio frequency exposure limits, human proximity to the antenna shall not be less than 20cm during normal operation.

### **IC RSS Warning**

This device complies with Industry Canada licence-exempt RSS standard (s). Operation is subject to the following two conditions: (1) this device may not cause interference, and (2) this device must accept any interference, including interference that may cause undesired operation of the device.

Le présent appareil est conforme aux CNR d'Industrie Canada applicables aux appareils radio exempts de licence.

L'exploitation est autorisée aux deux conditions suivantes:

- (1) l'appareil ne doit pas produire de brouillage, et
- (2) l'utilisateur de l'appareil doit accepter tout brouillage radioélectrique subi, même si le brouillage est susceptible d'en compromettre le fonctionnement.

### **IC Radiation Exposure Statement:**

This equipment complies with IC RF radiation exposure limits set forth for an uncontrolled environment. This transmitter must not be co-located or operating in conjunction with any other antenna or transmitter.

This M1P should be installed and operated with minimum distance 20cm between the radiator & your body.

Cet appareil est

conforme aux limites d'exposition de rayonnement RF IC établies pour un environnement non contrôlé.

Cet émetteur ne doit pas être co-implanté ou fonctionner en conjonction avec toute autre antenne ou transmetteur.

Cet M1P doit être installé et utilisé avec une distance minimale de 20cm entre le radiateur & votre corps.

Any Changes or modifications not expressly approved by the party responsible for compliance could void the user's authority to operate the equipment.

**EU Compliance Statement:** SZ DJI TECHNOLOGY CO., LTD. hereby declares that this device is in compliance with the essential requirements and other relevant provisions of the R&TTE Directive. A copy of the EU Declaration of Conformity is available online at [www.dji.com/euro-compliance](http://www.dji.com/euro-compliance)



EU contact address: DJI GmbH, Industrie Strasse. 12, 97618, Niederlauer, Germany