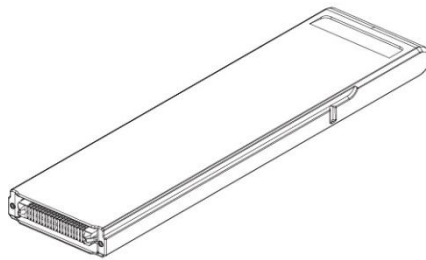


DJI CINESSD

Quick Start Guide

V1.0 2016.10



Disclaimer

Congratulations on purchasing your new DJI™ product. The information in this document affects your safety and your legal rights and responsibilities. Read this entire document carefully to ensure proper configuration before use. Failure to read and follow instructions and warnings in this document may result in serious injury to yourself or others, damage to your DJI product, or damage to other objects in the vicinity. This document and all other collateral documents are subject to change at the sole discretion of DJI.

By using this product, you hereby signify that you have read this disclaimer and warning carefully and that you understand and agree to abide by the terms and conditions herein. You agree that you are solely responsible for your own conduct while using this product, and for any consequences thereof. You agree to use this product only for purposes that are proper and in accordance with all applicable laws, rules, and regulations, and all terms, precautions, practices, policies and guidelines DJI has made and may make available.

DJI accepts no liability for damage, injury or any legal responsibility incurred directly or indirectly from the use of this product. The user shall observe safe and lawful practices including, but not limited to, those set forth in this document. Notwithstanding above, your statutory rights under applicable national legislation are not affected by this disclaimer.

DJI is a trademark of SZ DJI TECHNOLOGY CO., LTD. (abbreviated as “DJI”) and its affiliated companies. Names of products, brands, etc., appearing in this document are trademarks or registered trademarks of their respective owner companies. This product and document are copyrighted by DJI with all rights reserved. No part of this product or document shall be reproduced in any form without prior written consent of or authorization from DJI.

Warning

1. DO NOT plug or unplug the DJI CINESSD when it is powered on.
2. DO NOT place the DJI CINESSD next to strong magnetic or electric fields, or else your data may be damaged or lost.
3. Keep the DJI CINESSD away from direct sunlight or other heat sources.
4. Liquid spills may cause permanent damage to the DJI CINESSD.
5. DO NOT apply external pressure to the DJI CINESSD.
6. Dropping the DJI CINESSD may result in permanent damage.
7. Only use genuine DJI parts or parts certified by DJI. Unauthorized parts or parts from non-DJI-certified manufacturers may cause system malfunctions and compromise safety.
8. Ensure the DJI CINESSD and its components are free from contamination (e.g. water, oil, soil and sand).

Introduction

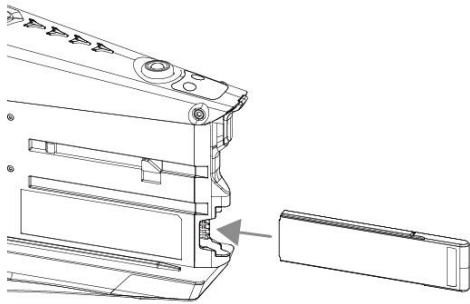
The DJI CINESSD is a high performance storage device designed for DJI Inspire 2 and other equipment. It is essential when shooting video in a lossless format.

Usage

To store files, insert the DJI CINESSD into Inspire 2; to export files, insert the DJI CINESSD into the DJI CINESSD Reader. The procedures below use the Inspire 2 as illustration.

Storing Files

1. Power off the Inspire 2.
2. Insert the DJI CINESSD into the Inspire 2. If the DJI CINESSD is not detected, check if it is inserted correctly.

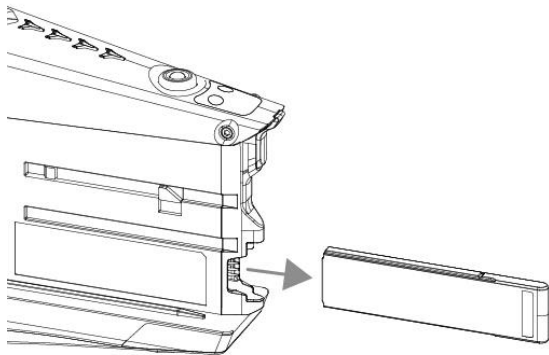


3. Power on the Inspire 2. Information of the DJI CINESSD will be available in the DJI GO app.

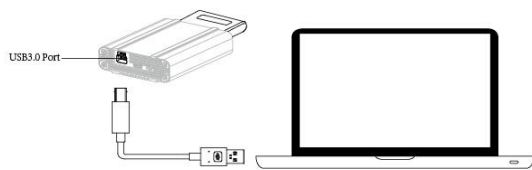
4. Video captured will be automatically stored on the DJI CINESSD.

Exporting Files

1. Power off the Inspire 2. Remove the DJI CINESSD.



2. Insert the DJI CINESSD into the DJI CINESSD Reader, then connect the DJI CINESSD Reader* to a computer.



*Take the DJI CINESSD Reader (USB Port) as example.

	<p>1. For DJI CINESSD Reader (USB Port): No other software is needed when exporting data from the DJI CINESSD.</p> <p>2. For DJI CINESSD Reader (Thunderbolt Port): Please install NVMe driver to export data for Window 7 users. The DJI CINESSD Reader (Thunderbolt Port) is currently supported on windows7 64bits OS and windows10 64bits OS.</p>
	<p>1. DO NOT remove the DJI CINESSD from the Inspire 2 when it is powered on.</p> <p>2. Only use compatible USB cables.</p> <p>3. Ensure to insert the DJI CINESSD into the reader before connecting it to the computer.</p> <p>4. Ensure to uninstall the reader before unplugging it from the computer after exporting files, or the data may be damaged or lost.</p> <p>5. Ensure a time interval of more than 15 seconds if you try to re-insert the DJI CINESSD.</p>

Specifications

Capacity	120GB/480GB
Size	105.6 mm × 27 mm × 7 mm
Weight	42.5 g
Operation Temperature Range	0° to 40°C
Storage Temperature Range	-40° to 85°C
Humidity	5% to 95%, non-condensing