

# Installation guide AELEMENT ANSI Lock

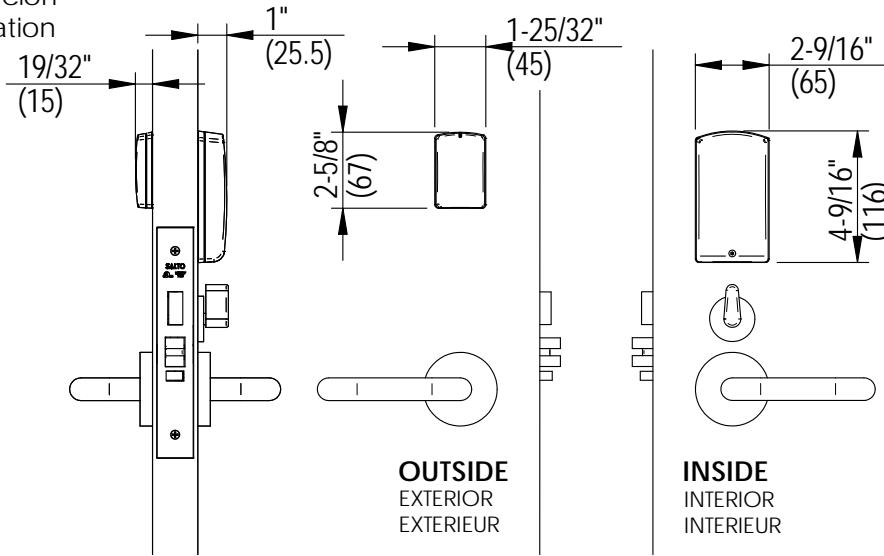


**SALTO**  
inspiredaccess

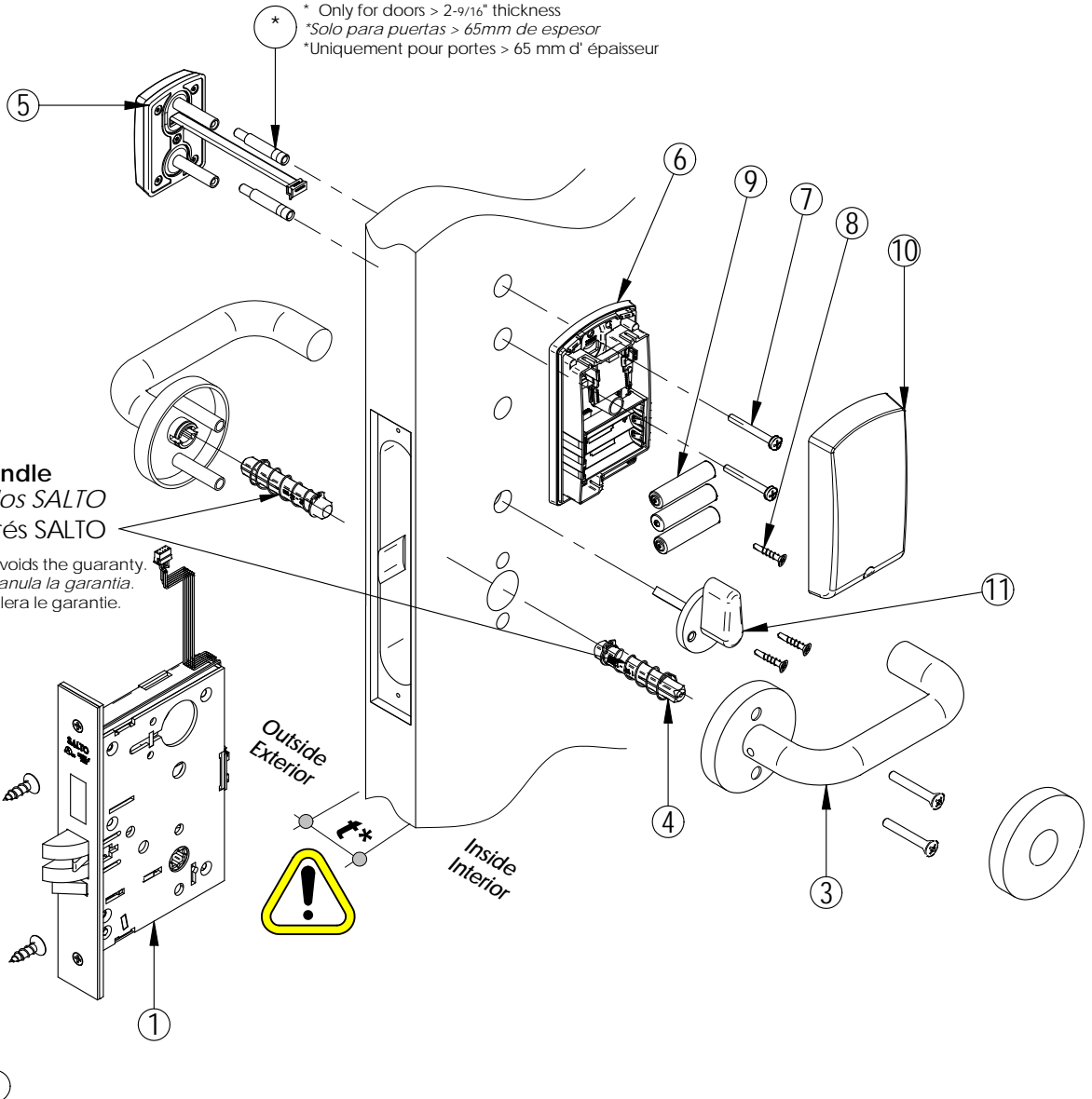
AE i 0 xxx... series  
(NO electronic privacy)



- Ⓔ Installation guide
- Ⓔ Guía de instalación
- Ⓔ Guide d'installation



\* Only for doors > 2-9/16" thickness  
\* Solo para puertas > 65mm de espesor  
\* Uniquement pour portes > 65 mm d' épaisseur



**Only SALTO spindle**  
*Solo cuadrillos SALTO*  
*Seulement carrés SALTO*

The mounting with other spindles voids the guaranty.  
*El montaje de otros cuadrillos anula la garantía.*  
*Le montage d'autres carrés annulera le garantie.*

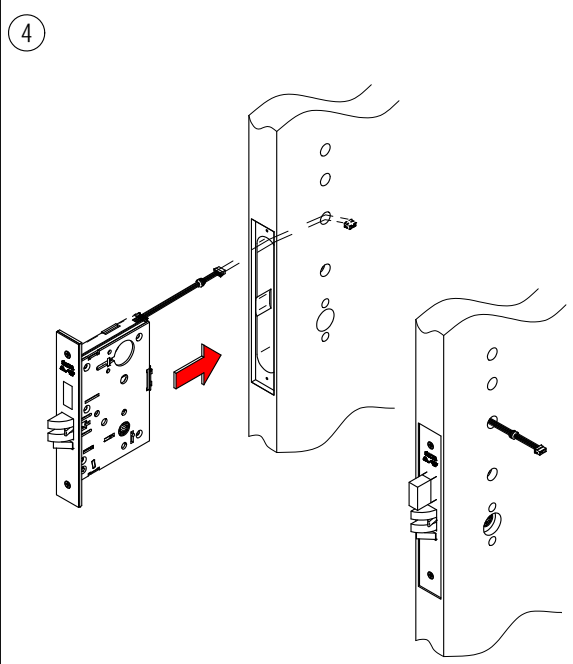
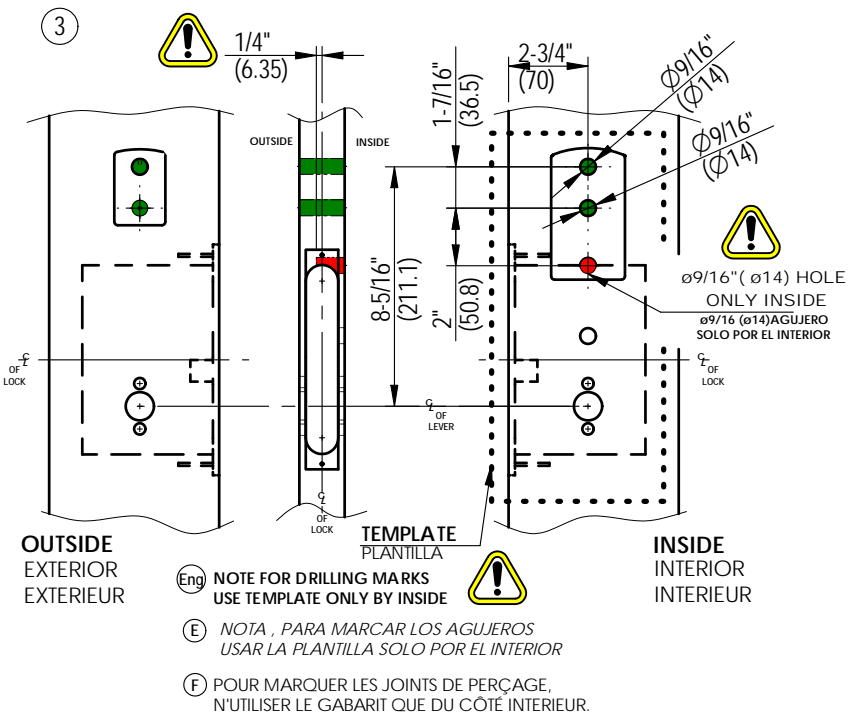
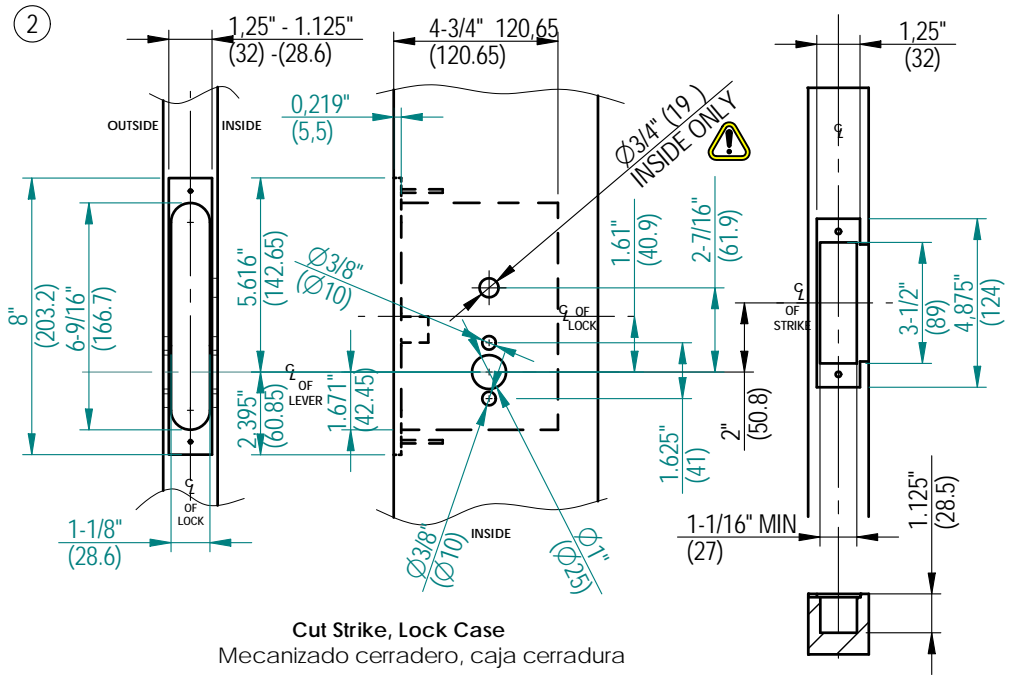
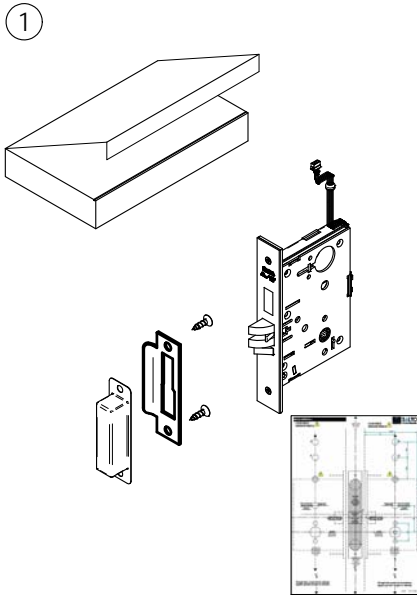


NOTE: Screws and spindles are included in the box of the reader.  
*NOTA: Los tornillos y cuadrillos estan incluidos en la caja del lector.*  
*NOTE: Les vis et les carrés sont inclus dans la boîte du lecteur.*

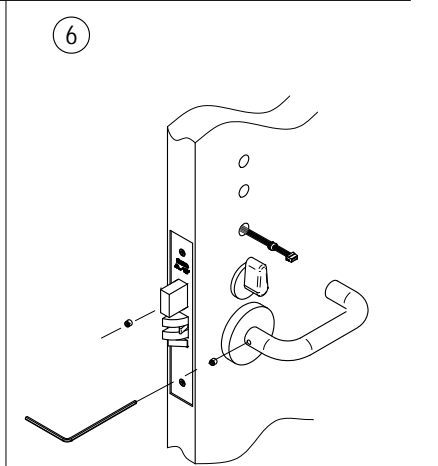
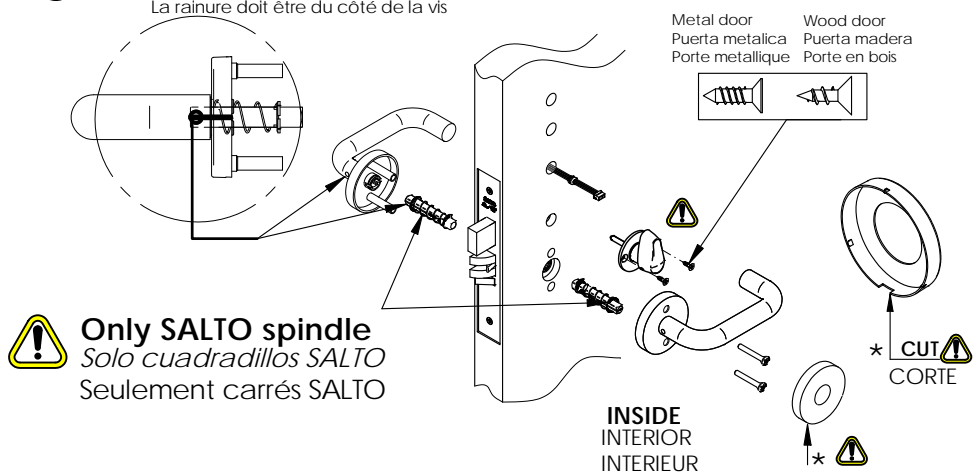
(mm)

Recommendation for Customer's lever set installation on SALTO AEElement.  
See : 4MO01300  
*Recomendaciones para la instalación de manillas Cliente en SALTO AEElement.*  
Ver: 4MO01300  
*Recommandation pour l'installation des béquilles client sur Salto AEElement.*  
Voir: 4MO01300

# Installation guide AELEMENT ANSI Lock



**5** The groove must be on the same side than the grub screw.  
La ranura en el lado del prisionero.  
La rainure doit être du côté de la vis



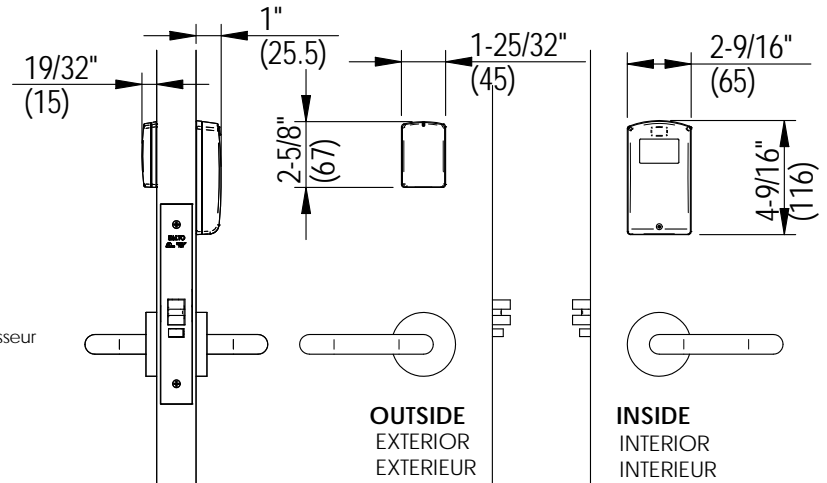


# Installation guide AELEMENT ANSI Lock

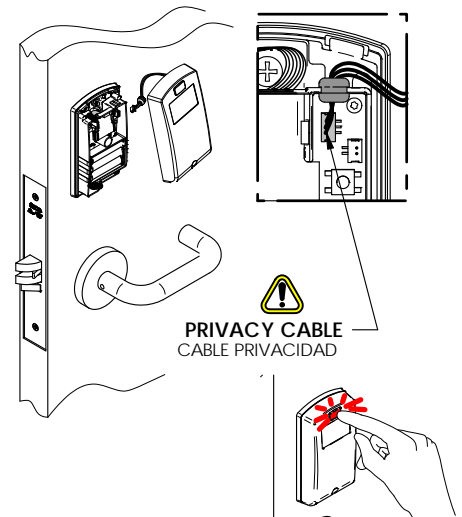
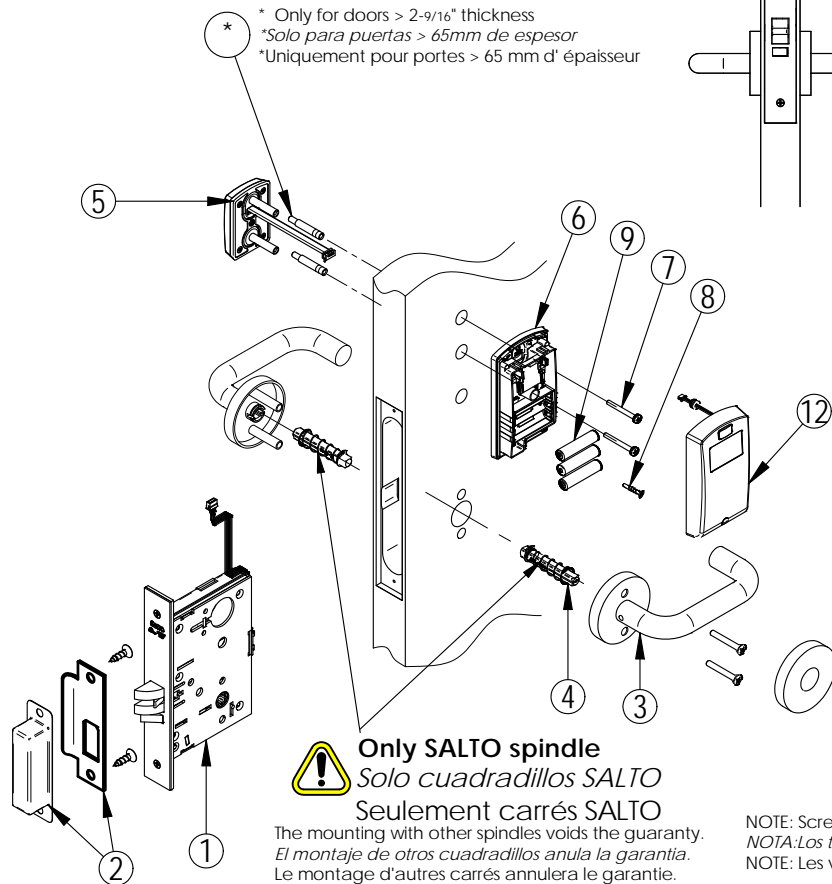


AE i 1 xxx... series  
(With electronic privacy)

- (Eng) Installation guide
- (E) Guía de instalación
- (F) Guide d'installation



\* Only for doors > 2-9/16" thickness  
\*Solo para puertas > 65mm de espesor  
\*Uniquement pour portes > 65 mm d' épaisseur



NOTE: Screws and spindles are included in the box of the reader.  
NOTA: Los tornillos y cuadradillos estan incluidos en la caja del lector.  
NOTE: Les vis et les carrés sont inclus dans la boîte du lecteur.

(Eng)

## Declaration of conformity

By means of the present Salto Systems S.L. (Pol. Lanbarren C/Arkotz, 9 - 20180 Oiartzun - Spain - CIF B20708517), declares that this equipment fulfills the essential requirements and any other applicable or indispensable dispositions of the Directive 1999/5/CE or the Directive 89/336/EEC. You will be able to find a copy of the original declaration of conformity at the following Internet address: <http://www.saltosystems.com>

All proximity models are "Receiver class 3".

(E)

## Declaración de conformidad

Por medio de la presente Salto Systems S.L. (Pol. Lanbarren C/Arkotz, 9 - 20180 Oiartzun - Spain - CIF B20708517), declara que este equipo cumple con los requisitos esenciales y cualesquiera otras disposiciones aplicables o exigibles de la Directiva 1999/5/CE o la Directiva 89/336/EEC. Podrá encontrar una copia de la declaración de conformidad original en la siguiente dirección de Internet: <http://www.saltosystems.com>

Todos los modelos de proximidad son "Receiver class 3".

(F)

## Déclaration de conformité

Par le biais de celle-ci, Salto Systems S.L. (Pol. Lanbarren C/Arkotz, 9 - 20180 Oiartzun - Spain - CIF B20708517), déclare être conforme aux normes essentielles et n'importe quelles autres dispositions applicables et exigibles des Directives 1999/5/CE ou 89/336/EEC. Vous pourrez trouver une copie de la déclaration de conformité originale sur le site internet suivant: <http://www.saltosystems.com>

Tous les modèles de proximité sont "Receiver class 3".

(D)

## Konformitätserklärung

Hiermit erklärt Salto Systems S.L. (Pol. Lanbarren C/Arkotz, 9 - 20180 Oiartzun - Spanien - UID-Nr. B20708517), dass sich dieses Produkt in Übereinstimmung mit den grundlegenden Anforderungen und den relevanten Vorschriften der Richtlinie 1999/5/EG bzw. 89/336/EG befindet. Die Kopie der Konformitätserklärung im Originalwortlaut ist auf folgender Website zu finden: <http://www.saltosystems.com>

Alle Proximity-Modelle sind "Receiver class 3".

(I)

## Dichiarazione di conformità

Con la presente Salto Systems S.L. (Pol. Lanbarren C/Arkotz, 9 - 20180 Oiartzun - Spain - CIF B20708517), dichiara che questa apparecchiatura è conforme ai requisiti essenziali ed a qualsiasi disposizione applicabile o esigibile in riferimento alla direttiva 1999/5/CE e della direttiva 89/336/EEC. È possibile trovare una copia originale della dichiarazione di conformità al seguente indirizzo internet <http://www.saltosystems.com>

Tutti i modelli di prossimità sono "Receiver Class 3"

## ONLY FOR PROXIMITY MODELS

This device complies with Part 15 of the FCC Rules and with Industry Canada licence-exempt RSS standard(s). Operation is subject to the following two conditions: (1) this device may not cause harmful interference, and (2) this device must accept any interference received, including interference that may cause undesired operation. Changes or modifications not expressly approved by the party responsible for compliance could void the user's authority to operate the equipment.

## **FCC Compliance Statements**

*(FCCID: UKCAE9, UKCAE9W, UKCL90, UKCG90, UKCRPOE, UKCNRF, UKCR485, UKCA9XX, UKCA9XW)*

This device complies with Part 15 of the FCC Rules. Operation is subject to the following two conditions: (1) this device may not cause harmful interference, and (2) this device must accept any interference received, including interference that may cause undesired operation. Changes or modifications not expressly approved by the party responsible for compliance could void the user's authority to operate the equipment.

*Note:* This equipment has been tested and found to comply with the limits for a Class B digital device, pursuant to part 15 of the FCC Rules. These limits are designed to provide reasonable protection against harmful interference in a residential installation. This equipment generates, uses, and can radiate radio frequency energy and, if not installed and used in accordance with the instructions may cause harmful interference to radio communications. However, there is no guarantee that interference will not occur in a particular installation. If this equipment does cause harmful interference to radio or television reception, which can be determined by turning the equipment off and on, the user is encouraged to try to correct the interference by one or more of the following measures:

- Reorient or relocate the receiving antenna.
- Increase the separation between the equipment and receiver.
- Connect the equipment into an outlet on a circuit different from that to which the receiver is connected.
- Consult the dealer or an experienced radio/TV technician for help.

## **Canadian Compliance Statement**

*(IC: 10088A-AE9, 10088A-AE9W, 10088A-L90, 10088A-G90, 10088A-RPOE, 10088A-NRF, 10088A-R485, 10088A-A9XX, 10088A-A9XW)*

This device complies with Industry Canada licence-exempt RSS standard(s). Operation is subject to the following two conditions: (1) this device may not cause harmful interference, and (2) this device must accept any interference received, including interference that may cause undesired operation. Changes or modifications not expressly approved by the party responsible for compliance could void the user's authority to operate the equipment.

Le présent appareil est conforme aux CNR d'Industrie Canada applicables aux appareils radio exempts de licence. L'exploitation est autorisée aux deux conditions suivantes : (1) l'appareil ne doit pas produire de brouillage, et (2) l'utilisateur de l'appareil doit accepter tout brouillage radioélectrique subi, même si le brouillage est susceptible d'en compromettre le fonctionnement.

## **EU Compliance Statement**

- EN Hereby, Salto Systems S.L. (Arkotz Kalea (Pol. Lanbarren), 9 – 20180 Oiartzun– Spain), declares that this access control equipment is in compliance with the essential requirements and other relevant provisions of Directive 1999/5/EC (R&TEE). You will be able to find a copy of the original declaration of conformity at the following Internet address: <http://www.saltosystems.com/declarations>
- ES Por medio de la presente Salto Systems S.L. (Arkotz Kalea (Pol. Lanbarren), 9 – 20180 Oiartzun– Spain) declara que este equipo de control de accesos cumple con los requisitos esenciales y cualesquiera otras disposiciones aplicables o exigibles de la Directiva 1999/5/CE (R&TEE). Podrá encontrar una copia de la declaración de conformidad original en la siguiente dirección de internet: <http://www.saltosystems.com/declarations>
- FR Par la présente Salto Systems S.L. (Arkotz Kalea (Pol. Lanbarren), 9 – 20180 Oiartzun– Spain) déclare que l'appareil access control equipment est conforme aux exigences essentielles et aux autres dispositions pertinentes de la Directive 1999/5/CE (R&TEE). You will be able to find a copy of the original declaration of conformity at the following Internet address: <http://www.saltosystems.com/declarations>
- DE Hiermit erklärt Salto Systems S.L. (Arkotz Kalea (Pol. Lanbarren), 9 – 20180 Oiartzun– Spain), dass sich das Gerät access control equipment in Übereinstimmung mit den grundlegenden Anforderungen und den übrigen einschlägigen Bestimmungen der Richtlinie 1999/5/EG (R&TEE). You will be able to find a copy of the original declaration of conformity at the following Internet address: <http://www.saltosystems.com/declarations>
- DU Hierbij verklaart Salto Systems S.L. (Arkotz Kalea (Pol. Lanbarren), 9 – 20180 Oiartzun– Spain) dat het toestel access control equipment in overeenstemming is met de essentiële eisen en de andere relevante bepalingen van richtlijn 1999/5/EG (R&TEE). You will be able to find a copy of the original declaration of conformity at the following Internet address: <http://www.saltosystems.com/declarations>

## **Mechanical Warnings**

In order to assure a good performance for the device, Salto recommends to use a certified mortise lock and make sure that it is in good condition. Do not knock the device while mounting, if necessary, loose the trims fixation. Do not bring the device into contact with oil, paints or acids. Do not paint the door with the mortise lock fixed to the door.

CLEANING THE ELECTRONIC FURNITURE: You can use a damp cloth from soapy water. Never use abrasive soaps or sprays. It is important to clean stainless steel regularly.

## **Legal Warnings**

SALTO shall not be liable for any losses, personal damages or claims arising out of, or in connection with the wrong fitting of the cylinders or bad programming that can cause blocking of entries and exits i.e. blocking entrance, exit of injured or people in danger.

Do you have the programming keys or management software (not included in this box)? If not, then take note that when the door is closed without having been programmed it will automatically lock, and can only be opened with a Portable Programming Device. If in any doubt, please contact your supplier or visit our Web site: [www.saltosystems.com](http://www.saltosystems.com)

According to the fourth point on the SALTO SYSTEMS LIMITED WARRANTY document, the warranty does not cover product failures due to repair installations, modifications or improper service performed by non-Salto authorised persons. The user is not allowed to disassemble the inner electromechanic structure in the SALTO furniture. (for instance, loosening the torx screws) In the case of a user intended intervention at the inner parts, the user will lose any warranty right from SALTO.



N20371

Copyright © 2013 SALTO Systems