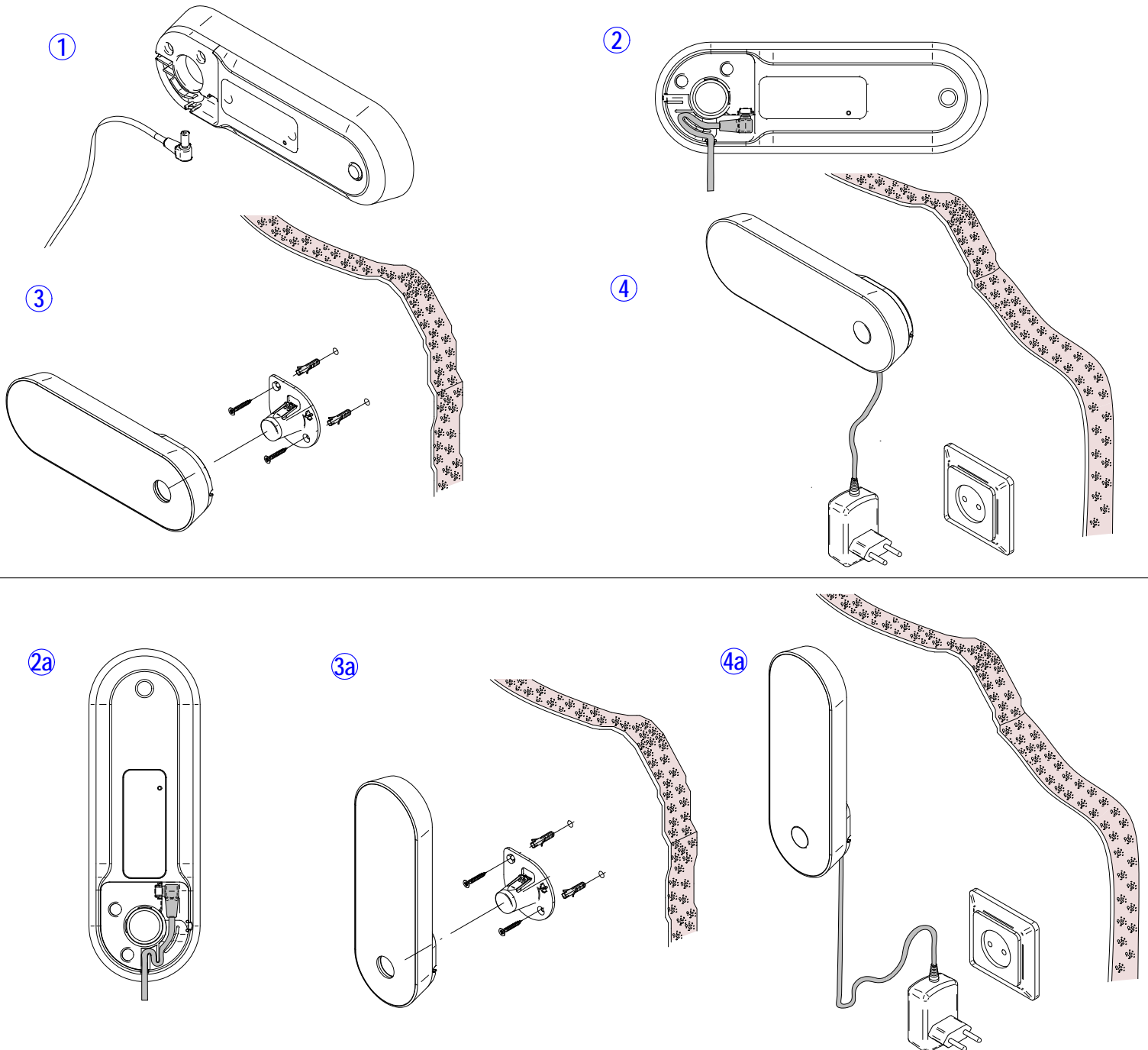
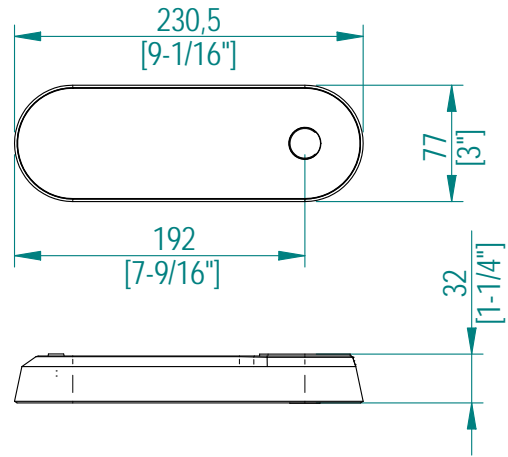
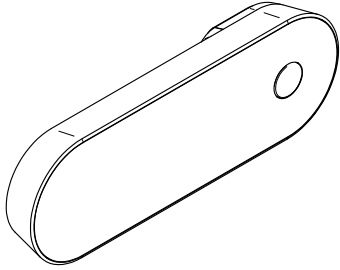


- Eng **INSTALLATION**
- E **INSTALACION**
- D **HANDLEIDIG**
- F **INSTALLATION**

**Clay IQ
Clay Repeater**



- (Eng) **ELECTRICAL FEATURES**
 (E) **CARACTERISTICAS ELECTRICAS**
 (D) **ELECTRISCHE ESPEZIFIKATIONEN**
 (F) **CARACTERISTIQUES ELECTRIQUES**

Clay IQ

Electrical Features

Operation conditions

	Min	Max	Unit
Temperature	0	40	°C

2.4Ghz RF Characteristics

Frequency Range	2405-2480 Mhz (ISM band)
RF Standard	IEEE 802.15.4
Indoor Radio Range	10/15m

GPRS RF Characteristics (Worldwide compatible)

Frequency Bands	EGSM – GPRS 900/850 radio GSM – GPRS 1800/1900 radio EGPRS 900/850 radio EGPRS 1800/1900 radio GSM/GPRS class 10 and EGPRS class 10 capable
-----------------	---

Power Supply Characteristics (Only for use with Clay's power supply)

		Unit
Input Voltage	12	V
Max Current	800	mA

Warning Don't install the device near a metallic surface to ensure correct operation

Clay Repeater

Electrical Features

Operation conditions

	Min	Max	Unit
Temperature	0	40	°C

2.4Ghz RF Characteristics

Frequency Range	2405-2480 Mhz (ISM band)
RF Standard	IEEE 802.15.4
Indoor Radio Range	10/15m

Power Supply Characteristics (Only for use with Clay's power supply)

		Unit
Input Voltage	12	V
Max Current	800	mA

Warning Don't install the device near a metallic surface to ensure correct operation