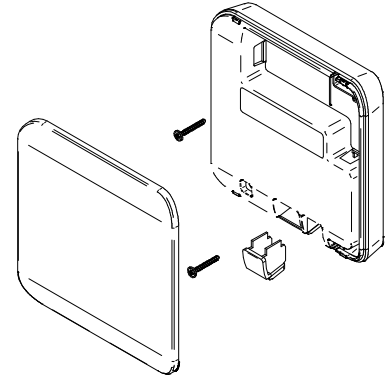
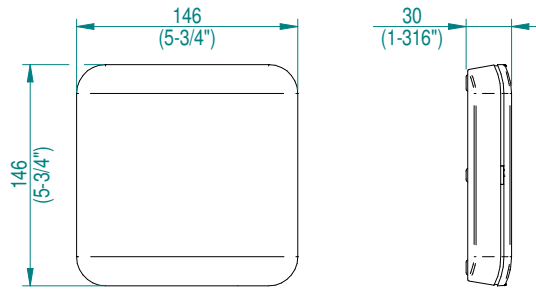
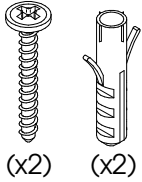


# Installation guide

IQ2.0

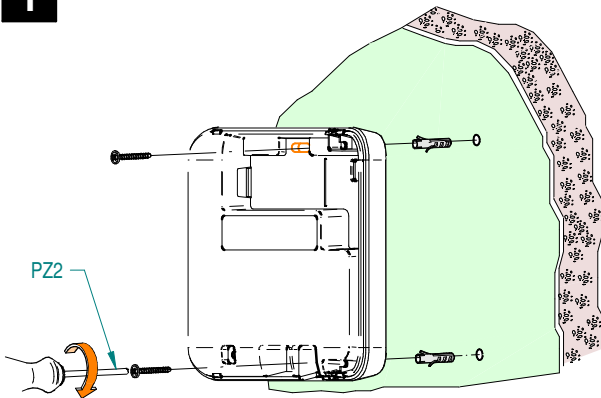
**SALTO**  
inspiredaccess

- (Eng) Installation guide
- (E) Guía de instalación
- (D) Montageanleitung
- (F) Guide d'installation
- (P) Guia de instalação

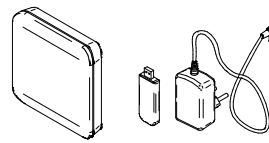


(Eng) Installation (E) Instalación (D) Installation (F) Installation (P) Instalação

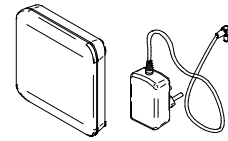
1



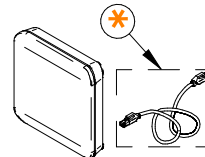
**a** ETHERNET + CELLULAR MODEL



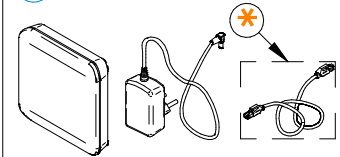
**b** ETHERNET + WIFI MODEL



**c** ETHERNET + POE MODEL



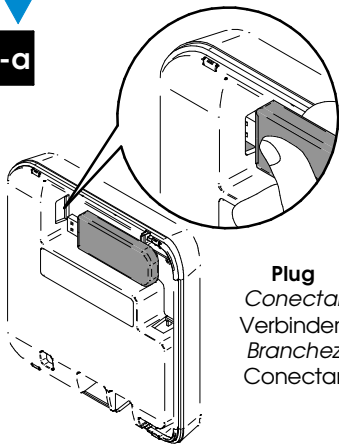
**d** ETHERNET MODEL



(\*)Not included/ No incluido/ Nicht enthalten/ Non inclus/ Não incluso

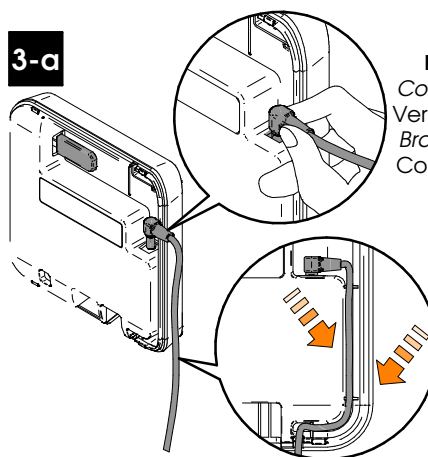
**a** ETHERNET + CELLULAR MODEL

2-a



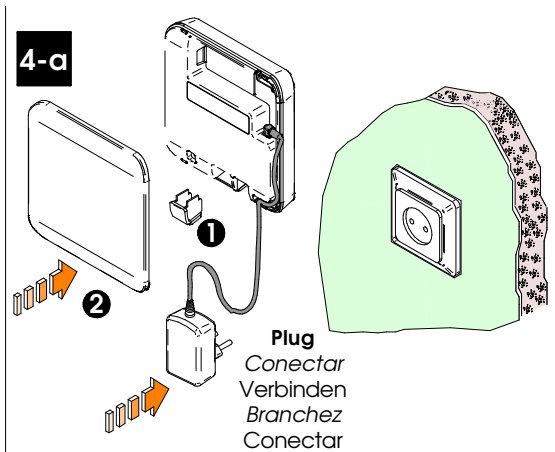
Plug  
Conectar  
Verbinden  
Branchez  
Conectar

3-a



Plug  
Conectar  
Verbinden  
Branchez  
Conectar

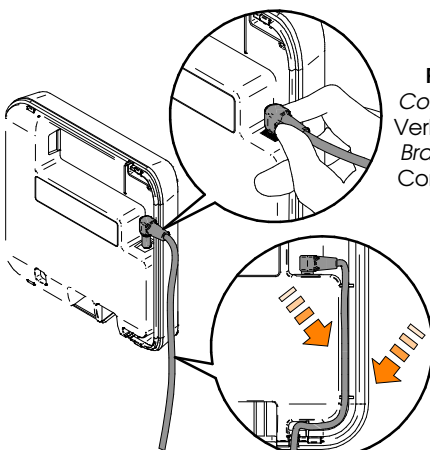
4-a



Plug  
Conectar  
Verbinden  
Branchez  
Conectar

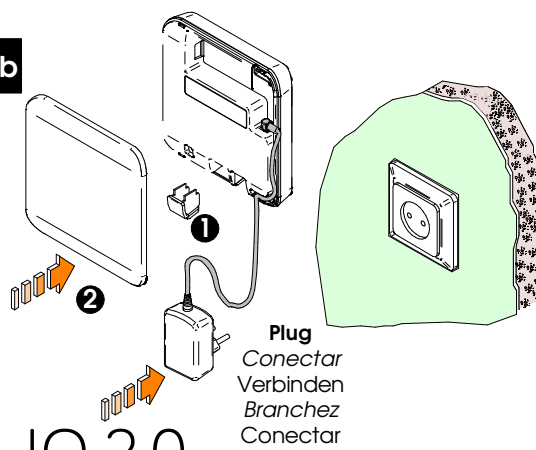
**b** ETHERNET + WIFI MODEL

2-b



Plug  
Conectar  
Verbinden  
Branchez  
Conectar

3-b



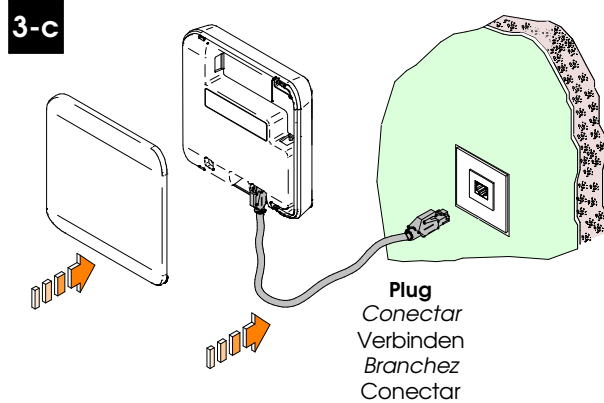
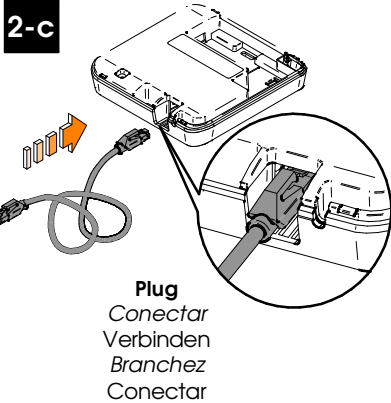
Plug  
Conectar  
Verbinden  
Branchez  
Conectar

IQ 2.0

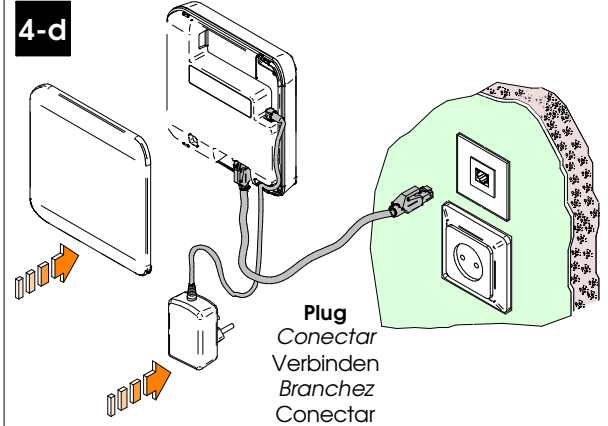
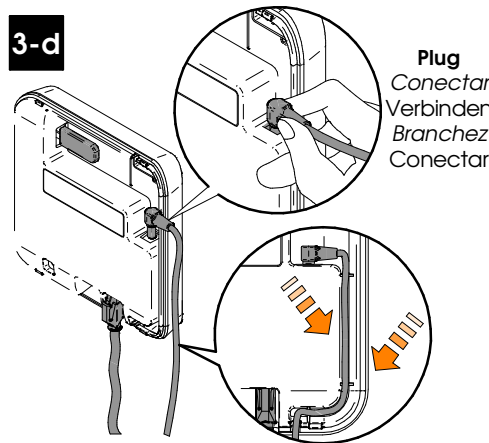
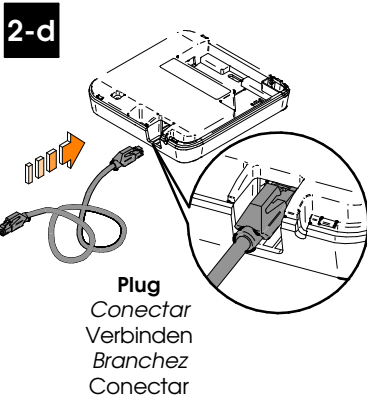
# Installation guide

## IQ2.0

### ETHERNET + POE MODEL



### ETHERNET MODEL



#### Eng Electrical features

- E Características eléctricas
- D Elektrische espezifikationen
- F Caracteristiques electriques
- P Características eléctricas

#### OPERATION CONDITIONS

	Min	Max	Unit
Temperature	0	40	°C

#### 2.4 Ghz RF CHARACTERISTICS

Frequency Range	2405-2480 Mhz (ISM band)
RF Standard	IEEE 802.15.4
Indoor Radio Range	7m

#### POWER SUPPLY CHARACTERISTICS

(Only for use with KS's power supply)

		Unit
Input Voltage	12	V
Max Current	800	mA

#### OTHER CHARACTERISTICS:

<b>WIFI</b>
IEEE 802.11 b/g/n radio

<b>BLE</b>
Bluetooth 4.2 Compliant
Integrated antenna
TX power: up to +8dBm
RX sensitivity: down to -92dBm
Range: up to 200 meters

<b>POE</b>
The POE connection complies to IEEE 802.3af (max 15.40W, also known as 802.3a Type 1)

**To ensure a correct operation, do not install the device near a metallic surface.**

*Para asegurar un correcto funcionamiento, no instalar el dispositivo cerca de una superficie metálica.*

Um einen einwandfreien Betrieb zu gewährleisten, installieren Sie das Gerät dann nicht in der Nähe von einer metallischen Oberfläche.

*Pour assurer un fonctionnement correct, n'installez pas l'appareil près d'une surface métallique.*

Para assegurar o funcionamento adequado, não instale o aparelho perto de uma superfície de metal

