

STAGE XPD1



Quick Start Guide

SAMSON[®]

FCC Notice

1. This device complies with Part 15 of the FCC Rules. Operation is subject to the following two conditions:
 - (1) This device may not cause harmful interference.
 - (2) This device must accept any interference received, including interference that may cause undesired operation.
2. Changes or modifications not expressly approved by the party responsible for compliance could void the user's authority to operate the equipment.

FCC Statement

This equipment has been tested and found to comply with the limits for a Class B digital device, pursuant to Part 15 of the FCC Rules. These limits are designed to provide reasonable protection against harmful interference in a residential installation.

This equipment generates uses and can radiate radio frequency energy and, if not installed and used in accordance with the instructions, may cause harmful interference to radio communications. However, there is no guarantee that interference will not occur in a particular installation. If this equipment does cause harmful interference to radio or television reception, which can be determined by turning the equipment off and on, the user is encouraged to try to correct the interference by one or more of the following measures:

- Reorient or relocate the receiving antenna.
- Increase the separation between the equipment and receiver.
- Connect the equipment into an outlet on a circuit different from that to which the receiver is connected.
- Consult the dealer or an experienced radio/TV technician for help.

RF Warning Statement

The device has been evaluated to meet general RF exposure requirement. The device can be used in portable exposure condition without restriction.

This device complies with RSS-310 of Industry Canada. Operation is subject to the condition that this device does not cause harmful interference.

Important Safety Information

1. Attention should be drawn to the environmental aspects of battery disposal
2. The use of apparatus in moderate climates
3. **CAUTION**
Danger of explosion if battery is incorrectly replaced.
Replace only with the same or equivalent type.
4. Batteries (battery pack or batteries installed) shall not be exposed to excessive heat such as sunshine, fire or the like.



If you want to dispose this product, do not mix it with general household waste. There is a separate collection system for used electronic products in accordance with legislation that requires proper treatment, recovery and recycling.

Private household in the 28 member states of the EU, in Switzerland and Norway may return their used electronic products free of charge to designated collection facilities or to a retailer (if you purchase a similar new one).

For Countries not mentioned above, please contact your local authorities for a correct method of disposal. By doing so you will ensure that your disposed product undergoes the necessary treatment, recovery and recycling and thus prevent potential negative effects on the environment and human health.

Introduction

Samson's Stage XPD1 USB Digital Wireless System brings the convenience of wireless to your computer recordings and beyond. With a wireless receiver built into a USB stick and a belt pack transmitter, with a lavalier or headset microphone, the Stage XPD1 allows you to wirelessly record stunning audio straight to your Mac/PC and favorite digital audio software. It's the ideal wireless system for presentations, podcasting, YouTube performances, karaoke video games, voice over projects and much more.

The Stage XPD1 operates in the license-free 2.4GHz frequency band, which is free from interference caused by television stations and other white space broadcast devices. The included microphone is designed to provide exceptional sound reproduction for spoken word presentations, as well as singing applications and more. The Stage XPD1 system is extremely fast and easy to setup. With the receiver connected to your computer via USB and the mic transmitter turned on, simply press the Pair button on the receiver and you're set. The Stage XPD1's 100' operating range (environment dependent) between receiver and transmitter provides users with plenty of room to work wirelessly.

In addition the Stage XPD1 is the perfect accessory for expanding the Samson Expedition Series Portable PA Systems. Via their USB Wireless ports, these Expedition PAs can be connected with the Stage XPD1 for full range wireless capability in live applications.



We recommend you keep the following records for reference, as well as a copy of your sales receipt.

Serial number: _____

Date of purchase: _____

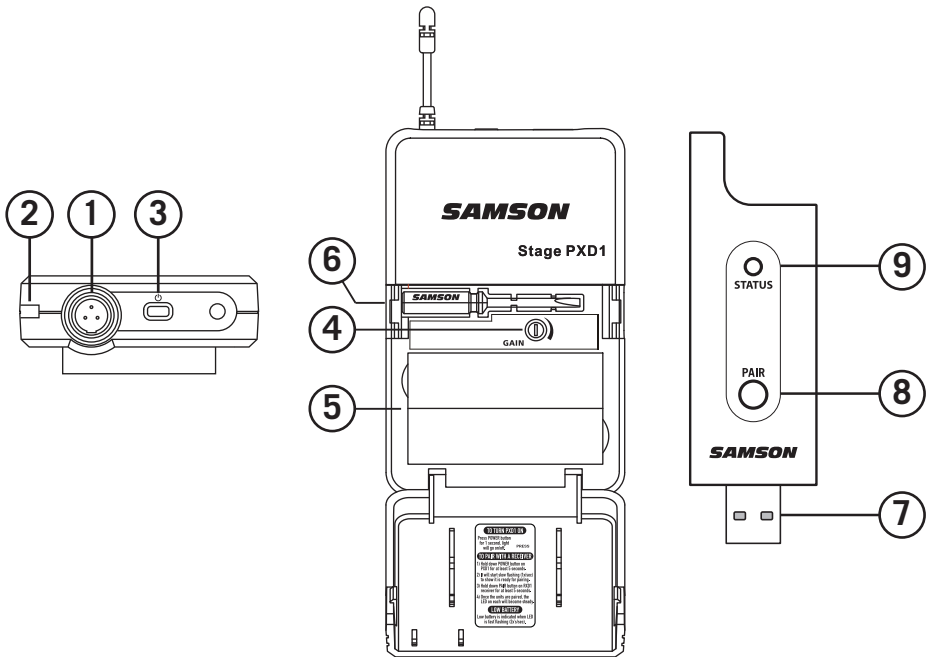
Dealer name: _____

With proper care and maintenance, your Stage XPD1 will operate trouble-free for many years. Should your system ever require servicing, a Return Authorization (RA) number must be obtained before shipping your unit to Samson. Without this number, the unit will not be accepted. Please call Samson at 1-800-3SAMSON (1-800-372-6766) for an RA number prior to shipping your unit. Please retain the original packing materials and, if possible, return the unit in its original carton. If your Stage XPD1 was purchased outside of the United States, contact your local distributor for warranty details and service information.

Features

- 2.4GHz digital wireless system
- Wireless receiver built into a USB stick
- Belt pack transmitter with Lavalier or Headset microphone
- Easy pairing for fast set up
- 100' operating range (environment dependent)
- Ideal for podcasting, karaoke video games, voice over projects and more
- Record wirelessly to your favorite DAW or voice recognition software on your Mac/PC
- Transmitter operates on two AA batteries (not included)
- Compatible with Samson Expedition Series Portable PAs that feature USB Wireless ports

Stage XPD1 Controls



1. **Input Connector** - Connect the input device via the mini-XLR connector. The PXD1 is supplied with either a lavalier or headset microphone.

2. **Status Indicator** - This LED displays the operation mode:

Amber	Normal Operation
Flashing Amber	Pairing/Low Battery

3. **Power/Pair Switch** - Press <5 seconds to turn the unit on or off. Press >5 seconds to enter pairing mode.

4. **Input GAIN Control** - This control adjusts the transmitter input sensitivity.

5. **Battery Holder** - Insert two standard AA (LR6) batteries here, being sure to observe the plus and minus polarity markings shown. Although rechargeable Ni-Cad batteries can be used, they do not supply adequate current for more than four hours. **WARNING:** Do not insert the batteries backwards; doing so can cause severe damage to the PXD1 and will void your warranty.

6. **Plastic Screwdriver** - Used to adjust the input GAIN control.

7. **USB Connector** - Plugs into the USB jack on the rear panel of a wirelessly enabled Samson audio device. The receiver can also plug directly into a computer USB port and will be recognized as a USB audio device. The unit passes audio to the device and receives power from the device through this connector.

8. **PAIR Switch** - Press >5 seconds to enter pairing mode.

9. **STATUS Indicator** - This LED displays the operation mode:

Amber	Normal Operation
Flashing Amber	Pairing
No Light	Not Paired; Transmitter Out Of Range; No Power

Quick Start

1. Plug the RXD1 USB receiver into a USB jack on a wirelessly enable Samson audio device or to a USB port on a computer.
Note: When using the Stage XPD1 wireless system with a computer, you must set the computer's audio input device to **"Samson RXD Wireless Receiver"**. In most computer operating systems, an audio software must be used to record or monitor the audio from the USB receiver.
2. Place a fresh set of AA (LR6) batteries in the transmitter battery holder, taking care to observe the polarity markings.
3. Turn the wireless level knob on the audio device completely counterclockwise, then turn the power of the audio device to the ON position.
4. Turn on the power to the transmitter by pressing and holding Power switch; the indicator LED will light amber.
5. If the transmitter and receiver have not been previously paired, press and hold the button on the RXD1 receiver for >5 seconds, until it begins to flash. Press and continue to hold the Power button on the transmitter until the LED indicators on both units light steady, indicating that the receiver and transmitter are paired and ready for operation.
6. Speak or sing into the microphone at a normal performance level and raise the wireless level control until the desired level is reached. For best signal-to-noise operation, set the input Gain control as high as possible without overloading.
7. If you hear distortion turn down the wireless level on the audio device. If distortion is still audible, use the supplied plastic screwdriver to turn the Gain control in the PXD1 transmitter slowly counterclockwise until the distortion disappears.
8. Conversely, if you hear a weak, noisy signal at the desired volume level and with the wireless level control of the audio device is set to maximum, use the supplied plastic screwdriver to turn the Gain control in the PXD1 transmitter slowly clockwise until the signal reaches an acceptable level.



Using the Stage XPD1 in Wireless Environments

- The device that the Stage XPD1 receiver is connected should be placed at least 15' from a wireless router.
- Range can decrease in the presence of a strong 2.4GHz wireless network.
- Range can decrease in the presence of many Bluetooth devices.
- Re-pair the transmitter and receiver if you are experiencing dropouts or a reduction of the overall range.

Specifications

Simultaneous Systems	2
Working Range	100' line of sight
Working Frequency	2.404~2.476GHZ
Modulation type	GFSK
Audio Frequency Response	20HZ - 16KHZ
T.H.D	<0.1% (at 1KHz, -10dBu)
Signal to Noise.	>85 dB
Operating Temperature	-10°C ~ +40°C

Stage PXD1

Input Connector	Mini-XLR (P3)
RF Power	<10 mW EIRP
Power Requirements	Two AA (LR6) alkaline batteries
Battery Life	20 hours
Dimensions (HxLxD)	3.75" x 2.44" x 0.75" 96mm x 62mm x 18.5mm
Weight.	0.2 lb / 93 g

Stage RXD1

Max. Analog Audio Output Level.	0 dBu
Audio Output Impedance	100 kΩ
USB audio sample rate	32 KHZ
USB audio support	Vista, Win7, Win8, Mac OSX without driver
Operating Voltage	5V DC
Dimensions (LxDxH)	3.5" x 0.9" x .31" 89 mm x 23 mm x 8 mm
Weight.	0.35 oz / 10 g

At Samson, we are continually improving our products, therefore specifications and images are subject to change without notice.

R&TTE Declaration of Conformity

CE 0197

In accordance with EN ISO 17050:2005

We, Samson Technologies Corporation, located at 45 Gilpin Ave, Hauppauge, NY 11788 USA declare under our own responsibility that the products:

Product Name: Stage XPD1 Wireless Microphone
Trade Name: Samson
Type or Model: RXD1 (Receiver), PXD1 (Transmitter)

are in conformity with the essential requirements of the following EC Directive(s) when installed in accordance with the installation instructions contained in the product documentation:

2006/95/EC LVD Directive
2004/108/EC EMC Directive
1999/5/EC R&TTE Directive

The product is in conformity with the following standards and/or other normative documents:

EN60065:2014 Audio, video and similar electronic apparatus - Safety requirements
EN301 489-1 V1.9.2 Common technical requirements.
EN301 489-3 V 1.6.1 Electromagnetic compatibility and Radio spectrum Matters (ERM);
Electro Magnetic Compatibility (EMC) standard for radio equipment
and services; Part 3: Specific conditions for Short-Range Devices
(SRD) operating on frequencies between 9 kHz and 40 GHz
EN 300 440-2 V1.4.1 Electromagnetic compatibility and Radio spectrum Matters (ERM);
Short range devices; Radio equipment to be used in the 1 GHz
to 40 GHz frequency range; Part 2: Harmonized EN covering the
essential requirements of article 3.2 of the R&TTE Directive
EN62479:2010 Assessment of the compliance of low power electronic and
electrical equipment with the basic restrictions related to human
exposure to electromagnetic fields (10 MHz to 300 GHz)

Year of CE Marking (Low Voltage Directive): 2015

Identification Mark: **0197** (*Notified body number*)

Signed on behalf of the manufacturer:

Authorized Representative:

Position:

Date:



Douglas Bryant

Vice President Engineering

August 2, 2015

Samson Technologies Corp.
45 Gilpin Avenue
Hauppauge, New York 11788-8816
Phone: 1-800-3-SAMSON (1-800-372-6766)
Fax: 631-784-2201
www.samsontech.com