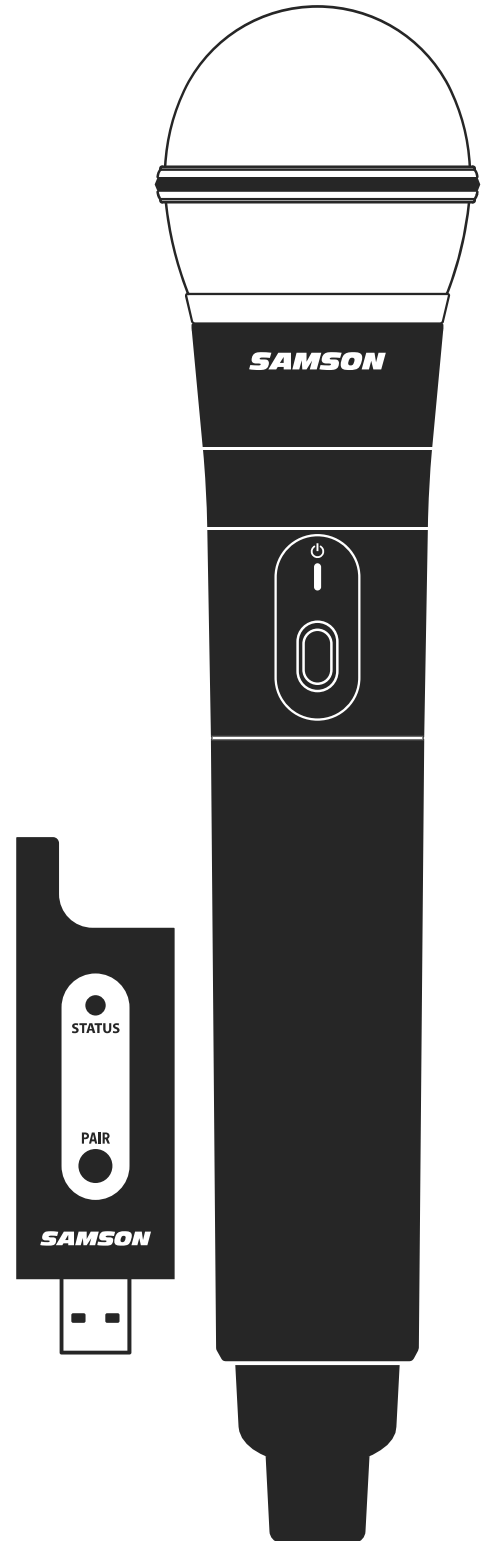


SAMSON[®]

Stage XPD1

USB Digital Wireless System



Samson Technologies Corp.
45 Gilpin Avenue
Hauppauge, New York 11788-8816
Phone: 1-800-3-SAMSON (1-800-372-6766)
Fax: 631-784-2201
www.samsontech.com

Quick Start Guide

Safety Information

FCC Notice

1. This device complies with Part 15 of the FCC Rules. Operation is subject to the following two conditions:
 - (1) This device may not cause harmful interference.
 - (2) This device must accept any interference received, including interference that may cause undesired operation.
2. Changes or modifications not expressly approved by the party responsible for compliance could void the user's authority to operate the equipment.

FCC Statement

This equipment has been tested and found to comply with the limits for a Class B digital device, pursuant to Part 15 of the FCC Rules. These limits are designed to provide reasonable protection against harmful interference in a residential installation.

This equipment generates uses and can radiate radio frequency energy and, if not installed and used in accordance with the instructions, may cause harmful interference to radio communications. However, there is no guarantee that interference will not occur in a particular installation. If this equipment does cause harmful interference to radio or television reception, which can be determined by turning the equipment off and on, the user is encouraged to try to correct the interference by one or more of the following measures:

- Reorient or relocate the receiving antenna.
- Increase the separation between the equipment and receiver.
- Connect the equipment into an outlet on a circuit different from that to which the receiver is connected.
- Consult the dealer or an experienced radio/TV technician for help.

RF Warning Statement

The device has been evaluated to meet general RF exposure requirement. The device can be used in portable exposure condition without restriction.

This device complies with RSS-310 of Industry Canada. Operation is subject to the condition that this device does not cause harmful interference.

WARNING: The battery (battery or batteries or battery pack) shall not be exposed to excessive heat such as sunshine, fire or the like.



If you want to dispose this product, do not mix it with general household waste. There is a separate collection system for used electronic products in accordance with legislation that requires proper treatment, recovery and recycling.

Private household in the 28 member states of the EU, in Switzerland and Norway may return their used electronic products free of charge to designated collection facilities or to a retailer (if you purchase a similar new one).

For Countries not mentioned above, please contact your local authorities for a correct method of disposal.

By doing so you will ensure that your disposed product undergoes the necessary treatment, recovery and recycling and thus prevent potential negative effects on the environment and human health.

Copyright 2014

v1.1

Samson Technologies Corp.

45 Gilpin Avenue

Hauppauge, New York 11788-8816

Phone: 1-800-3-SAMSON (1-800-372-6766)

Fax: 631-784-2201

www.samsontech.com

CE0197

Specifications

Simultaneous Systems	2
Working Range	100' line of sight
Working Frequency	2.404~2.476GHZ
Modulation type	GFSK
Audio Frequency Response	20HZ - 16KHZ
T.H.D	<0.1% (at 1KHz, -10dBu)
Signal to Noise.	>85 dB
Operating Temperature	-10°C ~ +40°C

Stage HXD1

Microphone Element	Q6 Dynamic
RF Power	<10 mW EIRP
Power Requirements	Two AA (LR6) alkaline batteries
Battery Life	20 hours
Dimensions	10.2" x ø2.1" 260 mm x ø54 mm
Weight.	0.5 lb 218 g

Stage RXD1

Max. Analog Audio Output Level. .	0 dBu
Audio Output Impedance	100 Kohms
USB audio sample rate	32 KHZ
USB audio support	Vista, Win7, Win8, Mac OSX without driver
Operating Voltage	5V DC
Dimensions (LxDxH)	3.5" x 0.9" x .31" 89 mm x 23 mm x 8 mm
Weight.	0.35 oz 10 g

At Samson, we are continually improving our products, therefore specifications and images are subject to change without notice.

Introduction

Samson's Stage XPD1 USB Digital Wireless System brings the convenience of wireless to your computer recordings and beyond. With a wireless receiver built into a USB stick and a high quality handheld dynamic microphone transmitter, the Stage XPD1 allows you to wirelessly record stunning audio straight to your Mac/PC and favorite digital audio software. It's the ideal wireless system for podcasting, YouTube performances, karaoke video games, voice over projects and much more.

The Stage XPD1 operates in the license-free 2.4GHz frequency band, which is free from interference caused by television stations and other white space broadcast devices. The included microphone transmitter features a high quality dynamic microphone capsule designed to provide exceptional sound reproduction for spoken word presentations, as well as singing applications and more. The Stage XPD1 system is extremely fast and easy to setup and has 100' operating range (environment dependent) between receiver and transmitter provides users with plenty of room to work wirelessly.

In addition to connecting directly to your computer for wireless recording purposes, the Stage XPD1 is the perfect accessory for expanding the reach of your Samson Expedition Series Portable PA (XP106 and XP1000 models only). Via their USB Wireless ports, these Expedition PAs can be joined with the Stage XPD1 for full range wireless capability in a variety of live applications.

We recommend you keep the following records for reference, as well as a copy of your sales receipt.

Serial number: _____

Date of purchase: _____

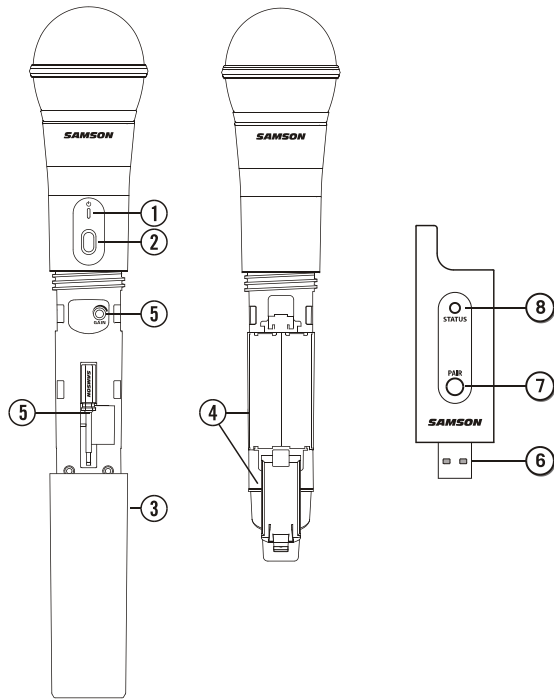
Dealer name: _____

With proper care and maintenance, your Stage XPD1 will operate trouble-free for many years. Should your system ever require servicing, a Return Authorization (RA) number must be obtained before shipping your unit to Samson. Without this number, the unit will not be accepted. Please call Samson at 1-800-3SAMSON (1-800-372-6766) for an RA number prior to shipping your unit. Please retain the original packing materials and, if possible, return the unit in its original carton. If your Stage XPD1 was purchased outside of the United States, contact your local distributor for warranty details and service information.

Features

- 2.4GHz digital wireless system
- Wireless receiver built into a USB stick
- Handheld dynamic microphone transmitter
- Easy pairing for fast set up
- 100' operating range (environment dependent)
- Ideal for podcasting, karaoke video games, voice over projects and more
- Record wirelessly to your favorite DAW or voice recognition software on your Mac/PC
- Transmitter operates on two AA batteries (not included)
- Compatible with Samson Expedition Series Portable PAs that feature USB Wireless ports

Stage XPD1 Controls



1. **Status Indicator** - This LED displays the operation mode:

Amber	Normal Operation
Flashing Amber	Pairing/Low Battery

2. **Power/Pair Switch** - Press <5 seconds to turn the unit on or off. Press >5 seconds to enter pairing mode.
3. **Battery Cover** - Unscrew the battery cover and slide down to open the HXD1 battery compartment.
4. **Battery Holder** - Open the battery holder by pressing the tab and lifting the cover. Insert two standard AA (LR6) batteries here, being sure to observe the plus and minus polarity markings shown. Although rechargeable Ni-Cad batteries can be used, they do not supply adequate current for more than four hours.
WARNING: Do not insert the batteries backwards; doing so can cause severe damage to the HXD1 and will void your warranty.
5. **Input GAIN Control** - This control adjusts the transmitter input sensitivity. This input sensitivity control has been factory preset to provide optimum level for the particular microphone capsule provided with the Stage XPD1 system and so we recommend that this not be adjusted manually. If necessary, however, you can use the supplied plastic screwdriver to raise or lower the input level.
6. **USB Connector** - Plugs into the USB jack on the rear panel of a wirelessly enabled Samson audio device. The receiver can also plug directly into a computer USB port and will be recognized as a USB audio device. The unit passes audio to the device and receives power from the device through this connector.
7. **PAIR Switch** - Press >5 seconds to enter pairing mode.
8. **STATUS Indicator** - This LED displays the operation mode:

Amber	Normal Operation
Flashing Amber	Pairing
No Light	Not Paired; Transmitter Out Of Range; No Power

Quick Start

1. Plug the RXD1 USB receiver into a USB jack on a wirelessly enable Samson audio device or to a USB port on a computer.
Note: When using the Stage XPD1 wireless system with a computer, you must set the computer's audio input device to "**Samson RXD Wireless Receiver**". In most computer operating systems, an audio software must be used to record or monitor the audio from the USB receiver.
2. On the wireless handheld transmitter, unscrew the bottom section of the microphone by turning it counterclockwise and then slide it off. Place a fresh set of AA (LR6) batteries in the transmitter battery holder, taking care to observe the polarity markings, then replace the cover.
3. Turn the wireless level knob on the audio device completely counterclockwise to 0, then turn the power of the audio device to the ON position.
4. Turn on the power to the transmitter by pressing and holding Power switch; the indicator LED will light amber.
5. If the handheld transmitter and receiver have not been previously paired, press and hold the button on the RXD1 receiver for >5 seconds, until it begins to flash. Press and continue to hold the Power button on the handheld transmitter until the LED indicators on both units light steady, indicating that the receiver and transmitter are paired and ready for operation.
6. Speak or sing into the microphone at a normal performance level and raise the wireless level control until the desired level is reached.
7. If you hear distortion turn down the wireless level on the audio device. If distortion is still audible, unscrew the microphone body and use the supplied plastic screwdriver to turn the Gain control in the HXD1 transmitter slowly counterclockwise until the distortion disappears.
8. Conversely, if you hear a weak, noisy signal at the desired volume level and with the wireless level control of the audio device is set to maximum, use the supplied plastic screwdriver to turn the Gain control in the HXD1 transmitter slowly clockwise until the signal reaches an acceptable level.