

Harman/Kardon HK395 User's Guide

[Safety Instruction](#)

[Introduction](#)

[Setup](#)

[Using the Speaker System](#)

[Troubleshooting](#)

[Specifications](#)

[Regulatory](#)

Information in this document is subject to change without notice.


© 2001 the Samsung Electro-Mechanics Corporation. All rights reserved.


Trademarks used in this text: *Dell* and the *DELL* logo are trademarks of Dell Computer Corporation; *Samsung* and *Samsung Electro-Mechanics* Logo are trademarks of the Samsung Electro-Mechanics Corporation.

Other trademarks and trade names may be used in this document to refer to either the entities claiming the marks and names or their products. Samsung Electro-Mechanics Corporation disclaims any proprietary interest in trademarks and trade names other than its own.

Initial release: 06 Mar 2001

Safety Instruction : Harman/Kardon HK395 User's Guide

 **CAUTION:** To prevent electric shock, do not use this (polarized) plug with an extension cord receptacle or other outlet unless the blades can be fully inserted to prevent blade exposure.

 **WARNING:** To reduce the risk of fire or Electric Shock, do not expose this appliance to rain or moisture.

FCC Information

This equipment has been tested and found to comply with the limits for a Class B digital device, pursuant to part 15 of the FCC Rules. These limits are designed to provide reasonable protection against harmful interference in a residential installation. This equipment generates, uses, and can radiate radio frequency energy, and, if not installed and used in accordance with the instructions, may cause harmful interference to radio communications. However, there is no guarantee that interference will not occur in a particular installation. If this equipment does cause harmful interference to radio or television reception, which can be determined by turning off and on, the user is encouraged to try to correct the interference by one or more of the following measures:

- Reorient or relocate the receiving antenna.
- Increase the separation between the equipment and receiver.
- Connect the equipment into an outlet on a circuit different from that to which the receiver is connected.
- Consult your dealer or an experienced radio / TV technician for help.

For your protection, please read the following instruction and retain this manual for future reference. Carefully observe and comply with all warnings, precautions and instructions on the speaker system and described within this instruction manual.

Read Instructions : All the safety and operating instructions should be read before the appliance is operated.

Retain Instructions : The operating instructions should be retained for future reference.

Heed Warnings : All warnings on the appliance and in the operating instructions should be adhered to.

Follow Instructions : All operating and use instructions should be followed.

Water and Moisture : Do not use your system near water—for example, near a bathtub, washbowl, kitchen sink, or laundry tub, in a wet basement, or near a swimming pool, etc.

Cleaning : Unplug your system from wall outlet before cleaning. Do not use liquid or aerosol cleaners. Use a damp (not wet) cloth for cleaning.

Ventilation : The appliance should be situated so that its location or position does not interfere with its proper ventilation. For example, the appliance should not be situated on a bed, sofa, rug, or similar surface that may block the ventilation openings; or placed in a built-in installation, such as a closed bookcase or cabinet that may impede the flow of air through the ventilation openings.

Heat : Your system should be situated away from heat sources such as radiators, heat registers, stoves or other products(including amplifiers).

Power Sources : Your system should be operated only from the type of power sources indicated in the user's manual for this system.

Power Cord Protection : Power supply cords should be routed so that they are not likely to be walked upon or pinched by items placed upon or against them. Pay particular attention to cords at plugs, convenience receptacles, and the point where they exit from the system.

Grounding or Polarization : The precautions that should be taken so that the grounding or polarization means of an appliance is not defeated.

Accessories : Do not place your system on an unstable card table, stand, tripod, bracket or table.

Attachments : Do not use attachments not recommended by the manufacturer, as they may cause hazards.

Lightning and Periods of Non-Use : For added protection of your system during a lightning storm, or when it is left unattended and unused for long periods of time, unplug your system from the wall outlet.

Repairs & Servicing : Except for adjustments explained in the operating manual, do not attempt any repairs yourself. Request the service of a qualified technician or authorized service center.

FCC

This device complies with part 15 of the FCC Rules. Operation is subject to the following two conditions: (1) This device may not cause harmful interference, and (2) this device must accept any interference received, including interference that may cause undesired operation.

Caution : Any changes or modifications in construction of this device which are not expressly approved by the party responsible for compliance could void the user's authority to operate the equipment

Note : This equipment has been tested and found to comply with the limits for a Class B digital device, pursuant to part 15 of the FCC Rules. These limits are designed to provide reasonable protection against harmful interference in a residential installation. This equipment generates, uses and can radiate radio frequency energy and, if not installed and used in accordance with the instructions, may cause harmful interference to radio communications. However, there is no guarantee that interference will not occur in a particular installation. If this equipment does cause harmful interference to radio or television reception, which can be determined by turning the equipment off and on, the user is encouraged to try to correct the interference by one or more of the following measures:

- Reorient or relocate the receiving antenna.
- Increase the separation between the equipment and receiver.
- Connect the equipment into an outlet on a circuit different from that to which the receiver is connected.
- Consult the dealer or an experienced radio/TV technician for help.

Introduction: Harman/Kardon HK395 User's Guide

Figure 1-1



Dynamic 3-piece(2.1) system with subwoofer and satellite

- On/off switch and master volume conveniently located on right satellite
- Separate Treble and Subwoofer volume control on Subwoofer
- Wooden subwoofer enclosure

- Tuned bass port on subwoofer for improved low frequency performance
- All components magnetically shielded to protect against image distortion on a computer monitor

The model HK395 speaker is composed of a Subwoofer and separate satellite speakers, engineered to deliver an increased bass response with precise high frequency reproduction.

Unique features found on this speaker system include magnetic shielding, master volume control, Subwoofer volume control, treble control, and tuned bass port enclosure

Setup: Harman/Kardon HK395 User's Guide

[Connecting the Speaker System](#) • [Placement of Speakers](#)



Note that the plugs are color coded for easy reference.

Your HK395 speaker system can be connected to a variety of sound devices. These include portable CD player, game machines, PC-based stereo music systems, or any other devices with a compatible sound output port. This chapter shows you how to connect your speaker system to some of these devices through the following sections:

Connecting the Speaker System

Connecting to a Sound Card

To connect your speakers to a sound card, please refer to Figure 1-2 and follow these steps:

1. Locate the sound output port on the card and plug the stereo cable into it. Then insert the other end into the HK395 Subwoofer "STEREO INPUT".
2. Plug the left speaker cable into the left satellite speaker "LEFT INPUT".
3. Plug the right speaker cable into the Subwoofer "SATELLITE OUTPUT".
4. Connect the power cord on the back of the Subwoofer to a standard AC outlet or approved power strip.

Figure 1-2

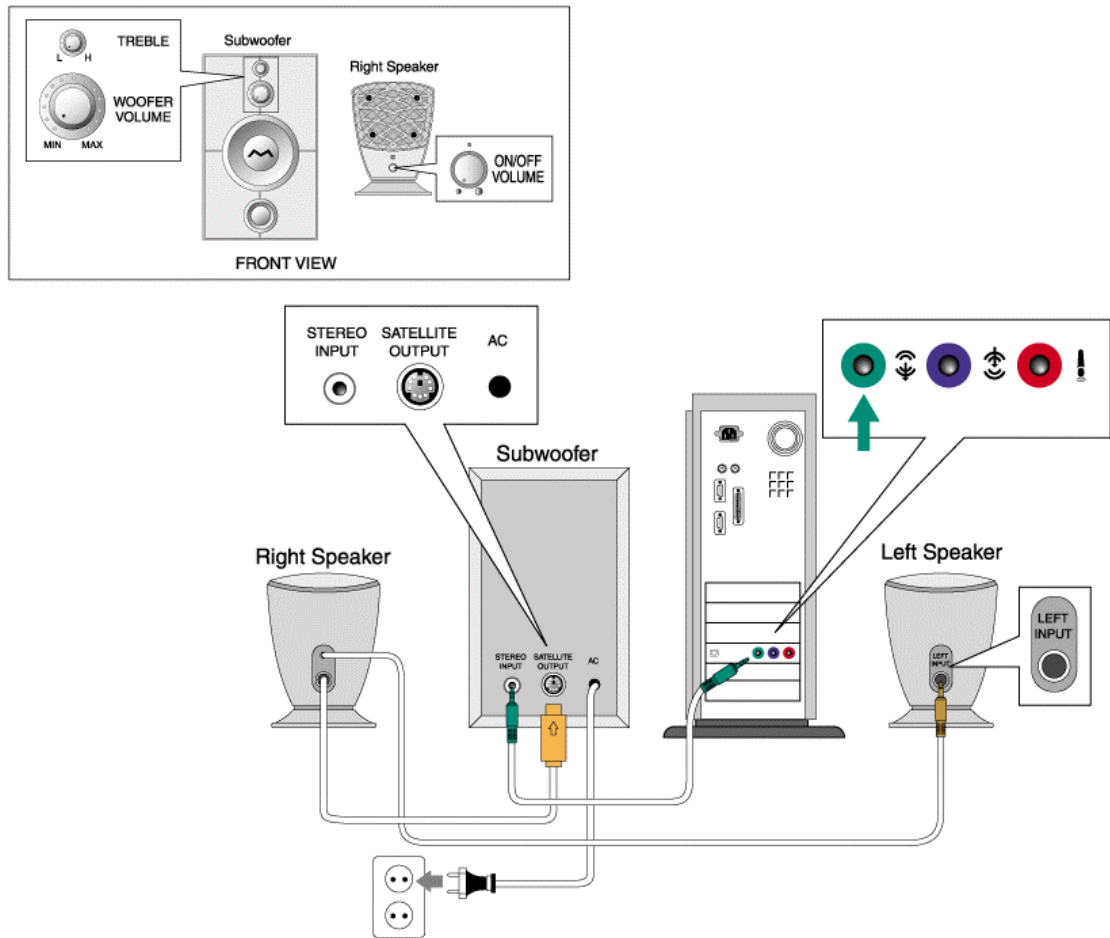
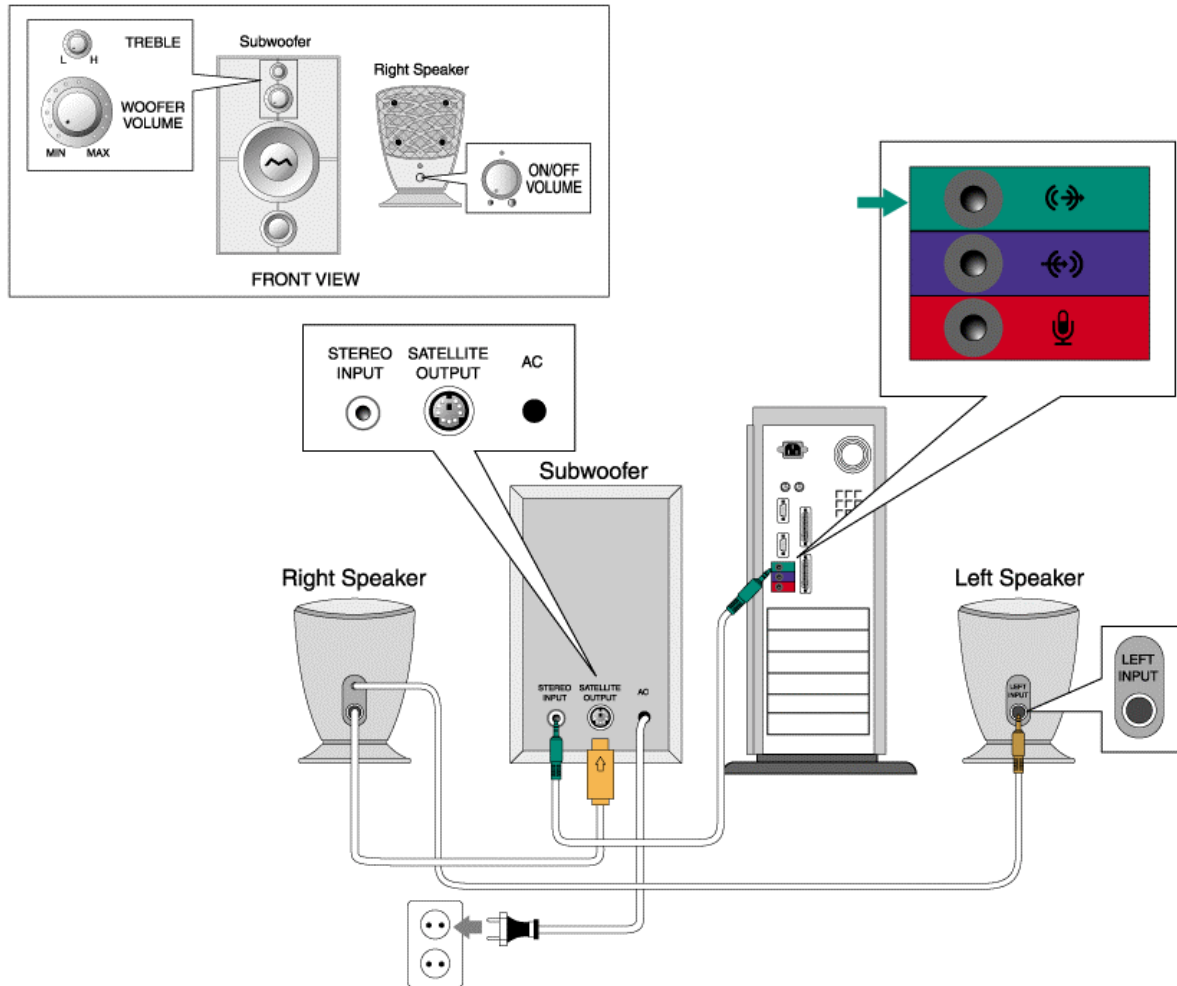


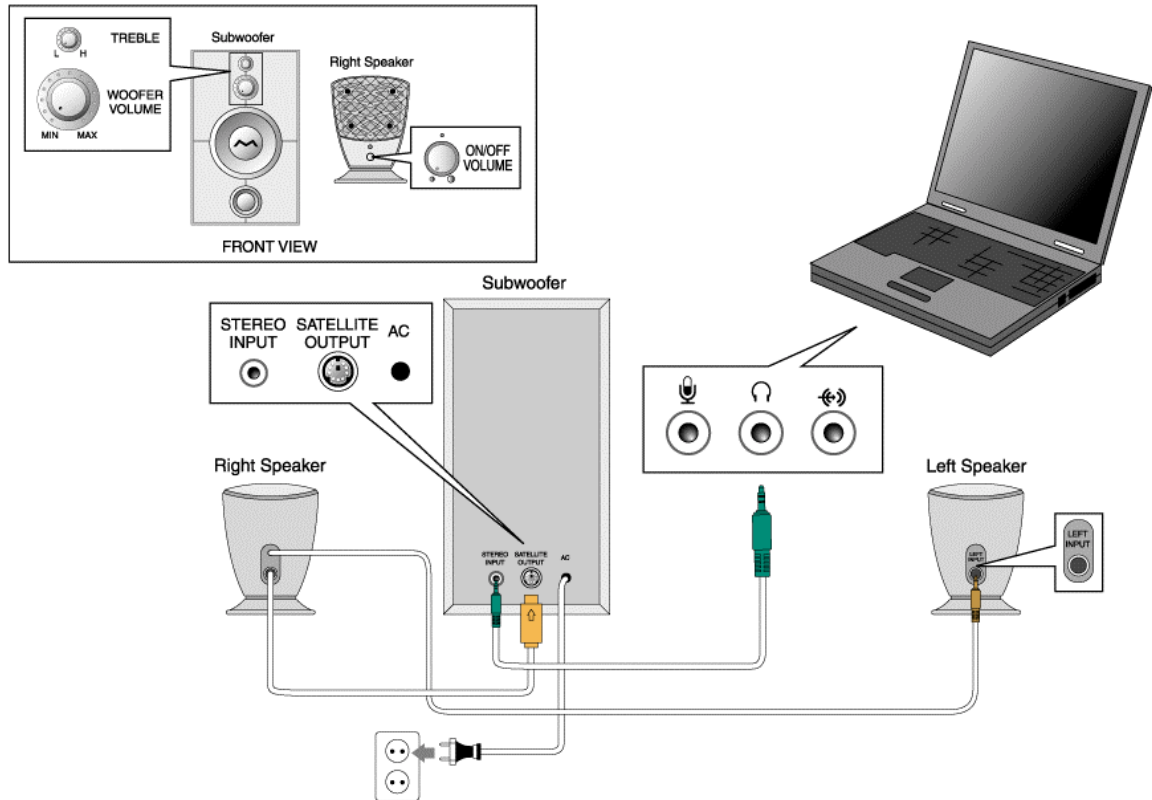
Figure 1-3



Connecting to Laptop

To connect your speakers to laptop, please refer to Figure1-4 and the steps are the same as above Connection.

Figure 1-4

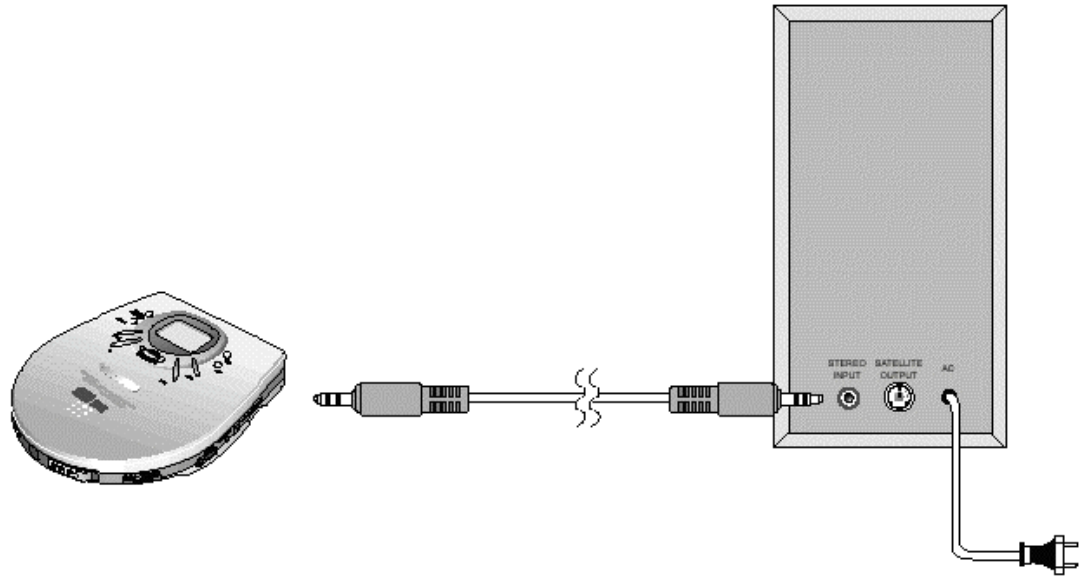


Connecting to Other Devices

When linking up other sound devices, you can follow the steps outlined in section 1.

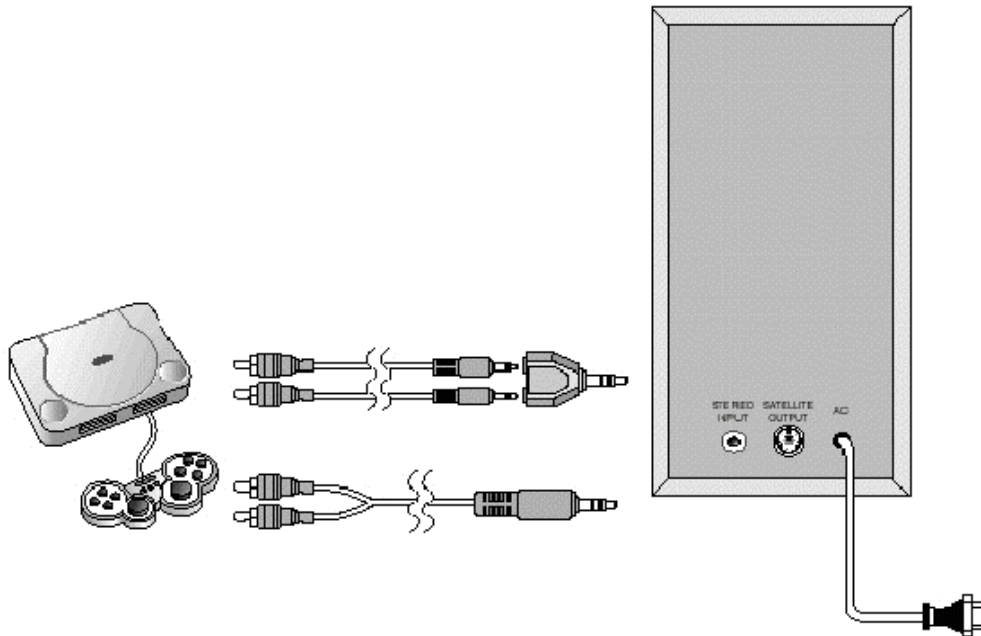
Figures 1-5 and 1-6 show how your speaker system may be connected to sound devices other than PCs. However these applications may require the use of different cable adapters for interfacing to this equipment. These adapters are not provided with your speaker system but may be purchased at your local electronics parts retailer, e.g. Radio Shack.

Figure 1-5



 The satellite connections were omitted for clarity.

Figure 1-6



 The satellite connections were omitted for clarity.

Placement of Speakers

Recommended Satellite Placement

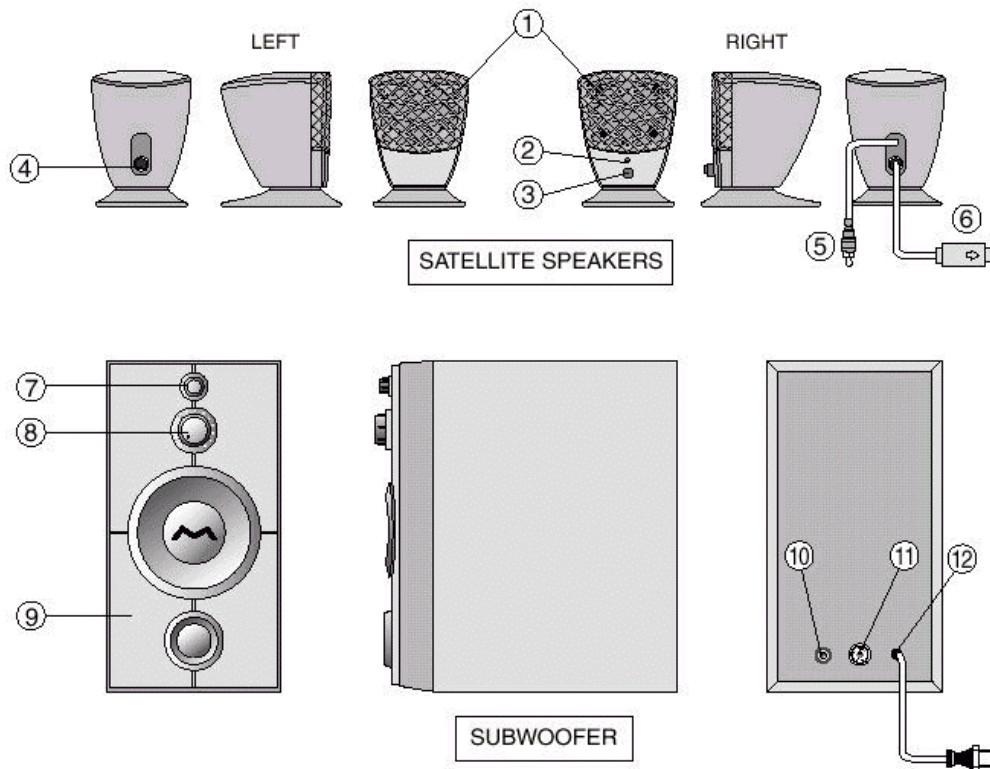
- Place the satellite speakers on either side of your video monitor, about 24" to 30" apart, and aim them in towards the computer user.

Recommended Subwoofer Placement

- For the best bass performance, place the Subwoofer enclosure on the floor under your desk near a wall or corner of the room.
 - Since the HK395 Subwoofer is magnetally shielded, it may be placed on the desktop adjacent to the computer monitor for convenient access to the controls.
-

Using the Speaker System: Harman/Kardon

HK395 User's Guide



1. **FULL RANGE SPEAKER** : The satellite speakers are full range and will reproduce almost the entire audio frequency band except the very low frequencies applied to the Subwoofer.
2. **POWER LED** : The green LED will be illuminated when speaker system is turned on via right Master volume control on the right satellite.
3. **VOLUME CONTROL/POWER SWITCH** : This is the Master volume control and the ON/OFF power switch. When the POWER LED is illuminated, the Rotating the control clockwise increases the playback volume.
4. **LEFT INPUT** : This is the input to the left satellite speaker. It connects to the right satellite speaker through the left speaker cable attached at the right

speaker.

5. **LEFT SPEAKER CABLE** : This is the hard-wired connection from the right speaker to the left satellite speaker. See [Figure 1-2](#), [1-3](#), [1-4](#).
6. **RIGHT SPEAKER CABLE** : Carries power and left and right signal information from the Subwoofer to the right speaker. The DIN connector mates with the receptacle in the Subwoofer. The arrow on the over-mold of the DIN connector must be up. See [Figure 1-2](#), [1-3](#), [1-4](#).
7. **TREBLE** : Turning the control clockwise will boost the high frequencies in the audio signal resulting in a brighter sound.
8. **SUBWOOFER VOLUME(a.k.a WOOFER VOLUME)** : Turning the control clockwise will increase the volume or level of the bass notes coming from the Subwoofer, relative to the satellite speakers. (Note: The Master volume affects both the Subwoofer and the satellites.)
9. **SUBWOOFER** : Reproduces the very low frequencies in a music track.
10. **STEREO INPUT** : This is the stereo audio input for the speaker system. Use the stereo input cable provided to connect the speaker system to your computer system or sound card. See [Figures 1-2](#), [1-3](#), [1-4](#), [1-5](#) and [1-6](#).
11. **SATELLITE OUTPUT** : This is where you connect the right satellite speaker to the Subwoofer.
12. **POWER CABLE** : Connect the plug to your standard ac electrical power outlet.
13. **STEREO INPUT CABLE (Accessory)** : Use the stereo input cable provided to connect the speaker system to your computer system or sound card. See [Figures 1-2](#), [1-3](#), [1-4](#), [1-5](#) and [1-6](#).

Troubleshooting : Harman/Kardon HK395 User's Guide

Symptoms	Possible Problem	Solution
No Sound From Speakers	No power to unit	<ul style="list-style-type: none"> • Make sure all connections on the rear of Subwoofer are properly inserted in their connectors. • Check to see if LED illuminates on the front of right satellite speaker. If it is not illuminated, check the power connections. • Make sure Subwoofer and satellite are turned on.
	Volume level on sound card or other audio source may be too low.	<ul style="list-style-type: none"> • Check volume level of sound card or audio source and raise as necessary.
	No sound from Subwoofer	<ul style="list-style-type: none"> • Make sure input connection is inserted completely.
	No sound from left speaker	<ul style="list-style-type: none"> • Make sure the Left Speaker Cable is fully inserted into the LEFT INPUT jack on the left speaker.
Subwoofer Emits Very Loud Humming / Buzzing Noise	Signal cable is not completely inserted into signal jack on Subwoofer or satellites.	<ul style="list-style-type: none"> • Make sure signal cables are inserted snugly into signal jacks. If need be, turn cable slightly when inserting to ensure complete contact.

Distorted Sound (Static, Crackling, Hissing)	Noise may be caused by interference from monitor.	<ul style="list-style-type: none"> • Turn monitor off to see if noise is eliminated. Move speaker cables farther away from monitor.
	Speaker is being overdriven by an amplified audio source.	<ul style="list-style-type: none"> • Ensure that the speaker system is connected to line-level output. • Check color-coding on connectors when making connections. • Make sure that all signal cables are inserted snugly into receptacles.
	Sound card or audio source material may cause a problem.	<ul style="list-style-type: none"> • Check speakers with another audio source, such as a portable CD player.
	Volume level on sound card or other audio source may be too high.	<ul style="list-style-type: none"> • Check volume level of sound card or audio source and lower as necessary.

Specifications: Harman/Kardon HK395 User's Guide

[System Specifications](#) • [Subwoofer Specifications](#) • [Satellite Specifications](#)

System Specifications

1. Model : HK395
 2. Manufacturer : Samsung Electro-Mechanics Company, Ltd.
 3. Speakers: 3 total (2 satellites and 1 Subwoofer)
 4. Total Power : 30 Watts @ 10% (THD+ N)
 5. Input Sensitivity : 400 mV rms
 6. S/N Ratio : > 80 dBA
 7. Frequency Response : 45 Hz to 20 kHz
 8. Power Requirements :
 - o USA and Canada : 120 VAC @ 60 Hz (40 watts)
 - o Europe/United kingdom and various Asian Country : 230 VAC @ 50 Hz (40 watts)
 - o Australia/New Zealand : 240 VAC @ 50 Hz (40 watts)
 - o Fuse type : 4 A fast blow
-

Subwoofer Specifications

1. Enclosure : Tuned port
2. Transducer : 5 inch Subwoofer with rubber surround
3. Power : 18 Watts @ 10% (THD+ N)
4. Frequency Response : 45 Hz to 250 Hz
5. Weight : 4,62 kg (2.1 lbs)
6. Dimensions : 160 mm (W) x 270 mm (D) x 310 mm (H) / 6.3 inch (W) x 10.6 inch (D) x 12.2 inch (H)

Satellites Specifications

1. Enclosure : Sealed
2. Transducer : 2 inch full range speakers
3. Power : 6 Watts/satellite @ 10% (THD+ N) (12 Watts total)
4. Frequency Response : 250 Hz to 20 kHz
5. Weight : 750 grams
6. Dimensions : 86 mm (W) x 111.5 mm (D) x 124 mm (H) / 3.4 inch (W) x 4.2 inch (D) x 4.9 inch (H)