

Congratulations!

...on your purchase of the Go-Video Dual-Deck VCR.

Record the model number and serial number from the back of your VCR here. Attach your sales receipt and/or a copy of your charge slip for reference.

Model Number: _____

Serial Number: _____

Purchase Date: _____

Note: *It is important that you register your Dual-Deck VCR with Go-Video, Inc. To register your Dual-Deck VCR, complete the warranty registration card and mail it in.*

WARNING:

To reduce the risk of fire or electric shock, do not expose this appliance to rain or moisture. Do not open the cabinet; dangerous high voltage is present. Refer servicing to qualified personnel only. This video cassette recorder should only be used with 120V, 60Hz (standard U.S. household) current.

Federal law provides severe civil and criminal penalties for the unauthorized reproduction, distribution, or exhibition of copyrighted motion pictures and video-tapes. (Title 17, United States Code, Sections 501 and 506).

USER/INSTALLER CAUTION:

Your authority to operate this FCC certified equipment could be voided if you make changes or modifications not expressly approved by the manufacturer, who is responsible for compliance with Part 15 FCC rules.

NOTE TO CATV SYSTEM INSTALLER:

This reminder is provided to call the CATV system installer's attention to Article 820-40 of the National Electronic Code that provides guidelines for proper grounding and, in particular, specifies that the cable ground shall be connected to the grounding system of the building, as close to the point of cable entry as practical.

CAUTION:

To prevent fire, shock hazard, or annoying interference, use only the recommended accessories.

To prevent electric shock, do not use this (polarized) plug with an extension cord, receptacle, or other outlet unless the blades can be fully inserted to prevent blade exposure.

To reduce the risk of electric shock, do not remove the unit cover or back. There are no serviceable parts inside. Refer servicing to qualified personnel only.

CUIDADO:

Para prevenir incendio, riesgo de choque, o interferencia enfadosa, use solamente los accesorios recomendados.

Para prevenir electrochoque, no use este enchufe (polarizado) con un cordón de extensión, toma de corriente, o cualquier otra toma a menos que los dientes puedan ser completamente insertados para prevenir exposición de los dientes.

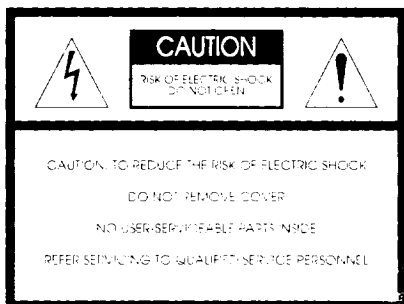
Para reducir el riesgo de descarga eléctrica, no remueva la cubierta o la parte posterior del VCR. Dentro del VCR no hay partes que requieren servicio. Dirijase solamente a personal calificado cuando requiera servicio.

ATTENTION:

Pour éviter les incendis, risque de chocs, ou interférences fâcheuses, employer seulement les accessoires recommandés.

Pour éviter les chocs électriques, ne pas employer cette prise (polarisée) avec une rallonge, une prise de courant ou une autre sortie de courant à moins que les lames peuvent être insérées à fond pour l'exposition des lames.

Pour réduire les risques de chocs électriques, ne pas retirer le couvercle ou l'arrière du module. Il n'y a pas de pièce utilisable à l'intérieur. Ne faire effectuer l'entretien que par un personnel qualifié.



This symbol is intended to alert the user to the presence of uninsulated dangerous voltage within the product's enclosure that may be of sufficient magnitude to constitute risk of fire or electric shock.



This symbol is intended to alert the user to the presence of important operating and maintenance instructions in the literature accompanying this product.

Safety

Instructions

1. **READ INSTRUCTIONS** - All the safety and operating instructions should be read before the unit is operated.
2. **RETAIN INSTRUCTIONS** - The safety and operating instructions should be retained for future reference.
3. **HEED WARNINGS** - All warnings on the unit and in the operating instructions should be adhered to.
4. **FOLLOW INSTRUCTIONS** - All operating and maintenance instructions should be followed.
5. **CLEANING** - Unplug this video unit from the wall outlet before cleaning. Do not use liquid or aerosol cleaners. Use a dry cloth for dusting cabinet.
6. **ATTACHMENTS** - Do not use attachments not recommended by the video product manufacturer, as they may be hazardous.
7. **WATER & MOISTURE** - Do not use this video unit near water—for example, near a bathtub, wash bowl, kitchen sink, laundry tub, in a wet basement, near a swimming pool or the like.
8. **ACCESSORIES** - Do not place this video unit on an unstable cart, stand, tripod, bracket or table. The video unit may fall, causing serious injury to a child or adult, and serious damage to the unit. Use only with a cart, stand, tripod, bracket or table recommended by the manufacturer or sold with the video unit. Any mounting of the unit should follow the manufacturer's instructions and should use a mounting accessory recommended by the manufacturer.
- 8a. An appliance and cart combination should be moved with care. Quick stops, excessive force, and uneven surfaces may cause the appliance and cart combination to overturn.
9. **VENTILATION** - Slots and openings in the cabinet are provided for ventilation to ensure reliable operation of the video unit and to protect it from overheating. These openings must not be blocked or covered. Never place your VCR on a bed, sofa, rug or other similar surface, on or near a radiator or heat register. This video unit should not be placed in a built-in installation such as a bookcase or rack unless proper ventilation is provided or the manufacturer's instructions have been adhered to.
10. **POWER SOURCES** - This video unit should be operated only from the type of power source indicated on the marking label. If you are not sure of the type of power supply to your home consult your appliance dealer or local power company. For video units intended to be operated from battery power, or other sources, refer to the operating instructions.
11. **GROUNDING OR POLARIZATION** - This video unit may be equipped with either a polarized 2-wire AC line plug (a plug having one blade wider than the other) or a 3-wire grounding plug having a third (grounding) pin.

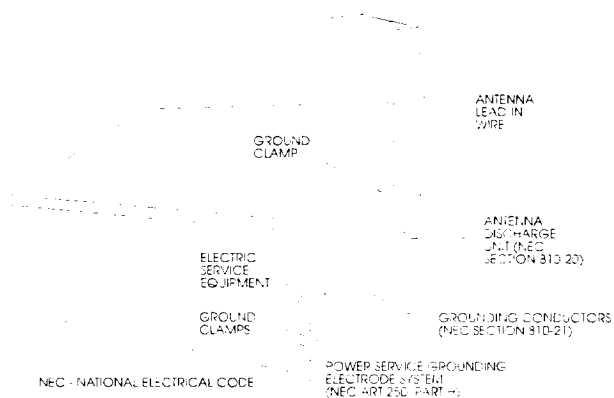
The 2-wire polarized plug will fit into the power outlet only one way. This is a safety feature. If you are unable to insert the plug fully into the outlet try reversing the plug. If the plug still fails to fit contact your electrician to replace your obsolete outlet. Do not defeat the safety purpose of the polarized plug.

PORTABLE CART WARNING

(Symbol provided by RETAC)



12. **POWER-CORD PROTECTION** - Power-supply cords should be routed so that they are not likely to be walked on or pinched by items placed upon or against them, paying particular attention to cords of plugs, convenience receptacles, and the point where they exit from the unit.
13. **OUTDOOR ANTENNA GROUNDING** - If an outside antenna or cable system is connected to the video unit, be sure the antenna or cable system is grounded to provide some protection against voltage surges and built-up static charges. Section 810 of the National Electrical Code, ANSI/NFPA No. 70-1984, provides information with respect to proper grounding of the mast and supporting structure, grounding of the lead-in wire to an antenna discharge unit, size of grounding conductors, location of antenna-discharge unit, connection to grounding electrodes, and requirements for the grounding electrode. See figure below.
14. **LIGHTNING** - For added protection of this video



unit during a lightning storm, or when it is left unattended and unused for long periods of time, unplug it from the wall outlet and disconnect the antenna or cable system. This will prevent damage to the video unit due to lightning and power line surges.

15. **POWER LINES** - An outside antenna system should not be located in the vicinity of overhead power lines or other electric light or power circuits, where it can fall into such power lines or circuits. When installing an outside antenna system extreme care should be taken to keep from touching such power lines or circuits as contact with them might be fatal.
16. **OVERLOADING** - Do not overload wall outlets and extension cords as this can result in the risk of fire or electric shock.

17. **OBJECTS AND LIQUIDS** - Never push objects of any kind into this video unit through openings as they may touch dangerous voltage points or short out parts that could result in a fire or electric shock. Never spill liquids of any kind onto the unit. Should spillage occur, unplug unit and have it checked by a technician before use.
18. **SERVICING** - Do not attempt to service this video unit yourself as opening or removing covers may expose you to a dangerous voltage or other hazards. Refer all servicing to qualified service personnel.
19. **DAMAGE REQUIRING SERVICE** - Unplug this video unit from the wall outlet and refer servicing to qualified service personnel under the following conditions:
 - a. When the power supply cord or plug is damaged.
 - b. If any liquid has been spilled onto or objects have fallen into the video unit.
 - c. If the video unit has been exposed to rain or water.
 - d. If the video unit does not operate normally by following the operating instructions. Adjust only those controls that are covered by the operating instructions. Improper adjustment of other controls may result in damage and will often require extensive work by a qualified technician to restore the video unit to its normal operation.
 - e. If the video unit has been dropped or the cabinet has been damaged.
 - f. When the video unit exhibits a distinct change in performance—this indicates a need for service.
20. **REPLACEMENT PARTS** - When replacement parts are required, be sure the service technician has used replacement parts specified by the manufacturer or those having the same characteristics as the original part. Unauthorized substitutions may result in fire, electric shock or other hazards.
21. **SAFETY CHECK** - Upon completion of any service or repairs to this video unit ask the service technician to perform safety checks to determine that the video unit is in safe operating order.
22. **HEAT** - This video unit should be situated away from heat sources such as radiators, stoves, or other products (including amplifiers) that produce heat.

Discover the Dual-Deck™ Difference

Welcome to the Go-Video family! It is our pleasure to congratulate you as a new owner of the Dual-Deck VCR, quite possibly the most versatile VCR ever made. No other VCR allows you to:

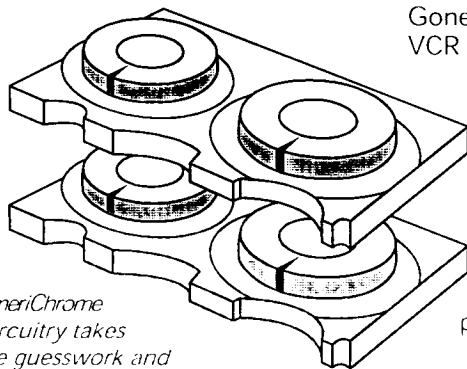
- Copy a tape at the touch of a button
- Watch a tape while recording a favorite program
- Record from two sources simultaneously
- Play or record two tapes consecutively or in a continuous loop.

The Dual-Deck VCR does all these things and *much more!*

Make Picture Perfect Copies at the Touch of a Button

Gone are the days of tangled clumsy cables between two VCR decks. Gone is the loss of picture quality from intervening cables that degrade the signal. Gone is the flutter, roll and flashing from bad copies.

Go-Video provides you with a simple solution to quality copies of virtually any video source. Both decks communicate with one another by means of a behind-the-scenes marvel known as AmeriChrome™ circuitry. As the video signal is processed, the recording heads on both decks are synchronized resulting in picture-perfect copies every time.



*AmeriChrome
Circuitry takes
the guesswork and
hassle out of copying videos.*

Two Decks, One Set of Controls

With one remote control for both decks, operating your Dual-Deck VCR couldn't be easier. Just press the Deck Select button to switch control back and forth between decks. What's more, you can program your multi-brand remote control to operate almost any television (see p.51).

Dual-Deck Features

The following are just a few of the many features you will enjoy with your Dual-Deck VCR:

- Quality Copies of Any Video at the Touch of a Button
- Hi-Fi Stereo Copies and Playback
- Eight-Scene Automatic Editing
- MTS Stereo Tuner
- Four Video Heads on Both Decks for High Quality Special Effects
- Multi-Brand Remote Control Operates Dual-Deck and Most TVs
- Patented AmeriChrome Circuitry
- Automatic Power Off when Rewinding, Timer Recording, One-Touch Recording, Copying Tapes, and using EZ-Copy
- Automatic Display Dimmer, Play, Power On, Power Off, Rewind, Stop, Memory and Remote Eject
- TV View Button for Easy Switching among Deck 1, Deck 2, Tuner and Accessories
- Date and Time Stamp for 5 Seconds at the Beginning of Any Recording
- Convenient Front A/V Jacks
- Complete Program Record to Ensure You Never Miss the End of a Timer Recording
- Automatic Show Finder to Locate Your Recordings Quickly and Easily
- Real Time Counter in Hours, Minutes and Seconds
- On-Screen Programming in Two Languages (English & French)

Basic Connections

Unpack Your Dual-Deck VCR	2
Insert Remote Batteries	2
Antenna/Basic Cable Hookup	4

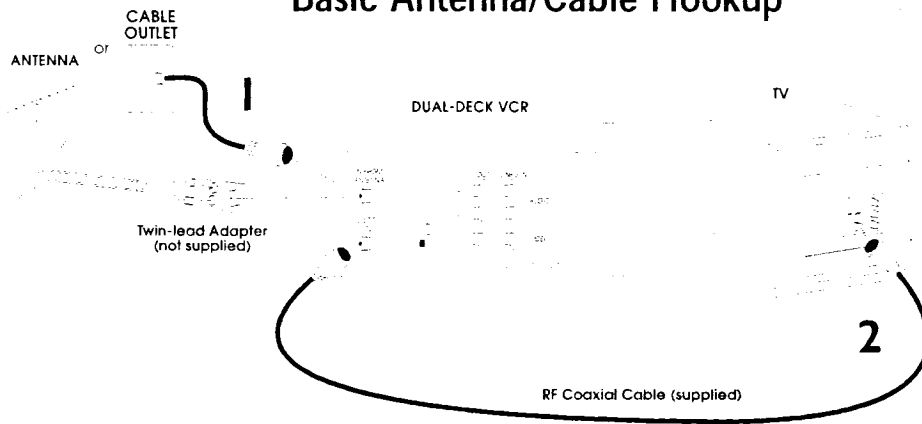
This chapter will walk you through the necessary steps to hook up your VCR. Your Dual-Deck VCR connects to your TV and antenna in exactly the same way as any other VCR. If you already own a VCR, take a few minutes to note how it is hooked up. Then simply swap the Dual-Deck with your old VCR using the same settings and connections.

Choosing the Right Hookup

Choose the appropriate hookup from the following list:

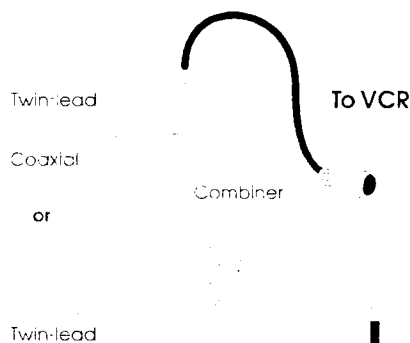
- 1 If you are connecting your Dual-Deck VCR to a basic antenna or cable system, use the **Basic Antenna/Cable Hookup** on page 8.
- 2 If you have a cable system with a converter box (some or all channels are scrambled or premium), you have two choices:
 - a. **Cable Converter Box Hookup** - *Pro:* You can watch and record any cable channel to which you subscribe. *Con:* You cannot watch a second channel while you are recording a cable channel. See page 39.
 - b. **Alternative Cable Converter Box Hookup** - *Pro:* You can watch a second channel while you are recording a TV program. *Con:* You can only record non-scrambled channels. See page 40.
- 3 If you wish to listen to your TV and VCR through your stereo system, see **Audio Connections** on page 42.
- 4 If you have a TV with audio/video input jacks and desire better quality, you can connect your VCR to your TV with RCA cables. See **Monitor Connections** on page 43.
- 5 If you wish to connect your Dual-Deck VCR to another VCR, laser disc player, DVD player, video camera, camcorder, satellite receiver or video game, see **Connecting Other Video Equipment** on page 44.

Basic Antenna/Cable Hookup



- 1** **Connect the Antenna/Cable to the VCR** - Disconnect the antenna or cable from your TV and connect it to the IN FROM ANTENNA jack on the back of your VCR. If your antenna cable is twin-lead, you will need to purchase an adapter, available at your local electronics store.
- 2** **Connect the VCR to Your TV** - Attach the supplied RF Coaxial Cable from the OUT TO TV connection on the back of the VCR to the VHF IN or CABLE IN connection on the back of your TV.
- 3** **Set the channel** on the back of your VCR to 3 or 4 (whichever is not being used by a local TV broadcast).
- 4** **Turn on the power** for your VCR and your TV.
- 5** **Tune your TV** to channel 3 or 4 (whichever you set as the output channel in step 3).
- 6** **Connection is complete!** Turn to Chapter 2 to familiarize yourself with the location of your Dual-Deck controls, or turn to Chapter 3 for Initial Settings.

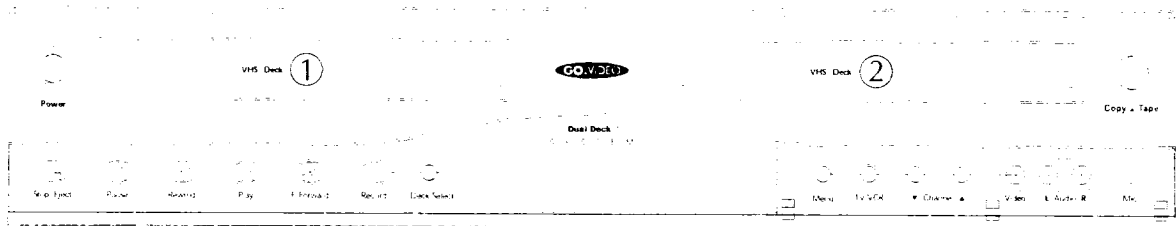
If you have separate VHF and UHF antennas you will need to purchase a combiner, available at your local electronics store.



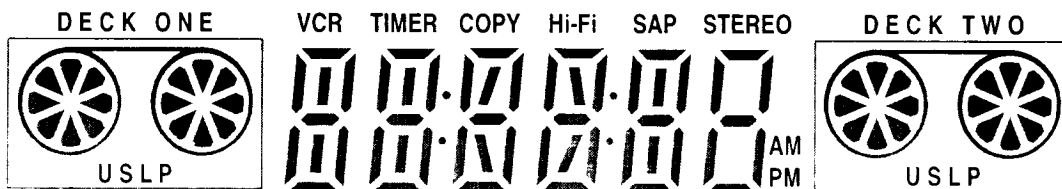
If your TV has separate video and audio input connections, you will achieve best results (including MTS Stereo and Hi-Fi playback) by using the Monitor Connections hookup on page 43.



Front Panel Buttons and Indicators



Front Panel Display

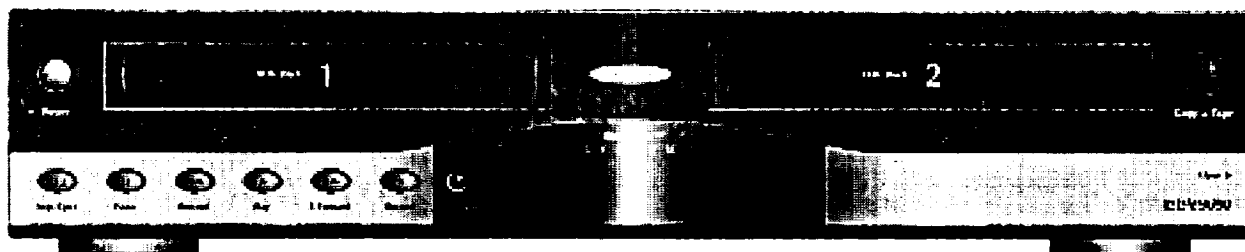


Technical Specifications

VIDEO SYSTEM		1/2-inch VHS system, 4 rotary head helical scanning; FM azimuth luminance; chrominance: converted sub system phase shift
TELEVISION SYSTEM		NTSC-type color signal EIA standard (525 lines, 60 fields)
AUDIO TRACK		Normal: 1 track; Hi-Fi: 2 track
TAPE WIDTH		12.7 mm, 1/2 inch
TAPE SPEED		SP: 33.35 mm/s; SLP: 11.12 mm/s
PLAY/RECORD TIME		T-180 tape: SP 3 hours, SLP 9 hours
FF/REW TIME		T-120 tape: 2 minutes 45 seconds
HEADS	<i>Video:</i>	DA 4 rotary heads
	<i>Audio:</i>	2 rotary heads (Hi-Fi); 1 stationary head (Linear)
	<i>Control:</i>	1 stationary head
	<i>Erase:</i>	1 full track, 1 audio track
VIDEO	<i>Input:</i>	FROM ANTENNA ("F"-type) 75 ohms unbalanced, 1 V _{rms}
	<i>Output:</i>	TO TV ("F"-type) 75 ohms unbalanced, 1 V _{p-p}
	<i>Horiz Res:</i>	Monochrome, more than 230 lines
	<i>S/N Ratio:</i>	Better than 43 dB
AUDIO	<i>Input:</i>	AUDIO IN (RCA) -8 dbm, 47K ohms
	<i>Output:</i>	AUDIO OUT (RCA) -8 dbm, 1.5K ohm
	<i>TV Tuner:</i>	181-channel frequency synthesized. VHF 2-13; UHF 14-69 (VHF & UHF one input); CATV 2-13; 14-22 (A-1); 23-36 (J-W); 37-64 (W+1 to W+28); 65-94 and 100-125 (W+29 to W+84); 98-99 (A-2, A-1); 95-97 (A-5, A-4, A-3); 01 (A-8). 75 ohm unbalanced. Auto Search + AFT.
	<i>S/N Ratio:</i>	Better than 68 dB (Hi-Fi)
WOW & FLUTTER		Less than 0.005% (Hi-Fi)
RF MODULATION		VHF (selectable, channel 3 or 4)
FREQUENCY RESPONSE		20-20,000 Hz (Hi-Fi)
POWER REQUIREMENT		120V AC, 50 Hz, 25 watts maximum
CLOCK BACKUP TIME		1 minute
ENVIRONMENT		41-104 F (5-40 C); 10%-75% humidity
WEIGHT/DIMENSIONS		17.6 lbs. (8 Kg) / 435 x 175 x 255 mm (17-1/8" x 6-7/8" x 10")



DDV9650



USER'S GUIDE

**4-Head to 4-Head
VCR/VCR**

