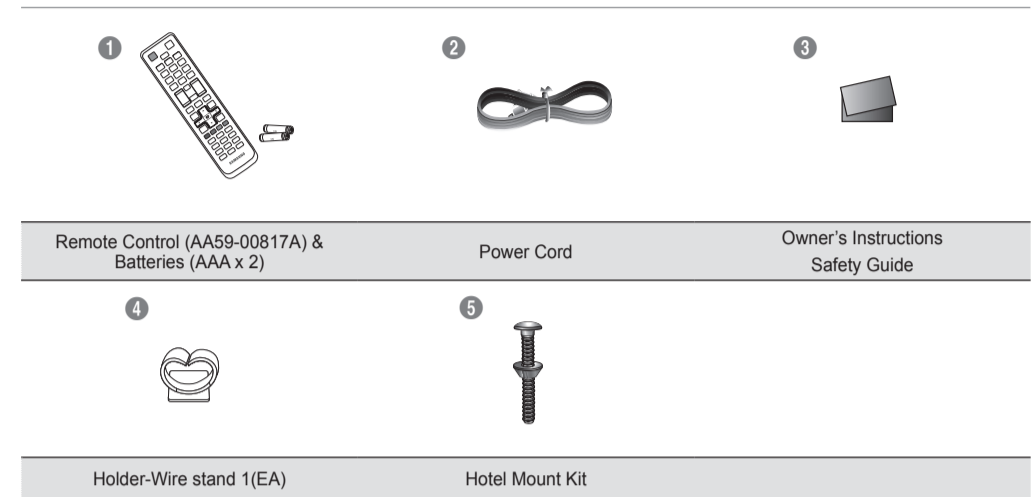


Quick Setup Guide

To register this product please visit www.samsung.com/register.



List of Parts



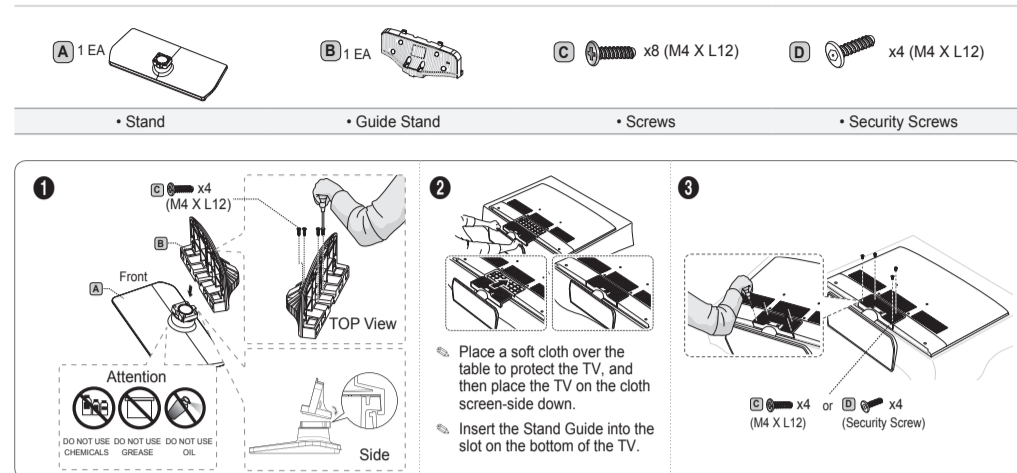
BN68-07039J-X0

Installing the LED TV Stand

◆ HG40ND678 / HG48ND678 / HG55ND678

Components

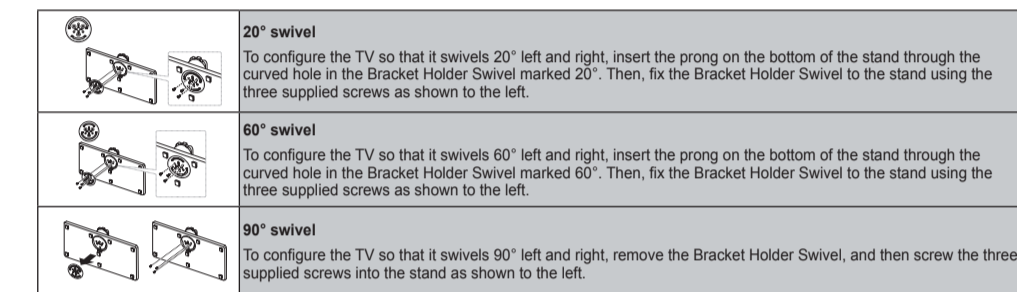
When installing the stand, use the provided components and parts.



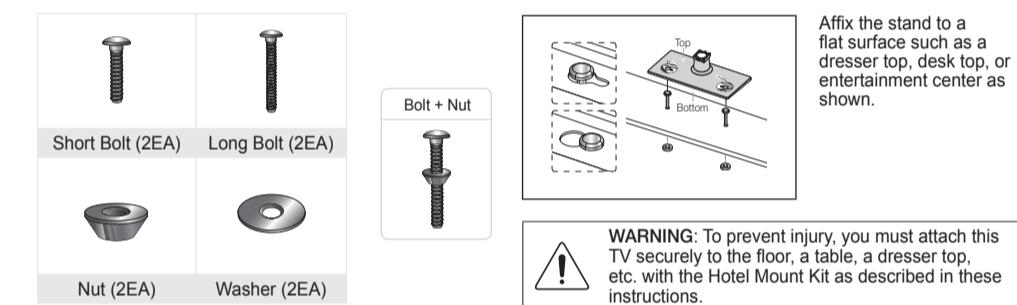
- Make sure to distinguish between the front and back of the Stand and Stand Guide when connecting them.
- Make sure that at least two people lift and move the LED TV.
- When connecting the stand, lay the product down on a soft surface, with the screen facing down, and then fasten the screws.
- The number of screws may differ depending on the model.

Assembling the swivel

The 40" and larger LED TVs have swivel stands. You can set these stands so that the TV swivels 20 degrees left and right, 60 degrees left and right, or 90 degrees left and right.



Hotel Mount Kit



Sound Bar

Samsung Sound-Bars and Hospitality TVs in 2015

- Samsung Sound-Bars and hospitality TVs support the ARC feature in HDMI 1.4. If you connect a compatible Samsung Sound-Bar to a compatible Samsung hospitality TV using a single HDMI cable, guests can listen to the TV's sound through the Sound-Bar.
- The item of Sound bar Out in Hospitality Option Menu makes you control to where the TV sound is outputted when the TV is turned on.
- If Sound bar Out is On, the TV sound is automatically outputted in the Sound Bar device only whenever TV is turned on.
- If Sound bar Out is Off, the TV sound is automatically outputted in the TV speaker only whenever TV is turned on.
- Models supporting the ARC function are listed below:
 - Sound-Bars: HW-E350/E450/E550
 - HW-F350/F355/FM35/F450/FM45/FM45C/ F550/F551/FM55/FM55C/F750/F751

Setting the Sound-Bar to Hotel Mode.

- Set the following Hotel menu options:
 - Hotel option > System > Sound Bar Out = On.
 - Hotel option > Power On > Power On Volume = User Defined.
 - Hotel option > Power On > Power On Volume Num > Set greater than 0.
 - Hotel option > Power On > Max Volume > Set greater than 0.
- Connect an HDMI cable from the HDMI OUT jack at the back of the Sound-Bar to the HDMI3 port (supporting ARC) on the hospitality TV.
- After the Sound-Bar is connected to the hospitality TV, when the TV turns on, the Sound-Bar automatically detects the TV, and then automatically switches to Hotel Mode.

Sound Bar Hotel mode functional characteristics:

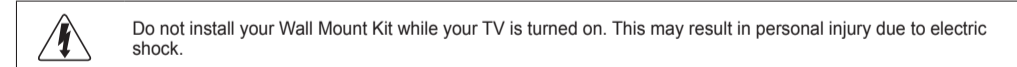
- Power On/Off is synchronized with the TV
- HDMI_CEC defaults to On
- Functions through the "HDMI OUT" port only
- Disables the "Input mode" key on the VFD to prevent unexpected audio-source changes.
- Acquires adjustable Power On and Max Volume settings from the TV's Hotel option menu. The Sound-Bar's Power On Volume and Max Volume values, however, are 1/2 of the Power On Volume and Max Volume settings in the TV's Hotel options menu.
- Example: If the TV's Power On Volume=20 and Max Volume=90, then the Sound Bar's Power On Volume=10 and Max Volume=45.

Wall Mount Kit Specifications (VESA)

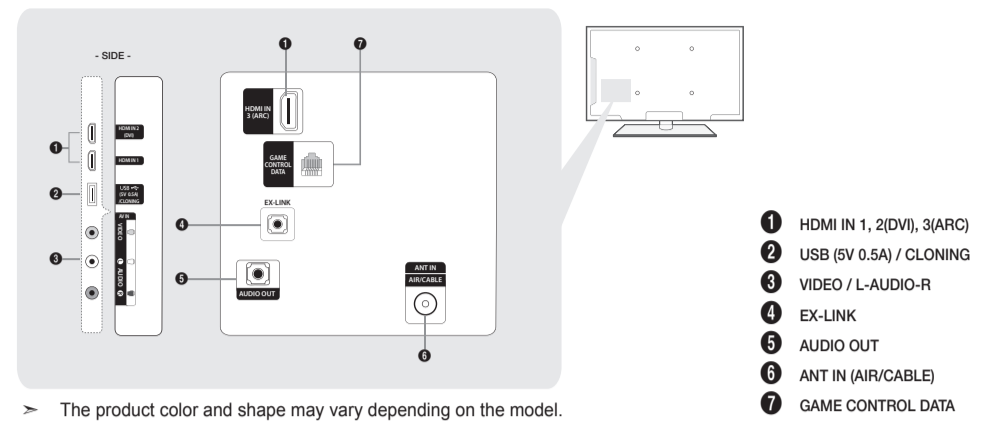
Install your wall mount on a solid wall perpendicular to the floor. If you are attaching the wall mount to building materials other than plaster board, contact your nearest dealer. If installed on a ceiling or slanted wall, the TV may fall and cause severe personal injury.

- Standard dimensions for wall mount kits are shown in the table below.
- Samsung wall mount kits contain a detailed installation manual. All parts necessary for assembly are provided.
- Do not use screws that do not comply with the VESA standard screw specifications.
- Do not use screws that are longer than the standard dimension or do not comply with the VESA standard screw specifications. Screws that are too long may cause damage to the inside of the TV set.
- For wall mounts that do not comply with the VESA standard screw specifications, the length of the screws may differ depending on the wall mount specifications.
- Do not fasten the screws too firmly. This may damage the product or cause the product to fall, leading to personal injury. Samsung is not liable for these kinds of accidents.
- Samsung is not liable for product damage or personal injury when a non-VESA or non-specified wall mount is used or the consumer fails to follow the product installation instructions.
- Do not mount the TV at more than a 15 degree tilt.
- Always have two people mount the TV onto a wall.

Product Family	TV size in inches	VESA screw hole specs (A * B) in millimeters	Standard Screw (Length* Pitch in mm)	Quantity
LED-TV	40	200 x 200	M8	4
	48 - 55	400 x 400		



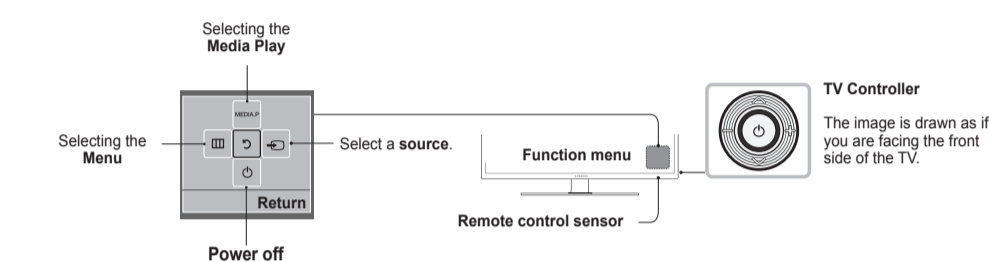
Viewing the Connection Panel



The product color and shape may vary depending on the model.

Using the TV's Controller

The TV's Controller, a small joy stick like button on the rear right side of the TV, lets you control the TV without the remote control.

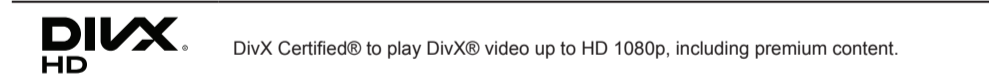
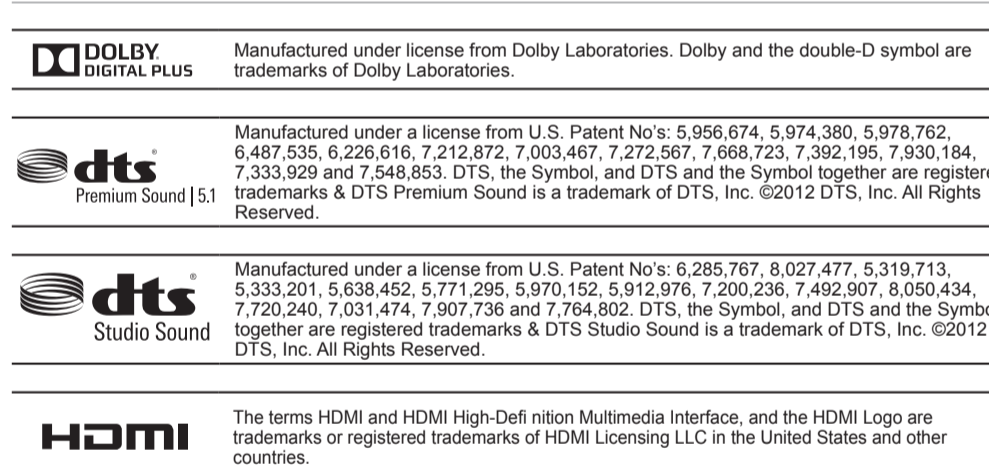


- The product color and shape may vary depending on the model.
- To exit the menu, press the Controller for more than 1 second.
- When selecting a function by moving the controller **up/down/left/right**, be sure not to press up on the controller. If you press up first, it will not operate correctly.

Standby mode

Your TV enters Standby mode when you turn it off and continues to consume a small amount of electric power. To be safe and to decrease power consumption, do not leave your TV in standby mode for long periods of time (when you are away on vacation, for example). It is best to unplug the power cord.

Licence



ABOUT DIVX VIDEO: DivX® is a digital video format created by DivX, LLC, a subsidiary of Rovi Corporation. This is an official DivX Certified® device that has passed rigorous testing to verify that it plays DivX video. Visit divx.com for more information and software tools to convert your files into DivX videos.

ABOUT DIVX VIDEO-ON-DEMAND: This DivX Certified® device must be registered in order to play purchased DivX Video-on-Demand (VOD) movies.

To obtain your registration code, locate the DivX VOD section in your device setup menu. Go to vod.divx.com for more information on how to complete your registration.

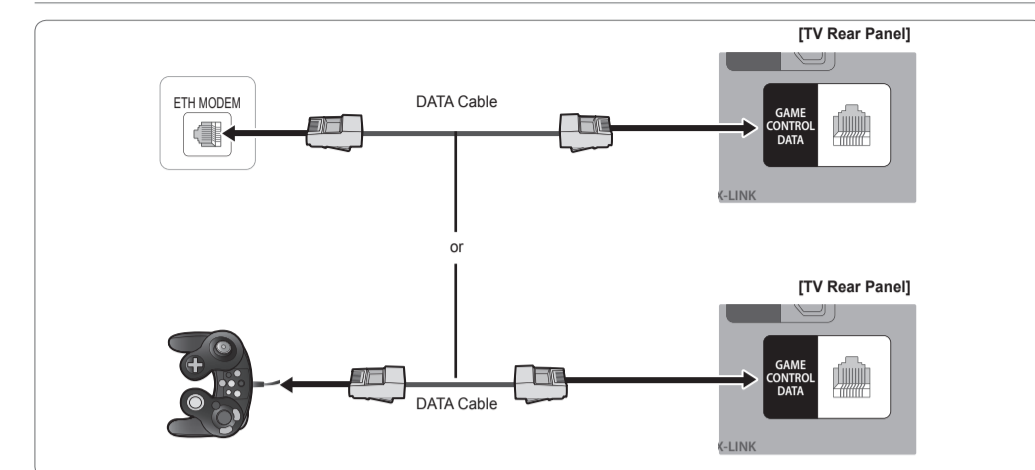
DivX®, DivX Certified® and associated logos are trademarks of Rovi Corporation or its subsidiaries and are used under license.

Covered by one or more of the following U.S. patents: 7,295,673; 7,460,668; 7,515,710; 7,519,274

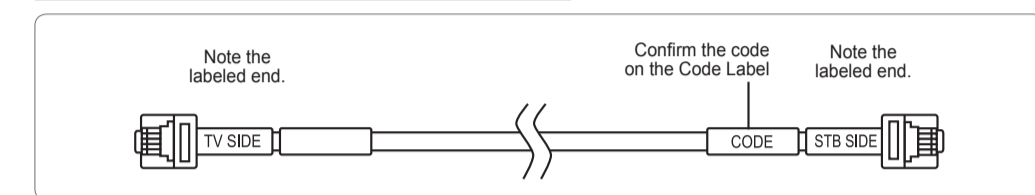
Open Source License Notice

Open Source used in this product can be found on the following webpage. (<http://opensource.samsung.com>)
Open Source License Notice is written only English.

Connecting the TV with an SBB or STB



List of Vendors and Compatible Data Cables Supplied with the TV



- Connect the Lodgenet game controller to the [GAME CONTROLLER/DATA] jack of the TV.
- Connect the [DATA] jack of the TV to the [ETH MODEM] jack of the STB (SBB) with the data cable.
 - The "ETH MODEM" jack name that you connect the Data Cable to may differ depending on the SBB or STB type.

Vendor	Cable code
OCC	BN39-00865B
NXTV	BN39-01011B
nStreams	BN39-01110A
MTI	BN39-01011C

Specifications

Model Name	HG40ND678	HG48ND678	HG55ND678
Operating Temperature	50°F to 104°F (10°C to 40°C)		
Operating Humidity	10% to 80%, non-condensing		
Storage Temperature	-4°F to 113°F (-20°C to 45°C)		
Storage Humidity	5% to 95%, non-condensing		
Display Resolution	1920 x 1080		
Screen Size (Diagonal)	40" Class (40.0" measured diagonally)	48" Class (48.0" measured diagonally)	55" Class (55.0" measured diagonally)
Sound (Output)	10W x 2		
Dimensions (WxDxH)			
Body	35.7 x 2.6 x 21.0 inches (906.6 x 65.1 x 532.9(mm))	42.3 x 2.6 x 24.7 inches (1075.1 x 65.5 x 627.5(mm))	48.4 x 2.5 x 28.2 inches (1230.6 x 64.0 x 718.4(mm))
With stand	35.7 x 8.9 x 22.7 inches (906.6 x 226.5 x 577.6(mm))	42.3 x 8.9 x 26.5 inches (1075.1 x 226.5 x 673.5(mm))	48.4 x 8.9 x 30.0 inches (1230.6 x 226.5 x 762.8(mm))
Weight			
Without Stand	16.8lbs (7.6kg)	24.0lbs (10.9kg)	34.6lbs (15.7kg)
With Stand	23.1lbs (10.5kg)	30.6lbs (13.9kg)	41.0lbs (18.6kg)
Stand Swivel (Left / Right)	20° / 60° / 90°		

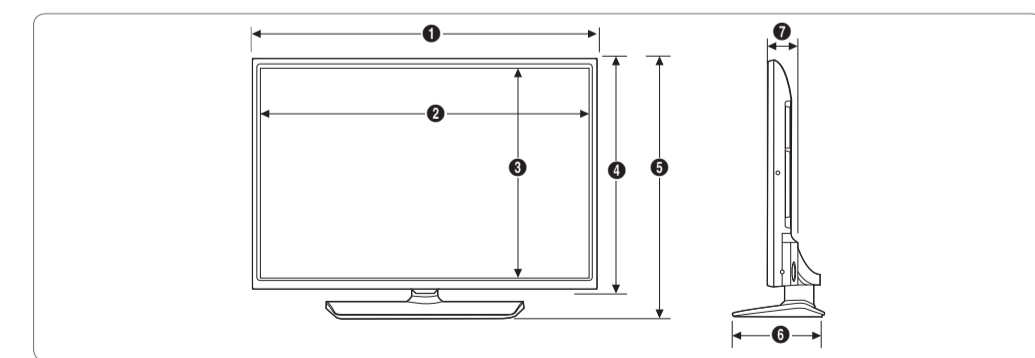
> Design and specifications are subject to change without prior notice.

> This device is a Class B digital apparatus.

WARNING: This product contains chemicals known to the State of California to cause cancer and reproductive toxicity.

Dimensions

HG40ND678 / HG48ND678 / HG55ND678



(unit: inches)

	1	2	3	4	5	6	7
HG40ND678	35.7	34.9	19.7	21	22.7	8.9	2.6
HG48ND678	42.3	41.6	23.4	24.7	26.5	8.9	2.6
HG55ND678	48.4	47.6	26.7	28.2	30.0	8.9	2.5