

SAMSUNG

PDP-MONITOR

(PLASMA DISPLAY PANEL)

Owner's Instructions

Before operating the unit,
please read this manual thoroughly,
and retain it for future reference.

ON-SCREEN MENUS

PICTURE IN PICTURE (PIP)

VIDEO WALL

MDC (MULTIPLE DISPLAY CONTROL)

VIRTUAL
 **DOLBY**
SURROUND

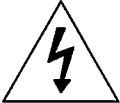

DNie™



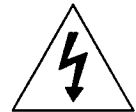
Thank You for Choosing Samsung!

Thank you for choosing Samsung! Your new Samsung product represents the latest in television technology. We designed it with easy-to-use on-screen menus and closed captioning capabilities, making it one of the best products in its class. We are proud to offer you a product that will provide convenient, dependable service and enjoyment for years to come.

Warning! Important Safety Instructions

	CAUTION RISK OF ELECTRIC SHOCK DO NOT OPEN	
CAUTION: TO PREVENT ELECTRICAL SHOCK, DO NOT REMOVE REAR COVER, NO USER SERVICEABLE PARTS INSIDE. REFER SERVICING TO QUALIFIED SERVICE PERSONNEL.		

The lightning flash and arrow head within the triangle is a warning sign alerting you of "dangerous voltage" inside the product.



The exclamation point within the triangle is a warning sign alerting you of important instructions accompanying the product.



Note to CATV system installer: This reminder is provided to call CATV system installer's attention to Article 820-40 of the National Electrical Code (Section 54 of Canadian Electrical Code, Part I), that provides guidelines for proper grounding and, in particular, specifies that the cable ground shall be connected to the grounding system of the building as close to the point of cable entry as practical.

Caution: FCC/CSA regulations state that any unauthorized changes or modifications to this equipment may void the user's authority to operate it.

Caution: To prevent electric shock, match the wide blade of plug to the wide slot, and fully insert the plug.

Attention: pour éviter les chocs électriques, introduire la lame le plus large de la fiche dans la borne correspondante de la prise et pousser jusqu'au fond.

Important: One Federal Court has held that unauthorized recording of copyrighted TV programs is an infringement of U.S. copyright laws. Certain Canadian programs may also be copyrighted and any unauthorized recording in whole or in part may be in violation of these rights.

TO PREVENT DAMAGE WHICH MAY RESULT IN FIRE OR ELECTRIC SHOCK HAZARD, DO NOT EXPOSE THIS APPLIANCE TO RAIN OR MOISTURE.

Important Safety Informations

ENG

- ◆ Read all safety and operating instructions before operating your PDP.
- ◆ Keep the safety and operating instructions for future reference.
- ◆ Heed all warnings on the PDP and in the operating instructions.
- ◆ Follow all operating and use instructions.
- ◆ Unplug the PDP from the wall outlet before cleaning. Use a damp cloth; do not use liquid or aerosol cleaners.
- ◆ Never add any attachments and/or equipment without approval of the manufacturer. Such additions can increase the risk of fire, electric shock, or other personal injury.
- ◆ Do not use the PDP where contact with or immersion in water is a possibility, such as near bath tubs, sinks, washing machines, swimming pools, etc.
- ◆ Do not place the PDP on an unstable cart, stand, tripod, bracket, table, or floor where it can fall. A falling PDP can cause serious injury to a child or adult, and serious damage to the appliance. Use only with a cart, stand, tripod, bracket, or table recommended by the manufacturer or sold with the PDP. Follow the manufacturer's instructions when mounting the unit, and use a mounting accessory recommended by the manufacturer. Move the PDP and cart with care. Quick stops, excessive force, and uneven surfaces can make the unit and cart unsteady and likely to overturn.
- ◆ Provide ventilation for the PDP. The unit is designed with slots in the cabinet for ventilation to protect it from overheating. Do not block these openings with any object, and do not place the PDP on a bed, sofa, rug, or other similar surface. Do not place it near a radiator or heat register. If you place the PDP on a rack or bookcase, ensure that there is adequate ventilation and that you've followed the manufacturer's instructions for mounting.
- ◆ Operate your PDP only from the type of power source indicated on the marking label. If you are not sure of the type of power supplied to your home, consult your appliance dealer or local power company.
- ◆ Use only a grounded or polarized outlet. For your safety, this PDP is equipped with a polarized alternating current line plug having one blade wider than the other. This plug will fit into the power outlet only one way. If you are unable to insert the plug fully into the outlet, try reversing the plug. If the plug still does not fit, contact your electrician to replace your outlet.
- ◆ Protect the power cord. Power supply cords should be routed so that they won't be walked on or pinched by objects placed on or against them. Pay particular attention to cords at plugs, convenience receptacles, and the point where they exit from the unit.
- ◆ Unplug the PDP from the wall outlet and disconnect the antenna or cable system during a lightning storm or when left unattended and unused for long periods of time. This will prevent damage to the unit due to lightning and power-line surges.



Important Safety Informations (continued)

ENG

- ◆ Avoid overhead power lines. An outside antenna system should not be placed in the vicinity of overhead power lines or other electric light or power circuits or where it can fall into such power lines or circuits. When installing an outside antenna system, be extremely careful to keep from touching the power lines or circuits. Contact with such lines can be fatal.
- ◆ Do not overload the wall outlet or extension cords. Overloading can result in fire or electric shock.
- ◆ Do not insert anything through the openings in the unit, where they can touch dangerous voltage points or damage parts. Never spill liquid of any kind on the PDP.
- ◆ Ground outdoor antennas. If an outside antenna or cable system is connected to the PDP, be sure the antenna or cable system is grounded so as to provide some protection against voltage surges and built-up static charges. Section 810 of the National Electrical Code, ANSI/NFPA No.70-1984, provides information about proper grounding of the mast and supporting structure, grounding of the lead-in wire to an antenna discharge unit, size of grounding conductors, location of antenna discharge unit, connection to grounding electrodes, and requirements for the grounding electrode.
- ◆ Do not attempt to service the PDP yourself. Refer all servicing to qualified service personnel. Unplug the unit from the wall outlet and refer servicing to qualified service personnel under the following conditions:
 - when the power-supply cord or plug is damaged
 - if liquid has been spilled on the unit or if objects have fallen into the unit
 - if the PDP has been exposed to rain or water
 - if the PDP does not operate normally by following the operating instructions
 - if the PDP has been dropped or the cabinet has been damaged
 - when the PDP exhibits a distinct change in performance
- ◆ If you make adjustments yourself, adjust only those controls that are covered by the operating instructions. Adjusting other controls may result in damage and will often require extensive work by a qualified technician to restore the PDP to normal.
- ◆ When replacement parts are required, be sure the service technician uses replacement parts specified by the manufacturer or those that have the same characteristics as the original part. Unauthorized substitutions may result in additional damage to the unit.
- ◆ Upon completion of any service or repairs to this PDP, ask the service technician to perform safety checks to determine that the PDP is in a safe operating condition.
- ◆ The PDP can properly operate in a temperature range of 32~104°F(0~40°C) and 80% humidity. Do not use in a hot and humid place.
- ◆ Before moving the PDP equipped with speakers, separate the speakers from the PDP. If you move the PDP with the speakers attached, it may result in damage or injury.

FCC Information

ENG

User Instructions

The Federal Communications Commission Radio Frequency Interference Statement includes the following warning:

NOTE: This equipment has been tested and found to comply with the limits for a Class B digital device, pursuant to Part 15 of the FCC Rules. These limits are designed to provide reasonable protection against harmful interference in a residential installation. This equipment generates, uses, and can radiate radio frequency energy and, if not installed and used in accordance with the instructions, may cause harmful interference to radio communications. However, there is no guarantee that interference will not occur in a particular installation.

If this equipment does cause harmful interference to radio or television receptions, which can be determined by turning the equipment off and on, the user is encouraged to try to correct the interference by one or more of the following measures:

- ◆ Reorient or relocate the receiving antenna.
- ◆ Increase the separation between the equipment and receiver.
- ◆ Connect the equipment into an outlet on a circuit different from that to which the receiver is connected.
- ◆ Consult the dealer or an experienced radio/TV technician for help.

User Information

Changes or modifications not expressly approved by the party responsible for compliance could void the user's authority to operate the equipment. If necessary, consult your dealer or an experienced radio/television technician for additional suggestions. You may find the booklet called, *How to Identify and Resolve Radio/TV Interference Problems* helpful. This booklet was prepared by the Federal Communications Commission. It is available from the U.S. Government Printing Office, Washington, DC 20402, Stock Number 004-000-00345-4 .

The party responsible for product compliance:
SAMSUNG ELECTRONICS CO., LTD
America QA Lab of Samsung
3351 Michelson Drive,
Suite #290, Irvine, CA92612 USA

Warning

User must use shielded signal interface cables to maintain FCC compliance for the product. Provided with this monitor is a detachable power supply cord with IEC320 style terminations. It may be suitable for connection to any UL Listed personal computer with similar configuration. Before making the connection, make sure the voltage rating of the computer convenience outlet is the same as the monitor and that the ampere rating of the computer convenience outlet is equal to or exceeds the monitor voltage rating.

For 120 Volt applications, use only UL Listed detachable power cord with NEMA configuration 5-15P type (parallel blades) plug cap. For 240 Volt applications use only UL Listed Detachable power supply cord with NEMA configuration 6015P type (tandem blades) plug cap.

IC Compliance Notice

This Class B digital apparatus meets all requirements of the Canadian Interference-Causing Equipment Regulations of ICES-003.

Cet appareil Numérique de classe B respecte toutes les exigences du Règlement NMB-03 sur les équipements produisant des interférences au Canada.

Notice de Conformité IC

Cet appareil numérique de classe B respecte toutes les exigences du Règlement ICES-003 sur les équipements produisant des interférences au Canada.

VCCI

This is a Class B product based on the standard of the Voluntary Control Council for Interference by Information Technology Equipment (VCCI). If this is used near a radio or television receiver in a domestic environment, it may cause radio interference. Install and use the equipment according to the instruction manual.



Important Warranty Information Regarding Television Format Viewing

Wide screen format PDP Displays (16:9, the aspect ratio of the screen width to height) are primarily designed to view wide screen format full-motion video. The images displayed on them should primarily be in the wide screen 16:9 ratio format, or expanded to fill the screen if your model offers this feature and constantly moving. Displaying stationary graphics and images on screen, such as the dark side-bars on non-expanded standard format television video and programming, should be limited to no more than 5% of the total television viewing per week.

Additionally, viewing other stationary images and text such as stock market reports, video game displays, station logos, web sites or computer graphics and patterns, should be limited as described above for all televisions. **Displaying stationary images that exceed the above guidelines can cause uneven aging of PDP Displays that leave subtle, but permanent burned-in ghost images in the PDP picture. To avoid this, vary the programming and images, and primarily display full screen moving images, not stationary patterns or dark bars.** On PDP models that offer picture sizing features, use these controls to view different formats as a full screen picture.

Be careful in the selection and duration of television formats used for viewing. Uneven PDP aging as a result of format selection and use, as well as burned-in images, are not covered by your Samsung limited warranty.

User Instructions

- ◆ **Screen Image retention**
Do not display a still image (such as on a video game or when hooking up a PC to this PDP) on the plasma display panel for more than 2 hours as it can cause screen image retention. This image retention is also known as "screen burn". To avoid such image retention, reduce the degree of brightness and contrast of this screen when displaying a still image.
- ◆ **Cell Defect**
The plasma display panel consists of fine cells. Although the panels are produced with more than 99.9 percent active cells, there may be some cells that do not produce light or remain lit.
- ◆ **Height**
The PDP can normally operate only under 2000m in height. It might abnormally function at a place over 2000m in height and do not install and operate there.
- ◆ **Warranty**
 - Warranty Period: Two years starting from the purchase of your PDP.
 - Warranty does not cover any damage caused by image retention.
 - Burn-in is not covered by the warranty.

Wiring the Mains Power Supply Plug (UK Only)

ENG

IMPORTANT NOTICE

The mains lead on this equipment is supplied with a moulded plug incorporating a fuse. The value of the fuse is indicated on the pin face of the plug and, if it requires replacing, a fuse approved to BS11362 of the same rating must be used. Never use the plug with the fuse cover omitted if the cover is detachable. If a replacement fuse cover is required, it must be of the same colour as the pin face of the plug. Replacement covers are available from your dealer. If the fitted plug is not suitable for the power points in your house or the cable is not long enough to reach a power point, you should obtain a suitable safety approved extension lead or consult your dealer for assistance. However, if there is no alternative to cut off the plug, remove the fuse and then safely dispose of the plug. Do NOT connect the plug to a mains socket as there is a risk of shock hazard from the bared flexible cord.

IMPORTANT

The wires in the mains lead are coloured in accordance with the following code:

BLUE - NEUTRAL BROWN - LIVE

As these colours may not correspond to the coloured markings identifying the terminals in your plug, proceed as follows:

The wire coloured BLUE must be connected to the terminal marked with the letter N or coloured BLUE or BLACK.

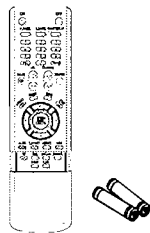
The wire coloured BROWN must be connected to the terminal marked with the letter L or coloured BROWN or RED.

WARNING: DO NOT CONNECT EITHER WIRE TO THE EARTH TERMINAL, WHICH IS MARKED WITH THE LETTER E OR BY THE EARTH SYMBOL \perp , OR COLOURED GREEN OR GREEN AND YELLOW.

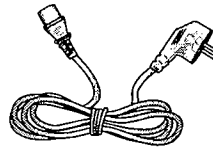
Checking Parts



Owner's Instructions



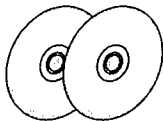
Remote Control/
AAA Batteries



Power Cord



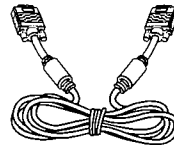
Speaker Wires



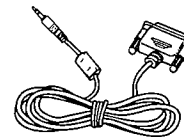
2 Install CD
- RS232C
- Pivot software



Ferrite Cores for
Speaker Wire



PC Cable



Download Cable

DNie™ (Digital Natural Image engine) DNie™

This feature bring you more detailed image with 3D noise reduction, detail enhancement, contrast enhancement and white enhancement. New image compensation Algorithm gives brighter, clearer, much detailed image to you. DNie™ technology will fit every signals into your eyes.



Contents

CONTENTS

Contents (continued)

.....

Symbols



Press



Important

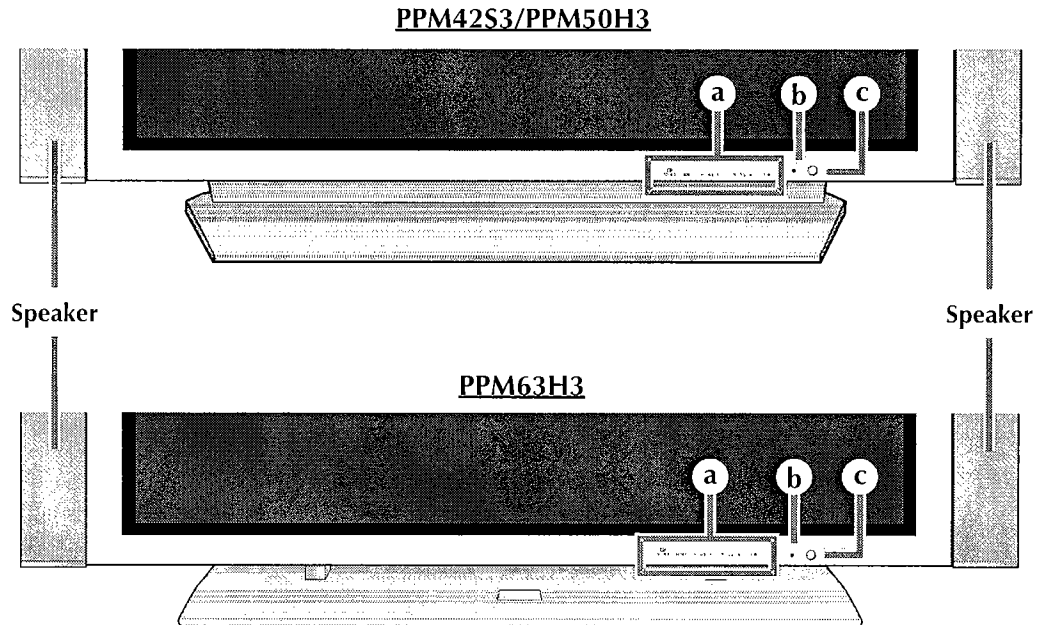



Note

Your New Plasma Display Panel

➤ The actual configuration on your PDP may be different, depending on your model.

Front Panel



- a**
-  **SOURCE**
 - External input selection.
 - Store your settings in the menu.
 - MENU**
 - Menu display and exit.
 - VOL +**
 - Volume adjustment.
 - Adjust an option value respectively.
 - (VOL + : Enter to the selected menu.)
 - ▼ SEL ▲**
 - Control the cursor in the menu.
 - I / ⏻**
 - Press to turn the PDP on and off.

- b**
- Power Indicator**
 - Power Off; Red
 - Power On; Off
 - Timer On; Green

- c**
- Remote Control Signal Receiver**
 - Aim the remote control towards this spot on the PDP.

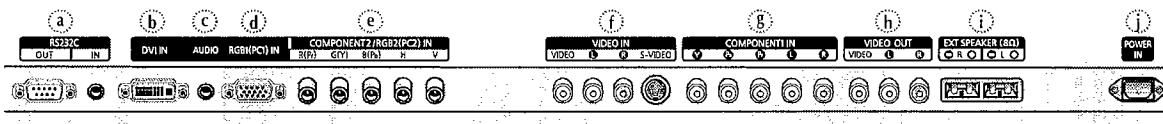
Your New Plasma Display Panel

- The actual configuration on your PDP may be different, depending on your model.

ENG

Rear Panel

- For further details about connection, refer to pages 48-50.



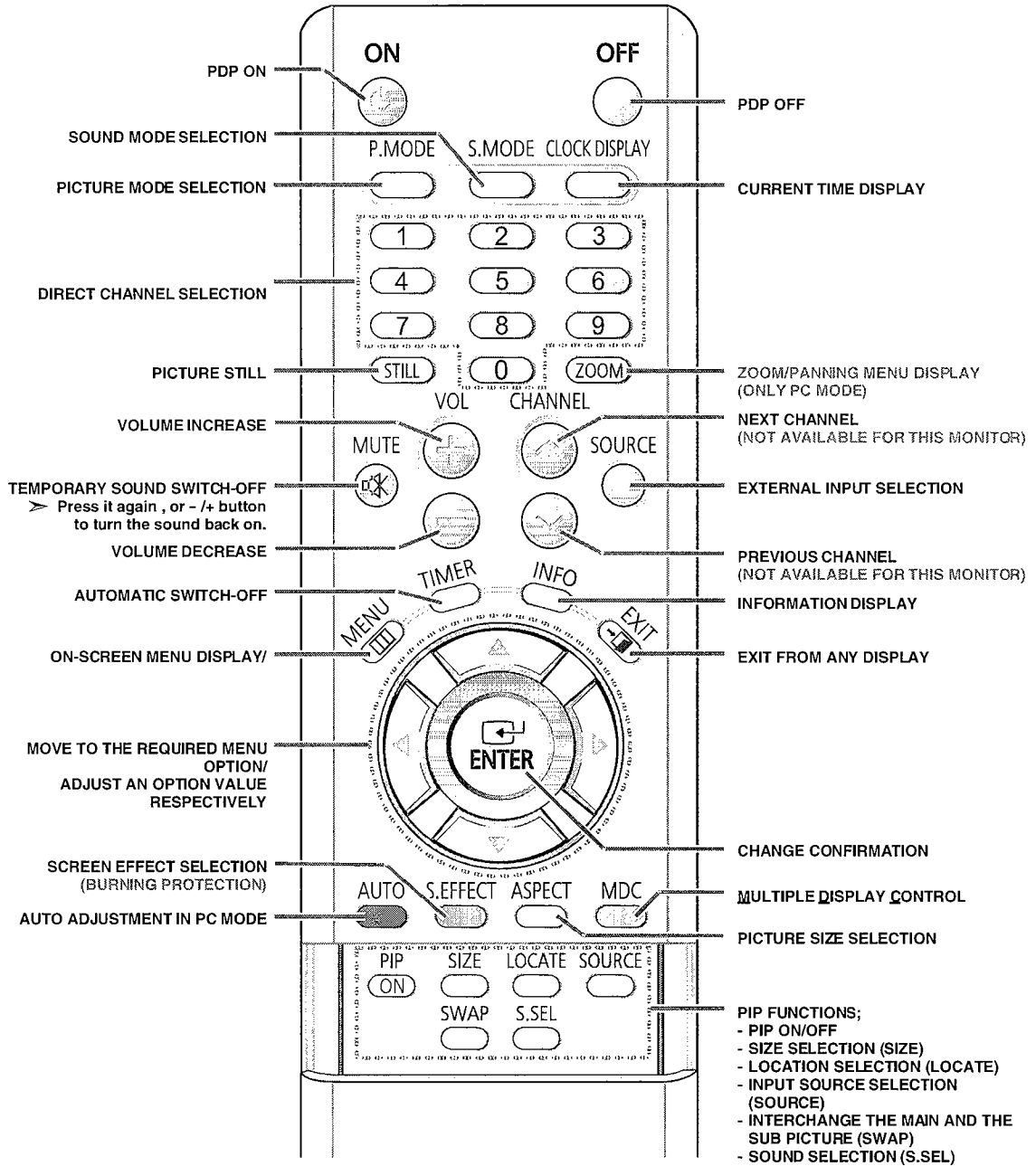
- a) **RS232C**
 – **IN** : Used for the MDC function when connecting PC or RS232C output of another PDP.
 – **OUT** : Used for the MDC function when connecting with RS232C input of another PDP.
- b) **DVI IN**
 Connect to the video output jack for device with DVI output.
- c) **AUDIO**
 Connect to the audio output jack on your PC or any device with DVI output.
- d) **RGB1(PC1) IN**
 Connect to the video output jack on your PC.
- e) **COMPONENT2/RGB2(PC2) IN**
 Connect for input of an Analog RGB or Y/Pb/Pr video signal from in PC, DVD, or HD devices.
- f) **VIDEO IN**
 Video and audio inputs for external devices, such as VCR, DVD, video game device or video disc players (or for external devices with an S-Video output; **S-VIDEO**).
- g) **COMPONENT1 IN**
 Video (Y/Pb/Pr) and audio (L/R) inputs for component.
- h) **VIDEO OUT (VIDEO / L-AUDIO-R)**
 Used to output screen of Video or S-Video in PDP when connecting video and/or audio input of external devices.
- i) **EXT SPEAKER (8Ω)**
 Connect external speakers.
- j) **POWER IN**
 Connect the supplied power cord.

Becoming Familiar with the Remote Control



The remote control is used mainly to:

- ◆ Change sources and adjust the volume
- ◆ Set up the PDP using the on-screen menu system



➤ The performance of the remote control may be affected by bright light.

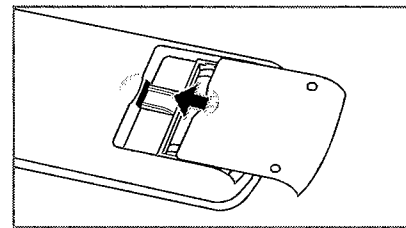
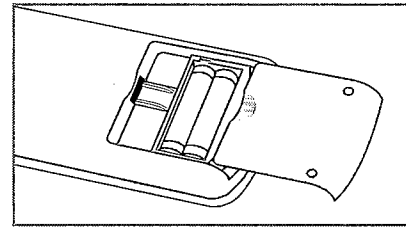
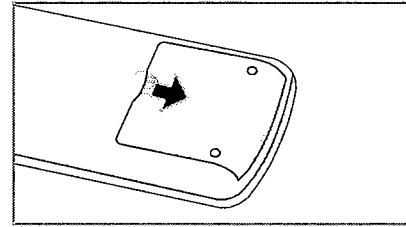
Inserting the Batteries in the Remote Control

ENG

You must insert or replace the batteries in the remote control when you:

- ◆ *Purchase the PDP*
- ◆ *Find that the remote control is no longer operating correctly*

- 1 Remove the cover on the rear of the remote control by pressing the symbol downwards and then pulling firmly to remove it.
- 2 Insert two R03, UM4, "AAA" 1.5V or equivalent batteries taking care to respect the polarities:
 - ◆ - on the battery against - on the remote control
 - ◆ + on the battery against + on the remote control
- 3 Replace the cover by aligning it with the base of the remote control and pressing it back into place.



Installing the Display on the Wall Attachment Panel

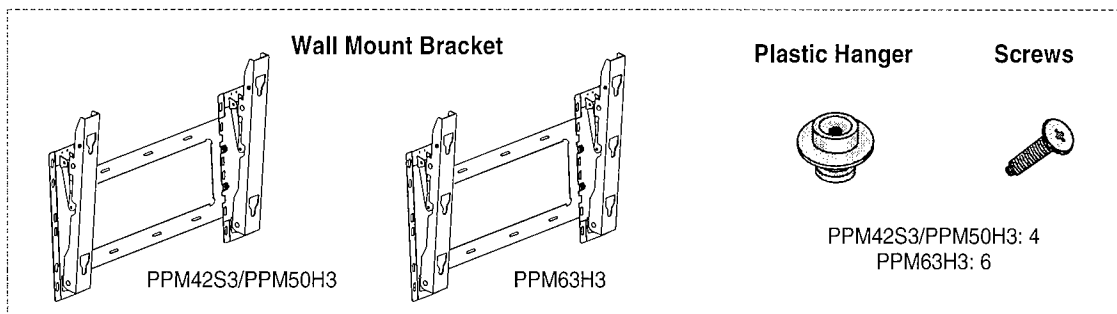
ENG

- This wall mount bracket installation guide is for the following models: WMN4230/WMN5030/WMN6330. This installation guide may be different from the PDP User's manual. Please refer to the proper installation guide for your product.

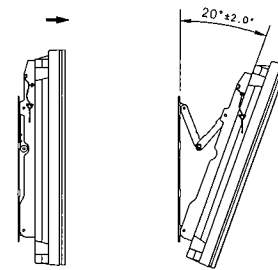
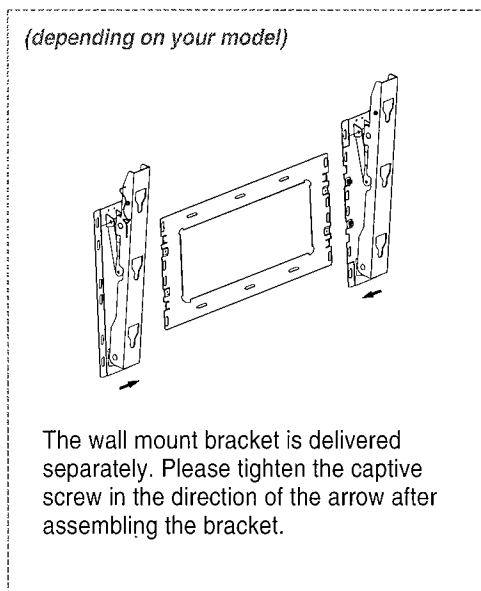
Installation Notes

- ◆ Do not install the PDP on any place other than vertical walls.
- ◆ To protect the performance of the PDP and prevent troubles, avoid the followings:
 - Do not install next to smoke and fire detectors.
 - Do not install in an area subjected to vibration or high voltage.
 - Do not install near or around any heating apparatus.
- ◆ Use only recommended parts and components.

Mounting Kits



How to Adjust Mounting Angle



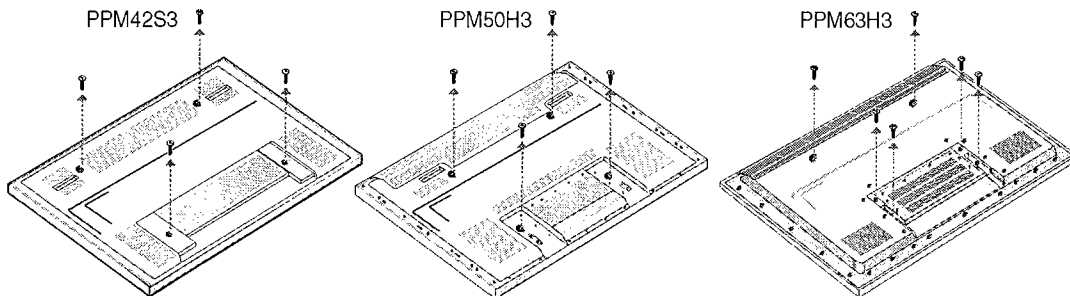
- 1 Secure the PDP to the wall mount bracket. (Please refer to the following instructions.)
- 2 Set the angle by pulling the upper end of the PDP attached to bracket in the direction of the arrow.
- 3 The angle can be adjusted from 0° to 20° by ±2°.

Installing the Display on the Wall Attachment Panel

ENG

➤ The exterior of the PDP may be different than the picture.
(Assembly and installation of the plastic hanger is the same.)

1 Remove the screws from the back of the PDP.

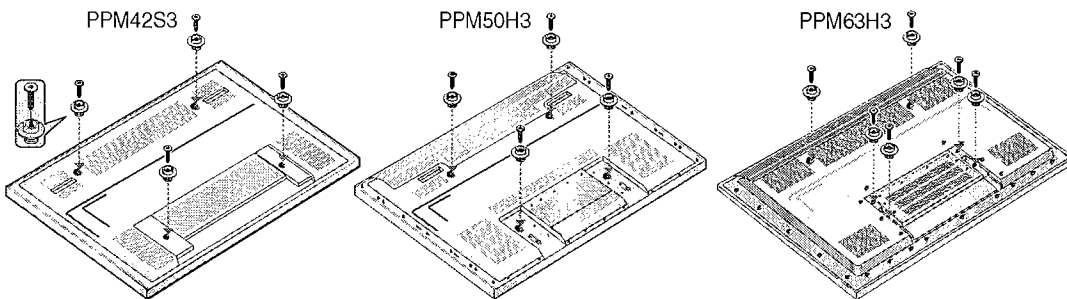


2 Use the screws and assemble the plastic hanger.

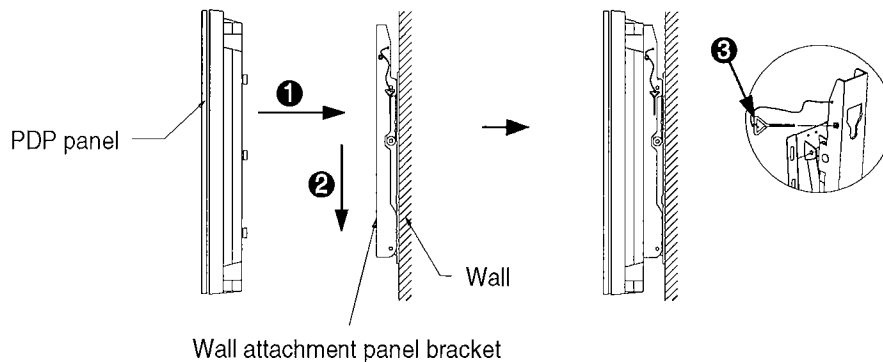
- ◆ Please ask the installers to install the wall mount bracket.
- ◆ Please be sure to check if the plastic hanger is completely secured on both the left and right side after hanging the PDP on the wall mount bracket.
- ◆ Please avoid catching your fingers while installing and adjusting the angle.
- ◆ Please tightly secure the wall mount bracket to the wall to avoid injury from a falling PDP.



3 Tighten the screws of the plastic hanger to the back side of the PDP.



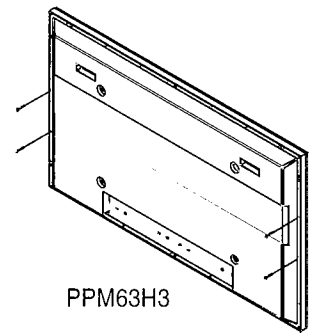
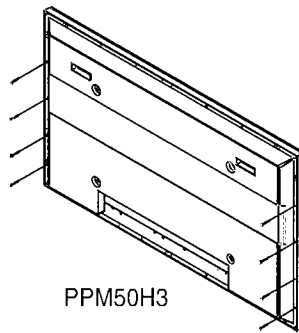
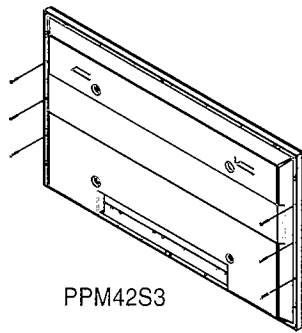
4 Put the 4 pegs on the PDP in the grooves of the wall mount bracket and pull down on the PDP (①) to secure it to the wall mount bracket (②). Tighten the screws as shown (③) so that the PDP cannot be separated from wall mount bracket.



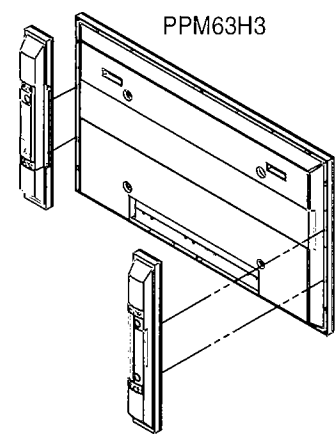
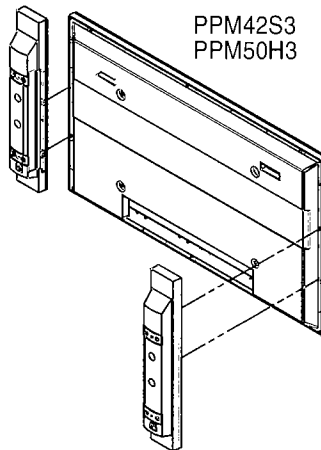
Connecting Speakers

ENG

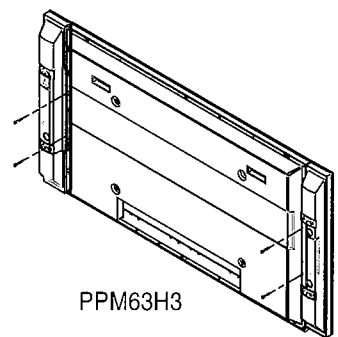
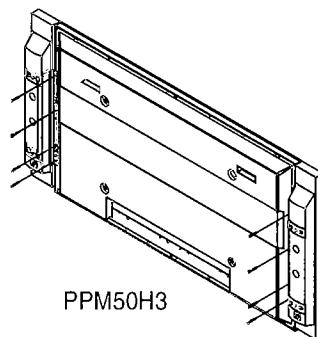
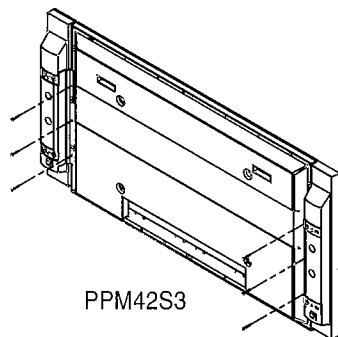
- 1 Remove the screws on the rear of the PDP.



- 2 Hang the two "T" shaped hangers on the square holes on the rear of the PDP.



- 3 Tighten the PDP and the speaker bracket using the screws removed from the PDP.

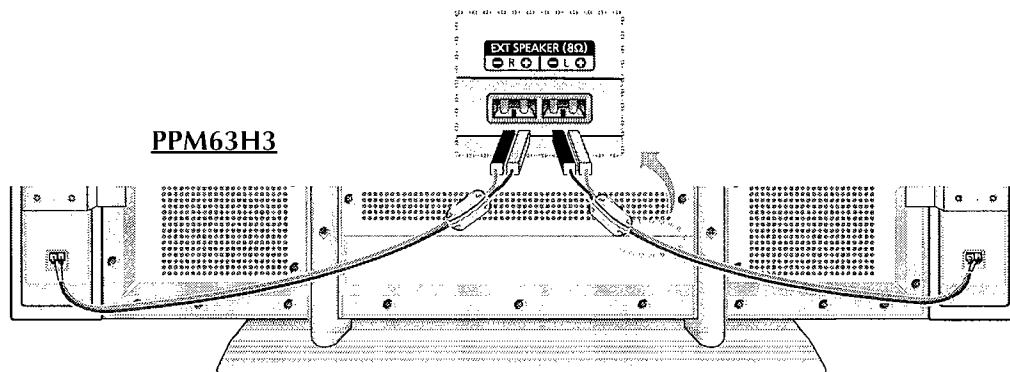
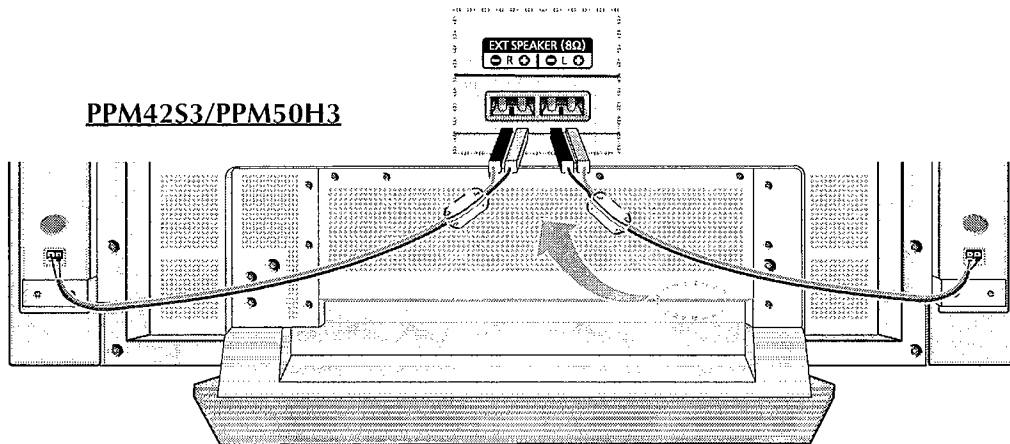


- When moving your PDP, do NOT hold the speaker connected to your PDP. It may damage the bracket clamping the speaker and your PDP together and result in a drop of your PDP and a risk of personal damage and injury.

Connecting Speakers (continued)

ENG

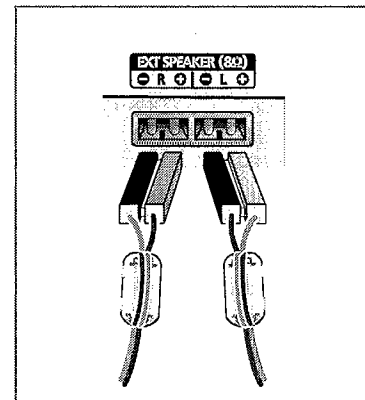
Connect the speaker audio cable to the external speaker output jack on the rear of the PDP matching the “+” and “-” ends of the cable with the diagram on the PDP.



- ◆ The speakers MUST have to a power handling capability of 10 watts minimum (impedance 8Ω).
- ◆ When you connect the speaker wire to the external speaker out connector, first bind the speaker wire round the ferrite core to secure it.

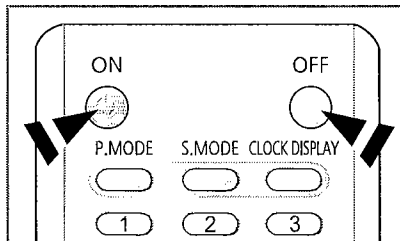
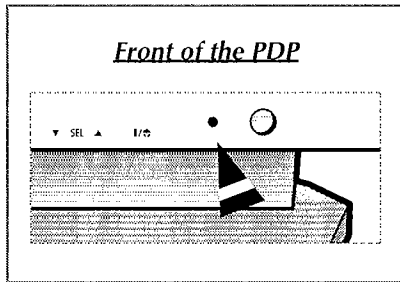
Ferrite Cores

The ferrite cores are used to attenuate undesired signals. When connecting cables, attach one of these ferrite cores to the cable near the connector.



Switching On and Off

ENG



The mains lead is attached to the rear of your PDP.

☛ If you have purchased this PDP in the United Kingdom, refer to page 55 for further instructions on plug wiring.

- 1 Plug the mains lead into an appropriate socket.

Result: The Standby indicator on the front of the PDP lights up.

➤ The main voltage is indicated on the rear of the PDP and the frequency is 50 or 60Hz.

- 2 Press the "I/O" button on the front of the PDP (or ON (I/O) button on the remote control) to switch the PDP on.

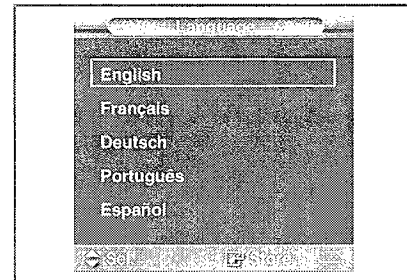
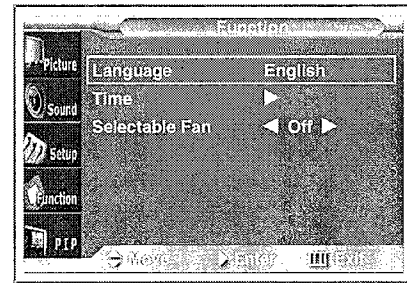
- 3 To switch your PDP off, press the "I/O" button again (or OFF button on the remote control).

Choosing Your Language

ENG

When you start using your PDP for the first time, you must select the language which will be used for displaying menus and indications.

- 1 Press the **MENU** button.
Result: The main menu is displayed.
- 2 Press the ▲ or ▼ button to select **Function**.
Result: The options available in the **Function** group are displayed.
- 3 Press the ► button.
Result: The **Language** option is selected.
- 4 Press the ► button again.
Result: The languages available are listed.
- 5 Select the appropriate language by pressing the ▲ or ▼ button repeatedly.
- 6 Press the **ENTER** button to confirm your choice.

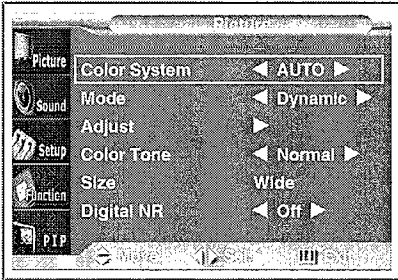




Selecting the Color System (Video or S-Video Mode)

➤ Preset to the **Video** or **S-Video** mode by using the **SOURCE** button.

If necessary, select the broadcasting standard which best corresponds to your viewing requirements.



1 Press the **MENU** button.
Result: The options available in the **Picture** group are displayed.

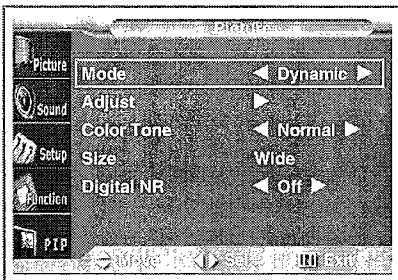
2 Press the **▶** button.
Result: The **Color System** is selected.

3 Select a required color system by pressing the **◀** or **▶** button.
Result: The following color systems are available.

AUTO - PAL - SECAM - NTSC4.43 - NTSC3.58 - PAL M - PAL N - PAL60

Changing the Picture Mode

You can select the type of picture which best corresponds to your viewing requirements.



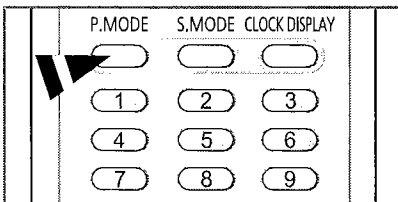
1 Press the **MENU** button.
Result: The options available in the **Picture** group are displayed.

2 Press the **▶** button.

3 Press the **▲** or **▼** button to select **Mode**. Select the option by pressing the **◀** or **▶** button.

Result: The following modes are available depending on the input source.

- ◆ **Dynamic - Standard - Movie - Custom**
- ◆ **Custom - High - Middle - Low**
(PC or DVI Mode)



➤ You can also set these options simply by pressing the **P.MODE** (Picture Mode) button.

Adjusting the Picture Settings

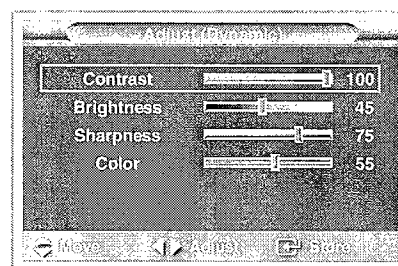
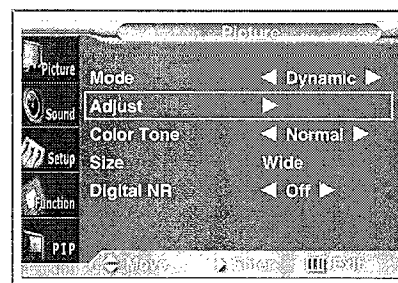
ENG

Your PDP has several settings which allow you to control picture quality.

- 1 Press the **MENU** button.
Result: The options available in the **Picture** group are displayed.
- 2 Press the **▶** button.
- 3 Press the **▲** or **▼** button to select **Adjust**. Press the **▶** button.
Result: The **Adjust** menu is displayed.
- 4 Press the **▲** or **▼** button to select the option (**Contrast**, **Brightness**, **Sharpness**, **Color**, **Tint**-NTSC only) to be adjusted. Press the **◀** or **▶** button.
Result: The horizontal bar is displayed. Move the horizontal bar's cursor left or right by pressing the **◀** or **▶** button.
- 5 When you are satisfied with the settings, press the **ENTER** button to store them.
- 6 Press the **MENU** button.
Result: The options available in the **Picture** group are displayed again.
- 7 Press the **▲** or **▼** button to select **Color Tone**. Select the option by pressing the **◀** or **▶** button. The color tones are displayed in the following order.

Normal - Warm1 - Warm2 - Cool2 - Cool1

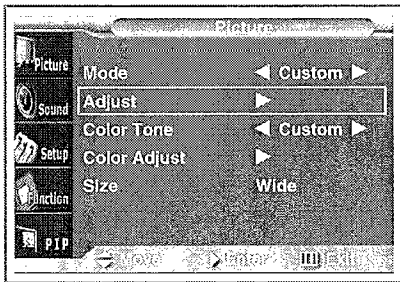
- If you make any changes to these settings, the picture mode is automatically switched to the **Custom**.



Adjusting the Picture Settings (PC or DVI Mode)

ENG

➤ Preset to the PC mode by using the **SOURCE** button.



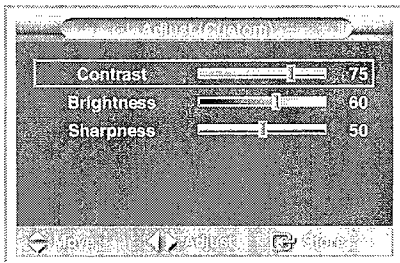
1 Press the **MENU** button.

Result: The options available in the **Picture** group are displayed.

2 Press the **▶** button.

3 Press the **▲** or **▼** button to select **Adjust**. Press the **▶** button.

Result: The **Adjust** menu is displayed.



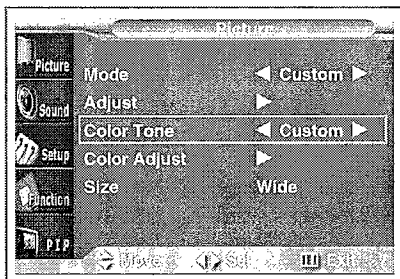
4 Press the **▲** or **▼** button to select the option (**Contrast**, **Brightness**, **Sharpness**) to be adjusted. Press the **◀** or **▶** button.

Result: The horizontal bar is displayed. Move the horizontal bar's cursor left or right by pressing the **◀** or **▶** button.

5 When you are satisfied with the settings, press the **ENTER** button to store them.

6 Press the **MENU** button.

Result: The options available in the **Picture** group are displayed again.



7 Move the joystick up or down until the **Color Tone** option is selected.

8 Press the **▲** or **▼** button to select **Color Tone**. Select the option by pressing the **◀** or **▶** button. The color tones are displayed in the following order.

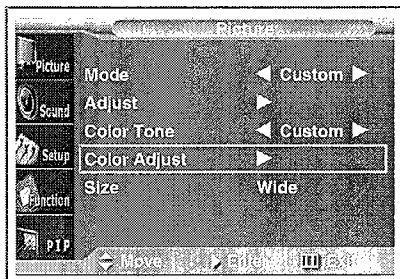
Custom (PC mode only) - **Color1** - **Color2** - **Color3**

9 Press the **▲** or **▼** button to select **color Adjust**. Press the **▶** button.

Result: The **Color Adjust** menu is displayed.

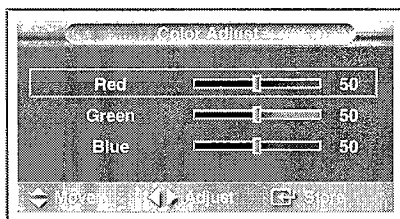
➤ ◆ When select the **Color Tone** to **Custom**, the **Color Adjust** menu is displayed.

◆ The **Color Adjust** menu can not be selected in DVI mode.



10 Press the **▲** or **▼** button to select the option (**Red**, **Green**, **Blue**) to be adjusted. Press the **◀** or **▶** button.

Result: The horizontal bar is displayed. Move the horizontal bar's cursor left or right by pressing the **◀** or **▶** button.



11 When you are satisfied with the settings, press the **ENTER** button to store them.

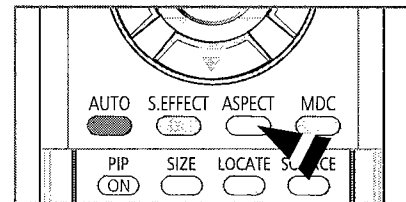
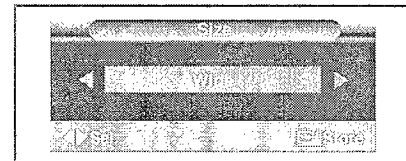
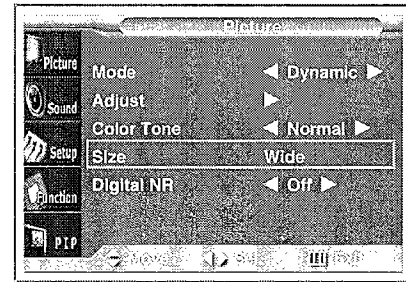
Selecting the Picture Size

ENG

You can select the picture size which best corresponds to your viewing requirements.

- 1 Press the **MENU** button.
Result: The options available in the **Picture** group are displayed.
- 2 Press the **▶** button.
- 3 Press the **▲** or **▼** button to select **Size**. Press the **▶** button.
- 4 Select the option by pressing the **◀** or **▶** button.
Result: The following modes are available depending on the input source.
 - ◆ **Wide - Zoom1 - Zoom2 - 14:9 - Normal**
 - The lifting is available in the **Zoom1**, **Zoom2** or **14:9** mode by pressing the **▼** or **▲** button.
 - ◆ **Wide - Normal (PC Mode)**

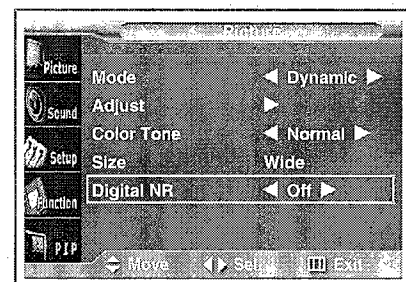
➤ You can also set these options simply by pressing the **ASPECT** button.



Activating/Deactivating the Digital Noise Reduction Feature

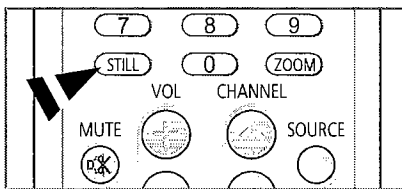
If the signal received by your PDP is weak, you can activate this feature to reduce any static and ghosting that may appear on the screen.

- 1 Press the **MENU** button.
Result: The options available in the **Picture** group are displayed.
- 2 Press the **▶** button.
- 3 Press the **▲** or **▼** button to select **Digital NR**.
- 4 Press the **◀** or **▶** button to change the setting (**On** or **Off**).



Freezing the Current Picture

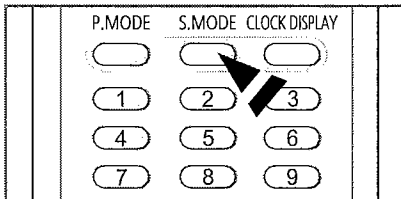
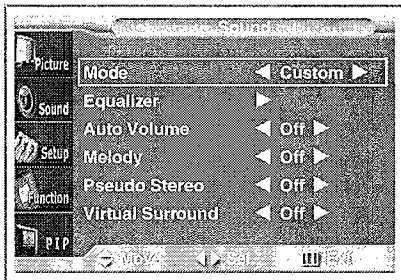
ENG



You can freeze the picture when watching a moving picture simply by pressing the "STILL" button. To return to normal viewing, press it again.

- In the PIP mode, the main and sub pictures are stilled at the same time.

Changing the Sound Mode



You can select the type of special sound effect to be used when watching a given broadcast.

- 1 Press the **MENU** button.
Result: The main menu is displayed.

- 2 Press the ▲ or ▼ button to select **Sound**.
Result: The options available in the **Sound** group are displayed.

- 3 Press the ► button.
Result: The **Mode** is selected.

- 4 Select the option by pressing the ◀ or ▶ button. The sound effects are displayed in the following order.

Custom - Standard - Music - Movie - Speech

- You can also set these options simply by pressing the **S.MODE** (Sound Mode) button.