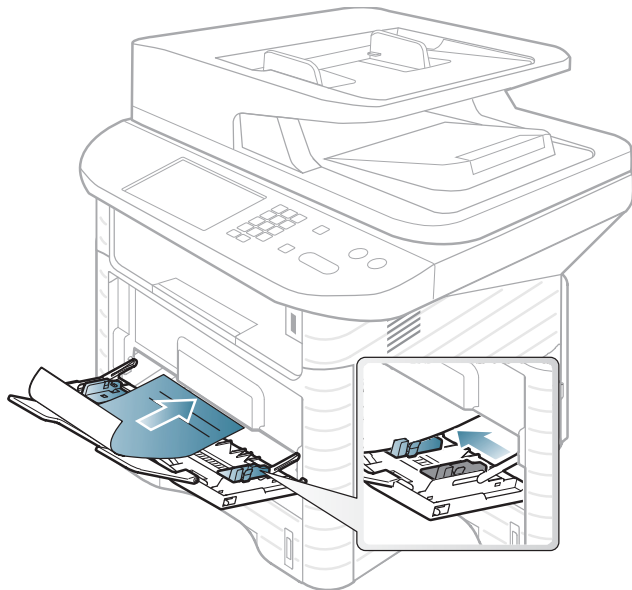


Preprinted paper

When loading preprinted paper, the printed side should be facing up with an uncurled edge at the front. If you experience problems with paper feeding, turn the paper around. Note that print quality is not guaranteed.



- Must be printed with heat-resistant ink that will not melt, vaporize, or release hazardous emissions when subjected to the machine's fusing temperature for 0.1 second (about 170°C (338°F)).
- Must be non-flammable and should not adversely affect machine rollers.

- Before you load preprinted paper, verify that the ink on the paper is dry. During the fusing process, wet ink can come off preprinted paper, reducing print quality.




Setting the paper size and type

After loading paper in the paper tray, set the paper size and type using the control panel buttons.



- Accessing menus may differ from model to model (see "Accessing the menu" on page 29).
- It may be necessary to press **OK** to navigate to lower-level menus for some models.

- 1 Select  (**Menu**) > **System Setup** > **Paper Setup** > **Paper Size** or **Paper Type** on the control panel.
- 2 Select the tray and the option you want.
- 3 Press **OK** to save the selection.



- The settings set from the machine driver override the settings on the control panel.
 - a** To print from an application, open an application and start the print menu.
 - b** Open **Printing Preferences** (see "Opening printing preferences" on page 52).
 - c** Press the **Paper** tab and select an appropriate paper type.
- If you want to use special-sized paper such as billing paper, select the **Paper** tab > **Size** > **Edit...** and set **Custom Paper Size Settings** in the **Printing Preferences** (see "Opening printing preferences" on page 52).

- Curled or rolled paper
- Torn paper
- Remove all staples and paper clips before loading.
- Make sure any glue, ink, or correction fluid on the paper is completely dry before loading.
- Do not load originals that include different sizes or weights of paper.
- Do not load booklets, pamphlets, transparencies, or documents with other unusual characteristics.



Preparing originals type

- Do not load paper smaller than 142 x 148 mm (5.6 x 5.8 inches) or larger than 216 x 356 mm (8.5 x 14 inches).
- Do not attempt to load the following types of paper, in order to prevent paper jam, low print quality and machine damage.
 - Carbon-paper or carbon-backed paper
 - Coated paper
 - Onion skin or thin paper
 - Wrinkled or creased paper



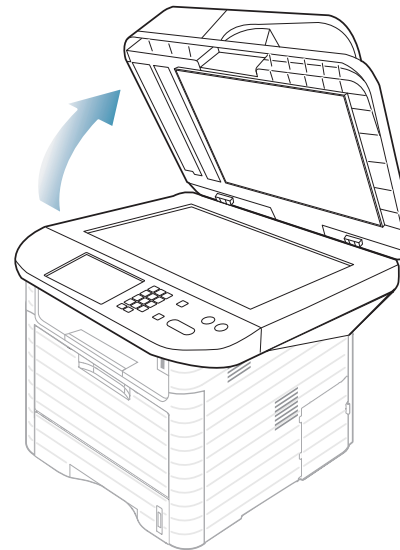
Loading originals

You can use the scanner glass or the document feeder to load an original for copying, scanning, and sending a fax.

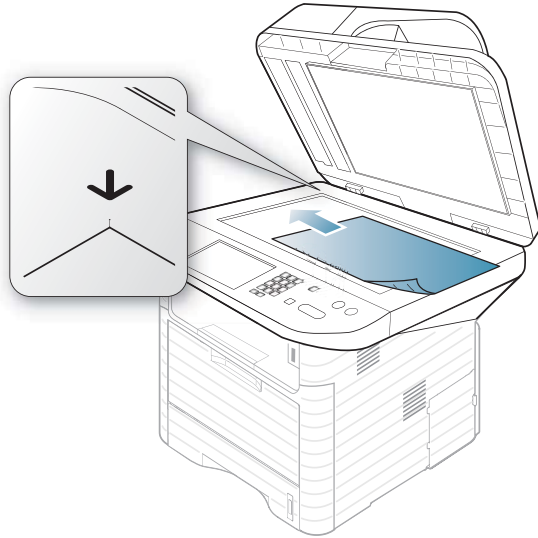
On the scanner glass

Using the scanner glass, you can copy or scan originals. You can get the best scan quality, especially for colored or gray-scaled images. Make sure that no originals are in the document feeder. If an original is detected in the document feeder, the machine gives it priority over the original on the scanner glass.

- 1 Lift and open the scanner lid.



- 2** Place the original face down on the scanner glass. Align it with the registration guide at the top left corner of the glass.



- 3** Close the scanner lid.



- Leaving the scanner lid open while copying may affect copy quality and toner consumption.
- Dust on the scanner glass may cause black spots on the printout. Always keep it clean (see "Cleaning the machine" on page 88).
- If you are copying a page from a book or magazine, lift the scanner lid until its hinges are caught by the stopper and then close the lid. If the book or magazine is thicker than 30 mm, start copying with the scanner lid open.

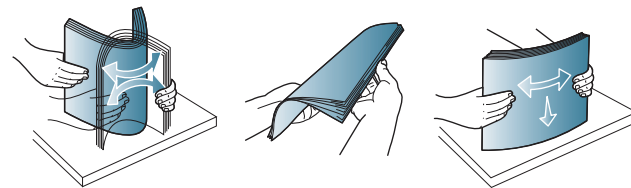


- Be careful not to break the scanner glass. You may get hurt.
- Do not put hands while closing the scanner lid. The scanner lid may fall on your hands and get hurt.
- Do not look the light from inside of the scanner while copying or scanning. It is harmful to eyes.

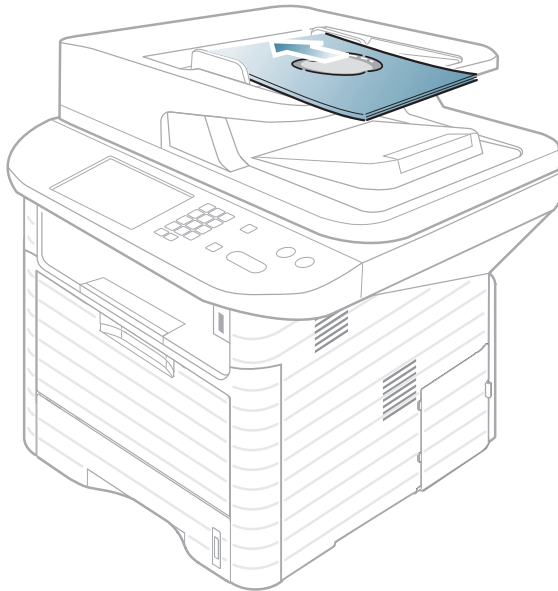
In the document feeder

Using the document feeder, you can load up to 50 sheets of paper (75 g/m², 20 lbs bond) for one job.

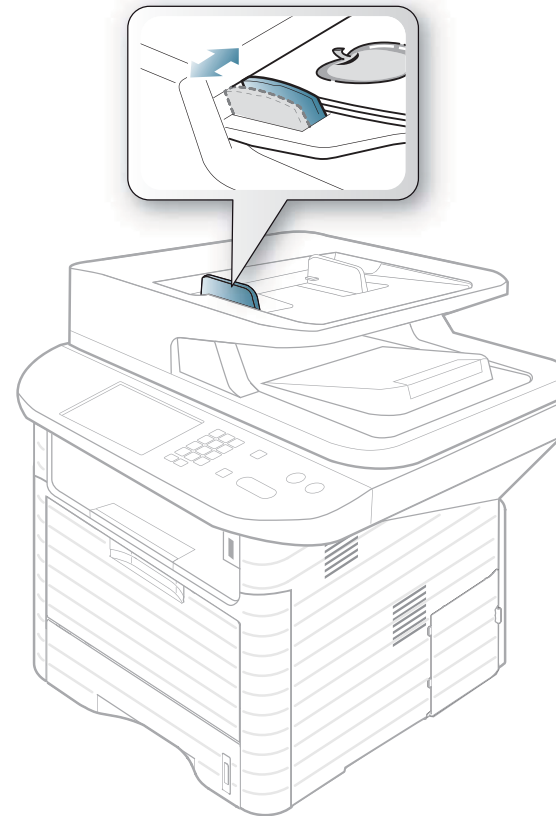
- 1** Flex or fan the edge of the paper stack to separate the pages before loading originals.



- 2** Load the original face up into the document feeder. Make sure that the bottom of the original stack matches the paper size marked on the document input tray.



- 3** Adjust the document feeder width guides to the paper size.



Dust on the document feeder glass may cause black lines on the printout. Always keep the glass clean (see "Cleaning the machine" on page 88).



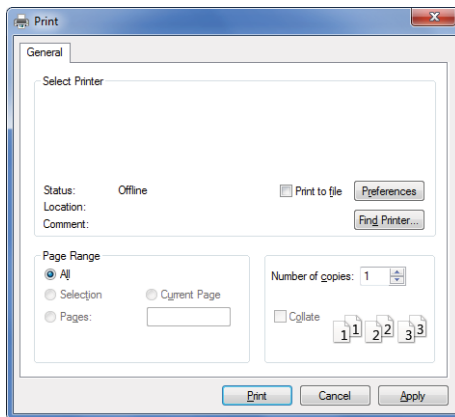
Printing



If you are a Macintosh, Linux, or Unix OS user, refer to the Advanced Guide.

The following **Printing Preferences** window is for Notepad in Windows 7.

- 1 Open the document you want to print.
- 2 Select **Print** from the **File** menu.
- 3 Select your machine from the **Select Printer** list.



4

The basic print settings including the number of copies and print range are selected within the **Print** window.



To take advantage of the advanced printing features, click **Properties** or **Preferences** from the Print window (see "Opening printing preferences" on page 52).



5

To start the print job, click **OK** or **Print** in the **Print** window.



Canceling a print job





If the print job is waiting in the print queue or print spooler, cancel the job as follows:

- You can access this window by simply double-clicking the machine icon () in the Windows task bar.
- You can also cancel the current job by pressing  (**Stop/Clear**) on the control panel.



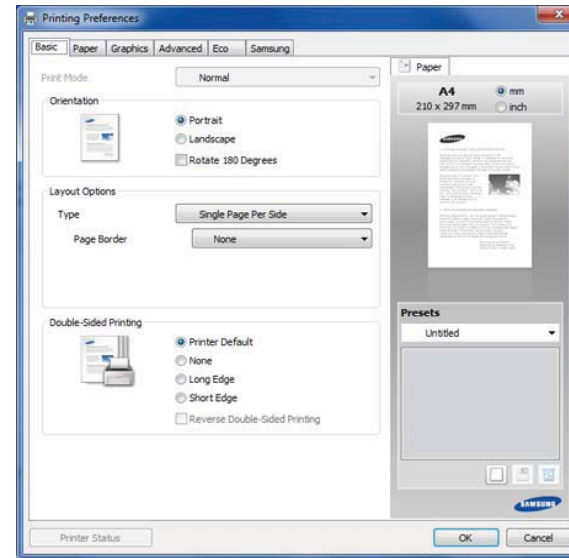
Opening printing preferences



- The **Printing Preferences** window that appears in this user's guide may differ depending on the machine in use. However, the composition of the **Printing Preferences** window is similar.
- When you select an option in **Printing Preferences**, you may see a warning mark  or . An  mark means you can select that certain option but it is not recommended, and an  mark means you cannot select that option due to the machine's setting or environment.

- 1 Open the document you want to print.
- 2 Select **Print** from the file menu. The **Print** window appears.
- 3 Select your machine from the **Select Printer**.

4 Click **Properties** or **Preferences**.



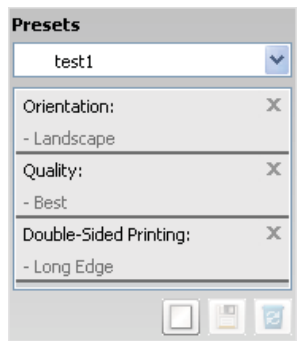
You can check the machine's current status pressing the **Printer Status** button (see Advanced Guide).

Using a favorite setting

The **Presets** option, which is visible on each preferences tab except for the **Samsung** tab, allows you to save the current preferences for future use.

To save a **Presets** item, follow these steps:

- 1 Change the settings as needed on each tab.
- 2 Enter a name for the item in the **Presets** input box.



- 3 Click (**Add**). When you save **Presets**, all current driver settings are saved.



Select more options and click (**Update**), settings will be added to the Presets you made. To use a saved setting, select it from the **Presets** drop-down list. The machine is now set to print according to the settings you have selected.

To delete saved settings, select it from the **Presets** drop-down list and click (**Delete**).

You can also restore the printer driver's default settings by selecting **Default Preset** from the **Presets** drop-down list.



Using help

Click the option you want to know on the **Printing Preferences** window and press **F1** on your keyboard.



Eco printing

The **Eco** function cuts toner consumption and paper usage. You can configure **Eco** function to adjust your paper savings and save the setting you want to use.

If you press the **Eco** button from the control panel, eco mode is enabled.

Setting eco mode on the control panel



- The settings set from the machine's driver override the settings on the control panel.
- Accessing menus may differ from model to model (see "Accessing the menu" on page 29).
- It may be necessary to press **OK** to navigate to lower-level menus for some models.

1

Select  (**Menu**) > **System Setup** > **Machine Setup** > **Eco Settings** on the control panel.

2

Select the option you want and press **OK**.

- **Default Mode:** Select this to turn on or off the eco mode. (Duplex (long edge)/Toner save/2-up/Skip blank pages)
 - **Off:** Set the eco mode off.
 - **On:** Set the eco mode on.




If you set the eco mode on with a password from the SyncThru™ Web Service (**Settings** tab > **Machine Settings** > **System** > **Eco** > **Settings**), the **On force** message appears. You have to enter the password to change the eco mode status.

- **Change Template:** Follow the settings from SyncThru™ Web Service. Before you select this item, you must set the eco function in SyncThru™ Web Service > **Settings** tab > **Machine Settings** > **System** > **Eco** > **Settings**.

3

Press **OK** to save the selection.

Setting eco mode on the driver

Open the Eco tab to set eco mode. When you see the eco image () , that means the eco mode is currently enabled.

► Eco options

- **Printer Default:** Follows the settings from the machine's control panel.
- **None:** Disables eco mode.
- **Eco Printing:** Enables eco mode. Activate the various eco items you want to use.
- **Password:** If the administrator fixed to enable the eco mode, you have to enter the password to change the status.

► Result simulator

Result Simulator shows the results of reduced emission of carbon dioxide, used electricity, and the amount of saved paper in accordance with the settings you selected.




- The results are calculated on the basis that the total number of printed paper is one hundred without a blank page when the eco mode is disabled.
- Referr to the calculation coefficient about CO₂, energy, and paper from **IEA**, the index of Ministry of Internal Affairs and Communication of Japan and www.remanufacturing.org.uk. Each model has a different index.
- The power consumption in printing mode refers to the average printing power consumption of this machine.


- The actual saved or reduced amount may differ depending on the operating system used, computing performance, application software, connection method, media type, media size, job complexity, etc.



Basic copy

- 1 Select  (copy) on the control panel.
- 2 Place a single document face down on the document glass, or load the documents face up into the document feeder (see "Loading originals" on page 48).
- 3 If you want to customize the copy settings including **Reduce/Enlarge, Darkness, Contrast, Original Type** and more by using the control panel buttons (see "Changing the settings for each copy" on page 57).
- 4 Enter the number of copies using the arrow or number keypad, if necessary.
- 5 Press **Start**.




If you need to cancel the copying job during the operation, press  (**Stop/Clear**) and the copying will stop.



Changing the settings for each copy




Your machine provides default settings for copying so that you can quickly and easily make a copy. However, if you want to change the options for each copy, use the copy function buttons on the control panel.



- If you press  (**Stop/Clear**) while setting the copy options, all of the options you have set for the current copy job will be canceled and returned to their default status. Or, they will automatically return to their default status after the machine completes the copy in progress.
- Accessing menus may differ from model to model (see "Accessing the menu" on page 29).
- It may be necessary to press **OK** to navigate to lower-level menus for some models.




Darkness

If you have an original containing faint marking and dark images, you can adjust the brightness to make a copy that is easier to read.

- 1 Select  (copy) >  (**Menu**) > **Copy Feature** > **Darkness** on the control panel.
- 2 Select the option you want and press **OK**.
For example, the **Light+5** being the lightest, and the **Dark+5** being the darkest.
- 3 Press  (**Stop/Clear**) to return to ready mode.



Contrast

Set this parameter to adjust the contrast between light and dark.

- 1 Select  (copy) >  (**Menu**) > **Copy Feature** > **Contrast** on the control panel.
- 2 Select the option you want and press **OK**.
For example, the **Light+5** being the lightest, and the **Dark+5** being the darkest.
- 3 Press  (**Stop/Clear**) to return to ready mode.


Original Type

The original type setting is used to improve the copy quality by selecting the document type for the current copy job.

- 1 Select  (copy) >  (**Menu**) > **Copy Feature** > **Original Type** on the control panel.
- 2 Select the option you want and press **OK**.
 - **Text:** Use for originals containing mostly text.
 - **Text/Photo:** Use for originals with mixed text and photographs.






If texts in the printout is blurry, select **Text** to get the clear texts.

- **Photo:** Use when the originals are photographs.
- 3 Press  (**Stop/Clear**) to return to ready mode.




Reduced or enlarged copy

You can reduce or enlarge the size of a copied image from 25% to 400% when you copy original documents from the scanner glass.

► To select from the predefined copy sizes

- 1 Select  (copy) >  (Menu) > **Copy Feature** > **Reduce/Enlarge** on the control panel.
- 2 Select the option you want and press **OK**.
- 3 Press  (**Stop/Clear**) to return to ready mode.

► To scale the copy by directly entering the scale rate

- 1 Select  (copy) >  (Menu) > **Copy Feature** > **Reduce/Enlarge** > **Custom** on the control panel.
- 2 Enter the copy size you want using the numeric keypad.
- 3 Press **OK** to save the selection.
- 4 Press  (**Stop/Clear**) to return to ready mode.



When you make a reduced copy, black lines may appear at the bottom of your copy.



ID card copying

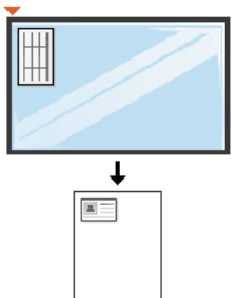
Your machine can print 2-sided originals on one sheet.

The machine prints one side of the original on the upper half of the paper and the other side on the lower half without reducing the size of the original. This feature is helpful for copying a small-sized item such as business card.



The original must be placed on the scanner glass to use this feature.

- 1 Press **ID Copy** on the control panel.
- 2 Place the front side of an original facing down on the scanner glass where arrows indicate as shown. Then, close the scanner lid.

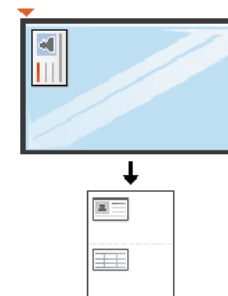


- 3 **Place Front Side and Press [Start]** appears on the display.

- 4 Press **Start**.

Your machine begins scanning the front side and shows **Place Back Side and Press [Start]**.

- 5 Turn the original over and place it on the scanner glass where arrows indicate as shown. Then, close the scanner lid.



- 6 Press **Start**.





- If you do not press the **Start** button, only the front side will be copied.
- If the original is larger than the printable area, some portions may not be printed.



Scanning using the control panel

This is the normal and usual procedure for scanning originals.



- Accessing menus may differ from model to model.
- It may be necessary to press **OK** to navigate to lower-level menus for some models.

For USB connected machine

This is a basic scanning method for USB-connected machine.

1 Place a single document face down on the document glass, or load the documents face up into the document feeder (see "Loading originals" on page 48).

2 Select  (scan) > **Scan to PC** > **Local PC** on the control panel.



If you see **Not Available** message, check the port connection, or select **Enable Scan from Device Panel** in **Samsung Easy Printer Manager** > **Switch to advanced mode.** > **Scan to PC Settings.**

3

Select the application program you want and press **OK**.

Default setting is **My Documents**.



You can add or delete the folder where the scanned file is saved in **Samsung Easy Printer Manager** > **Switch to advanced mode.** > **Scan to PC Settings.**

4

Select the option you want and press **OK**.



- **Scan Format** appears only when you selected the Scan destination to **My Documents**.
- If you want to scan from the default setting, press **Start**.

5

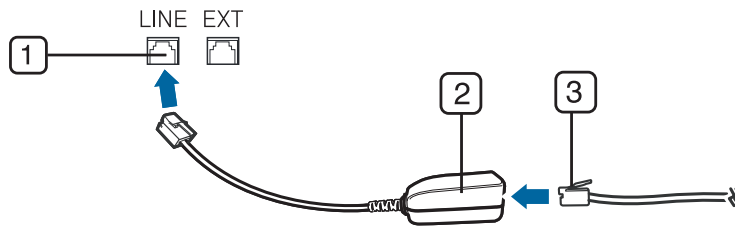
Scanning begins.



- Scanned image is saved in computer's **My Documents** folder.
- You can use Twain driver to scan quickly in **Scan Assistant** program (see Advanced Guide).



- You cannot use this machine as a fax via the internet phone. For more information ask your internet service provider.
- We recommend using traditional analog phone services (PSTN: Public Switched Telephone Network) when connecting telephone lines to use a fax machine. If you use other Internet services (DSL, ISDN, VoIP), you can improve the connection quality by using the Micro-filter. The Micro-filter eliminates unnecessary noise signals and improves connection quality or Internet quality. Since the DSL Micro-filter is not provided with the machine, contact your Internet service provider for use on DSL Micro-filter.



- 1 Line port
- 2 Micro filter
- 3 DSL modem / Telephone line



Preparing to fax


Before you send or receive a fax, you need to connect the supplied line cord to your telephone wall jack. Refer to the Quick Installation Guide how to make a connection. The method of making a telephone connection is different from one country to another.



Sending a fax




When you place the originals, you can use either the document feeder or the scanner glass. If the originals are placed on both the document feeder and the scanner glass, the machine will read the originals on the document feeder first, which has higher priority in scanning.

- 1 Place a single document face down on the document glass, or load the documents face up into the document feeder (see "Loading originals" on page 48).
- 2 Select  (fax) on the control panel.
- 3 Adjust the resolution and the darkness to suit your fax needs (see "Adjusting the document settings" on page 66).


- 4 Enter the receiving fax machine's number.
- 5 Press **Start** on the control panel. The machine starts to scan and send a fax to destinations.



- If you want to send fax directly from your computer, use **Samsung Network PC Fax** (see Advanced Guide).
- When you want to cancel a fax job, press  (**Stop/Clear**) before the machine start transmission.
- If you used the scanner glass, the machine shows the message asking to place another page.

Sending a fax manually



This method is sending a fax using **On Hook Dial** on the control panel. If your machine is SCX-4833HD or SCX-5637HR, you can send a fax using the handset.

- 1 Place a single document face down on the document glass, or load the documents face up into the document feeder (see "Loading originals" on page 48).
- 2 Select  (fax) on the control panel.
- 3 Adjust the resolution and the darkness to suit your fax needs (see "Adjusting the document settings" on page 66).

- 4 Press **On Hook Dial** on the control panel or lift the handset.
- 5 Enter a fax number using the number keypad on the control panel.
- 6 Press **Start** on the control panel when you hear a high-pitched fax signal from the remote fax machine.

Sending a fax to multiple destinations

You can use the Multiple Send feature, which allows you to send a fax to multiple locations. Originals are automatically stored in memory and sent to a remote station. After transmission, the originals are automatically erased from memory.

- 1 Place a single document face down on the document glass, or load the documents face up into the document feeder (see "Loading originals" on page 48).
- 2 Select  (fax) on the control panel.
- 3 Adjust the resolution and the darkness to suit your fax needs (see "Adjusting the document settings" on page 66).
- 4 Select  (**Menu**) > **Fax Feature** > **Multi Send** on the control panel.

- 5 Enter the number of the first receiving fax machine and press **OK**.

You can press speed dial numbers or select group dial number using **Address book** button (see Advanced Guide).

- 6 Enter the second fax number and press **OK**.

The display asks you to enter another fax number to send the document.

- 7 To enter more fax numbers, press **OK** when **Yes** appears and repeat steps 5 and 6. You can add up to 10 destinations.



Once you entered a group dial number, you cannot enter another group dial numbers anymore.

- 8 When you have finished entering fax numbers, select **No** at the **Another No.?** prompt and press **OK**.

The machine begins sending the fax to the numbers you entered in the order in which you entered them.



Receiving a fax

Your machine is preset Fax mode at the factory. When you receive a fax, the machine answers the call on a specified number of rings and automatically receives the fax.



Adjusting the document settings

Before starting a fax, change the following settings according to your original's status to get the best quality.



- Accessing menus may differ from model to model (see "Accessing the menu" on page 29).
- It may be necessary to press **OK** to navigate to lower-level menus for some models.



Resolution

The default document settings produces good results when using typical text-based originals. However, if you send originals that are of poor quality, or contain photographs, you can adjust the resolution to produce a higher quality fax.



The resolution setting is applied to the current fax job. To change the default setting (see Advanced Guide).

1

Select  (fax) >  (**Menu**) > **Fax Feature** > **Resolution** on the control panel.

2

Select the option you want and press **OK**.

- **Standard:** Originals with normal sized characters.
- **Fine:** Originals containing small characters or thin lines or originals printed using a dot-matrix printer.
- **Super Fine:** Originals containing extremely fine detail. **Super Fine** mode is enabled only if the machine with which you are communicating also supports the Super Fine resolution.



- For memory transmission, **Super Fine** mode is not available. The resolution setting is automatically changed to **Fine**.
- When your machine is set to **Super Fine** resolution and the fax machine with which you are communicating does not support **Super Fine** resolution, the machine transmits using the highest resolution mode supported by the other fax machine.

- **Photo Fax:** Originals containing shades of gray or photographs.
- **Color Fax:** Original with colors.



- Memory transmission is not available in this mode.
- You can only sending a color fax if the machine you are communicating with supports color fax reception and you send the fax manually.



3 Press  (**Stop/Clear**) to return to ready mode.

Darkness


You can select the degree of darkness of the original document.



The darkness setting is applied to the current fax job. To change the default setting (see Advanced Guide).

1 Select  (fax) >  (**Menu**) > **Fax Feature** > **Darkness** on the control panel.

2 Select a darkness level you want.

3 Press  (**Stop/Clear**) to return to ready mode.

This chapter explains how to use a USB memory device with your machine.



About USB memory

USB memory devices are available with a variety of memory capacities to give you more room for storing documents, presentations, downloaded music and videos, high resolution photographs or whatever other files you want to store or move.

You can do the following on your machine using a USB memory device.

- Scan documents and save them on a USB memory device
- Print data stored on a USB memory device
- Restore backup files to the machine's memory
- Format the USB memory device
- Check the available memory space

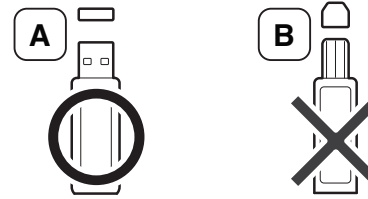


Plugging in a USB memory device

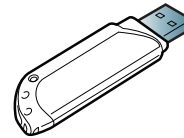
The USB memory port on the front of your machine is designed for USB V1.1 and USB V2.0 memory devices. Your machine supports USB memory devices with FAT16/FAT32 and sector size of 512 bytes.

Check your USB memory device's file system from your dealer.

You must use only an authorized USB memory device with an A plug type connector.



Use only a metal-shielded USB memory device.



Only use a USB memory device that has obtained compatibility certification; otherwise, the machine might not recognize it.



- Do not remove the USB memory device while the machine is in operation or writing to or reading from USB memory. The machine warranty does not cover damage caused by user's misuse.
- If your USB memory device has certain features such as security settings and password settings, your machine may not automatically detect it. For details about these features, see the user's guide of the USB memory device.

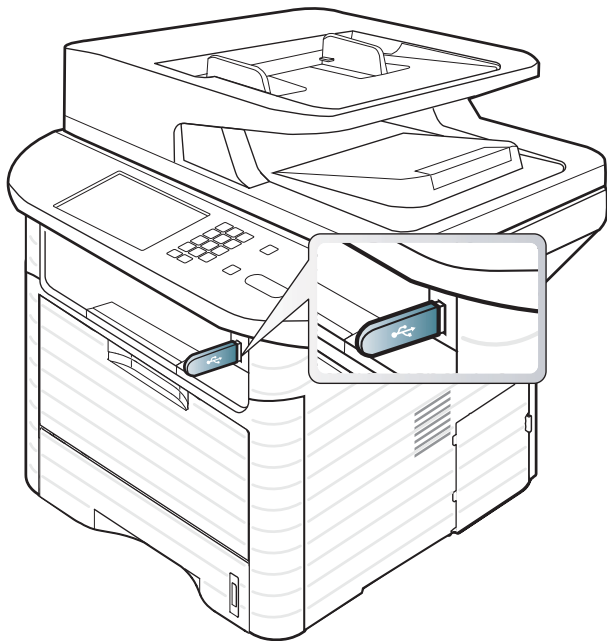


Scanning to a USB memory device




- Accessing menus may differ from model to model (see "Accessing the menu" on page 29)
- It may be necessary to press **OK** to navigate to lower-level menus for some models.

You can scan a document and save the scanned image onto a USB memory device.





Scanning

- 1** Insert a USB memory device into the USB memory port on your machine.
- 2** Place a single document face down on the document glass, or load the documents face up into the document feeder (see "Loading originals" on page 48).
- 3** Select  (scan) > **Scan to USB** > **OK** on the control panel.
The machine begins scanning


After scanning is complete, you can remove the USB memory device from the machine.

Customizing Scan to USB

You can specify image size, file format, or color mode for each scanning to USB job.

- 1 Select  (scan) >  (**Menu**) > **Scan Feature** > **USB Feature** on the control panel.
- 2 Select the setting option you want appears.
 - **Scan Size:** Sets the image size.
 - **Original Type:** Sets the original document's type.
 - **Resolution:** Sets the image resolution.
 - **Color Mode:** Sets the color mode. If you select **Mono** in this option, you cannot select JPEG in **File Format**.
 - **File Format:** Sets the file format in which the image is to be saved. When you select **TIFF** or **PDF**, you can select to scan multiple pages. If you select **JPEG** in this option, you cannot select **Mono** in **Color Mode**.
 - **Duplex:** Sets the duplex mode.
 - **Darkness:** Sets the brightness level to scan an original.
 - **Contrast:** Sets the contrast level to scan an original.
- 3 Select the desired status you want and press **OK**.

4 Repeat steps 2 and 3 to set other setting options.

5 Press  (**Stop/Clear**) to return to ready mode.

You can change the default scan settings. Refer to the Advanced Guide.




Printing from a USB memory device

You can directly print files stored on a USB memory device. You can print TIFF, BMP, JPEG and PRN files.

File types supported by Direct Print option.

- PRN: Only files created by provided driver with your machine are compatible.
- PRN files can be created by selecting the Print to file check box when you print a document. The document will be saved as a PRN file, rather than printed on paper. Only PRN files created in this fashion can be printed directly from USB memory. Refer to the Advanced Guide to learn how to create a PRN file.
- BMP: BMP Uncompressed
- TIFF: TIFF 6.0 Baseline
- JPEG: JPEG Baseline

To print a document from a USB memory device




- 1 Insert a USB memory device into the USB memory port on your machine, and then press **Direct USB**.
- 2 Select **USB print**.
- 3 Select the folder or file you want and press **OK**.
If you see [+] or [D] in the front of a folder name, there are one or more files or folders in the selected folder.
- 4 Select the number of copies to be printed or enter the number.
- 5 Press **OK** or **Start** to start printing the selected file.
After printing the file, the display asks if you want to print another job.
- 6 Press **OK** when **Yes** appears to print another job, and repeat from step 2.
Otherwise, press the left/right arrow to select **No** and press **OK**.
- 7 Press  (**Stop/Clear**) to return to ready mode.






Backing up data

Data in the machine's memory can be accidentally erased due to power failure or storage failure. Backup helps you protect the system settings by storing them as backup files on a USB memory device.

Backing up data

- 1 Insert the USB memory device into the USB memory port on your machine.
- 2 Select  (scan) >  (**Menu**) > **System Setup** > **Machine Setup** > **Export Setting** on the control panel.
- 3 Select **Setup Data** or **Address Book** and press **OK**.
The data is backed up to the USB memory.
- 4 Press  (**Stop/Clear**) to return to ready mode.

Restoring data

- 1 Insert the USB memory device on which the backup data is stored in to the USB memory port.
- 2 Select  (scan) >  (**Menu**) > **System Setup** > **Machine Setup** > **Import Setting** on the control panel.
- 3 Select **Setup Data** or **Address Book** and press **OK**.
- 4 Select the file you want to restore and press **OK**.
- 5 Press **OK** when **Yes** appears to restore the backup file to the machine.
- 6 Press  (**Stop/Clear**) to return to ready mode.




Managing USB memory

You can delete image files stored on a USB memory device one by one or all at once by reformatting the device.




After deleting files or reformatting a USB memory device, files cannot be restored. Therefore, confirm that you no longer need the data before deleting it.

Deleting an image file


- 1 Insert a USB memory device into the USB memory port on your machine, and then press **Direct USB**.
- 2 Select **File Manage** > **Delete** and press **OK**.
- 3 Select the file you want to delete and press **OK**.
If you see [+] in the front of a folder name, there are one or more files or folders in the selected folder.
- 4 Select **Yes**.
- 5 Press  (**Stop/Clear**) to return to ready mode.

Formatting a USB memory device

- 1 Insert a USB memory device into the USB memory port on your machine, and then press **Direct USB**.
- 2 Select **File Manage > Format** and press **OK**.
- 3 Select **Yes**.
- 4 Press  (**Stop/Clear**) to return to ready mode.

Viewing the USB memory status

You can check the amount of memory space available for scanning and saving documents.

- 1 Insert a USB memory device into the USB memory port on your machine, and then press **Direct USB**.
- 2 Select **Check Space**.
- 3 The available memory space appears on the display.
- 4 Press  (**Stop/Clear**) to return to ready mode.



3. Maintenance

This chapter provides information about purchasing supplies, accessories and maintenance parts available for your machine.

- **Ordering supplies and accessories** 75
- **Available supplies** 76
- **Available accessories** 77
- **Available maintenance parts** 79
- **Redistributing toner** 80
- **Replacing the toner cartridge** 82
- **Upgrading a memory module** 84
- **Monitoring the supplies life** 86
- **Setting the toner low alert** 87
- **Cleaning the machine** 88



Available accessories may differ from country to country. Contact your sales representatives to obtain the list of available supplies, and maintenance parts.

To order Samsung-authorized supplies, accessories, and maintenance parts, contact your local Samsung dealer or the retailer where you purchased your machine. You can also visit www.samsung.com/supplies, and then select your country/region to obtain the contact information for service.

When supplies reach the end of their life spans, you can order the following types of supplies for your machine:

Type	Average yield ^a	Part name
Standard yield toner cartridge	Approx. 2,000 pages	MLT-D205S
High yield toner cartridge	Approx. 5,000 pages	MLT-D205L
Extra high yield toner cartridge ^b	Approx. 10,000 pages	MLT-D205E

a. Declared yield value in accordance with ISO/IEC 19752.

b. The toner cartridge is available only SCX-5637FR, SCX-5637HR or SCX-5737FW.



Depending on the options and job mode used, the toner cartridge's lifespan may differ.



When purchasing new toner cartridges or other supplies, these must be purchased in the same country as the machine you are using. Otherwise, new toner cartridges or other supplies will be incompatible with your machine due to different configurations of toner cartridges and other supplies according to the specific country conditions.




Samsung does not recommend using non-genuine Samsung toner cartridge such as refilled or remanufactured toner. Samsung cannot guarantee non-genuine Samsung toner cartridge's quality. Service or repair required as a result of using non-genuine Samsung toner cartridges will not be covered under the machine's warranty.

You can purchase and install accessories to enhance your machine's performance and capacity.



Some features and optional goods may not be available depending on model or country (see "Features by models" on page 7).

Accessory	Function	Part name
Memory module	Extends your machine's memory capacity.	<ul style="list-style-type: none">• SCX-4833FD/SCX-4835FD/SCX-4833HD<ul style="list-style-type: none">- CLP-MEM201: 128 MB- CLP-MEM202: 256 MB• SCX-4833FR/SCX-4835FR SCX-563x Series/SCX-573x Series<ul style="list-style-type: none">- ML-MEM150: 128 MB- ML-MEM160: 256 MB- ML-MEM170: 512 MB
Tray 2	If you are experiencing frequent paper supply problems, you can attach an additional tray.	ML-S3710A

Accessory	Function	Part name
IEEE 1284 Parallel Connector	<p>Allows you to use various interface.</p> <div data-bbox="533 407 1194 1037"><ul style="list-style-type: none">• When installing the printer driver with an IEEE1284 parallel connector, the machine might not be found and after installing the printer driver, only basic printing features are available.• If you want to check the machine's status or set the settings, connect the machine to a computer with a USB cable or a network.• If you use the IEEE 1284 parallel connector, you can not use the USB cable.</div>	ML-PAR100

To purchase maintenance parts, contact the source where you bought the machine. Replacing maintenance parts can be performed only by an authorized service provider, dealer, or the retailer where you bought the machine. The warranty does not cover the replacement of any maintenance parts once it has reached its "Average yield".

Maintenance parts are replaced at specific intervals to avoid print quality and paper feed problems resulting from worn parts, see table below. The purpose of which is to maintain your machine in top working condition. The maintenance parts below should be replaced when the life span of each item has been met.

parts	Average yield ^a
Document feeder rubber pad	Approx. 20,000 pages
Transfer roller	Approx. 100,000 pages
Fuser unit	Approx. 90,000 pages
Pickup roller	Approx. 90,000 pages
Retard roller	Approx. 60,000 pages

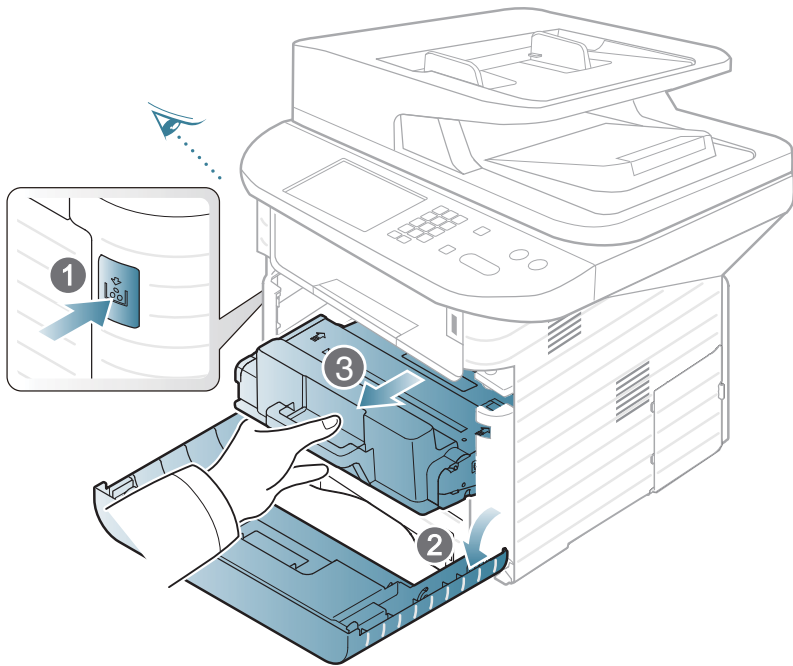
a. It will be affected by the operating system used, computing performance, application software, connecting method, media type, media size and job complexity.

When the toner cartridge is near the end of its life:

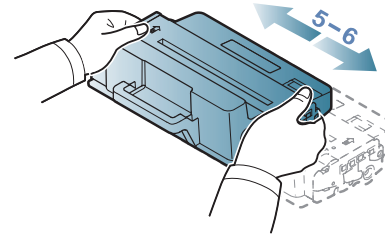
- White streaks or light printing occurs and/or density variation side to side.
- The **Status** LED blinks red.

If this happens, you can temporarily improve print quality by redistributing the remaining toner in the cartridge. In some cases, white streaks or light printing will still occur even after you have redistributed the toner.

- 1 Open the front cover and pull the toner cartridge out.



- 2 Thoroughly shake side to side the cartridge five or six times to distribute the toner evenly inside the cartridge.

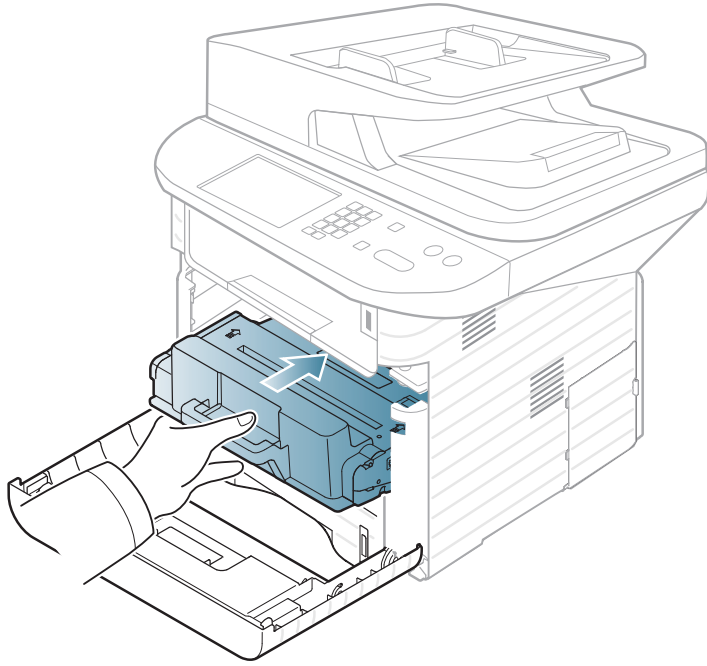


If toner gets on your clothing, wipe it off with a dry cloth and wash clothing in cold water: hot water sets toner into fabric.



Do not touch the green underside of the toner cartridge. Use the handle on the cartridge to avoid touching this area.

- 3 Hold the toner cartridge by the handle and slowly insert the cartridge into the opening in the machine.



- 4 Close the front cover. Ensure that the cover is securely closed.

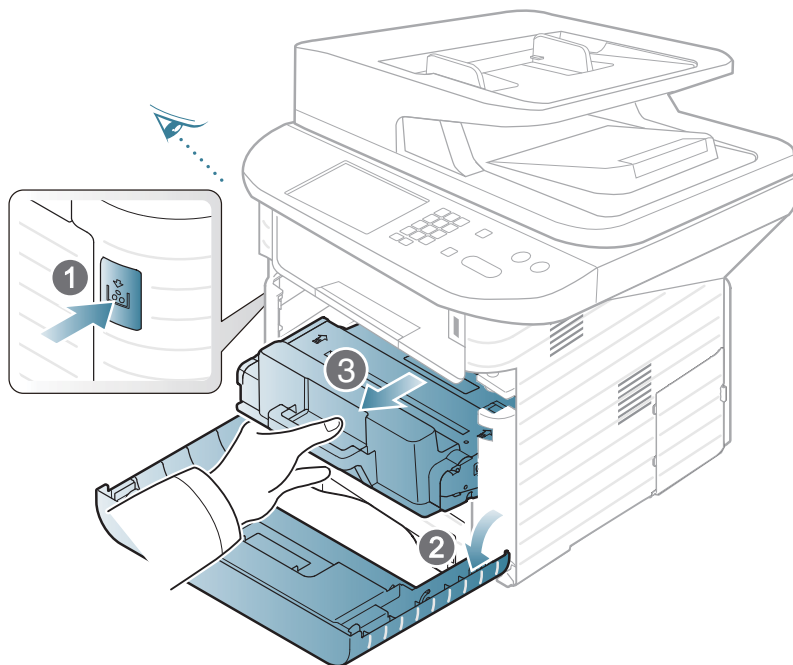
Replacing the toner cartridge



Click this link to open an animation about replacing a toner cartridge.

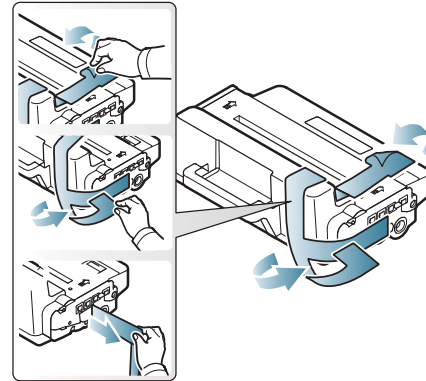
When a toner cartridge has reached the end of life, the machine will stop printing.

- 1 Open the front cover and pull the toner cartridge out.

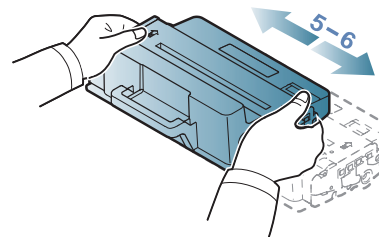


- 2 Remove the new toner cartridge from its bag.

- 3 Remove the label from the toner cartridge as shown below.



- 4 Thoroughly roll the cartridge five or six times to distribute the toner evenly inside the cartridge.



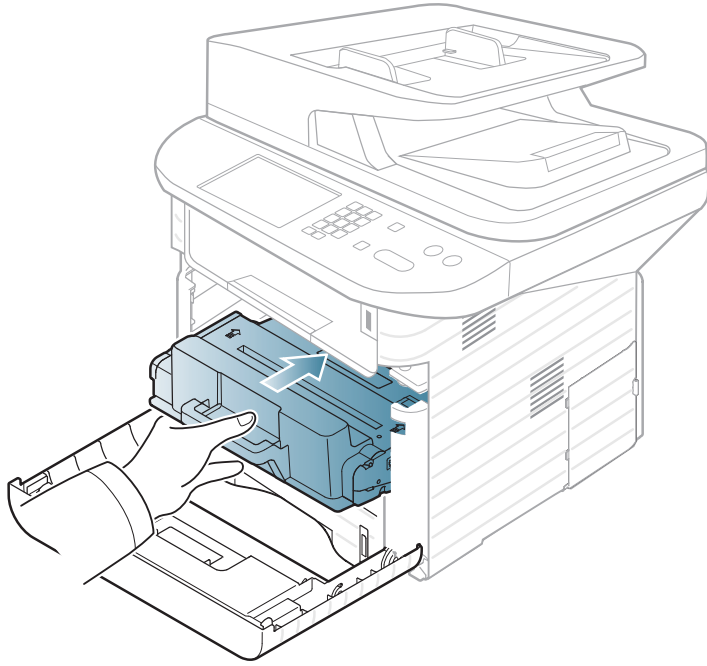
If toner gets on your clothing, wipe it off with a dry cloth and wash clothing in cold water; hot water sets toner into fabric.



Do not touch the green underside of the toner cartridge. Use the handle on the cartridge to avoid touching this area.

Replacing the toner cartridge

- 5 Hold the toner cartridge by the handle and slowly insert the cartridge into the opening in the machine.



- 6 Close the front cover. Make sure that the cover is securely closed.

Upgrading a memory module

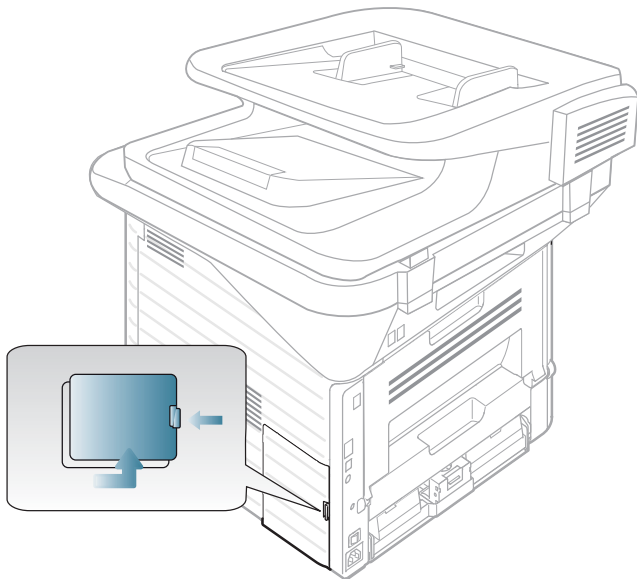
Your machine has a dual in-line memory module (DIMM). Use this memory module slot to install additional memory.

Order information is provided for additional memory module. (See "Available accessories" on page 77.)



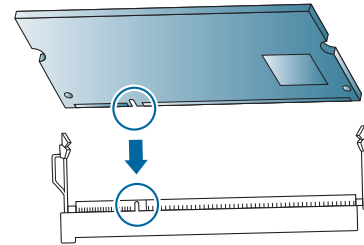
Installing a memory module

- 1 Turn the machine off and unplug all cables from the machine.
- 2 Grasp the control board cover and remove it.



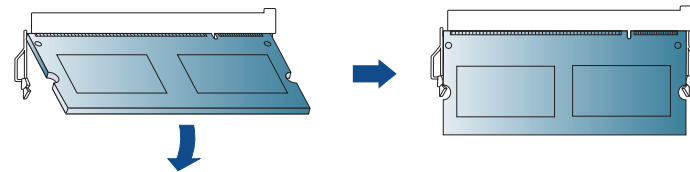
- 3 Remove the new memory module from its bag.

- 4 Holding the memory module by the edges, align the memory module on the slot at about a 30-degree tilt. Make sure that the notches of the module and the grooves on the slot fit each other.



The notches and grooves illustrated above may not match those on an actual memory module and its slot.

- 5 Press the memory module into the slot with care until you hear a 'click'.



Do not press the memory module strongly or the module may be damaged. If the module does not seem to fit into the slot properly, carefully try the previous procedure again.



Upgrading a memory module

- 6 Replace the control board cover.
- 7 Reconnect the power cord and machine cable and turn the machine on.

If you experience frequent paper jams or printing problems, check the number of pages the machine has printed or scanned. Replace the corresponding parts, if necessary.




- Accessing menus may differ from model to model (see "Accessing the menu" on page 29).
- It may be necessary to press **OK** to navigate to lower-level menus for some models.

- 1 Select  (**Menu**) > **System Setup** > **Maintenance** > **Supplies Life** on the control panel.
- 2 Select the option you want and press **OK**.
 - **Supplies Info**: Prints the supply information page.
 - **Total**: Displays the total number of pages printed.
 - **ADF Scan**: Displays the number of pages printed by using the document feeder.
 - **Platen Scan**: Displays the number of pages scanned by using scanner glass.
- 3 Press  (**Stop/Clear**) to return to ready mode.

If the amount of toner in the cartridge is low, a message or LED informing the user to change the toner cartridge appears. You can set the option for whether or not this message or LED appears.



Accessing menus may differ from model to model (see "Accessing the menu" on page 29)

- 1 Select  (**Menu**) > **System Setup** > **Maintenance** > **Toner Low Alert** on the control panel.
- 2 Select the option you want.
- 3 Press **OK** to save the selection.

If printing quality problems occur or if you use your machine in a dusty environment, you need to clean your machine regularly to keep it in the best printing condition and use your machine longer.



- Cleaning the cabinet of the machine with cleaning materials containing large amounts of alcohol, solvents, or other strong substances can discolor or distort the cabinet.
- If your machine or the surrounding area is contaminated with toner, we recommend you use a cloth or tissue dampened with water to clean it. If you use a vacuum cleaner, toner blows in the air and might be harmful to you.



Cleaning the outside

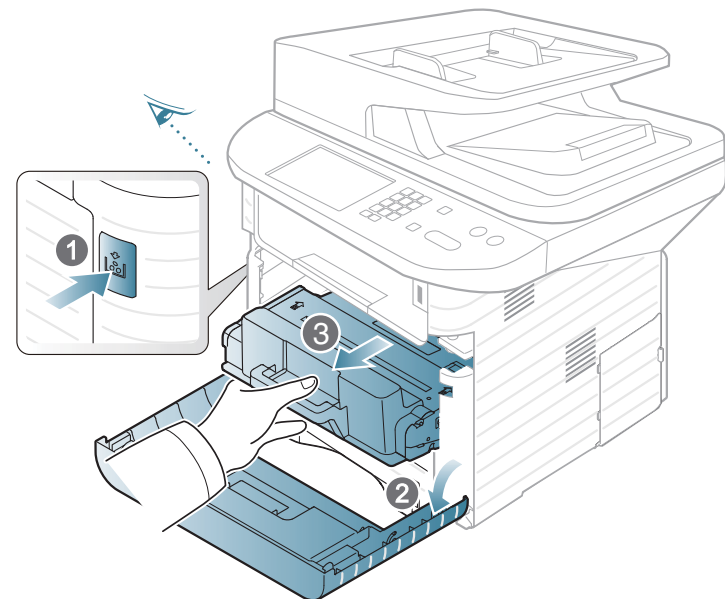
Clean the machine cabinet with a soft, lint-free cloth. Dampen the cloth slightly with water, but be careful not to let any water drip onto or into the machine.



Cleaning the inside

During the printing process, paper, toner, and dust particles can accumulate inside the machine. This buildup can cause print quality problems, such as toner specks or smearing. Cleaning the inside of the machine clears and reduces these problems.

- 1 Turn the machine off and unplug the power cord. Wait for the machine to cool down.
- 2 Open the front cover and pull the toner cartridge out. Set it on a clean flat surface.



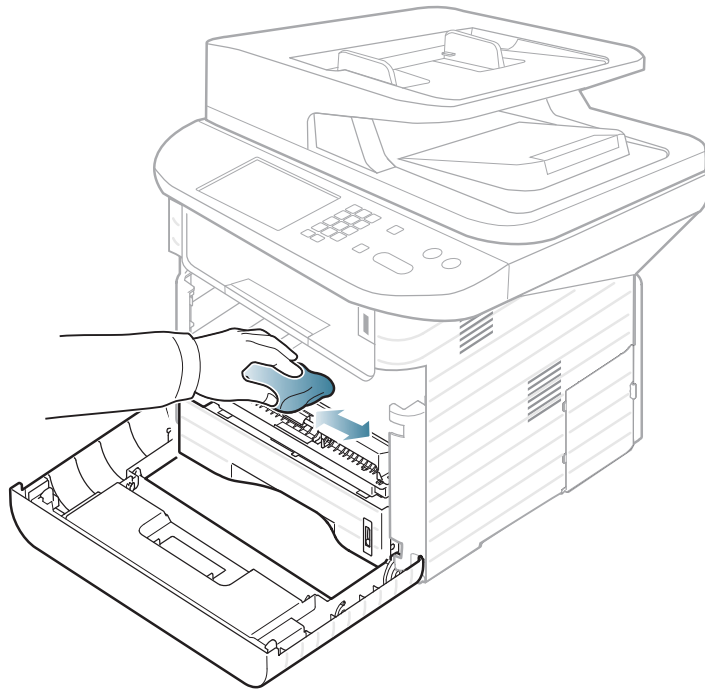


- To prevent damage to the toner cartridge, do not expose it to light for more than a few minutes. Cover it with a piece of paper, if necessary.
- Do not touch the green surface underside of the toner cartridge. Use the handle on the cartridge to avoid touching this area.



While cleaning the inside of the machine, be careful not to damage the transfer roller or any other inside parts. Do not use solvents such as benzene or thinner. Printing quality problems can occur and cause damage to the machine.

- 3 With a dry, lint-free cloth, wipe away any dust and spilled toner from the toner cartridge area.

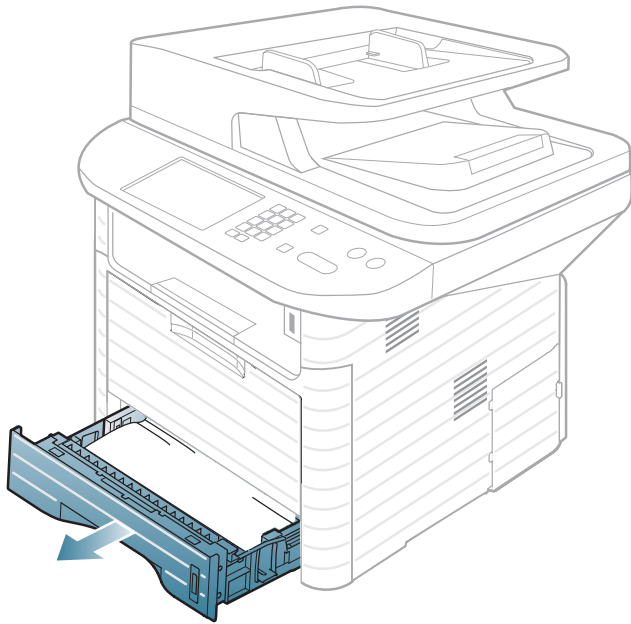


- 4 Reinsert the toner cartridge and close the front cover.

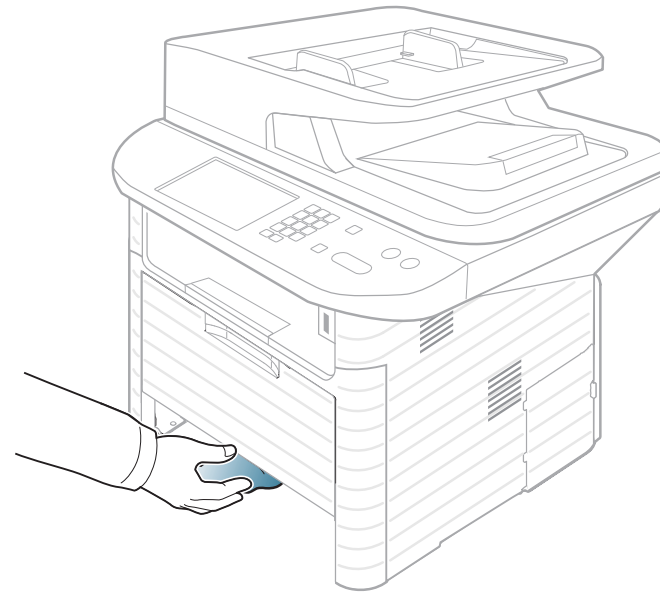


Cleaning the pickup roller

- 1 Turn the machine off and unplug the power cord. Wait for the machine to cool down.
- 2 Pull out tray 1.



- 3 Clean the pickup roller with a soft, lint-free cloth.



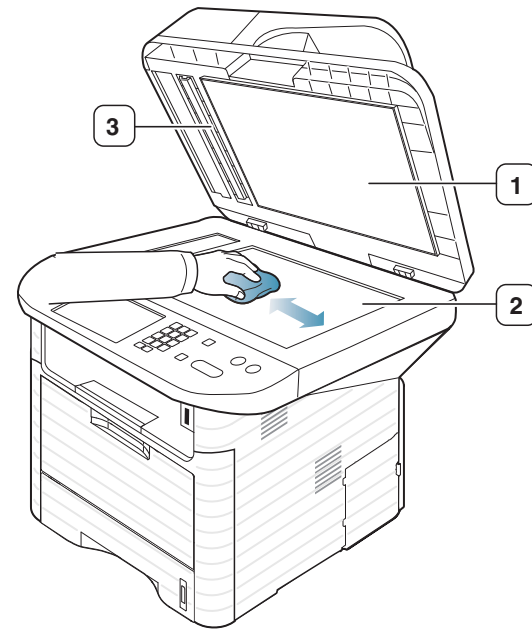
- 4 Insert the tray back into the machine.



Cleaning the scan unit

Keeping the scan unit clean helps ensure the best possible copies. We suggest that you clean the scan unit at the start of each day and during the day as needed.

- 1 Slightly dampen a soft, lint-free cloth or paper towel with water.
- 2 Lift and open the scanner lid.
- 3 Wipe the surface of the scanner glass until it is clean and dry.



- 1 Scanner lid
- 2 Scanner glass
- 3 White sheet

- 4 Wipe the underside of the scanner lid and white sheet until it is clean and dry.
- 5 Close the scanner lid.



4. Troubleshooting

This chapter gives helpful information for what to do if you encounter an error.

- **Tips for avoiding paper jams** 93
- **Clearing original document jams** 94
- **Clearing paper jams** 101
- **Understanding the status LED** 108
- **Understanding display messages** 110



This chapter gives helpful information for what to do if you encounter an error. If your machine has a display screen, check the message on the display screen first to solve the error.

If you cannot find a solution to your problem in this chapter, refer to the **Troubleshooting** chapter in the Advanced User's Guide.

If you cannot find a solution in the User's Guide or the problem persists, call for service.

By selecting the correct media types, most paper jams can be avoided. To avoid paper jams, refer to the following guidelines:

- Ensure that the adjustable guides are positioned correctly (see "Tray overview" on page 35).
- Do not overload the tray. Ensure that the paper level is below the paper capacity mark on the inside of the tray.
- Do not remove paper from the tray while your machine is printing.
- Flex, fan, and straighten paper before loading.
- Do not use creased, damp, or highly curled paper.
- Do not mix paper types in a tray.
- Use only recommended print media (see "Print media specifications" on page 125).

Clearing original document jams

When an original document jams in the document feeder, a warning message appears on the display.



To avoid tearing the document, remove the jammed document slowly and carefully.

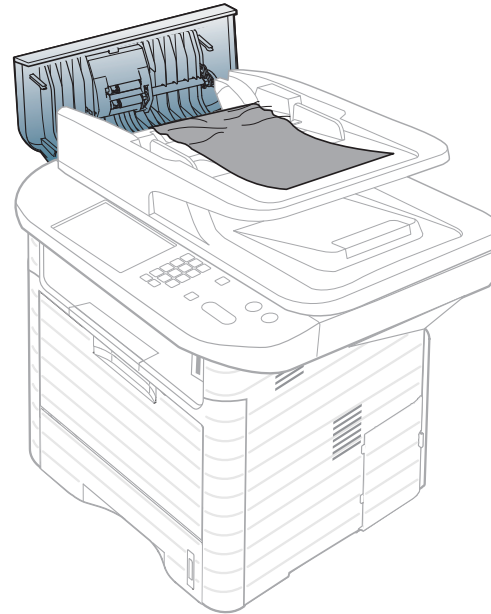


To prevent document jams, use the scanner glass for thick, thin or mixed paper-type originals.



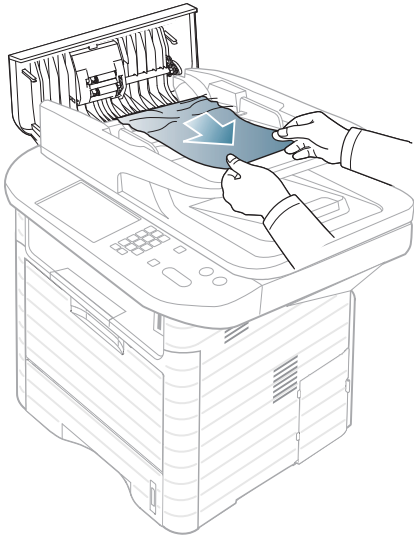
Original paper jam in front of scanner

- 1 Remove any remaining pages from the document feeder.
- 2 Open the document feeder cover.

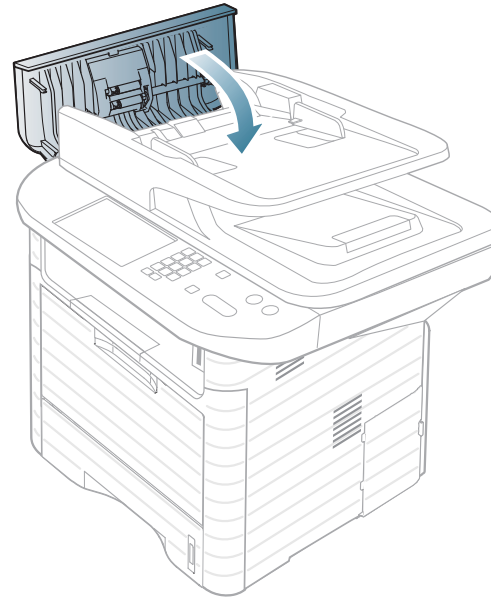


Clearing original document jams

3 Gently remove the jammed paper from the document feeder.



4 Close the document feeder cover.

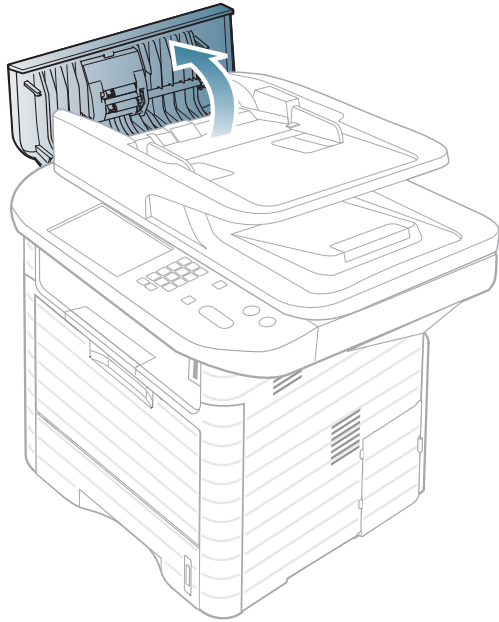


Clearing original document jams



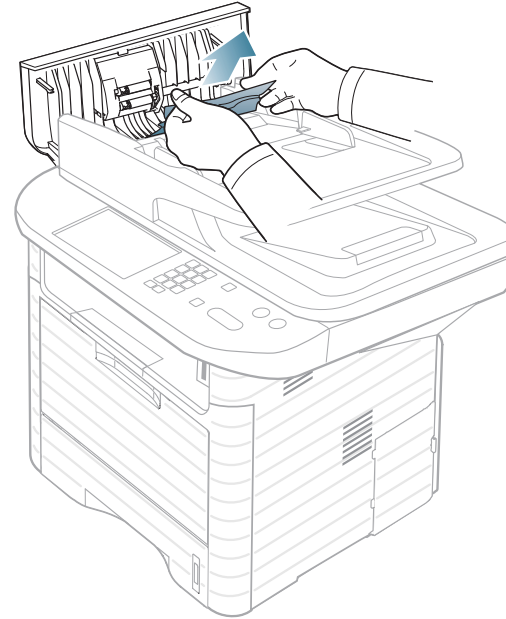
Original paper jam inside of scanner

- 1 Remove any remaining pages from the document feeder.
- 2 Open the document feeder cover.



3

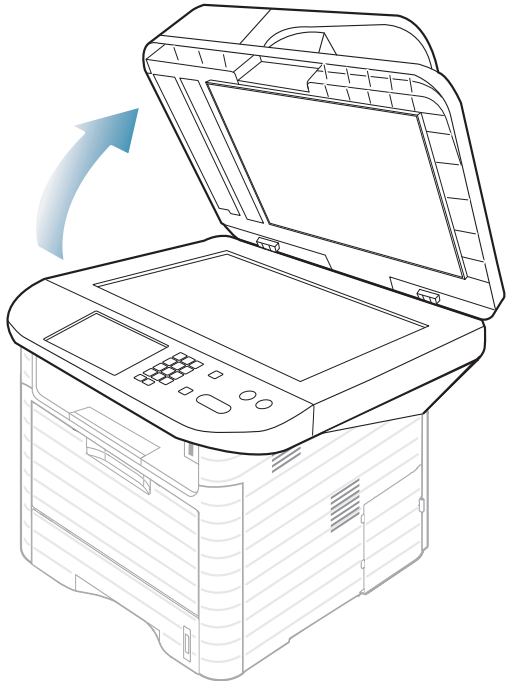
Gently remove the jammed paper from the document feeder.



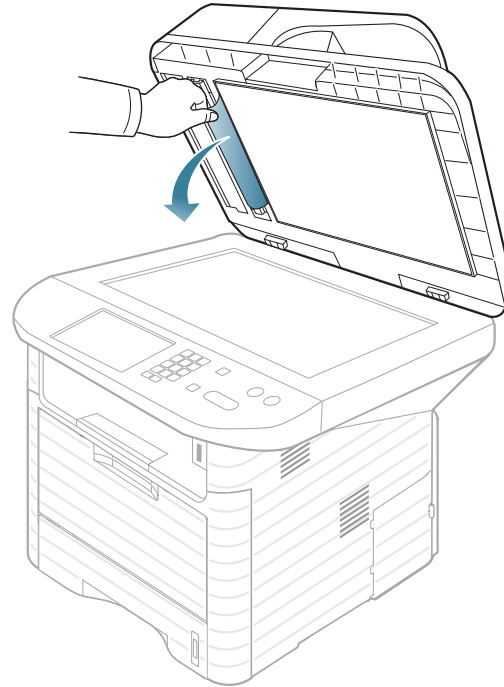
If you see no paper in this area, go to next step.

Clearing original document jams

- 4 Open the document feeder.



- 5 Grasp the misfeed paper, and remove the paper from the feed area by carefully pulling it.

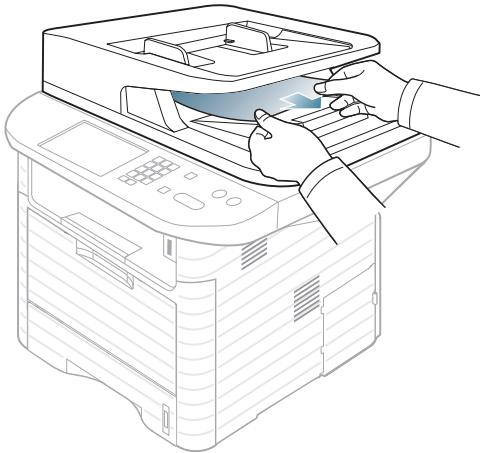


- 6 Close the document feeder.



Original paper jam in exit area of scanner

- 1 Remove any remaining pages from the document feeder.
- 2 Gently remove the jammed paper from the document feeder.

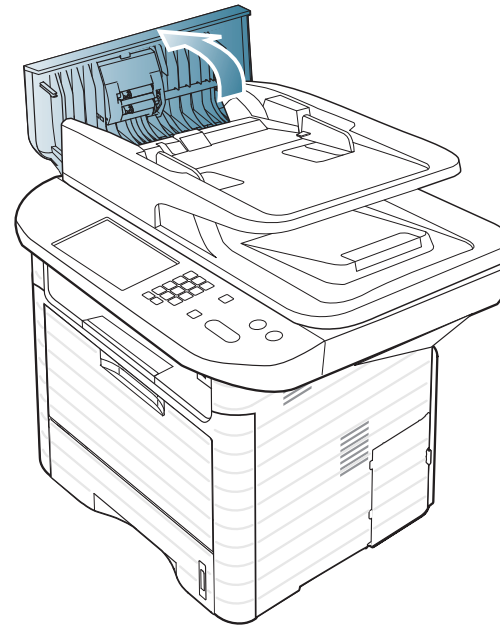


Original paper jam in scanner duplex path



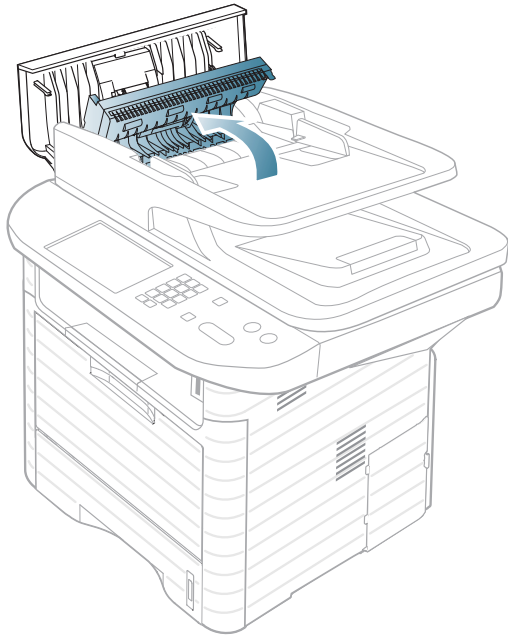
For SCX-4833FR, SCX-4835FR, SCX-563x Series and SCX-573x Series.

- 1 Remove any remaining pages from the document feeder.
- 2 Open the document feeder cover.

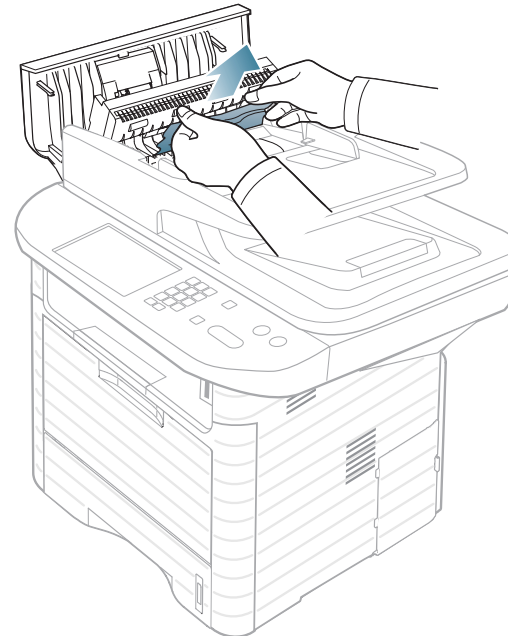


Clearing original document jams

- 3** Open the duplex jam cover.



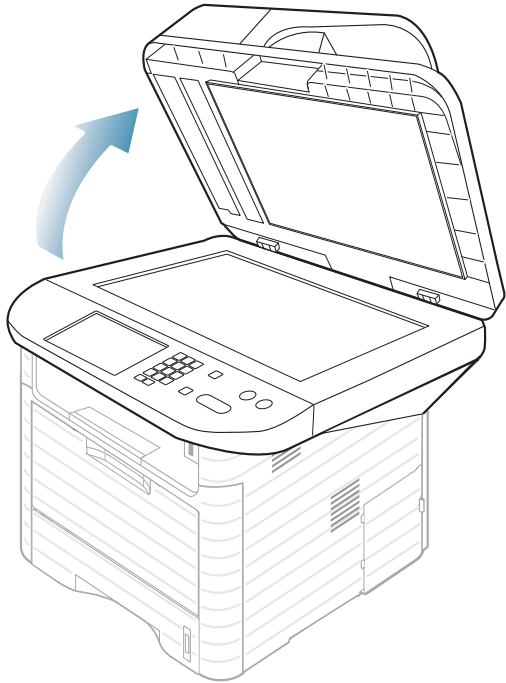
- 4** Pull the jammed paper gently out of the document feeder.



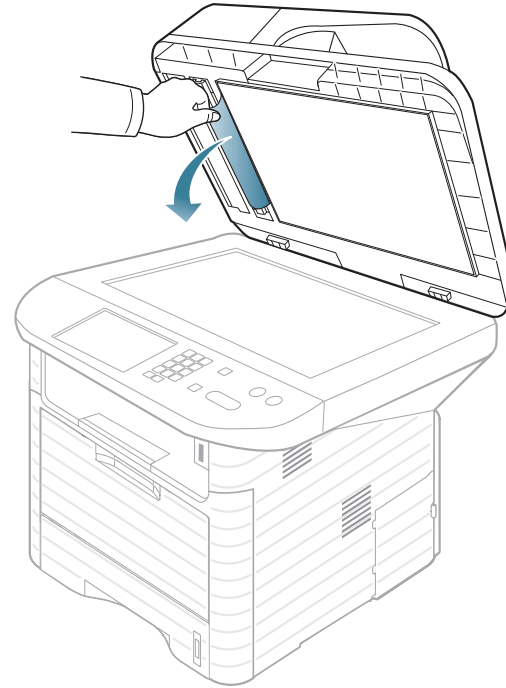
Close the duplex jam cover and the document feeder cover. If you do not see paper in this area, go to the next step.

Clearing original document jams

- 5 Open the document feeder.



- 6 Grasp the misfeed paper, and remove the paper from the feed area by carefully pulling it.



- 7 Close the document feeder.

Clearing paper jams



To avoid tearing the paper, pull the jammed paper out slowly and gently.



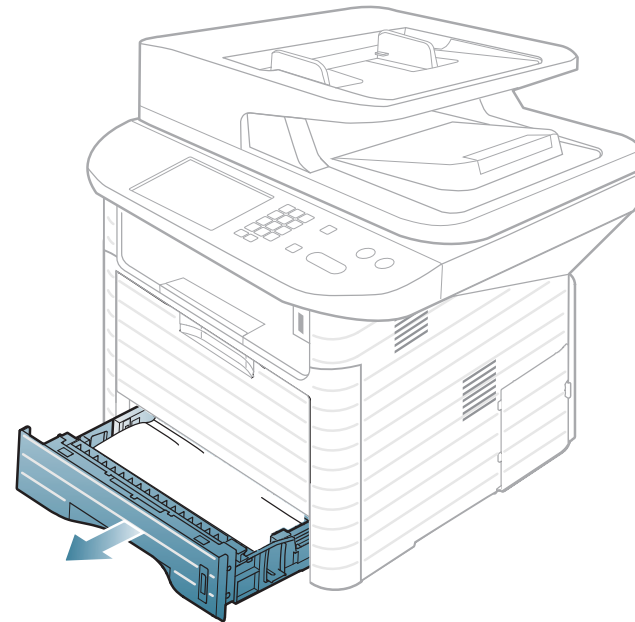
In tray 1



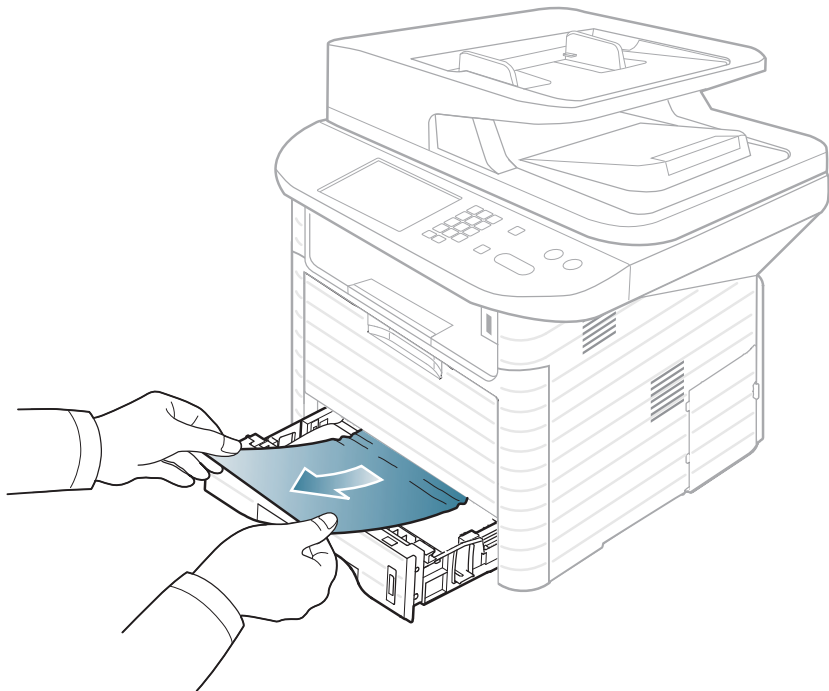
Click this link to open an animation about clearing a jam.

- 1 Open and close the front cover. The jammed paper is automatically ejected from the machine.
If the paper does not exit, go to the next step.

- 2 Pull out tray 1 .



- 3 Remove the jammed paper by gently pulling it straight out.



If the paper does not move when you pull, or if you do not see the paper in this area, check the fuser area around the toner cartridge (see "Inside the machine" on page 104).

- 4 Insert tray 1 back into the machine until it snaps into place. Printing automatically resumes.

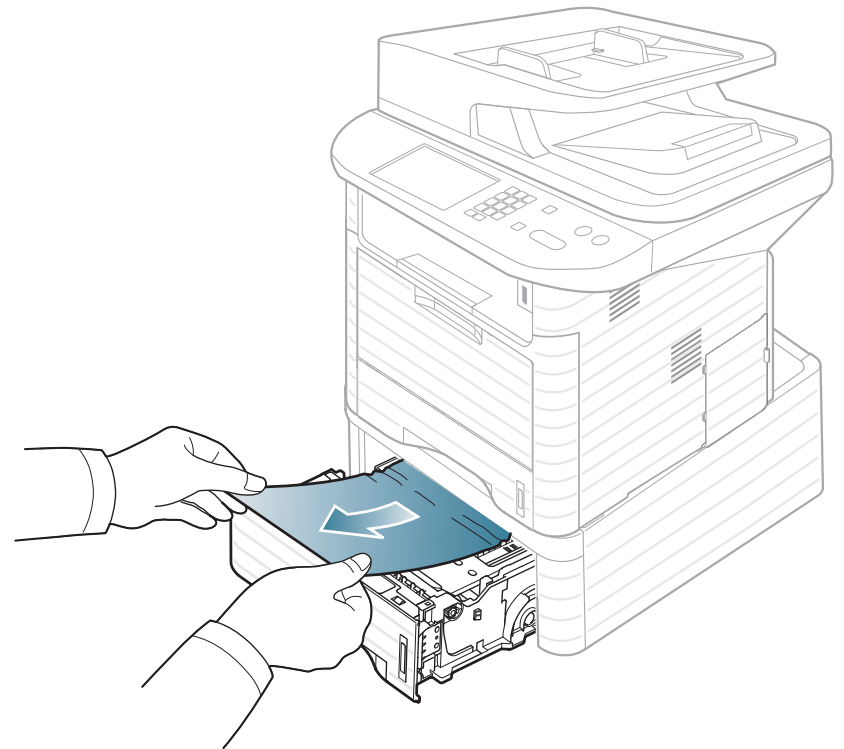


In optional tray2



Click this link to open an animation about clearing a jam.

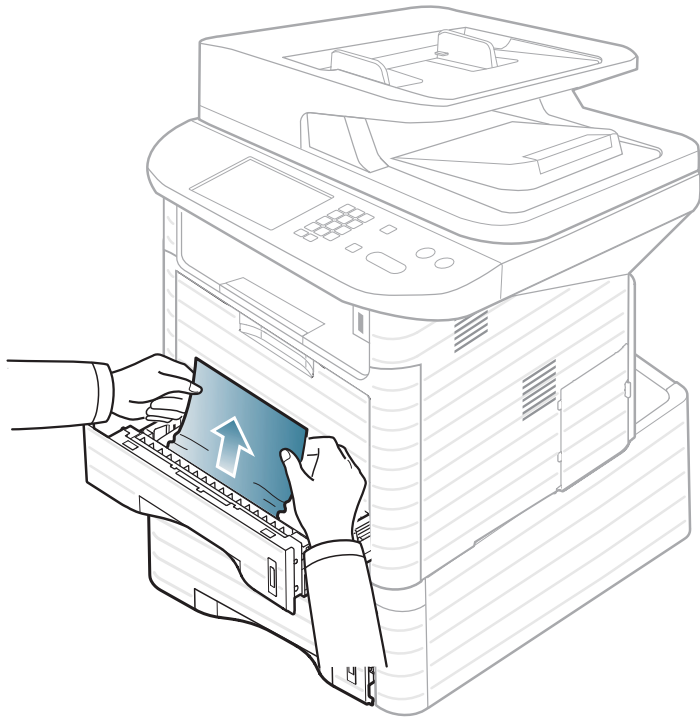
- 1 Pull out optional tray 2.
- 2 Remove the jammed paper from the machine.



Clearing paper jams

If the paper does not move when you pull or if you do not see the paper in this area, stop and go to the next step.

- 3 Pull tray 1 half-way out.
- 4 Pull the paper straight up and out.



- 5 Insert the trays back into the machine. Printing automatically resumes.

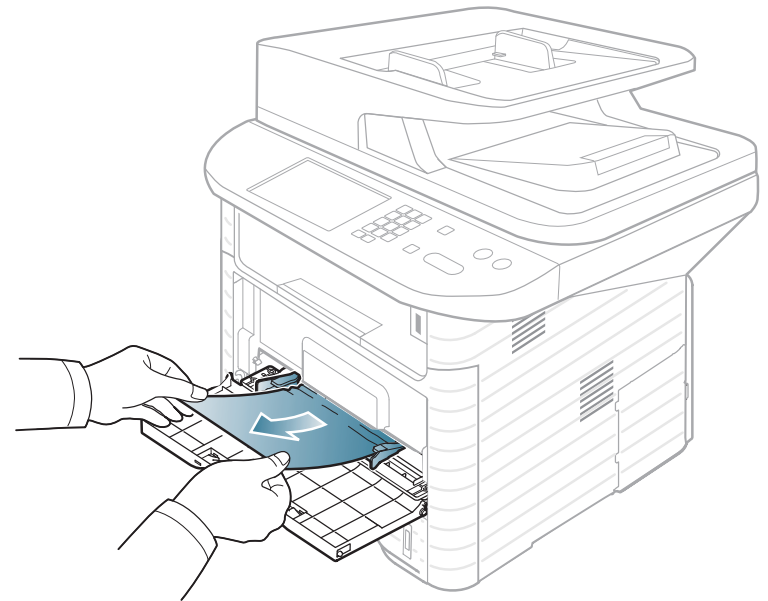


In the multi-purpose tray



Click this link to open an animation about clearing a jam.

- 1 If the paper is not feeding properly, pull the paper out of the machine.



- 2 Open and close the front cover to resume printing.



Inside the machine

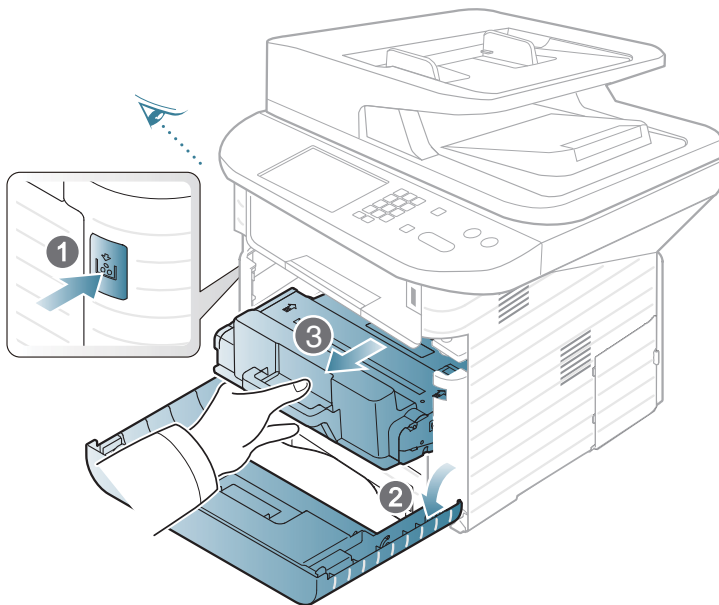


Click this link to open an animation about clearing a jam.

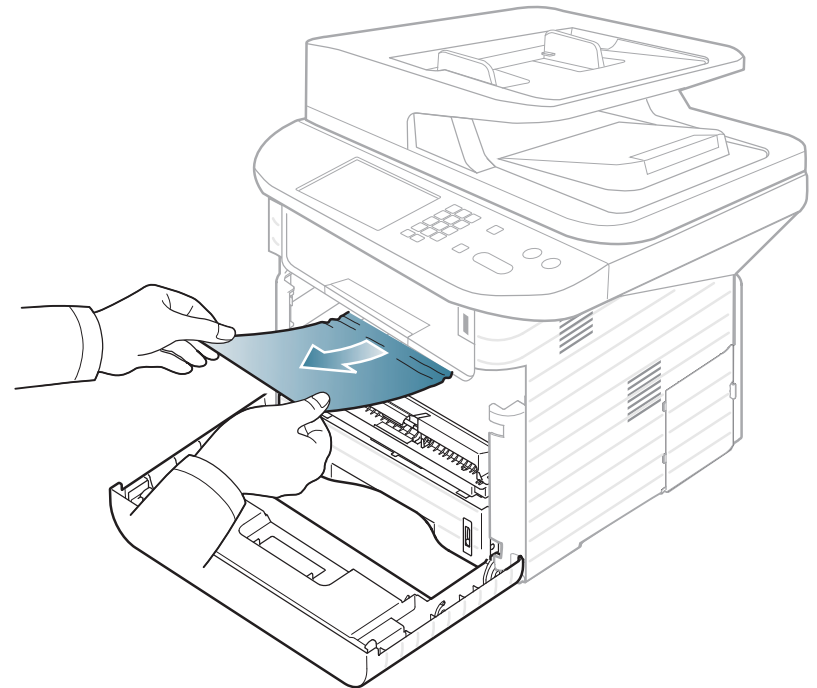


The fuser area is hot. Take care when removing paper from the machine.

- 1 Open the front cover and pull the toner cartridge out.



- 2 Remove the jammed paper by gently pulling it straight out.



- 3 Replace the toner cartridge and close the front cover. Printing automatically resumes.

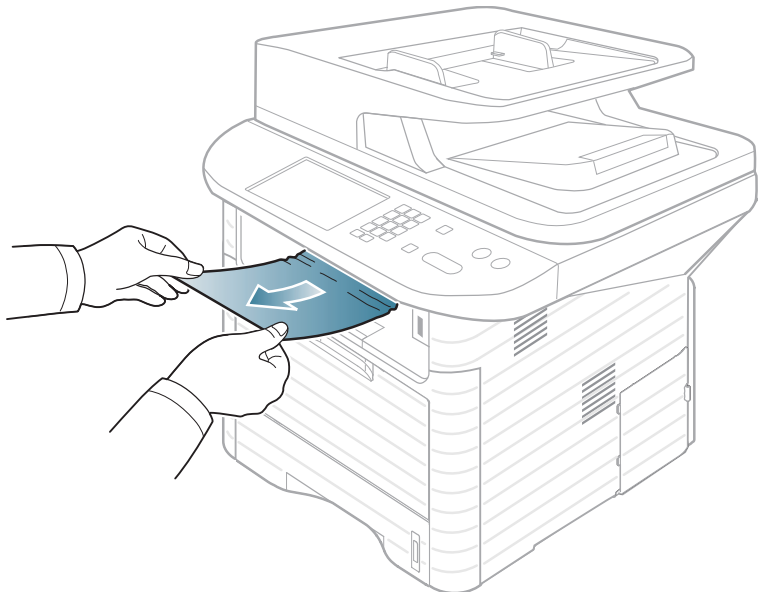


In the exit area



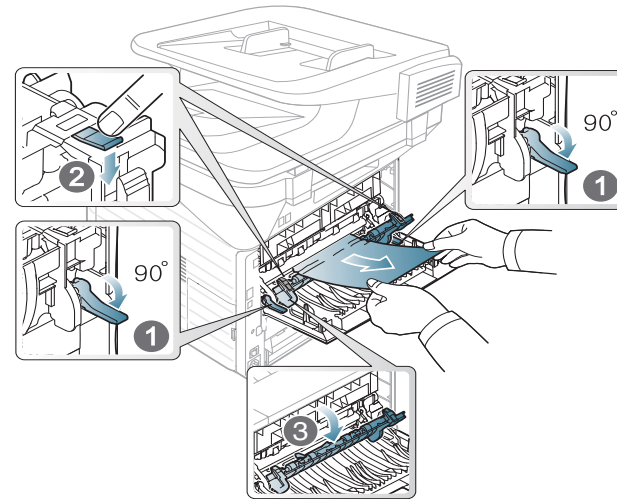
Click this link to open an animation about clearing a jam.

- 1 Open and close the front cover. The jammed paper is automatically ejected from the machine.
If you do not see the jammed paper, go to the next step.
- 2 Gently pull the paper out of the output tray.



If you do not see the jammed paper or if there is any resistance when you pull, stop and go to the next step.

- 3 Open the rear cover.
- 4 Remove the jammed paper as shown in the following figure.



1 fuser door

- 5 Close the rear cover. Printing automatically resumes.

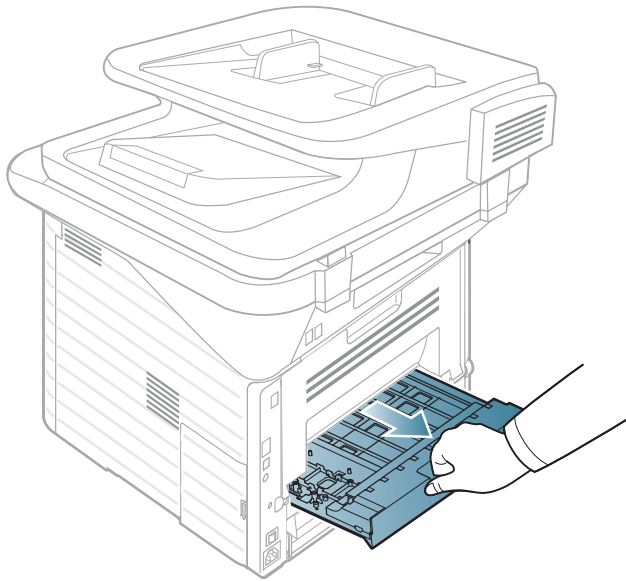


In the duplex unit area

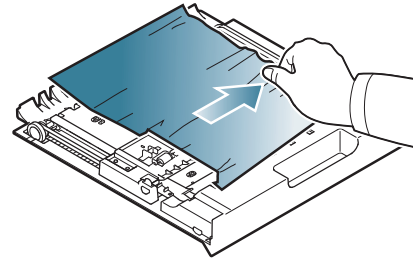


Click this link to open an animation about clearing a jam.

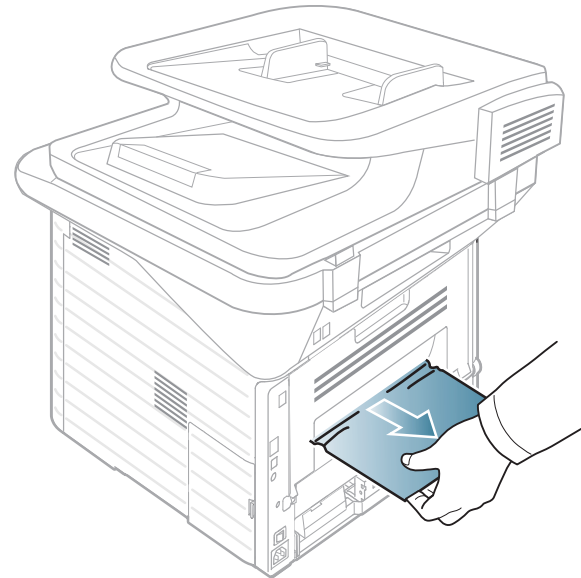
- 1 Pull the duplex unit out of the machine.



- 2 Remove the jammed paper from the duplex unit.



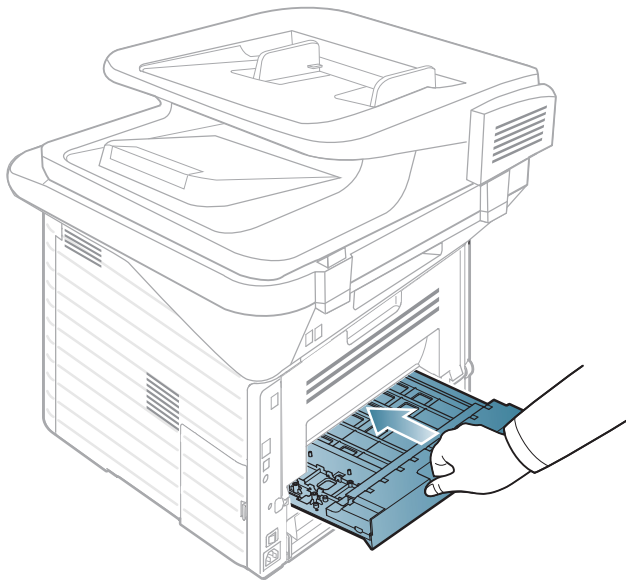
If the paper does not come out with the duplex unit, remove the paper from the bottom of the machine.



If you still do not see the paper, go to the next step.

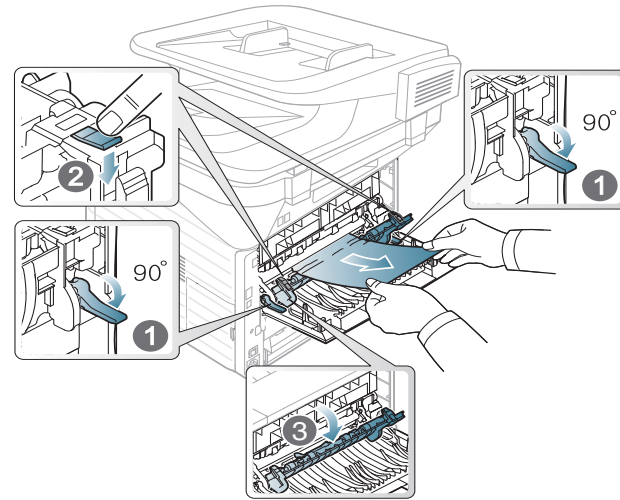
Clearing paper jams

- 3 Insert the duplex unit into the machine.



- 4 Open the rear cover.

- 5 Remove the jammed paper as shown in the following figure.



- 6 Close the rear cover. Printing automatically resumes.

The color of the LED indicates the machine's current status.



- Some LEDs may not be available depending on model or country.
- To resolve the error, look at the error message and its instructions from the troubleshooting part.
- You also can resolve the error with the guideline from the computers's Printing Status or Smart Panel program window.
- If the problem persists, call a service representative.

Status		Description	
Status LED	Off	The machine is off-line.	
	Green	Blinking	When the backlight blinks, the machine is printing data.
		On	<ul style="list-style-type: none"> The machine is on-line and can be used.
	Red	Blinking	<ul style="list-style-type: none"> A minor error has occurred and the machine is waiting for the error to be cleared. Check the display message. When the problem is cleared, the machine resumes. For some models that does not support the display screen on the control panel, this feature is not applicable. Small amount of toner is left in the cartridge. The estimated cartridge life of toner is close. Prepare a new cartridge for replacement. You may temporarily increase the printing quality by redistributing the toner (see "Redistributing toner" on page 80).
		On	<ul style="list-style-type: none"> A toner cartridge has almost reached its estimated cartridge life^a. It is recommended to replace the toner cartridge (see "Replacing the toner cartridge" on page 82). The cover is opened. Close the cover. There is no paper in the tray. Load paper in the tray. The machine has stopped due to a major error. Check the display message (see "Understanding display messages" on page 110).
Wireless LED	Blue	On	When the machine is connected to a wireless network, Wireless LED lights on blue.

a. Estimated cartridge life means the expected or estimated toner cartridge life, which indicates the average capacity of print-outs and is designed pursuant to ISO/IEC 19752. The number of pages may be affected by operating environment, printing interval, graphics, media type and media size. Some amount of toner may remain in the cartridge even when red LED is on and the printer stops printing.

Messages appear on the control panel display to indicate the machine's status or errors. Refer to the tables below to understand the messages' and their meaning, and correct the problem, if necessary.



- If a message is not in the table, reboot the power and try the printing job again. If the problem persists, call a service representative.
- When you call for service, provide the service representative with the contents of display message.
- Some messages may not appear on the display depending on the options or models.
- [error number] indicates the error number.





SCX-4833FD

Paper Jam-related messages

Message	Meaning	Suggested solutions
Document jam Remove jam	The loaded original document has jammed in the document feeder.	Clear the jam (see "Clearing original document jams" on page 94).
Paper Jam in Tray 1	Paper has jammed in the paper feed area.	Clear the jam (see "In tray 1" on page 101).
Paper Jam in Tray 2	Paper has jammed in the optional tray.	Clear the jam (see "In optional tray2" on page 102).
Paper Jam in MP tray	Paper has jammed in the multi-purpose tray.	Clear the jam (see "In the multi-purpose tray" on page 103).
Paper Jam inside machine	Paper has jammed in the inside machine.	Clear the jam (see "Inside the machine" on page 104).
Paper Jam in exit area	Paper has jammed in the paper exit area.	Clear the jam (see "In the exit area" on page 105).
Paper Jam bottom of duplex	Paper has jammed in the duplex area.	Clear the jam (see "In the duplex unit area" on page 106).

Toner-related messages

Message	Meaning	Suggested solutions
Install Toner	A toner cartridge is not installed.	Install a toner cartridge.
Not Compatible Toner cartridge	The toner cartridge you have installed is not for your machine.	Install a Samsung-genuine toner cartridge, designed for your machine.
Prepare new cartridge	Small amount of toner is left in the indicated cartridge. The estimated cartridge life of toner is close.	Prepare a new cartridge for a replacement. You may temporarily increase the printing quality by redistributing the toner (see "Redistributing toner" on page 80).

Message	Meaning	Suggested solutions
Replace new cartridge	<p>A toner cartridge has reached its estimated cartridge life. The machine stops printing.</p> <div data-bbox="457 451 1213 1049"><p>Estimated cartridge life means the expected or estimated toner cartridge life, which indicates the average capacity of print-outs and is designed pursuant to ISO/IEC 19752 (see "Available supplies" on page 76). The number of pages may be affected by operating environment, printing interval, media type, percentage of image area, and media size. Some amount of toner may remain in the cartridge even when replace new cartridge appears and the machine stops printing.</p></div>	<ul style="list-style-type: none">• You can choose Stop or Continue as shown on the control panel. If you select Stop, the printer stops printing and you cannot print any more without changing the cartridge. If you select Continue, the printer keeps printing but the printing quality cannot be guaranteed.• Replace the toner cartridge for the best print quality when this message appears. Using a cartridge beyond this stage can result in printing quality issues (see "Replacing the toner cartridge" on page 82). <div data-bbox="1241 792 2060 1219"><p>Samsung does not recommend using a non-genuine Samsung toner cartridge such as refilled or remanufactured. Samsung cannot guarantee a non-genuine Samsung toner cartridge's quality. Service or repair required as a result of using non-genuine Samsung toner cartridges will not be covered under the machine warranty.</p></div> <ul style="list-style-type: none">• If the machine stops printing, replace the toner cartridge (see "Replacing the toner cartridge" on page 82).

Tray-related messages

Message	Meaning	Suggested solutions
Output bin full Remove paper	The output tray is full.	Remove papers from the output tray, the printer resumes printing.
Paper Empty in Tray 1	There is no paper in tray 1.	Load paper in tray 1 (see "Loading paper in the tray/ optional tray" on page 37).
Paper Empty in Tray 2	There is no paper in tray 2.	Load paper in tray 2 (see "Loading paper in the tray/ optional tray" on page 37).
Paper Empty in MP tray	There is no paper in the multi-purpose tray.	Load paper in the multi-purpose tray (see "Loading in multi-purpose tray" on page 39).
Pulled Out Tray 1 Cassette	The tray is not securely latched.	Close the tray until it locks into place.
Pulled Out Tray 2 Cassette	The tray is not securely latched.	Close the tray until it locks into place.
Paper mismatch	The paper sizespecified in the printer properties does not match the paper you are loading.	Load the required size paper.

Network-related messages

Message	Meaning	Suggested solutions
Network Problem IP Conflict	The network IP address you have set is being used by someone else.	Check the IP address and reset it if necessary (see Advanced Guide).
802.1x Network Error	Fail to authenticate.	Check the network authentication protocol. If the problem persists, contact your network administrator.

Misc. messages

Message	Meaning	Suggested solutions
Door Open Close it	The front cover or rear cover is not securely latched.	Close the cover until it locks into place.
Door of scanner is open	The document feeder cover is not securely latched.	Close the cover until it locks into place.
Error [error number] Turn off then on	The machine unit cannot be controlled.	Reboot the power and try the printing job again. If the problem persists, please call for service.
Memory Full Remove Job	The memory is full.	Print or remove the received fax job in Secure Receive (see Advanced Guide).
Scanner Locked	The scanner is locked.	Reboot the power. If the problem persists, please call for service.





SCX-4833FR/SCX-5637FR

Paper Jam-related messages

Message	Meaning	Suggested solutions
Original paper jam Original paper jam inside of scanner. Remove jam.	The loaded original document has jammed in the document feeder.	Clear the jam (see "Clearing original document jams" on page 94).
Paper Jam in Tray 1	Paper has jammed in the paper feed area.	Clear the jam (see "In tray 1" on page 101).
Paper Jam in Tray 2	Paper has jammed in the optional tray.	Clear the jam (see "In optional tray2" on page 102).
Paper Jam in MP tray	Paper has jammed in the multi-purpose tray.	Clear the jam (see "In the multi-purpose tray" on page 103).
Jam inside machine	Paper has jammed in the inside machine.	Clear the jam (see "Inside the machine" on page 104).
Jam in exit area	Paper has jammed in the paper exit area.	Clear the jam (see "In the exit area" on page 105).
Jam bottom of duplex	Paper has jammed in the duplex area.	Clear the jam (see "In the duplex unit area" on page 106).

Toner-related messages

Message	Meaning	Suggested solutions
Toner not installed Toner cartridge is not installed. Install it.	A toner cartridge is not installed.	Install a toner cartridge.
Toner Not Compatible Toner cartridge is not compatible. Check guide	The toner cartridge you have installed is not for your machine.	Install a Samsung-genuine toner cartridge, designed for your machine.
Prepare new toner Prepare new toner cartridge	Small amount of toner is left in the indicated cartridge. The estimated cartridge life of toner is close.	Prepare a new cartridge for a replacement. You may temporarily increase the printing quality by redistributing the toner (see "Redistributing toner" on page 80).
Replace new toner End of life, Replace with new toner cartridge	A toner cartridge has reached its estimated cartridge life. The machine stops printing.	Replace the toner cartridge (see "Replacing the toner cartridge" on page 82).

Message	Meaning	Suggested solutions
<p>Replace new toner Replace with new toner cartridge</p>	<p>A toner cartridge has reached its estimated cartridge life. The machine stops printing.</p> <div data-bbox="457 451 1218 1049"><p>Estimated cartridge life means the expected or estimated toner cartridge life, which indicates the average capacity of print-outs and is designed pursuant to ISO/IEC 19752 (see "Available supplies" on page 76). The number of pages may be affected by operating environment, printing interval, media type, percentage of image area, and media size. Some amount of toner may remain in the cartridge even when replace new cartridge appears and the machine stops printing.</p></div>	<ul style="list-style-type: none">• You can choose Stop or Continue as shown on the control panel. If you select Stop, the printer stops printing and you cannot print any more without changing the cartridge. If you select Continue, the printer keeps printing but the printing quality cannot be guaranteed.• Replace the toner cartridge for the best print quality when this message appears. Using a cartridge beyond this stage can result in printing quality issues (see "Replacing the toner cartridge" on page 82). <div data-bbox="1241 789 2058 1219"><p>Samsung does not recommend using a non-genuine Samsung toner cartridge such as refilled or remanufactured. Samsung cannot guarantee a non-genuine Samsung toner cartridge's quality. Service or repair required as a result of using non-genuine Samsung toner cartridges will not be covered under the machine warranty.</p></div>

Tray-related messages

Message	Meaning	Suggested solutions
Output bin full Output bin full. Remove printed paper	The output tray is full.	Remove papers from the output tray, the printer resumes printing.
Paper Empty in tray 1 Paper is empty in tray 1. Load paper	There is no paper in tray 1.	Load paper in tray 1 (see "Loading paper in the tray/ optional tray" on page 37).
Paper Empty in tray 2 Paper is empty in tray 2. Load paper	There is no paper in tray 2.	Load paper in tray 2 (see "Loading paper in the tray/ optional tray" on page 37).
Paper Empty in MP Paper is empty in MP tray. Load paper	There is no paper in the multi-purpose tray.	Load paper in the multi-purpose tray (see "Loading in multi-purpose tray" on page 39).
Tray 1 cassette Out Tray 1 cassette is pulled out. Insert it properly	The tray is not securely latched.	Close the tray until it locks into place.

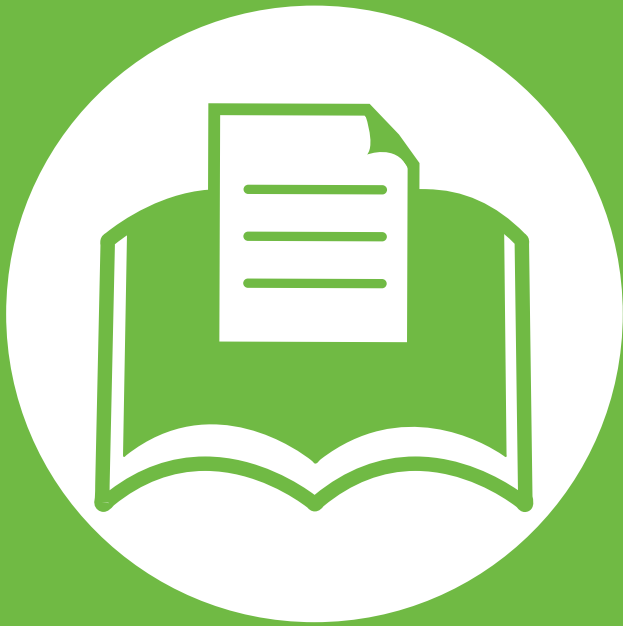
Message	Meaning	Suggested solutions
Tray 2 cassette Out Tray 2 cassette is pulled out. Insert it properly	The tray is not securely latched.	Close the tray until it locks into place.
Paper mismatch	The paper sizespecified in the printer properties does not match the paper you are loading.	Load the required size paper.

Network-related messages

Message	Meaning	Suggested solutions
IP Conflict This IP address conflicts with that of other system	The network IP address you have set is being used by someone else.	Check the IP address and reset it if necessary (see Advanced Guide).
802.1x Network Error 802.1x Network Error Contact the Admin.	Fail to authenticate.	Check the network authentication protocol. If the problem persists, contact your network administrator.

Misc. messages

Message	Meaning	Suggested solutions
Door is open Close it	The front cover or rear cover is not securely latched.	Close the cover until it locks into place.
Error [error number] Turn off then on	The machine unit cannot be controlled.	Reboot the power and try the printing job again. If the problem persists, please call for service.
Memory Full Fax memory is almost full. Print or remove received fax job	The fax memory is almost full.	Print or remove the received fax job in Secure Receive (see Advanced Guide).
Memory Full Fax memory is full. Print or remove received fax job	The fax memory is full.	Print or remove the received fax job in Secure Receive (see Advanced Guide).
Scanner Locked	The scanner is locked.	Reboot the power. If the problem persists, please call for service.
Scanner door open Door of scanner is open. Close the door	The document feeder cover is not securely latched.	Close the cover until it locks into place.



5. Appendix

This chapter provides product specifications and information concerning applicable regulations.

- **Specifications** 123
- **Regulatory information** 133
- **Copyright** 146





General specifications



The specification values listed below are subject to change without notice. See www.samsung.com/printer for possible changes in information.

Items		Description
Dimension	Width x Length x Height	<ul style="list-style-type: none"> • SCX-4833FD, SCX-4833HD and SCX-4835FD: 424 x 382 x 407 mm (16.69 x 15.04 x 16.02 inches) • SCX-4833FR, SCX-4835FR, SCX-5637FR, SCX-5637HR, SCX-5639FR, SCX-5737FW and SCX-5739FW: 469 x 438 x 447 mm (18.46 x 17.24 x 17.60 inches)
Weight	Machine with consumables	<ul style="list-style-type: none"> • SCX-4833FD, SCX-4833HD and SCX-4835FD: 14 kg (30.86 lbs) • SCX-4833FR, SCX-4835FR, SCX-5637FR, SCX-5637HR, SCX-5639FR, SCX-5737FW and SCX-5739FW: 16 kg (35.27 lbs)
Noise Level^a	Ready mode	30 dB (A)
	Print mode	<ul style="list-style-type: none"> • SCX-4833FD, SCX-4833HD, SCX-4835FD, SCX-4833FR and SCX-4835FR: 52dB (A) • SCX-5637FR, SCX-5637HR, SCX-5639FR, SCX-5737FW and SCX-5739FW: 53 dB (A)
	Copy mode	54 dB (A)
	Scan mode (scanner glass)	50 dB (A)
	Scan mode (document feeder)	51 dB (A)

Items		Description
Temperature	Operation	10 to 32°C (50 to 89.6°F)
	Storage (packed)	-20 to 40°C (-4 to 104°F)
Humidity	Operation	20 to 80% RH
	Storage (packed)	10 to 90% RH
Power rating ^b	110 volt models	AC 110 - 127 V
	220 volt models	AC 220 - 240 V
Power consumption	Average operating mode	<ul style="list-style-type: none"> • SCX-4833FD, SCX-4833HD and SCX-4835FD: Less than 600 W • SCX-4833FR, SCX-4835FR, SCX-5637FR, SCX-5637HR, SCX-5639FR, SCX-5737FW and SCX-5739FW: Less than 650 W
	Ready mode	<ul style="list-style-type: none"> • SCX-4833FD, SCX-4833HD and SCX-4835FD: Less than 40 W • SCX-4833FR, SCX-4835FR, SCX-5637FR, SCX-5637HR, SCX-5639FR, SCX-5737FW and SCX-5739FW: Less than 80 W
	Power save mode	<ul style="list-style-type: none"> • SCX-4833FD, SCX-4833HD and SCX-4835FD: Less than 8 W • SCX-4833FR, SCX-4835FR, SCX-5637FR, SCX-5637HR, SCX-5639FR, SCX-5737FW and SCX-5739FW: Less than 10 W
	Power off mode	0 W
Wireless ^c	Module	U98Z058

a. Sound Pressure Level, ISO 7779. Configuration tested: basic machine installation, A4 paper, simplex printing.

b. See the rating label on the machine for the correct voltage (V), frequency (hertz) and type of current (A) for your machine.

c. SCX-5737FW and SCX-5739FW only.



Print media specifications

Type	Size	Dimensions	Print media weight/Capacity ^a	
			Tray1 / Optional tray	Multi-purpose tray
Plain paper	Letter	216 x 279 mm (8.5 x 11 inches)	70 to 90 g/m ² (19 to 24 lbs bond) <ul style="list-style-type: none"> • 250 sheets of 80 g/m² (20 lbs bond) 	70 to 90 g/m ² (19 to 24 lbs bond) <ul style="list-style-type: none"> • 50 sheets of 80 g/m² (20 lbs bond)
	Legal	216 x 356 mm (8.5 x 14 inches)		
	US Folio	216 x 330 mm (8.5 x 13 inches)		
	A4	210 x 297 mm (8.26 x 11.69 inches)		
	Oficio	216 x 343 mm (8.5 x 13.5 inches)		
	JIS B5	182 x 257 mm (7.16 x 10.11 inches)		
	ISO B5	176 x 250 mm (6.93 x 9.84 inches)		
	Executive	184 x 267 mm (7.25 x 10.5 inches)		
	A5	148 x 210 mm (5.82 x 8.26 inches)		
	A6	105 x 148 mm (4.13 x 5.82 inches)	<ul style="list-style-type: none"> • 150 sheets of 75 g/m² (20 lbs bond) 	

Type	Size	Dimensions	Print media weight/Capacity ^a	
			Tray1 / Optional tray	Multi-purpose tray
Envelope	Envelope Monarch	98 x 191 mm (3.87 x 7.5 inches)	Not available in tray1/optional tray.	75 to 90 g/m ² (20 to 24 lbs bond)
	Envelope No. 10	105 x 241 mm (4.12 x 9.5 inches)		
	Envelope DL	110 x 220 mm (4.33 x 8.66 inches)		
	Envelope C5	162 x 229 mm (6.37 x 9.01 inches)		
	Envelope C6	114 x 162 mm (4.48 x 6.38 inches)		
Thick paper	Refer to the Plain paper section	Refer to the Plain paper section	91 to 105 g/m ² (24 to 28 lbs bond)	91 to 105 g/m ² (24 to 28 lbs bond)
Thicker paper	Refer to the Plain paper section	Refer to the Plain paper section	Not available in tray1/optional tray.	164 to 220 g/m ² (44 to 58 lbs bond)
Thin paper	Refer to the Plain paper section	Refer to the Plain paper section	60 to 70 g/m ² (16 to 19 lbs bond)	60 to 70 g/m ² (16 to 19 lbs bond)
Transparency	Letter, A4	Refer to the Plain paper section	Not available in tray1/optional tray.	138 to 146 g/m ² (36.81 to 38.91 lbs bond)

Type	Size	Dimensions	Print media weight/Capacity ^a	
			Tray1 / Optional tray	Multi-purpose tray
Labels ^b	Letter, Legal, US Folio, A4, JIS B5, ISO B5, Executive, A5	Refer to the Plain paper section	Not available in tray1/optional tray.	120 to 150 g/m ² (32 to 40 lbs bond)
Card stock	Letter, Legal, US Folio, A4, JIS B5, ISO B5, Executive, A5	Refer to the Plain paper section	121 to 163 g/m ² (32 to 43 lbs bond)	121 to 163 g/m ² (32 to 43 lbs bond)
Bond paper	Refer to the Plain paper section	Refer to the Plain paper section	106 to 120 g/m ² (28 to 32 lbs bond)	106 to 120 g/m ² (28 to 32 lbs bond)
Minimum size (custom)		<ul style="list-style-type: none"> • Multi-purpose tray: 76 x 127 mm (2.99 x 5 inches) • Tray 1: 105 x 148.5 mm (4.13 x 5.85 inches) 	60 to 163 g/m ² (16 to 43 lbs bond) ^{c, d} Not available in optional tray.	
Maximum size (custom)		216 x 356 mm (8.5 x 14 inches)		

a. Maximum capacity may differ depending on media weight, thickness, and environmental conditions.

b. The smoothness of the labels used in this machine is 100 to 250 (sheffield). This means the numeric level of smoothness.

c. The paper types available in multi-purpose tray: Plan, Thick, Thicker, Thin, Cotton, Colored, Pre-printed, Recycled, Envelope, Transparency, Labels, Cardstock, Bond, Archive

d. The paper types available in tray 1: Plan, Thick, Thin, Recycled, Cardstock, Bond, Archive



System requirements

Microsoft® Windows®

Operating system	Requirement (recommended)		
	CPU	RAM	free HDD space
Windows® 2000	Intel® Pentium® II 400 MHz (Pentium III 933 MHz)	64 MB (128 MB)	600 MB
Windows® XP	Intel® Pentium® III 933 MHz (Pentium IV 1 GHz)	128 MB (256 MB)	1.5 GB
Windows Server® 2003	Intel® Pentium® III 933 MHz (Pentium IV 1 GHz)	128 MB (512 MB)	1.25 GB to 2 GB
Windows Server® 2008	Intel® Pentium® IV 1 GHz (Pentium IV 2 GHz)	512 MB (2 GB)	10 GB
Windows Vista®	Intel® Pentium® IV 3 GHz	512 MB (1 GB)	15 GB
Windows® 7	Intel® Pentium® IV 1 GHz 32-bit or 64-bit processor or higher	1 GB (2 GB)	16 GB
	<ul style="list-style-type: none"> • Support for DirectX® 9 graphics with 128 MB memory (to enable the Aero theme). • DVD-R/W Drive 		
Windows Server® 2008 R2	Intel® Pentium® IV 1 GHz (x86) or 1.4 GHz (x64) processors (2 GHz or faster)	512 MB (2 GB)	10 GB



- Internet Explorer 6.0 or higher is the minimum requirement for all Windows operating systems.
- Users who have administrator rights can install the software.
- **Windows Terminal Services** is compatible with your machine.

Macintosh

Operating system	Requirements (Recommended)		
	CPU	RAM	Free HDD space
Mac OS X 10.3 ~ 10.4	<ul style="list-style-type: none">• Intel® processors• PowerPC G4/ G5	<ul style="list-style-type: none">• 128 MB for a powerPC based Mac (512 MB)• 512 MB for an Intel-based Mac (1 GB)	1 GB
Mac OS X 10.5	<ul style="list-style-type: none">• Intel® processors• 867 MHz or faster Power PC G4/ G5	512 MB (1 GB)	1 GB
Mac OS X 10.6	<ul style="list-style-type: none">• Intel® processors	1 GB (2 GB)	1 GB

Linux

Items	Requirements
Operating system	Redhat® Enterprise Linux WS 4, 5 (32/64 bit) Fedora 5 ~ 13 (32/ 64 bit) SuSE Linux 10.1 (32 bit) OpenSuSE® 10.2, 10.3, 11.0, 11.1, 11.2 (32/64 bit) Mandriva 2007, 2008, 2009, 2009.1, 2010 (32/64 bit) Ubuntu 6.06, 6.10, 7.04, 7.10, 8.04, 8.10, 9.04, 9.10, 10.04 (32/64 bit) SuSE Linux Enterprise Desktop 10, 11 (32/64 bit) Debian 4.0, 5.0 (32/64 bit)
CPU	Pentium IV 2.4GHz (Intel Core™2)
RAM	512 MB (1 GB)
Free HDD space	1 GB (2 GB)

Unix

Items	Requirements
Operating system	Sun Solaris 9, 10 (x86, SPARC) HP-UX 11.0, 11i v1, 11i v2, 11i v3 (PA-RISC, Itanium) IBM AIX 5.1, 5.2, 5.3, 5.4

Items	Requirements
Free HDD space	Up to 100 MB



Network environment



Network and wireless models only (see "Features by models" on page 7)

You need to set up the network protocols on the machine to use it as your network machine. The following table shows the network environments supported by the machine.

Items	Specifications
Network interface	<ul style="list-style-type: none">• Ethernet 10/100/1000 Base-TX• 802.11b/g/n Wireless LAN
Network operating system	<ul style="list-style-type: none">• Windows 2000/Server 2003 /Server 2008/XP/Vista/7/Server 2008 R2• Various Linux OS• Mac OS X 10.3 ~ 10.6• Unix

Items	Specifications
Network protocols	<ul style="list-style-type: none">• TCP/IPv4• DHCP, BOOTP• DNS, WINS, Bonjour, SLP, UPnP• Standard TCP/IP Printing (RAW), LPR, IPP, WSD• SNMPv 1/2/3, HTTP (S), IPSec, 802.1x• TCP/IPv6 (DHCP, DNS, RAW, LPR, SNMPv 1/2/3, HTTP (S), IPSec)
Wireless security	<ul style="list-style-type: none">• Authentication: Open System, Shared Key, WPA Personal, WPA2 Personal (PSK), WPA Enterprise, WPA2 Enterprise• Encryption: WEP64, WEP128, TKIP, AES

This machine is designed for a normal work environment and certified with several regulatory statements.



Laser safety statement

The printer is certified in the U.S. to conform to the requirements of DHHS 21 CFR, chapter 1 Subchapter J for Class I(1) laser products, and elsewhere is certified as a Class I laser product conforming to the requirements of IEC 60825-1:1993 + A1:1997 + A2:2001.


Class I laser products are not considered to be hazardous. The laser system and printer are designed so there is never any human access to laser radiation above a Class I level during normal operation, user maintenance or prescribed service condition.

- **Wavelength:** 800 nm
- **Beam divergence**
 - **Paraller:** 12 degrees
 - **Perpendicular:** 35 degrees
- **Maximum power or energy output:** 15 mW

Warning

Never operate or service the printer with the protective cover removed from laser/scanner assembly. The reflected beam, although invisible, can damage your eyes.

When using this product, these basic safety precautions should always be followed to reduce risk of fire, electric shock, and injury to persons:

E n g l i s h		CAUTION - CLASS 3B. INVISIBLE LASER RADIATION WHEN OPEN. AVOID EXPOSURE TO THE BEAM. DANGER - INVISIBLE LASER RADIATION WHEN OPEN. AVOID DIRECT EXPOSURE TO BEAM.
G e r m a n		DANGER - KLASSE 3B. UNSICHTBARE LASERSTRAHLUNG, WENN OFFEN. STRAHLENAUSSETZUNG VERMEIDEN.
F r e n c h		VORSICHT - UNSICHTBARE LASERSTRAHLUNG KLASSE 3 B, WENN ABDECKUNG GEÖFFNET. NICHT DEM STRAHL AUSSETZEN.
I t a l i a n		ATTENZIONE - CLASSE 3B. RADIZIONI LASER INVISIBILI CON IL DISPOSITIVO APERTO. EVITARE L'ESPOSIZIONE AL RAGGIO.
S p a n i s h		PRECAUCIÓN - RADIACIÓN LÁSER INVISIBLE DE CLASE 3B PRESENTE AL ABRIR. EVITE LA EXPOSICIÓN AL HAZ.
P o r t u g u e s		PERIGO - CLASSE 3B. RADIAÇÃO LASER INVISÍVEL AO ABRIR. EVITE EXPOSIÇÃO DIRECTA AO FEIXE.
D u t c h		GEVAAR - KLASSE 3B. ONZICHTBARE LASERSTRALING INDIEN GEOPEND. VERMIJD BLOOTSTELLING AAN DE STRAAL.
D a n i s h		ADVARSEL - KLASSE 3B. USYNLIG LASERSTRÅLING VED ÅBNING. UNDGÅ UDSÆTTELSE FOR STRÅLING.
N o r w e g i a n		ADVARSEL - KLASSE 3B. USYNLIG LASERSTRÅLING NÅR DEKSEL ÅPNES. UNNGÅ EKSPONERING FOR STRÅLEN.
S w e d i s h		VARNING - KLASS 3B OSYNLIG LASERSTRÅLNING NÅR DENNA DEL ÄR ÖPPNAD. STRÅLEN ÄR FARLIG.
F i n n i s h		VAROITUS - LUOKAN 3B NÄKYMÄTTÖMÄLLE LASER-SÄTEILYÄ AVATTUNA. VÄLTÄ ALTISTUMISTA SÄTEELLE. 注 意 - CLASS 3B. 严禁打开, 以免被不可见激光辐射泄漏灼伤 주 의 - 열리면 등급 3B 비가시 레이저 방사선 이 방출됩니다. 광선에 노출을 피하십시오.



Ozone safety



This product's ozone emission rate is under 0.1 ppm. Because ozone is heavier than air, keep the product in a place with good ventilation.



Mercury Safety



Contains Mercury, Dispose According to Local, State or Federal Laws.(U.S.A. only)



Power saver



This printer contains advanced energy conservation technology that reduces power consumption when it is not in active use.

When the printer does not receive data for an extended period of time, power consumption is automatically lowered.

ENERGY STAR and the ENERGY STAR mark are registered U.S. marks.

For more information on the ENERGY STAR program see <http://www.energystar.gov>



Recycling



Recycle or dispose of the packaging material for this product in an environmentally responsible manner.



China only

回收和再循环

为了保护环境，我公司已经为废弃的产品建立了回收和再循环系统。我们会为您无偿提供回收同类废旧产品的服务。当您要废弃您正在使用的产品时，请您及时与工厂取得联系，我们会及时为您提供服务。



Correct disposal of this product (Waste electrical & electronic equipment)

(Applicable in the European Union and other European countries with separate collection systems)



This marking on the product, accessories or literature indicates that the product and its electronic accessories (e.g. charger, headset, USB cable) should not be disposed of with other household waste at the end of their working life. To prevent possible harm to the environment or human health from uncontrolled waste disposal, please separate these items from other types of waste and recycle them responsibly to promote the sustainable reuse of material resources.

Household users should contact either the retailer where they purchased this product, or their local government office, for details of where and how they can take these items for environmentally safe recycling.

Business users should contact their supplier and check the terms and conditions of the purchase contract. This product and its electronic accessories should not be mixed with other commercial wastes for disposal.



Correct disposal of batteries in this product

(Applicable in the European Union and other European countries with separate battery return systems.)



This marking on the battery, manual or packaging indicates that the batteries in this product should not be disposed with other household waste at the end of their working life. Where marked, the chemical symbols Hg, Cd or Pb indicate that the battery contains mercury, cadmium or lead above the reference levels in EC Directive 2006/66. If batteries are not properly disposed of, these substances can cause harm to human health or the environment. To protect natural resources and to promote material reuse, please separate batteries from other types of waste and recycle them through your local, free battery return system.



Taiwan only

警告

本電池如果更換不正確會有爆炸的危險
請依製造商說明書處理用過之電池



Radio frequency emissions

FCC information to the user

This device complies with Part 15 of the FCC Rules. Operation is subject to the following two conditions:

- This device may not cause harmful interference, and
- This device must accept any interference received, including interference that may cause undesired operation.

This equipment has been tested and found to comply with the limits for a Class B digital device, pursuant to Part 15 of the FCC Rules. These limits are designed to provide reasonable protection against harmful interference in a residential installation. This equipment generates, uses and can radiate radio frequency energy and, if not installed and used in accordance with the instructions, may cause harmful interference to radio communications. However, there is no guarantee that interference will not occur in a particular installation. If this equipment does cause harmful interference to radio or television reception, which can be determined by turning the equipment off and on, the user is encouraged to try to correct the interference by one or more of the following measures:

- Reorient or relocate the receiving antenna.
- Increase the separation between the equipment and receiver.

- Connect the equipment into an outlet on a circuit different from that to which the receiver is connected.
- Consult the dealer or experienced radio TV technician for help.



Change or modifications not expressly approved by the manufacturer responsible for compliance could void the user's authority to operate the equipment.

Canadian radio interference regulations

This digital apparatus does not exceed the Class B limits for radio noise emissions from digital apparatus as set out in the interference-causing equipment standard entitled "Digital Apparatus", ICES-003 of the Industry and Science Canada.

Cet appareil numérique respecte les limites de bruits radioélectriques applicables aux appareils numériques de Classe B prescrites dans la norme sur le matériel brouilleur: "Appareils Numériques", ICES-003 édictée par l'Industrie et Sciences Canada.



United States of America

Federal Communications Commission (FCC)

► Intentional emitter per FCC Part 15

Low power, Radio LAN type devices (radio frequency (RF) wireless communication devices), operating in the 2.4 GHz/5 GHz Band, may be present (embedded) in your printer system. This section is only applicable if these devices are present. Refer to the system label to verify the presence of wireless devices.

Wireless devices that may be in your system are only qualified for use in the United States of America if an FCC ID number is on the system label.

The FCC has set a general guideline of 20 cm (8 inches) separation between the device and the body, for use of a wireless device near the body (this does not include extremities). This device should be used more than 20 cm (8 inches) from the body when wireless devices are on. The power output of the wireless device (or devices), which may be embedded in your printer, is well below the RF exposure limits as set by the FCC.

This transmitter must not be collocated or operation in conjunction with any other antenna or transmitter.

Operation of this device is subject to the following two conditions:
(1) This device may not cause harmful interference, and (2) this device must accept any interference received, including interference that may cause undesired operation of the device.



Wireless devices are not user serviceable. Do not modify them in any way. Modification to a wireless device will void the authorization to use it. Contact manufacturer for service.

FCC Statement for Wireless LAN use:



While installing and operating this transmitter and antenna combination the radio frequency exposure limit of 1m W/cm² may be exceeded at distances close to the antenna installed. Therefore, the user must maintain a minimum distance of 20cm from the antenna at all times. This device cannot be colocated with another transmitter and transmitting antenna.



Russia only

AB57



Минсвязи России



Germany only

Das Gerät ist nicht für die Benutzung am Bildschirmarbeitsplatz gemäß BildschirmarbeitsV vorgesehen.



Turkey only

• RoHS

EEE Yönetmeliğine Uygundur.
This EEE is compliant with RoHS.

• Bu ürünün ortalama yaşam süresi 7 yıl, garanti süresi 2 yıldır.



Canada only

This product meets the applicable Industry Canada technical specifications. / Le présent matériel est conforme aux spécifications techniques applicables d'Industrie Canada.

The Ringer Equivalence Number (REN) is an indication of the maximum number of devices allowed to be connected to a telephone interface. The termination of an interface may consist of any combination of devices subject only to the requirement that the sum of the RENs of all the devices not exceed five. / L'indice d'équivalence de la sonnerie (IES) sert à indiquer le nombre maximal de terminaux qui peuvent être raccordés à une interface téléphonique. La terminaison d'une interface peut consister en une combinaison quelconque de dispositifs, à la seule condition que la somme d'indices d'équivalence de la sonnerie de tous les dispositifs n'exécède pas cinq.



Fax Branding

The Telephone Consumer Protection Act of 1991 makes it unlawful for any person to use a computer or other electronic device to send any message via a telephone facsimile machine unless such message clearly contains in a margin at the top or bottom of each transmitted page or on the first page of the transmission the following information:

- 1 the date and time of transmission
- 2 identification of either business, business entity or individual sending the message; and
- 3 telephone number of either the sending machine, business, business entity or individual.

The Telephone Company may make changes in its communications facilities, equipment operations or procedures where such action is reasonably required in the operation of its business and is not inconsistent with the rules and regulations in FCC Part 68. If such changes can be reasonably expected to render any customer terminal equipment incompatible with telephone company communications facilities, or require modification or alteration of such terminal equipment, or otherwise materially affect its use or performance, the customer shall be given adequate notice in writing, to allow the customer an opportunity to maintain uninterrupted service



Ringer Equivalence Number

The Ringer Equivalence Number and FCC Registration Number for this machine may be found on the label located on the bottom or rear of the machine. In some instances you may need to provide these numbers to the telephone company.

The Ringer Equivalence Number (REN) is a measure of the electrical load placed on the telephone line, and is useful for determining whether you have “overloaded” the line. Installing several types of equipment on the same telephone line may result in problems making and receiving telephone calls, especially ringing when your line is called. The sum of all Ringer Equivalence Numbers of the equipment on your telephone line should be less than five in order to assure proper service from the telephone company. In some cases, a sum of five may not be usable on your line. If any of your telephone equipment is not operating properly, you should immediately remove it from your telephone line, as it may cause harm to the telephone network.

The equipment complies with Part 68 of the FCC rules and the requirements adopted by the ACTA. On the rear of this equipment is a label that contains, among other information, a product identifier in the format US:AAAEQ##TXXXX. If requested, this number must be provided to the telephone company.



FCC Regulations state that changes or modifications to this equipment not expressly approved by the manufacturer could void the user’s authority to operate this equipment. In the event that terminal equipment causes harm to the telephone network, the telephone company should notify the customer that service may be stopped. However, where prior notice is impractical, the company may temporarily cease service, providing that they:

- a promptly notify the customer.
- b give the customer an opportunity to correct the equipment problem.
- c inform the customer of the right to bring a complaint to the Federal Communication Commission pursuant to procedures set out in FCC Rules and Regulations Subpart E of Part 68.

You should also know that:

- Your machine is not designed to be connected to a digital PBX system.
- If you intend to use a computer modem or fax modem on the same phone line as your machine, you may experience transmission and reception problems with all the equipment. It is recommended that no other equipment, except for a regular telephone, share the line with your machine.

- If your area experiences a high incidence of lightning or power surges, we recommend that you install surge protectors for both the power and the telephone lines. Surge protectors can be purchased from your dealer or telephone and electronic specialty stores.
- When programming emergency numbers and/or making test calls to emergency numbers, use a non-emergency number to advise the emergency service dispatcher of your intentions. The dispatcher will give you further instructions on how to actually test the emergency number.
- This machine may not be used on coin service or party lines.
- This machine provides magnetic coupling to hearing aids.

You may safely connect this equipment to the telephone network by means of a standard modular jack, USOC RJ-11C.



Replacing the Fitted Plug (for UK Only)

Important

The mains lead for this machine is fitted with a standard (BS 1363) 13 amp plug and has a 13 amp fuse. When you change or examine the fuse, you must re-fit the correct 13 amp fuse. You then need to replace the fuse cover. If you have lost the fuse cover, do not use the plug until you have another fuse cover.

Contact the people from you purchased the machine.

The 13 amp plug is the most widely used type in the UK and should be suitable. However, some buildings (mainly old ones) do not have normal 13 amp plug sockets. You need to buy a suitable plug adaptor. Do not remove the moulded plug.



If you cut off the moulded plug, get rid of it straight away.

You cannot rewire the plug and you may receive an electric shock if you plug it into a socket.

Important warning:



You must earth this machine.

The wires in the mains lead have the following color code:

- **Green and Yellow:** Earth
- **Blue:** Neutral
- **Brown:** Live

If the wires in the mains lead do not match the colors marked in your plug, do the following:

You must connect the green and yellow wire to the pin marked by the letter "E" or by the safety 'Earth symbol' or colored green and yellow or green.

You must connect the blue wire to the pin which is marked with the letter “N” or colored black.

You must connect the brown wire to the pin which is marked with the letter “L” or colored red.

You must have a 13 amp fuse in the plug, adaptor, or at the distribution board.



Declaration of conformity (European)

Approvals and Certifications

CE The CE marking applied to this product symbolizes Samsung Electronics Co., Ltd. Declaration of Conformity with the following applicable 93/68/EEC Directives of the European Union as of the dates indicated:

Hereby, Samsung Electronics declare that this product is in compliance with the essential requirements and other relevant provisions of:

- **SCX-483x Series, SCX-563x Series:** Low Voltage Directive (2006/95/EC), EMC Directive (2004/108/EC)
- **SCX-573x Series:** R&TTE Directive (1999/5/EC)

The declaration of conformity may be consulted at **www.samsung.com/printer**, go to Support > Download center and enter your printer (MFP) name to browse the EuDoC.

January 1, 1995: Council Directive 2006/95/EC Approximation of the laws of the member states related to low voltage equipment.

January 1, 1996: Council Directive 2004/108/EC (92/31/EEC), approximation of the laws of the Member States related to electromagnetic compatibility.

March 9, 1999: Council Directive 1999/5/EC on radio equipment and telecommunications terminal equipment and the mutual recognition of their conformity. A full declaration, defining the relevant Directives and referenced standards can be obtained from your Samsung Electronics Co., Ltd. representative.

European radio approval information (for products fitted with EU-approved radio devices)

Low power, Radio LAN type devices (radio frequency (RF) wireless communication devices), operating in the 2.4 GHz/5 GHz band, may be present (embedded) in your printer system which is intended for home or office use. This section is only applicable if these devices are present. Refer to the system label to verify the presence of wireless devices.

Wireless devices that may be in your system are only qualified for use in the European Union or associated areas if a CE mark with **CE** a Notified Body Registration Number and the Alert Symbol is on the system label.

The power output of the wireless device or devices that may be embedded in your printer is well below the RF exposure limits as set by the European Commission through the R&TTE directive.

► **European states qualified under wireless approvals:**

EU

Austria, Belgium, Cyprus, Czech Republic, Denmark, Estonia, Finland, France (with frequency restrictions), Germany, Greece, Hungary, Ireland, Italy, Latvia, Lithuania, Luxembourg, Malta, The Netherlands, Poland, Portugal, Slovakia, Slovenia, Spain, Sweden and the U.K.

EEA/EFTA countries

Iceland, Liechtenstein, Norway and Switzerland

► **European states with restrictions on use:**

EU

In France, the frequency range is restricted to 2446.5-2483.5 MHz for devices above 10 mW transmitting power such as wireless

EEA/EFTA countries

No limitations at this time



Regulatory compliance statements

Wireless guidance

Low power, Radio LAN type devices (radio frequency (RF) wireless communication devices), operating in the 2.4 GHz/5 GHz Band, may be present (embedded) in your printer system. The following section is a general overview of considerations while operating a wireless device.

Additional limitations, cautions, and concerns for specific countries are listed in the specific country sections (or country group sections). The wireless devices in your system are only qualified for use in the countries identified by the Radio Approval Marks on the system rating label. If the country you will be using the wireless device in, is not listed, contact your local Radio Approval agency for requirements. Wireless devices are closely regulated and use may not be allowed.

The power output of the wireless device or devices that may be embedded in your printer is well below the RF exposure limits as known at this time. Because the wireless devices (which may be embedded into your printer) emit less energy than is allowed in radio frequency safety standards and recommendations, manufacturer believes these devices are safe for use. Regardless of the power levels, care should be taken to minimize human contact during normal operation.

As a general guideline, a separation of 20 cm (8 inches) between the wireless device and the body, for use of a wireless device near the body (this does not include extremities) is typical. This device should be used more than 20 cm (8 inches) from the body when wireless devices are on and transmitting.

This transmitter must not be collocated or operation in conjunction with any other antenna or transmitter.

Some circumstances require restrictions on wireless devices. Examples of common restrictions are listed below:



Radio frequency wireless communication can interfere with equipment on commercial aircraft. Current aviation regulations require wireless devices to be turned off while traveling in an airplane. IEEE 802.11 (also known as wireless Ethernet) and Bluetooth communication devices are examples of devices that provide wireless communication.



In environments where the risk of interference to other devices or services is harmful or perceived as harmful, the option to use a wireless device may be restricted or eliminated. Airports, Hospitals, and Oxygen or flammable gas laden atmospheres are limited examples where use of wireless devices may be restricted or eliminated. When in environments where you are uncertain of the sanction to use wireless devices, ask the applicable authority for authorization prior to use or turning on the wireless device.



Every country has different restrictions on the use of wireless devices. Since your system is equipped with a wireless device, when traveling between countries with your system, check with the local Radio Approval authorities prior to any move or trip for any restrictions on the use of a wireless device in the destination country.



If your system came equipped with an internal embedded wireless device, do not operate the wireless device unless all covers and shields are in place and the system is fully assembled.



Wireless devices are not user serviceable. Do not modify them in any way. Modification to a wireless device will void the authorization to use it. Contact manufacturer for service.



Only use drivers approved for the country in which the device will be used. See the manufacturer System Restoration Kit, or contact manufacturer Technical Support for additional information.



China only

产品中有毒有害物质或元素的名称及含量

部件名称	有毒有害物质或元素					
	铅 (Pb)	汞 (Hg)	镉 (Cd)	六价铬 (Cr ⁶⁺)	多溴联苯 (PBB)	多溴联苯醚 (PBDE)
塑料	○	○	○	○	○	○
金属 (机箱)	X	○	○	○	○	○
印刷电路部件 (PCA)	X	○	○	○	○	○
电缆 / 连接器	X	○	○	○	○	○
电源设备	X	○	○	○	○	○
电源线	X	○	○	○	○	○
机械部件	X	○	○	○	○	○
卡盒部件	X	○	○	○	○	○
定影部件	X	○	○	○	○	○
扫描仪部件 - CCD (如果有)	X	X	○	○	○	○
扫描仪部件 - 其它 (如果有)	X	○	○	○	○	○
印刷电路板部件 (PBA)	X	○	○	○	○	○
墨粉	○	○	○	○	○	○
滚筒	○	○	○	○	○	○

○：表示该有毒有害物质在该部件所有均质材料中的含量均在 SJ/T 11363-2006 标准规定的限量要求以下。

×：表示该有毒有害物质至少在该部件的某一均质材料中的含量超出 SJ/T 11363-2006 标准规定的限量要求。

以上表为目前本产品含有有毒有害物质的信息。本信息由本公司的配套厂家提供，经本公司审核后而做成，本产品的部分部件含有有毒有害物质，这些部件是在现有科学技术水平下暂时无可替代物质，但三星电子将会一直为满足 SJ/T 11363-2006 标准而做不懈的努力。

© 2010 Samsung Electronics Co., Ltd. All rights reserved.

This user's guide is provided for information purposes only. All information included herein is subject to change without notice.

Samsung Electronics is not responsible for any direct or indirect damages, arising from or related to use of this user's guide.

- Samsung and the Samsung logo are trademarks of Samsung Electronics Co., Ltd.
- Microsoft, Windows, Windows Vista, Windows 7, and Windows Server 2008 R2 are either registered trademarks or trademarks of Microsoft Corporation.
- TrueType, LaserWriter, and Macintosh are trademarks of Apple Computer, Inc.
- All other brand or product names are trademarks of their respective companies or organizations.

Refer to the '**LICENSE.txt**' file in the provided CD-ROM for the open source license information.

REV. 1.00

A

accessories	
ordering	77
address book button	20, 22
arrow button	19, 21

B

back button	20, 22
-------------	--------

C

cleaning	
inside	88
outside	88
pickup roller	90
scan unit	91
cleaning a machine	88
clear button	23
control panel	19
convention	9
copy button	19, 21
copying	
basic copying	57
reducing or enlarging copies	59

D

darkness button	19, 21
default settings	
tray setting	46
direct USB button	20, 22
display screen	19, 21, 23

E

eco button	20, 22
eco printing	54
error message	110

F

favorites settings, for printing	53
fax button	19, 21
fax sending	
multi sending	64
faxing	
adjusting darkness	67
adjusting resolution	66
preparing to fax	63
receiving in Fax mode	65
features	5
print media feature	125
front view	17

G

general icons	9
---------------	---

H

help button	24
-------------	----

I

id copy	60
ID copy button	19, 21

J

jam	
clearing original document	94
clearing paper	101
tips for avoiding paper jams	93

L

Linux	
system requirements	130
loading	
paper in multi-purpose tray	39
paper in the tray1	37
special media	41
loading originals	48

M

Macintosh	
system requirements	129
maintenance parts	79
memory	
installing memory module	84
memory upgrading	84
menu button	20, 22
menu overview	29
multi-purpose tray	
loading	39
tips on using	39
using special media	41

N

network	
installing environment	131
numeric keypad	20, 21, 23

O

OK button	20, 21
on hook dial button	20, 22, 24
optional tray	77
loading paper	37
ordering	77

P

Parallel	
ordering	78
power saver button	20, 22, 23
preparing originals type	47
print media	
card stock	45
envelope	42
labels	44
output support	125
preprinted paper	46
setting the paper size	46
setting the paper type	46
special media	41
transparency	43
Printing	51
printing	
printing a document	
Windows	51
USB memory	70

R

rear view	18
redial/pause button	20, 22
regulatory information	133

reset button	24
resolution	
faxing	66

S

safety	
information	10
symbols	10
scan button	20, 22
scanning	
for local connection	62
USB flash memory	69
specifications	123
print media	125
start button	20, 22, 23
status	20, 22, 23
stop/clear button	20, 22, 23
supplies	
available supplies	76
monitoring the supplies life	86
ordering	76
replacing toner cartridge	82

T

toner cartridge	
-----------------	--

redistributing toner	80	connected	26, 27
replacing the cartridge	82	system requirements	128
tray		wireless LED	23
adjusting the width and length	35		
changing the tray size	35		
loading paper in multi-purpose tray	39		
ordering an optional tray	77		
ordering an parallel	78		
setting the paper size and type	46		

U

understanding the status LED	108
------------------------------	-----

Unix

system requirements	130
---------------------	-----

USB cable

driver installation	26, 27
---------------------	--------

USB flash memory

data backup	71
managing	72
printing	70
scanning	69

using help	53
------------	----

W

Windows

driver installation for USB cable	
-----------------------------------	--