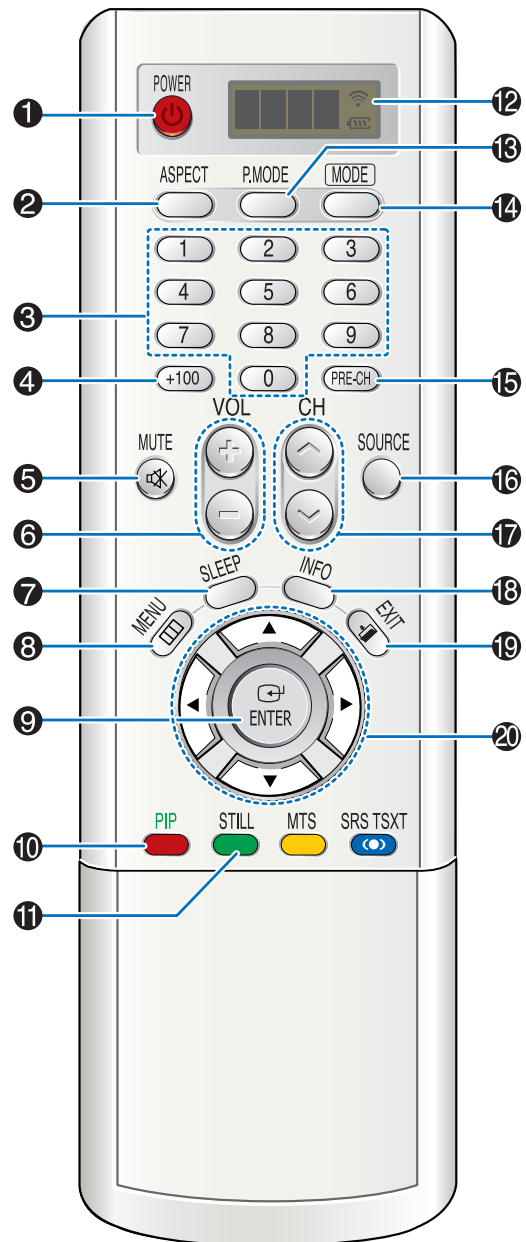


Remote Control Buttons

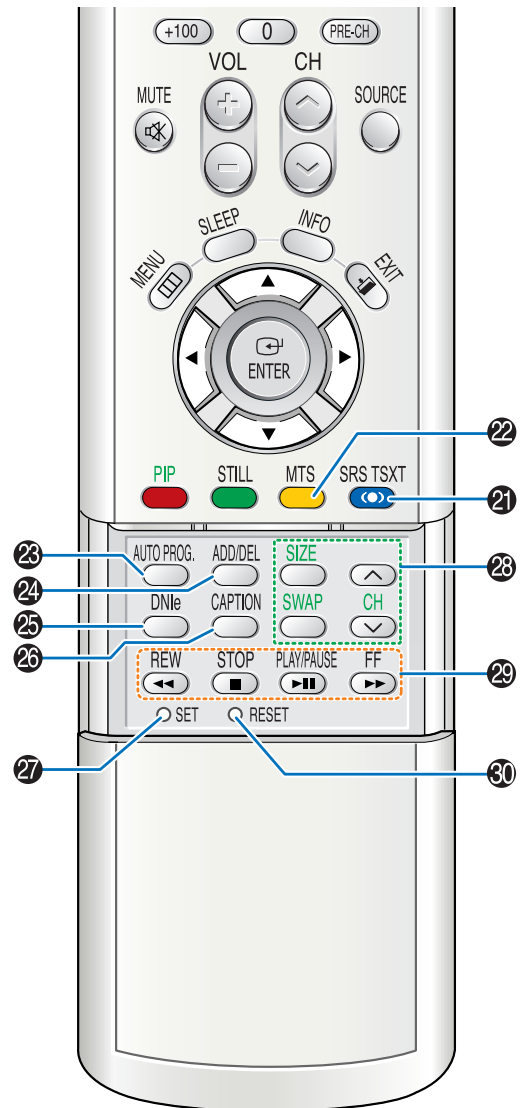
Remote Control

- 1 POWER button**
Turns the PDP on and off.
- 2 ASPECT button**
Press to change the screen size.
- 3 Number buttons**
- 4 +100 button**
Press to select channels over 100. For example, to select channel 121, press "+100", then press "2" and "1."
- 5 MUTE button**
Press to mute the PDP sound.
- 6 VOL (Volume) buttons**
Use it to adjust volume.
- 7 SLEEP button**
Press to select a preset time interval for automatic shutoff.
- 8 MENU button**
Displays the main on-screen menu.
- 9 ENTER button**
Confirms a selection.
- 10 PIP button**
Activates picture in picture.
- 11 STILL button**
Press to pause the current screen.
- 12 LCD Display**
When you press a button, 'Wi-Fi' appears along with selected mode (TV, VCR, CATV, DVD or STB) and the remote's battery charge status.
- 13 P.MODE button**
Adjust the PDP picture by selecting one of the preset factory settings (or select your personal, customized picture settings.)
- 14 MODE button**
Selects a target device to be controlled by the Samsung remote control (i.e., VCR, Cable, DVD players or Samsung STB). If you change modes, the new mode is momentarily displayed on LCD.
- 15 PRE-CH button**
Tunes to the previous channel.
- 16 SOURCE button**
Press to display all of the available video sources (TV, AV1, AV2, AV3, S-VIDEO1, S-VIDEO2, COMPONENT1, COMPONENT2, PC, DVI).
- 17 CH (Channel) buttons**
Use it to switch channels.
- 18 INFO button**
Press to display information on the PDP screen.
- 19 EXIT button**
Press to exit the menu.
- 20 Up/Down Left/Right buttons**
Control the cursor in the menu.



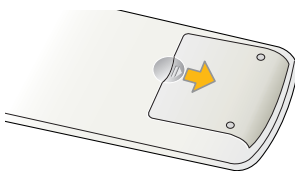
Plasma Display

- 21 SRS TSXT button**
Selects Trusurround XT mode.
- 22 MTS button**
Press to choose stereo, mono or Separate Audio Program (SAP broadcast).
- 23 AUTO PROG. button**
The TV automatically cycles through all of the available channels and stores them in memory.
- 24 ADD/DEL button**
Press to add or delete channels in the TV's memory.
- 25 DNle button**
Activates DNle (Digital Natural Image engine).
- 26 CAPTION button**
Controls the caption decoder.
- 27 SET button**
Used during set up of this Samsung remote control, so that it will work compatibly with other devices (VCR, Cable Box, DVD)
- 28 PIP control buttons**
 - SIZE : Press to make the PIP window Large, Small or Double.
 - SWAP : Exchanges the video signal that is currently displayed on the main screen with the signal in the PIP window.
 - CH \wedge, \vee : Displays the available channels in sequence. (These buttons change channels in the PIP window only).
- 29 VCR, DVD control buttons**
Controls VCR tape or DVD disc functions: Stop, Rewind, Play/Pause, Fast Forward.
- 30 RESET button**
If your remote control is not functioning properly, take out the batteries and press the reset button for about 2~3 seconds. Re-insert the batteries and try using the remote control again.

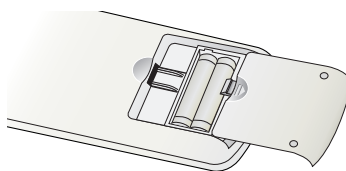


Installing the Batteries in Your Remote Control

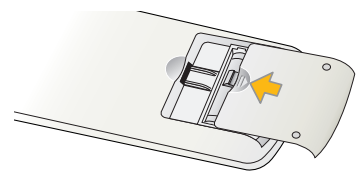
1 Slide the back cover to open the battery compartment of the remote control.



2 Install two AAA size batteries. Make sure to match the "+" and "-" ends of the batteries with the diagram inside the compartment.



3 Slide the cover back into place.



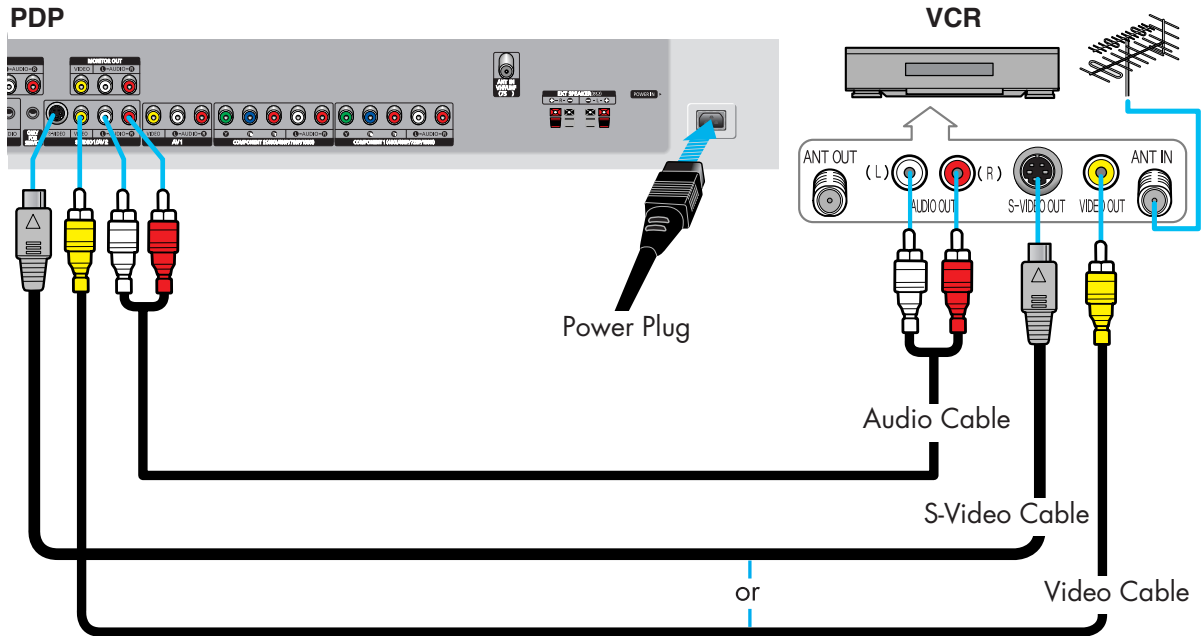
Remote Control Operation Range.

You can use your remote control within a distance of 23 feet and an angle of 30 degrees from the left and right sides of the PDP's remote control receiver.



Connecting a VCR

Connecting a VCR to the Video or S-Video/Audio jack



How to Connect

Connect the Video/Audio cables between the VIDEO or S-VIDEO / L - AUDIO - R jacks on the PDP and VIDEO or S-VIDEO / L - AUDIO - R output jacks on the VCR. (Note: For better video, you can use an S-Video cable.)

Note

- Please be sure to match the color coded input terminals and cable jacks.

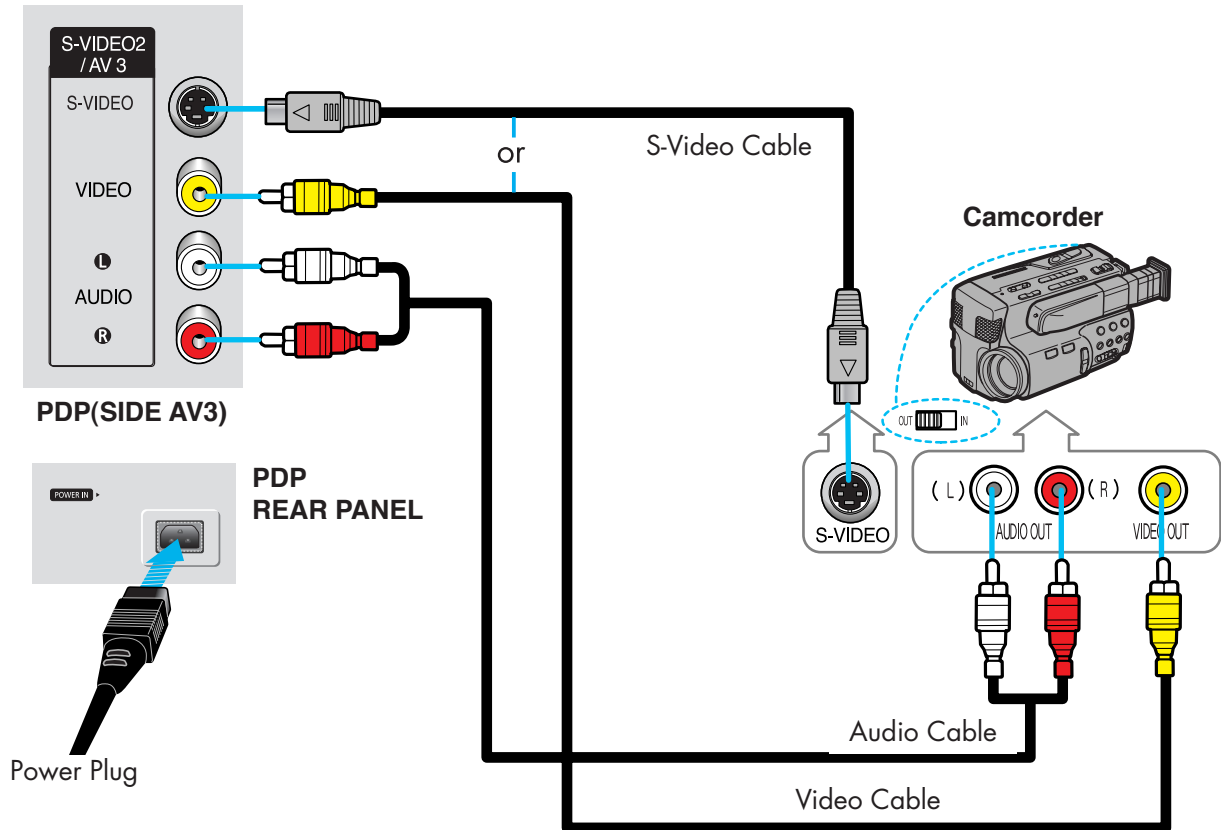
Videotape Playback:

1. Turn on your PDP.
2. Press the SOURCE button to select "Video(AV1, AV2 or AV3)" or "S-Video(S-VIDEO1 or S-VIDEO2)".
3. Turn on your VCR, insert a videotape and press the play button.



Connecting a Camcorder

Viewing camcorder tapes



How to Connect

Connect a Video/Audio cable between the VIDEO or S-VIDEO / L - AUDIO - R jacks on the PDP and the VIDEO or S-VIDEO /AUDIO output jacks on the camcorder. (Note: For better video, you can use an S-VIDEO cable)

Note

- Please be sure to match the color coded input terminals and cable jacks.

Viewing Tapes

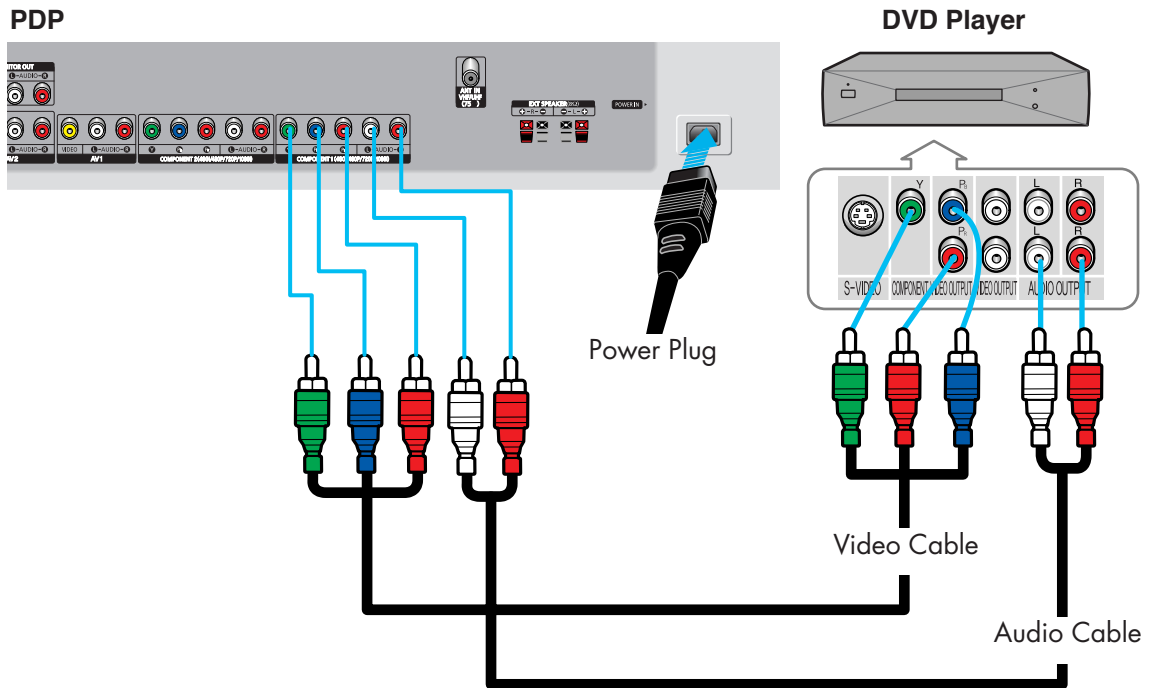
1. Turn on your PDP.
2. Press the SOURCE button to select "Video(AV1, AV2 or AV3)" or "S-VIDEO(S-VIDEO1 or S-VIDEO2)".
3. Turn on your camcorder and set it to Video Mode. (For details, refer to your camcorder Owner's instructions.)
4. Set the IN/OUT switch on your camcorder to OUT.
5. Insert the tape into the camcorder and press the Play button.



Connecting a DVD Player (480i, 480p)

This PDP displays the optimum picture in 720p mode.

Playing DVD



How to Connect

- 1 Connect a Video Cable between the Y, P_b, P_r (COMPONENT1, 2) input jacks on the PDP and Y/P_b/P_r output jacks on the DVD player.
- 2 Connect a Audio Cable between the AUDIO L/R(COMPONENT1, 2) input jacks on the PDP and the AUDIO output jacks on the DVD player.

Note

- Please be sure to match the color coded input terminals and cable jacks.

To Play DVD:

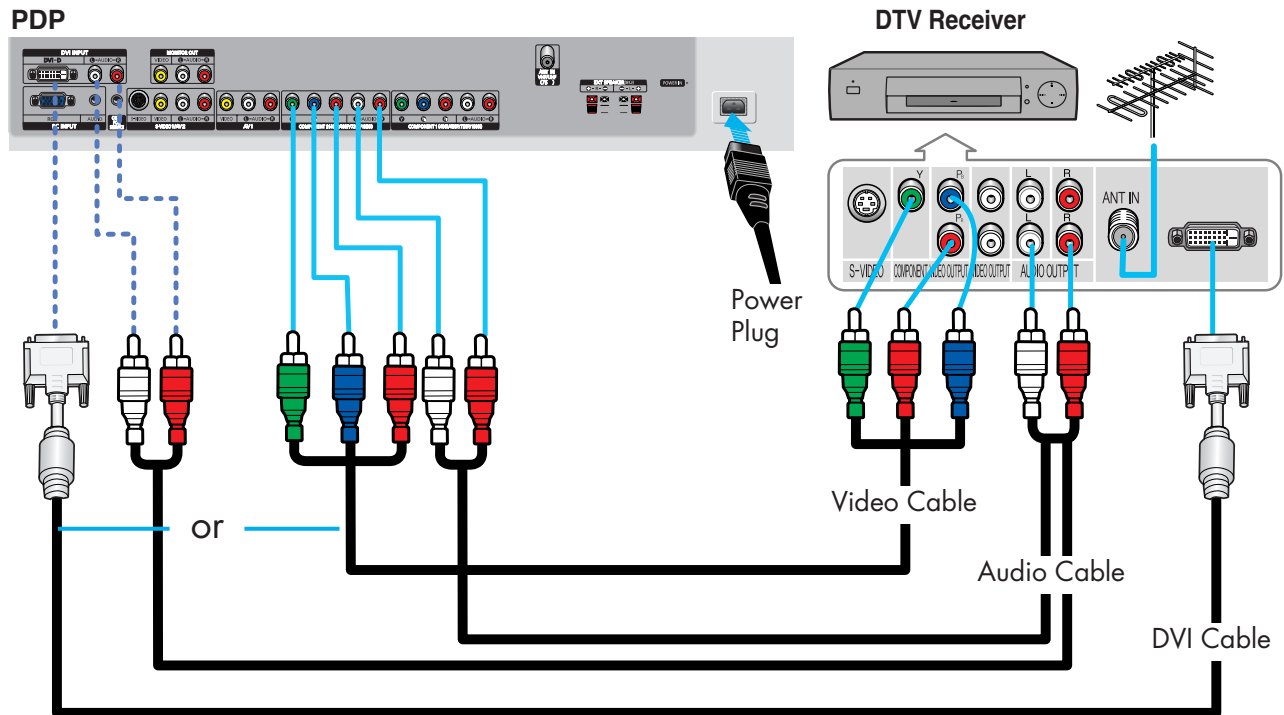
1. Turn on your PDP.
2. Press the SOURCE button to select "COMPONENT1" or "COMPONENT2".
3. Turn on your DVD player, insert a DVD disc and press the Play button.
 - For an explanation of Component video, see your DVD owner's instructions.



Connecting a DTV Receiver (480p, 720p, 1080i)

This PDP displays the optimum picture in 720p mode.

Watching DTV



Use a DVI-D connection cable. (sold separately)

How to Connect

- 1 Connect the cable or antenna to the antenna input jack on the DTV.
- 2 Connect a Video cable between the Y, Pb, Pr (COMPONENT 1, 2) or DVI jack on the PDP and the Y, Pb, Pr (COMPONENT) or DVI output jacks on the DTV receiver.
- 3 Connect an Audio cable between the COMPONENT 1, 2 (L/R AUDIO) or DVI (L/R AUDIO) jacks on the PDP and the AUDIO OUTPUT jacks on the DTV receiver.

Note

- Please be sure to match the color coded input terminals and cable jacks.

To Watch DTV:

1. Turn on your PDP.
2. Press the SOURCE button to select "COMPONENT1", "COMPONENT2" or "DVI".
3. Turn on your DTV receiver.
 - For an explanation of Component video, see your DTV receiver owner's instructions.