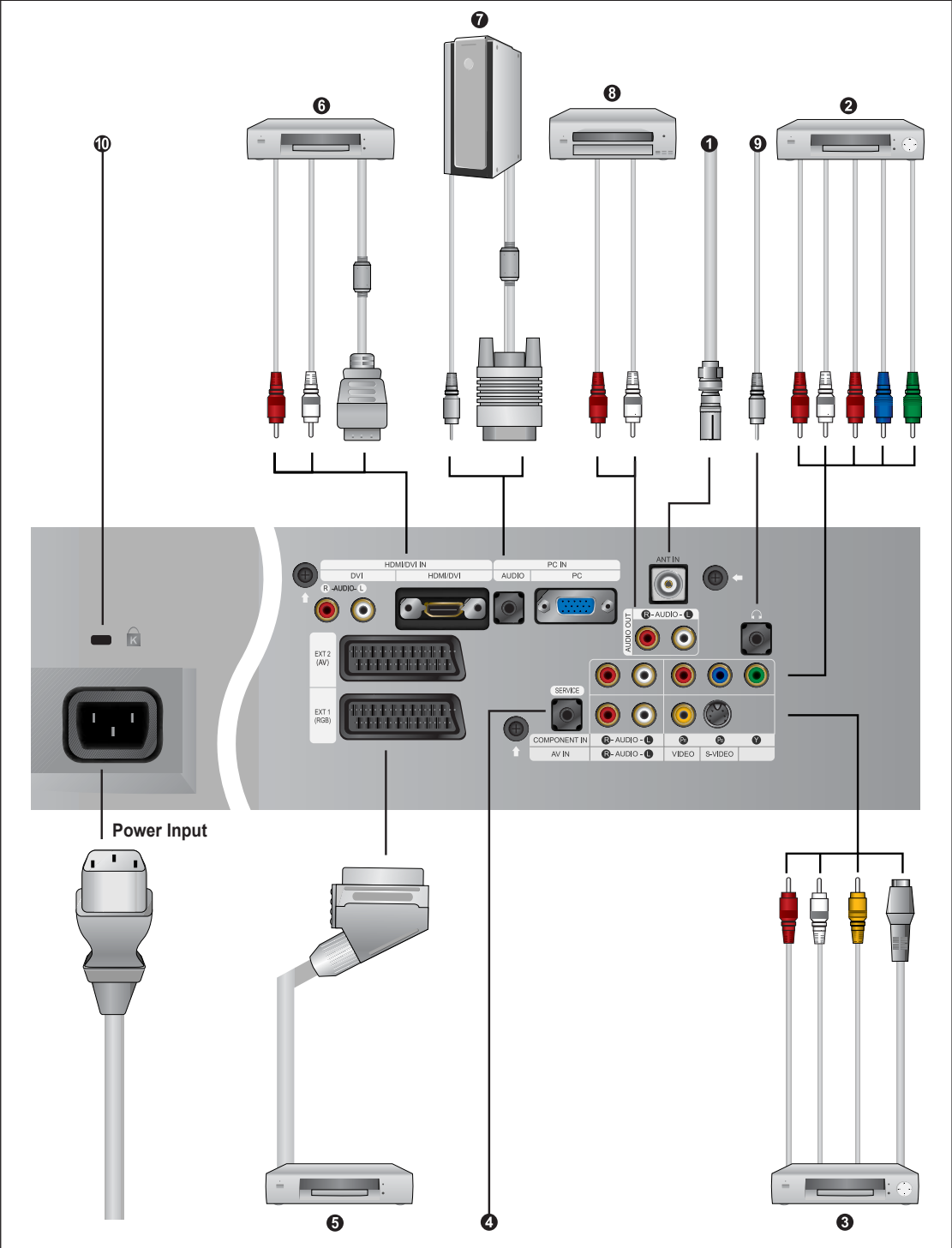


Viewing the Connection Panel

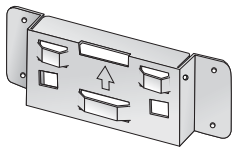


Whenever you connect an audio or video system to your set, ensure that all elements are switched off.

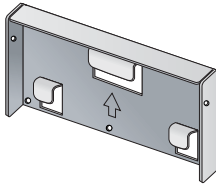
Installing the Wall Mount Kit (LE26R51B)

➤ **This installation is to be used when attaching the wall mount to a concrete wall. When attaching to other building materials, please contact your nearest dealer.**

Components (Sold separately)



a Wall-Bracket



b Set-Bracket



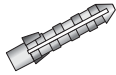
M4 X L15

c Screw: 8EA

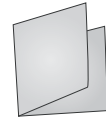


M4 X L20

d Wood Screw: 4EA



e Anchor: 4EA

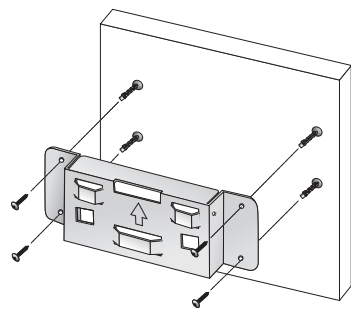


f Installation Guide

How to assemble the Wall Mount Bracket

- 1 ① Mark the location of hole on the wall.
- ② Drill a hole of 35mm depth on the marked location.
- ③ Fix anchors **e** on each hole on the wall.
- ④ Connect wall-bracket **a** to the wall with wood screws **d** after fitting anchors **e** into the wall-bracket **a**.

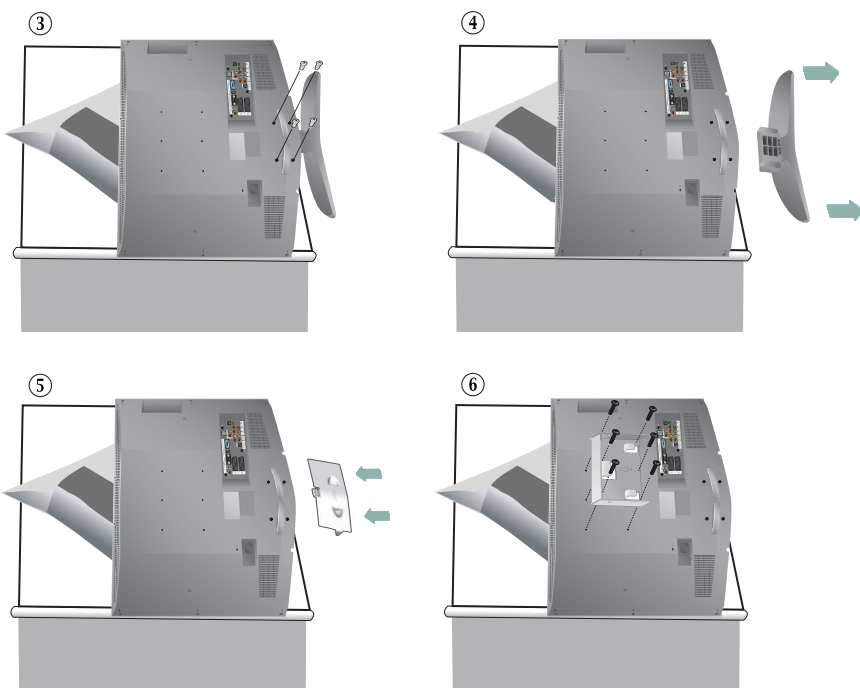
Note: If the bracket is not firmly fixed to the wall, LCD TV can fall off.



Installing the Wall Mount Kit (LE26R51B)

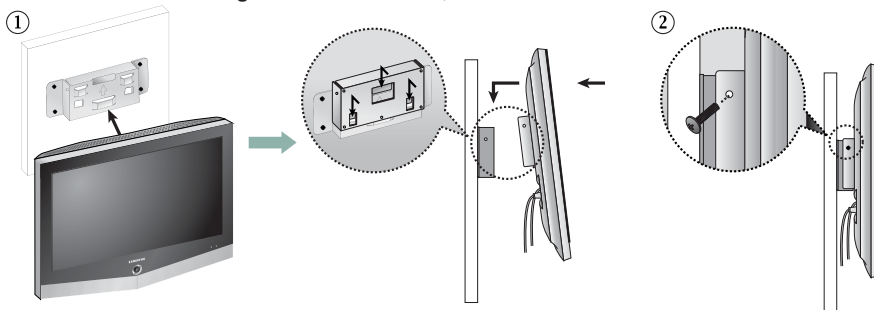
How to assemble the Wall Mount Bracket

- 2 ① Turn the power off and unplug the power cord from the outlet.
- ② Place the TV faced down on a soft cloth or cushion on a table.
- ③ Remove the four screws from the back of the TV.
- ④ Separate the stand from the TV.
- ⑤ Cover the bottom hole with a cap.
- ⑥ Attach the set-bracket **b** onto the rear side of the TV set and secure the screws **c**.



- 3 ① Insert three Hangers of the set-bracket **b** into the grooves of the wall-bracket **a**.
- ② Fix set-bracket **b** and wall-bracket **a** with screws **c**.

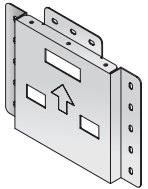
Note: Before installing the set on the wall, connect the cables to the set first.



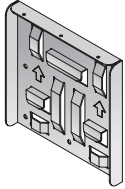
Installing the Wall Mount Kit (LE32R51B, LE40R51B)

➤ **This installation is to be used when attaching the wall mount to a concrete wall. When attaching to other building materials, please contact your nearest dealer.**

Components (Sold separately)



a Wall-Bracket



b Set-Bracket



M6 X L14

c Screw: 8EA



M4 X L25

d Wood Screw: 7EA

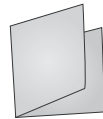


e Anchor: 7EA



M4 X L8

f Screw: 3EA

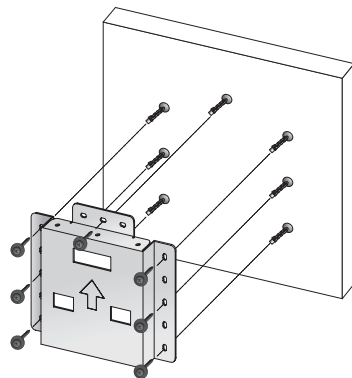


g Installation Guide

How to assemble the Wall Mount Bracket

- 1 ① Mark the location of hole on the wall.
- ② Drill a hole of 35mm depth on the marked location.
- ③ Fix anchors **e** on each hole on the wall.
- ④ Connect wall-bracket **a** to the wall with wood screws **d** after fitting anchors **e** into the wall-bracket **a**.

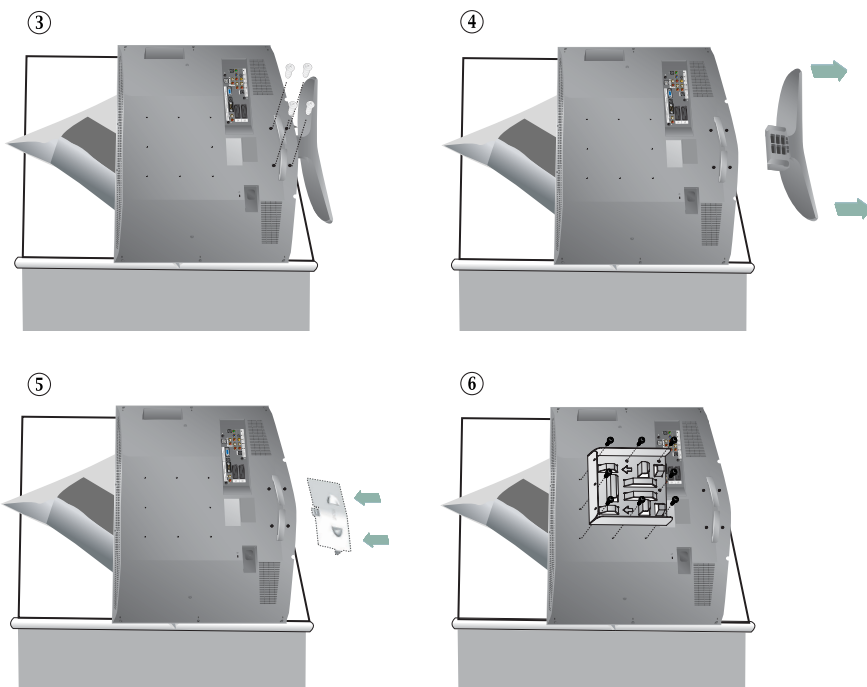
Note: If the bracket is not firmly fixed to the wall, LCD TV can fall off.



Installing the Wall Mount Kit (LE32R51B, LE40R51B)

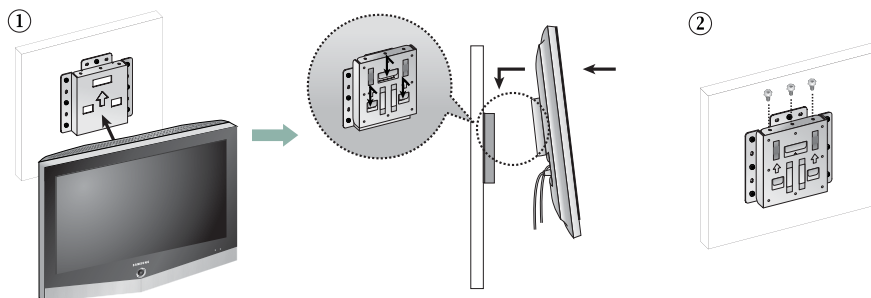
How to assemble the Wall Mount Bracket

- 2 ① Turn the power off and unplug the power cord from the outlet.
- ② Place the TV faced down on a soft cloth or cushion on a table.
- ③ Remove the four screws from the back of the TV.
- ④ Separate the stand from the TV.
- ⑤ Cover the bottom hole with a cap
- ⑥ Attach the set-bracket **b** onto the rear side of the TV set and secure the screws **c**.

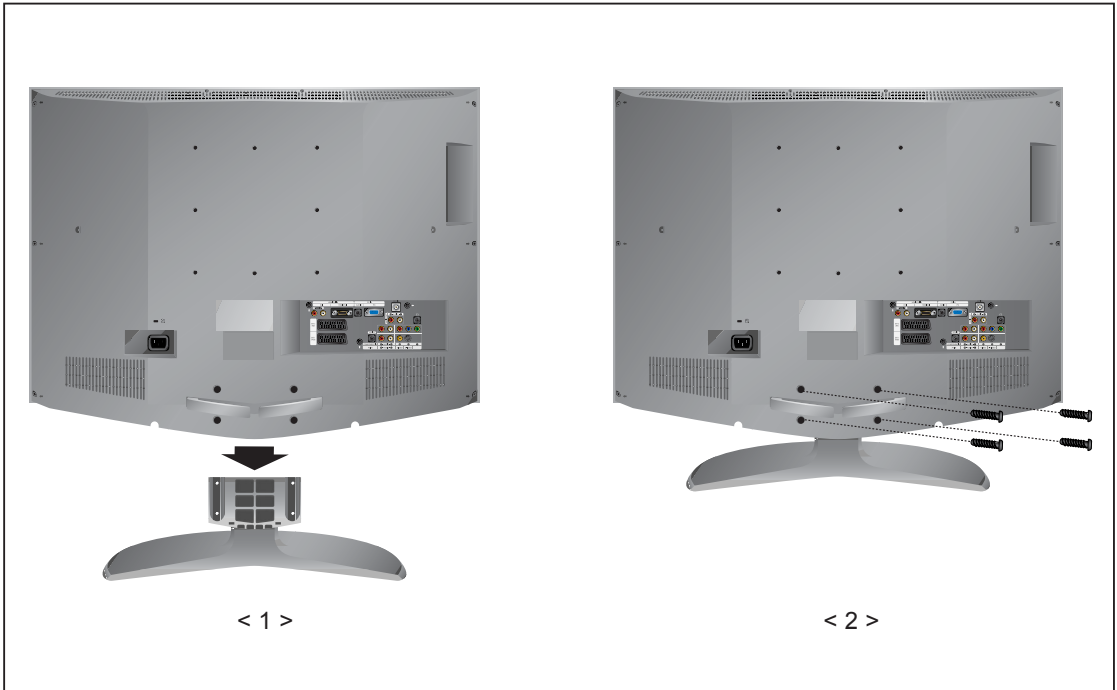


- 3 ① Insert three Hangers of the set-bracket **b** into the grooves of the wall-bracket **a**.
- ② Fix set-bracket **b** and wall-bracket **a** with screws **f**.

Note: Before installing the set on the wall, connect the cables to the set first.



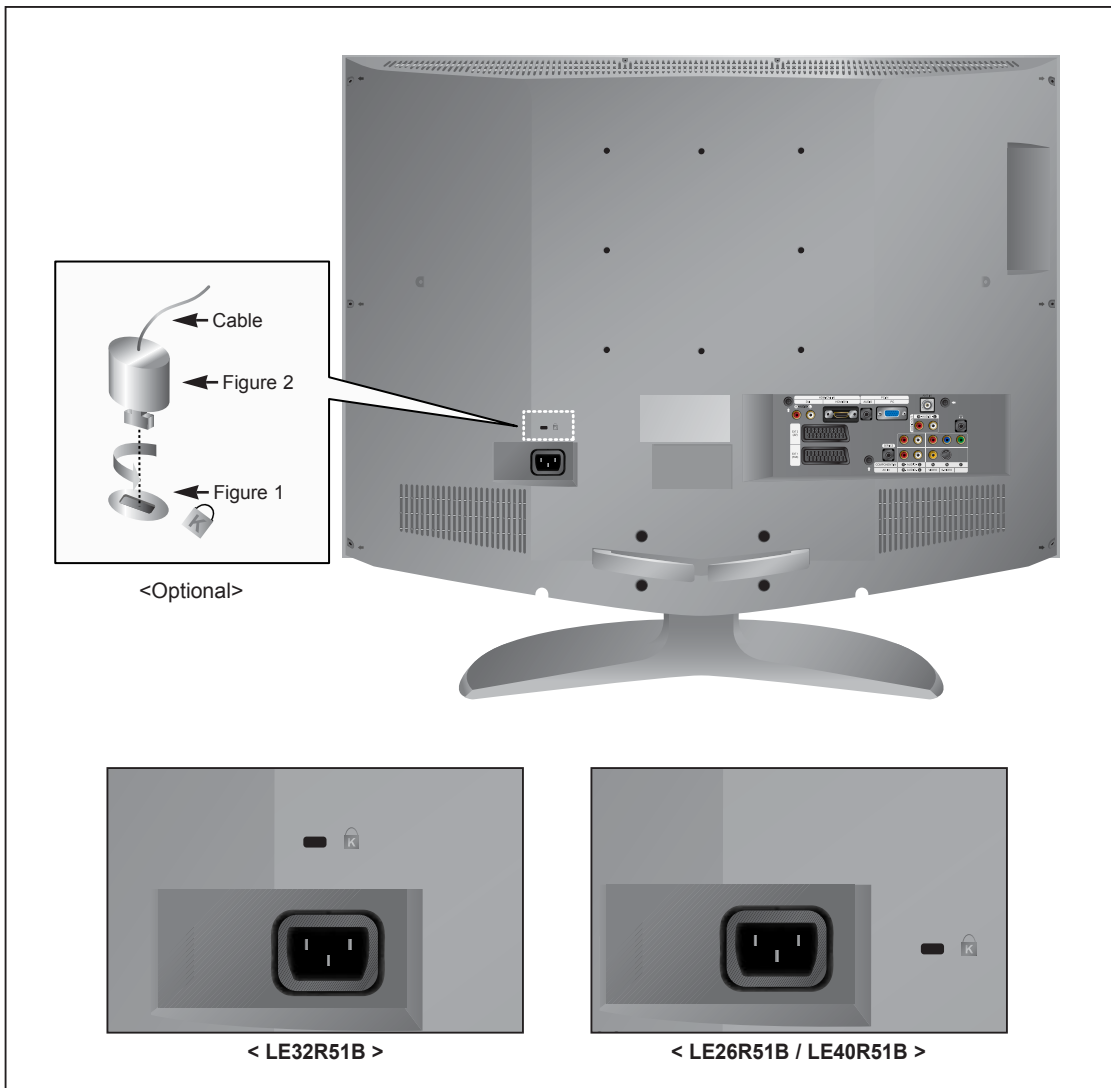
Installing the stand (LE26R51B, LE32R51B)



1. Lower the TV set in the direction of the arrow and fix the stand.
2. Use the four screws to tightly fix the stand.

Using the Anti-Theft Kensington Lock

The Kensington lock is a device used to physically fix the system when using it in a public place. The locking device has to be purchased separately. The appearance and locking method may differ from the illustration depending on the manufacturer. Please refer to the manual provided with the Kensington lock for proper use.



1. Insert the locking device into the Kensington slot on the LCD TV (Figure 1), and turn it in the locking direction (Figure 2).
2. Connect the Kensington lock cable.
3. Fix the Kensington lock to a desk or a heavy stationary object.

Technical and Environmental Specifications

Model Name	LE26R51B	LE32R51B	LE40R51B
Panel			
Size	26" Diagonal (16:9)	32" Diagonal (16:9)	40" Diagonal (16:9)
Display Size	575.77(H) x 323.71(V) mm (22.67(H) x 12.74(V) inches)	697.68 (H) x 392.26 (V) mm (27.47 (H) x 15.44 (V) inches)	885.17 (H) x 497.66 (V) mm (34.85 (H) x 19.59 (V) inches)
Type	a-si TFT active matrix	a-si TFT active matrix	a-si TFT active matrix
Pixel Pitch	0.4215(H) x 0.4215(V) mm (0.0166(H) x 0.0166(V) inches)	0.511 (H) x 0.511 (V) mm (0.0201 (H) x 0.0201(V) inches)	0.648 (H) x 0.216 (V) mm (0.027 (H) x 0.0085 (V) inches)
Viewing Angle	170/170 (H/V)	170/170 (H/V)	170/170 (H/V)
Resolution	1366 (H) x 768 (v)	1366 (H) x 768 (V)	1366 (H) x 768 (V)
Frequency			
Horizontal	30 ~ 61 kHz	30 ~ 61 kHz	30 ~ 61 kHz
Vertical	60 ~ 75 Hz	60 ~ 75 Hz	60 ~ 75 Hz
Display Colour	16,777,216 colours	16,777,216 colours	16,777,216 colours
PC Resolution			
Maximum	1360 x 768 @ 60 Hz	1360 x 768 @ 60Hz	1360 x 768 @ 60Hz
Optimum	1360 x 768 @ 60 Hz	1360 x 768 @ 60 Hz	1360 x 768 @ 60 Hz
Input Signal			
Sync.	H/V Separate, TTL, P. or N.	H/V Separate, TTL, P. or N.	H/V Separate, TTL, P. or N.
Video Signal	0.7 Vp-p @ 75 ohm	0.7 Vp-p @ 75 ohm	0.7 Vp-p @ 75 ohm
TV			
Colour System	PAL, SECAM-B/G, D/K, I, I/I, L/L', NTPB (AV3.58, 4.43)	PAL, SECAM-B/G, D/K, I, I/I, L/L', NTPB (AV3.58, 4.43)	PAL, SECAM-B/G, D/K, I, I/I, L/L', NTPB (AV3.58, 4.43)
Sound System	BG, DK, I, L	BG, DK, I, L	BG, DK, I, L
Video			
Colour System	PAL/NTSC/SECAM	PAL/NTSC/SECAM	PAL/NTSC/SECAM
Video System	CVBS, S-VHS, RGB	CVBS, S-VHS, RGB	CVBS, S-VHS, RGB
SCART 1			
Video Input/Output	1.0 Vp-p @ 75 ohm	1.0 Vp-p @ 75 ohm	1.0 Vp-p @ 75 ohm
RGB Input	0.7 Vp-p @ 75 ohm	0.7 Vp-p @ 75 ohm	0.7 Vp-p @ 75 ohm
Audio Input/Output	500mVrms	500mVrms	500mVrms
SCART 2			
Video Input/Output	1.0 Vp-p @ 75 ohm	1.0 Vp-p @ 75 ohm	1.0 Vp-p @ 75 ohm
Audio Input/Output	500mVrms	500mVrms	500mVrms
Power Supply			
Input	AC 220 ~ 240 V, 60/50 Hz ±3Hz	AC 220 ~ 240 V, 60/50 Hz ±3Hz	AC 220 ~ 240 V, 60/50 Hz ±3Hz
Power Consumption			
Maximum	140 W	184 W	285 W
Power Saving	<1.2 W	< 1 W	< 1 W
Dimension (W x D x H)			
Body	662.0 x 94.0 x 497.8 mm (26.06 x 3.70 x 19.598 inches)	797.0 x 99.0 x 592.0 mm (31.38 x 3.898 x 23.31 inches)	989.0 x 333.1 x 762.6 mm (38.94 x 13.11 x 30.02 inches)
With stand	662.0 x 206.0 x 539.0 mm (26.06 x 8.11 x 21.22 inches)	797.0 x 249.0 x 650.7 mm (31.38 x 9.80 x 25.62 inches)	989.0 x 110.0 x 702.6 mm (38.94 x 4.33 x 27.66 inches)

Technical and Environmental Specifications

Model	LE26R51B	LE32R51B	LE40R51B
Weight With stand	11.3 kg (24.91 lbs)	17.7 kg (39.02 lbs)	27.2 kg (59.96 lbs)
Environmental Considerations			
Operating Temperature	10°C to 40°C (50°F to 104°F)	10°C to 40°C (50°F to 104°F)	10°C to 40°C (50°F to 104°F)
Operating Humidity	10% to 80%, non-condensing	10% to 80%, non-condensing	10% to 80%, non-condensing
Storage Temperature	-20°C to 45°C (-4°F to 113°F)	-20°C to 45°C (-4°F to 113°F)	-20°C to 45°C (-4°F to 113°F)
Storage Humidity	5% to 95%, non-condensing	5% to 95%, non-condensing	5% to 95%, non-condensing
Audio Characteristics			
Audio Input	RCA Jack(L, R), 0.5 Vrms(-9dB)	RCA Jack (L, R), 0.5Vrms (-9dB)	RCA Jack (L, R), 0.5Vrms (-9dB)
Audio Input (PC)	3.5Ø Stereo Jack, 0.5Vrms (-9dB)	3.5Ø Stereo Jack, 0.5Vrms (-9dB)	3.5Ø Stereo Jack, 0.5Vrms (-9dB)
Headphone Output	Max. 10mW Output (3.5Ø Stereo Jack, 32Ω)	Max. 10mW Output (3.5Ø Stereo Jack, 32Ω)	Max. 10mW Output (3.5Ø Stereo Jack, 32Ω)
Frequency Response	RF: 80Hz ~ 15kHz (at -3dB) AV: 80Hz ~ 20kHz (at -3dB)	RF: 80Hz ~ 15kHz (at -3dB) AV: 80Hz ~ 20kHz (at -3dB)	RF: 80Hz ~ 15kHz (at -3dB) AV: 80Hz ~ 20kHz (at -3dB)
Sound			
Output	5 W X 2	10 W X 2	10 W X 2
3D Surround	SRS TrusurroundXT	SRS TrusurroundXT	SRS TrusurroundXT
Stereo	Nicam/A7	Nicam/A3	Nicam/A2

Display Mode (PC)

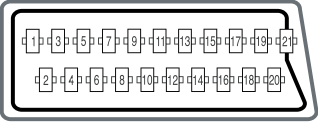
*Both screen position and size will vary depending on the type of PC monitor and its resolution.
The table below shows all of the display modes that are supported:*

Mode	Resolution	Horizontal Frequency (kHz)	Vertical Frequency (Hz)	Pixel Clock Frequency (MHz)	Sync Polarity (H/V)
IBM	640 x 480	31.469	59.940	25.175	- / -
	720 x 400	31.469	70.087	28.322	- / +
VESA	640 x 480	37.861	72.809	31.500	- / -
	640 x 480	37.500	75.000	31.500	- / -
	800 x 600	37.879	60.317	40.000	+ / +
	800 x 600	48.077	72.188	50.000	+ / +
	800 x 600	46.875	75.000	49.500	+ / +
	1024 x 768	48.364	60.000	65.000	- / -
	1024 x 768	56.476	70.069	75.000	- / -
	1024 x 768	60.023	75.029	78.750	+ / +
	1360 x 768	47.712	60.015	85.800	+ / +

- ◆ The interlace mode is not supported.
- ◆ The set might operate abnormally if a non-standard video format is selected.
- ◆ DVI dose not support PC function.

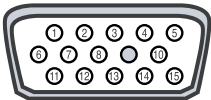
Pin Configurations

SCART Connector



Pin	Signal	Pin	Signal
1	Audio output R	12	-
2	Audio input R	13	Video chassis return (RGB red)
3	Audio output L	14	-
4	Audio chassis return	15	RGB red input
5	Video chassis return (RGB blue)	16	Blanking signal (RGB switching)
6	Audio input L	17	Video chassis return
7	RGB blue input	18	Blanking signal ground
8	Switching voltage	19	Video output
9	Video chassis return (RGB green)	20	Video input
10	AV-Link (Ext 1)	21	Screening/chassis return
11	RGB green input		

PC Input Connector (15Pin)



Pin	Signal	Pin	Signal
1	Red (R)	9	Reserved
2	Green (G)	10	Sync Grounding
3	Blue (B)	11	Grounding
4	Grounding	12	Data (DDC)
5	Grounding (DDC)	13	Horizontal sync.
6	Red (R) Grounding	14	Vertical sync.
7	Green (G) Grounding	15	Clock (DDC)
8	Blue (B) Grounding		