

NE58F9500SS
NE58K9500SG

Electric Range

user manual

imagine the possibilities

Thank you for purchasing this Samsung product.

SAMSUNG

anti-tip device



WARNING - To reduce the risk of tipping the range, the range must be secured by a properly installed Anti-Tip device. **AFTER THE RANGE HAS BEEN INSTALLED, CONFIRM THAT THE ANTI-TIP DEVICE HAS BEEN PROPERLY INSTALLED AND VERIFY THAT THE ANTI-TIP DEVICE IS PROPERLY ENGAGED.** Refer to the installation manual for instructions.

- a) If the anti-tip device is not installed, a child or adult can tip the range and be killed.
- b) Verify the anti-tip device has been properly installed and engaged at rear right (or rear left) of the range bottom.
- c) If you move the range and then move it back into place, ensure the anti-tip device is re-engaged at the right or left rear of the range bottom.
- d) Do not operate the range without the anti-tip device in place and engaged.
- e) Failure to do so can result in death or serious burns to children or adults.



WARNING

- Do not step, lean, or sit on the oven door of the range.** You can cause the range to tip, resulting in burns or serious injuries.
- Confirm that the Anti-Tip device is installed properly. Then, to verify that the Anti-Tip device is engaged, grasp the top rear edge of the range and carefully attempt to tilt it forward. The Anti-Tip device should prevent the range from tilting forward more than a few inches.

If you pull the range out from the wall for any reason, make sure the anti-tip device is properly engaged when you push the range back against the wall. If it is not, there is a risk of the range tipping over and causing injury if you or a child stand, sit or lean on an open door.

Never completely remove the leveling legs. If you remove the leveling legs, the range will not be secured to the anti-tip device properly.

contents

IMPORTANT SAFETY INSTRUCTIONS

5

5 Important safety instructions

INSTALLING THE OVEN

18

18 About this section

18 For your safety

PREPARING TO INSTALL THE RANGE

19

19 Remove packaging

19 Prepare tools & Parts

20 Checking the installation site

CONNECTING THE POWER

22

22 Step 1. Meeting electrical connection requirements

23 Step 2. Accessing the power cord connection

24 Step 3. Installing the power cord

26 Step 4. Installing the conduit

27 Step 5. Replacing the access cover

INSTALLING THE RANGE

28

28 Installing the anti-tip device

29 Finalizing the installation

INTRODUCING YOUR NEW RANGE

30

30 Overview

30 What's included with your range

BEFORE YOU BEGIN

31

31 Before you begin

GETTING STARTED

31

31 Setting the clock

31 Control panel display modes

32 Turning the oven light on and off

32 Control lockout

32 Setting the kitchen timer

contents

SURFACE COOKING

33

- 33 About surface cooking
- 35 How to set the appliance for surface cooking
- 37 Using the proper cookware
- 37 Choosing the proper cookware
- 38 Protecting the cooktop surface

OPERATING THE OVEN

39

- 39 The oven control panel
- 40 Using the oven racks
- 42 Minimum and maximum settings
- 42 Baking
- 43 Convection baking
- 44 Convection roasting
- 44 Timed cooking
- 45 Delay start
- 46 Broiling
- 47 Using the favorite cook feature
- 47 Using the healthy cook feature
- 50 Using the keep warm function
- 50 Using the bread proof function
- 51 Using the options function
- 53 Using the temp probe
- 55 Setting the sabbath feature

MAINTAINING YOUR APPLIANCE

56

- 56 Self-cleaning
- 58 Steam-cleaning
- 59 Care and cleaning of the oven
- 60 Care and cleaning of the glass cooktop
- 63 Removing and replacing the oven door
- 64 Removing and replacing the storage drawer
- 65 Changing the oven light

TROUBLESHOOTING

66

- 66 Troubleshooting

WARRANTY

70

- 70 Warranty (U.S.A)
- 71 Warranty (CANADA)

important safety instructions











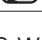
Read and follow all instructions before using your oven to prevent the risk of fire, electric shock, personal injury, or damage when using the range. This guide does not cover all possible conditions that may occur. Always contact your service agent or manufacturer about problems that you do not understand.

WHAT YOU NEED TO KNOW ABOUT SAFETY INSTRUCTIONS

Warnings and Important Safety Instructions in this manual do not cover all possible conditions and situations that may occur. It is your responsibility to use common sense, caution, and care when installing, maintaining, and operating your oven.

IMPORTANT SAFETY SYMBOLS AND PRECAUTIONS

What the icons and symbols in this user manual mean:

 WARNING	Hazards or unsafe practices that may result in severe personal injury or death.
 CAUTION	Hazards or unsafe practices that may result in minor personal injury or property damage.
 CAUTION	To reduce the risk of fire, explosion, electric shock, or personal injury when using your oven, follow these basic safety precautions.
	Do NOT attempt.
	Do NOT disassemble.
	Do NOT touch.
	Follow directions explicitly.
	Unplug the power plug from the wall socket.
	Make sure the machine is grounded to prevent electric shock.
	Call the service center for help.
	Note

These warning icons and symbols are here to prevent injury to you and others. Please follow them explicitly.

After reading this section, keep it in a safe place for future reference.

STATE OF CALIFORNIA PROPOSITION 65

WARNING (US ONLY)

WARNING : This product contains chemicals known to the State of California to cause cancer and birth defects or other reproductive harm.

FOR YOUR SAFETY

When using electrical appliances, you should follow basic safety precautions, including the following:



Use this appliance only for its intended purpose as described in this Owner's Manual.

Potentially hot surfaces include the cooktop, areas facing the cooktop, oven vent opening, surfaces near the opening, and crevices around the oven door.



Be sure your appliance is properly installed and grounded by a qualified technician.



User servicing - Do not repair or replace any part of the appliance unless specifically recommended in the manual. All other servicing should be referred to a qualified technician.



Always disconnect the power to the appliance before servicing by removing the fuse or switching off the circuit breaker.



Do not enter the oven.

Do not store items of interest to children in cabinets above a range or on the back guard of a range. Children climbing on the range to reach items could be seriously injured.

Do not leave children alone. Never leave children alone or unattended in an area where this appliance is in use. They should never be allowed to sit or stand on any part of the appliance.

Never use your appliance for warming or heating the room.

Do not use water on grease fires. Turn off the oven to avoid spreading the flame. Smother the fire or flame by closing the door or use a dry chemical, baking soda, or foam-type extinguisher.

Avoid scratching or impacting glass doors, cooktops or control panels. Doing so may lead to glass breakage. Do not cook on a product with broken glass. Shock, fire or cuts may occur.

- ☒ If there is a fire in the oven during baking, smother the fire by closing the oven door and turning the oven off or by using a multi-purpose dry chemical or foam-type fire extinguisher.

If there is a fire in the oven during self-clean, turn the oven off and wait for the fire to go out. Do not force the door open. Introduction of fresh air at self-clean temperatures may lead to a burst of flame from the oven. Failure to follow this instruction may result in severe burns.

If the oven is heavily soiled with oil, self clean the oven before using the oven again. Leaving the oil in place creates a risk of fire.

Wipe up heavy soil on the oven bottom with a paper towel or rag before self cleaning. Self cleaning the oven when there is heavy soil on the oven bottom requires longer cleaning cycles and produces more smoke.

- ★ **Storage in or on appliance.** Do not store flammable materials in the oven or near the surface units. Be sure all packing materials are removed from the appliance before operating it. Keep plastics, clothes, and paper away from parts of the appliance that may become hot.

Wear proper apparel. Never wear loose-fitting or hanging garments while using the appliance.

Use only dry potholders. Placing moist or damp potholders on hot surfaces may result in burns from steam. Do not let the potholder touch hot heating elements. Do not use a towel or other bulky cloth on or near the range.

Teach children not to play with the controls or any other part of the range.

For your safety, do not use high-pressure water cleaners or steam jet cleaners to clean the any part of the range.

If the power cord is damaged, it must be replaced by the manufacturer, its service agent or similarly qualified persons to avoid creating a hazard.

The appliance is not intended for use by persons (including children) with reduced physical, sensory or mental capabilities, or lack of experience and knowledge, unless they have been given supervision or instruction concerning use of the appliance by a person responsible for their safety.

Do not lean on the range as you may turn the control knobs inattentively.

SURFACE COOKING UNITS

- ☐ **Never leave surface units unattended at high heat settings.** Boilovers cause smoking and greasy spillovers that may ignite.

To avoid oil spillover and fire, use a minimum amount of oil when shallow pan-frying and avoid cooking frozen foods with excessive amounts of ice.

Do not lift the cooktop. Lifting the cooktop can damage the range and cause the range to malfunction.

Do not operate the cooktop without cookware. If you operate the cooktop without cookware, the control knobs will become hot.

Never use the glass cooktop surface as a cutting board.

- ★ **Use care when touching the cooktop.** The glass surface of the cooktop will retain heat after the controls have been turned off.

Be careful when placing spoons or other stirring utensils on the glass cooktop surface when it is in use. They may become hot and could cause burns.

Use proper pan sizes. This appliance is equipped with surface units of different sizes. Select pots and pans that have flat bottoms large enough to cover the surface area of the heating element. Using undersized cookware will expose a portion of the heating element to direct contact and may result in the ignition of clothing. Matching the size of the pot or pan to the burner will also improve efficiency.

Utensil Handles Should Be Turned Inward and Not Extend Over Adjacent Surface Units – To reduce the risk of burns, ignition of flammable materials, and spillage due to unintentional contact with utensils, position utensil handles so that they are turned inward, and do not extend over adjacent surface units.

Glazed cooking utensils. Only certain types of glass, glass/ceramic, ceramic, earthenware, or other glazed cookware are suitable for range-top service without breaking due to sudden change in temperature.

Cookware handles should be turned outward and not extend over adjacent surface units. To reduce the risk of burns, ignition of flammable materials, and spillage due to unintentional contact with cookware, position cookware handles so that they are turned outward, and do not extend over adjacent surface units.

Cleaning. Read and follow all instructions and warnings on the cleaning cream labels.

- ★ Be sure you know which control knob operates each surface unit. Always make sure you have turned on the correct surface unit.

Always turn the surface units off before removing cookware.

When preparing flaming foods under the hood, turn the fan on.

Keep an eye on foods being fried at high or medium high heat settings.

DO NOT store heavy items above the cooktop surface that could fall and damage it.

Do Not Use Decorative Surface Element Covers – If an element is accidentally turned on, the decorative cover will become hot and possibly melt. Burns will occur if the hot covers are touched. Damage may also be done to the cooktop.

Do not move the container and bowl in a horizontal position on cooktop surface.

ELECTRICAL SAFETY

- ★ **Proper Installation-** Be sure your appliance is properly installed and grounded by a qualified technician.

The appliance should be serviced only by qualified service personnel. Repairs carried out by unqualified individuals may cause injury or a serious malfunction. If your appliance is in need of repair, contact a Samsung authorized service center. Failure to follow these instructions may result in damage and void the warranty.

Flush - mounted appliances may be operated only after they have been installed in cabinets and workplaces that conform to the relevant electrical and building codes. This ensures that the appliances are installed in compliance with the appropriate safety standards.

If your appliance malfunctions or if fractures, cracks or splits appear:

- switch off all cooking zones.
- unplug the range from the AC wall outlet.
- contact your local service center.



WARNING- If the surface is cracked, switch off and unplug the appliance to avoid the possibility of electrical shock. Do not use your cooktop until the glass surface has been replaced.



WARNING- Ensure that the appliance is switched off before replacing the lamp to avoid the possibility of electric shock.

The range should not be placed on a base.

CHILD SAFETY



WARNING- This appliance is not intended for use by young children or infirm persons without the adequate supervision of a responsible adult.

Young children should be supervised to ensure that they do not play with the appliance.

Keep children away from the oven when you open or close the door. They could be struck by the door when you open it or catch their fingers in the door when you close it.

The cooking zones will become hot when you cook. To keep small children from being burned, always keep them away from the appliance while you are cooking.

During self-cleaning, the range's surfaces may get hotter than usual. To prevent children from being burned, make sure that you keep them away from the range when it is in the self-cleaning mode.



WARNING- Accessible parts may become hot during use. To avoid burns, young children should be kept away.

OVEN



DO NOT TOUCH THE HEATING ELEMENTS OR INTERIOR SURFACES OF THE OVEN. Heating elements may be hot even though they are dark in color. Interior surfaces of an oven become hot enough to cause burns. During and after use, do not touch or let clothing or other flammable materials contact the heating elements or interior surfaces of the oven until they have had sufficient time to cool. Other surfaces of the appliance may become hot enough to cause burns. Among these surfaces are oven vent openings and surfaces near these openings, the oven door, and the window of the oven door.

Do not heat unopened food containers. The build-up of pressure may cause the container to burst and result in injury.

Do not use the oven to dry newspapers. If overheated, newspapers can catch on fire.

Do not use the oven for a storage area. Items stored in an oven can ignite.

- ★ **Use care when opening the door.** Let hot air or steam escape before you remove food from or put food into the oven.

Protective liners. Do not use aluminum foil to line the oven bottoms, except as suggested in the manual. Improper installation of these liners may result in a risk of electric shock or fire.

Keep oven vent ducts unobstructed. The oven vent is located below the control box. This area could become hot during oven use. Never block this vent or place plastic or heat-sensitive items on it.

Placement of oven racks. Always place oven racks in the desired location while the oven is cool. If the rack must be moved while the oven is hot, use potholders. Do not let the potholders come in contact with the hot heating element in the oven.

- ☐ Do not allow aluminum foil or a temp probe to contact the heating elements.

During use, the appliance becomes hot. Care should be taken to avoid touching heating elements inside the oven.

Do not use harsh abrasive cleaners or sharp metal scrapers to clean the oven door glass. They can scratch the surface which may result in the glass shattering.

If there is a fire in the oven during baking, smother the fire by closing the oven door and turning the oven off or by using a multi-purpose dry chemical or foam-type fire extinguisher.



Do not attempt to operate the oven during a power failure. If the power fails, always turn the oven off. If the oven is not turned off and the power resumes, the oven may begin to operate again. Food left unattended could catch fire or spoil.

SELF-CLEANING OVENS

- ☐ **Do not clean the door gasket.** The door gasket is essential for a good seal. Care should be taken not to rub, damage, or move the gasket.
- ★ **Never keep pet birds in the kitchen.** Birds are extremely sensitive to the fumes released during an oven self-clean cycle. Fumes may be harmful or fatal to birds. Move birds to a well-ventilated room.

Clean only the parts listed in this manual in the self-clean cycle.

Before self-cleaning the oven, remove the partition, rack, utensils, and food.

Before operating the self-clean cycle, wipe grease and food soils from the oven. Excessive amount of grease may ignite, leading to smoke damage to your home.

- ★ Do not use any commercial oven cleaner or oven liner protective coating of any kind in or on the outside of the oven. Use only a ceramic cooktop cleaner.

Remove the nickel oven shelves from the oven before you begin the self-cleaning cycle, or they may discolor.

If the self-clean mode malfunctions, turn the oven off and disconnect the power supply. Have it serviced by a qualified technician.

Excess spillage must be removed before cleaning.

VENTILATING HOOD

- ★ **Clean ventilating hoods frequently.** Do not let grease accumulate on the hood or filter.

When flaming foods under the hood, turn the fan on.

GLASS/CERAMIC COOKING SURFACES

- ☐ **DO NOT TOUCH SURFACE UNITS OR AREAS NEAR THE UNITS.** Surface units may be hot even though they are dark in color. Areas near surface units may become hot enough to cause burns. During and after use, do not touch, or let clothing or other flammable materials contact the surface units or areas near the units until they have had sufficient time to cool. Among these areas are the cook-top and the facing of the cook-top.

Do not cook on a broken cooktop. If the cooktop should break, cleaning solutions and spillovers may penetrate the broken cook-top and create a risk of electric shock. Contact a qualified technician immediately.

- ★ **Clean the cooktop with caution.** If you use a wet sponge or cloth to wipe up spills on a hot cooking area, be careful to avoid steam burns. Some cleaners can produce noxious fumes if applied to a hot surface.



CRITICAL INSTALLATION WARNINGS

- ★ This appliance must be installed by a qualified technician or service company.
 - Failing to have a qualified technician install the range may result in electric shock, fire, an explosion, problems with the product, or injury.

Unpack the oven. remove all packaging material and examine the oven for any damage such as dents on the interior or exterior of the oven, broken door latches, cracks in the door, or a door that is not lined up correctly. If there is any damage, do not install or operate the oven and notify your dealer immediately.

Plug the power cord into a properly grounded outlet with the proper configuration. Your oven should be the only item connected to this circuit.

Keep all packaging materials out of the reach of children. Children may use them for play and injure themselves.

Install your appliance on a hard, level floor that can support its weight.

- Failing to do so may result in abnormal vibrations, noise, or problems with the product.



This appliance must be properly grounded.

Do not ground the appliance to a gas pipe, plastic water pipe, or telephone line.

- This may result in electric shock, fire, an explosion, or problems with the product.

Do not cut or remove the ground prong from the power cord under any circumstances.

Connect the oven to a circuit that provides the correct amperage.



Do not install this appliance in a humid, oily or dusty location, or in a location exposed to direct sunlight or water (rain drops).

- This may result in electric shock or fire.

Do not use a damaged power cord or loose wall socket.

- This may result in electric shock or fire.

Do not pull or excessively bend the power cord.

Do not twist or tie the power cord.

Do not hook the power cord over a metal object, place a heavy object on the power cord, or insert the power cord between objects.

- This may result in electric shock or fire.



If the power cord is damaged, contact your nearest service center.



CRITICAL USAGE WARNINGS



If the appliance is flooded by any liquid, please contact your nearest service center. Failing to do so may result in electric shock or fire.

If the appliance produces a strange noise, a burning smell, or smoke, unplug the power plug immediately and contact your nearest service center.

- Failing to do so may result in electric shock or fire.

In the event of a gas leak (such as propane gas, LP gas, etc.), ventilate the area immediately. Do not touch the power cord. Do not touch the appliance.

- A spark can cause an explosion or fire.

- Take care not to contact the oven door, heating elements, or any of the other hot parts with your body while cooking or just after cooking.
 - Failing to do so may result in burns.

If materials inside the oven should ignite, keep the oven door closed, turn the oven off and disconnect the power cord, or shut off power at the fuse or circuit breaker panel. If the door is opened, the fire may spread.

Always observe safety precautions when using your oven. Never try to repair the oven on your own - there is dangerous voltage inside. If the oven needs to be repaired, contact an authorized service center near you.

If you use the appliance when it is contaminated by foreign substances such as food waste, it may result in a problem with the appliance.

Take care when removing the wrapping from food taken out of the appliance.

- If the food is hot, hot steam may be emitted abruptly when you remove the wrapping and this may result in burns.

- Do not attempt to repair, disassemble, or modify the appliance yourself.
 - Since a high voltage current enters the product chassis, it may result in electric shock or fire.
 - When a repair is needed, contact your nearest service center.

- If any foreign substance such as water has entered the appliance, contact your nearest service center.
 - Failing to do so may result in electric shock or fire.

- Do not touch the power cord with wet hands.
 - This may result in electric shock.

Do not turn the appliance off while an operation is in progress.

- This may cause a spark and result in electric shock or fire.

Keep all packaging materials well out of the reach of children, as packaging materials can be dangerous to children.

- If a child places a plastic bag over its head, the child can suffocate.

Do not let children or any person with reduced physical, sensory or mental capabilities use this appliance unsupervised.

Make sure that the appliance's controls and cooking areas are out of the reach of children.

- Failing to do so may result in electric shock, burns or injury.

Do not touch the inside of the appliance immediately after cooking. The inside of the appliance will be hot.

- Failing to do so may result in burns.

Do not use or place flammable sprays or objects near the oven.

- Flammable items or sprays can cause fires or an explosion.

- ❑ Do not insert fingers, foreign substances, or metal objects such as pins or needles into inlets, outlets, or holes. If foreign substances are inserted into any of these holes, contact your product provider or nearest service center.

Do not tamper with or make any adjustments or repairs to the door. Under no circumstances should you remove the door or outer shell of the oven.

Do not store or use the oven outdoors.

Never use this appliance for purposes other than cooking.

- Using the appliance for any purpose other than cooking may result in fire.

Open the cap or stopper of sealed containers (herb tonic tea bottles, baby bottles, milk bottles, and so on) before heating them. Make a hole in food items that have shells (eggs, chestnuts, etc.) with a knife before cooking them.

- Failing to do so may result in burns or injury.

Never heat plastic or paper containers and do not use them for cooking.

- Failing to do so may result in fire.

Do not heat food wrapped in paper from magazines, newspapers, etc.

- This may result in fire.

Do not open the door if food in the oven is burning.

- If you open the door, it causes an inflow of oxygen and may cause the food to ignite.

Do not apply excessive pressure to the door or the inside of the appliance. Do not strike the door or the inside or the appliance.

- Hanging on to the door may result in the product falling and cause serious injury.
- If the door is damaged, do not use the appliance. Contact a service center.

Do not hold food in your bare hands during or immediately after cooking.

- Use cooking gloves. The food may be very hot and you could burn yourself.
- Use cooking glove or gloves, Handle and oven surfaces may be hot enough to cause burns after cooking.



USAGE CAUTIONS

- ★ If the surface is cracked, turn the appliance off.
 - Failing to do so may result in electric shock.

Dishes and containers can become hot. Handle with care.

Hot foods and steam can cause burns. Carefully remove container coverings, directing the steam away from hands and face.

Remove lids from baby food jars before heating. After heating baby food, stir well to distribute the heat evenly. Always test the temperature by tasting before feeding the baby. The glass jar or the surface of the food may appear to be cooler than the interior, which can be hot enough to burn an infant's mouth.

Take care as beverages or food may be very hot after heating.

- Especially when feeding a child. Check that it has cooled sufficiently.

Take care when heating liquids such as water or other beverages.

- Make sure to stir during or after cooking.
- Avoid using a slippery container with a narrow neck.
- Wait at least 30 seconds after heating before removing the heated liquid.
- Failing to do so may result in an abrupt overflow of the contents and cause burns.

- ☐ Do not stand on top of the appliance or place objects (such as laundry, an oven cover, lighted candles, lighted cigarettes, dishes, chemicals, metal objects, etc.) on the appliance.

- Items, such as a cloth, may be caught in the door.
- This may result in electric shock, fire, problems with the product, or injury.

Do not operate the appliance with wet hands.

- This may result in electric shock.

Do not spray volatile substances such as insecticide onto the surface of the appliance.

- As well as being harmful to humans, it may also result in electric shock, fire or problems with the product.

Do not put your face or body close to the appliance while cooking or when opening the oven door just after cooking.

- Take care that children do not come too close to the appliance.
- Failing to do so may result in children burning themselves.

- ☐ Do not place food or heavy objects over the edge of the oven door.
 - If you open the door, the food or object may fall and this may result in burns or injury.

Do not abruptly cool the door, the inside of the appliance, or a dish by pouring water over it during or just after cooking.

- This may result in damage to the appliance. The steam or water spray may result in burns or injury.

Do not operate while empty except for self-cleaning.

Do not use the oven or cooktop to defrost frozen beverages in narrow-necked bottles. The containers can break.

Do not scratch the glass of the oven door with a sharp object.

- This may result in the glass being damaged or broken.

Do not store anything directly on top of the appliance when it is in operation.

Do not use sealed containers. Remove seals and lids before cooking. Sealed containers can explode due to buildup of pressure even after the oven has been turned off.

Take care that food you are cooking in the oven does not come into contact with the heating element.

- This may result in fire.

Do not over-heat food.

- Overheating food may result in fire.



CAUTION

CRITICAL CLEANING WARNINGS

- ★ Do not clean the appliance by spraying water directly onto it.

Do not use benzene, thinner or alcohol to clean the appliance.

- This may result in discoloration, deformation, damage, electric shock or fire.

Take care not to hurt yourself when cleaning the appliance (external/internal).

- You may hurt yourself on the sharp edges of the appliance.

Do not clean the appliance with a steam cleaner.

- This may result in corrosion.

Keep the inside of the oven clean. Food particles or spattered oils stuck to the oven walls or floor can cause paint damage and reduce the efficiency of the oven.

installing the oven

ABOUT THIS SECTION

READ THESE INSTRUCTIONS COMPLETELY AND CAREFULLY.

Important note to the installer

- Read all instructions contained in these installation instructions before installing the range.
- Remove all packing materials from the oven compartments before connecting the electrical supply to the range.
- Observe all governing codes and ordinances.
- Be sure to leave these instructions with the consumer.

Important note to the consumer

Keep these instructions for the local electrical inspector's use.

- As when using any appliance generating heat, there are certain safety precautions you should follow.
- Be sure your range is installed and grounded properly by a qualified installer or service technician.
- Make sure the wall coverings around the range can withstand the heat generated by the range.
- To eliminate the need to reach over the surface elements, avoid having cabinet storage space above the cooktop.
- The range should not be placed on a base.

FOR YOUR SAFETY



WARNING If the information in this manual is not followed exactly, a fire or electrical shock may result causing property damage, personal injury or death.



WARNING Before beginning the installation, switch the power off at the service panel and lock the service disconnecting switch to prevent power from being switched on accidentally. When the service disconnecting switch cannot be locked, securely fasten a prominent warning device, such as a tag, to the service panel.

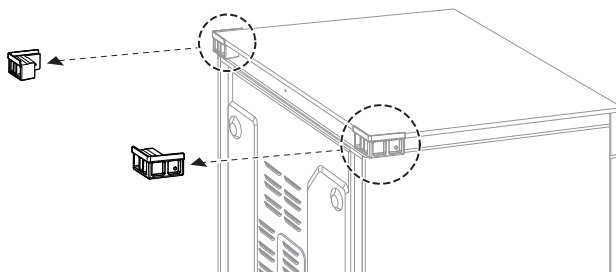


WARNING This appliance must be properly grounded.

preparing to install the range

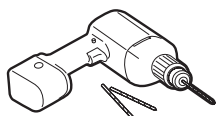
REMOVE PACKAGING

Remove packaging materials. Remove the supporter frame located on the back of the cooktop glass. Failure to remove packaging materials could result in damage to the appliance.



PREPARE TOOLS & PARTS

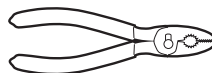
The tools you will need



Drill



Adjustable Wrench



Pliers



1/4" Nut Driver



Phillips Screwdriver



Flat Screwdriver



Pencil



Level

What's included with your range



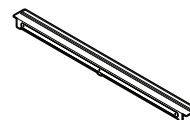
Template



Anti-Tip Bracket



Screws (short:2 ea,
long:2 ea)



Filler Kit & Screws (3 ea)

Additional materials you may need



4-Wire Cord or 3-Wire Cord
(UL Approved 40 or 50 AMP)



Strain Relief
(For Conduit Installation Only)

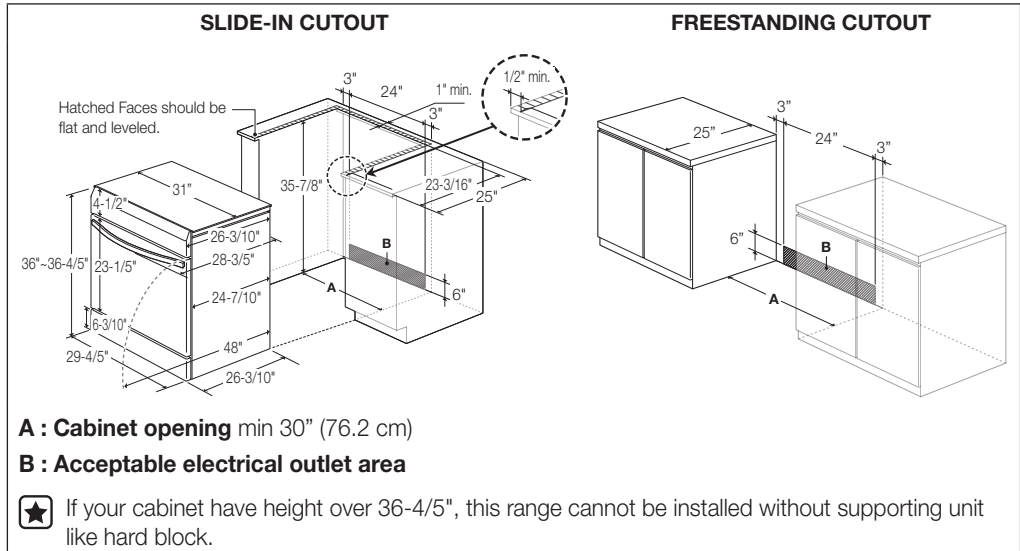
CHECKING THE INSTALLATION SITE

Clearances and dimensions

To install the range, refer to the following figure.



CAUTION This range has been designed to comply with the maximum allowable wood cabinet temperatures of 194 °F. Make sure the wall covering, countertops and cabinets around the range can withstand the heat (up to 194 °F) generated by the range. If not, discoloration, delamination or melting may occur.



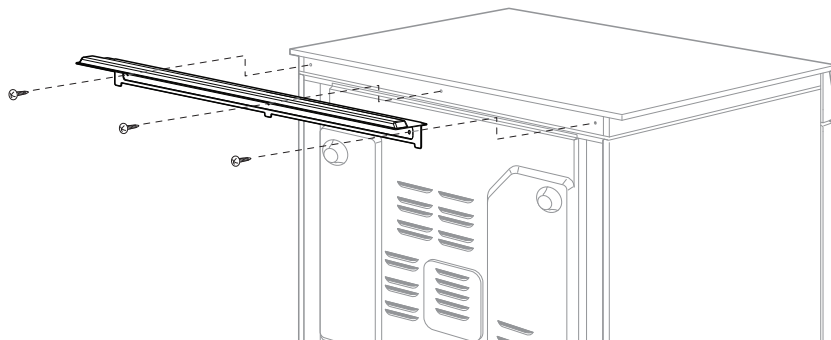
CAUTION You must use the rear filler kit to install the range in a freestanding cutout cabinet. For more information, see "Optional rear filler kit" as shown below.

Optional rear filler kit

Used to fill gap between the range back and wall. Adds a filler strip to the rear of the range. This kit can only be used when the opening in the countertop is 25" deep.

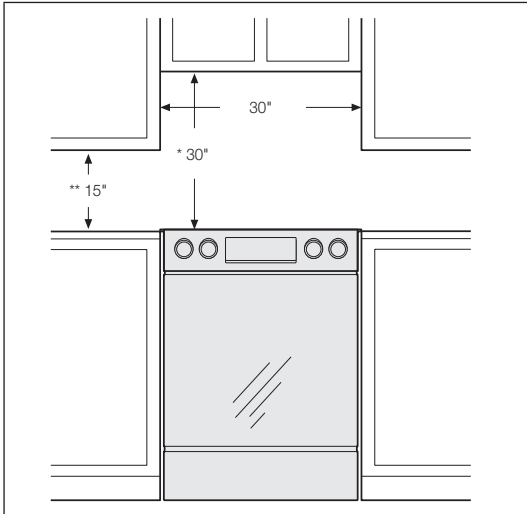


If the countertop depth is greater than 25", there will be a gap between the filler kit and the back wall.



Minimum dimensions


★ IMPORTANT To eliminate the risk of burns or fire caused by reaching over heated surface units, avoid having cabinet storage space located above the surface units. If you have cabinet storage space over the heating elements, you can reduce the risk by installing a range hood that projects horizontally a minimum of 5 inches beyond the bottom of the cabinets.



- * 30" minimum clearance between the top of the cooking surface and the bottom of an unprotected wood or metal cabinet; or 24" minimum when the bottom of the wood or metal cabinet is protected by not less than 1/4" of flame retardant millboard covered with not less than no.28 MSG sheet steel, 0.015" stainless steel, 0.024" aluminum, or 0.020" copper.
- ** 15" minimum between the countertop and the adjacent cabinet bottom.

connecting the power

STEP 1. MEETING ELECTRICAL CONNECTION REQUIREMENTS

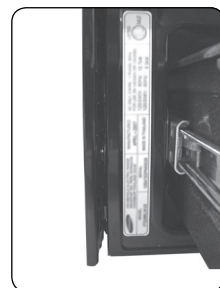
 **CAUTION** For personal safety, do not use an extension cord with this appliance. Remove house fuse or open circuit breaker before beginning installation.

This appliance must be supplied with the proper voltage and frequency, and be connected to an individual, properly grounded branch circuit, protected by a circuit breaker or fuse having amperage as specified on the rating plate. The rating plate is located above the drawer on the oven frame. **(Fig. 1 or Fig. 2)**

We recommend you have the electrical wiring and hookup of your range connected by a qualified electrician. After installation, have the electrician show you where your main range disconnect is located.

Check with your local utilities for electrical codes which apply in your area. Failure to wire your oven according to governing codes could result in a hazardous condition. If there are no local codes, your range must be wired and fused to meet the requirements of the National Electrical Code, ANSI/NFPA No. 70–Latest Edition. You can get a copy by writing:

National Fire Protection Association
Batterymarch Park
Quincy, MA 02269



(Fig. 1)



(Fig. 2)

Effective January 1, 1996, the National Electrical Code requires that new construction (not existing) utilize a 4-conductor connection to an electric range.

When installing an electric range in new construction, follow Steps 2 and 3 for 4-wire connection.

You must use a 3-wire or 4-wire, single-phase A.C. 208Y/120 Volt or 240/120 Volt, 60 hertz electrical system.

If the electrical service provided does not meet the above specifications, have a licensed electrician install an approved outlet.

Use only a 3-conductor or a 4-conductor UL-listed range cord. These cords may be provided with ring terminals on the wire and a strain relief device.

A range cord rated at 40 amps with 125/250 minimum volt range is required. A 50 amp range cord is not recommended but if used, it should be marked for use with nominal 1 $\frac{3}{8}$ " diameter connection openings. Care should be taken to center the cable and strain relief within the knockout hole to keep the edge from damaging the cable.

- Because range terminals are not accessible after the range is in position, a flexible service conduit or cord must be used.

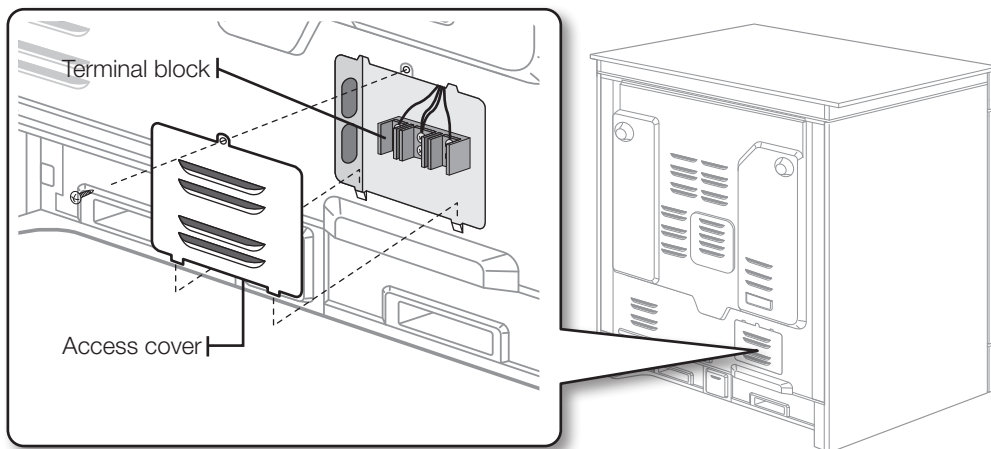
 **NOTE** If conduit is being used, go to Step 4 on page 25.



ALL NEW BRANCH-CIRCUIT CONSTRUCTIONS, MOBILE HOMES, RECREATIONAL VEHICLES AND INSTALLATIONS WHERE LOCAL CODES DO NOT ALLOW GROUNDING THROUGH NEUTRAL, REQUIRE A 4-CONDUCTOR UL-LISTED RANGE CORD.

STEP 2. ACCESSING THE POWER CORD CONNECTION

Loosen and then remove the rear access cover screw with a screwdriver. Remove the rear access cover by lifting it up and then out. The terminal block will then be accessible.



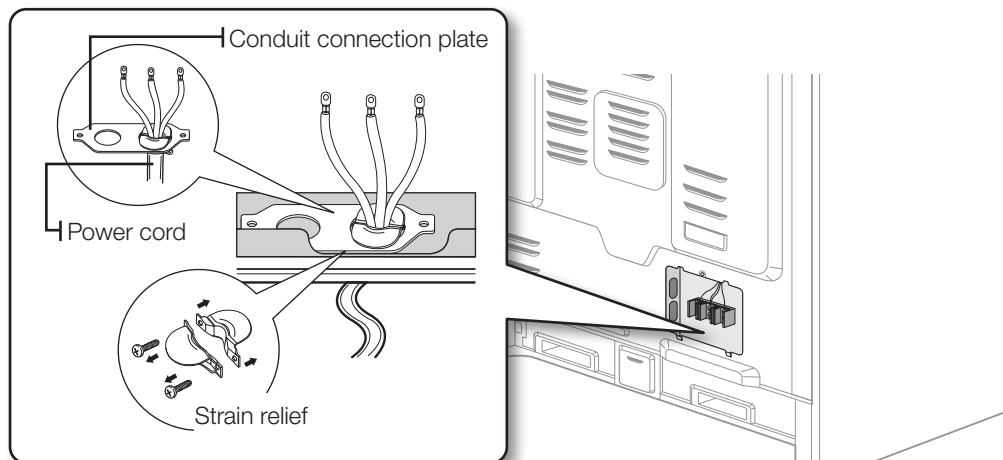
Specified power-supply-cord kit rating

Range rating, watts		Specified rating of power-supply-cord kit, amperes	Diameter (inches) of range connection opening	
120/240 volts 3-wire	120/208 volts 3-wire		Power cord	Conduit
8,750 - 16,500	7,801 - 12,500	40 or 50 A	1 ³ / ₈ "	1 ¹ / ₈ "

For power cord installations, go to page 23. For conduit installations, go to page 25.

STEP 3. INSTALLING THE POWER CORD

For power cord installations, hook the strain relief over the power cord hole (1³/₈") located below the rear of the drawer body. Insert the power cord through the strain relief and tighten the device.



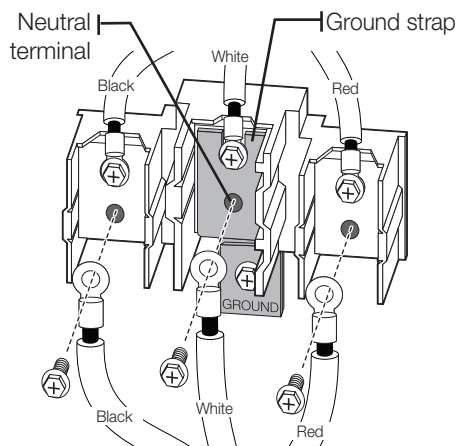
- **You must install the power cord with a strain relief.**
- Attach the strain relief to the 1³/₈" opening in the conduit connection plate.

Installing a 3-wire power cord



WARNING The neutral or ground wire of the power cord must be connected to the neutral terminal located in the center of the terminal block. The power leads must be connected to the lower left and the lower right terminals of the terminal block.

1. Remove the 3 lower terminal screws from the terminal block.
2. Insert the 3 terminal screws through each power cord terminal ring and into the lower terminals of the terminal block. Be certain that the center wire (white/neutral) is connected to the center lower position of the terminal block.
3. Tighten screws securely to the terminal block. **DO NOT remove the ground strap connection.**
4. Go to **step 5** on page 26 to continue with the installation.

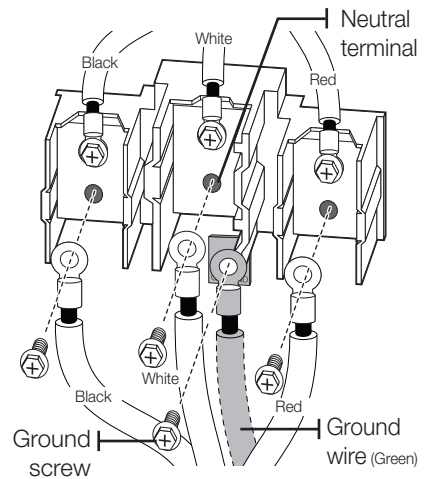
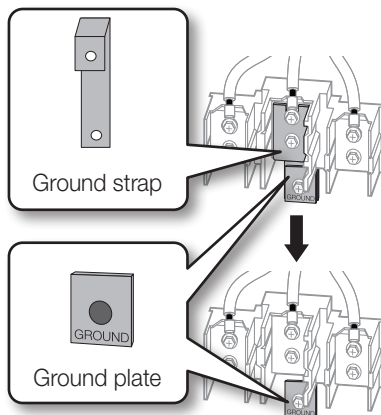


Installing a 4-wire power cord



WARNING The neutral wire of the supply circuit must be connected to the neutral terminal located in the lower center of the terminal block. The power leads must be connected to the lower left and the lower right terminals of the terminal block. The 4th grounding lead must be connected to the frame of the range with the ground plate and the ground screw.

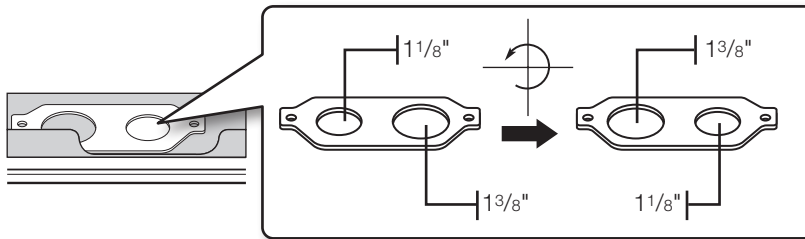
1. Remove the 3 lower terminal screws from the terminal block. Remove the ground screw and ground plate and retain them.
2. **Cut and discard the ground strap. Do not discard any screws.**
3. Insert the ground screw into the power cord ground wire terminal ring, through the ground plate, and into the frame of the range.
4. Insert the 3 terminal screws (removed earlier) through each power cord terminal ring and into the lower terminals of the terminal block. Be certain that the center wire (white/neutral) is connected to the center lower position of the terminal block. Tighten screws securely to the terminal block.
5. Go to **step 5** on page 26 to continue with the installation.



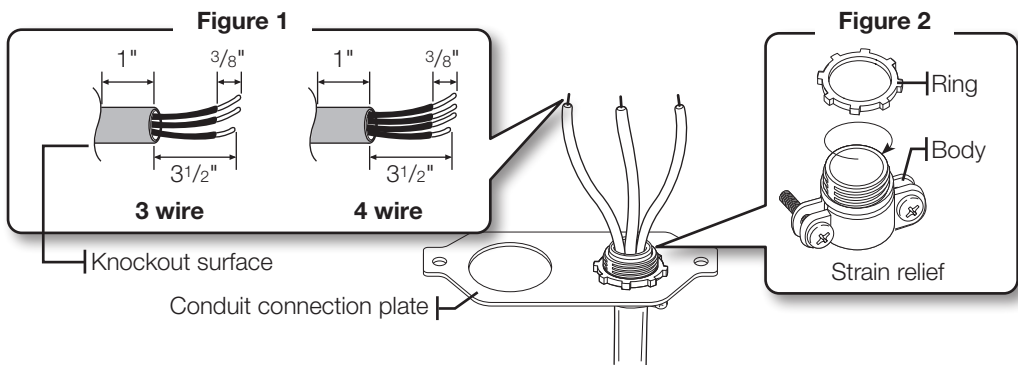
STEP 4. INSTALLING THE CONDUIT

Remove the conduit connection plate and rotate it as shown below.

The conduit hole ($1\frac{1}{8}$ "") must be used.



1. Prepare the conduit cord as shown in Figure 1.
2. Install the conduit cord as shown in Figure 2.

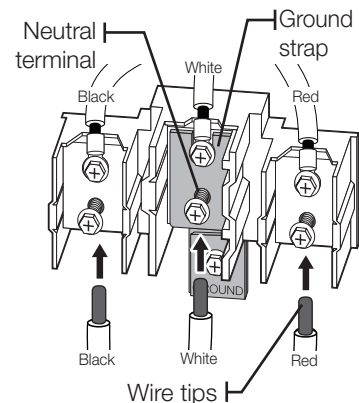


For conduit installations, insert the strain relief (not included) into the conduit hole ($1\frac{1}{8}$ ""). Then thread the conduit cord through the body of the strain relief and fasten the ring. Reinstall the bracket.

Installing a 3-wire conduit

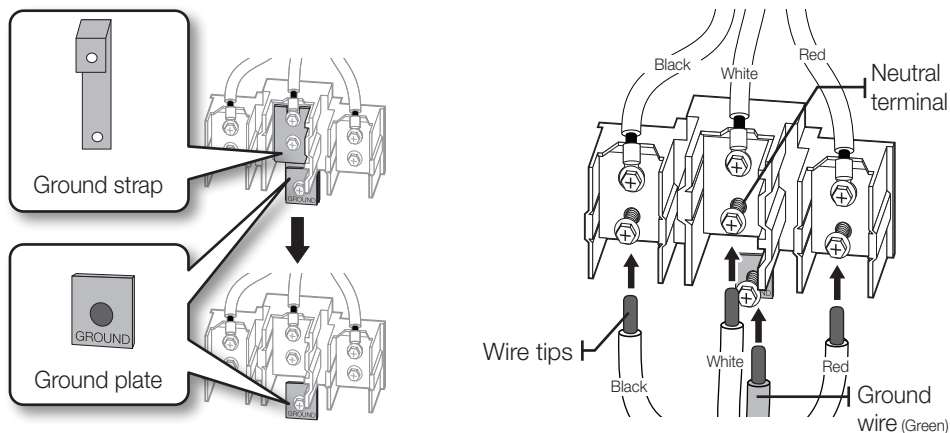
- Aluminum building wire may be used but it must be rated for the correct amperage and voltage. Connect the wires as described below.
- The wire you use, the location and enclosure of splices, etc., must conform to good wiring practices and local codes.

1. Loosen the 3 lower terminal screws from the terminal block.
2. Insert the center bare wire (white/neutral) tip through the bottom center terminal block opening. On certain models, the wire will need to be inserted through the ground strap opening and then into the bottom center block opening.
3. Insert the two side bare wire tips into the lower left and the lower right terminal block openings.
4. Tighten the screws until the wire is firmly secured (35 to 50 inch-lbs.). Do not over-tighten the screws since it could damage the wires.
5. Go to **step 5** on page 26 to continue with the installation.



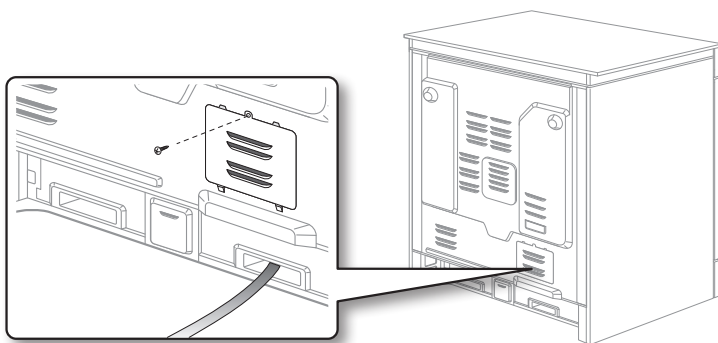
Installing a 4-wire conduit

- Aluminum building wire may be used but it must be rated for the correct amperage and voltage to make the connection. Connect the wires as described below.
 - The wire you use, the location and enclosure of splices, etc., must conform to good wiring practices and local codes.
1. Loosen the 3 lower terminal screws from the terminal block. Remove the ground screw and ground plate and retain them.
 2. **Cut and discard the ground strap. Do not discard any screws.**
 3. Insert the ground bare wire tip between the range frame and the ground plate (removed earlier) and secure it in place with the ground screw (removed earlier).
 4. Insert the bare wire (white/neutral) tip through the bottom center of the terminal block opening.
 5. Insert the two side bare wire tips into the lower left and the lower right terminal block openings.
 6. Tighten the screws until the wire is firmly secured (35 to 50 inch-lbs.). Do not over-tighten the screws since it could damage the wires.
 7. Go to **step 5** below to continue with the installation.



STEP 5. REPLACING THE ACCESS COVER

To replace the rear access cover on the range back. Insert the double projections on the bottom of the cover into the pockets located below the opening, and then insert and tighten the rear access cover screw.



installing the range

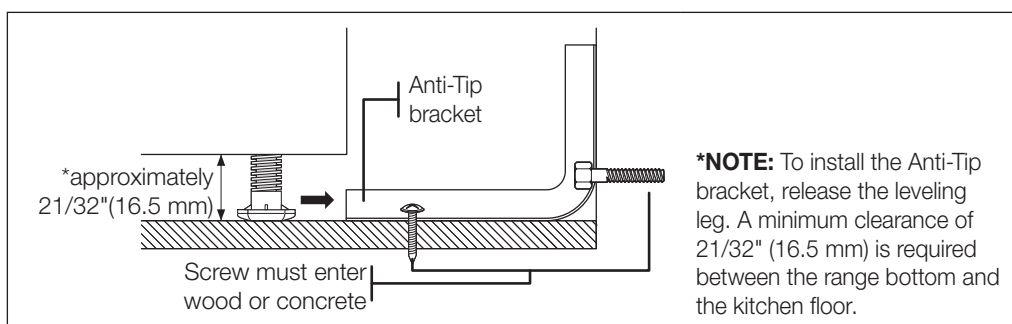
INSTALLING THE ANTI-TIP DEVICE



WARNING

To reduce the risk of tipping, you must secure the appliance by properly installing the Anti-Tip device packed with the appliance.

- Refer to the installation instructions supplied with the bracket.
- If the anti-tip device is not installed properly, an adult or child stepping on or sitting on the range door could tip the range and suffer serious injuries caused by spilled hot liquids or by the range itself.

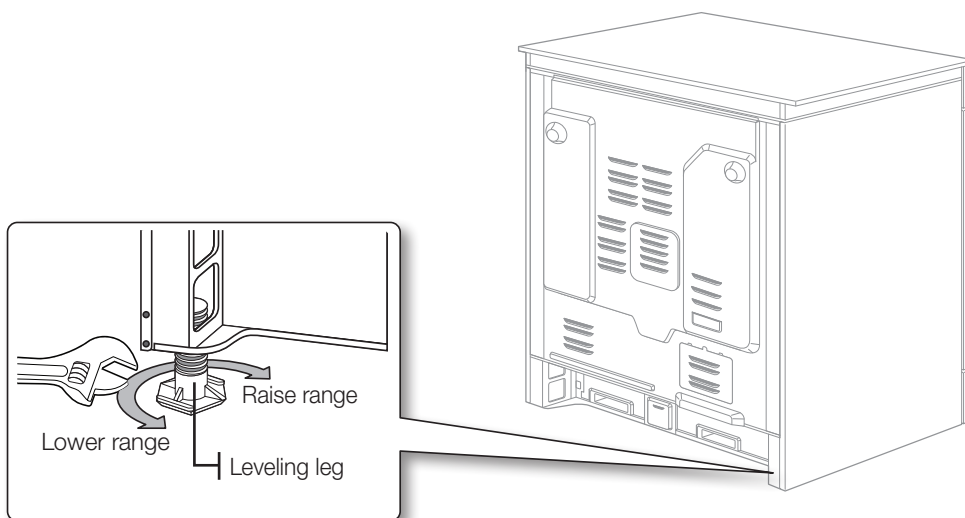


1. Install the bracket using the template

The Anti-Tip bracket is packaged with a template. The instructions include information necessary to complete the installation. Read and follow the instructions on the sheet (template) for range installation.

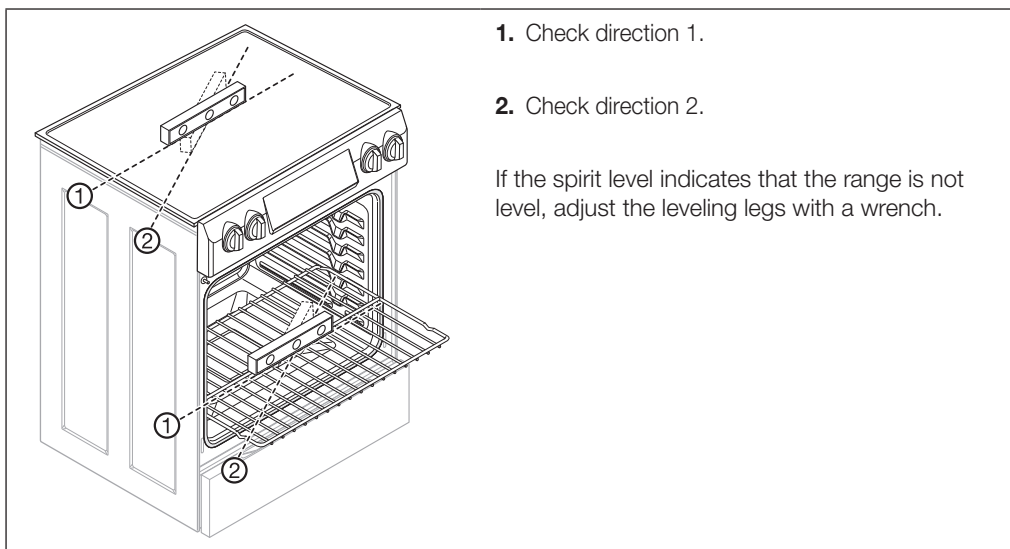
2. Level the range

Level the range by adjusting the leveling legs with a wrench.



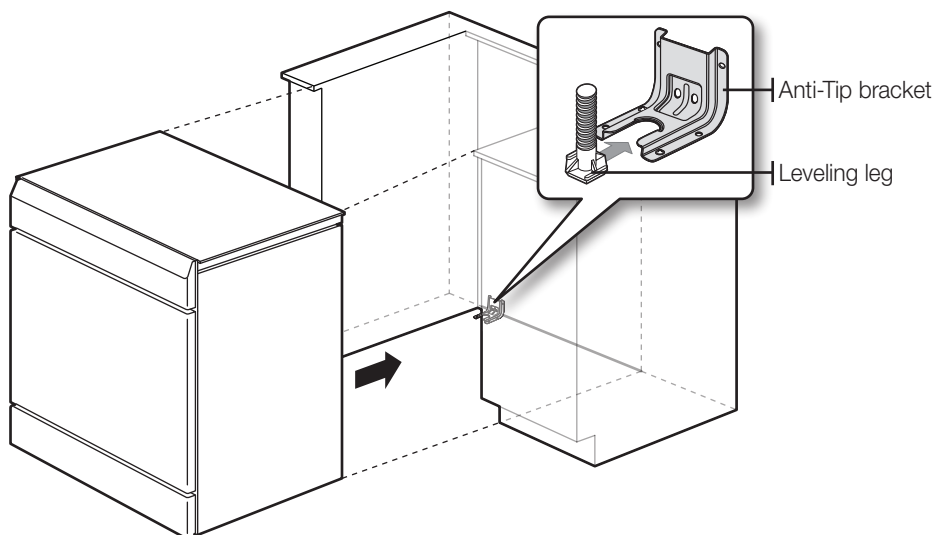
3. Check your adjustments

Use a spirit level to check your adjustments. Place the level diagonally on the oven rack or surface cooktop, and confirm the range is level in the two directions shown below.



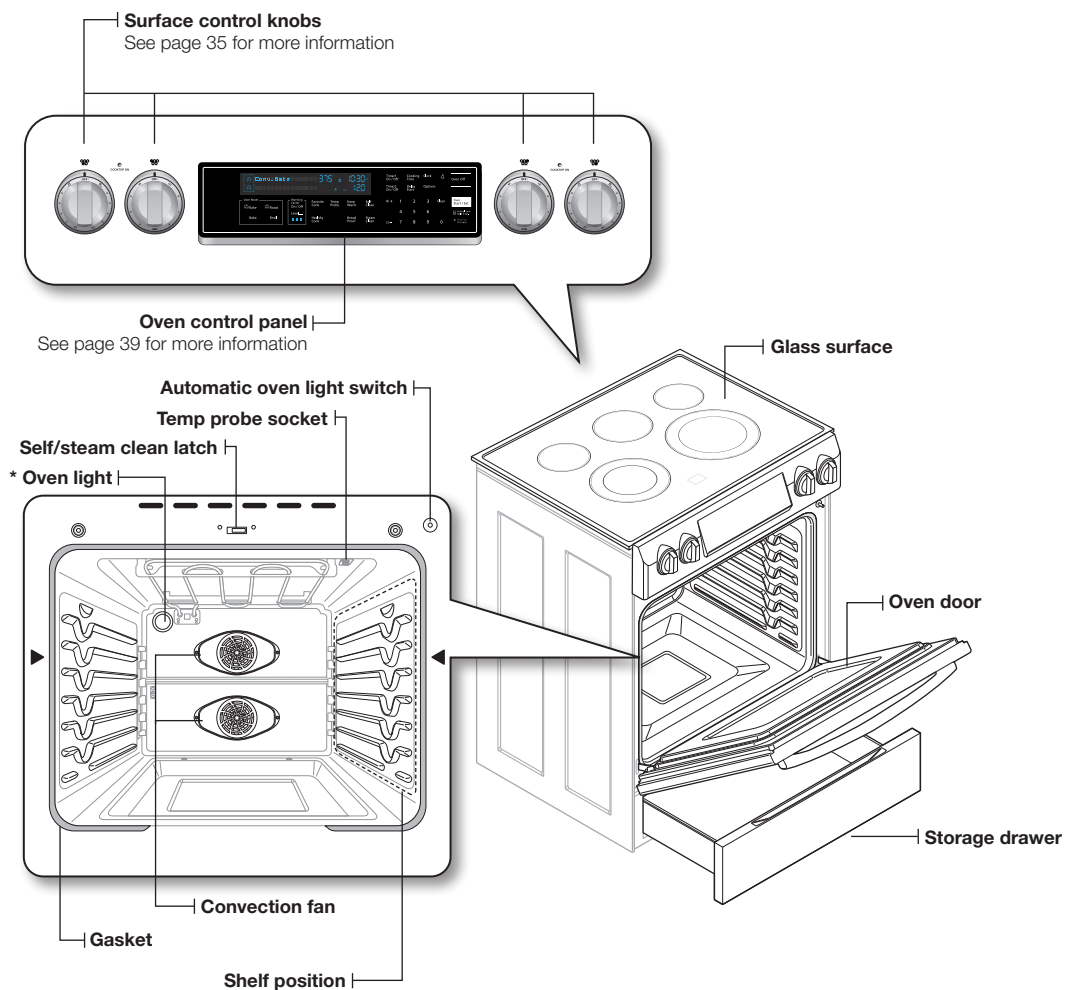
FINALIZING THE INSTALLATION

- Move range close enough to the opening to plug into the receptacle.
- Slide the range into position insuring that the rear left (or rear right) leg slides under the Anti-Tip bracket.
- Carefully tip the range forward to insure that the Anti-Tip bracket engages the back brace and prevents tip-over.
- Turn on the electrical power. Check the range for proper operation as described in the user manual.

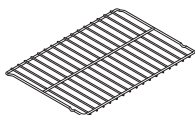


introducing your new range

OVERVIEW



WHAT'S INCLUDED WITH YOUR RANGE



* Wire racks (2)



* Recessed rack (1)



* Temp probe (1)

If you need an accessory marked with a *, you can buy it from the Samsung Contact Center (1-800-726-7864).

before you begin

Clean the oven thoroughly before using it for the first time. Remove the accessories, set the oven to bake, and then run the oven at 400 °F for 1 hour before using. There will be a distinctive odor. This is normal. Ensure your kitchen is well ventilated during this conditioning period.

getting started

SETTING THE CLOCK

The **clock** must be set to the correct time of day for the automatic oven timing functions to work properly.

- The time of day cannot be changed during a timed cooking, a delay-timed cooking, or a self-cleaning cycle.
- You can choose between a 12-hour or 24-hour display. The default is 12-hour.

How to set the clock

1. Start the set up.
Press **Clock**.
2. Press **Clock** to select AM or PM.
(Skip this step on 24 hour display setting)
3. Enter the current time in hours and minutes on the number pad.
eg. 1,3,0 for 1:30
4. Press **Clock** or **Oven Start/Set** to save the changes.

CONTROL PANEL DISPLAY MODES

Sleep Mode

Your control panel will remain in a sleep mode when not in use. Only the clock will display. You will need to wake the control panel to begin any function.



Wake Mode

To wake the control panel, touch the wake-up key. After 2 minutes without activity (or one minute when the oven is operating in standby mode), the control panel will return to Sleep mode. User preferences are available in this mode as well as timers, the oven light, and the control lock.

TURNING THE OVEN LIGHT ON AND OFF

- The oven light turns on automatically when the door is opened.
- The oven light turns off automatically when the door is closed.
- You can turn the oven light on and off manually by pressing **Oven Light**.

CONTROL LOCKOUT

Control lockout lets you lock the buttons on the touch pad so they cannot be activated accidentally. Control lockout is only activated in standby mode.

How to activate the control lockout feature

1. Press **Control Lock Hold 3 Sec.** for 3 seconds.

The display will show "Loc" and Lock icon continuously, as well as the current time.

All functions must be cancelled before Control lockout is activated.

This function is available only when the oven temperature is under 400 °F.

How to unlock the controls

1. Press **Control Lock Hold 3 Sec.** for 3 seconds.

"Loc" and the Lock icon will disappear from the display.

SETTING THE KITCHEN TIMER

The timer counts down elapsed time and will beep when the time you set has elapsed. It does not start or stop cooking functions. You can use the kitchen timer with any of the other oven functions.

How to set the timer

1. Turn the timer on.

Press **Timer1 On/Off (Timer2 On/Off)**.

2. Enter the amount of time you want.

Enter the amount of time you want using the number pad, eg. 1, 5. The timer can be set for any amount of time from 1 minute to 9 hours and 99 minutes. If you make a mistake, press **Clear** and enter the amount of time again.

3. Start the timer.

Press **Timer1 On/Off (Timer2 On/Off)** or **Oven Start/Set**.

4. When the set time has elapsed, the oven will beep and the display will show End until you press the pad. You can cancel the timer at any time by pressing **Timer1 On/Off (Timer2 On/Off)**.
-

surface cooking

ABOUT SURFACE COOKING



BEFORE COOKING

- Do not use the glass cooktop surface as a cutting board.
- Do not place or store items that can melt or catch fire on the glass cooktop, even when it is not being used.
- Turn the surface units on only after placing the cookware on them.
- Do not store heavy items above the cooktop surface. They could fall and damage it.



DURING COOKING

- Do not place aluminum foil or plastic items such as salt and pepper shakers, spoon holders, or plastic wrappings on the range when it is in use. The hot air from the vent could melt plastics or ignite flammable items.
- Make sure the correct surface unit is turned on.
- Never cook food directly on the glass. Always use cookware.
- Always place the pan in the center of the surface unit you are cooking on.
- Never leave surface units unattended while using a high heat setting. Boilovers cause smoking and greasy spillovers that may catch on fire.
- Turn the surface units off before removing cookware.
- Do not use plastic wrap to cover food. Plastic may melt onto the surface and be very difficult to remove.
- Cooling fan can be operated during cooktop cooking.



AFTER COOKING

- Do not touch the surface units until they have cooled down.
- The surface may be still be hot and burns may occur if the glass surface is touched before it has cooled down sufficiently.
- Immediately clean spills on the cooking area to prevent a tough cleaning chore later.
- If you have a cabinet directly above the cooking surface, make sure that the items in it are infrequently used and can be safely stored in an area subjected to heat. Temperatures in the cabinet may be unsafe for items such as volatile liquids, cleaners, and aerosol sprays.

About the radiant surface elements

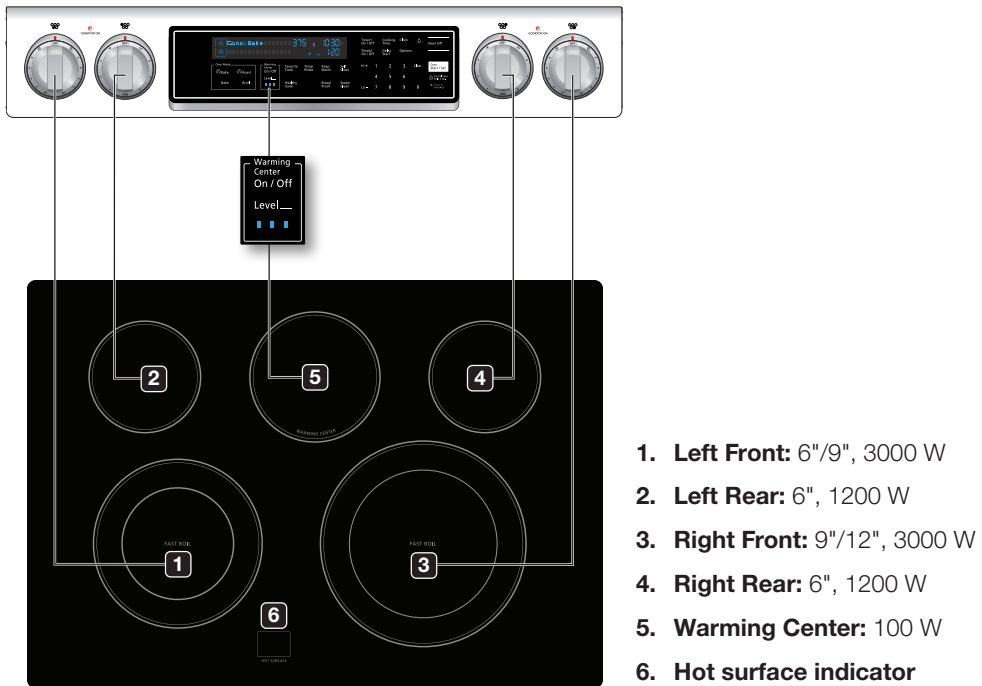
The temperature of radiant surface elements rises gradually and evenly. As the temperature rises, the radiant element will glow red. To maintain the selected setting, the element will cycle on and off. The heating element retains enough heat to provide a uniform and consistent heat during the off cycle. For efficient cooking, turn off the element several minutes before cooking is complete. This will allow residual heat to complete the cooking process.



Radiant elements have a limiter that allows the element to cycle ON and OFF, even at the HI setting. This helps to prevent damage to the ceramic cooktop. Cycling at the HI setting is normal. It can also occur if the cookware is too small for the radiant element or if the cookware bottom is not flat.

Location of the radiant surface elements and controls

The radiant control knobs operate the radiant surface elements on the cooktop as shown below.



Hot surface indicator

- Comes on when the unit is turned on or hot to the touch.
- Stays on even after the unit is turned off.
- Glows until the unit is cooled to approximately 150 °F.

Cooking areas

- The cooking areas on your range are identified by permanent circles on the glass cooking surface. For the most efficient cooking, fit the pan size to the element size.
- **Pans should not extend more than ½" to 1" beyond the cooking area.**
- When a control is turned on, you can see a glow through the glass cooking surface. **The element will cycle on and off to maintain the preset heat setting, even at high settings.**
- For more information on selecting proper types of cookware, refer to the section "Using the proper cookware" on page 37.



When you operate the knob, beep sounds once. However, if you operate multiple knobs, beep will sound once for the initially operated knob.

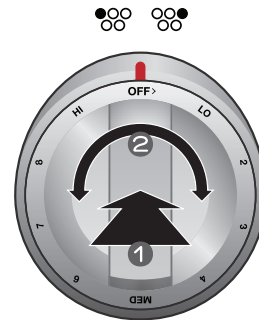
HOW TO SET THE APPLIANCE FOR SURFACE COOKING



- The surface elements may be hot even when off and burns can occur. Do not touch the surface elements until they have cooled down sufficiently.
- At high or medium-high settings, never leave food unattended. Boilovers cause smoking and greasy spillovers may catch on fire.
- Be sure you turn the control knob to **OFF** when you finish cooking.

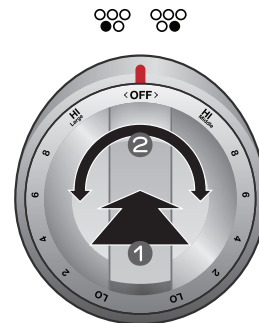
Single surface unit control knob (left rear, right rear)

1. Push the knob in.
2. Turn in either direction to the setting you want.
 - At both the off and high settings, the knob clicks into position.



Dual surface unit control knob (left front, right front)

1. Push the knob in.
2. Turn in either direction to the setting you want.
 - To use the single surface unit, turn the control knob to the middle burner setting.
 - To use the dual surface unit, turn the control knob to the large burner setting.



If you removed knob for cleaning, insert it after check to direction. (refer to above figure)



The area on the knob between the high and off settings is not appropriate for cooking.

Recommended settings

SETTING	TYPE OF COOKING
HIGH	Starting most foods, bringing water to a boil, pan broiling
MEDIUM HIGH	Continuing a rapid boil, frying, deep fat frying
MEDIUM	Maintaining a slow boil, thickening sauces and gravies, steaming vegetables
MEDIUM LOW	Keeping foods cooking, poaching, stewing
LOW	Keeping foods warm, melting, simmering

Using the warming center

The **warming center**, located in the back center of the glass surface, will keep hot, cooked food at serving temperature.



- **The surface warmer will not glow red like the cooking elements.**



- Do not warm food on the warming center for more than two hours.
- Use only cookware and dishes recommended as safe for oven and cooktop use.
- Always use potholders or oven mitts when removing food from the warming center as cookware and plates will be hot.
- When warming pastries and breads, use covers that have an opening to allow moisture to escape.
- Do not use plastic wrap to cover foods. Plastic may melt onto the surface and be very difficult to clean off.
- Food should be kept in its container and covered with a lid or aluminum foil to maintain food quality.
- Always start with hot food. Eating uncooked or cold food placed on the warming center could result in illness.

1. Turn the warming center on.

Press **Warming Center On/Off**.

2. Select the power setting you want.

Press **Warming Center Level** once to set it to the Level 1 setting. Press the pad twice for the Level 2 setting, 3 times for Level 3.

3. Turn the warming center off.

Press **Warming Center On/Off**.



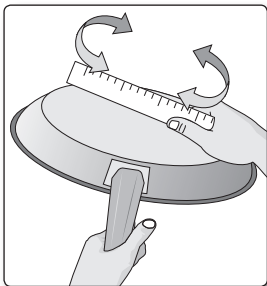
- Pressing **Oven Off** does not turn the warming center off.
- For best results, all foods on the warming center should be covered with a lid or aluminum foil. When warming pastries or breads, the lid or foil should be vented to allow moisture to escape.

Recommended settings

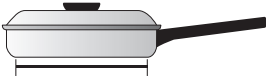

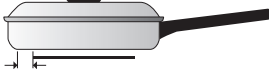



LEVEL	TYPE OF FOOD
1	Breads/pastries, casseroles, gravies, eggs
2	Dinner plate with foods, soups (cream), vegetables, sauces, stews, meats
3	Fried foods, soups (liquid), hot beverages

USING THE PROPER COOKWARE

Using the right cookware can prevent many problems, such as uneven cooking or extended cooking times. Using the proper pans will reduce cooking times and cook food more evenly.



Check for flatness by rotating a ruler across the bottom of the cookware.

CORRECT	INCORRECT
	
<p>Flat bottom and straight sides.</p>	<p>Curved and warped pan bottoms.</p>
<ul style="list-style-type: none"> • Tight fitting lids. 	
<ul style="list-style-type: none"> • Weight of handle does not tilt pan. 	
<ul style="list-style-type: none"> • Pan is well balanced. 	
<ul style="list-style-type: none"> • Pan size matches the amount of food to be prepared and the size of the surface element. 	<p>Pan overhangs element by more than one-half inch.</p> 
<ul style="list-style-type: none"> • Made of a material that conducts heat well. 	
<ul style="list-style-type: none"> • Always match pot diameter to element surface diameter. 	<p>Pan is smaller than element.</p> 
	 <p>Heavy handle tilts pan.</p>

CHOOSING THE PROPER COOKWARE

What your cookware is made of determines how evenly and quickly heat is transferred from the surface element to the pan bottom.

- **ALUMINUM** - Excellent heat conductor. Some types of food will cause the aluminum to darken. (Anodized aluminum cookware resists staining and pitting.) If aluminum pans are slid across the ceramic cooktop, they may leave metal marks that resemble scratches. Remove these marks as soon as the cooktop cools down.
- **COPPER** - Excellent heat conductor but discolors easily. May leave metal marks on ceramic glass (see above).
- **STAINLESS STEEL** - Slow heat conductor with uneven cooking results. Is durable, easy to clean and resists staining.
- **CAST IRON** - A poor conductor, but retains heat very well. Cooks evenly once cooking temperature is reached. Not recommended for use on ceramic cooktops.
- **ENAMELWARE** - Heating characteristics will vary depending on base material. Porcelain-enamel coating must be smooth to avoid scratching ceramic cooktops.
- **GLASS** - Slow heat conductor. Not recommended for ceramic cooktop surfaces because it may scratch the glass.

PROTECTING THE COOKTOP SURFACE

Cleaning

- Clean the cooktop before using it for the first time.
- Clean your cooktop daily or after each use. This will keep your cooktop looking good and can prevent damage.
- If a spillover occurs while you are cooking, immediately clean the spill from the cooking area while it is hot to prevent a tough cleaning chore later. Using extreme care, wipe the spill with a clean dry towel.
- Do not allow spills to remain on the cooking area or the cooktop trim for a long period of time.
- **Do not** use abrasive cleansing powders or scouring pads, which will scratch the cooktop.
- **Do not** use chlorine bleach, ammonia, or other cleansers not specifically recommended for use on a glass-ceramic surface.

Preventing marks and scratches

- Do not use glass cookware. It may scratch the cooktop.
- **Do not** place a trivet or wok ring between the cooktop and the pan. These items can mark or scratch the cooktop.
- Make sure the cooktop and the pan bottom are clean.
- **Do not** slide metal pans across the cooktop.

Preventing stains

- **Do not** use a soiled dish cloth or sponge to clean the cooktop surface. A film will remain, which may cause stains on the cooking surface after the area is heated.
- Continuously cooking on a soiled surface can result in a permanent stain.

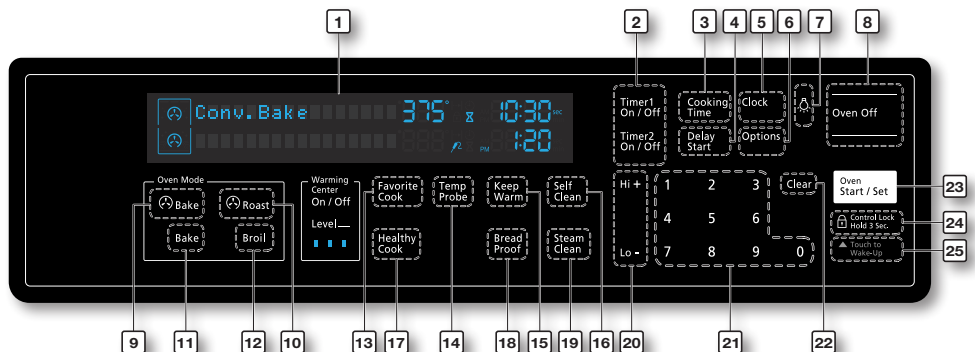
Preventing other damage

- Do not allow plastic, sugar, or foods with high sugar content to melt onto the hot cooktop. Should this happen, clean immediately.
- Do not let a pan boil dry. This will damage the cooktop and the pan.
- **Do not** use the cooktop as a work surface or cutting board.
- **Do not** cook food directly on the cooktop. Always use the proper cookware.

operating the oven

THE OVEN CONTROL PANEL

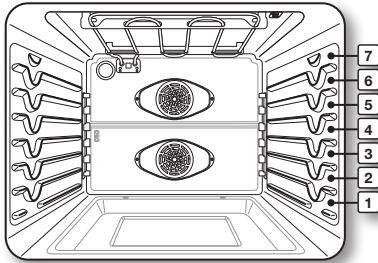
READ THE INSTRUCTIONS CAREFULLY BEFORE USING THE OVEN. For the best results, familiarize yourself with the various features and functions of the oven as described below. **Detailed instructions for each feature and function follow later in this user manual.**



- 1. DISPLAY:** Shows the time of day, oven temperature, whether the oven is in the bake, broil or self-cleaning mode, and the time set for the timer or automatic oven operations.
- 2. TIMER ON/OFF:** Use to set or cancel the minute timer. The minute timer does not start or stop cooking.
- 3. COOKING TIME:** Press and then use the number pad to set the amount of time you want your food to cook. The oven will shut off when the cooking time has run out.
- 4. DELAY START:** Press to set the oven to start and stop automatically at a time you set. (Bake, Conv.bake/Roast, Cooking Time, and self clean only.)
- 5. CLOCK:** Use to set the time of day.
- 6. OPTIONS:** Use to bring up the user preference menu in the display.
- 7. LAMP:** Press to turn the oven light on or off.
- 8. OVEN OFF:** Press to cancel all oven operations except the clock and timer.
- 9. CONVECTION BAKE:** Use to select the Convection bake function of the oven.
- 10. CONVECTION ROAST:** Use to select the Convection roast function of the oven.
- 11. BAKE:** Use to select the bake function of the oven.
- 12. BROIL:** Use to select the broil function of the oven.
- 13. FAVORITE COOK:** Use to save or recall a favorite cooking mode.
- 14. TEMP PROBE:** Use to activate the temp probe mode.
- 15. KEEP WARM:** Use to select the keep warm function of the oven to keep cooked foods warm.
- 16. SELF CLEAN:** Use to select the Self-cleaning function of the oven.
- 17. HEALTHY COOK:** Press to recall the healthy cook recipe setting of the oven.
- 18. BREAD PROOF:** Use to select the Bread proof function.
- 19. STEAM CLEAN:** Use to select the steam cleaning function of the oven.
- 20. HI+/LO-:** Use to raise or lower the temperature and increase or decrease times.
- 21. NUMBER PAD:** Use to set any function requiring numbers such as the time of day on the clock, the timer, the oven temperature, the start time and length of operation for timed baking.
- 22. CLEAR:** Use to cancel previously entered temperature or times.
- 23. OVEN START/SET:** Use to start any cooking or cleaning function in the oven.
- 24. CONTROL LOCKOUT:** Use to disable all oven functions.
- 25. TOUCH TO WAKE-UP:** Press to activate buttons and functions on the display.

USING THE OVEN RACKS

Oven rack positions

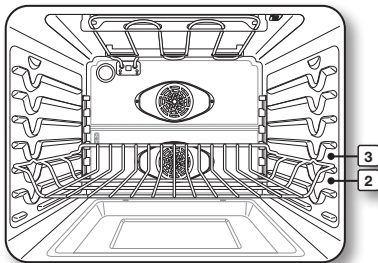


The single oven has 7 rack positions (1~7).

TYPE OF FOOD	RACK POSITION
Muffins, Brownies, Cookies, Cupcakes, Layer cakes, Pies, Biscuits	4
Frozen pies	4
Casserole	4
Bundt or pound cakes	3
Angel food cakes	2
Small roast, hams	2
Turkey, Large roast	1

- This table is for reference only.

Recessed rack position



If you use Recessed rack, the recessed ends must be placed in the rack position above the desired position of the food. See the following figure.



These rack positions are for flat racks. If recessed rack is used, the rack position must be adjusted as shown in the previous figure.

Rack and Pan Placement

Centering the baking pans in the oven as much as possible will produce better results. If baking with more than one pan, place the pans so each has at least 1" to 1½" of air space around it.

If baking on two racks, place the oven racks in **positions 2 and 4** or **2 and 5**.

For the best performance, place the oven racks in **positions 2 and 4** when baking cakes on multiple racks.

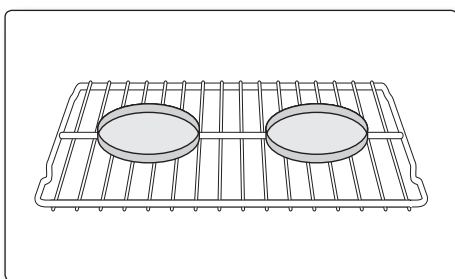
When baking cookies on multiple racks, place the oven racks in **positions 2 and 5**.

Place the pans or cookware as show in the figures below.

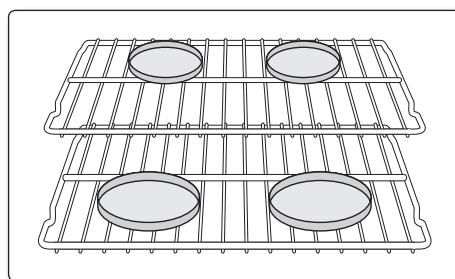
When baking on single oven rack, place the oven rack in **position 3 or 4**.

Using Multiple Oven Racks

Type of Baking	Rack positions
Cakes	2 and 4
Cookies	2 and 5



Single Oven Rack



Multiple Oven Rack

Before using the racks

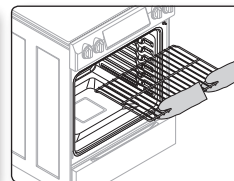
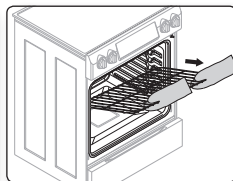
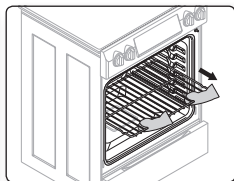
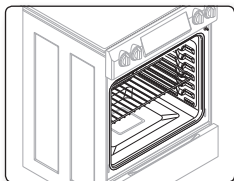
The oven has three racks.

Each rack has stoppers that need to be placed correctly on the supports. These stoppers will keep the rack from coming completely out.



CAUTION

- Do not cover a rack with aluminum foil or place on the oven bottom. This will hamper the heat circulation, resulting in poor baking, and may damage the oven bottom.
- Arrange the oven racks only when the oven is cool.










MINIMUM AND MAXIMUM SETTINGS

All of the features listed in the table below have minimum and maximum time or temperature settings.

A beep will sound each time you press a pad on the control panel and the entry is accepted.

An error tone will sound in the form of a long beep if the temperature or time you entered is below the minimum or above the maximum setting for the feature.

FEATURE	MINIMUM	MAXIMUM
 Bake	175 °F (80 °C)	550 °F (287 °C)
 Broil	LO	HI
 Convection Bake	175 °F (80 °C)	550 °F (287 °C)
 Convection Roast	175 °F (80 °C)	550 °F (287 °C)
 Self Clean	3 Hr.	5 Hr.
 Steam Clean	20 Min.	20 Min.
 Keep Warm	-	3 Hr.

BAKING

The oven can be programmed to bake at any temperature from 175 °F to 550 °F.

Baking temperature and time will vary depending on the ingredients, size and shaped of the baking pan used.

Dark or nonstick coatings may be cooked food faster with more browning.

How to set the temperature

1. Start the set up.


Press **Bake**. The default temperature is 350 °F.

2. Enter the temperature you want on the number pad, eg. 3, 7, 5.

3. Start the bake function.

Press **Oven Start/Set**. The temperature display will start to change once the oven temperature reaches 175 °F.

4. If you want to cancel baking or if you have finished, press **Oven Off**.
-

 Place food in the oven after preheating if the recipe calls for it. Preheating is very important for good results when baking cakes, cookies, pastry, and breads. After the oven has reached the desired temperature, a long beep will sound 6 times.


How to adjust the temperature while cooking

1. Start the set up.

Press **Bake**. The display will show the present temperature, eg. 375 °F.

2. Enter the temperature you want, eg. 425 °F, using the number pad.

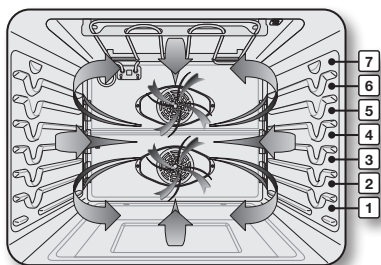
3. Complete the entry by pressing **Oven Start/Set**.
-

 If you leave the oven door open for more than 2 minutes when the oven is on, all heating elements will shut off automatically.

 When you have finished cooking, the cooling fan will continue to run until the oven has cooled down.

 For performance reasons, the convection fan may be turned on or off during the operation.

CONVECTION BAKING



By using the convection bake feature, you will be able to cook faster. You can program the oven for convection baking at any temperature between 175 °F and 550 °F.


Convection baking uses a fan to circulate the oven's heat evenly and continuously within the oven. This improved heat distribution allows for even cooking and excellent results using multiple racks at the same time. Foods cooked on a single oven rack will generally cook faster and more evenly with convection baking. Multiple oven rack cooking may slightly increase cook times for some foods, but the overall result is time saved. Breads and pastries brown more evenly.





Tip for convection baking

The amount of time you save will vary depending on the amount and type of food you are cooking. When baking cookies or biscuits, you should use pans with no sides or very low sides to allow the heated air to circulate around the food. Using a pan with a dark finish will allow faster cooking times.

When using convection baking with a single rack, place the oven rack in **position 4**. If cooking on multiple racks, place the oven racks in **positions 2 and 5** (when baking cookies) or **2 and 4** (when baking cakes).

How to set the oven for convection baking

1. Start the convection baking mode.
Press  **Bake**. The default temperature is 350 °F.
2. Enter the temperature you want, eg. 400 °F, using the number pad. Set the temperature that is called for in the recipe.
3. Press **Oven Start/Set** to begin convection baking.
The Conv.Bake icon and the adjusted oven temperature, eg. 400 °F, will appear in the display for 2 seconds.
The temperature display will start to change once the oven temperature reaches 175 °F.
A beep will sound 6 times when the oven reaches the adjusted oven temperature.
4. To turn off or cancel convection baking, press **Oven Off**.

-  The convection oven fan shuts off when the oven door is opened. DO NOT leave the door open for long periods of time while using convection cooking or you may shorten the life of the convection heating element.
-  If you leave the oven door open for more than 2 minutes when the oven is on, all heating elements will shut off automatically.
-  When you have finished cooking, the cooling fan will continue to run until the oven has cooled down.
-  For performance reasons, the convection fan may be turned on or off during the operation.

CONVECTION ROASTING

Convection roasting is good for cooking large tender cuts of meat, uncovered.

Heat comes from the top heating element. The convection fan circulates the heated air evenly over and around the food. Meat and poultry are browned on all sides as if they were cooked on a rotisserie. The heated air seals in juices quickly for a moist and tender product while, at the same time, creating a rich golden brown exterior.

How to set the oven for convection roasting

1. Start the convection roasting mode.

Press  **Roast**. The default temperature is 350 °F.

2. Enter the temperature you want, eg. 400 °F, using the number pads.

3. Press **Oven Start/Set** to begin convection roasting.

The Conv.Roast icon and the adjusted oven temperature, eg. 400 °F, will appear in the display for 2 seconds.

The temperature display will start to change once the oven temperature reaches 175 °F.

A beep will sound 6 times when the oven reaches the adjusted oven temperature.

4. Turn off or cancel convection roasting by pressing **Oven Off**.
-



The convection oven fan shuts off when the oven door is opened.

DO NOT leave the door open for long periods of time while using convection cooking or you may shorten the life of the convection heating element.



If you leave the oven door open for more than 2 minutes when the oven is on, all heating elements will shut off automatically.



When you have finished cooking, the cooling fan will continue to run until the oven has cooled down.



For performance reasons, the convection fan may be turned on or off during the operation.

TIMED COOKING

In timed cooking, the oven turns on immediately and cooks for the length of time you select. At the end of the cooking time, the oven turns off automatically.

- You can use the cooking time feature only with another cooking operation (Bake, Convection Bake, Convection Roast, Healthy Cook, or Favorite Cook).

How to set the oven for timed cooking

1. Enter the set up.

Press the pad for the cooking operation you want, eg. **Conv.bake**. The default temperature is 350 °F.

2. Enter the temperature you want, eg. 375 °F, using the number pad.

3. Press **Cooking Time**.

4. Enter the cooking time you want, eg. 45 min, using the number pad.

You can set the cooking time for any amount of time from 1 minute to 9 hours and 99 minutes.

5. Press **Oven Start/Set** to begin cooking.

The temperature display will start to change once the oven temperature reaches 175 °F.

The oven will continue to cook until the set amount of time has elapsed, then turn off automatically unless the keep warm feature was set. (Refer to the section on the keep warm function on page 50.)

6. You can cancel a cook time at any time by pressing **Oven Off**.
-



Place food in the oven after preheating if the recipe calls for it. Preheating is important for good results when baking cakes, cookies, pastry, and breads. After the oven has reached the desired temperature, a long beep will sound 6 times.



Use caution with the **cooking time** or **delay start** features. Use these features when cooking cured or frozen meats and most fruits and vegetables. Foods that can easily spoil, such as milk, eggs, fish, meat, or poultry, should be chilled in the refrigerator first. Even when chilled, they should not stand in the oven for more than 1 hour before cooking begins, and should be removed promptly when cooking is completed. Eating spoiled food can result in sickness from food poisoning.

DELAY START

In a delay timed cooking, the oven's timer turns the oven on and off at times you select in advance.

- You can use the delay start feature only with another cooking operation (Bake, Convection Bake, Convection Roast, Healthy Cook, or Favorite Cook).
- You can set the oven for a delay start before setting other cooking operations.
- The clock must be set to the current time.

How to set the oven for delay start

1. Position the oven rack(s) and place the food in the oven.
 2. Enter the set up.
Press the pad for the cooking operation you want, eg. **Conv.bake**. The default temperature is 350 °F.
 3. Use the number pad to enter the temperature you want, eg. 375 °F.
 4. Press **Cooking Time**.
 5. Enter the cooking time you want, eg. 45 minutes, using the number pad.
You can set the cooking time for any amount of time from 1 minute to 9 hours and 99 minutes.
 6. Press **Delay Start**.
 7. Enter the time you want the oven to turn on, eg. 4:30, using the number pad.
 8. Press **Oven Start/Set**.
At the set time, a short beep will sound. The oven will begin to bake. When the oven has reached the desired temperature, a long beep will sound 6 times.
-



Place food in the oven after preheating if the recipe calls for it. Preheating is important for good results when baking cakes, cookies, pastry, and breads. After the oven has reached the desired temperature, a long beep will sound 6 times.

BROILING

Broil mode is best for meats, fish, and poultry up to 1" thick. Broiling is a method of cooking tender cuts of meat by direct heat under the broil element of the oven. The high heat cooks quickly and gives a rich, brown outer appearance. Temp probe cannot be used with this mode.

How to set the oven for broiling

1. Select the broil setting you want.

Press **Broil**.

You can select Hi or Lo by pressing **Hi+** or **Lo-**.

Use Lo to cook foods such as poultry or thick cuts of meat thoroughly without over-browning them.

2. Start the broiling function.

Press **Oven Start/Set**.

Broil one side until the food is browned. Turn over and broil the other side.

3. Press **Oven Off** once you have finished cooking or if you want to cancel broiling.



This oven is designed for CLOSE DOOR broiling. The oven door must be closed during broiling.



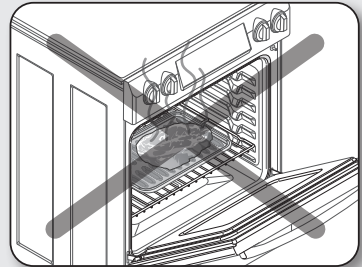
If you leave the oven door open for more than 2 minutes when the oven is on, all heating elements will shut off automatically.



When you have finished cooking, the cooling fan will continue to run until the oven has cooled down.



Always use this cooking mode with the oven door closed.



Use care when opening the door. Let hot air or steam escape before you remove food from or put food into the oven.

Broiling Recommendation Guide

The size, weight, thickness, starting temperature, and your doneness preference will affect broiling times.

This guide is based on meats at refrigerator temperature.

Always use a broiler pan and its grid when broiling.

Always preheat the oven for 5 minutes before broiling.

Food	Doneness	Size	Thickness	Rack position	Cooking time	
					1st side	2nd side
Hamburgers	Medium	9 patties	3/4"	6	3:00	2:30
	Medium	9 patties	1"	6 (or 7)	3:30	3:00
	Medium	16 patties	1"	6	4:00	3:00
Toasts	-	9 toasts	-	5	0:50	0:35

Food	Doneness	Size	Thickness	Rack position	Cooking time	
					1st side	2nd side
Beef steaks	Rare	-	1"	5	5:00	3:30-4:00
	Medium	-	1-1½"	5	7:00	5:00-6:00
	Well done	-	1½"	5	8:00	6:00-7:00
Chicken pieces	Well done	4.5 lbs.	1/2-3/4"	2	18:00-20:00	11:00-15:00
	Well done	2-2½ lbs.	1/2-3/4"	2	13:00-15:00	8:00-11:00
Pork chops	Well done	1 lb.	1/2"	3 or 2	9:00-10:00	7:00-9:00
Lamb chops	Medium	10-12 oz.	1"	3 or 2	5:00	4:00-5:00
	Well done	1 lb.	1½"	3 or 2	7:00	6:00-8:00
Fish fillets	Well done	-	1/4-1/2"	3 or 2	5:00-9:00	3:00-4:00
Ham slices (precooked)	-	-	1/2"	3 or 2	5:00	4:00

USING THE FAVORITE COOK FEATURE

The favorite cook feature lets you record up to 3 different recipe settings. You can use the favorite cook feature for baking, convection baking, or convection roasting. It will not work with any other function, including the delay start feature.

How to record a recipe setting

1. Press the pad for the cooking operation you want to store, eg. **Bake**. The default temperature is 350 °F.
2. Use the number pad to enter the temperature you want, eg. 375 °F.
3. Press **Cooking Time**.
4. Enter the cooking time you want, eg. 45 min, using the number pad.
5. You can store a recipe setting in one of three favorite cook positions. Press **Favorite Cook** the number of times that corresponds to the position in which you want to store the setting. eg. for **Favorite Cook** position 2, press **Favorite Cook** twice.

Recipe settings can be stored at position 1, 2, or 3.

6. Press **OVEN START/SET**.

How to recall a setting

1. Press **Favorite Cook** the number of times that corresponds to the position in which the recipe setting is stored, eg. for Favorite Cook position 2, press **Favorite Cook** twice.
2. Start the stored cooking operation.

Press **Oven Start/Set**.

USING THE HEALTHY COOK FEATURE

1. Rice casserole

The Rice casserole feature provides a healthier cooking method for cooking rice casseroles containing vegetables, herbs, chicken breasts, etc.

When using this function, you do not need to preheat the oven prior to cooking. The cooking temperature and cooking time depends on the quantity and material.

How to set the Rice casserole function

1. Press **Healthy Cook**. The default temperature is 375 °F.
 2. Press **1** (Rice casserole) on the number pad.
Enter the temperature you want on the number pad.
 3. Press **Oven Start/Set** to begin rice casserole cooking.
-



For the best results, cook rice casseroles with toppings uncovered, and stews and braised meats covered to prevent evaporation.

2. Baked potato

Baked potato mode is specially designed to bake potatoes or sweet potatoes.

When using this function, you do not need to preheat the oven prior to cooking.

How to set the Baked potato function

1. Press **Healthy Cook**. The default temperature is 375 °F.
 2. Press **2** (Baked potato) on the number pad.
Enter the temperature you want on the number pad.
 3. Press **Oven Start/Set**.
-

3. Grilled chicken

Grilled chicken mode is specially designed to cook chicken pieces or chicken breasts.

When using this function, you do not need to preheat the oven prior to cooking.

If you want to prevent over browning and drying of the skin, cover the breast with foil.

How to set the Grilled chicken function

1. Press **Healthy Cook**. The default temperature is 350 °F.
 2. Press **3** (Grilled chicken) on the number pad.
Enter the temperature you want on the number pad.
-

4. Salmon steak

This feature is specially designed to cook salmon steaks.

When using this function, you do not need to preheat the oven prior to cooking.

The temperature and cooking time depend on the quantity and thickness.

How to set the Salmon steak function

1. Press **Healthy Cook**. The default temperature is 350 °F.
 2. Press **4** (Salmon steak) on the number pad.
Enter the temperature you want on the number pad.
 3. Press **Oven Start/Set**.
-

5. White fish fillet

This feature is specially designed to cook white fish fillets.

When using this function, you do not need to preheat the oven prior to cooking.

The temperature and cooking time depend on the quantity and thickness.

How to set the White fish fillet function

1. Press **Healthy Cook**. The default temperature is 375 °F.
2. Press **5** (White fish fillet) on the number pad.
Enter the temperature you want on the number pad.
3. Press **Oven Start/Set**.

Healthy Cook Recommendation Guide

The guide below contains recommendations for using the Healthy Cook feature. This chart is for reference only.

When using this function, you do not need to preheat the oven prior to cooking.

Food	Quantity	Rack Position	Default Temp. (°F)	Oven Temp. (°F)	Cooking Time (min)	Recommendations
Rice casserole	17.5 oz (500 g)	4	375	375 to 425	40-50	Put a cup of instant rice, some vegetables (carrot, onion, zucchini, eggplant, etc.) and chicken breasts into a baking dish. Pour a cup of hot consommé into the baking dish and cover it with a lid or foil. To prevent the bottom from over cooking, do not use an enamel or iron baking dish.
Baked potato	6 ea	3	375	375 to 425	30-40	Put 6 potatoes on a tray or baking dish. Do not cut the potatoes in half. Season the potatoes after cooking if desired.
Salmon steak	3 pieces 19.5 oz (550 g)	5	350	350 to 425	30-40	Put the salmon steaks on a tray or baking dish. Season the salmon after cooking if desired.
Grilled chicken	Chicken Pieces 1~1.2 kg	2	350	350 to 425	30-40	Put the chicken pieces on a tray or baking dish. Season the chicken after cooking if desired.
	Chicken Breast 4~6 pieces	2	350	350 to 425	30-40	Put the chicken breasts (thickness 1/8 to 4/10 inch) on a broiler pan or baking dish. Season the chicken after cooking if desired. To prevent the chicken from over browning or drying out, cover the chicken with aluminum foil.

Food	Quantity	Rack Position	Default Temp. (°F)	Oven Temp. (°F)	Cooking Time (min)	Recommendations
White fish fillet	4 fillets (550 g)	5	375	350 to 425	20-30	Put the fish fillets on a broiler pan or baking dish. Season the fish after cooking if desired. To prevent the fish from over browning or drying out, cover the fish with aluminum foil.

USING THE KEEP WARM FUNCTION

The keep warm feature maintains an oven temperature of 170 °F and will keep cooked food warm for serving up to 3 hours after cooking has finished.

After 3 hours, the feature will shut the oven off automatically. The feature may be used without any other cooking operations or may be set to activate after a timed or delay timed cooking operation.

You should not use this feature to reheat cold foods.

How to use the Keep Warm function

1. Press **Keep Warm**.
 2. Press **Oven Start/Set**.
 3. Press **Oven Off** at any time to turn the feature off.
-

How to set the oven to activate the keep warm mode after a timed cooking

1. Set up the oven for **Timed Cooking**.
(Refer to the section on Timed Cooking on page 44.)
 2. Press **Keep Warm** before pressing **Oven Start/Set** to begin cooking.
 3. Press **Oven Off** at any time to turn the feature off.
-

USING THE BREAD PROOF FUNCTION

The Bread Proof function automatically provides the optimum temperature for the bread proof process, and therefore does not have a temperature adjustment.

If you press **Bread Proof** when the oven temperature is above 100 °F, Hot will appear in the display. Because these functions produce the best results when started while the oven is cool, we recommend that you wait until the oven has cooled down and Hot disappears from the display.

1. Press **Bread Proof**.
 2. Press **Start/Set**.
 3. Press **Oven Off** at any time to turn off the Bread Proof feature.
-

USING THE OPTIONS FUNCTION

This function enables you to control various electronic control options. These options include temp adjust, temp unit, auto conversion, 12 hour time of day or 24 hour time of day, 12 hour energy saving, language, sound on/off, and demo mode.

The option menu is only available when the oven is not being used (not cooking).

Options	Feature
1. Temp Adjust	Lets you correct the temperature in the oven.
2. Temp Unit	Lets you program the oven control to display temperatures in Fahrenheit or Centigrade.
3. Auto Conversion	The convection auto conversion feature automatically converts entered regular baking temperatures to convection baking temperatures.
4. Time of Day	Lets you set the clock to display the time of day in the 12 hour or 24 hour mode.
5. 12 hour energy saving	This feature automatically turns off the oven after 12 hours during baking functions or after 3 hours during a broil function.
6. Language	Lets you select English, French, or Spanish.
7. Sound On/Off	Lets you set the oven controls to operate silently.
8. Demo mode	This option is for use by retail establishments for display purposes only.

Temp Adjust

The temperature in the oven has been calibrated at the factory. When first using the oven, be sure to follow recipe times and temperatures. If you think the oven is too hot or too cool, you can correct the temperature in the oven. Before correcting, test a recipe by using a temperature setting that is higher or lower than the recommended temperature. The baking results should help you to decide how much of an adjustment is needed.

The oven temperature can be adjusted $\pm 35^{\circ}\text{F}$ ($\pm 19^{\circ}\text{C}$).

How to correct the oven temperature

1. Press **Options** and **1** on the number pad.
 2. Press **Hi+** or **Lo-** to select higher or lower than the recommended temperature.
 3. Enter the adjustment you want using the number pad. (0~35)
 4. Press **Oven Start/Set** to save the changes.
-



This adjustment will not affect the broiling or the self-cleaning temperatures. The adjustment will be retained in memory after a power failure.

Temp Unit (Fahrenheit or Celsius temperature selection)

You can program the oven control to display temperatures in Fahrenheit or Centigrade. The oven has been preset at the factory to display in Fahrenheit.

How to change the display from Fahrenheit to Celsius or Celsius to Fahrenheit

1. Press **Options** and **2** on the number pad.
 2. Press **1** (Fahrenheit) or **2** (Celsius) on the number pad.
 3. Press **Oven Start/Set** to save the changes.
-

Auto Conversion

When you use the auto conversion feature, the convection auto conversion feature will automatically convert entered regular baking temperatures to convection baking temperatures. If this feature is activated, the display will show the actual converted (reduced) temperature. For example, if you enter a regular recipe temperature of 350 °F and press Oven Start/Set, the display will show the converted temperature of 325 °F.
(Default setting : off)

How to enable or disable the auto conversion feature

1. Press **Options** and **3** on the number pad.
 2. Press **1** (Off) or **2** (On) on the number pad.
 3. Press **Oven Start/Set** to save the changes.
-

Time of Day (12hr/24hr)

The oven control can be programmed to display time of day in the 12 hour or 24 hour mode. The oven has been preset at the factory to display in the 12 hour mode.

How to change between the 12 and 24 hour time of day display

1. Press **Options** and **4** on the number pad.
 2. Press **1** (12hr) or **2** (24hr) on the number pad.
 3. Press **Oven Start/Set** to save the changes.
-

12 hour energy saving

If you accidentally leave the oven on, this feature will automatically turn off the oven after 12 hours during baking functions or after 3 hours during a broil function.

How to turn the 12 hour energy saving feature on or off

1. Press **Options** and **5** on the number pad.
 2. Press **1** (Off) or **2** (On) on the number pad.
 3. Press **Oven Start/Set** to save the changes.
-

Language

You can select English, French, or Spanish. The default setting is English.

How to change the language on the display

1. Press **Options** and **6** on the number pad.
 2. Press **1** (EN), **2** (FR) or **3** (SP) on the number pad.
 3. Press **Oven Start/Set** to save the changes.
-

Sound On/Off

Using Sound On/OFF, you can set the oven controls to operate silently.

How to turn the sound on or off

1. Press **Options** and **7** on the number pad.
2. Press **1** (Off) or **2** (On) on the number pad.
3. Press **Oven Start/Set** to save the changes.

Demo mode

This option is for use by retail establishments for display purposes only. (The heating element does not operate.)

How to enable or disable the demo mode

1. Press **Options** and **8** on the number pad.
2. Press **1** (Off) or **2** (On) on the number pad.
3. Press **Oven Start/Set** to save the changes.

USING THE TEMP PROBE

For many foods, especially roasts and poultry (beef, chicken, turkey, pork, lamb etc), measuring the internal temperature is the best way to determine if the food is properly cooked.

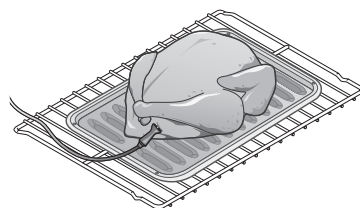
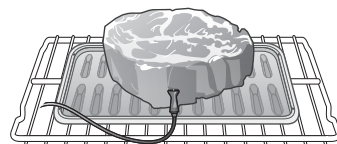
The temp probe lets you cook meat to the exact internal temperature you want, taking the guess work out of determining whether a piece of meat is done or not.

This function can be used with Bake, Convection Bake, or Convection Roast.

After the internal temperature of the food reaches 100 °F, the increasing internal temperature will be shown in the display.

How to use the Temp probe

1. Push the tip of the temp probe into the meat as fully as possible, so that the tip is in the center of the meat.
 - Insert the probe completely into the meat as shown in the illustrations. It should not touch bone, fat, or gristle.
 - If you do not fully insert the probe into the meat, the Temp Probe function will not work correctly because the probe will sense the oven temperature, not the temperature of the meat.
 - For bone-in meats, insert the probe into the center of the lowest and thickest portion of the piece.
 - For whole poultry (turkey, large chickens, etc.), insert the probe into the thickest part of the inner thigh, parallel to the leg.
 - If you activate the Keep Warm function to keep the meat warm after you have cooked it using the Temp Probe function, the meat's internal temperature will exceed the temperature you want.



2. Insert the temp probe plug into the socket on the top side wall of the oven as far as it will go.
3. Select the desired cooking function (Conv.Bake, Conv.Roast, Bake) and temperature.
4. Press **Temp Probe** to set the desired internal temperature.
5. Set the desired internal temperature by pressing the number pad.

Available temperatures	100 °F to 200 °F
------------------------	------------------

6. If you want to use the Cook time, Delay start, or Keep warm function, set each function.
7. Press **Oven Start/Set**.
8. When the desired internal temperature is reached, the function automatically stops and an alarm sounds.



To protect the temp probe's tip, be careful not to insert the probe so that the tip protrudes through the surface of the meat. Make sure that the tip is in or near the center of the meat.



- Do not store the probe in the oven.
- Do not leave the probe inside the oven during a Self-Cleaning or Broiling cycle. You can permanently damage the probe and it will no longer work.
- To avoid breaking the probe's tip, defrost your food completely.
- Do not use tongs when inserting or removing the probe. Tongs can damage the probe.
- Use the temp probe for Temp probe function cooking only. Do not use the temp probe for any other purpose.



If you remove the temp probe while the Temp probe function is operating or insert the temp probe while baking or cooking normally, cooking will stop after 1 minute.



If you use the probe to cook frozen food, there are times when it cannot be detected. (Temp probe icon doesn't show in display.)

Temp probe table

Type of Food		Internal temperature
Beef / Lamb	Rare	140-150 °F
	Medium	160-170 °F
	Well done	175-185 °F
Pork		175-185 °F
Poultry		185-195 °F



If you cover the meat with aluminum foil and allow it to stand for 10 minutes after cooking, the Internal temperature will rise 5-10 degrees.

Removing the Temp probe

Remove the temp probe plug from the socket.



After cooking, the temp probe is hot enough to cause burns.

SETTING THE SABBATH FEATURE

(For use on the Jewish Sabbath & Holidays)



For further assistance, guidelines for proper usage and a complete list of models with the Sabbath feature, please visit the web at <http://www.star-k.org>.

You can use the Sabbath feature for baking only. The oven temperature may be set higher or lower after you have set the Sabbath feature (the oven temperature adjustment feature should be used only during Jewish holidays). The display, however, will not change and tones will not sound when a change occurs. Once the oven is properly set for baking with the Sabbath feature active, the oven will remain continuously on until the Sabbath feature is cancelled. This will override the factory preset 12 hour energy saving feature. If the oven light is needed during the Sabbath, press **Oven Light** before activating the Sabbath feature. Once the oven light is turned on and the Sabbath feature is active, the oven light will remain on until the Sabbath feature is turned off. If the oven light needs to be off, be sure to turn the oven light off before activating the Sabbath feature.

How to use the Sabbath feature

1. Press **Bake**.

The default temperature is 350 °F.

2. Enter the temperature you want, eg. 375 °F, by using the number pad.

3. Press **Oven Start/Set**.

The temperature display will start to change once the oven temperature reaches 175 °F.







4. Press **Bake** and **Touch To Wake-Up** at the same time for 3 seconds.

The display will show **SAb**.

Once SAb appears in the display, the oven control will no longer beep or display any further changes.

You may change the oven temperature once baking has started. Remember that the oven control will no longer beep or display any further changes once the Sabbath feature is active.

5. You can turn the oven off at any time by pressing **Oven Off**. This will turn only the oven off. If you want to deactivate the Sabbath feature, hold down **Bake** and **Touch To Wake-Up** at the same time for 3 seconds. Sab will disappear from the display.
-

-  Do not attempt to activate any other program feature except **Bake** while the Sabbath feature is active. ONLY the following key pads will function correctly with the Sabbath feature: **Number Pad, Bake, Oven Start/Set** and **Oven Off**. All Other Keypads should not be used once the Sabbath feature is activated.
-  You can change the oven temperature, but the display will not change and tones will not sound when a change occurs. (the oven temperature adjustment feature should be used only Jewish holidays) After changing the temperature while the unit is in Sabbath mode there is a 15 seconds delay before the unit will recognize the change.
-  You can set the Cook time function before activating the Sabbath feature.
-  Should you experience a power failure or interruption, the oven will shut off. When power is returned the oven will not turn back on automatically. SAb will be displayed in the oven control display, but the oven will not operate. The food may be safely removed from the oven while the oven is still in the Sabbath mode, however the oven cannot be turned back on until after the Sabbath/Holidays. After the Sabbath observance turn OFF the Sabbath mode. Press and hold both **Bake** and **Touch To Wake-Up** for at least 3 seconds simultaneously to turn the Sabbath mode off. The oven may be used normally.
-  Do not open the oven door or change the oven temperature for about 30 minutes after you have started Sabbath mode to allow the oven to reach the set temperature. Note that, for best performance, the oven fan operates only when the oven temperature is rising.
-  Do not use the cooktop when the range is in the Sabbath MODE.

maintaining your appliance

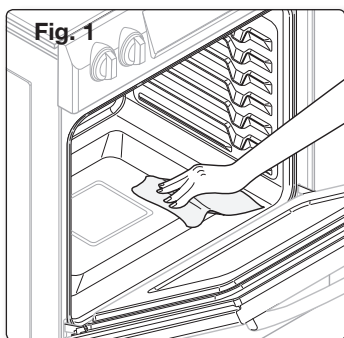
SELF-CLEANING

This self-cleaning oven uses high temperatures (well above cooking temperatures) to burn off leftover grease and residue completely or reduce them to a finely powdered ash that you can wipe away with a damp cloth.

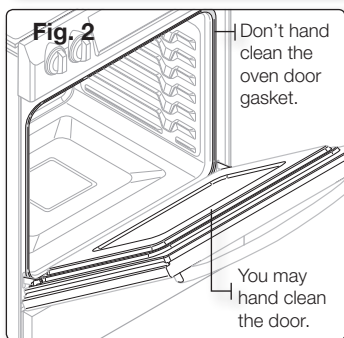


- During the self-cleaning cycle, the outside of the range will become very hot to the touch. **Do not** leave small children unattended near the appliance.
- Some birds can be sickened by the fumes given off during the self-cleaning cycle of any range. Move birds to another well-ventilated room.
- **Do not** line the oven walls, racks, bottom, or any other part of the range with aluminum foil. Doing so will result in poor heat distribution, produce poor baking results, and cause permanent damage to the oven interior. Aluminum foil will melt and adhere to the interior surface of the oven.
- **Do not** force the oven door open. This can damage the automatic door locking system. Use care when opening the oven door after the self-cleaning cycle is complete. Stand to the side of the oven when opening the door to allow hot air or steam to escape. The oven may still be **VERY HOT**.

Before a self-cleaning cycle



- We recommend venting your kitchen by opening a window or using a ventilation fan or hood during the self-cleaning cycle.
- Remove the wire rack, broil pan, broil pan insert, all cookware, and any aluminum foil from the oven.
- Wipe up debris from the oven bottom. (Fig. 1)
- The silver-colored oven racks can be self-cleaned, but they will darken, lose their luster, and become hard to slide.



- Residue on the front frame of the range and outside the gasket on the door will need to be cleaned by hand. Clean these areas with hot water, soap-filled steel-wool pads, or cleansers such as Soft Scrub. Rinse well with clean water and dry.
- Do not clean the gasket. The fiberglass material of the oven door gasket cannot withstand abrasion. It is essential for the gasket to remain intact. If you notice it becoming worn or frayed, replace it. (Fig. 2)
- Make sure the oven light bulb cover is in place and the oven light is off.



Remove oven racks and accessories before starting the self-clean mode.

How to run a self-cleaning cycle

1. Select the length of time for the self-cleaning operation, eg. 3 hours.
Press **Self Clean** once for a 3 hour clean time, twice for a 4 hour clean time, or 3 times for a 5 hour clean time.
The default setting is 3 hours.
2. Start the self-cleaning cycle.
Press **Oven Start/Set**. The motor-driven door lock will engage automatically.
3. When the self-cleaning cycle is done, End will show in the display and a beep will sound 6 times.



- You will not be able to start a self-cleaning cycle if the control lockout feature is activated or if the oven's temperature is too hot.
- The oven door locks automatically. The display will show the cleaning time remaining. It is not possible to open the oven door until the temperature drops to a safe/cool temperature.

How to delay the start of self-cleaning

1. Press **Self Clean**.
Select the desired self-clean time by pressing **Self Clean**.
2. Press **Delay Start**.
3. Enter the time you want the clean cycle to start.
4. Press **Oven Start/Set**.
The display will show delay start, self clean, and the Lock icon. The motor-driven door lock will engage automatically.
5. The Self-Cleaning cycle will turn on automatically at the set time.

How to turn off the self-cleaning feature

You may find it necessary to stop or interrupt a self-cleaning cycle due to smoke in the oven.

1. Press **Oven Off**.
2. You will be able to open the oven door once the oven has cooled down for approximately 1 hour.

After a self-cleaning cycle

- You may notice some white ash in the oven. Wipe it up with a damp cloth after the oven cools. (If white spots remain, remove them with a soap-filled steel wool pad and rinse thoroughly with a vinegar and water mixture.)
- If the oven is not clean after one cycle, repeat the cycle.
- You cannot set the oven for cooking until the oven is cool enough for the door to unlock.

STEAM-CLEANING

How to set the oven for steam-cleaning

For light cleaning, the Steam-cleaning function saves time and energy. For heavier-duty cleaning of debris and grease, use the self-cleaning function.

1. Remove all accessories from the oven.
2. Pour approximately 10 oz. (300 ml) of water onto the bottom of the empty oven and close the oven door.

Use normal water only, not distilled water.

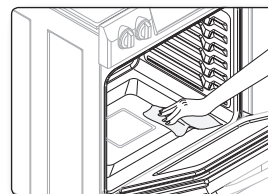


3. Press **Steam Clean**.
4. Press **Oven Start/Set**.

When the operation is complete, the display will blink and a beep will sound.

5. Press **Oven Off**.
6. Clean the oven's interior.

There will be a significant amount of water remaining on the bottom of the oven after a steam-cleaning cycle. Remove the residual water with a sponge or soft dry cloth.



- ★ When steam-cleaning, use exactly 10 oz. of water since this produces the best results.
- 🗒 If you press **Steam Clean** when the oven temperature is above 100 °F, **Hot** will appear in the display. Because these functions produce the best results when started while the oven is cool, we recommend that you wait until the oven has cooled down and Hot disappears from the display.

After a steam-cleaning cycle

- Take care when opening the door after a steam-cleaning procedure has ended. The water on the bottom is hot.
- Open the oven door and remove the remaining water with a sponge. Do not leave the residual water in the oven for any length of time. Wipe the oven clean and dry with a soft cloth. Do not forget to wipe under the oven door seal.
- Use a detergent-soaked sponge, a soft brush, or a nylon scrubber to wipe the oven interior. Remove stubborn residue with a nylon scourer. You can remove lime deposits with a cloth soaked in vinegar.
- If the oven remains dirty, you can repeat the procedure once the oven has cooled.
- For heavy residue, such as grease left over from roasting, we recommend that you rub detergent into the residue before activating the steam-cleaning function.
- After cleaning, leave the oven door ajar at a 15 ° angle to allow the interior enamel surface to dry thoroughly.

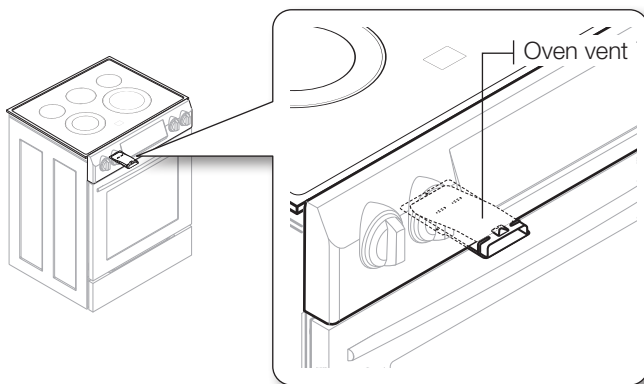
CARE AND CLEANING OF THE OVEN



- Be sure all controls are OFF and all surfaces are COOL before cleaning any part of the range.
- If your range is removed for cleaning, servicing, or any reason, be sure the Anti-Tip device is re-engaged properly when the range is replaced. If you fail to re-engage the Anti-Tip device, the range could tip and cause serious injury.



Oven vent



- The oven vent is located below the control box.
- This area could become hot during oven use.
- It is normal for steam to come out of the vent.
- The vent is important for proper air circulation. Never block this vent.

Cleaning painted parts and decorative trim

- For general cleaning, use a cloth with hot and soapy water.
- For more difficult residue and built-up grease, apply a liquid detergent directly onto the area and leave for 30 to 60 minutes. Wipe with a damp cloth and dry. Do not use abrasive cleaners on any of these surfaces. They can scratch.

Cleaning stainless steel surfaces

1. Shake the bottle of Stainless Steel Appliance Cleaner or polish well.
2. Place a small amount of Stainless Steel Appliance Cleaner or polish on a damp cloth or damp paper towel.
3. Clean a small area, rubbing with the grain of the stainless steel if applicable.
4. Dry and buff with a clean, dry paper towel or soft cloth.
5. Repeat as necessary.

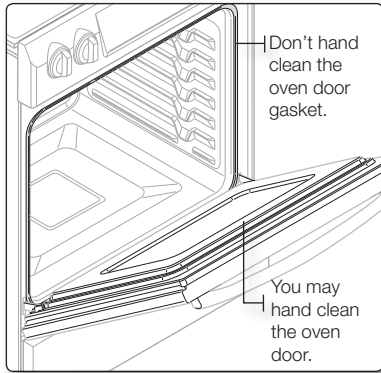


- **Do not use a steel-wool pad. It will scratch the surface.**
- If a mineral oil-based stainless steel appliance cleaner has been used before to clean the appliance, wash the surface with dishwashing liquid and water prior to using the Stainless Steel Appliance Cleaner or polish.

Oven racks

- If the racks are left in the oven during a self-cleaning cycle, their color will turn slightly blue and the finish will be dull. After the self-cleaning cycle is complete and the oven has cooled, rub the sides of the racks with wax paper or a cloth containing a small amount of oil. This will help the racks glide more easily into their tracks.

Oven door



- Use soap and water to thoroughly clean the top, sides, and front of the oven door. Rinse well. You may use a glass cleaner on the outside glass of the oven door. **DO NOT** immerse the door in water. **DO NOT spray or allow water or the glass cleaner to enter the door vents.** **DO NOT** use oven cleaners, cleaning powders, or any harsh abrasive cleaning materials on the outside of the oven door.
- **DO NOT clean the oven door gasket.** The oven door gasket is made of a woven material which is essential for a good seal. Care should be taken not to rub, damage, or remove this gasket.

CARE AND CLEANING OF THE GLASS COOKTOP

Normal daily use cleaning

Use only a ceramic cooktop cleaner. Other creams may not be as effective.

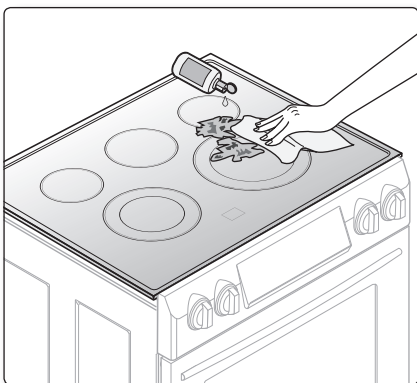
By following these steps, you can maintain and protect the surface of your glass cooktop.

1. Before using the cooktop for the first time, clean it with a ceramic cooktop cleaner. This helps protect the top and makes cleanup easier.
2. Daily use of a ceramic cooktop cleaner will help keep the cooktop looking new.
3. Shake the cleaning cream well. Apply a few drops of cleaner directly to the cooktop.
4. Use a paper towel or a cleaning pad for ceramic cooktops to clean the entire cooktop surface.
5. Use a dry cloth or paper towel to remove all cleaning residue. No need to rinse.



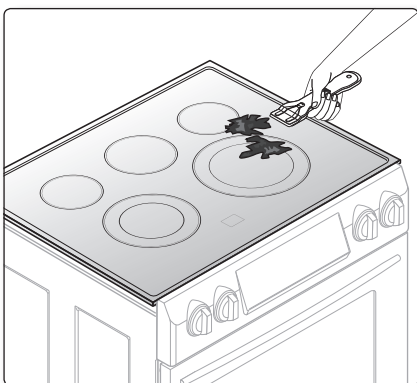
DAMAGE to your glass surface may occur if you use scrub pads other than those recommended.

Removing burned-on residue



1. Allow the cooktop to cool.
2. Spread a few drops of ceramic cooktop cleaner on the entire burned residue area.
3. Using the cleaning pad for ceramic cooktops, rub the residue area, applying pressure as needed.
4. If any residue remains, repeat the steps listed above as needed.
5. For additional protection, after all residue has been removed, polish the entire surface with ceramic cooktop cleaner and a paper towel.

Removing heavy, burned-on residue



1. Allow the cooktop to cool.
2. Use a single-edge razor-blade scraper at approximately a 45 ° angle against the glass surface and scrape the soil. It will be necessary to apply pressure in order to remove the residue.
3. After scraping with the razor scraper, spread a few drops of ceramic cooktop cleaner on the entire burned residue area. Use the cleaning pad to remove any remaining residue. (Do not scrape the seal.)
4. For additional protection, after all residue has been removed, polish the entire surface with the cooktop cleaner and a paper towel.

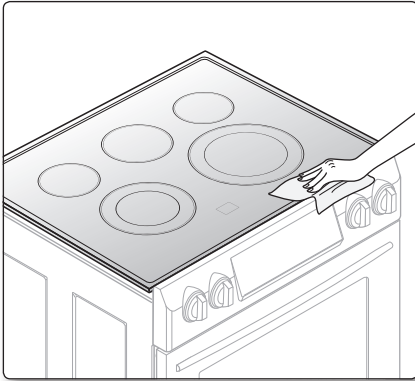
Removing metal marks and scratches

1. Be careful not to slide pots and pans across your cooktop. It will leave marks on the cooktop surface. You can remove these marks by applying ceramic cooktop cleaner with a cleaning pad for ceramic cooktops.
2. If pots with a thin overlay of aluminum or copper are allowed to boil dry, the overlay may leave black discoloration on the cooktop. You should remove this discoloration immediately or it may become permanent.



Carefully check the bottoms of pans for roughness that may scratch the cooktop.

Cleaning the cooktop seal



To clean the seal around the edges of the glass, lay a wet cloth on it for a few minutes, then wipe clean with a nonabrasive cleaner.

Potential for permanent damage to the glass surface

- Sugary spillovers (such as jellies, fudge, candy, syrups) or melted plastics can cause pitting of the surface of your cooktop. This is not covered under the warranty. You should clean the spill while it is still hot. Take special care when removing hot substances. Refer to the following section.
- When using a scraper, be sure it is new and the razor blade is still sharp. Do not use a dull or nicked blade.

Cleaning sugary spills and melted plastic

1. Turn off all surface units. Remove hot pans.
2. Wearing an oven mitt, use a single-edge razor-blade scraper to move the spill to a cool area of the cooktop. Remove the spill with paper towels.
3. Any remaining spillover should be left until the surface of the cooktop has cooled.
4. Don't use the surface units again until all of the residue has been completely removed.



If pitting or indentations in the glass surface have already occurred, the cooktop glass will have to be replaced. In this case, service will be necessary.

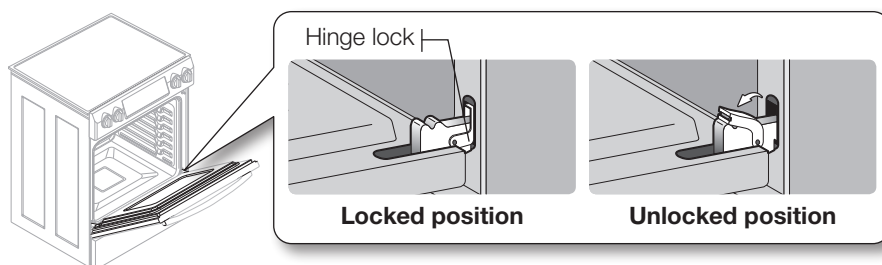
REMOVING AND REPLACING THE OVEN DOOR

How to remove the door



- The door is very heavy. Be careful when removing and lifting the door. Do not lift the door by the handle.
- Turn the power OFF before removing the door.

1. Open the door completely.
2. Pull the hinge locks down toward the door frame to the unlocked position.



3. Firmly grasp both sides of the door at the top.
4. Close the door to the door removal position, which is approximately 5 degrees from vertical (Fig. 1).
5. Lift door up and out until the hinge arm is clear of the slot (Fig. 2).

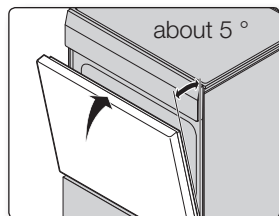


Fig. 1

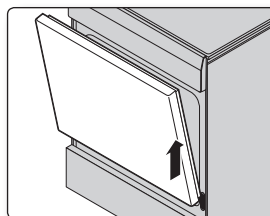
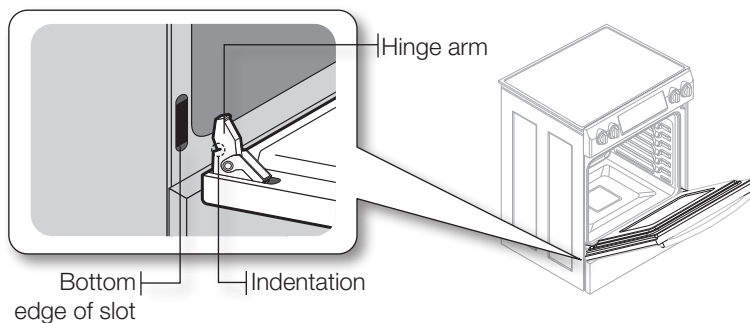


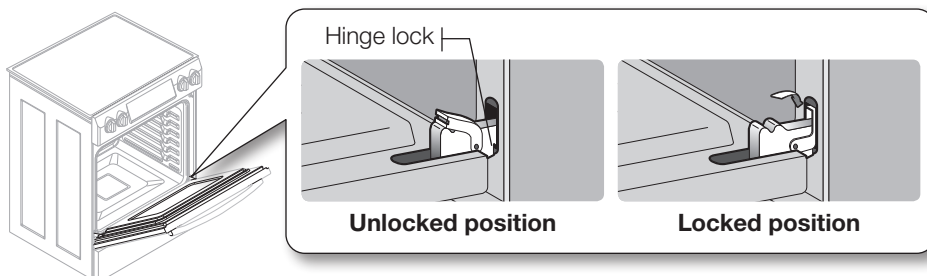
Fig. 2

How to replace the door

1. Firmly grasp both sides of the door at the top.
2. With the door at the same angle as the removal position, slide the indentation of the hinge arm into the bottom edge of the hinge slot. The notch in the hinge arm must be fully inserted into the bottom of the slot.



3. Open the door fully. If the door will not open fully, the indentation is not inserted correctly in the bottom edge of the slot.
4. Push the hinge locks up against the front frame of the oven cavity to the locked position.

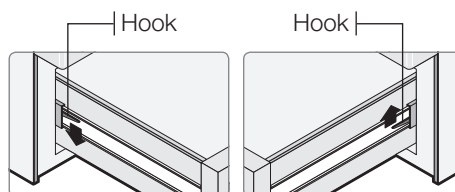


5. Close the oven door.

REMOVING AND REPLACING THE STORAGE DRAWER

How to remove the storage drawer

1. Pull the drawer out until it stops.
2. Tilt the front of the drawer and pull out it until it stops.
3. Lift and pull the drawer out.



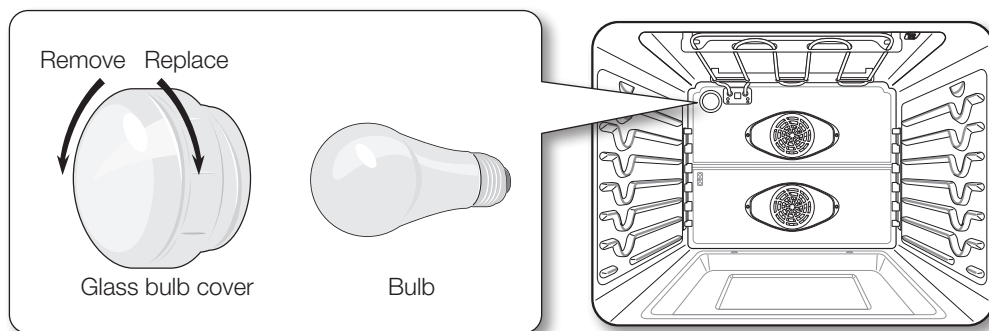
How to replace the storage drawer

1. Put the left side of the drawer over the left hook and the right side over the right hook.
2. Push the drawer until it stops.
3. Tilt and lift the drawer.
4. Push the drawer in.

CHANGING THE OVEN LIGHT

The oven light is a standard 40-watt appliance bulb. It will come on when the oven door is open. When the oven door is closed, press **Oven Light** to turn it on or off. It will not work during a self-cleaning cycle.

1. Make sure the oven and the bulb are cool.
2. Unplug the range or disconnect the power.
3. Turn the glass bulb cover in the back of the oven counterclockwise to remove.
4. Turn the bulb counterclockwise to remove it from its socket.



5. Replace the light bulb and glass bulb cover by turning them clockwise.
6. Plug in the range or reconnect power.



Before changing your oven light bulb, disconnect the electrical power to the range at the main fuse or circuit breaker panel. Make sure the oven and the bulb are cool.

troubleshooting

TROUBLESHOOTING

Samsung works hard to ensure that you don't have problems with your new electric range. If you run into unexpected trouble, look first for a solution in the table below. If, after trying the suggested solution, you're still having trouble, call Samsung at 1-800-SAMSUNG (1-800-726-7864).

PROBLEM	POSSIBLE CAUSE	SOLUTION
The range is not level.	The appliance has been installed improperly.	<ul style="list-style-type: none"> Place the oven rack in the center of the oven. Place a level on the oven rack. Adjust the leveling legs at the base of the range until the oven rack is level. Insure the floor is level and strong and stable enough to adequately support the range.
	The floor is sagging or sloping.	<ul style="list-style-type: none"> Contact a carpenter to correct the situation.
	The kitchen cabinets are not properly aligned and make the range appear to be not level.	<ul style="list-style-type: none"> Insure the cabinets are square and provide sufficient room for installation.
The appliance must be accessed for servicing and cannot be moved easily.	The kitchen cabinets are not square and built too tightly in to the appliance.	<ul style="list-style-type: none"> Contact a builder or installer to make the appliance accessible.
	Carpet is interfering with movement of the range.	<ul style="list-style-type: none"> Provide sufficient space so the range can be lifted over the carpet.
The oven control beeps and displays an error code.	You have a function error code.	
	CODE	CAUSE
	E-21	Oven sensor opened
	E-22	Oven sensor shorted
	E-24	Oven heating over
	E-2E	Temp probe error
	E-0E	Door locking error
	E-83	Communication error
-tE-	Communication error (Touch)	
The surface units will not maintain a rolling boil or will not cook fast enough.	You may be using inappropriate cookware.	<ul style="list-style-type: none"> Use pans which are flat and match the diameter of the surface unit selected.
	In some areas, the power (voltage) may be low.	<ul style="list-style-type: none"> Cover the pan with a lid until the desired heat is obtained.
The surface units will not turn on.	A fuse in your home may be blown or the circuit breaker tripped.	<ul style="list-style-type: none"> Replace the fuse or reset the circuit breaker.
	The cooktop controls are set improperly.	<ul style="list-style-type: none"> Check to see the correct control is set for the surface unit you are using.
The surface unit stops glowing when changed to a lower setting.	This is normal. The unit is still on and hot.	

PROBLEM	POSSIBLE CAUSE	SOLUTION
Areas of discoloration on the cooktop.	Food spillover was not cleaned.	<ul style="list-style-type: none"> Refer to the section on care and cleaning of the glass cooktop on page 60.
	The surface is hot and the model features a light-colored cooktop.	<ul style="list-style-type: none"> This is normal. The surface may appear discolored when it is hot. This is temporary and will disappear as the glass cools.
The surface unit frequently cycles on and off.	This is normal.	<ul style="list-style-type: none"> The element will cycle on and off to maintain the power setting.
The oven will not turn on.	The range is not completely plugged into the electrical outlet.	<ul style="list-style-type: none"> Make sure the electrical plug is inserted into a live, properly grounded outlet.
	A fuse in your home may be blown or the circuit breaker tripped.	<ul style="list-style-type: none"> Replace the fuse or reset the circuit breaker.
	The oven controls have been set improperly.	<ul style="list-style-type: none"> See the chapter on operating the oven.
	The oven is too hot.	<ul style="list-style-type: none"> Allow the oven to cool.
The appliance will not turn on.	The appliance is not completely plugged into the electrical outlet or a fuse in your home may be blown or the circuit breaker tripped.	<ul style="list-style-type: none"> Make sure the power cord is plugged into a live, properly grounded outlet. Check the fuse and circuit breakers.
	Incomplete service wiring.	<ul style="list-style-type: none"> Call for service.
	Power outage.	<ul style="list-style-type: none"> Check to see if the house lights will turn on. If required, call your local electric company for service.
The oven light will not turn on.	The light bulb is loose or defective.	<ul style="list-style-type: none"> Tighten or replace the bulb.
	The switch operating light is broken.	<ul style="list-style-type: none"> Call for service.
Oven smokes excessively during broiling.	The control has not been set properly.	<ul style="list-style-type: none"> Refer to the section on setting oven controls. Make sure the oven door is opened to the broil stop position.
	The meat has been placed too close to the element.	<ul style="list-style-type: none"> Reposition the rack to provide proper clearance between the meat and the element. Preheat the broil element for searing.
	The meat has not been properly prepared.	<ul style="list-style-type: none"> Remove the excess fat from the meat. Cut away fatty edges that may curl, leaving the lean intact.
	Grease has built up on oven surfaces.	<ul style="list-style-type: none"> Regular cleaning is necessary when broiling frequently.
Food does not bake or roast properly.	The oven controls have not been set correctly.	<ul style="list-style-type: none"> See the chapter on operating the oven.
	The oven rack has been positioned incorrectly or is not level.	<ul style="list-style-type: none"> See the section on using the oven racks on page 40.
	Incorrect cookware or cookware of improper size is being used.	
	The oven sensor needs to be adjusted.	<ul style="list-style-type: none"> See the section on adjusting the thermostat on page 51.

PROBLEM	POSSIBLE CAUSE	SOLUTION
Food does not broil properly.	The oven controls have been set incorrectly.	<ul style="list-style-type: none"> • Press BROIL.
	The rack has not been properly positioned.	<ul style="list-style-type: none"> • See the broiling recommendation guide on page 46.
	Cookware not suited for broiling.	<ul style="list-style-type: none"> • Use suitable cookware.
	In some areas the power (voltage) may be low.	<ul style="list-style-type: none"> • Preheat the broil element for 10 minutes. • See the broiling recommendation guide on page 46.
The oven temperature is too hot or too cold.	The oven sensor needs to be adjusted.	<ul style="list-style-type: none"> • See the section on adjusting the thermostat on page 51.
Scratches or abrasions on cooktop surface.	The cooktop is being cleaned improperly.	<ul style="list-style-type: none"> • Scratches are not removable. Tiny scratches will become less visible in time as a result of cleaning.
	Cookware with rough bottoms was used on the cooktop or there were coarse particles (eg. salt or sand) present between the cookware and the surface of the cooktop.	<ul style="list-style-type: none"> • To avoid scratches, use the recommended cleaning procedures. Make sure cookware bottoms are clean before use, and use cookware with smooth bottoms.
	Cookware has been slid across the cooktop surface.	
Brown streaks or specks.	Boilovers have been cooked onto the surface.	<ul style="list-style-type: none"> • Use the blade scraper to remove soil. • See the section on care and cleaning of the glass cooktop on page 60.
Areas of discoloration with metallic sheen.	Mineral deposits from water and food have been left on the surface of the cooktop.	<ul style="list-style-type: none"> • Remove using a ceramic-glass cooktop cleaning cream. • Use cookware with clean, dry bottoms.
The oven will not self-clean.	The oven temperature is too high to set a self-clean operation.	<ul style="list-style-type: none"> • Allow the range to cool and reset the controls.
	The oven controls have been set incorrectly.	<ul style="list-style-type: none"> • See the section on self-cleaning on page 56.
	A self-cleaning cycle cannot be started if the oven lockout feature has been activated or if a radiant surface element is on.	
"Crackling" or "popping" sound.	This is the sound of the metal heating and cooling during both the cooking and cleaning functions.	<ul style="list-style-type: none"> • This is normal.
Excessive smoking during a self-cleaning cycle.	There is excessive soiling in the oven.	<ul style="list-style-type: none"> • Press Oven Off. Open the windows to rid the room of smoke. Wait until the self-cleaning cycle is cancelled. Wipe up the excessive soil and reset the oven for self-cleaning.
The oven door will not open after a self-cleaning cycle.	The oven is too hot.	<ul style="list-style-type: none"> • Allow the oven to cool.
Oven not clean after a self-cleaning cycle.	The oven controls were not set correctly.	<ul style="list-style-type: none"> • See the section on self-cleaning on page 56.
	The oven was heavily soiled.	<ul style="list-style-type: none"> • Wipe up heavy spillovers before starting the self-cleaning cycle. Heavily soiled ovens may need to be self-cleaned again or for a longer period of time.

PROBLEM	POSSIBLE CAUSE	SOLUTION
Steam from the vent.	When using the convection feature, it is normal to see steam coming out of the oven vent.	<ul style="list-style-type: none"> This is normal.
	As the number of racks or amount of food being cooked increases, the amount of visible steam will increase.	
Burning or oily odor emitting from the vent.	This is normal in a new oven and will disappear in time.	<ul style="list-style-type: none"> To speed the process, set a self-cleaning cycle for a minimum of 3 hours. See the section on self-cleaning on page 56.
Strong odor.	An odor from the insulation around the inside of the oven is normal for the first few times the oven is used.	<ul style="list-style-type: none"> This is temporary.
Fan noise.	A convection fan may automatically turn on and off.	<ul style="list-style-type: none"> This is normal.
Oven racks are difficult to slide.	The shiny, silver-colored racks were cleaned in a self-cleaning cycle.	<ul style="list-style-type: none"> Apply a small amount of vegetable oil to a paper towel and wipe the edges of the oven racks with the paper towel.
Display goes blank.	A fuse in your home may be blown or the circuit breaker tripped.	<ul style="list-style-type: none"> Replace the fuse or reset the circuit breaker.
Display flashes.	There was a power failure.	<ul style="list-style-type: none"> Reset the clock.
Drawer does not slide smoothly or drags.	The drawer is out of alignment.	<ul style="list-style-type: none"> Fully extend the drawer and push it all the way in. See the page 64.
	The drawer is over-loaded or the load is unbalanced.	<ul style="list-style-type: none"> Reduce weight. Redistribute drawer contents.

warranty (U.S.A)

PLEASE DO NOT DISCARD THIS REPLACES THE WARRANTY PAGE IN THE USE & CARE GUIDE

SAMSUNG ELECTRIC RANGE

LIMITED WARRANTY TO ORIGINAL PURCHASER

This SAMSUNG brand product, as supplied and distributed by SAMSUNG ELECTRONICS AMERICA, INC. (SAMSUNG) and delivered new, in the original carton to the original consumer purchaser, is warranted by SAMSUNG against manufacturing defects in materials and workmanship for a limited warranty period of:

One (1) Year Parts and Labor, Five (5) Years Parts Warranty For Glass Cooktop and Heater Radiant

During this limited additional four-year warranty, you will responsible for any labor or in-home service.

This limited warranty begins on the original date of purchase, and is valid only on products purchased and used in the United States. To receive warranty service, the purchaser must contact SAMSUNG for problem determination and service procedures. Warranty service can only be performed by a SAMSUNG authorized service center. The original dated bill of sale must be presented upon request as proof of purchase to SAMSUNG or SAMSUNG's authorized service center. Samsung will provide in-home service during the warranty period at no charge subject to availability within the contiguous United States. In home service is not available in all areas. To receive in home service product must be unobstructed and accessible to the service agent. If service is not available Samsung may elect to provide transportation of the product to and from an authorized service center.

SAMSUNG will repair or replace this product, at our option and at no charge as stipulated herein, with new or reconditioned parts or products if found to be defective during the limited warranty period specified above. All replaced parts and products become the property of SAMSUNG and must be returned to SAMSUNG. Replacement parts and products assume the remaining original warranty, or ninety (90) days, whichever is longer.

This limited warranty covers manufacturing defects in materials and workmanship encountered in normal, noncommercial use of this product and shall not apply to the following: damage which occurs in shipment; delivery and installation; applications and uses for which this product was not intended; altered product or serial numbers; cosmetic damage or exterior finish; accidents, abuse, neglect, fire, water, lightning or other acts of nature; use of products, equipment, systems, utilities, services, parts, supplies, accessories, applications, installations, repairs, external wiring or connectors not supplied or authorized by SAMSUNG which damage this product or result in service problems; incorrect electrical line voltage, fluctuations and surges; customer adjustments and failure to follow operating instructions, maintenance and environmental instructions that are covered and prescribed in the instruction book; product removal and reinstallation; problems caused by pest infestations, and overheating or overcooking by user. This limited warranty shall not cover cases of incorrect electric current, voltage or supply, light bulbs, house fuses, house wiring, cost of a service call for instructions, or fixing installation errors. Furthermore, damage to the glass cooktop caused by the use of cleaners other than the recommended cleaners and pads, damage to the glass cook top caused by hardened spills of sugary materials or melted plastic that are not cleaned according to the directions in the use and care guide are not covered. SAMSUNG does not warrant uninterrupted or error-free operation of the product.

EXCEPT AS SET FORTH HEREIN THERE ARE NO WARRANTIES ON THIS PRODUCT EITHER EXPRESS OR IMPLIED AND SAMSUNG DISCLAIMS ALL WARRANTIES INCLUDING, BUT NOT LIMITED TO, ANY IMPLIED WARRANTIES OF MERCHANTABILITY, INFRINGEMENT OR FITNESS FOR A PARTICULAR PURPOSE. NO WARRANTY OR GUARANTY GIVEN BY ANY PERSON, FIRM OR CORPORATION WITH RESPECT TO THIS PRODUCT SHALL BE BINDING ON SAMSUNG. SAMSUNG SHALL NOT BE LIABLE FOR LOSS OF REVENUE OR PROFITS, FAILURE TO REALIZE SAVINGS OR OTHER BENEFITS, OR ANY OTHER SPECIAL, INCIDENTAL OR CONSEQUENTIAL DAMAGES CAUSED BY THE USE, MISUSE OR INABILITY TO USE THIS PRODUCT, REGARDLESS OF THE LEGAL THEORY ON WHICH THE CLAIM IS BASED, AND EVEN IF SAMSUNG HAS BEEN ADVISED OF THE POSSIBILITY OF SUCH DAMAGES. NOR SHALL RECOVERY OF ANY KIND AGAINST SAMSUNG BE GREATER IN AMOUNT THAN THE PURCHASE PRICE OF THE PRODUCT SOLD BY SAMSUNG AND CAUSING THE ALLEGED DAMAGE. WITHOUT LIMITING THE FOREGOING, PURCHASER ASSUMES ALL RISK AND LIABILITY FOR LOSS, DAMAGE OR INJURY TO PURCHASER AND PURCHASER'S PROPERTY AND TO OTHERS AND THEIR PROPERTY ARISING OUT OF THE USE, MISUSE OR INABILITY TO USE THIS PRODUCT. THIS LIMITED WARRANTY SHALL NOT EXTEND TO ANYONE OTHER THAN THE ORIGINAL PURCHASER OF THIS PRODUCT, IS NONTRANSFERABLE AND STATES YOUR EXCLUSIVE REMEDY.

Some states do not allow limitations on how long an implied warranty lasts, or the exclusion or limitation of incidental or consequential damages, so the above limitations or exclusions may not apply to you. This warranty gives you specific legal rights, and you may also have other rights which vary from state to state.

To obtain warranty service, please contact SAMSUNG at:

**Samsung Electronics America, Inc.
85 Challenger Road Ridgefield Park, NJ 07660
1-800-SAMSUNG (726-7864) and www.samsung.com/us/support**

warranty (CANADA)

PLEASE DO NOT DISCARD THIS REPLACES THE WARRANTY PAGE IN THE USE & CARE GUIDE

SAMSUNG ELECTRIC RANGE

LIMITED WARRANTY TO ORIGINAL PURCHASER

This SAMSUNG brand product, as supplied and distributed by SAMSUNG ELECTRONICS CANADA, INC. (SAMSUNG) and delivered new, in the original carton to the original consumer purchaser, is warranted by SAMSUNG against manufacturing defects in materials and workmanship for a limited warranty period of:

One (1) Year Parts and Labor, Five (5) Years Parts Warranty For Glass Cooktop and Heater Radiant

During this limited additional four-year warranty, you will responsible for any labor or in-home service.

This limited warranty begins on the original date of purchase, and is valid only on products purchased and used in the CANADA. To receive warranty service, the purchaser must contact SAMSUNG for problem determination and service procedures. Warranty service can only be performed by a SAMSUNG authorized service center. The original dated bill of sale must be presented upon request as proof of purchase to SAMSUNG or SAMSUNG's authorized service center. Samsung will provide in-home service during the warranty period at no charge subject to availability within the contiguous CANADA. In home service is not available in all areas. To receive in home service product must be unobstructed and accessible to the service agent. If service is not available Samsung may elect to provide transportation of the product to and from an authorized service center.

SAMSUNG will repair or replace this product, at our option and at no charge as stipulated herein, with new or reconditioned parts or products if found to be defective during the limited warranty period specified above. All replaced parts and products become the property of SAMSUNG and must be returned to SAMSUNG. Replacement parts and products assume the remaining original warranty, or ninety (90) days, whichever is longer.

This limited warranty covers manufacturing defects in materials and workmanship encountered in normal, noncommercial use of this product and shall not apply to the following: damage which occurs in shipment; delivery and installation; applications and uses for which this product was not intended; altered product or serial numbers; cosmetic damage or exterior finish; accidents, abuse, neglect, fire, water, lightning or other acts of nature; use of products, equipment, systems, utilities, services, parts, supplies, accessories, applications, installations, repairs, external wiring or connectors not supplied or authorized by SAMSUNG which damage this product or result in service problems; incorrect electrical line voltage, fluctuations and surges; customer adjustments and failure to follow operating instructions, maintenance and environmental instructions that are covered and prescribed in the instruction book; product removal and reinstallation; problems caused by pest infestations, and overheating or overcooking by user. This limited warranty shall not cover cases of incorrect electric current, voltage or supply, light bulbs, house fuses, house wiring, cost of a service call for instructions, or fixing installation errors. Furthermore, damage to the glass cooktop caused by the use of cleaners other than the recommended cleaners and pads, damage to the glass cook top caused by hardened spills of sugary materials or melted plastic that are not cleaned according to the directions in the use and care guide are not covered. SAMSUNG does not warrant uninterrupted or error-free operation of the product.

EXCEPT AS SET FORTH HEREIN THERE ARE NO WARRANTIES ON THIS PRODUCT EITHER EXPRESS OR IMPLIED AND SAMSUNG DISCLAIMS ALL WARRANTIES INCLUDING, BUT NOT LIMITED TO, ANY IMPLIED WARRANTIES OF MERCHANTABILITY, INFRINGEMENT OR FITNESS FOR A PARTICULAR PURPOSE. NO WARRANTY OR GUARANTY GIVEN BY ANY PERSON, FIRM OR CORPORATION WITH RESPECT TO THIS PRODUCT SHALL BE BINDING ON SAMSUNG. SAMSUNG SHALL NOT BE LIABLE FOR LOSS OF REVENUE OR PROFITS, FAILURE TO REALIZE SAVINGS OR OTHER BENEFITS, OR ANY OTHER SPECIAL, INCIDENTAL OR CONSEQUENTIAL DAMAGES CAUSED BY THE USE, MISUSE OR INABILITY TO USE THIS PRODUCT, REGARDLESS OF THE LEGAL THEORY ON WHICH THE CLAIM IS BASED, AND EVEN IF SAMSUNG HAS BEEN ADVISED OF THE POSSIBILITY OF SUCH DAMAGES. NOR SHALL RECOVERY OF ANY KIND AGAINST SAMSUNG BE GREATER IN AMOUNT THAN THE PURCHASE PRICE OF THE PRODUCT SOLD BY SAMSUNG AND CAUSING THE ALLEGED DAMAGE. WITHOUT LIMITING THE FOREGOING, PURCHASER ASSUMES ALL RISK AND LIABILITY FOR LOSS, DAMAGE OR INJURY TO PURCHASER AND PURCHASER'S PROPERTY AND TO OTHERS AND THEIR PROPERTY ARISING OUT OF THE USE, MISUSE OR INABILITY TO USE THIS PRODUCT. THIS LIMITED WARRANTY SHALL NOT EXTEND TO ANYONE OTHER THAN THE ORIGINAL PURCHASER OF THIS PRODUCT, IS NONTRANSFERABLE AND STATES YOUR EXCLUSIVE REMEDY.

Some states do not allow limitations on how long an implied warranty lasts, or the exclusion or limitation of incidental or consequential damages, so the above limitations or exclusions may not apply to you. This warranty gives you specific legal rights, and you may also have other rights which vary from state to state.

To obtain warranty service, please contact SAMSUNG at:

Samsung Electronics Canada Inc.
2050 Derry Road West, Mississauga, Ontario L5N 0B9 Canada
1-800-SAMSUNG (726-7864) and www.samsung.com/ca/support (English)
www.samsung.com/ca_fr/support (French)



Scan the QR code* or visit
www.samsung.com/spsn
to view our helpful
How-to Videos and Live Shows

*Requires reader to be installed on your smartphone

Scan this with your smartphone

Please be advised that the Samsung warranty does NOT cover service calls to explain product operation, correct improper installation, or perform normal cleaning or maintenance.

QUESTIONS OR COMMENTS?

COUNTRY	CALL	OR VISIT US ONLINE AT
U.S.A Consumer Electronics	1-800-SAMSUNG (726-7864)	www.samsung.com/us/support
CANADA	1-800-SAMSUNG (726-7864)	www.samsung.com/ca/support (English) www.samsung.com/ca_fr/support (French)



NE58F9500SS
NE58K9500SG

Estufa eléctrica

manual del usuario

imagine las posibilidades

Gracias por adquirir este producto Samsung.

SAMSUNG

dispositivo anti inclinación



ADVERTENCIA- Para reducir el riesgo de inclinación o vuelco de la estufa, ésta debe asegurarse mediante un dispositivo anti inclinación correctamente instalado. **DESPUÉS DE INSTALAR LA ESTUFA, CONFIRME QUE EL DISPOSITIVO ANTI INCLINACIÓN ESTÉ CORRECTAMENTE INSTALADO Y VERIFIQUE QUE ESTÉ CORRECTAMENTE CONECTADO.** Remítase al manual de instalación donde se brindan las instrucciones correspondientes.

- a) Si el dispositivo anti inclinación no está instalado, un niño o un adulto podrían inclinar la estufa y morir.
- b) Verifique que el dispositivo anti inclinación haya sido instalado y conectado correctamente en la parte posterior derecha (o posterior izquierda) de la base de la estufa.
- c) Si mueve la estufa y luego la vuelve a colocar en su lugar, asegúrese de volver a conectar el dispositivo anti inclinación en la parte posterior derecha o izquierda de la base de la estufa.
- d) No opere la estufa sin el dispositivo anti inclinación en su lugar y conectado.
- e) No hacerlo puede provocar la muerte o quemaduras serias a niños o adultos.



ADVERTENCIA

- No se pare sobre la puerta del horno de la estufa, ni se apoye o siente sobre ella.** Puede causar que la estufa se incline o vuelque, produciendo quemaduras o lesiones severas.
- Confirme que el dispositivo anti inclinación se encuentre instalado correctamente. Luego, para verificar que dicho dispositivo esté conectado, tome el borde superior trasero de la estufa y cuidadosamente intente inclinarla hacia adelante. El dispositivo anti inclinación debería prevenir que la estufa se incline hacia adelante más de unas pocas pulgadas.

Si, por cualquier razón, hala la estufa alejándola de la pared, asegúrese de que el dispositivo anti inclinación encaje correctamente cuando empuje la estufa a su lugar contra la pared. Si no se encuentra encajado, hay riesgo de que la estufa se incline o vuelque y cause lesiones si usted o un niño se parasen, sentasen o apoyasen sobre una puerta abierta.

Nunca retire completamente las patas niveladoras. Si las retira, la estufa no quedará sujeta correctamente al dispositivo anti inclinación.

contenido

INSTRUCCIONES DE SEGURIDAD IMPORTANTES

5

5 Instrucciones de seguridad importantes

INSTALACIÓN DEL HORNO

18

18 Acerca de esta sección

18 Para su seguridad

PREPARACIÓN PARA INSTALAR LA ESTUFA

19

19 Quite el empaque

19 Prepare las herramientas y las piezas

20 Control del sitio de instalación

CÓMO CONECTAR LA CORRIENTE ELÉCTRICA

22

22 Paso 1. Cumplimiento de los requisitos de conexión eléctrica

23 Paso 2. Acceso a la conexión del cable de alimentación

24 Paso 3. Instalación del cable de alimentación

26 Paso 4. Instalación del conducto

27 Paso 5. Colocación de la cubierta de acceso

INSTALACIÓN DE LA ESTUFA

28

28 Instalación del dispositivo anti inclinación

29 Finalización de la instalación

INTRODUCCIÓN A SU NUEVA ESTUFA

30

30 Descripción general

30 Elementos incluidos con su estufa

ANTES DE COMENZAR

31

31 Antes de comenzar

PRIMEROS PASOS

31

31 Ajuste del reloj

31 Modos de pantalla del panel de control

32 Cómo encender y apagar la luz del horno

32 Traba de controles

32 Cómo programar el temporizador de cocina

contenido

SUPERFICIE DE COCCIÓN

33

- 33 Acerca de la superficie de cocción
- 35 Como regular la estufa para la cocción en superficie
- 37 Utilización de los recipientes de cocción correctos
- 37 Selección de los recipientes de cocción correctos
- 38 Protección de la superficie de cocción

OPERACIÓN DEL HORNO

39

- 39 El panel de control del horno
- 40 Uso de las parrillas del horno
- 42 Ajustes mínimos y máximos
- 42 Hornear
- 43 Hornear por convección
- 44 Asar por convección
- 44 Cocción regida por temporizador
- 45 Inicio retardado
- 46 Asar a la parrilla
- 47 Cómo utilizar la función de cocción favorita
- 48 Uso de la función de cocción saludable
- 50 Cómo usar la función mantener caliente
- 50 Uso de la función entibiar pan para leudado
- 51 Cómo usar la función de opciones
- 53 Uso de la sonda de temperatura
- 55 Cómo programar la función Shabat

MANTENIMIENTO DE SU ELECTRODOMÉSTICO

56

- 56 Auto-limpieza
- 58 Limpieza al vapor
- 59 Cuidado y limpieza del horno
- 60 Cuidado y limpieza de la cubierta de vidrio
- 63 Cómo retirar y volver a colocar la puerta del horno
- 64 Cómo retirar y volver a colocar el cajón de almacenamiento
- 65 Recambio de la luz del horno

RESOLUCIÓN DE PROBLEMAS

66

- 66 Resolución de problemas

GARANTÍA

70

- 70 Garantía (EE.UU.)
- 71 Garantía (CANADÁ)

instrucciones de seguridad importantes












Lea y siga todas las instrucciones antes de utilizar su horno con el fin de evitar riesgos de incendio, descargas eléctricas, lesiones personales o daños al utilizar su estufa. Esta guía no cubre todas las situaciones que podrían ocurrir. Siempre tome contacto con su agente de servicio o con el fabricante para consultar sobre cualquier problema que usted no comprenda.

LO QUE NECESITA SABER SOBRE LAS INSTRUCCIONES DE SEGURIDAD

Las advertencias y las instrucciones de seguridad importantes de este manual no cubren todos los problemas y situaciones que podrían ocurrir. Usted tiene la responsabilidad de usar el sentido común, de ser precavido y cuidadoso al instalar, mantener y manejar su horno.

SÍMBOLOS Y PRECAUCIONES DE SEGURIDAD IMPORTANTES

Significado de iconos y símbolos en este manual del usuario:

 ADVERTENCIA	Prácticas peligrosas o inseguras que pueden provocar lesiones graves o la muerte.
 PRECAUCIÓN	Prácticas peligrosas o inseguras que pueden provocar lesiones leves o daños a la propiedad.
 PRECAUCIÓN	Para reducir el riesgo de incendio, explosión, descarga eléctrica o lesiones personales cuando utilice el horno, siga estas instrucciones básicas de seguridad.
	NO intentar.
	NO desensamblar.
	NO tocar.
	Siga las instrucciones fielmente.
	Desenchufe el enchufe de alimentación eléctrica del tomacorriente de la pared.
	Asegúrese de que la máquina tenga buena conexión a tierra para evitar descargas eléctricas.
	Comuníquese con el centro de servicio técnico para obtener ayuda.
	Nota

Estos iconos y símbolos de advertencia se incluyen para evitar que usted u otras personas sufran lesiones.

Sígalos explícitamente.

Una vez que haya leído esta sección, consérvela en un lugar seguro para consultas futuras.

ADVERTENCIA SOBRE LA STATE OF CALIFORNIA PROPOSITION 65 (SOLO EE.UU.)

ADVERTENCIA: Este producto contiene productos químicos reconocidos en el estado de California como capaces de provocar cáncer y defectos de nacimiento u otras afecciones reproductivas.

PARA SU SEGURIDAD

Cuando utilice electrodomésticos, debe seguir precauciones de seguridad básicas, a saber:



Utilice este electrodoméstico solo para el uso para el que fue destinado, tal como se describe en este Manual del Usuario.

Las superficies que podrían estar calientes incluyen la cubierta, áreas enfrente de la cubierta, abertura de ventilación del horno, superficies cercanas a dicha abertura y las hendeduras alrededor de la puerta del horno.



Asegúrese de que su electrodoméstico sea correctamente instalado y conectado a tierra por un técnico calificado.



Mantenimiento del usuario- No repare ni reemplace ninguna pieza de este electrodoméstico salvo que esto se encuentre específicamente recomendado en el manual. Todas las demás tareas de reparación o mantenimiento deben ser encomendadas a un técnico calificado.



Antes de realizar tareas de mantenimiento o reparación, siempre desconecte la alimentación eléctrica al electrodoméstico quitando el fusible o accionando el disyuntor.



No se introduzca en el horno.

Ningún artículo que pueda resultar de interés para los niños debe almacenarse en gabinetes arriba de una estufa o en su anaquel posterior. Los niños que se trepasen a la estufa para alcanzar los elementos podrían resultar seriamente lesionados.

No deje solos a los niños. Los niños nunca deben quedar solos o sin vigilancia en el lugar donde se utiliza este electrodoméstico. Nunca se les debe permitir sentarse o pararse sobre ninguna parte del electrodoméstico.

Nunca utilice su electrodoméstico para entibiar o calentar el ambiente.

No eche agua sobre grasas en llamas. Apague el horno para evitar que las llamas se extiendan. Ahogue el fuego o llama cerrando la puerta, o bien utilice un producto químico seco, bicarbonato de sosa o un extintor de incendio a base de espuma.

Evite rayar o impactar las puertas de vidrio, cubiertas o paneles de control. Hacerlo puede producir rotura de vidrios. No cocine sobre un producto con vidrios rotos. Se pueden producir descargas eléctricas, un incendio o cortes.

- ☐ Si se produce un incendio en el horno durante el horneado, ahogue el fuego cerrando la puerta del horno y apagando el horno o usando un producto químico seco multipropósito o un extintor de incendio a base de espuma.

Si se produce un incendio en el horno durante la auto-limpieza, apague el horno y espere a que se extinga el fuego. No fuerce la apertura de la puerta. La entrada de aire fresco a las temperaturas de auto-limpieza puede avivar las llamas en el horno. No cumplir con esta instrucción puede dar como resultado quemaduras graves.

Si el horno está muy sucio de aceite, haga auto-limpieza del mismo antes de usarlo nuevamente. Dejar el aceite crea un riesgo de incendio.

Friegue la suciedad resistente de la parte baja del horno con un trapo o una toalla de papel antes de la auto limpieza Hacer auto limpieza del horno cuando hay aceite pesado en el interior requiere ciclos de limpieza más largos y produce más humo.

- ★ **Almacenamiento en o sobre el electrodoméstico.** No almacene materiales inflamables en el horno o cerca de las unidades de superficie. Asegúrese de que todos los materiales de embalaje hayan sido retirados del electrodoméstico antes de ponerlo en funcionamiento. Mantenga materiales plásticos, indumentaria y papeles alejados de las partes del electrodoméstico que podrían calentarse.

Utilice la indumentaria apropiada. Nunca use prendas amplias o colgantes mientras utiliza el electrodoméstico.

Utilice solamente agarradores aislantes secos. Colocar agarradores aislantes mojados o húmedos sobre superficies calientes podría producir quemaduras por vapor. No permita que el agarrador entre en contacto con los elementos calentadores. No utilice una toalla o cualquier otra tela voluminosa en la estufa o cerca.

Enséñele a los niños que no deben jugar con los controles ni con ninguna otra parte de la estufa.

Para su seguridad, no use limpiadores de agua a alta presión ni limpiadores a chorro de vapor para limpiar ninguna pieza de la estufa.

Si el cable de alimentación está dañado, deberá ser reemplazado por el fabricante, su agente de servicio técnico o personas similares calificadas a fin de evitar riesgos.

El uso de este electrodoméstico no es apto para personas (incluye niños) con capacidades físicas, sensoriales o mentales reducidas, o que no tengan experiencia y conocimientos, a menos que sean supervisados o hayan recibido instrucción sobre el uso del electrodoméstico por parte de una persona responsable de su seguridad.

No se apoye sobre la estufa ya que podría girar las perillas de control sin darse cuenta.

UNIDADES DE SUPERFICIE DE COCCIÓN

- ☐ **Nunca deje sin atención unidades de superficie reguladas a altas temperaturas.** Los derrames por exceso de hervor producen humo y los derrames de sustancias grasas pueden arder en llamas.

Para evitar derrame de aceite o incendio, use una cantidad mínima de aceite cuando haga frituras y evite cocinar alimentos congelados con cantidades excesivas de hielo.

No levante la cubierta. Levantar la cubierta puede dañar la estufa y generar un funcionamiento defectuoso.

No haga funcionar la cubierta sin utensilios de cocina. Si hace funcionar la cubierta sin utensilios de cocina, las perillas de control se calentarán.

Nunca utilice la superficie de la cubierta de vidrio como tabla para cortar.

- ★ **Sea precavido al tocar la cubierta.** La superficie de vidrio de la cubierta retendrá el calor aún después de que se hayan apagado los controles.

Tenga cuidado cuando coloque cucharas u otros utensilios para revolver sobre la superficie de vidrio de la cubierta mientras se encuentre en uso. Podrían calentarse y causar quemaduras.

Utilice recipientes de cocción del tamaño adecuado. Este electrodoméstico se encuentra equipado con unidades de superficie de diferentes tamaños. Seleccione ollas y sartenes que tengan bases planas lo suficientemente grandes para cubrir la superficie del elemento calentador. Si se utilizan recipientes demasiado pequeños, una porción del elemento calentador quedará expuesta al contacto directo y podría causar que sus ropas ardieran. Hacer coincidir el tamaño de la olla o sartén con el quemador también mejorará la eficiencia.

Las manijas de los utensilios deben estar posicionadas hacia adentro y sin proyectarse sobre unidades de superficie adyacentes – Para reducir el riesgo de quemaduras, encendido de materiales inflamables y derrames causados por contactos accidentales con los utensilios, posicione las manijas de los mismos hacia adentro y sin proyectarse sobre unidades de superficie adyacentes.

Utensilios de cocción vidriados, enlozados o esmaltados. Solamente ciertos tipos de utensilios para cocinar de vidrio, vitro-cerámico o cerámica, o con superficies esmaltadas o con otros tratamientos son aptos para uso en la parte superior de la estufa sin romperse por bruscas diferencias de temperatura.

Las manijas de los utensilios deben estar giradas hacia afuera y no proyectarse sobre unidades de superficie adyacentes. Para reducir el riesgo de quemaduras, encendido de materiales inflamables y derrames causados por contactos accidentales con el utensilio, las manijas de los utensilios deben estar posicionadas hacia afuera y sin proyectarse sobre unidades de superficie adyacentes.

Limpieza. Lea y siga todas las instrucciones y advertencias de las etiquetas de las cremas de limpieza.

- ★ Asegúrese de saber cuál de las perillas controla cada unidad de superficie. Siempre asegúrese de que encendió la unidad de superficie correcta.

Siempre apague las unidades de superficie antes de retirar los recipientes de cocción.

Cuando prepare platillos flambeados debajo de la campana, encienda el ventilador.

Vigile las frituras que se realicen con regulaciones de temperatura altas o medianas.

NO almacene objetos pesados sobre la superficie de cocción que pudieran caerse y dañarla.

No use cubiertas decorativas para elementos de superficie – Si se enciende accidentalmente un elemento, la cubierta decorativa se calentará y posiblemente derretirá. Se producirán quemaduras si se tocan las cubiertas calientes. También se puede dañar la cubierta.

No mueva el recipiente ni el bol a una posición horizontal de la superficie de cocción.

SEGURIDAD ELÉCTRICA

- ★ **Instalación adecuada-** Asegúrese de que su electrodoméstico sea correctamente instalado y conectado a tierra por un técnico calificado.

El electrodoméstico debe ser reparado únicamente por personal técnico calificado. Las reparaciones realizadas por personas no calificadas pueden causar lesiones o fallas graves. Si necesita reparar su electrodoméstico, comuníquese con un centro de servicio autorizado de Samsung. No seguir estas instrucciones puede resultar en daños y anular la garantía.

Los electrodomésticos montados a nivel pueden operarse solo después de que fueron instalados en gabinetes y lugares de trabajo que cumplen con las códigos eléctricos y de construcción correspondientes. Esto asegura que los electrodomésticos sean instalados cumpliendo con las normas de seguridad adecuadas.

Si su electrodoméstico funciona mal o si aparecen roturas, rajaduras o grietas:

- apague todas las zonas de cocción.
- desenchufe la estufa del tomacorriente CA de la pared.
- comuníquese con su centro local de servicios.



ADVERTENCIA- Si la superficie está rajada, apague y desenchufe el electrodoméstico para evitar la posibilidad de una descarga eléctrica. No utilice su cubierta hasta que la superficie de vidrio haya sido reemplazada.



ADVERTENCIA- Asegúrese de que el electrodoméstico esté apagado antes de reemplazar la bombilla de luz para evitar la posibilidad de una descarga eléctrica.

La estufa no debe colocarse sobre una base.

SEGURIDAD DE LOS NIÑOS



ADVERTENCIA- Este electrodoméstico no está previsto para ser usado por niños o personas discapacitadas sin la adecuada supervisión de un adulto responsable.

Los niños deben ser supervisados para garantizar que no jueguen con el electrodoméstico.

Mantenga a los niños alejados del horno cuando abra o cierre la puerta. La puerta podría golpearlos cuando la abre o pillarles los dedos cuando la cierra.

Las zonas de cocción se calentarán cuando usted cocine. Para evitar que los niños pequeños se quemen, siempre manténgalos alejados del electrodoméstico cuando cocina.

Durante la auto-limpieza, las superficies de la estufa pueden calentarse más que lo normal. Para evitar que los niños se quemen, asegúrese de mantenerlos alejados de la estufa cuando está en el modo de auto-limpieza.



ADVERTENCIA- Las partes accesibles pueden calentarse durante el uso. Los niños pequeños deben mantenerse alejados para evitar quemaduras.

HORNO



NO TOQUE LOS ELEMENTOS CALENTADORES NI LAS SUPERFICIES INTERIORES DEL HORNO.

Los elementos calentadores pueden estar calientes aun cuando su color sea oscuro. Las superficies interiores de un horno se calientan lo suficiente como para producir quemaduras. Durante y después del uso, no toque los elementos calentadores ni las superficies interiores del horno y tampoco permita que sus ropas ni otros materiales inflamables entren en contacto con ellos hasta que haya transcurrido tiempo suficiente como para que se enfríen. Otras superficies del electrodoméstico pueden calentarse lo suficiente como para producir quemaduras. Entre ellas se encuentran las aberturas de ventilación del horno y superficies cercanas a estas aberturas, la puerta del horno y la ventana de la puerta del horno.

No caliente envases de alimentos que no hayan sido abiertos. La acumulación de presión puede hacer que el envase explote y cause lesiones.

No utilice el horno para secar periódicos. Si se recalientan, pueden arder en llamas.

No utilice el horno para almacenar objetos ni alimentos. Los elementos almacenados en un horno pueden prenderse fuego.

- ★ **Cuando abra la puerta, hágalo con precaución.** Permita la salida del vapor o aire caliente antes de retirar o volver a colocar los alimentos en el horno.

Revestimientos protectores. No utilice papel de aluminio para revestir el fondo del horno, salvo de la manera sugerida en el manual. La instalación incorrecta de estos revestimientos puede causar riesgos de descarga eléctrica o incendio.

Mantenga los conductos de ventilación del horno libres de obstrucciones. La abertura de ventilación del horno está ubicada debajo de la caja de control. Esta área podría calentarse durante el uso del horno. Nunca tapone esta abertura de ventilación ni coloque elementos de plástico o sensibles al calor sobre dicha abertura.

Colocación de las parrillas del horno. Siempre coloque las parrillas del horno en la posición deseada mientras el horno esté frío. Si debe moverse la parrilla cuando el horno está caliente, use agarradores aislantes. No deje que los agarradores aislantes entren en contacto con el elemento calentador caliente en el horno.

- ☐ No permita que papel de aluminio o una sonda de temperatura entren en contacto con los elementos calentadores.

Durante el uso, el electrodoméstico se calienta. Se debe tener la precaución de evitar tocar los elementos calentadores del interior del horno.

No utilice limpiadores abrasivos ni espátulas de metal filosas para limpiar el vidrio de la puerta del horno. Podrían rayar la superficie, lo cual puede provocar que el vidrio se haga añicos.

Si se produce un incendio en el horno durante el horneado, ahogue el fuego cerrando la puerta del horno y apagando el horno o usando un producto químico seco multipropósito o un extintor de incendio a base de espuma.



PRECAUCIÓN

No intente hacer funcionar el horno durante un corte de energía eléctrica. Si se produce un corte de energía, siempre apague el horno. Si no se apaga el horno y se restablece el suministro de energía, el horno puede empezar a funcionar nuevamente. Los alimentos que quedaron desatendidos podrían prenderse fuego o arruinarse.

HORNOS AUTO-LIMPIANTES

- ☐ **No limpie la junta selladora de la puerta.** La junta de la puerta es esencial para lograr que el horno quede bien sellado. Se debe tener cuidado de no frotar, dañar o mover la junta.

- ★ **Nunca tenga aves mascota en la cocina.** Las aves son extremadamente sensibles a las emanaciones gaseosas que se producen durante el ciclo de auto-limpieza del horno. Tales emanaciones pueden resultar dañinas o mortales para las aves. Lleve las aves a una habitación bien ventilada.

Aplique el ciclo de auto-limpieza únicamente a las piezas enumeradas en este manual. Antes de la auto-limpieza del horno, quite la partición, parrillas, utensilios y alimentos.

Antes de hacer funcionar el ciclo de auto-limpieza, limpie la grasa y los restos de comida del horno. Una cantidad excesiva de grasa podría prenderse fuego, generando daño por humo en su hogar.

- ★ No use ningún producto limpiador de hornos ni revestimiento protector dentro del horno ni sobre sus superficies exteriores. Use solo un producto de limpieza para superficies de cocción cerámicas.

Retire los estantes niquelados del horno antes de comenzar el ciclo de auto-limpieza, de lo contrario pueden sufrir alteraciones de color.

Si el ciclo de auto-limpieza funciona mal, apague el horno y desconecte la alimentación eléctrica. Hágalo reparar por un técnico calificado.

Los derrames excesivos deben eliminarse antes de la limpieza.

CAMPANAS DE VENTILACIÓN

- ★ **Limpie con frecuencia las campanas de ventilación.** No deje que se acumule grasa en la campana o el filtro.

Cuando flambee alimentos debajo de la campana, encienda el ventilador.

SUPERFICIES DE COCCIÓN VITRO-CERÁMICAS

- ☐ **NO TOQUE LAS UNIDADES DE SUPERFICIE NI LAS ÁREAS CERCANAS A LAS UNIDADES.**

Las unidades de superficie pueden estar calientes aun cuando su color sea oscuro. Las áreas cercanas a las unidades de superficie pueden calentarse lo suficiente como para producir quemaduras. Durante y después del uso, no toque las unidades de superficie ni las áreas cercanas ni tampoco permita que sus ropas ni otros materiales inflamables entren en contacto con ellas hasta que haya transcurrido tiempo suficiente como para que se enfríen. Entre estas áreas se cuentan la cubierta y su revestimiento.

No cocine sobre una cubierta quebrada. Si la cubierta se quebrase, las soluciones de limpieza y sustancias derramadas podrían penetrar la cubierta quebrada y generar riesgos de descarga eléctrica. Inmediatamente llame a un técnico calificado.

- ★ **Limpie la cubierta con precaución.** Si utiliza una esponja o paño húmedo para limpiar derrames en una superficie de cocción caliente, cuídese de posibles quemaduras por vapor. Algunos productos de limpieza pueden producir emanaciones nocivas si se aplican sobre una superficie caliente.



ADVERTENCIAS FUNDAMENTALES PARA LA INSTALACIÓN

- ★ La instalación de este electrodoméstico debe estar a cargo de un técnico o una compañía de servicio calificados.
 - Si la estufa no es instalada por un técnico calificado, pueden producirse descargas eléctricas, un incendio, una explosión, problemas con el producto o lesiones.

Desempaque el horno, retire todo el material de empaque y examine el horno para determinar si hay daños tales como abolladuras en el interior o exterior del electrodoméstico, pestillos de la puerta rotos, rajaduras en la puerta o una puerta que no esté correctamente alineada. Si hay algún daño, no instale ni ponga el horno en funcionamiento y notifique de inmediato al distribuidor.

Enchufe el cable de alimentación en un tomacorriente conectado a tierra con la configuración adecuada. Su horno debe ser el único elemento conectado en este circuito.

Mantenga todos los materiales de embalaje fuera del alcance de los niños. Podrían utilizarlos para jugar y lastimarse.

Instale el electrodoméstico en un piso nivelado y resistente que pueda soportar el peso.

- No hacerlo puede provocar vibraciones anormales, ruidos o problemas con el producto.



Este electrodoméstico debe conectarse a tierra correctamente.

No conecte el aparato a una tubería de gas, una tubería plástica de agua o un cable de teléfono.

- Esto puede provocar descargas eléctricas, un incendio, una explosión o problemas con el producto.

No corte ni retire el pin de conexión a tierra del cable de alimentación bajo ninguna circunstancia.

Conecte el horno a un circuito que proporcione el amperaje correcto.



No instale este electrodoméstico en un lugar húmedo, engrasado o cubierto de polvo, ni en un lugar expuesto a la luz solar directa o al agua (gotas de lluvia).

- Se puede producir una descarga eléctrica o un incendio.

No utilice un cable de alimentación dañado ni un tomacorriente de pared flojo.

- Se puede producir una descarga eléctrica o un incendio.

No jale ni doble excesivamente el cable de alimentación.

No retuerza ni ate el cable de alimentación.

No enganche el cable de alimentación de un objeto metálico, ni coloque un objeto pesado sobre el cable de alimentación, ni introduzca el cable de alimentación entre objetos.

- Se puede producir una descarga eléctrica o un incendio.



Si se daña el cable de alimentación, comuníquese con el centro de servicio técnico más cercano.



ADVERTENCIAS FUNDAMENTALES PARA EL USO



Si el electrodoméstico se inunda con cualquier líquido, comuníquese con el centro de servicios más cercano: No hacerlo puede provocar descarga eléctrica o incendio.

Si el electrodoméstico produce un ruido extraño, olor a quemado o humo, desenchufe de inmediato la alimentación y comuníquese con el centro de servicio técnico más cercano.

- No hacerlo puede provocar una descarga eléctrica o un incendio.

En caso de producirse una fuga de gas (como gas propano, gas LP, etc.), ventile el área de inmediato. No toque el cable de alimentación. No toque el electrodoméstico.

- Una chispa puede causar una explosión o un incendio.

- ★ Tenga cuidado de no entrar en contacto con la puerta del horno, los elementos calentadores o cualquier otra pieza caliente con su cuerpo mientras cocina o justo después de cocinar.

- No hacerlo puede provocar quemaduras.

Si los materiales en el interior del horno se prendieran fuego, mantenga la puerta cerrada, apague el horno y desconecte el cable de alimentación o corte la alimentación en el panel del disyuntor o fusible. Si abre la puerta, el fuego puede expandirse.

Siempre respete las precauciones de seguridad cuando utilice su horno. Nunca intente reparar el horno: contiene voltaje peligroso en el interior. Si se debe reparar el horno, comuníquese con un centro de servicio técnico autorizado cercano.

Si utiliza el electrodoméstico cuando está contaminado por sustancias extrañas como, por ejemplo, restos de comida, pueden surgir problemas en el equipo.

Tenga cuidado al quitar el envoltorio cuando retira comida del electrodoméstico.

- Si la comida está caliente, puede salir vapor caliente cuando retira el envoltorio y esto puede provocar quemaduras.

- ☐ No intente reparar, desarmar ni modificar el electrodoméstico.

- Dado que una corriente de alta tensión ingresa en el chasis del producto, se puede provocar una descarga eléctrica o un incendio.

- Cuando sea necesaria una reparación, comuníquese con el centro de servicio técnico más cercano.

- ☑ Si alguna sustancia extraña como, por ejemplo, agua ingresa en el electrodoméstico, comuníquese con el centro de servicio técnico más cercano.

- No hacerlo puede provocar una descarga eléctrica o un incendio.

- ☐ No toque el cable de alimentación con las manos húmedas.

- Se puede producir una descarga eléctrica.

No apague el electrodoméstico cuando hay una operación en progreso.

- Esto puede provocar chispas y causar una descarga eléctrica o un incendio.

Mantenga todos los materiales de embalaje fuera del alcance de los niños, ya que pueden ser peligrosos para ellos.

- Si un niño se coloca una bolsa de plástico en la cabeza, puede asfixiarse.

No deje que los niños ni ninguna persona con capacidades físicas, sensoriales o mentales reducidas utilice el electrodoméstico sin supervisión.

Asegúrese de que los controles del electrodoméstico y las áreas de cocción estén fuera del alcance de los niños.

- No hacerlo puede provocar una descarga eléctrica, quemaduras o lesiones.

No toque el interior del electrodoméstico inmediatamente después de cocinar. El interior del electrodoméstico estará caliente.

- No hacerlo puede provocar quemaduras.

No utilice ni coloque objetos ni aerosoles inflamables cerca del horno.

- Los elementos inflamables o aerosoles pueden causar incendios o una explosión.

- ❑ No introduzca los dedos, sustancias extrañas ni objetos metálicos como alfileres o agujas en las entradas, tomacorrientes u orificios. Si se introducen sustancias extrañas en alguno de estos orificios, comuníquese con el distribuidor del producto o con el centro de servicio técnico más cercano.

No altere ni haga ajustes ni reparaciones en la puerta. Bajo ninguna circunstancia debe quitar la puerta o la coraza externa del horno.

No almacene ni utilice el horno al aire libre.

Nunca use este electrodoméstico con otros fines que no sean cocinar.

- El uso de este electrodoméstico para otro fin que no sea cocinar puede provocar un incendio.

Abra la tapa o el tapón de recipientes sellados (botellas de té tónico de hierbas, mamaderas, botellas de leche, etc.) antes de calentarlos. Haga un orificio en alimentos que tiene cáscaras (huevos, castañas, etc.) con un cuchillo, antes de cocinarlos.

- No hacerlo puede provocar quemaduras o lesiones.

Nunca caliente en recipientes de plástico ni papel y no los utilice para cocinar.

- No hacerlo puede provocar un incendio.

No caliente comida envuelta en papel de revistas, periódicos, etc.

- Se puede provocar un incendio.

No abra la puerta si los alimentos en el horno se están quemando.

- Si abre la puerta, se provoca una entrada de oxígeno que puede causar que los alimentos se enciendan.

No aplique presión excesiva a la puerta o al interior del electrodoméstico. No golpee la puerta o la parte interior del electrodoméstico.

- Colgarse de la puerta puede provocar fallas en el producto y causar lesiones graves.
- Si la puerta está dañada, no use el electrodoméstico. Comuníquese con un centro de servicios.

No sostenga alimentos con los manos durante o inmediatamente después de cocinar.

- Use guantes de cocina. Los alimentos pueden estar muy calientes y podría quemarse.
- Use guantes o guantes de cocina, ya que la manija y las superficies del horno pueden estar lo suficientemente calientes como para causar quemaduras luego de cocinar.



PRECAUCIONES PARA EL USO

Si la superficie está rajada, apague el electrodoméstico.

- No hacerlo puede provocar una descarga eléctrica.

La vajilla y los envases pueden calentarse. Manipúlelos con cuidado.

Los alimentos calientes y el vapor pueden provocar quemaduras. Retire cuidadosamente las tapas de los envases, dirigiendo el vapor lejos de las manos y la cara.

Retire las tapas de los frascos de limentos para bebé antes de calentarlos. Después de calentar los alimentos para bebé, revuelva bien para distribuir el calor en forma pareja. Siempre pruebe los alimentos para corroborar la temperatura antes de alimentar al bebé. Los frascos de vidrio o la superficie de los alimentos pueden parecer más fríos que el interior, el cual puede estar lo suficientemente caliente como para quemar la boca de un niño.

Tenga cuidado dado que las bebidas o los alimentos pueden estar muy calientes después de calentarlos.

- Especialmente cuando alimenta a un niño. Compruebe que se enfrió lo suficiente.

Tenga cuidado al calentar líquidos como, por ejemplo, agua u otras bebidas.

- Asegúrese de revolver durante o después de cocinar.
- Evite utilizar un recipiente resbaladizo con cuello angosto.
- Después de calentar un líquido, espere al menos 30 segundos antes de retirarlo.
- No hacerlo puede provocar un derrame súbito del contenido y causar quemaduras.

No se pare sobre el electrodoméstico ni coloque sobre él objetos (como ropa sucia, fundas para hornos, velas encendidas, cigarrillos encendidos, platos, productos químicos, objetos metálicos, etc.).

- Artículos como trapos de cocina pueden quedar enganchados en la puerta.
- Se pueden producir descargas eléctricas, un incendio, problemas con el producto o lesiones.

No haga funcionar el aparato con las manos húmedas.

- Se puede producir una descarga eléctrica.

No rocíe sustancias volátiles como insecticidas en la superficie del electrodoméstico.

- Además de ser perjudiciales para las personas, pueden producirse descargas eléctricas, un incendio o problemas con el producto.

No acerque el rostro ni el cuerpo al electrodoméstico mientras está cocinando o al abrir la puerta del horno inmediatamente después de la cocción.

- Asegúrese de que los niños no se acerquen demasiado al electrodoméstico.
- No hacerlo puede provocar quemaduras a los niños.

- ☐ No coloque alimentos ni objetos pesados sobre el borde de la puerta del horno.
 - Si abre la puerta, los alimentos o el objeto podrían caerse y provocar quemaduras o lesiones.

No enfríe abruptamente la puerta, el interior del electrodoméstico ni el plato vertiendo agua sobre estas partes durante o después de la cocción.

- Esto puede provocar daños en el electrodoméstico. El vapor o el rocío de agua pueden provocar quemaduras o lesiones.

No haga funcionar el horno mientras está vacío excepto para auto-limpieza.

No use el horno o la cubierta para descongelar bebidas congeladas en botellas de cuello angosto. Los envases pueden romperse.

No raye el vidrio de la puerta del horno con un objeto puntiagudo.

- Esto puede provocar que el vidrio se dañe o se rompa.

No almacene nada directamente encima del electrodoméstico cuando está en funcionamiento.

No utilice recipientes sellados. Quiteles los sellos y las tapas antes de cocinar. Los recipientes sellados pueden explotar debido a la acumulación de presión incluso después de que el horno se ha apagado.

Tenga cuidado de que los alimentos que está cocinando en el horno no entren en contacto con el elemento calentador.

- Se puede provocar un incendio.

No caliente los alimentos en exceso.

- El sobrecalentamiento de los alimentos puede provocar un incendio.



ADVERTENCIAS FUNDAMENTALES PARA LA LIMPIEZA

- ★ No rocíe agua directamente sobre el electrodoméstico para limpiarlo.

No utilice benceno, diluyente ni alcohol para limpiar el electrodoméstico.

 - Esto puede provocar decoloración, deformación, daños, descargas eléctricas o un incendio.

Tenga cuidado de no lastimarse cuando limpia el electrodoméstico (exterior/interior)

- Puede lastimarse con los bordes filosos del electrodoméstico.

No limpie el electrodoméstico con un limpiador a vapor.

- Esto puede provocar corrosión.

Mantenga limpia la parte interna del horno. Las partículas de alimentos o los aceites salpicados que se adhieren a las paredes o al piso pueden causar daños en la pintura y reducir la eficiencia del horno.

instalación del horno

ACERCA DE ESTA SECCIÓN

LEA ESTAS INSTRUCCIONES EN SU TOTALIDAD Y CUIDADOSAMENTE.

Nota importante para el instalador

- Lea todas las instrucciones contenidas en este manual antes de instalar la estufa.
- Retire de la estufa todos los materiales de empaque de los compartimientos del horno antes de conectar la alimentación eléctrica a la estufa.
- Cumpla todos los códigos y ordenanzas exigidos por las autoridades pertinentes.
- Asegúrese de dejar estas instrucciones con el usuario final.

Nota importante para el usuario final

Guarde estas instrucciones para que puedan ser consultadas por el inspector del servicio eléctrico de su localidad.

- Como con cualquier electrodoméstico que genera calor, existen ciertas precauciones de seguridad que se deben cumplir.
- Asegúrese de que su electrodoméstico sea correctamente instalado y conectado a tierra por un técnico calificado.
- Asegúrese de que los revestimientos de las paredes alrededor de la estufa pueden soportar el calor que ésta genera.
- Para eliminar la necesidad de alcanzar objetos por encima de los elementos de la superficie, evite tener gabinetes de almacenamiento sobre la cubierta.
- La estufa no debe colocarse sobre una base.

PARA SU SEGURIDAD



ADVERTENCIA Si la información de este manual no es seguida con exactitud, se podrían producir incendios o descargas eléctricas causantes de daños a la propiedad, lesiones personales, o la muerte.



ADVERTENCIA Antes de comenzar la instalación, corte la alimentación eléctrica desde el panel de servicio y cierre con llave el interruptor de desconexión del servicio para evitar que la corriente eléctrica sea conectada accidentalmente. Si resulta imposible cerrar con llave el interruptor de desconexión del servicio, fije en forma segura sobre el panel de servicio alguna forma muy notoria de advertencia, tal como un cartel o marbete.

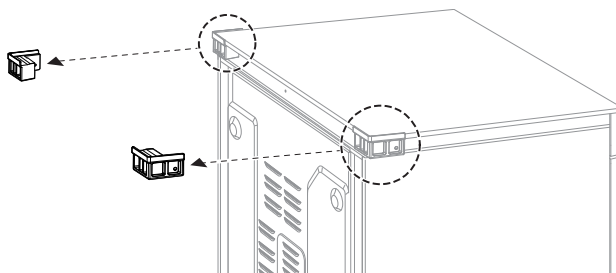


ADVERTENCIA Este electrodoméstico debe conectarse debidamente a tierra.

preparación para instalar la estufa

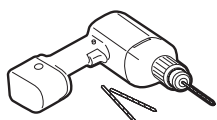
QUITE EL EMPAQUE

Retire el material de empaque. Retire el marco de apoyo de la parte trasera del vidrio de la cubierta. No retirar los materiales de empaque podría causar daños al electrodoméstico.



PREPARE LAS HERRAMIENTAS Y LAS PIEZAS

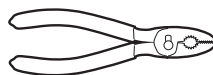
Las herramientas que necesitará



Taladro



Llave ajustable



Pinzas



Destornillador de caja para tuercas de 1/4"



Destornillador Phillips



Destornillador plano



Lápiz

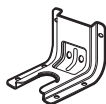


Nivel

Elementos incluidos con su estufa



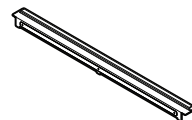
Plantilla



Ménsula anti inclinación



Tornillos
(cortos: 2, largos: 2)



Kit de relleno y tornillos
(3 de c/u)

Materiales adicionales que puede necesitar



Cable de 4 conductores o cable de 3 conductores
(de 40 o 50 AMP, aprobados por United Laboratories, Inc. ("UL"))



Sujetador de cables con amortiguador de esfuerzo
(únicamente para instalación con conducto)

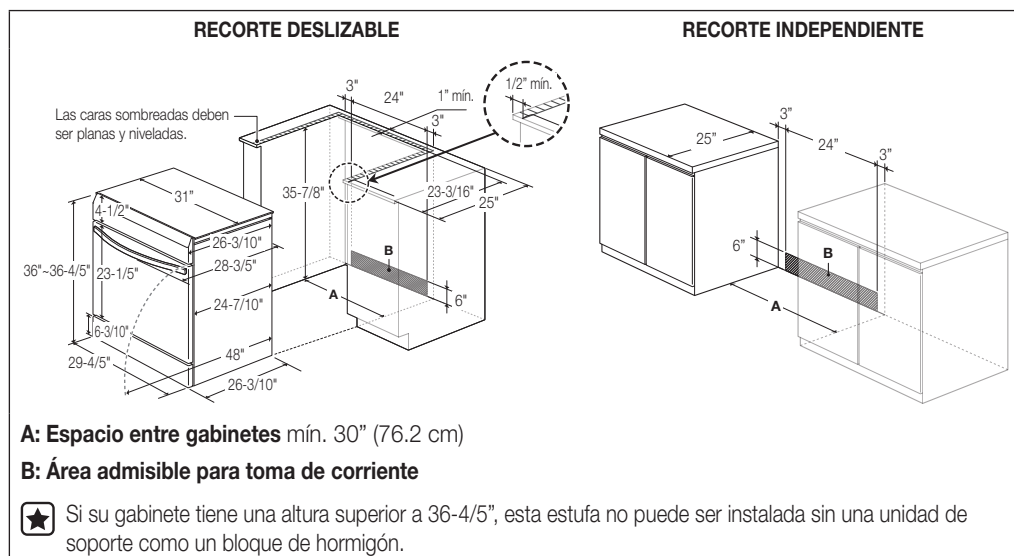
CONTROL DEL SITIO DE INSTALACIÓN

Distancias, espacios libres y dimensiones

Para instalar la estufa, observe la figura a continuación.



PRECAUCIÓN Esta estufa ha sido diseñada para cumplir con la temperatura máxima admisible para gabinetes de madera de 194 °F. Asegúrese de que los revestimientos de paredes, superficies de mesada y gabinetes alrededor de la estufa puedan soportar el calor (hasta 194 °F) generado por la estufa. De lo contrario, se podrían producir alteraciones de color, deslaminación o derretimiento.



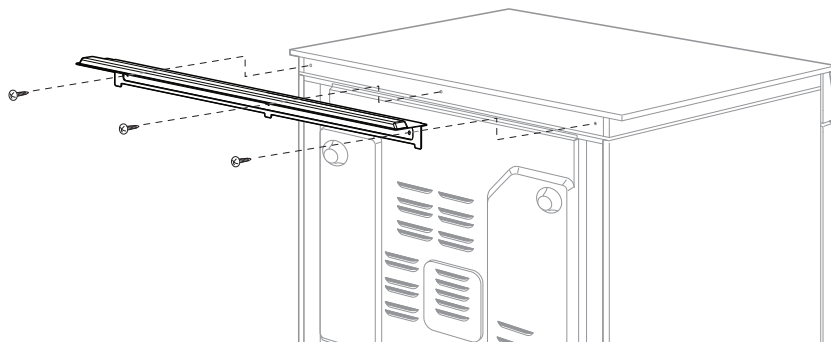
PRECAUCIÓN Debe usar el kit de relleno trasero para instalar la estufa en un gabinete de recorte independiente. Para obtener más información, consulte "Kit de relleno trasero opcional" que se muestra a continuación.

Kit de relleno trasero opcional

Se usa para llenar el espacio entre la parte trasera de la estufa y la pared. Agrega una tira de relleno a la parte trasera de la estufa. Este kit solo puede usarse cuando la abertura en la mesada tiene una profundidad de 25 pulgadas.

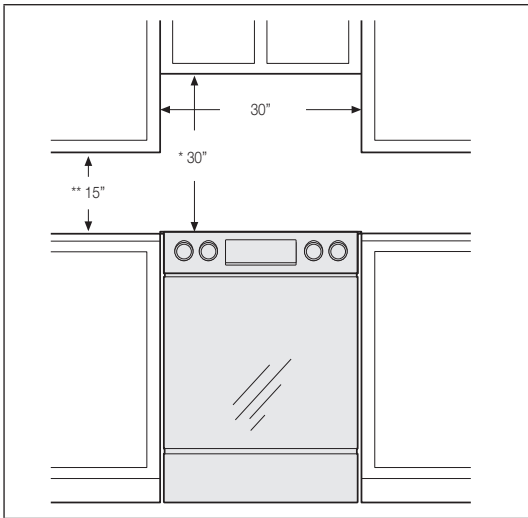


Si la profundidad de la mesada es mayor a 25 pulgadas, habrá un espacio entre el kit de relleno y la pared trasera.



Dimensiones mínimas

★ IMPORTANTE Para eliminar el riesgo de quemaduras o de incendio causado por alcanzar elementos por encima de las unidades de superficie calientes, evite colocar gabinetes de almacenamiento arriba de las unidades de superficie. Si tiene gabinetes de almacenamiento sobre los elementos calentadores, puede reducir el riesgo instalando una campana para estufas que sobresalga horizontalmente como mínimo 5 pulgadas con respecto al extremo inferior de los gabinetes.



- * Separación mínima de 30 pulgadas entre el extremo superior de la superficie de cocción y el extremo inferior de un gabinete de madera o metal no protegido; o mínima de 24 pulgadas cuando el extremo inferior del gabinete de madera o metal está protegido por un tablero ignífugo de un mínimo de 1/4 pulgadas cubierto con una lámina de acero Nro. 28, como mínimo, 0.015" de acero inoxidable, 0.024" de aluminio o 0.020" de cobre.
- ** 15" como mínimo entre la superficie de la mesada y la parte inferior del gabinete más cercano.

cómo conectar la corriente eléctrica

PASO 1. CUMPLIMIENTO DE LOS REQUISITOS DE CONEXIÓN ELÉCTRICA



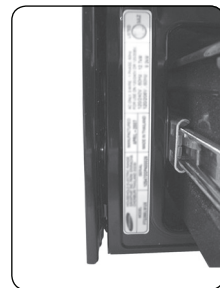
PRECAUCIÓN Para seguridad de las personas, no utilice cables prolongadores con este electrodoméstico. Quite el fusible de su casa o corte la electricidad con el disyuntor antes de comenzar la instalación.

Este electrodoméstico debe ser alimentado con el voltaje y la frecuencia correctos, y debe conectarse a un ramal de circuito individual correctamente conectado a tierra y protegido con un disyuntor o fusible cuyo amperaje debe concordar con lo establecido en la placa de especificaciones. La placa de especificaciones se encuentra ubicada arriba del cajón en el marco del horno. **(Fig. 1 o Fig. 2)**

Le recomendamos que el cableado y la conexión de su estufa sean realizados por un electricista calificado. Luego de la instalación, solicítele al electricista que le muestre dónde se encuentra el principal dispositivo de desconexión de su estufa.

Verifique con su empresa local de servicio eléctrico los códigos eléctricos vigentes en su área. Si el cableado de su horno no se hace de acuerdo con los códigos en vigencia se podrían generar condiciones peligrosas. Si no hay códigos locales, su estufa debe ser cableada y equipada con fusibles que cumplan los requisitos del National Electrical Code, ANSI/NFPA No. 70–Latest Edition. Para obtener una copia, escriba a:

National Fire Protection Association
Batterymarch Park
Quincy, MA 02269



(Fig. 1)



(Fig. 2)

Con vigencia a partir del 1 de enero de 1996, el National Electrical Code (Código Eléctrico Nacional) exige que en las construcciones nuevas (no existentes en ese momento) para estufas de cocina se utilicen conexiones de cuatro conductores.

Cuando instale una estufa eléctrica en una construcción nueva, siga los Pasos 2 y 3 para conexión de 4 conductores.

Debe usar un sistema eléctrico de 3 o 4 conductores, monofásico, A.C. 208Y / 120 voltios o 240 / 120 voltios, 60 hertz. Si el servicio eléctrico provisto no cumple con las especificaciones anteriores, haga que un electricista con licencia le instale un tomacorriente aprobado.

Utilice únicamente un cable para estufas de 3 o 4 conductores incluido en las listas de UL. Estos cables pueden venir con terminales de aro y un dispositivo de sujeción con amortiguador de esfuerzo.

Se requiere un cable para estufas apto para 40 amps. con un rango de voltaje mínimo de 125 / 250 voltios.

No se recomienda el uso de cables de 50 amps., pero si se lo utiliza debe estar marcado para uso con aberturas de conexión de 1 $\frac{3}{8}$ pulgadas de diámetro. Se debe prestar cuidado de centrar el cable y el sujetador con amortiguador de esfuerzo dentro del orificio de salida para evitar que el borde dañe el cable.

- Dado que las terminales no quedan accesibles una vez que la estufa está en posición, se debe usar conducto o cable flexible.



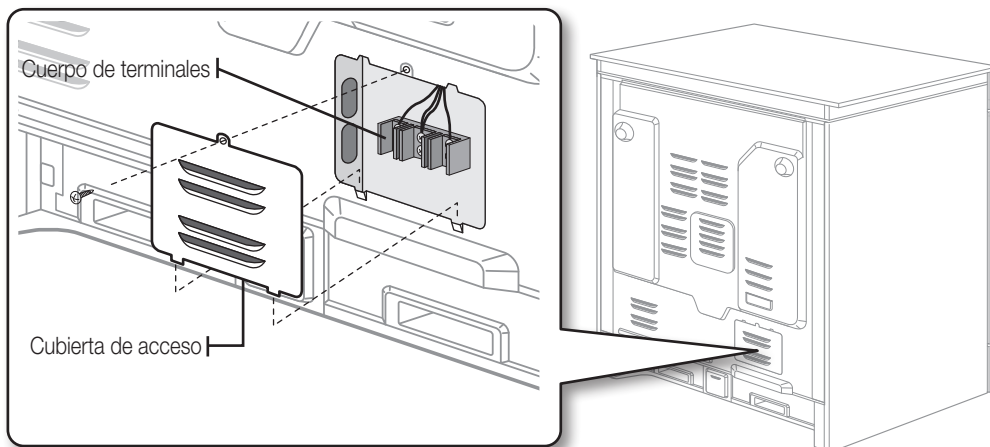
NOTA Si se utiliza un conducto, vaya al Paso 4 en la página 25.



TODAS LAS NUEVAS CONSTRUCCIONES DE CIRCUITOS RAMALES, CASAS RODANTES, VEHÍCULOS RECREATIVOS E INSTALACIONES DONDE LOS CÓDIGOS LOCALES NO PERMITEN LA CONEXIÓN A TIERRA MEDIANTE EL NEUTRO, REQUIEREN UN CABLE PARA ESTUFAS DE 4 CONDUCTORES INCLUIDOS EN LOS LISTADOS DE UL.

PASO 2. ACCESO A LA CONEXIÓN DEL CABLE DE ALIMENTACIÓN

Afloje y luego retire el tornillo de la cubierta de acceso posterior con un destornillador. Retire la cubierta de acceso posterior levantándola hacia arriba y luego hacia afuera. Habrá quedado abierto el acceso al cuerpo de terminales.



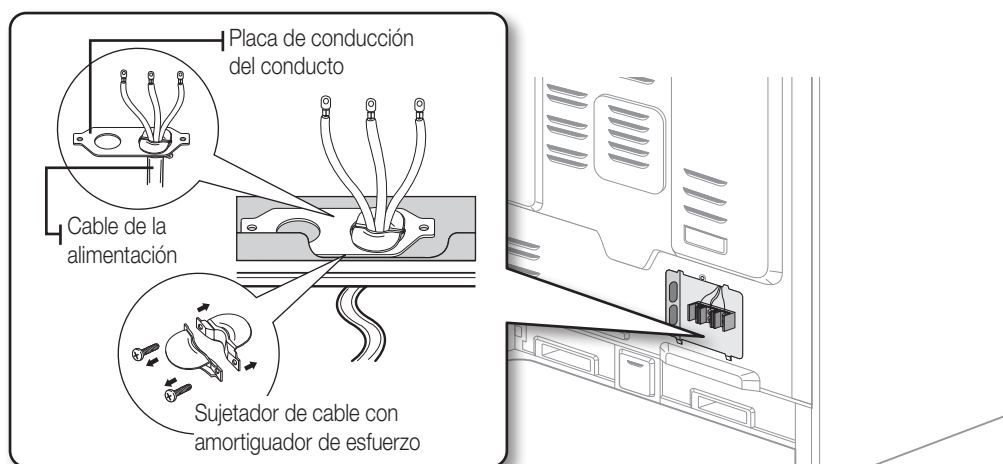
Especificaciones del kit de cable para alimentación eléctrica

Especificación de estufa, watts		Especificaciones del kit de cable para alimentación eléctrica, en amperes.	Diámetro (en pulgadas) de la abertura para conexión de la estufa	
120 / 240 voltios 3-conductores	120 / 208 voltios 3-conductores		Cable de la alimentación	Conducto
8750 - 16500	7801 - 12500	40 o 50 A	1 ³ / ₈ "	1 ¹ / ₈ "

Las instalaciones del cable de alimentación se explican en la página 23. Las instalaciones de los conductos se explican en la página 25.

PASO 3. INSTALACIÓN DEL CABLE DE ALIMENTACIÓN

Cuando se realicen instalaciones de cables de alimentación, enganche el sujetador de cables con amortiguador de esfuerzo sobre el orificio del cable de alimentación ($1\frac{3}{8}$ ") ubicado debajo de la parte trasera del cuerpo del cajón. Inserte el cable de alimentación atravesando el sujetador-amortiguador y ajuste el dispositivo.



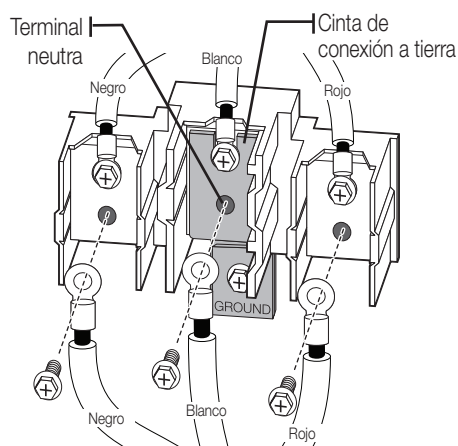
- **El cable de alimentación se debe instalar con un sujetador-amortiguador.**
- Fije el sujetador de cables con amortiguador de esfuerzo a la abertura de $1\frac{3}{8}$ pulgadas en la placa de conexión del conducto.

Instalación de un cable de alimentación de 3 conductores



ADVERTENCIA El conductor neutral o de tierra del cable de alimentación debe conectarse a la terminal neutra ubicada en el centro del cuerpo de terminales. Los chicotes de cable que portan corriente deben conectarse a las terminales inferior izquierda e inferior derecha del cuerpo de terminales.

1. Retire los tornillos de las tres terminales inferiores del cuerpo de terminales.
2. Introduzca los 3 tornillos terminales a través de cada aro terminal del cable de alimentación y dentro de las terminales inferiores del cuerpo de terminales. Asegúrese de que el conductor central (blanco/neutro) sea conectado a la posición central inferior del cuerpo de terminales.
3. Ajuste los tornillos al cuerpo de terminales en forma segura. **NO retire la cinta de conexión a tierra.**
4. Vaya al **paso 5** en la página 26 para continuar con la instalación.

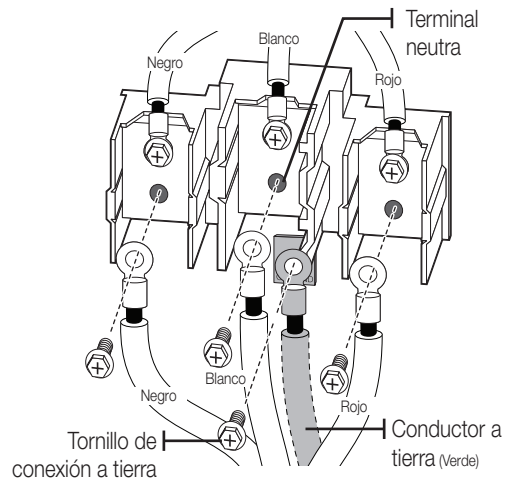
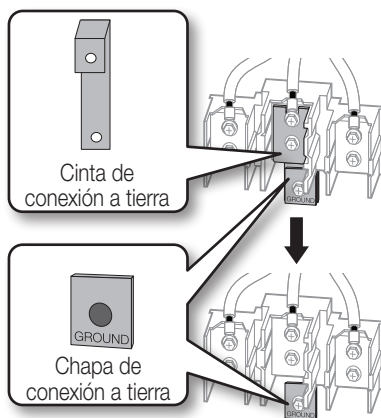


Instalación de un cable de alimentación de 4 conductores



ADVERTENCIA El conductor neutro del circuito de alimentación debe conectarse a la terminal neutra ubicada en la parte central inferior del cuerpo de terminales. Los chicotes de cable que portan corriente deben conectarse a las terminales inferior izquierda e inferior derecha del cuerpo de terminales. El cuarto chicote de conexión a tierra debe conectarse al marco de la estufa con la chapa y el tornillo de conexión a tierra.

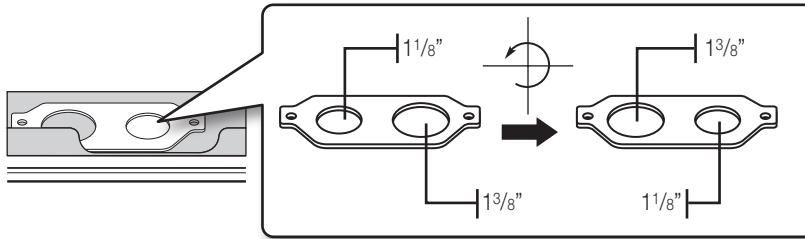
1. Retire los tornillos de las tres terminales inferiores del cuerpo de terminales. Retire el tornillo y la chapa de conexión a tierra y guárdelos.
2. **Corte y descarte la cinta de conexión a tierra. No descarte ningún tornillo.**
3. Introduzca el tornillo de tierra en la terminal de aro de tierra del cable de alimentación, a través de la chapa de conexión a tierra y dentro del marco de la estufa.
4. Introduzca los 3 tornillos terminales (retirados anteriormente) a través de cada aro terminal del cable de alimentación y dentro de las terminales inferiores del cuerpo de terminales. Asegúrese de que el conductor central (blanco/neutro) sea conectado a la posición central inferior del cuerpo de terminales. Ajuste los tornillos al cuerpo de terminales en forma segura.
5. Vaya al **paso 5** en la página 26 para continuar con la instalación.



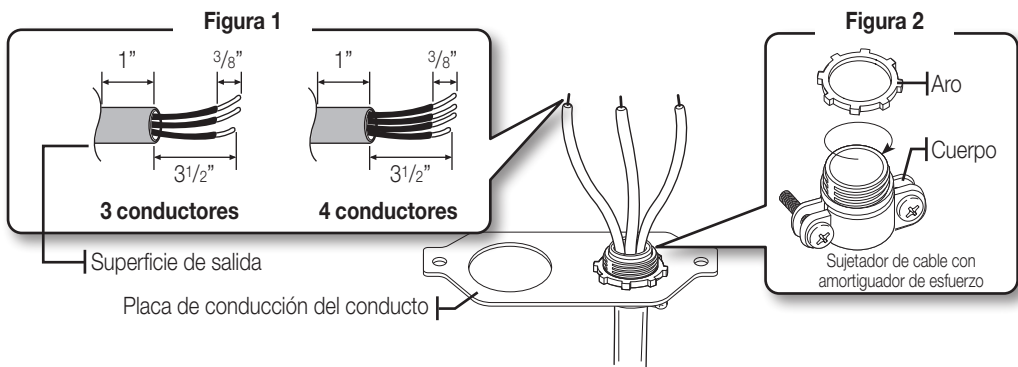
PASO 4. INSTALACIÓN DEL CONDUCTO

Retire la placa de conexión del conducto y rótelea como se muestra a continuación.

Se debe utilizar el orificio de conducto ($1\frac{1}{8}$ ").



1. Prepare el cable de conducto como se muestra en la Figura 1.
2. Instale el cable de conducto como se muestra en la Figura 2.

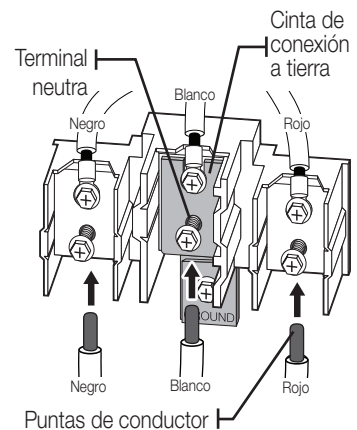


En el caso de instalaciones de conducto, introduzca el sujetador de cables con amortiguador de esfuerzo en el orificio del conducto ($1\frac{1}{8}$ "). Luego pase el cable de conducto a través del cuerpo del sujetador-amortiguador y ajuste el tornillo. Reinstale la placa.

Instalación de un conducto de tres conductores

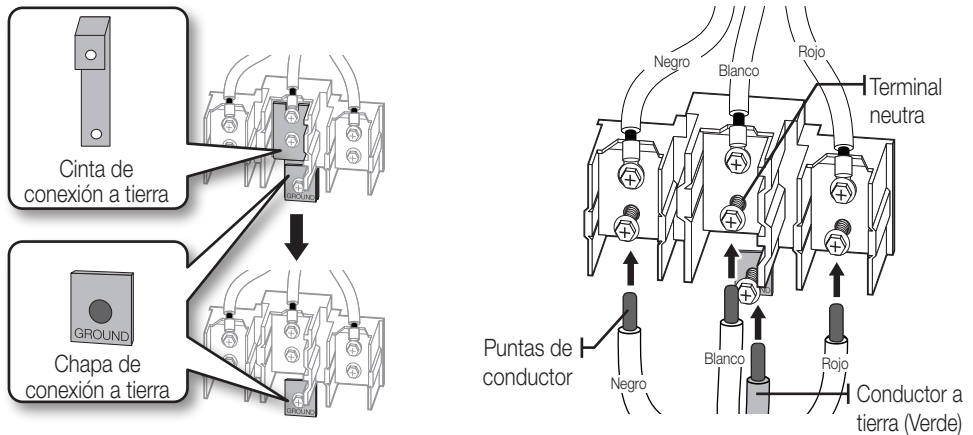
- Se puede utilizar alambre de construcción de aluminio pero debe estar graduado y aprobado para los amperajes y voltajes correcto. Conecte los conductores según se describe a continuación.
- El conductor utilizado, la ubicación y el encapsulamiento de uniones, etc. deben cumplir con las buenas prácticas de cableado y los códigos locales.

1. Afloje los tornillos de las 3 terminales inferiores del cuerpo de terminales.
2. Introduzca la punta desnuda del conductor central (blanco/neutro) a través de la abertura en la parte central inferior del cuerpo de terminales. En ciertos modelos, será necesario introducir el conductor a través de la abertura de la cinta de conexión a tierra y luego dentro de la abertura en la parte central inferior del cuerpo de terminales.
3. Introduzca las puntas desnudas de los dos conductores laterales en las aberturas inferior izquierda e inferior derecha del cuerpo de terminales.
4. Ajuste los tornillos hasta que los conductores queden firmemente anclados (35 a 50 pulgadas-libras de torque). No ajuste los tornillos en exceso porque esto podría dañar los conductores.
5. Vaya al **paso 5** en la página 26 para continuar con la instalación.



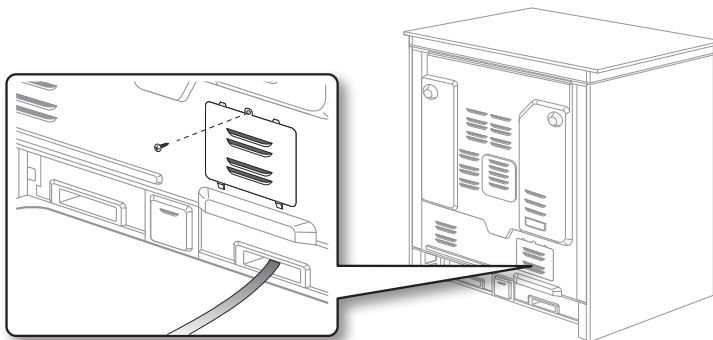
Instalación de un conducto de cuatro conductores

- Se puede utilizar alambre de construcción de aluminio pero debe estar graduado y aprobado para los amperajes y voltajes correctos para hacer la conexión. Conecte los conductores según se describe a continuación.
 - El conductor utilizado, la ubicación y el encapsulamiento de uniones, etc. deben cumplir con las buenas prácticas de cableado y los códigos locales.
1. Afloje los tornillos de las 3 terminales inferiores del cuerpo de terminales. Retire el tornillo y la chapa de conexión a tierra y guárdelos.
 2. **Corte y descarte la cinta de conexión a tierra. No descarte ningún tornillo.**
 3. Inserte la punta desnuda del conductor de tierra entre el marco de la estufa y la chapa de conexión a tierra (retirados anteriormente) y fíjelo en su lugar con el tornillo de conexión a tierra.
 4. Introduzca la punta desnuda del conductor (blanco/neutro) a través de la abertura en la parte central inferior del cuerpo de terminales.
 5. Introduzca las puntas desnudas de los dos conductores laterales en las aberturas inferior izquierda e inferior derecha del cuerpo de terminales.
 6. Ajuste los tornillos hasta que los conductores queden firmemente anclados (35 a 50 pulgadas-libras de torque). No ajuste los tornillos en exceso porque esto podría dañar los conductores.
 7. Vaya al **paso 5** a continuación y siga con la instalación.



PASO 5. COLOCACIÓN DE LA CUBIERTA DE ACCESO

Para volver a colocar la cubierta de acceso en la parte trasera de la estufa, inserte las dos pestañas de la parte trasera de la cubierta en las cavidades ubicadas debajo de la abertura y luego inserte y ajuste el tornillo de la cubierta de acceso trasera.



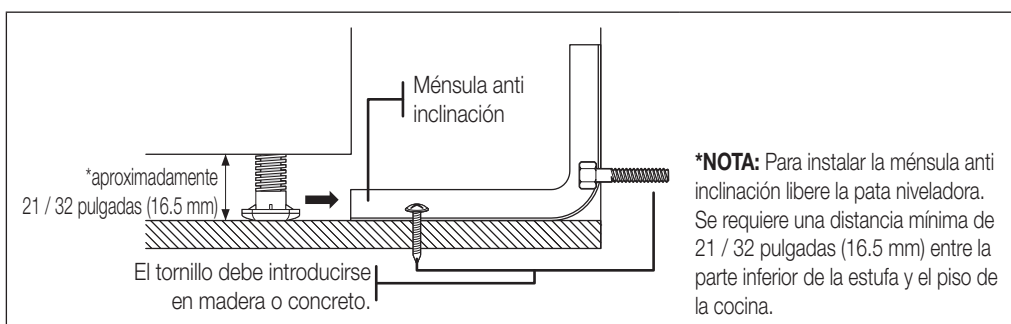
instalación de la estufa

INSTALACIÓN DEL DISPOSITIVO ANTI INCLINACIÓN



ADVERTENCIA Para reducir el riesgo de inclinaciones o vuelcos, debe sujetar el electrodoméstico instalando correctamente el dispositivo anti inclinación que viene empacado con la estufa.

- Remítase a las instrucciones de instalación incluidas con la ménsula.
- Si el dispositivo anti inclinación no está instalado correctamente, un adulto o niño que pise o se siente sobre la puerta de la estufa podría inclinarla y sufrir lesiones graves causadas por el derrame de líquidos calientes o por la estufa misma.

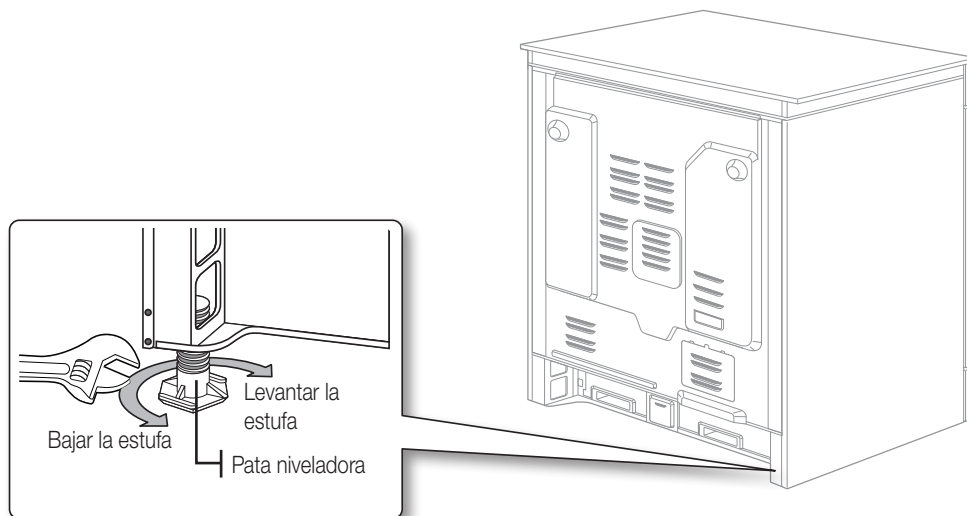


1. Instale la ménsula utilizando la plantilla.

La ménsula anti inclinación se encuentra empacada junto con una plantilla. Las instrucciones incluyen la información necesaria para completar la instalación. Lea y siga las instrucciones en la hoja (plantilla) para la instalación de la estufa.

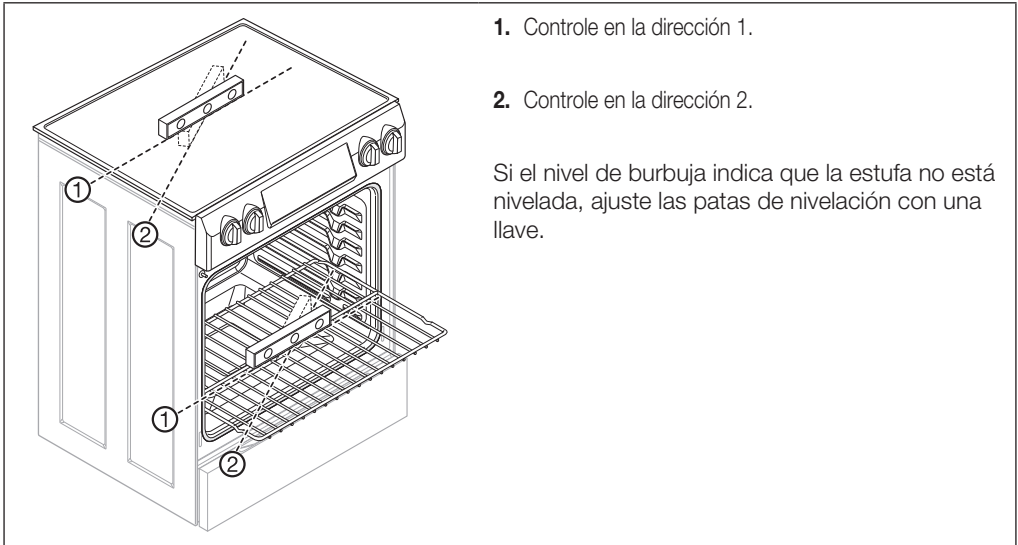
2. Nivelación de la estufa

Nivele la estufa ajustando las patas niveladoras con una llave.



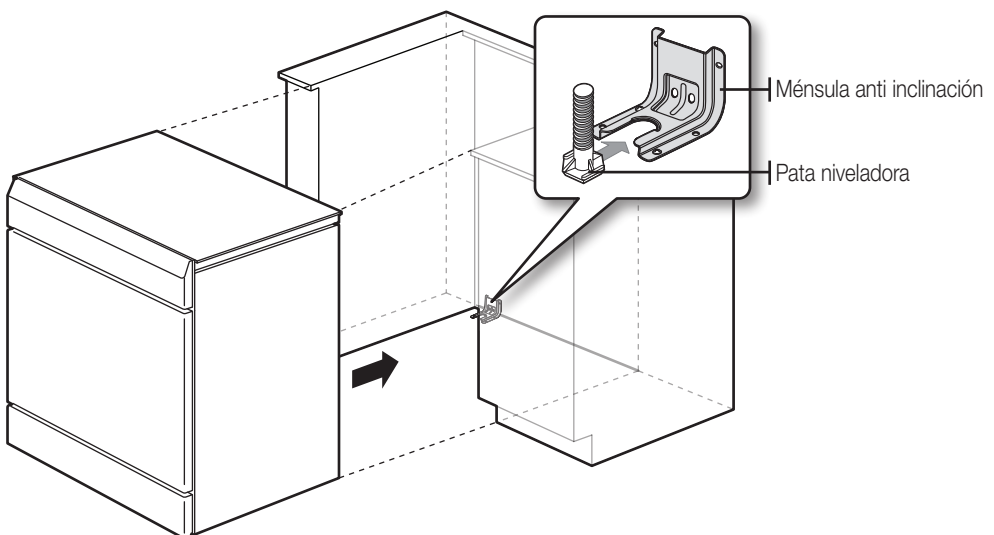
3. Controle sus ajustes

Utilice un nivel de burbuja de aire para controlar los ajustes. Coloque el nivel diagonalmente sobre la parrilla del horno o la superficie de cocción y confirme que la estufa está nivelada en las dos direcciones mostradas a continuación.



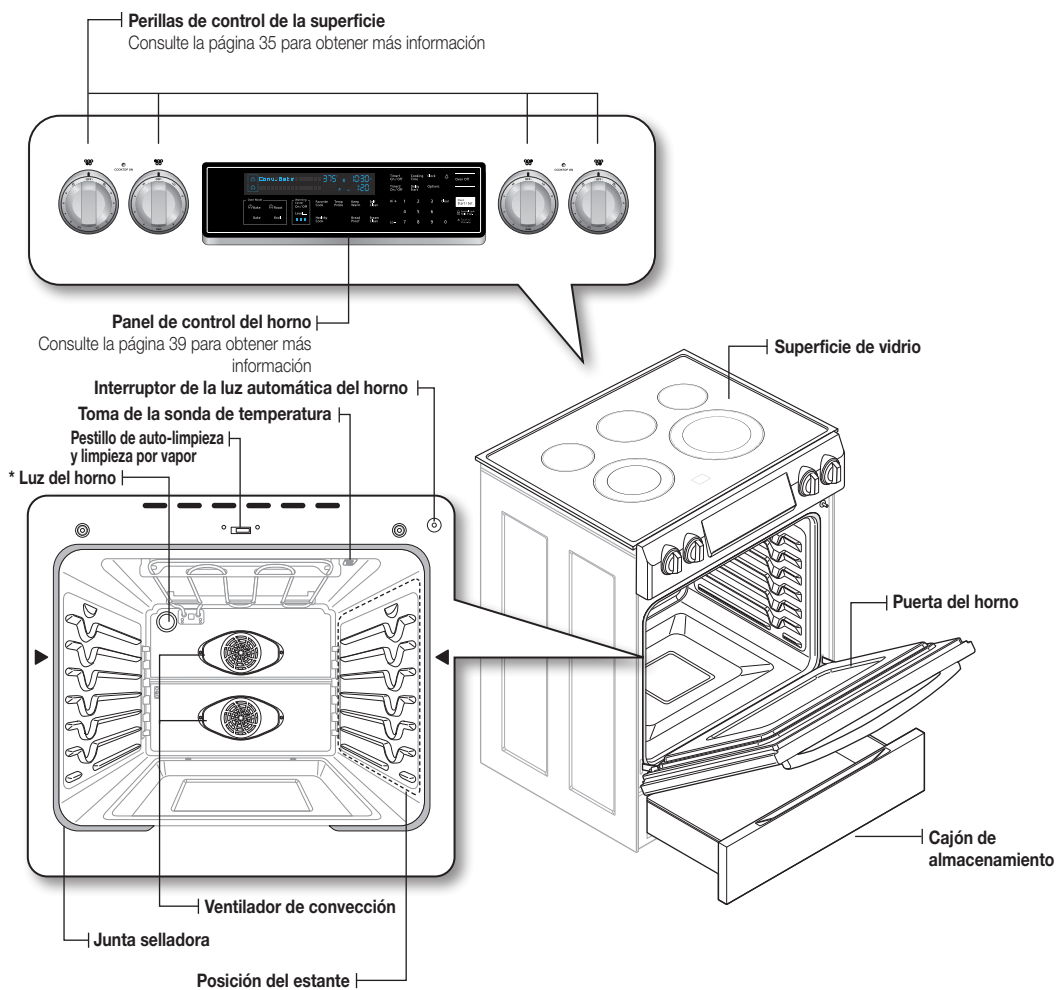
FINALIZACIÓN DE LA INSTALACIÓN

- Mueva la estufa lo suficientemente cerca de su lugar como para enchufar en el tomacorriente.
- Deslice la estufa a su posición, asegurándose de que la pata trasera izquierda (o trasera derecha) se deslice por debajo de la ménsula anti inclinación.
- Con cuidado, incline la estufa hacia adelante para verificar que la ménsula Anti Inclinación engancha al puntal trasero e imposibilita el vuelco.
- Encienda la corriente eléctrica. Controle el funcionamiento correcto de la estufa tal como se describe en el manual del usuario.

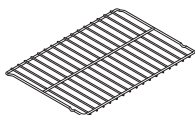


introducción a su nueva estufa

DESCRIPCIÓN GENERAL



ELEMENTOS INCLUIDOS CON SU ESTUFA



* Estantes de alambre (2)



* Parrilla ahuecada (1)



* Sonda de temperatura (1)

Si necesita un accesorio marcado con un *, puede adquirirlo en el Centro de contacto de Samsung (1-800-726-7864).

antes de comenzar

Limpie el horno a fondo antes de utilizarlo por primera vez. Retire los accesorios, programe el horno para hornear y luego haga funcionar el horno a 400 °F durante una hora antes de usarlo. Se notará un olor característico. Esto es normal. Asegúrese de que su cocina se encuentre bien ventilada durante el período de acondicionamiento.

primeros pasos

AJUSTE DEL RELOJ

El **reloj** debe ajustarse para mostrar la hora correcta para permitir el buen funcionamiento de las opciones de temporizador del horno.

- La hora del día no se puede cambiar mientras estén en proceso una cocción regida por el temporizador, una cocción temporizada diferida o un ciclo de auto-limpieza.
- Se puede optar entre mostrar un ciclo de 12 horas o de 24 horas. La configuración predeterminada es de 12 horas.

Cómo ajustar el reloj

1. Comience el proceso de ajuste.
Presione **Clock (Reloj)**.
2. Presione **Clock (Reloj)** para seleccionar AM o PM. (Omita este paso en la visualización de 24 horas).
3. Ingrese la hora del momento en horas y minutos en el teclado numérico. Por ejemplo: 1, 3, 0 para 1:30.
4. Presione **Clock (Reloj)** o **Oven Start/Set (Inicio/Configurar horno)** para guardar los cambios.

MODOS DE PANTALLA DEL PANEL DE CONTROL

Modo de reposo

El panel de control permanecerá en modo de reposo cuando no esté en uso. Solo se mostrará el reloj. Deberá activar el panel de control para iniciar cualquier función.



Modo de actividad

Para activar el panel de control, toque la tecla de activación. Después de 2 minutos de inactividad (o un minuto cuando el horno está funcionando en modo de espera), el panel de control regresará al modo de reposo. En este modo están disponibles las preferencias de usuario así como los temporizadores, la luz del horno y el bloqueo de los controles.

CÓMO ENCENDER Y APAGAR LA LUZ DEL HORNO

- La luz del horno se enciende automáticamente cuando se abre la puerta.
- La luz del horno se apaga automáticamente cuando se cierra la puerta.
- La luz del horno se puede encender y apagar manualmente presionando **Luz del horno**.

TRABA DE CONTROLES

La traba de controles permite trabar los botones del panel táctil de modo que no puedan activarse accidentalmente.

La traba de controles solo se activa en modo de espera.

Cómo activar la función de traba de controles

1. Presione **Control Lock Hold 3 Sec. (Bloquear controles mantener 3 seg.)** durante 3 segundos.

La pantalla indicará "Loc" y aparecerá continuamente el icono de bloqueo al igual que la hora actual.

Se deben cancelar todas las funciones antes de activar la traba de controles.

Esta función solo está disponible si la temperatura del horno es inferior a 400 °F.

Cómo destrabar los controles

1. Presione **Control Lock Hold 3 Sec. (Bloquear controles mantener 3 seg.)** durante 3 segundos.

"Loc" y el icono de la cerradura desaparecerán de la pantalla.

CÓMO PROGRAMAR EL TEMPORIZADOR DE COCINA

El temporizador cuenta regresivamente y emitirá una señal sonora una vez transcurrido el tiempo establecido. No inicia ni detiene las funciones de cocción. Puede usar el temporizador de cocina con cualquiera de las otras funciones del horno.

Cómo programar el temporizador

1. Encienda el temporizador.

Presione **Timer1 On/Off (Activar/Desactivar temporizador 1) (Timer2 On/Off (Activar/Desactivar temporizador 2))**.

2. Ingrese el tiempo que desea.

Ingrese el tiempo que desea mediante las teclas numéricas, por ejemplo 1, 5. El temporizador puede configurarse para cualquier cantidad de tiempo, desde 1 minuto hasta 9 horas y 99 minutos. Si comete un error, presione **Clear (Eliminar)** e ingrese la cantidad de tiempo nuevamente.

3. Active el temporizador.

Presione **Timer1 On/Off (Activar/Desactivar temporizador 1) (Timer2 On/Off (Activar/Desactivar temporizador 2))** o **Oven Start/Set (Inicio/Configurar horno)**.

4. Cuando haya transcurrido el tiempo fijado, el horno emitirá un sonido agudo y en la pantalla se verá "End" (Fin) hasta que usted presione la tecla. Puede desactivar el temporizador en cualquier momento presionando **Timer1 On/Off (Activar/Desactivar temporizador 1) (Timer2 On/Off (Activar/Desactivar temporizador 2))**.
-

superficie de cocción

ACERCA DE LA SUPERFICIE DE COCCIÓN



PRECAUCIÓN

ANTES DE COCINAR

- No utilice la superficie de la cubierta de vidrio como tabla para cortar.
- No coloque ni almacene sobre la cubierta de vidrio elementos susceptibles de derretirse o prenderse fuego, aun cuando no se encuentre en uso.
- Encienda las unidades de superficie solamente después de colocar los recipientes de cocción sobre ellas.
- No almacene objetos pesados por encima de la superficie de cocción. Podrían caerse y dañar tal superficie



PRECAUCIÓN

DURANTE LA COCCIÓN

- Mientras la estufa esté en uso, no coloque sobre ella papel de aluminio ni elementos plásticos tales como saleros y pimenteros, apoyos para cucharas, ni envoltorios plásticos. El aire caliente que sale por la abertura de ventilación podría derretir plásticos o hacer arder elementos inflamables.
- Asegúrese de que se encuentre encendida la unidad de superficie correcta.
- Nunca cocine alimentos directamente sobre el vidrio. Siempre utilice recipientes.
- Siempre coloque la cacerola o sartén en el centro de la unidad de superficie sobre la cual está cocinando.
- Nunca deje las unidades de superficie sin atención mientras las utiliza reguladas a altas temperaturas. Los derrames por exceso de hervor producen humo y los derrames de sustancias grasas pueden arder en llamas.
- Apague las unidades de superficie antes de retirar los recipientes de cocción.
- No utilice películas plásticas para tapar los alimentos. El plástico podría derretirse, caer sobre la superficie y resultar muy difícil de quitar.
- El ventilador de enfriamiento puede hacerse funcionar durante la cocción en la cubierta.



PRECAUCIÓN

DESPUÉS DE COCINAR

- No toque las unidades de superficie hasta que se hayan enfriado.
- La superficie podría estar caliente aún y se podrían producir quemaduras si se la toca antes de que se haya enfriado lo suficiente.
- Limpie inmediatamente los derrames sobre las áreas de cocción, a fin de evitar un duro trabajo de limpieza más adelante.
- Si tiene un gabinete instalado directamente sobre la superficie de cocción, asegúrese de que los elementos en su interior sean de uso infrecuente y que puedan ser almacenados con seguridad en un lugar que reciba calor. Las temperaturas en el gabinete pueden resultar inseguras para elementos tales como líquidos volátiles, agentes limpiadores y aerosoles.

Sobre los elementos radiantes de la superficie

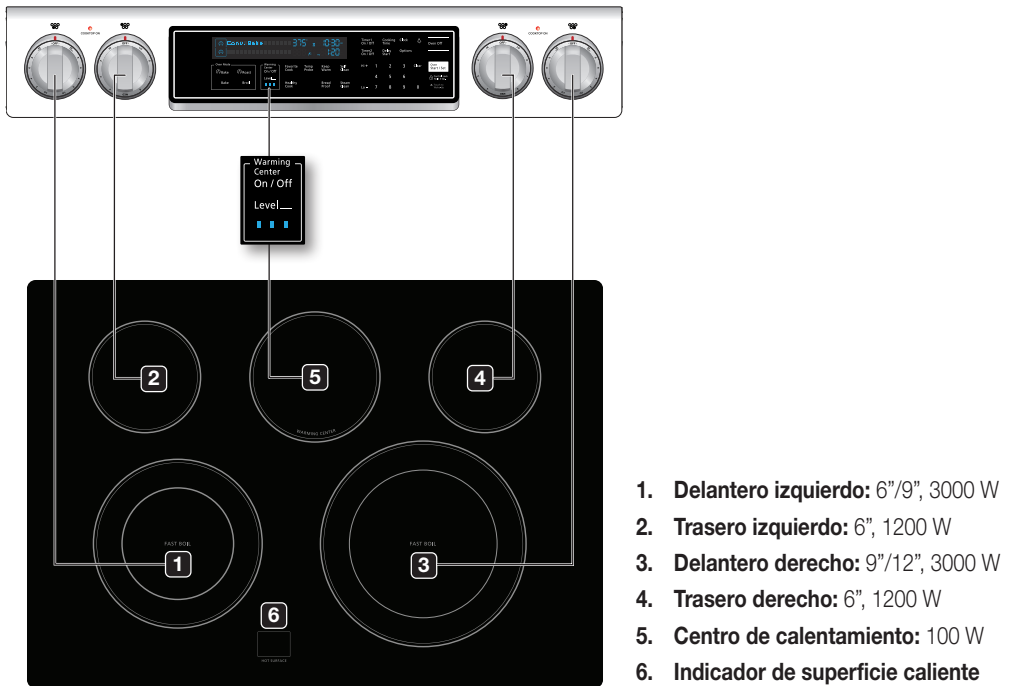
La temperatura de los elementos radiantes de la superficie aumenta en forma gradual y pareja. Al elevarse la temperatura, el elemento irradiará un color rojo. Para mantener la regulación seleccionada, el elemento alternará ciclos de encendido y apagado. El elemento calentador retiene calor suficiente como para suministrar calor suficiente y uniforme durante su ciclo de apagado. Para mejorar la eficiencia de cocción, apague el elemento varios minutos antes de que se complete la cocción. Esto permitirá que el calor residual complete el proceso de cocción.



Los elementos radiantes tienen un dispositivo limitante que les permite alternar en ciclos ON (de encendido) y OFF (de apagado) aun en la regulación HI (alta). Esto ayuda a evitar daños a la cubierta cerámica. La alternancia en ciclos en la regulación HI (alta) es normal. También puede ocurrir si el recipiente de cocción es demasiado pequeño para el elemento radiante o si la base del recipiente no es plana.

Ubicación de los elementos radiantes de la superficie y los controles

Las perillas controlan los elementos radiantes de la superficie de cocción tal como se indica a continuación.



Indicador de superficie caliente

- Se ilumina cuando la unidad se encuentra encendida o caliente al tacto.
- Permanece iluminada aún después de que se haya apagado la unidad.
- Emite luz hasta que la unidad se haya enfriado hasta aproximadamente 150 °F.

Áreas de cocción

- Las áreas de cocción de su estufa están señaladas por círculos permanentes sobre la superficie de cocción de vidrio. Para lograr la máxima eficiencia de cocción, seleccione un tamaño de recipiente adecuado con relación al elemento calentador.
- **Los recipientes de cocción no deben extenderse más de ½" a 1" más allá del área de cocción.**
- Cuando un control se encuentra encendido, puede ver una luz tenue a través de la superficie de cocción de vidrio. **El elemento alternará ciclos de encendido y apagado para mantener la regulación de temperatura seleccionada previamente, aun cuando se hayan regulado temperaturas altas.**
- Para mayor información sobre la selección de tipos correctos de recipientes de cocción, remítase a la sección "Utilización de los recipientes de cocción correctos", en la página 37.



Al girar la perilla, se oye una señal sonora. No obstante, si gira varias perillas, se oye una sola señal sonora que corresponde a la perilla inicial.

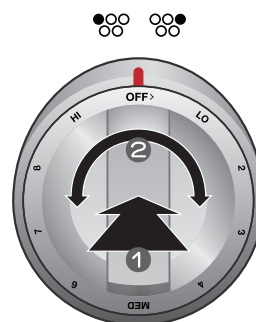
COMO REGULAR LA ESTUFA PARA LA COCCIÓN EN SUPERFICIE



- Los elementos de superficie pueden estar calientes incluso cuando están apagados y pueden causar quemaduras. No toque los elementos de superficie hasta que se hayan enfriado lo suficiente.
- Nunca deje la comida desatendida, cuando haya regulado temperaturas altas o de medianas a altas. Los derrames por exceso de hervir producen humo y los derrames de sustancias grasas pueden arder en llamas.
- Asegúrese de girar la perilla de control a **OFF (APAGADO)** cuando haya terminado de cocinar.

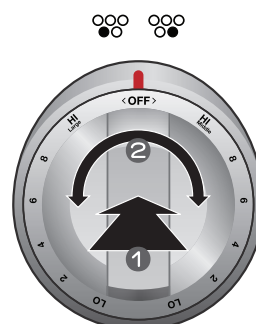
Perilla de control de unidades de superficie simples (trasera izquierda, trasera derecha)

1. Empuje la perilla hacia adentro.
2. Gire en cualquier dirección hasta la regulación deseada.
 - Tanto en la posición de apagado como en la regulación alta, la perilla se asienta en la posición con un "clic".



Perilla de control de unidades de superficie duales (delantera izquierda, delantera derecha)

1. Empuje la perilla hacia adentro.
2. Gire en cualquier dirección hasta la regulación deseada.
 - Para utilizar la unidad de superficie simple, gire la perilla de control a la posición del quemador media.
 - Para utilizar la unidad de superficie dual, gire la perilla de control a la posición del quemador grande.



Si quitó la perilla para limpiarla, insértela después de comprobar la dirección. (consulte la figura precedente)



La zona en la perilla entre las regulaciones Alta y Apagada no es apropiada para cocinar.

Regulaciones recomendadas

REGULACIÓN	TIPO DE COCCIÓN
ALTO	Cocción inicial de la mayoría de las comidas, hacer hervir agua, asar en cacerola
MEDIO ALTO	Mantener un hervor rápido, frituras, frituras sumergidas en grasa
MEDIO	Mantener un hervor lento, reducir salsas y jugos de cocción, cocción al vapor de vegetales
MEDIO BAJO	Mantener el proceso de cocción, escalfado, cocer guisados.
BAJO	Mantener alimentos calientes, derretir, hervir a fuego lento

Uso del centro de calentamiento

El **centro de calentamiento**, ubicado en la parte posterior central de la superficie de vidrio mantendrá calientes los alimentos ya cocidos, a temperatura apta para servir.



- El calentador de superficie no se pondrá al rojo como los demás elementos de cocción.



- No mantenga alimentos sobre el centro de calentamiento por más de dos horas.
- Utilice únicamente recipientes y vajilla recomendada como segura para uso en horno y sobre superficies de cocción.
- Siempre utilice agarradores o guantes aislantes cuando retira los alimentos del centro de calentamiento ya que los recipientes y los platos estarán calientes.
- Cuando se calientan pasteles y panes, use tapas que tengan una abertura para permitir que escape la humedad.
- No utilice películas plásticas para tapar la comida. El plástico podría derretirse sobre la superficie y ser muy difícil de limpiar.
- Los alimentos deben mantenerse en su recipiente y cubrirse con una tapa o papel de aluminio para mantener su calidad.
- Siempre comience con alimentos calientes. Consumir alimentos que fueron colocados sobre el centro de calentamiento crudos o fríos podría causar enfermedades.

1. Encienda el centro de calentamiento.
Presione **Warming Center On/Off (Centro de calentamiento Encender/Apagar)**.
2. Regule la potencia al nivel deseado.
Presione **Warming Center Level (Centro de calentamiento Nivel)** una vez para regularlo en el Nivel 1.
Presione la tecla dos veces para regularlo en el Nivel 2, 3 veces para el Nivel 3.
3. Apague el centro de calentamiento.
Presione **Warming Center On/Off (Centro de calentamiento Encender/Apagar)**.



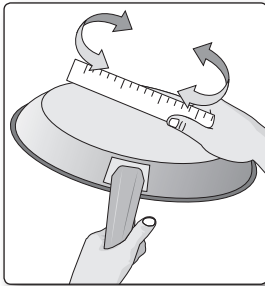
- Presionar **Oven Off (Apagar horno)** no apaga el centro de calentamiento.
- Para obtener óptimos resultados, todas las comidas en el centro de calentamiento deben cubrirse con una tapa o papel de aluminio. Cuando se calientan pasteles o panes, la tapa o papel de aluminio debe tener una abertura para permitir que escape la humedad.

Regulaciones recomendadas

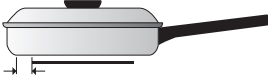
NIVEL	TIPO DE ALIMENTO
1	Panes y pasteles, guisados, reducciones de cocción, huevos
2	Plato de mesa con alimentos, sopas crema, vegetales, salsas, guisos, carnes
3	Comidas fritas, sopas líquidas, bebidas calientes

UTILIZACIÓN DE LOS RECIPIENTES DE COCCIÓN CORRECTOS

Utilizar los recipientes de cocción correctos puede evitar muchos problemas, tales como cocción despareja o tiempos de cocción demasiado largos. Utilizar las cacerolas y sartenes adecuadas redundará en menor tiempo de cocción y los alimentos se cocinarán en forma más pareja.



Controle que el fondo sea plano haciendo girar una regla sobre la base del recipiente.

CORRECTO	INCORRECTO
 <p>Fondo plano y lados verticales.</p> <ul style="list-style-type: none"> • Tapas bien ajustadas. • El peso del mango no inclina el recipiente. • El recipiente está bien equilibrado. • El tamaño del recipiente guarda adecuada relación con la cantidad de alimento que se preparará y con el elemento calentador. • Hecho de un material que es buen conductor del calor. • Siempre haga corresponder el diámetro del recipiente con el diámetro del elemento calentador. 	 <p>Recipientes cuyos fondos están curvados o deformados.</p>  <p>El recipiente sobresale del elemento en más de media pulgada.</p>  <p>El recipiente es más pequeño que el elemento calentador.</p>  <p>Mango demasiado pesado causa inclinación del recipiente.</p>

SELECCIÓN DE LOS RECIPIENTES DE COCCIÓN CORRECTOS

El material del que están hechos sus recipientes de cocción determina que tan rápida y parejamente se transfiere el calor del elemento calentador de la superficie al fondo del recipiente.

- **ALUMINIO** - Excelente conductor de calor. Algunos tipos de alimentos causarán el oscurecimiento del aluminio. (Los recipientes de aluminio anodizado son resistentes a las manchas y a las picaduras). Si se deslizan recipientes de aluminio sobre la cubierta de cocción cerámica, podrían quedar marcas de metal semejantes a rayaduras. Retire estas marcas ni bien la cubierta se enfríe.
- **COBRE** - Excelente conductor de calor pero su color se altera con facilidad. Puede dejar marcas de metal sobre la superficie vitro-cerámica (ver arriba).
- **ACERO INOXIDABLE** - Lento conductor de calor, los resultados de cocción pueden ser desparejos. Es duradero, fácil de limpiar y resistente a las manchas.
- **HIERRO FUNDIDO** - Mal conductor del calor, pero retiene el calor muy bien. Una vez alcanzada la temperatura necesaria, produce cocción uniforme. Se desaconseja su uso en superficies de cocción cerámicas.
- **UTENSILIOS ESMALTADOS** - Las características de conducción de calor dependerán del material base. Los revestimientos de porcelana deben ser lisos para evitar rayaduras en las superficies de cocción cerámicas.
- **VIDRIO** - Lento conductor de calor. Se desaconseja su uso en superficies de cocción cerámicas porque puede causar rayaduras.

PROTECCIÓN DE LA SUPERFICIE DE COCCIÓN

Limpieza

- Limpie la cubierta antes de utilizarla por primera vez.
- Limpie su cubierta diariamente o después de cada uso. Esto mantendrá la buena apariencia de la cubierta y puede evitar daños.
- Si durante la cocción ocurre un derrame, límpielo inmediatamente del área de cocción mientras esté caliente para evitar tener que hacer un duro trabajo de limpieza más adelante. Con extremo cuidado, limpie el derrame con una toalla limpia y seca.
- No permita que los derrames permanezcan mucho tiempo en el área de cocción o las terminaciones de la cubierta.
- **No** utilice polvos limpiadores abrasivos, paños abrasivos ni esponjas metálicas, porque producirán rayaduras en la cubierta.
- **No** utilice agua lavandina, amoníaco ni otros productos limpiadores no específicamente recomendados para ser usados en superficies vitro-cerámicas.

Cómo evitar marcas y rayaduras

- No utilice recipientes de cocción de vidrio. Pueden causar rayaduras en la cubierta.
- **No** coloque un trébedes o un aro para wok entre la cubierta y el recipiente. Estos elementos pueden marcar o rayar la cubierta.
- Asegúrese de que la cubierta y el fondo del recipientes se encuentren limpios.
- **No** deslice recipientes metálicos sobre la cubierta.

Prevención de manchas

- **No** utilice paños ni esponjas sucias para limpiar la superficie de cocción. Quedará una película que podría causar manchas sobre la superficie de cocción cuando se caliente el área.
- La cocción continuada sobre una superficie sucia puede causar manchas permanentes.

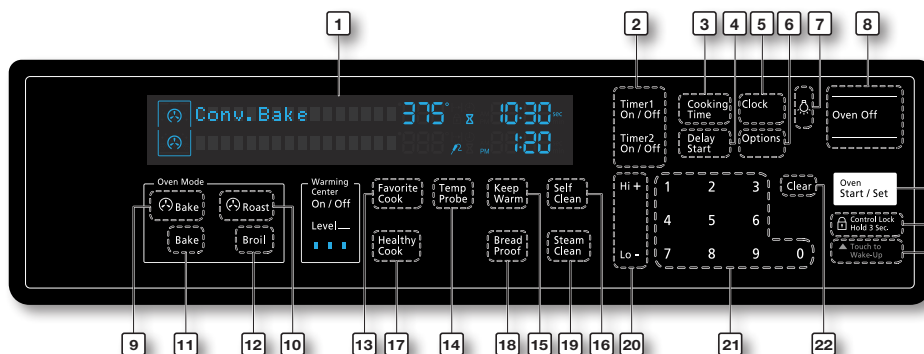
Prevención de otros daños

- No permita que plásticos, azúcar o alimentos con alto contenido de azúcar se derritan sobre la cubierta. Si esto ocurriese, limpie inmediatamente.
- No permita que un recipiente hierva hasta secarse. Esto dañará la cubierta y el recipiente.
- **No** utilice la cubierta como mesada ni como tabla para cortar.
- **No** cocine alimentos directamente sobre la cubierta. Use siempre los recipientes de cocción adecuados.

operación del horno

EL PANEL DE CONTROL DEL HORNO

LEA LAS INSTRUCCIONES CON ATENCIÓN ANTES DE UTILIZAR EL HORNO. Para obtener los mejores resultados, familiarícese con las diversas características y funciones del horno según se describe a continuación. **Encontrará instrucciones detalladas para cada característica y función más adelante en este manual.**

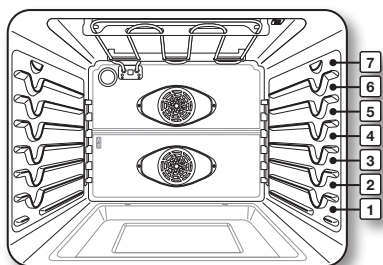


- 1. PANTALLA:** Muestra la hora del día, la temperatura del horno, si el horno está en el modo de hornear, asar a la parrilla o auto-limpieza y las horas fijadas para el temporizador o las operaciones automáticas del horno.
- 2. TIMER ON/OFF (ACTIVAR/DESACTIVAR TEMPORIZADOR):** Use para programar o cancelar el temporizador para minutos. El temporizador para minutos no inicia ni detiene la cocción.
- 3. COOKING TIME (TIEMPO DE COCCIÓN):** Presione y luego utilice el teclado numérico para programar la duración de la cocción para los alimentos. El horno se apagará cuando haya transcurrido el tiempo de cocción.
- 4. DELAY START (INICIO RETARDADO):** Presione para programar que el horno se active y detenga automáticamente a las horas que usted fije. (Hornear, hornear/asar por convección, tiempo de cocción y auto-limpieza).
- 5. CLOCK (RELOJ):** Use para fijar la hora del día.
- 6. OPTIONS (OPCIONES):** Use para mostrar el menú de preferencia del usuario en la pantalla.
- 7. LUZ:** Presione para encender o apagar la luz del horno.
- 8. OVEN OFF (APAGAR HORNO):** Presione para cancelar todas las operaciones del horno excepto reloj y temporizador.
- 9. CONVECTION BAKE (HORNEAR POR CONVECCIÓN):** Use para seleccionar la función de hornear por convección del horno.
- 10. CONVECTION ROAST (ASAR POR CONVECCIÓN):** Use para seleccionar la función de asar por convección del horno.
- 11. BAKE (HORNEAR):** Use para seleccionar la función de hornear del horno.
- 12. BROIL (ASAR A LA PARRILLA):** Use para seleccionar la función de asar a la parrilla del horno.
- 13. FAVORITE COOK (COCCIÓN FAVORITA):** Use para guardar o recuperar un modo de cocción favorita.
- 14. TEMP PROBE (SONDA DE TEMPERATURA):** Use para activar el modo de sonda de temperatura.
- 15. KEEP WARM (MANTENER CALIENTE):** Use para seleccionar la función de mantener caliente del horno para mantener calientes los alimentos cocidos.
- 16. SELF CLEAN (AUTO-LIMPIEZA):** Use para seleccionar la función de auto-limpieza del horno.
- 17. HEALTHY COOK (COMIDA SALUDABLE):** Presione para recuperar el ajuste de la receta de cocción saludable del horno.
- 18. BREAD PROOF (ENTIBIAR PAN PARA LEUDADO):** Use para seleccionar la función de entibiar pan para leudado.
- 19. STEAM CLEAN (LIMPIEZA CON VAPOR):** Use para seleccionar la función de limpieza con vapor del horno.
- 20. HI+ (Alta +)/LO-(Baja-):** Use para subir o bajar la temperatura y aumentar o disminuir los tiempos.

- 21. TECLADO NUMÉRICO:** Utilícelo para marcar o fijar cualquier función que requiera números tales como la hora en el reloj, el temporizador, la temperatura del horno, la hora de comienzo y la duración de la operación para el caso de horneado temporizado.
- 22. CLEAR (ELIMINAR):** Use para cancelar temperatura o tiempos ingresados previamente.
- 23. OVEN START/SET (INICIO/CONFIGURAR HORNO):** Use para iniciar cualquier función de cocción o de limpieza en el horno.
- 24. CONTROL LOCKOUT (TRABA DE CONTROLES):** Use para desactivar todas las funciones del horno.
- 25. TOUCH TO WAKE-UP (TOCAR PARA ACTIVAR):** Presione para activar botones y funciones en la pantalla.

USO DE LAS PARRILLAS DEL HORNO

Posiciones de las parrillas en el horno

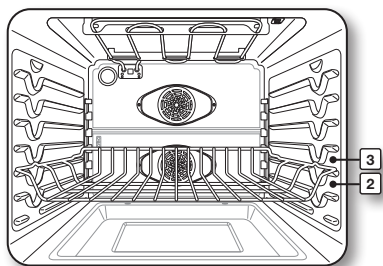


El horno simple tiene siete posiciones para las parrillas (1~7).

TIPO DE ALIMENTO	POSICIÓN DE LA PARRILLA
Muffins, brownies, galletitas, magdalenas, pasteles en capas, tartas, panecillos.	4
Tartas congeladas	4
Guiso	4
Panqués o pasteles en molde savarin	3
Pasteles de ángel	2
Jamones, carnes asadas de pequeño tamaño	2
Pavo, carnes asadas grandes	1

- Esta tabla es para referencia solamente.

Posición de la parrilla ahuecada



Si usa la parrilla ahuecada, los extremos ahuecados deben estar colocados en la posición de la parrilla arriba de la posición deseada de la comida. Vea la figura siguiente.



Estas posiciones de parrillas son para parrillas planas. Si se usa la parrilla ahuecada, la posición de la parrilla debe estar ajustada como se indica en la figura anterior.

Colocación de parrillas y recipientes

Colocar los moldes o las charolas lo más cerca posible del centro del horno producirá los mejores resultados.

Si hornea con más de un recipiente, colóquelos de manera tal que cada uno tenga 1" a 1½" de espacio libre a su alrededor.

Si hornea con dos parrillas, colóquelas en las **posiciones 2 y 4** o **2 y 5**.

Para obtener el mejor rendimiento, coloque las parrillas del horno en las **posiciones 2 y 4** cuando hornee tortas en múltiples parrillas.

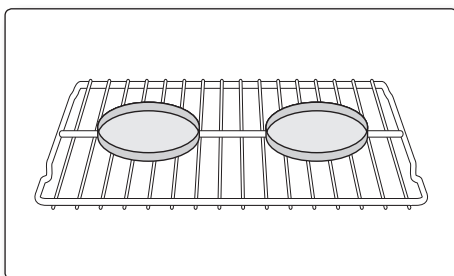
Cuando hornee galletas en parrillas múltiples, coloque las parrillas en las **posiciones 2 y 5**.

Coloque los recipientes como se muestra en las figuras a continuación.

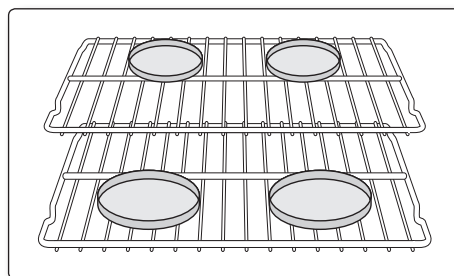
Cuando hornee en una única parrilla del horno, coloque la parrilla en la posición **3** o **4**.

Uso de múltiples parrillas del horno

Tipo de horneado	Posiciones de las parrillas
Pasteles	2 y 4
Galletitas	2 y 5



Parrilla del horno simple



Parrilla del horno múltiple

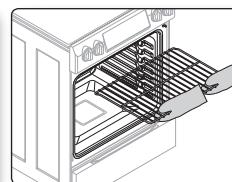
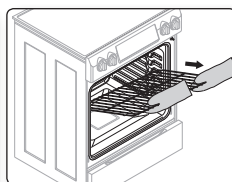
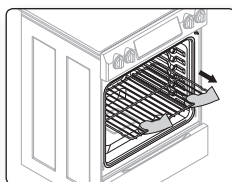
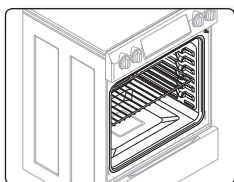
Antes de usar las parrillas

El horno tiene tres parrillas.

Cada parrilla tiene topes que requieren colocación correcta sobre las guías. Estos topes impedirán que la parrilla se salga completamente.










- Las parrillas no deben cubrirse con papel de aluminio ni colocarse sobre el fondo del horno. Tales acciones entorpecerían la circulación del calor, crearían problemas en el proceso de horneado y podrían dañar el fondo del horno.
- Coloque las parrillas en la distribución deseada solamente cuando el horno se encuentre frío.



AJUSTES MÍNIMOS Y MÁXIMOS

Todas las funciones enumeradas en la siguiente tabla tienen ajustes de tiempo o temperatura mínimos y máximos.

Se escuchará un sonido agudo (“bip”) cada vez que presione un tecla del panel de control y el dato ingresado haya sido aceptado. Si la temperatura o el tiempo ingresados se encuentran por debajo del mínimo o por arriba del valor ajustable máximo para la función en cuestión, sonará un tono de error en la forma de un “bip” prolongado.

FUNCIÓN	MÍNIMO	MÁXIMO
 Hornear	175 °F (80 °C)	550 °F (287 °C)
 Asar a la parrilla	Baja	Alta
 Hornear por convección	175 °F (80 °C)	550 °F (287 °C)
 Asar por convección	175 °F (80 °C)	550 °F (287 °C)
 Auto-limpieza	3 hs.	5 hs.
 Limpiar al vapor	20 min	20 min
 Mantener caliente	-	3 hs.

HORNEAR


El horno puede programarse para hornear a cualquier temperatura en el rango de 175 °F to 550 °F.

La temperatura y el tiempo de horneado varían según los ingredientes y el tamaño y la forma de la bandeja de hornear utilizada.

Los recubrimientos oscuros y antiadherentes cocinan los alimentos más rápidos y los doran más.




Cómo ajustar la temperatura

1. Comience el proceso de ajuste.
Presione **Bake (Hornear)**. La temperatura predeterminada es de 350 °F.
 2. Ingrese la temperatura que desea mediante las teclas numéricas, por ejemplo 3, 7, 5.
 3. Active la función de hornear.
Presione **Oven Start/Set (Inicio/Configurar horno)**. El indicador de temperatura comenzará a variar una vez que la temperatura del horno alcance 175 °F.
 4. Si desea cancelar el horneado o si terminó, presione **Oven Off (Apagar horno)**.
-

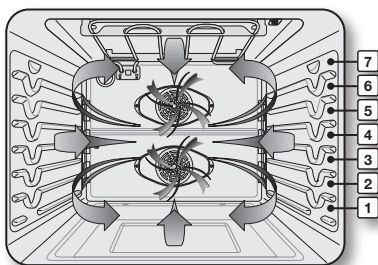
 Coloque los alimentos en el horno después de precalentarlo, si así lo requiere la receta. El precalentamiento es muy importante para lograr buenos resultados cuando se hornean tortas, pasteles, galletas, masas y panes. Cuando el horno haya alcanzado la temperatura deseada, sonará un “bip” prolongado 6 veces.

Cómo ajustar la temperatura durante el proceso de cocción.

1. Comience el proceso de ajuste.
Presione **Bake (Hornear)**. La pantalla mostrará la temperatura fijada hasta el momento, por ejemplo 375 °F.
 2. Ingrese la temperatura que desea, por ejemplo 425 °F, utilizando las teclas numéricas.
 3. Complete el ingreso presionando **Oven Start/Set (Inicio/Configurar horno)**.
-

-  Si deja la puerta del horno abierta durante más de 2 minutos cuando el horno está encendido, todos los elementos calentadores se apagarán automáticamente.
-  Cuando haya finalizado la cocción, el ventilador de enfriamiento continuará funcionando hasta que el horno se haya enfriado.
-  Por razones de rendimiento, el ventilador de convección puede encenderse o apagarse durante el funcionamiento.

HORNEAR POR CONVECCIÓN



Utilizar la función de hornear por convección, le permitirá una cocción más rápida. Se puede programar el horno para hornear por convección a temperaturas de entre 175 °F y 550 °F.


En el horneado por convección se activa un ventilador para hacer circular el calor del horno en forma pareja y continua. Esta mejor distribución del calor posibilita la cocción pareja y excelentes resultados cuando se utilizan múltiples parrillas al mismo tiempo. Las comidas que se cocinen sobre una única parrilla generalmente se cocinarán en forma más rápida y pareja si se utiliza la función de hornear por convección. La cocción utilizando múltiples parrillas en el horno puede resultar en tiempos de cocción un poco más largos para ciertas comidas, pero a fin de cuentas se ahorra tiempo. Los panes, pasteles y masas se doran en forma más pareja.





Consejo para el horneado por convección

El tiempo que ahorre dependerá del tipo y de la cantidad de alimento que esté cocinando. Al hornear galletas, se aconseja utilizar charolas sin lados o con lados muy bajos para permitir que el aire caliente circule alrededor de la comida. Utilizar una charola de superficie oscura permitirá una cocción más rápida.

Cuando hornee por convección con una única parrilla, colóquela en la **posición 4**. Si hornea en múltiples parrillas, colóquelas en las **posiciones 2 y 5** (cuando hornea galletitas) o **2 y 4** (cuando hornea tortas).

Cómo ajustar el horno para hornear por convección.

1. Active el modo de hornear por convección.
Presione  **Bake (Hornear por convección)**. La temperatura predeterminada es de 350 °F.
2. Ingrese la temperatura que desea, por ejemplo 400 °F, utilizando las teclas numéricas. Programe la temperatura que indica la receta.
3. Presione **Oven Start/Set (Inicio/Configurar horno)** para iniciar el horneado por convección.
El icono de hornear por convección y la temperatura ajustada del horno, por ejemplo 400 °F, aparecerán en la pantalla durante 2 segundos.
El indicador de temperatura comenzará a variar una vez que la temperatura del horno alcance 175 °F.
Cuando el horno alcance la temperatura deseada, sonará un "bip" 6 veces.
4. Para apagar o cancelar el horneado por convección presione **Oven Off (Apagar horno)**.

-  Cuando se abre la puerta del horno, el ventilador del horno de convección se apaga.
NO DEJE la puerta del horno abierta durante mucho tiempo mientras funciona en modo de convección porque ello podría reducir la vida útil del elemento radiante de convección.
-  Si deja la puerta del horno abierta durante más de 2 minutos cuando el horno está encendido, todos los elementos calentadores se apagarán automáticamente.
-  Cuando haya finalizado la cocción, el ventilador de enfriamiento continuará funcionando hasta que el horno se haya enfriado.
-  Por razones de rendimiento, el ventilador de convección puede encenderse o apagarse durante el funcionamiento.

ASAR POR CONVECCIÓN

Asar al horno por convección es conveniente para cortes de carne tiernos y de gran tamaño, sin cubrir.

El calor procede del elemento radiante ubicado en la parte superior. El ventilador de convección hace circular el aire caliente en forma pareja sobre y por alrededor de la comida. Las carnes, incluidas las aves, se doran por todos lados como si hubiesen sido cocidas en un rosticero (asador giratorio). El aire caliente rápidamente sella los alimentos dejando dentro los jugos y el producto resulta húmedo y tierno, a la vez que el exterior adquiere un atractivo color pardo dorado.

Cómo ajustar el horno para asar al horno por convección.

1. Active el modo asar por convección.

Presione  **Roast (Asar por convección)**. La temperatura predeterminada es de 350 °F.

2. Ingrese la temperatura que desea, por ejemplo 400 °F, utilizando las teclas numéricas.

3. Presione **Oven Start/Set (Inicio/Configurar horno)** para iniciar el asado por convección.

El icono de asar por convección y la temperatura ajustada del horno, por ejemplo 400 °F, aparecerán en la pantalla durante 2 segundos.

El indicador de temperatura comenzará a variar una vez que la temperatura del horno alcance 175 °F.

Cuando el horno alcance la temperatura deseada, sonará un "bip" 6 veces.

4. Apague o cancele el proceso de asado al horno por convección presionando **Oven Off (Apagar horno)**.



Cuando se abre la puerta del horno, el ventilador del horno de convección se apaga.

NO DEJE la puerta del horno abierta durante mucho tiempo mientras funciona en modo de convección porque ello podría reducir la vida útil del elemento radiante de convección.



Si deja la puerta del horno abierta durante más de 2 minutos cuando el horno está encendido, todos los elementos calentadores se apagarán automáticamente.



Cuando haya finalizado la cocción, el ventilador de enfriamiento continuará funcionando hasta que el horno se haya enfriado.



Por razones de rendimiento, el ventilador de convección puede encenderse o apagarse durante el funcionamiento.

COCCIÓN REGIDA POR TEMPORIZADOR

En un proceso de cocción regido por el temporizador, el horno se enciende inmediatamente y cocina durante el tiempo que usted fije. Una vez completado ese tiempo de cocción, el horno se apaga automáticamente.

- La función de tiempo de cocción se puede utilizar únicamente en combinación con otra operación de cocción (hornear, hornear por convección, asar por convección, comida saludable o cocción favorita).

Cómo programar el horno para cocción regida por el temporizador.

1. Comience el proceso de programación.

Presione la tecla para definir la operación de cocción que desea, por ejemplo **Conv.bake (Hornear por convección)**. La temperatura predeterminada es de 350 °F.

2. Ingrese la temperatura que desea, por ejemplo 375 °F, utilizando las teclas numéricas.

3. Presione **Cooking Time (Tiempo de cocción)**.

4. Ingrese el tiempo de cocción que desea, por ej. 45 min, utilizando las teclas numéricas.

El tiempo de cocción se puede fijar para cualquier duración desde 1 minuto hasta 9 horas y 99 minutos.

5. Presione **Oven Start/Set (Inicio/Configurar horno)** para empezar la cocción.

El indicador de temperatura comenzará a variar una vez que la temperatura del horno alcance 175 °F.

El horno continuará cocinando hasta que haya transcurrido el tiempo fijado, luego se apagará automáticamente salvo que se haya programado la función de mantener caliente. (Consulte la sección sobre la función de mantener caliente en la página 50).

6. Puede cancelar un tiempo de cocción en cualquier momento presionando **Oven Off (Apagar horno)**.



Coloque los alimentos en el horno después de precalentarlo, si así lo requiere la receta. El precalentamiento es importante para lograr buenos resultados cuando se hornean tortas, pasteles, galletas, masas y panes. Cuando el horno haya alcanzado la temperatura deseada, sonará un “bip” prolongado 6 veces.



Tenga precaución al utilizar las funciones **tiempo de cocción o inicio retardado**. Utilice estas funciones para cocinar carnes curadas o congeladas y la mayor parte de las frutas y vegetales. Los alimentos que se pueden echar a perder con facilidad tales como leche, huevos, pescado, carnes (incluidas las aves) deben enfriarse previamente en el refrigerador. Aun enfriados, no deben permanecer en el horno durante más de una hora antes de que se inicie la cocción y una vez completada la cocción deben retirarse a la brevedad. La ingestión de alimentos en mal estado puede producir intoxicación alimentaria.

INICIO RETARDADO

En una cocción con inicio retardado, el temporizador del horno enciende y apaga el horno a las horas que usted seleccione con anticipación.

- La función de inicio retardado se puede utilizar únicamente en combinación con otra operación de cocción (hornear, hornear por convección, asar por convección, comida saludable o cocción favorita).
- Se puede programar el horno para un inicio retardado antes de seleccionar las otras operaciones de cocción.
- Se debe ajustar el reloj en la hora actual.

Cómo programar el horno para inicio diferido

1. Coloque la(s) parrilla(s) y los alimentos en el horno.
2. Comience el proceso de programación.
Presione la tecla para definir la operación de cocción que desea, por ejemplo **Conv.bake (Hornear por convección)**. La temperatura predeterminada es de 350 °F.
3. Utilice las teclas numéricas para ingresar la temperatura que desea, por ejemplo 375 °F.
4. Presione **Cooking Time (Tiempo de cocción)**.
5. Ingrese el tiempo de cocción que desea, por ej. 45 min, utilizando las teclas numéricas.
El tiempo de cocción se puede fijar para cualquier duración desde 1 minuto hasta 9 horas y 99 minutos.
6. Presione **Delay Start (Inicio retardado)**.
7. Ingrese la hora a la cual desea que se encienda el horno, por ejemplo 4:30, mediante las teclas numéricas.
8. Presione **Oven Start/Set (Inicio/Configurar horno)**.
A la hora fijada, se emitirá un breve “bip”. El horno comenzará la cocción. Una vez que el horno haya alcanzado la temperatura deseada, sonará un “bip” prolongado 6 veces.



Coloque los alimentos en el horno después de precalentarlo, si así lo requiere la receta. El precalentamiento es importante para lograr buenos resultados cuando se hornean tortas, pasteles, galletas, masas y panes. Cuando el horno haya alcanzado la temperatura deseada, sonará un “bip” prolongado 6 veces.

ASAR A LA PARRILLA

El modo asar a la parrilla es el mejor para carnes, pescados y aves de hasta 1" de grosor. Asar a la parrilla es un método de cocinar cortes tiernos de carne mediante el calor directo bajo el elemento radiante del horno. La elevada temperatura realiza una cocción rápida y deja el exterior con un aspecto sabroso y dorado. La sonda de temperatura no puede utilizarse con este modo.

Cómo ajustar el horno para asar a la parrilla

1. Regule la temperatura de asar al nivel deseado.

Presione **Broil (Asar a la parrilla)**.

Puede seleccionar alta o baja presionando **Hi+ (Alta+)** o **Lo- (Baja-)**.

Use Lo (BAJA) para cocinar comidas tales como aves o cortes de carne gruesos sin tostarlos en exceso.

2. Active la función de asar a la parrilla.

Presione **Oven Start/Set (Inicio/Configurar horno)**.

Ase un lado hasta que los alimentos estén dorados. Délos vuelta y ase el otro lado.

3. Presione **Oven Off (Apagar horno)** cuando haya completado la cocción o si desea cancelarla.
-



Este horno está diseñado para asar con la PUERTA CERRADA.

La puerta del horno debe permanecer cerrada durante el asado a la parrilla.



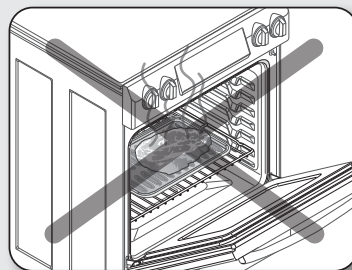
Si deja la puerta del horno abierta durante más de 2 minutos cuando el horno está encendido, todos los elementos calentadores se apagarán automáticamente.



Cuando haya finalizado la cocción, el ventilador de enfriamiento continuará funcionando hasta que el horno se haya enfriado.



Siempre use este modo de cocción con la puerta del horno cerrada.



Cuando abra la puerta, hágalo con precaución. Permita la salida del vapor o aire caliente antes de retirar o volver a colocar los alimentos en el horno.

Guía de recomendaciones para asar a la parrilla

Los tiempos necesarios para asar a la parrilla dependerán del tamaño, peso, espesor, temperatura inicial y su preferencia en cuanto al grado de cocción.

Esta guía está basada en carnes a temperatura de refrigerador.

Para asar, utilice siempre una asadera y su rejilla.

Antes de asar precaliente siempre el horno por 5 minutos.

Alimento	Grado de cocción	Tamaño	Espesor	Posición de la parrilla	Tiempo de cocción	
					1er lado	2do lado
Hamburguesas	Al punto	9 hamburguesas	3/4"	6	3:00	2:30
	Al punto	9 hamburguesas	1"	6 (o 7)	3:30	3:00
	Al punto	16 hamburguesas	1"	6	4:00	3:00
Tostadas	-	9 tostadas	-	5	0:50	0:35
Bistecs (carne de res)	Poco hecho	-	1"	5	5:00	3:30-4:00
	Al punto	-	1-1½"	5	7:00	5:00-6:00
	Muy hecho	-	1½"	5	8:00	6:00-7:00
Presas de pollo	Muy hecho	4.5 lbs.	1/2-3/4"	2	18:00-20:00	11:00-15:00
	Muy hecho	2-2½ lbs.	1/2-3/4"	2	13:00-15:00	8:00-11:00
Costillas de cerdo	Muy hecho	1 lb.	1/2"	3 o 2	9:00-10:00	7:00-9:00
Chuletas de cordero	Al punto	10-12 oz.	1"	3 o 2	5:00	4:00-5:00
	Muy hecho	1 lb.	1½"	3 o 2	7:00	6:00-8:00
Filetes de pescado	Muy hecho	-	1/4-1/2"	3 o 2	5:00-9:00	3:00-4:00
Lonchas de jamón (precocidas)	-	-	1/2"	3 o 2	5:00	4:00

CÓMO UTILIZAR LA FUNCIÓN DE COCCIÓN FAVORITA

La función de cocción favorita le permite registrar hasta 3 ajustes de receta diferentes. Puede usar la función de cocción favorita para hornear, hornear por convección o asar al horno por convección. No opera con ninguna otra función, incluida la de inicio retardado.

Cómo registrar los ajustes para una receta

1. Presione la tecla para la operación de cocción que desea almacenar, por ejemplo **Bake (Hornear)**. La temperatura predeterminada es de 350 °F.
2. Utilice las teclas numéricas para ingresar la temperatura que desea, por ejemplo 375 °F.
3. Presione **Cooking Time (Tiempo de cocción)**.
4. Ingrese el tiempo de cocción que desea, por ej. 45 min, utilizando las teclas numéricas.
5. Puede almacenar un ajuste de receta en una de las tres posiciones de cocción favorita. Presione **Favorite Cook (Cocción favorita)** la cantidad de veces que corresponda a la posición en la que desea almacenar el ajuste, por ejemplo para **Favorite Cook (Cocción favorita)** posición 2, presione **Favorite Cook (Cocción favorita)** dos veces.

Los ajustes de receta pueden almacenarse en las posiciones 1, 2 o 3.

6. Presione **Oven Start/Set (Inicio/Configurar horno)**.

Cómo recuperar un ajuste

1. Presione **Favorite Cook (Cocción favorita)** la cantidad de veces que corresponda a la posición en la cual está almacenado el ajuste, por ejemplo para Cocción favorita posición 2, presione **Favorite Cook (Cocción favorita)** dos veces.
2. Inicie la operación de cocción registrada.
Presione **Oven Start/Set (Inicio/Configurar horno)**.

USO DE LA FUNCIÓN DE COCCIÓN SALUDABLE

1. Guiso de arroz

La función de guiso de arroz proporciona un método de cocción más sano para cocinar guisos de arroz con vegetales, hierbas, pechugas de pollo, etc.

Cuando use esta función, no necesita precalentar el horno antes de cocinar. La temperatura de cocción y el tiempo de cocción dependen de la cantidad y el material.

Cómo programar la función de guiso de arroz

1. Presione **Healthy Cook (Comida saludable)**. La temperatura predeterminada es de 375 °F.
 2. Presione **1** (Guiso de arroz) en el teclado numérico.
Ingrese la temperatura que desee en las teclas numéricas.
 3. Presione **Oven Start/Set (Inicio/Configurar horno)** para iniciar la cocción del guiso de arroz.
-



Para obtener mejores resultados, cocine los guisos de arroz con ingredientes destapados y las carnes estofadas tapadas para evitar la evaporación.

2. Papa al horno

El modo de papa al horno está diseñado especialmente para hornear papas o batatas.

Cuando use esta función, no necesita precalentar el horno antes de cocinar.

Cómo programar la función de papa al horno

1. Presione **Healthy Cook (Comida saludable)**. La temperatura predeterminada es de 375 °F.
 2. Presione **2** (Papa al horno) en el teclado numérico.
Ingrese la temperatura que desee en las teclas numéricas.
 3. Presione **Oven Start/Set (Inicio/Configurar horno)**.
-

3. Pollo asado al grill

El modo de pollo grillado está diseñado especialmente para cocinar presas o pechugas de pollo.

Cuando use esta función, no necesita precalentar el horno antes de cocinar.

Si no quiere que el horno dore y seque la piel, cubra la pechuga con papel de aluminio.

Cómo programar la función de pollo grillado

1. Presione **Healthy Cook (Comida saludable)**. La temperatura predeterminada es de 350 °F.
 2. Presione **3** (Pollo grillado) en el teclado numérico.
Ingrese la temperatura que desee en las teclas numéricas.
-

4. Filete de salmón

Esta función está diseñada especialmente para cocinar filetes de salmón.

Cuando use esta función, no necesita precalentar el horno antes de cocinar.

La temperatura y el tiempo de cocción dependen de la cantidad y el grosor.

Cómo programar la función de filete de salmón

1. Presione **Healthy Cook (Comida saludable)**. La temperatura predeterminada es de 350 °F.
 2. Presione **4** (Filete de salmón) en el teclado numérico.
Ingrese la temperatura que desee en las teclas numéricas.
 3. Presione **Oven Start/Set (Inicio/Configurar horno)**.
-

5. Filete de pescado blanco

Esta función está diseñada especialmente para cocinar filetes de pescado blanco.

Cuando use esta función, no necesita precalentar el horno antes de cocinar.

La temperatura y el tiempo de cocción dependen de la cantidad y el grosor.

Como programar la función de filete de pescado blanco

1. Presione **Healthy Cook (Comida saludable)**. La temperatura predeterminada es de 375 °F.
2. Presione **5** (Filete de pescado blanco) en el teclado numérico.
Ingrese la temperatura que desee en las teclas numéricas.
3. Presione **Oven Start/Set (Inicio/Configurar horno)**.

Guía de recomendaciones para cocción saludable

La guía a continuación contiene recomendaciones para usar la función de cocción saludable. Esta tabla es para referencia solamente.

Cuando use esta función, no necesita precalentar el horno antes de cocinar.

Alimento	Cantidad	Posición de la parrilla	Temperatura predeterminada (°F)	Temperatura del horno (°F)	Tiempo de cocción (min)	Recomendaciones
Guiso de arroz	17.5 oz (500 g)	4	375	375 a 425	40-50	Coloque una taza de arroz instantáneo, algunos vegetales (zanahoria, cebolla, zapallito italiano, berenjena, etc.) y pechugas de pollo en una fuente para horno. Vierta una taza de caldo caliente en la fuente para horno y cúbrala con una tapa o papel de aluminio. Para evitar que el fondo se cocine en exceso, no use fuentes para horno esmaltadas o de hierro.
Papa al horno	6 uds.	3	375	375 a 425	30-40	Coloque 6 papas en una bandeja o fuente para horno. No corte las papas por la mitad. Condimente las papas después de la cocción si lo desea.
Filete de salmón	3 piezas 19.5 oz (550 g)	5	350	350 a 425	30-40	Coloque los filetes de salmón en una bandeja o fuente para horno. Condimente el salmón después de la cocción si lo desea.
Pollo asado al grill	Presas de pollo 1~1.2 kg	2	350	350 a 425	30-40	Coloque las presas de pollo en una bandeja o fuente para horno. Condimente el pollo después de la cocción si lo desea.
	Pechugas de pollo 4~6 piezas	2	350	350 a 425	30-40	Coloque las pechugas de pollo (espesor 1/8 a 4/10 de pulgada) en una asadera o fuente para horno. Condimente el pollo después de la cocción si lo desea. Para evitar que el pollo se dore en exceso o seque, cúbralo con papel de aluminio.

Alimento	Cantidad	Posición de la parrilla	Temperatura predeterminada (°F)	Temperatura del horno (°F)	Tiempo de cocción (min)	Recomendaciones
Filete de pescado blanco	4 filetes (550 g)	5	375	350 a 425	20-30	Coloque los filetes en una asadera o fuente para horno. Condimente el pescado después de la cocción si lo desea. Para evitar que el pescado se dore en exceso o se seque, cúbralo con papel de aluminio.

CÓMO USAR LA FUNCIÓN MANTENER CALIENTE

Esta función mantiene una temperatura del horno de 170 °F y mantendrá los alimentos cocidos calientes para servir por hasta tres horas después de finalizada la cocción.

Después de 3 horas, la función apagará el horno automáticamente. La función puede utilizarse sin combinar con otras operaciones de cocción y se puede configurar para que se active después de una operación de cocción regida por el temporizador o la temporizada diferida.

No debe usar esta función para recalentar alimentos fríos.

Cómo utilizar la función mantener caliente

1. Presione **Keep Warm (Mantener caliente)**.
2. Presione **Oven Start/Set (Inicio/Configurar horno)**.
3. Presione **Oven Off (Apagar horno)** en cualquier momento para desactivar esta función.

Cómo programar el horno para que se active la función mantener caliente a continuación de una cocción temporizada

1. Programe el horno para **Timed Cooking (Cocción con temporizador)**.
(Consulte la sección sobre cocción con temporizador en la página 44).
2. Presione **Keep Warm (Mantener caliente)** antes de presionar **Oven Start/Set (Inicio/Configurar horno)** para iniciar la cocción.
3. Presione **Oven Off (Apagar horno)** en cualquier momento para desactivar esta función.

USO DE LA FUNCIÓN ENTIBIAR PAN PARA LEUDADO

Esta función automáticamente genera la temperatura óptima para el proceso de leudado del pan y, por ende, no le corresponde ningún ajuste de temperatura.

Si presiona **Bread Proof (Entibiar pan para leudado)** cuando la temperatura del horno es superior a los 100 °F, la palabra Hot (Caliente) aparecerá en la pantalla. Dado que estas funciones producen mejores resultados si se inician cuando el horno está frío, le recomendamos que espere hasta que el horno se haya enfriado y "Hot" (Caliente) desaparezca de la pantalla.

1. Presione **Bread Proof (Entibiar pan para leudado)**.
2. Presione **Start/Set (Inicio/Configurar)**.
3. Presione **Oven Off (Apagar horno)** en cualquier momento para desactivar esta función.

CÓMO USAR LA FUNCIÓN DE OPCIONES

Esta función le permite controlar diversas opciones de control electrónico. Estas opciones incluyen ajuste de temperatura, unidad de temperatura, autoconversión, horario del día de 12 horas, horario del día de 24 horas, ahorro de energía transcurridas 12 horas, idioma, activar/desactivar señales sonoras, y modo de demostración. El menú de opciones solo está disponible cuando el horno no está en uso (no está realizando ningún tipo de cocción).

Opciones	Función
1. Ajuste de temperatura	Le permite corregir la temperatura del horno.
2. Unidad de temperatura	Le permite programar el control del horno para mostrar temperaturas en Fahrenheit o Centígrados.
3. Autoconversión	La función de autoconversión de convección automáticamente convierte temperaturas de horneado regulares a temperaturas de horneado por convección.
4. Hora del día	Le permite programar el reloj para mostrar la hora del día en modo de 12 o 24 horas.
5. Ahorro de energía transcurridas 12 horas	Esta función automáticamente apaga el horno después de 12 horas durante las funciones de horneado o después de 3 horas durante una función de asado.
6. Idioma	Le permite seleccionar inglés, francés o español.
7. Activar o desactivar las señales sonoras	Le permite programar los controles del horno para que funcionen en silencio.
8. Modo de demostración	Esta opción es para ser usada por comercios minoristas para fines de exhibición únicamente.

Ajuste de temperatura

La temperatura dentro del horno ya ha sido calibrada en la fábrica. Al principio, cuando utilice el horno, asegúrese de seguir las indicaciones de tiempo y temperatura de las recetas. Si cree que la temperatura del horno es excesiva o insuficiente, es posible corregirla. Antes de corregirla, pruebe una receta utilizando una regulación de temperatura más alta o más baja que la recomendada. Los resultados de horneado de esa manera probablemente le sirvan de guía para decidir la magnitud del ajuste requerido.

La temperatura del horno puede ajustarse ± 35 °F (± 19 °C).

Cómo corregir la temperatura del horno

1. Presione **Options (Opciones)** y **1** en el teclado numérico.
2. Presione **Hi+ (Alta+)** o **Lo- (Baja-)** para seleccionar más alta o más baja que la temperatura recomendada.
3. Ingrese el ajuste que desee usando las teclas numéricas. (0~35)
4. Presione **Oven Start/Set (Inicio/Configurar horno)** para guardar los cambios.



Este ajuste no afectará las temperaturas para asar a la plancha ni la de auto-limpieza. El ajuste se mantendrá en la memoria incluso después de un corte de electricidad.

Unidad de temperatura (Selección de temperatura entre Fahrenheit o Celsius)

Puede programar el control del horno para mostrar temperaturas en Fahrenheit o Centígrados. El horno viene de fábrica configurado para mostrar las temperaturas en Fahrenheit.

Cómo cambiar la pantalla de Fahrenheit a Celsius o de Celsius a Fahrenheit

1. Presione **Options (Opciones)** y **2** en el teclado numérico.
2. Presione **1** (Fahrenheit) o **2** (Celsius) en el teclado numérico.
3. Presione **Oven Start/Set (Inicio/Configurar horno)** para guardar los cambios.

Autoconversión

Cuando se utiliza la función de autoconversión, la función de autoconversión por convección convertirá automáticamente las temperaturas normales ingresadas a las temperaturas correspondientes para convección. Si se encuentra activada esta función, en la pantalla se verá la temperatura real convertida (reducida). Por ejemplo, si usted ingresa una temperatura de receta normal de 350 °F y presiona Start/Set Oven (Inicio/Configurar horno), la pantalla mostrará la temperatura convertida de 325 °F.
(Ajuste predeterminado: apagado).

Cómo activar o desactivar la función de autoconversión

1. Presione **Options (Opciones)** y **3** en el teclado numérico.
 2. Presione **1** (Desactivado) o **2** (Activado) en el teclado numérico.
 3. Presione **Oven Start/Set (Inicio/Configurar horno)** para guardar los cambios.
-

Hora del día (12/24 horas)

El control del horno puede programarse para mostrar la hora en modo de 12 o 24 horas. El horno viene de fábrica configurado para mostrar la hora en modo de 12 horas.

Cómo cambiar la pantalla para mostrar la hora en 12 o 24 horas

1. Presione **Options (Opciones)** y **4** en el teclado numérico.
 2. Presione **1** (12 horas) o **2** (24 horas) en el teclado numérico.
 3. Presione **Oven Start/Set (Inicio/Configurar horno)** para guardar los cambios.
-

Ahorro de energía transcurridas 12 horas

Si accidentalmente dejara el horno encendido, esta función automáticamente apagará el horno transcurridas 12 horas si está operando en funciones de horneado o transcurridas 3 horas si está asando a la parrilla.

Cómo activar o desactivar la función de ahorro de energía transcurridas 12 horas

1. Presione **Options (Opciones)** y **5** en el teclado numérico.
 2. Presione **1** (Desactivado) o **2** (Activado) en el teclado numérico.
 3. Presione **Oven Start/Set (Inicio/Configurar horno)** para guardar los cambios.
-

Idioma

Puede seleccionar inglés, francés o español. El ajuste predeterminado es inglés.

Cómo cambiar el idioma en la pantalla

1. Presione **Options (Opciones)** y **6** en el teclado numérico.
 2. Presione **1** (inglés), **2** (francés) o **3** (español) en el teclado numérico.
 3. Presione **Oven Start/Set (Inicio/Configurar horno)** para guardar los cambios.
-

Activar o desactivar las señales sonoras

Mediante esta función, pueden configurar los controles del horno para que funcionen silenciosamente.

Cómo encender o apagar el sonido

1. Presione **Options (Opciones)** y **7** en el teclado numérico.
2. Presione **1** (Desactivado) o **2** (Activado) en el teclado numérico.
3. Presione **Oven Start/Set (Inicio/Configurar horno)** para guardar los cambios.

Modo de demostración

Esta opción es para ser usada por comercios minoristas para fines de exhibición únicamente. (El elemento calentador no funciona).

Cómo activar o desactivar el modo demostración

1. Presione **Options (Opciones)** y **8** en el teclado numérico.
2. Presione **1** (Desactivado) o **2** (Activado) en el teclado numérico.
3. Presione **Oven Start/Set (Inicio/Configurar horno)** para guardar los cambios.

USO DE LA SONDA DE TEMPERATURA

Para muchas comidas, especialmente asados y aves (res, pollo, pavo, cerdo, cordero, etc.) la mejor manera de determinar si la comida está bien cocida es medir la temperatura interna.

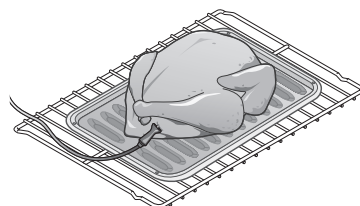
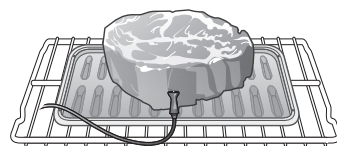
La sonda de temperatura le permite cocinar carnes a la temperatura interna exacta que desea, eliminando así el trabajo de adivinar para determinar si un trozo de carne está cocido o no.

Esta función se puede usar con Horno, Horno por convección o Asado por convección.

Una vez que la temperatura interna del alimento alcanza los 100 °F, el aumento de la temperatura interna se mostrará en la pantalla.

Cómo usar la sonda de temperatura

1. Introduzca la punta de la sonda de temperatura en la carne tanto como sea posible de modo que quede en el centro.
 - Inserte la sonda por completo en la carne como se muestra en las ilustraciones. No debe estar en contacto con huesos, grasa o cartílagos.
 - Si la sonda no se inserta por completo en la carne, la función Sonda de temperatura no funcionará correctamente dado que se detectará la temperatura del horno y no la temperatura de la carne.
 - Para carnes con hueso, inserte la sonda en el centro de la parte más baja y más gruesa de la pieza.
 - Para aves enteras (pavo, pollos grandes, etc.), inserte la sonda en la parte más gruesa del muslo interno, paralela a la pierna.
 - Si activa la función mantener caliente para mantener la carne caliente después de haberla cocinado usando la función de sonda de temperatura, la temperatura interna de la carne excederá la temperatura que desea.



2. Inserte el enchufe de la sonda de temperatura en la toma de pared lateral superior del horno hasta el fondo.
3. Seleccione la función de cocción (Hornear por convección, Asar por convección, Horneado) y la temperatura deseadas.
4. Presione **Temp Probe (Sonda de temperatura)** para regular la temperatura interna deseada.
5. Regule la temperatura interna deseada presionando el teclado numérico.

Temperaturas disponibles	100 °F a 200 °F
--------------------------	-----------------

6. Si desea usar la función de tiempo de cocción, inicio retardado o mantener caliente, programe cada función.
7. Presione **Oven Start/Set (Inicio/Configurar horno)**.
8. Cuando se alcanza la temperatura interna deseada, la función automáticamente se detiene y suena una alarma.



Para proteger la punta de la sonda de temperatura, tenga cuidado de no insertar la sonda de modo que la punta sobresalga de la superficie de la carne. Asegúrese de que la punta esté dentro o cerca del centro de la carne.



- No guarde la sonda en el horno.
- No deje la sonda dentro del horno durante un ciclo de auto-limpieza o asado a la parrilla. Puede dañar permanentemente la sonda y ya no funcionará.
- Para evitar la rotura de la punta de la sonda, descongele los alimentos por completo.
- No use pinzas cuando inserte o quite la sonda. Las pinzas pueden dañar la sonda.
- Use la sonda de temperatura únicamente para la función de cocción con sonda de temperatura. No use la sonda para ningún otro fin.



Si quita la sonda mientras la función de sonda de temperatura está activada o inserta la sonda mientras se está horneando o cocinando normalmente, la cocción se detendrá después de un minuto.



Si usa la sonda para cocinar alimentos congelados, a veces no se puede detectar (el ícono de sonda de temperatura no aparece en la pantalla).

Tabla de sonda de temperatura

Tipo de alimento		Temperatura interna
Res / Cordero	Poco hecho	140-150 °F
	Al punto	160-170 °F
	Muy hecho	175-185 °F
Carne de cerdo		175-185 °F
Ave		185-195 °F



Si cubre la carne con papel de aluminio y la deja reposar por 10 minutos después de la cocción, la temperatura interna aumentará 5-10 grados.

Cómo quitar la sonda de temperatura

Quite el enchufe de la sonda de temperatura de la toma.



Después de la cocción, la sonda de temperatura está lo suficientemente caliente como para causar quemaduras.

CÓMO PROGRAMAR LA FUNCIÓN SHABAT

(Para uso en el Shabat y otras fechas sagradas judías)



Para obtener asistencia adicional, pautas para el uso adecuado y una lista completa de modelos con la función Shabat, visite la web en <http://www.star-k.org>.

Puede usar la función Shabat solo para hornear. La temperatura del horno se puede regular más alta o más baja después de programar la función Shabat (la función de ajuste de la temperatura del horno debe usarse únicamente durante las fechas sagradas judías). Sin embargo, la pantalla no cambiará ni se producirán sonidos cuando se produzca un cambio. Una vez que el horno se encuentra correctamente configurado para hornear con la función Shabat activada, el horno permanecerá encendido continuamente hasta que se cancele esa función. Esto anulará la función de ahorro de energía transcurridas 12 horas que viene configurada de fábrica. Si la luz del horno es necesaria durante el Shabat, presione **Luz del horno** antes de activar la función Shabat. Una vez que la luz del horno se encuentre encendida y se encuentre activada la función Shabat, la luz del horno permanecerá encendida hasta que la función Shabat sea desactivada. Si la luz del horno debe estar apagada, asegúrese de apagarla antes de activar la función Shabat.

Cómo utilizar la función Shabat

1. Presione **Bake (Hornear)**.

La temperatura predeterminada es de 350 °F.

2. Ingrese la temperatura que desea, por ejemplo 375 °F, utilizando el teclado numérico.

3. Presione **Oven Start/Set (Inicio/Configurar horno)**.







El indicador de temperatura comenzará a variar una vez que la temperatura del horno alcance 175 °F.

4. Presione las teclas **Bake (Hornear)** y **Touch to Wake-Up (Tocar para activar)** a la vez durante 3 segundos. En la pantalla se verá **SAb**.

Una vez que SAb haya aparecido en la pantalla, el control del horno ya no emitirá sonidos ni mostrará ningún cambio.

Usted podrá cambiar la temperatura del horno una vez comenzada la operación de hornear. Recuerde que el control del horno ya no emitirá sonidos ni mostrará ningún cambio una vez activada la función Shabat.

5. Puede apagar el horno en cualquier momento presionando **Oven Off (Apagar horno)**. Esto apagará el horno. Si quiere desactivar la función Shabat, mantenga presionado **Bake (Hornear)** y **Touch to Wake-Up (Tocar para activar)** al mismo tiempo durante 3 segundos. La leyenda Sab desaparecerá de la pantalla.

-  No intente activar ningún otro programa excepto **Bake (Hornear)** mientras la función Shabat está activa. ÚNICAMENTE las siguientes teclas funcionarán correctamente con la función Shabat: **Teclado numérico, Bake (Hornear), Oven Start/Set (Inicio/Configurar horno) y Oven Off (Apagar horno)**. Ninguna de las demás teclas deben utilizarse una vez que se haya activado la función Shabat.
-  Puede cambiar la temperatura del horno, pero la pantalla no cambiará y los tonos no sonarán cuando se produzca un cambio. (la función de ajuste de temperatura del horno debe usarse solamente durante fechas sagradas judías). Después de cambiar la temperatura mientras la unidad está en modo Shabat hay una demora de 15 segundos antes de que la unidad reconozca el cambio.
-  Puede programar la función tiempo de cocción antes de activar la función Shabat.
-  Si se produjera un corte o interrupción de electricidad, el horno se apagará. Cuando vuelva la electricidad el horno no se encenderá automáticamente. Aparecerá SAb en la pantalla de control del horno, pero el horno no funcionará. Los alimentos pueden retirarse con seguridad del horno mientras el horno está en la función Shabat, sin embargo, el horno no puede volver a encenderse hasta después del Shabat/fechas sagradas judías. Después de la celebración del Shabat apague el modo Shabat. Mantenga presionados simultáneamente **Bake (Hornear)** y **Touch to Wake-Up (Tocar para activar)** durante al menos 3 segundos para apagar el modo Shabat. Se puede usar el horno normalmente.
-  No abra la puerta del horno ni cambie la temperatura del horno durante alrededor de 30 minutos después de haber iniciado el modo Shabat para permitir que el horno alcance la temperatura fijada. Observe que para obtener un mejor rendimiento, el ventilador del horno funciona solamente cuando la temperatura del horno está aumentando.
-  No use la cubierta cuando la estufa está en modo Shabat.

mantenimiento de su electrodoméstico

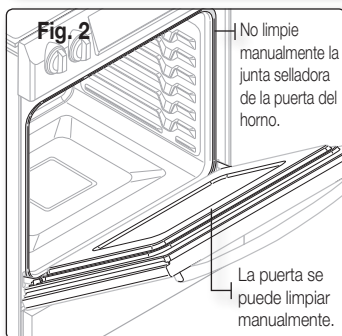
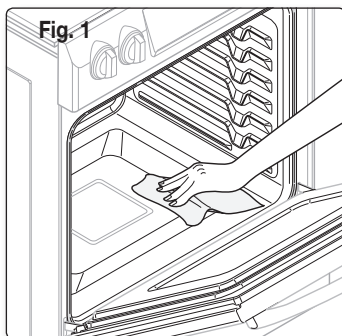
AUTO-LIMPIEZA

Este horno auto-limpiante utiliza altas temperaturas (mucho más altas que las temperaturas de cocción) para eliminar por incineración los restos de grasa y otros residuos o reducirlas a fino polvo de ceniza que se puede limpiar con un paño húmedo.



- Durante el ciclo de auto-limpieza, el exterior de la estufa puede volverse muy caliente al tacto. **No** deje a niños pequeños sin vigilancia en la proximidad del electrodoméstico.
- Algunas aves pueden enfermarse por las emanaciones producidas durante el ciclo de auto-limpieza de cualquier estufa. Lleve las aves a otra habitación bien ventilada.
- **No** revista con papel de aluminio las paredes del horno, parrillas, fondo o ninguna otra parte de la estufa. Hacerlo podría tener como consecuencia una mala distribución del calor, producir malos resultados de horneado y causar daños permanentes al interior del horno. El papel de aluminio se derretirá y adherirá a la superficie interior del horno.
- **No** fuerce la apertura de la puerta del horno. Tales maniobras pueden dañar el sistema de traba automática de la puerta. Tenga precaución al abrir la puerta del horno cuando se haya completado el ciclo de auto-limpieza. Tome una posición hacia un lado del horno cuando abra la puerta para dejar salir el vapor o aire caliente. El horno aún se encontrará **Muy caliente**.

Antes de un ciclo de auto-limpieza



- Recomendamos ventilar su cocina abriendo una ventana o utilizando una campana de ventilación o ventilador durante el ciclo de auto-limpieza.
- Retire del horno las parrillas, la asadera y su accesorio, todos los recipientes de cocción y todo el papel de aluminio.
- Utilice una esponja o un paño para retirar la suciedad del fondo del horno. (Fig. 1)
- Las parrillas plateadas pueden soportar el ciclo de auto-limpieza, pero se oscurecerán, perderán lustre y se volverán difíciles de deslizar.
- Los residuos sobre el marco frontal de la estufa y la parte que queda por fuera de la junta selladora de la puerta deben ser limpiados manualmente. Limpie estas áreas con agua caliente, esponjas de lana de acero bien enjabonadas o productos de limpieza tales como Sofá. Enjuague cuidadosamente con agua limpia y seque las superficies.
- No limpie la junta selladora. El material de fibra de vidrio de la junta de la puerta del horno no resiste la abrasión. Es fundamental que esa junta selladora permanezca intacta. Si usted nota que se está desgastando o deshilachando, reemplácela. (Fig. 2)
- Asegúrese de que la cubierta de la bombilla de la luz del horno se encuentre bien colocada y que la luz del horno esté apagada.



Quite las parrillas y los accesorios del horno antes de activar el modo de auto-limpieza.

Cómo hacer funcionar un ciclo de auto-limpieza

1. Seleccione la duración de la operación de auto-limpieza, por ejemplo: 3 horas.
Presione **Self Clean (Auto-limpieza)** una vez para un tiempo de limpieza de 3 horas, dos veces para un tiempo de limpieza de 4 horas, o 3 veces para un tiempo de limpieza de 5 horas.
La configuración predeterminada es de 3 horas.
2. Inicie el ciclo de auto-limpieza.
Presione **Oven Start/Set (Inicio/Configurar horno)**. Un motor cerrará automáticamente la cerradura de la puerta.
3. Cuando el ciclo de auto-limpieza haya finalizado, en la pantalla se verá la leyenda "End" y sonarán 6 "bips".



- Le resultará imposible iniciar un ciclo de auto-limpieza si se encuentra activada la función de traba de controles o si la temperatura del horno es demasiado elevada.
- Las puertas del horno se traban automáticamente. En la pantalla se verá el tiempo que falta para completar la limpieza. La apertura de la puerta será imposible hasta que la temperatura del horno disminuya hasta un nivel seguro.

Cómo retardar el inicio del proceso de auto-limpieza

1. Presione **Self Clean (Auto-limpieza)**.
Presione el tiempo de autolimpieza deseado presionando **Self Clean (Auto-limpieza)**.
2. Presione **Delay Start (Inicio retardado)**.
3. Ingrese la hora a la que desea que inicie el ciclo de limpieza.
4. Presione **Oven Start/Set (Inicio/Configurar horno)**.
En la pantalla se verá delay start (inicio retardado), self clean (auto-limpieza) y el icono de cerradura. Un motor cerrará automáticamente la cerradura de la puerta.
5. El ciclo de auto-limpieza se activará automáticamente a la hora fijada.

Como apagar la función de auto-limpieza

Es posible que se vea en la necesidad de detener o interrumpir un ciclo de auto-limpieza debido a humo dentro del horno.

1. Presione **Oven Off (Apagar horno)**.
2. La puerta solamente se podrá abrir cuando la temperatura del horno se haya reducido lo suficiente, lo cual demora aproximadamente 1 hora.

Después de un ciclo de auto-limpieza

- Es posible que note una cierta cantidad de ceniza blanca dentro del horno. Límpiela con un paño húmedo una vez que el horno se haya enfriado. (Si quedan manchas blancas, quítelas con una esponja de lana de acero bien enjabonada y enjuague a fondo con una mezcla de vinagre y agua).
- Si el horno no ha quedado limpio después de un ciclo, repita el ciclo.
- No se puede programar el horno para cocción hasta que su temperatura se haya reducido lo suficiente como para permitir que la puerta se destrabe.

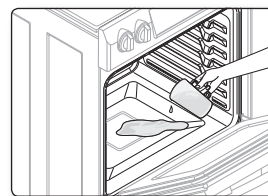
LIMPIEZA AL VAPOR

Cómo programar el horno para limpieza al vapor

Para limpieza liviana, la función de limpieza al vapor ahorra tiempo y energía. Si se requiere un trabajo de limpieza más pesado para eliminar detritos y grasa, use la función de auto-limpieza.

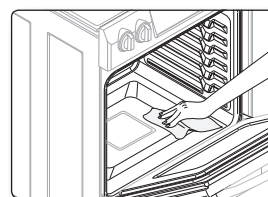
1. Retire del horno todos los accesorios.
2. Vierta aproximadamente 10 onzas (300 ml) de agua en el fondo del horno vacío y cierre la puerta del horno.

Utilice solamente agua normal, no agua destilada.



3. Presione **Steam Clean (Limpieza con vapor)**.
4. Presione **Oven Start/Set (Inicio/Configurar horno)**.
Cuando se haya completado la operación, la pantalla parpadeará y sonará un "bip".

5. Presione **Oven Off (Apagar horno)**.
6. Limpie el interior del horno.
Después de un ciclo de limpieza al vapor quedará una significativa cantidad de agua en la parte inferior del horno. Retire el agua residual utilizando una esponja o un paño suave seco.



- ★ Al realizar la limpieza al vapor, utilice exactamente 10 onzas (300 ml) de agua, ya que así se obtienen los mejores resultados.
- ☑ Si presiona **Steam Clean (Limpieza con vapor)** cuando la temperatura del horno se encuentra por encima de los 100 °F, aparecerá la palabra **Hot (Caliente)** en la pantalla. Dado que estas funciones producen mejores resultados si se inician cuando el horno está frío, le recomendamos que espere hasta que el horno se haya enfriado y "Hot" (Caliente) desaparezca de la pantalla.

Después de un ciclo de limpieza al vapor

- Tenga cuidado al abrir la puerta una vez finalizado el procedimiento de limpieza al vapor. El agua en la base está caliente.
- Abra la puerta del horno y retire el agua remanente con una esponja. No permita que el agua residual permanezca en el horno por más tiempo que el indispensable. Limpie el horno y séquelo con un paño suave. No olvide limpiar debajo de la junta selladora de la puerta del horno.
- Para limpiar el interior del horno, utilice una esponja empapada en detergente, un cepillo suave, o un estropajo de nylon. Quite los residuos tenazmente adheridos con un estropajo de nylon. Para quitar los depósitos calcáreos puede utilizar un paño empapado en vinagre.
- Si el horno aún está sucio, puede repetir el proceso una vez que el horno se haya enfriado.
- Para el caso de residuos pesados, tales como la grasa remanente después de asar, le recomendamos que frote detergente sobre el residuo antes de activar la función de limpieza al vapor.
- Después de limpiar, deje la puerta del horno entornada en un ángulo de 15 ° para que la superficie interior esmaltada pueda secarse completamente.

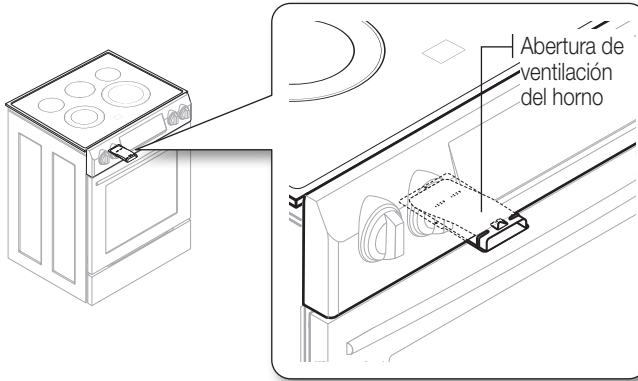
CUIDADO Y LIMPIEZA DEL HORNO



- Asegúrese de que todos los controles están **APAGADOS** y que todas las superficies estén **FRÍAS** antes de limpiar cualquier parte de la estufa.
- Si su estufa es removida para limpieza, reparación o cualquier motivo, asegúrese de que el dispositivo anti inclinación se vuelva a encastrar correctamente cuando se vuelve a colocar la estufa. Si no encastra el dispositivo anti inclinación, la estufa podría inclinarse y producir lesiones graves.



Abertura de ventilación del horno



- La abertura de ventilación del horno está ubicada debajo de la caja de control.
- Esta área podría calentarse durante el uso del horno.
- Es normal que salga vapor por esta abertura.
- La abertura de ventilación es importante para la correcta circulación del aire. Nunca tapone esta abertura de ventilación.

Limpieza de las partes pintadas y las terminaciones decorativas

- Para su limpieza general, utilice un paño con agua jabonosa caliente.
- Para residuos más resistentes o grasa acumulada, aplique un detergente líquido directamente sobre el área y espere de 30 a 60 minutos. Limpie con un paño húmedo y luego seque. No utilice limpiadores abrasivos sobre ninguna de estas superficies. Pueden causar rayaduras.

Limpieza de superficies de acero inoxidable.

1. Agite bien el envase del producto limpiador de electrodomésticos de acero inoxidable o de líquido de pulir.
2. Coloque una pequeña cantidad de producto limpiador de electrodomésticos de acero inoxidable o de líquido de pulir sobre un paño húmedo o sobre una toalla de papel húmeda.
3. Limpie un área pequeña, frotando en la dirección del grano del acero inoxidable, si fuese el caso.
4. Seque y lustre con una toalla de papel seca y limpia o un paño húmedo.
5. Repita en la medida de lo necesario.

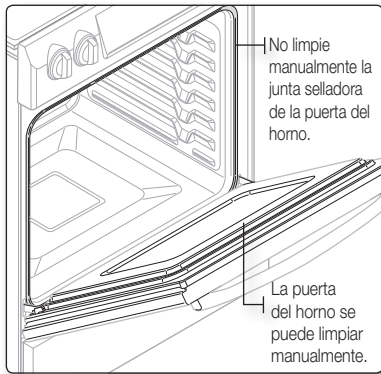


- **No use una esponja de lana de acero. Rayará la superficie.**
- Si anteriormente el electrodoméstico fue limpiado utilizando un producto a base de aceite mineral, lave la superficie con líquido lavavajilla y agua antes de utilizar producto limpiador de electrodomésticos de acero inoxidable o de líquido de pulir.

Parrillas del horno

- Si las parrillas se dejan en el horno durante un ciclo de auto-limpieza, su color virará a tonos azulados y se volverán opacas. Una vez finalizado el ciclo de auto-limpieza y que se haya enfriado el horno, frote las barras laterales de las parrillas con un papel encerado o con un paño humedecido con una pequeña cantidad de aceite. Esto permitirá que las parrillas se deslicen más fácilmente en sus carriles.

Puerta del horno



- Utilice agua y jabón para limpiar a fondo la parte superior, los lados y el frente de la puerta del horno. Enjuague bien. Se puede utilizar un líquido limpiavidrios sobre la cara exterior de la ventana de la puerta del horno. **NO** sumerja la puerta en agua. **NO rocíe ni permita que agua ni líquido limpiavidrios penetre en los orificios de ventilación de la** puerta. **NO** utilice productos para limpiar hornos, polvos de pulir, ni ningún material de limpieza fuertemente abrasivo sobre el exterior de la puerta del horno.
- **NO limpie la junta selladora de la puerta del horno.** La junta selladora de la puerta del horno está confeccionada con un material tejido que es esencial para un cierre bien sellado. Se debe tener cuidado de no frotar, dañar o retirar la junta.

CUIDADO Y LIMPIEZA DE LA CUBIERTA DE VIDRIO

Limpieza en el uso normal diario

Use solo un producto de limpieza para superficies de cocción cerámicas. Otras cremas podrían resultar menos efectivas.

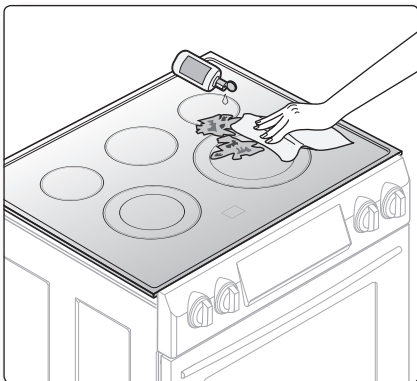
Seguir estos pasos le permitirá mantener y proteger la superficie de su cubierta de vidrio.

1. Antes de utilizar la cubierta por primera vez, límpiela con un producto de limpieza para superficies de cocción cerámicas. Esto ayuda a proteger la cubierta y facilita la limpieza.
2. Utilizar diariamente un producto de limpieza para superficies de cocción cerámicas ayudará a que la cubierta mantenga la apariencia de nueva.
3. Agite bien la crema de limpieza. Aplique unas pocas gotas del producto de limpieza directamente sobre la cubierta.
4. Utilice una toalla de papel o una almohadilla para limpiar superficies de cocción cerámicas para limpiar toda la superficie de la cubierta.
5. Utilice un paño seco o una toalla de papel para quitar todos los residuos de la limpieza. No es necesario enjuagar.



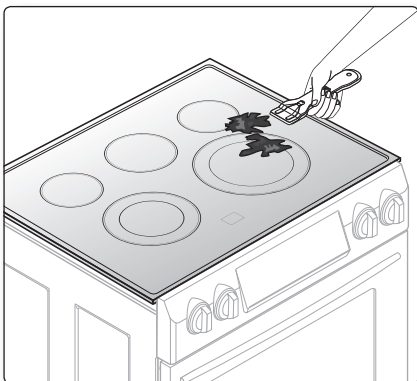
Se podrían producir **DAÑOS** a la superficie de vidrio si se utilizaran almohadillas o estropajos distintos de los recomendados.

Cómo quitar los residuos quemados



1. Espere que la cubierta se enfríe.
2. Esparza unas pocas gotas de limpiador para superficies de cocción cerámicas sobre toda la zona de residuos quemados.
3. Utilice el paño de limpieza para superficies de cocción cerámicas y frote la zona de los residuos aplicando la presión necesaria.
4. Si queda algún residuo, repita los pasos arriba enumerados según resulte necesario.
5. Para protección adicional, después de haber quitado todo el residuo, lustre toda la superficie con el producto de limpieza para la cubierta cerámica y una toalla de papel.

Cómo quitar gruesas capas de residuos quemados y adheridos



1. Espere que la cubierta se enfríe.
2. Utilice una rasqueta de navaja de un solo filo a un ángulo de 45° sobre la superficie de vidrio y raspe la suciedad. Será necesario aplicar presión para poder quitar el residuo.
3. Después de raspar con la rasqueta de navaja, esparza unas pocas gotas de limpiador para superficies de cocción cerámicas sobre toda la zona de residuos quemados. Utilice el paño de limpieza para quitar los residuos que queden. (No raspe la junta selladora).
4. Para protección adicional, después de haber quitado todo el residuo, lustre toda la superficie con el producto de limpieza para la cubierta y una toalla de papel.

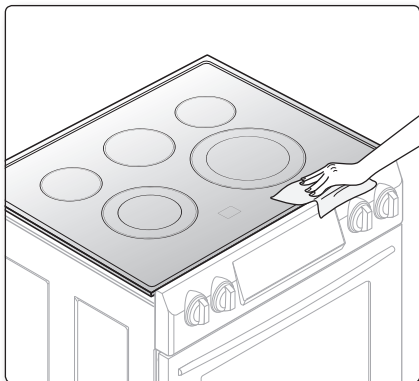
Cómo quitar marcas de metal y arañazos

1. Tenga cuidado de no deslizar las cacerolas y sartenes sobre la cubierta de su estufa. Esto dejará marcas en la superficie de la cubierta. Puede quitar estas marcas utilizando o un limpiador para superficies de cocción cerámicas con un paño de limpieza específico para limpiar estas superficies.
2. Si recipientes de limpieza someramente revestidos con aluminio o cobre se dejan hirviendo hasta secarse, el revestimiento puede dejar manchas de color sobre la cubierta. Estas manchas de color se deben quitar inmediatamente o se pueden volver permanentes.



Controle cuidadosamente los fondos de los recipientes de cocción para asegurarse de que estén libres de rugosidades que puedan rayar la cubierta.

Limpieza de la junta selladora de la cubierta



Para limpiar la junta selladora a lo largo de los bordes del vidrio, deje un paño mojado reposando contra ella por unos minutos y luego limpie con un producto no abrasivo.

Potenciales daños permanentes a la superficie de vidrio

- Los derrames de materiales azucarados (tales como jaleas, caramelo, almíbar) o plásticos fundidos pueden causar picaduras en la superficie de la cubierta. Esta situación no está cubierta por la garantía. El derrame debe limpiarse mientras permanezca caliente. Sea especialmente cuidadoso al quitar sustancias calientes. Consulte la sección siguiente.
- Si utiliza una rasqueta, asegúrese de que sea nueva y que su navaja mantenga buen filo. No utilice una navaja sin filo o con mordeduras.

Limpieza de derrames azucarados y plástico fundido

1. Apague todas las unidades de superficie. Quite todos los recipientes de cocción calientes.
2. Usando un guante aislante, utilice una rasqueta de navaja de un solo filo para mover la sustancia derramada a una zona de la cubierta que no se encuentre caliente. Quite la sustancia derramada con toallas de papel.
3. El remanente del derrame debe dejarse hasta que la superficie de cocción se haya enfriado.
4. No vuelva a utilizar las unidades de superficie hasta que todo el residuo haya sido quitado completamente.



Si ya se han producido picaduras o hendiduras en la superficie del vidrio, la cubierta de vidrio deberá ser reemplazada. En tal caso, será necesario llamar al servicio de reparaciones.

CÓMO RETIRAR Y VOLVER A COLOCAR LA PUERTA DEL HORNO

Cómo retirar la puerta



- La puerta es muy pesada. Tenga cuidado al retirarla y levantarla. No levante la puerta halando de la manija.
- Desconecte la electricidad antes de retirar la puerta.

1. Abra la puerta por completo.
2. Hale de las trabas de las bisagras hacia abajo, hacia el marco de la puerta hasta la posición destrabada.



3. Sujete firmemente ambos lados de la puerta en su extremo superior.
4. Cierre la puerta en la posición de remoción de la puerta, que es a aproximadamente 5 grados de la posición vertical (Fig. 1).
5. Levante la puerta y hale hacia afuera hasta que el brazo de la bisagra esté fuera de la ranura (Fig. 2).

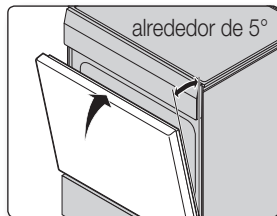


Fig. 1

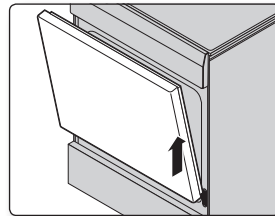
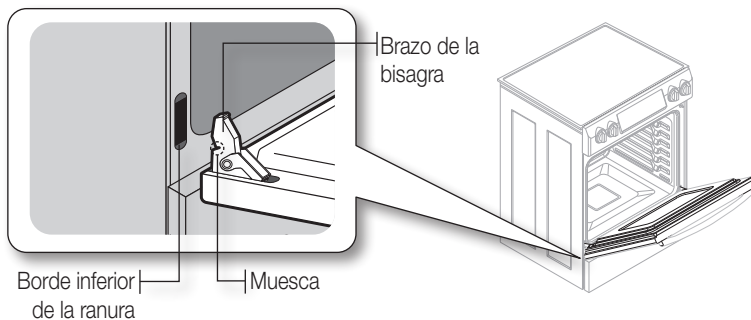


Fig. 2

Cómo volver a colocar la puerta

1. Sujete firmemente ambos lados de la puerta en su extremo superior.
2. Con la puerta en el mismo ángulo que en la posición para retirar, deslice la muesca del brazo de la bisagra hasta que encaje en el borde inferior de la ranura para la bisagra. La muesca en el brazo de la bisagra debe quedar completamente inserta en la parte inferior de la ranura.



3. Abra la puerta por completo. Si la puerta no se abre completamente, la muesca no se encuentra correctamente insertada en el borde inferior de la ranura.
4. Empuje las trabas de bisagra hacia arriba contra el marco frontal de la cavidad del horno hasta que queden en la posición trabada.

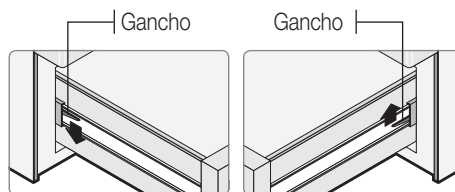


5. Cierre la puerta del horno.

CÓMO RETIRAR Y VOLVER A COLOCAR EL CAJÓN DE ALMACENAMIENTO

Cómo retirar el cajón de almacenamiento

1. Jale del cajón hasta que se detenga.
2. Incline el frontal del cajón y extráigalo hasta que se detenga.
3. Levante el cajón y extráigalo.



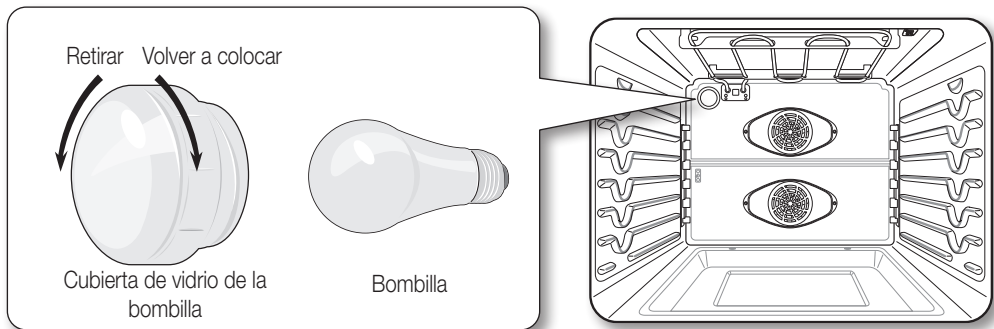
Cómo volver a colocar el cajón de almacenamiento

1. Ponga el lado izquierdo del cajón sobre el gancho izquierdo y el lado derecho sobre el gancho derecho.
2. Empuje el cajón hasta que se detenga.
3. Incline y levante el cajón.
4. Empuje el cajón hacia adentro.

RECAMBIO DE LA LUZ DEL HORNO

La luz del horno es una bombilla para electrodomésticos estándar de 40 watts. Se encenderá al abrirse la puerta del horno. Cuando la puerta del horno se encuentre cerrada, presione **Luz del horno** para encenderla o apagarla. No funcionará durante el ciclo de auto-limpieza.

1. Asegúrese de que el horno y la bombilla se encuentren fríos.
2. Desenchufe la estufa o desconecte la corriente.
3. Para retirar la cubierta de vidrio de la bombilla en la parte trasera del horno, gírela en sentido contrario a las agujas del reloj.
4. Gire la bombilla en sentido contrario a las agujas del reloj para retirarla de su casquillo.



5. Vuelva a colocar la bombilla de luz y su cubierta de vidrio girándolas en el sentido de las agujas del reloj.
6. Enchufe la estufa o vuelva a conectar la electricidad.



Antes de cambiar la bombilla de la luz de su horno, desconecte la alimentación de electricidad a la estufa en el fusible principal o en el panel del disyuntor. Asegúrese de que el horno y la bombilla se encuentren fríos.

resolución de problemas

RESOLUCIÓN DE PROBLEMAS

Samsung hace grandes esfuerzos para asegurar que usted no experimente problemas con su nueva estufa eléctrica. Si se encuentra con problemas inesperados, como primera medida busque la solución en la siguiente tabla. Si, luego de intentar la solución sugerida, aún experimenta problemas, llame a Samsung al número 1-800-SAMSUNG (1-800-726-7864).

PROBLEMA	CAUSA POSIBLE	SOLUCIÓN	
La estufa está desnivelada.	El electrodoméstico fue instalado incorrectamente.	<ul style="list-style-type: none"> Coloque la parrilla del horno en el centro del horno. Coloque un nivel sobre la parrilla. Ajuste las patas de nivelación en la base de la estufa hasta que la parrilla del horno quede nivelada. Asegúrese de que el piso esté nivelado y sea lo suficientemente fuerte y estable como para soportar la estufa. 	
	El piso se encuentra vencido, combado, hundido o inclinado.	<ul style="list-style-type: none"> Contáctese con un carpintero para corregir esta situación. 	
	Son los gabinetes de cocina los que están desalineados y hacen que la estufa parezca desnivelada.	<ul style="list-style-type: none"> Asegúrese de que los gabinetes se encuentren en escuadra y dejan suficiente lugar para la instalación. 	
Es necesario acceder al electrodoméstico para efectuarle servicio de mantenimiento o reparación y resulta difícil de mover.	Los gabinetes de cocina no están en escuadra o están contruidos demasiado apretados contra el electrodoméstico.	<ul style="list-style-type: none"> Contáctese con un constructor o instalador para posibilitar el acceso al electrodoméstico. 	
	La alfombra interfiere con el movimiento de la estufa.	<ul style="list-style-type: none"> Despeje suficiente espacio para que la estufa pueda ser levantada por encima de la alfombra. 	
El control del horno emite una señal sonora y muestra un código de error.	Usted tiene un código de error de función.	<ul style="list-style-type: none"> Presione Oven Off (Apagar horno) y vuelva a encender el horno. Si el problema persiste, desconecte toda alimentación eléctrica a la estufa durante por lo menos 30 segundos y luego reconecte la alimentación eléctrica. Si esto no soluciona el problema, llame al servicio de reparaciones. 	
	CÓDIGO		CAUSA
	E-21		Sensor del horno abierto
	E-22		Sensor del horno en cortocircuito.
	E-24		El horno recalienta
	E-2E		Error de sonda de temperatura
	E-0E		Error de la traba de la puerta
	E-83		Error de comunicación
-tE-	Error de comunicación (Touch)		
Las unidades de superficie no mantienen un hervor continuo o no cocinan con la rapidez esperable.	Puede estar usando recipientes de cocción inadecuados.	<ul style="list-style-type: none"> Utilice recipientes de fondo plano y cuyo diámetro se corresponda con la unidad de superficie seleccionada. 	
	En algunas áreas, el potencial eléctrico (voltaje) puede estar demasiado bajo.	<ul style="list-style-type: none"> Cubra el recipiente con una tapa hasta que se alcance la temperatura deseada. 	
Las unidades de superficie no se encienden.	Puede haberse quemado un fusible en su casa o haberse disparado el disyuntor.	<ul style="list-style-type: none"> Reemplace el fusible o reinicie el disyuntor. 	
	Los controles de la superficie de cocción están incorrectamente configurados.	<ul style="list-style-type: none"> Controle que se encuentre configurado el control correcto para la unidad de superficie en uso. 	

PROBLEMA	CAUSA POSIBLE	SOLUCIÓN
La unidad de superficie deja de estar al rojo vivo cuando se cambia a una regulación más baja.	Esto es normal. La unidad todavía se encuentra encendida y caliente.	
Zonas con alteraciones de color en la cubierta.	Se omitió limpiar alimentos derramados.	<ul style="list-style-type: none"> Remítase a la sección sobre cuidado y limpieza de la cubierta de vidrio en página 60.
	La superficie está caliente y el modelo se caracteriza por una cubierta de color claro.	<ul style="list-style-type: none"> Esto es normal. El color de la superficie puede aparecer alterado cuando está caliente. Esto es transitorio y desaparecerá a medida que el vidrio se enfríe.
La unidad de superficie alterna frecuentemente entre encendido y apagado.	Esto es normal.	<ul style="list-style-type: none"> El elemento pasará por ciclos de encendido y apagado para mantener la regulación de energía.
El horno no se enciende.	La estufa no se encuentra bien enchufada al tomacorriente.	<ul style="list-style-type: none"> Asegúrese de que el enchufe se encuentre insertado en un tomacorriente alimentado con corriente y bien conectado a tierra.
	Puede haberse quemado un fusible en su casa o haberse disparado el disyuntor.	<ul style="list-style-type: none"> Reemplace el fusible o reinicie el disyuntor.
	Los controles del horno se han configurado incorrectamente.	<ul style="list-style-type: none"> Vea el capítulo donde se describe la operación del horno.
	El horno está demasiado caliente.	<ul style="list-style-type: none"> Espere a que el horno se enfríe.
La estufa no se enciende.	La estufa no se encuentra bien enchufada al tomacorriente o tal vez en su casa se haya quemado un fusible o activado el disyuntor.	<ul style="list-style-type: none"> Asegúrese de que el cable de alimentación se encuentre enchufado en un tomacorriente alimentado con corriente y bien conectado a tierra. Controle los fusibles y disyuntores.
	El servicio técnico no completó la conexión de cables.	<ul style="list-style-type: none"> Solicite servicio técnico.
	Hay un corte de energía en su localidad.	<ul style="list-style-type: none"> Controle si se encienden las luces de su casa. De ser necesario, llame a su compañía de electricidad local.
No se enciende la luz del horno.	La bombilla está floja o fallada.	<ul style="list-style-type: none"> Ajuste o reemplace la bombilla.
	El interruptor de la luz está roto o descompuesto.	<ul style="list-style-type: none"> Solicite servicio técnico.
El horno emite demasiado humo cuando se asa a la parrilla.	El control no fue regulado correctamente.	<ul style="list-style-type: none"> Remítase a la sección sobre la regulación de los controles del horno. Asegúrese de que la puerta del horno se encuentre entornada a la posición de traba para asar a la parrilla.
	La carne fue colocada demasiado próxima al elemento radiante.	<ul style="list-style-type: none"> Cambie la posición de la parrilla para dejar el espacio adecuado entre la carne y el elemento radiante. Si desea sellar la carne, precaliente el elemento radiante.
	La carne no fue preparada correctamente.	<ul style="list-style-type: none"> Quite el exceso de grasa de la carne. Corte y retire los bordes grasos que podrían retorcerse, dejando intacto la carne magra.
	Hay acumulación de grasa sobre las superficies del horno.	<ul style="list-style-type: none"> Es necesario limpiar con regularidad si se asa a la parrilla con frecuencia.

PROBLEMA	CAUSA POSIBLE	SOLUCIÓN
Los alimentos no se hornean o asan como es debido.	Los controles del horno se han configurado incorrectamente.	<ul style="list-style-type: none"> • Vea el capítulo donde se describe la operación del horno.
	La parrilla del horno fue colocada en una posición incorrecta o no se encuentra nivelada.	<ul style="list-style-type: none"> • Vea la sección sobre el uso de las parrillas del horno en página 40.
	Se están utilizando recipientes de cocción no adecuados o de tamaño incorrecto.	
	El sensor del horno requiere ajuste.	<ul style="list-style-type: none"> • Vea la sección sobre cómo ajustar el termostato, en página 51.
Los alimentos no se asan a la parrilla correctamente.	Los controles del horno se han configurado incorrectamente.	<ul style="list-style-type: none"> • Presione Broil (Asar a la parrilla).
	La parrilla fue colocada en una posición incorrecta.	<ul style="list-style-type: none"> • Vea la guía de recomendaciones para asar a la parrilla, en la página 46.
	El recipiente no es adecuado para este tipo de cocción.	<ul style="list-style-type: none"> • Utilice utensilios de cocción adecuados.
	En algunas áreas, el potencial eléctrico (voltaje) puede estar demasiado bajo.	<ul style="list-style-type: none"> • Precaliente durante diez minutos el elemento radiante para asar a la parrilla. • Vea la guía de recomendaciones para asar a la parrilla, en la página 46.
El horno está a temperatura demasiado alta o demasiado baja.	El sensor del horno requiere ajuste.	<ul style="list-style-type: none"> • Vea la sección sobre cómo ajustar el termostato, en página 51.
Rayaduras o abrasiones en la superficie de la cubierta.	La limpieza de la cubierta se está realizando incorrectamente.	<ul style="list-style-type: none"> • Las rayaduras son imposibles de quitar. Por efectos de la limpieza, las rayaduras muy pequeñas se volverán menos visibles con el transcurrir del tiempo.
	Se usaron sobre la cubierta recipientes de cocción con fondos rugosos, o se depositaron partículas gruesas y abrasivas (por ejemplo, sal o arena) entre los recipientes y la superficie de la cubierta.	<ul style="list-style-type: none"> • Para evitar rayaduras, utilice los procedimientos de limpieza recomendados. Asegúrese de que los fondos de los recipientes de cocción estén limpios antes de usarlos. Utilice recipientes de fondos lisos.
	Se ha deslizado algún utensilio de cocina sobre la superficie de cocción.	
Pintas o vetas pardas.	Ocurrieron derrames que fueron cocinados hasta adherirse a la superficie.	<ul style="list-style-type: none"> • Utilice la rasqueta para quitar la suciedad. • Vea la sección sobre cuidado y limpieza de la cubierta de vidrio, en la página 60.
Zonas con alteración de color con brillo metálico.	Depósitos minerales originados en el agua o los alimentos permanecieron sobre la superficie de la cubierta.	<ul style="list-style-type: none"> • Quítelos utilizando una crema de limpieza para superficies de cocción vitro-cerámicas. • Utilice recipientes de cocción con fondos limpios y secos.
El horno no ejecuta el proceso de auto-limpieza.	La temperatura del horno es demasiado alta como para programar una operación de auto-limpieza.	<ul style="list-style-type: none"> • Espere que la estufa se enfríe y ajuste los controles.
	Los controles del horno se han configurado incorrectamente.	<ul style="list-style-type: none"> • Vea la sección sobre auto-limpieza, en la página 56.
	No se puede iniciar un ciclo de auto-limpieza si ha activado la función de traba del horno o si algún elemento radiante de superficie se encuentra encendido.	
Se oyen ruidos como crujidos o suaves estallidos.	Estos son los ruidos que emite el metal al calentarse y enfriarse durante las funciones de cocción y limpieza.	<ul style="list-style-type: none"> • Esto es normal.

PROBLEMA	CAUSA POSIBLE	SOLUCIÓN
Humo excesivo durante un ciclo de auto-limpieza.	El horno se encuentra demasiado sucio.	<ul style="list-style-type: none"> Presione Oven Off (Apagar horno). Abra las ventanas para que el humo salga del ambiente. Espere hasta que el ciclo de auto-limpieza se cancele. Retire la suciedad excesiva con un paño o almohadilla y nuevamente programe el horno para auto-limpieza.
Después de un ciclo de auto-limpieza la puerta del horno, no se abre.	El horno está demasiado caliente.	<ul style="list-style-type: none"> Espere a que el horno se enfríe.
Cumplido un ciclo de auto-limpieza, el horno aún no está limpio.	Los controles del horno se han configurado incorrectamente.	<ul style="list-style-type: none"> Vea la sección sobre auto-limpieza, en la página 56.
	El horno tenía suciedad pesada.	<ul style="list-style-type: none"> Limpie los derrames pesados antes de iniciar el ciclo de auto-limpieza. Cuando el horno está muy sucio, puede ser necesario repetir la auto-limpieza o darle una duración mayor.
La abertura de ventilación despidе vapor.	Cuando se usa la función de convección, es normal ver salir vapor por la abertura de ventilación.	<ul style="list-style-type: none"> Esto es normal.
	La cantidad de vapor visible aumenta cuando se usan más parrillas o se cocina mayor cantidad de alimento.	
Olores a quemado o a aceite emanan de la abertura de ventilación.	Esto es normal cuando el horno es nuevo y desaparecerá con el tiempo.	<ul style="list-style-type: none"> Para acelerar este proceso, programe un ciclo de auto-limpieza de por lo menos 3 horas. Vea la sección sobre auto-limpieza, en la página 56.
Olor fuerte.	Las primeras veces que se usa el horno, es normal que emane olor del material aislante que envuelve al horno.	<ul style="list-style-type: none"> Esto es transitorio.
Ruido del ventilador.	Un ventilador de convección puede encenderse y apagarse automáticamente.	<ul style="list-style-type: none"> Esto es normal.
Resulta difícil deslizar las parrillas del horno.	Las parrillas plateadas quedaron dentro del horno durante un ciclo de auto-limpieza.	<ul style="list-style-type: none"> Aplique una pequeña cantidad de aceite vegetal sobre una toalla de papel y frote con él los lados de la parrilla.
La pantalla queda en blanco.	Puede haberse quemado un fusible en su casa o haberse disparado el disyuntor.	<ul style="list-style-type: none"> Reemplace el fusible o reinicie el disyuntor.
La pantalla parpadea.	Hubo un corte de energía eléctrica.	<ul style="list-style-type: none"> Reajuste el reloj.
El cajón no se desliza con suavidad o se arrastra con fricción.	El cajón se encuentra desalineado.	<ul style="list-style-type: none"> Jale el cajón hacia afuera completamente y empujelo totalmente hacia adentro. Vea la página 64.
	El cajón está sobrecargado o la carga está desbalanceada.	<ul style="list-style-type: none"> Reduzca el peso. Redistribuya el contenido de los cajones.

garantía (E.E.U.U.)

CONSERVE ESTA HOJA - REEMPLAZA LA PÁGINA DE GARANTÍA EN LA GUÍA DE USO Y MANTENIMIENTO

ESTUFA ELÉCTRICA SAMSUNG

GARANTÍA LIMITADA PARA EL COMPRADOR ORIGINAL

El presente producto de la marca SAMSUNG, tal como lo provee y distribuye SAMSUNG ELECTRONICS AMERICA, INC. (SAMSUNG) y lo entrega como nuevo, en su empaque de cartón original al comprador o consumidor original, está garantizado por SAMSUNG contra defectos de fabricación de los materiales y la mano de obra durante el período limitado de la garantía de:

Garantía de un (1) año por repuestos y mano de obra, y cinco (5) años por repuestos para la cubierta de vidrio y la hornalla radiante

Durante este período de garantía adicional de cuatro años de duración, quedarán a su cargo todos los costos de mano de obra y servicio técnico a domicilio.

La presente garantía limitada comienza en la fecha original de compra y es válida únicamente para productos comprados y usados en los Estados Unidos. Para recibir el servicio técnico de la garantía, el comprador debe comunicarse con SAMSUNG con el fin de que se determine el problema y los procedimientos del servicio. El servicio técnico de la garantía solo puede ser prestado por un centro de servicio técnico autorizado de SAMSUNG. Se debe presentar la factura de compra original como prueba de compra a SAMSUNG o al servicio técnico autorizado de SAMSUNG. Samsung brindará servicio técnico a domicilio sin cargo durante el período de garantía, sujeto a disponibilidad, dentro del territorio contiguo de los Estados Unidos. El servicio técnico a domicilio no se encuentra disponible en todas las áreas. Como condición para que se preste este servicio a domicilio, el producto debe encontrarse libre de obstrucciones y accesible para el agente de servicio. Si el servicio no está disponible, Samsung podrá optar por brindar el servicio de transporte del producto de ida y vuelta al centro de servicio.

SAMSUNG reparará o reemplazará el producto a nuestra discreción y sin cargo tal como se establece en la presente garantía, con piezas o productos nuevos o reacondicionados si se comprueba que es defectuoso durante el período limitado de la garantía especificado anteriormente. Todas las piezas y los productos reemplazados pasan a ser propiedad de SAMSUNG y deben ser devueltos a SAMSUNG. Las piezas y los productos reemplazados asumen la garantía original que resta, o noventa (90) días, el período que sea el más prolongado.

La presente garantía limitada cubre defectos de fabricación de los materiales y la mano de obra encontrados durante el uso normal y doméstico de este producto y no será válida para lo siguiente: daños que ocurran durante el envío; entrega e instalación; aplicaciones y usos para los cuales el presente producto no fue destinado; producto o números de serie alterados; daño cosmético o acabado exterior; accidentes, abuso, descuido, incendio, inundación, caída de rayos, u otros casos fortuitos o de fuerza mayor; uso de productos, equipo, sistemas, utilidades, servicios, piezas, suministros, accesorios, aplicaciones, instalaciones, reparaciones, cableado externo o conectores no provistos ni autorizados por SAMSUNG que dañen este producto o que acarreen problemas en el servicio; voltaje de la línea eléctrica incorrecto, fluctuaciones y sobretensión; ajustes del cliente e incumplimiento de lo establecido en el manual de instrucciones sobre instrucciones de utilización, mantenimiento y ambientales que están cubiertas y recomendadas en el manual de instrucciones; desmontaje y reinstalación del producto; problemas causados por plagas; recalentamiento o exceso de cocción causado por el usuario. Esta garantía limitada no cubre casos de corriente, voltaje o alimentación eléctrica incorrectos, bombillas de luz, fusibles y cableado en la casa, el costo de las llamadas al servicio técnico para solicitar instrucciones, ni la corrección de errores de instalación. Tampoco están cubiertos los daños a la cubierta de vidrio causados por el uso de productos y elementos de limpieza distintos de los productos y almohadillas recomendadas, daños a la cubierta de vidrio causados por derrames endurecidos de sustancias azucaradas o plásticos fundidos que no hubiesen sido limpiados de acuerdo con las instrucciones incluidas en la guía de uso y cuidados. SAMSUNG no garantiza el funcionamiento ininterrumpido o sin errores del producto.

SALVO LO ESTABLECIDO EN ESTE DOCUMENTO, NO EXISTEN GARANTÍAS RESPECTO DE ESTE PRODUCTO NI EXPRESAS NI TÁCITAS Y SAMSUNG DESCONOCE Y RECHAZA TODA GARANTÍA INCLUIDAS, AUNQUE NO TAXATIVAMENTE ENUMERADAS, TODA GARANTÍA TÁCITA DE COMERCIABILIDAD, INFRACCIÓN O APTITUD PARA UN PROPÓSITO ESPECIAL. NINGUNA OTRA GARANTÍA OTORGADA POR PERSONA, COMPAÑÍA O CORPORACIÓN ALGUNA CON RESPECTO AL PRESENTE PRODUCTO REVESTIRÁ CARÁCTER VINCULANTE PARA SAMSUNG. SAMSUNG NO SERÁ RESPONSABLE POR PÉRDIDA DE INGRESOS O LUCRO CESANTE, IMPOSIBILIDAD DE GENERAR AHORROS U OBTENER OTROS BENEFICIOS, O CUALQUIER DAÑO DERIVADO DE CIRCUNSTANCIAS ESPECIALES, DAÑO IMPREVISTO O DERIVADO CAUSADO POR EL USO, USO INCORRECTO, O INCAPACIDAD PARA USAR EL PRESENTE PRODUCTO, INDEPENDIEMENTE DE LA TEORÍA LEGAL EN QUE SE FUNDE EL RECLAMO Y AUN CUANDO SE LE HAYA NOTIFICADO A SAMSUNG DE LA POSIBILIDAD DE TALES DAÑOS. NINGÚN RESARCIMIENTO DE NINGUNA ÍNDOLE CONTRA SAMSUNG SUPERARÁ EL MONTO DEL PRECIO DE COMPRA DEL PRODUCTO VENDIDO POR SAMSUNG Y CAUSANTE DEL PRESUNTO DAÑO. SIN LIMITAR LO PRECEDENTE, EL COMPRADOR ASUME TODO EL RIESGO Y LA RESPONSABILIDAD POR PÉRDIDA, DAÑO O LESIÓN AL COMPRADOR Y A LOS BIENES DEL COMPRADOR Y A TERCEROS Y A SUS BIENES DERIVADOS DEL USO, USO INCORRECTO O INCAPACIDAD PARA USAR EL PRESENTE PRODUCTO. LA PRESENTE GARANTÍA LIMITADA NO SE EXTENDERÁ A NINGUNA PERSONA DISTINTA DEL COMPRADOR ORIGINAL DEL PRESENTE PRODUCTO, ES INTRANSFERIBLE Y ESTABLECE SU EXCLUSIVA REPARACIÓN.

Algunos Estados no permiten limitaciones en cuanto al plazo de una garantía implícita, o la exclusión o limitación de daños imprevistos o derivados, por lo tanto las limitaciones o exclusiones antedichas pueden no aplicarse en su caso. Esta garantía le otorga derechos legales específicos, y además puede tener otros derechos que varían según el estado en el que se encuentre.

Para recibir un servicio técnico de garantía, comuníquese con SAMSUNG a:

Samsung Electronics America, Inc.
85 Challenger Road Ridgefield Park, NJ 07660
1-800-SAMSUNG (726-7864) y www.samsung.com/us/support

garantía (CANADÁ)

CONSERVE ESTA HOJA - REEMPLAZA LA PÁGINA DE GARANTÍA EN LA GUÍA DE USO Y MANTENIMIENTO

ESTUFA ELÉCTRICA SAMSUNG

GARANTÍA LIMITADA PARA EL COMPRADOR ORIGINAL

El presente producto de la marca SAMSUNG, tal como lo provee y distribuye SAMSUNG ELECTRONICS CANADA, INC. (SAMSUNG) y lo entrega como nuevo, en su empaque de cartón original al comprador o consumidor original, está garantizado por SAMSUNG contra defectos de fabricación de los materiales y la mano de obra durante el período limitado de la garantía de:

Garantía de un (1) año por repuestos y mano de obra, y cinco (5) años por repuestos para la cubierta de vidrio y la hornalla radiante

Durante este período de garantía adicional de cuatro años de duración, quedarán a su cargo todos los costos de mano de obra y servicio técnico a domicilio.

La presente garantía limitada comienza en la fecha original de compra y es válida únicamente para productos comprados y usados en CANADÁ. Para recibir el servicio técnico de la garantía, el comprador debe comunicarse con SAMSUNG con el fin de que se determine el problema y los procedimientos del servicio. El servicio técnico de la garantía solo puede ser prestado por un centro de servicio técnico autorizado de SAMSUNG. Se debe presentar la factura de compra original como prueba de compra a SAMSUNG o al servicio técnico autorizado de SAMSUNG. Samsung brindará servicio técnico a domicilio sin cargo durante el período de garantía, sujeto a disponibilidad, dentro del territorio contiguo de CANADÁ. El servicio técnico a domicilio no se encuentra disponible en todas las áreas. Como condición para que se preste este servicio a domicilio, el producto debe encontrarse libre de obstrucciones y accesible para el agente de servicio. Si el servicio no está disponible, Samsung podrá optar por brindar el servicio de transporte del producto de ida y vuelta al centro de servicio.

SAMSUNG reparará o reemplazará el producto a nuestra discreción y sin cargo tal como se establece en la presente garantía, con piezas o productos nuevos o reacondicionados si se comprueba que es defectuoso durante el período limitado de la garantía especificado anteriormente. Todas las piezas y los productos reemplazados pasan a ser propiedad de SAMSUNG y deben ser devueltos a SAMSUNG. Las piezas y los productos reemplazados asumen la garantía original que resta, o noventa (90) días, el período que sea el más prolongado.

La presente garantía limitada cubre defectos de fabricación de los materiales y la mano de obra encontrados durante el uso normal y doméstico de este producto y no será válida para lo siguiente: daños que ocurran durante el envío; entrega e instalación; aplicaciones y usos para los cuales el presente producto no fue destinado; producto o números de serie alterados; daño cosmético o acabado exterior; accidentes, abuso, descuido, incendio, inundación, caída de rayos, u otros casos fortuitos o de fuerza mayor; uso de productos, equipo, sistemas, utilidades, servicios, piezas, suministros, accesorios, aplicaciones, instalaciones, reparaciones, cableado externo o conectores no provistos ni autorizados por SAMSUNG que dañen este producto o que acareen problemas en el servicio; voltaje de la línea eléctrica incorrecto, fluctuaciones y sobretensión; ajustes del cliente e incumplimiento de lo establecido en el manual de instrucciones sobre instrucciones de utilización, mantenimiento y ambientales que están cubiertas y recomendadas en el manual de instrucciones; desmontaje y reinstalación del producto; problemas causados por plagas; recalentamiento o exceso de cocción causado por el usuario. Esta garantía limitada no cubre casos de corriente, voltaje o alimentación eléctrica incorrectos, bombillas de luz, fusibles y cableado en la casa, el costo de las llamadas al servicio técnico para solicitar instrucciones, ni la corrección de errores de instalación. Tampoco están cubiertos los daños a la cubierta de vidrio causados por el uso de productos y elementos de limpieza distintos de los productos y almohadillas recomendadas, daños a la cubierta de vidrio causados por derrames endurecidos de sustancias azucaradas o plásticos fundidos que no hubiesen sido limpiados de acuerdo con las instrucciones incluidas en la guía de uso y cuidados. SAMSUNG no garantiza el funcionamiento ininterrumpido o sin errores del producto.

SALVO LO ESTABLECIDO EN ESTE DOCUMENTO, NO EXISTEN GARANTÍAS RESPECTO DE ESTE PRODUCTO NI EXPRESAS NI TÁCTAS Y SAMSUNG DESCONOCE Y RECHAZA TODA GARANTÍA INCLUIDAS, AUNQUE NO TAXATIVAMENTE ENUMERADAS, TODA GARANTÍA TÁCTA DE COMERCIABILIDAD, INFRACCIÓN O APTITUD PARA UN PROPÓSITO ESPECIAL. NINGUNA OTRA GARANTÍA OTORGADA POR PERSONA, COMPAÑÍA O CORPORACIÓN ALGUNA CON RESPECTO AL PRESENTE PRODUCTO REVESTIRÁ CARÁCTER VINCULANTE PARA SAMSUNG. SAMSUNG NO SERÁ RESPONSABLE POR PÉRDIDA DE INGRESOS O LUCRO CESANTE, IMPOSIBILIDAD DE GENERAR AHORROS U OBTENER OTROS BENEFICIOS, O CUALQUIER DAÑO DERIVADO DE CIRCUNSTANCIAS ESPECIALES, DAÑO IMPREVISTO O DERIVADO CAUSADO POR EL USO, USO INCORRECTO, O INCAPACIDAD PARA USAR EL PRESENTE PRODUCTO, INDEPENDIENTEMENTE DE LA TEORÍA LEGAL EN QUE SE FUNDE EL RECLAMO Y AUN CUANDO SE LE HAYA NOTIFICADO A SAMSUNG DE LA POSIBILIDAD DE TALES DAÑOS. NINGÚN RESARCIMIENTO DE NINGUNA ÍNDOLE CONTRA SAMSUNG SUPERARÁ EL MONTO DEL PRECIO DE COMPRA DEL PRODUCTO VENDIDO POR SAMSUNG Y CAUSANTE DEL PRESUNTO DAÑO. SIN LIMITAR LO PRECEDENTE, EL COMPRADOR ASUME TODO EL RIESGO Y LA RESPONSABILIDAD POR PÉRDIDA, DAÑO O LESIÓN AL COMPRADOR Y A LOS BIENES DEL COMPRADOR Y A TERCEROS Y A SUS BIENES DERIVADOS DEL USO, USO INCORRECTO O INCAPACIDAD PARA USAR EL PRESENTE PRODUCTO. LA PRESENTE GARANTÍA LIMITADA NO SE EXTENDERÁ A NINGUNA PERSONA DISTINTA DEL COMPRADOR ORIGINAL DEL PRESENTE PRODUCTO, ES INTRANSFERIBLE Y ESTABLECE SU EXCLUSIVA REPARACIÓN.

Algunos Estados no permiten limitaciones en cuanto al plazo de una garantía implícita, o la exclusión o limitación de daños imprevistos o derivados, por lo tanto las limitaciones o exclusiones antedichas pueden no aplicarse en su caso. Esta garantía le otorga derechos legales específicos, y además puede tener otros derechos que varían según el estado en el que se encuentre.

Para recibir un servicio técnico de garantía, comuníquese con SAMSUNG a:

Samsung Electronics Canada Inc.
2050 Derry Road West, Mississauga, Ontario L5N 0B9 Canada
1-800-SAMSUNG (726-7864) y www.samsung.com/ca/support (English)
www.samsung.com/ca_fr/support (French)



Escanee el código QR* o visite www.samsung.com/spsn para ver nuestros útiles videos instructivos y programas en vivo

*Requiere un lector instalado en su teléfono inteligente

Scan this with your smartphone

Tenga en cuenta que la garantía de Samsung NO cubre las llamadas de servicio para explicar el funcionamiento del producto, corregir una instalación inadecuada o realizar tareas de limpieza o mantenimiento.

¿TIENE PREGUNTAS O COMENTARIOS?

PAÍS	LLAME AL	O VISÍTENOS EN LÍNEA EN
U.S.A Consumer Electronics	1-800-SAMSUNG (726-7864)	www.samsung.com/us/support
CANADA	1-800-SAMSUNG (726-7864)	www.samsung.com/ca/support (English) www.samsung.com/ca_fr/support (French)



NE58F9500SS
NE58K9500SG

Manuel d'utilisation de la cuisinière électrique

un monde de possibilités

Nous vous remercions d'avoir choisi ce produit Samsung.

SAMSUNG

dispositif anti-basculement



AVERTISSEMENT - Afin d'éviter tout risque de basculement de la cuisinière, fixez-la correctement à l'aide d'un dispositif anti-basculement. **APRÈS AVOIR INSTALLÉ LA CUISINIÈRE, CONFIRMEZ QUE LE DISPOSITIF ANTI-BASCULEMENT EST BIEN INSTALLÉ ET VÉRIFIEZ QUE CE DERNIER EST BIEN FIXÉ.** Reportez-vous au manuel d'installation pour plus d'instructions.

- a) Si le dispositif anti-basculement n'est pas installé, un enfant ou un adulte peut faire basculer la cuisinière et être tué.
- b) Vérifiez que le dispositif anti-basculement ait été correctement installé et fixé sur l'arrière droit (ou arrière gauche) du dessous de la cuisinière.
- c) Si vous déplacez la cuisinière puis la remettez en place, assurez-vous que le dispositif anti-basculement est refixé à l'arrière droit ou gauche du dessous de l'appareil.
- d) N'utilisez pas la cuisinière si le dispositif anti-basculement n'est pas en place et bien fixé.
- e) Le non-respect de cette consigne peut entraîner des brûlures graves ou des blessures mortelles chez l'enfant et l'adulte.



AVERTISSEMENT

- Ne marchez pas, ne vous appuyez pas et ne vous asseyez pas sur la porte du four de la cuisinière.** L'appareil risquerait de basculer et provoquer de graves blessures.
- Confirmez que le dispositif anti-basculement est correctement installé. Puis, vérifiez que le dispositif anti-basculement est fixé, saisissez l'arrière de la cuisinière par le bord arrière et essayez de l'incliner vers l'avant avec précaution. Le dispositif anti-basculement empêche la cuisinière de trop basculer vers l'avant.

Si vous devez, pour une quelconque raison, retirer la cuisinière du mur, assurez-vous de bien emboîter le dispositif anti-basculement lorsque vous remettez la cuisinière en place contre le mur. Si le dispositif n'a pas été correctement installé, la cuisinière risque de basculer et de provoquer des blessures si une personne ou un enfant marche, s'assoit ou s'appuie sur la porte ouverte.

Ne retirez jamais complètement les pieds de mise à niveau. Si vous retirez les pieds de mise à niveau, la cuisinière ne sera pas fixée correctement au dispositif anti-basculement.

sommaire

CONSIGNES DE SÉCURITÉ IMPORTANTES	5	Consignes de sécurité importantes
INSTALLATION DU FOUR	18	18 A propos de cette section 18 Pour votre sécurité
PRÉPARATION AVANT L'INSTALLATION DE LA CUISINIÈRE	19	19 Retirer l'emballage 19 Préparation des outils et des pièces 20 Vérification du site d'installation
MISE SOUS TENSION	22	22 Étape 1 : Respect des exigences en matière de raccordements électriques 23 Étape 2 : Accès au branchement du cordon d'alimentation 24 Étape 3 : Installation du cordon d'alimentation 26 Étape 4 : Installation de la gaine 27 Étape 5 : Remise en place du panneau d'accès
INSTALLATION DE LA CUISINIÈRE	28	28 Installation du dispositif anti-basculement 29 Finalisation de l'installation
PRÉSENTATION DE VOTRE NOUVELLE CUISINIÈRE	30	30 Présentation 30 Accessoires fournis
AVANT DE COMMENCER	31	31 Avant de commencer
DÉMARRAGE	31	31 Réglage de l'horloge 31 Modes d'affichage du panneau de commande 32 Activation et désactivation de l'éclairage du four 32 Verrouillage des commandes 32 Réglage de la minuterie

sommaire

TABLE DE CUISSON

33

- 33 A propos de la table de cuisson
- 35 Comment régler la cuisinière pour utiliser la table de cuisson ?
- 37 Utilisation des ustensiles de cuisine appropriés
- 37 Choix des ustensiles de cuisine appropriés
- 38 Protection de la surface lisse

UTILISATION DU FOUR

39

- 39 Tableau de commande du four
- 40 Utilisation des grilles du four
- 42 Réglages minimum et maximum
- 42 Faire cuire
- 43 Cuisson par convection
- 44 Rôtissage par convection
- 44 Cuisson minutée
- 45 Départ différé
- 46 Cuisson au gril
- 47 Utilisation de la fonction cuisson favorite
- 47 Utilisation de la fonction cuisson saine
- 50 Utilisation de la fonction de maintien au chaud
- 50 Utilisation de la fonction de pain précuit
- 51 Utilisation de la fonction des options
- 53 Utilisation de la sonde thermique
- 55 Réglage de la fonction shabbat

ENTRETIEN DE VOTRE APPAREIL

56

- 56 Auto-nettoyage
- 58 Nettoyage vapeur
- 59 Entretien et nettoyage du four
- 60 Entretien et nettoyage de la table de cuisson vitrée
- 63 Retrait et remise en place de la porte du four
- 64 Retrait et remise en place du tiroir de rangement
- 65 Remplacement de l'ampoule du four

DÉPANNAGE

66

- 66 Dépannage

GARANTIE

70

- 70 Garantie (États-Unis)
- 71 Garantie (CANADA)

consignes de sécurité importantes












Lisez et suivez toutes les consignes avant d'utiliser votre four afin d'éviter tout risque d'incendie, d'électrocution, de blessure ou de dommage lors de l'utilisation de la cuisinière. Le présent guide ne couvre pas toutes les situations susceptibles de se produire. Contactez toujours votre réparateur ou le fabricant en cas de fonctionnement anormal de l'appareil.

CE QUE VOUS DEVEZ SAVOIR SUR LES CONSIGNES DE SÉCURITÉ

Les avertissements et les consignes de sécurité importantes contenus dans ce manuel ne sont pas exhaustifs. Il est de votre responsabilité de faire appel à votre bon sens et de faire preuve de prudence et de minutie lors de l'installation, de l'entretien et de l'utilisation du four.

SYMBOLES DE SÉCURITÉ IMPORTANTS ET PRÉCAUTIONS

Signification des icônes et des symboles utilisés dans ce manuel :

 AVERTISSEMENT	Risques ou manipulations dangereuses susceptibles d'entraîner des blessures graves, voire mortelles.
 ATTENTION	Risques ou manipulations dangereuses susceptibles d'entraîner des blessures légères ou des dégâts matériels.
 ATTENTION	Afin de réduire les risques d'incendie, d'explosion, d'électrocution ou de blessures lors de l'utilisation du four, vous devez respecter ces règles de sécurité de base.
	Interdit.
	NE PAS démonter.
	NE PAS toucher.
	Suivez scrupuleusement les consignes.
	Débranchez la prise murale.
	Assurez-vous que l'appareil est relié à la terre afin d'éviter tout risque d'électrocution.
	Contactez le service d'assistance technique.
	Remarque

Les icônes et symboles d'avertissement sont là pour éviter que vous ou d'autres personnes ne se blessent.

Veillez à bien en respecter les consignes.

Après lecture de cette rubrique, conservez le manuel dans un endroit sûr afin de pouvoir le consulter ultérieurement.

AVERTISSEMENT CONCERNANT LA PROPOSITION 65 DE L'ÉTAT DE LA CALIFORNIE (ÉTATS-UNIS UNIQUEMENT)

AVERTISSEMENT : Cet appareil contient des produits chimiques connus de l'État de la Californie pour causer le cancer et des anomalies congénitales ou des effets nocifs sur la reproduction.

POUR VOTRE SÉCURITÉ

Lorsque vous utilisez des appareils électriques, respectez les consignes de sécurité de base suivantes :



Utilisez cet appareil uniquement pour l'usage auquel il est destiné (tel que décrit dans ce manuel d'utilisation).

Les surfaces potentiellement chaudes comprennent la table de cuisson, les zones faisant face à la table de cuisson, l'orifice de ventilation du four, les surfaces situées à proximité de cette ouverture et les rainures situées autour de la porte du four.



Assurez-vous que votre appareil est correctement installé et mis à la terre par un technicien qualifié.



Dépannage utilisateur Ne réparez ni ne remplacez jamais les pièces de l'appareil vous-même, sauf si le présent manuel vous y autorise. Toute autre réparation devra être effectuée par un technicien qualifié.



Eteignez toujours l'appareil avant de procéder à une réparation, en retirant le fusible ou en coupant le disjoncteur.



Ne pénétrez pas à l'intérieur du four.

Ne rangez pas d'objets susceptibles d'éveiller l'intérêt des enfants dans les placards situés au-dessus de la cuisinière ou sur le dossier de la cuisinière Les enfants risquent, en grimpant sur la cuisinière pour les atteindre, de se blesser gravement.

Ne laissez pas les enfants seuls. Ne laissez jamais un enfant sans surveillance dans la pièce où est installé l'appareil. Ne les autorisez jamais à monter sur une quelconque partie de l'appareil.

N'utilisez jamais l'appareil pour chauffer une pièce.

N'utilisez pas d'eau pour éteindre les flammes de friture. Éteignez le four pour éviter leur propagation. Éteignez le feu en fermant la porte ou en utilisant un extincteur à poudre, à mousse ou à dioxyde de carbone.

Évitez de rayer ou de heurter les portes en verre, les surfaces de cuisson ou les tableaux de commande. Le verre pourrait se briser. N'effectuez pas de cuisson avec un verre brisé. Vous risquez une électrocution, un incendie ou des coupures.

- ☐ Dans le cas d'un incendie dans le four pendant la cuisson, étouffez le feu en fermant la porte du four et en coupant l'alimentation du four ou en utilisant un produit chimique sec multi-usage ou un extincteur de type à mousse.

S'il se produit un incendie pendant l'auto-nettoyage du four, coupez l'alimentation et attendez que le feu s'éteigne. Ne forcez jamais l'ouverture de la porte. L'introduction d'air frais à des températures d'auto-nettoyage peut provoquer un embrasement du four. Le non-respect de cette consigne risque d'entraîner de graves brûlures.

En cas de taches de graisse importantes, activez la fonction d'auto-nettoyage avant d'utiliser le four à nouveau. Laisser de l'huile à l'intérieur génère un risque d'incendie. Essuyez les éclaboussures importantes sur le fond du four avec un papier d'essuyage ou un chiffon avant de démarrer le cycle d'auto-nettoyage. L'auto-nettoyage du four lorsqu'il y a des taches de graisse importantes sur le fond nécessite des cycles de nettoyage plus longs et produit plus de fumée.

- ★ **Stockage à l'intérieur ou sur le dessus de l'appareil.** N'entreposez aucun matériau inflammable dans ou à proximité du four. Retirez tous les éléments d'emballage de l'appareil avant de l'utiliser. Maintenez tout objet en plastique, vêtement et papier à distance des pièces susceptibles d'être chaudes.

Portez les vêtements appropriés. Ne portez jamais de vêtements amples lorsque vous utilisez cet appareil.

Utilisez uniquement des maniques sèches. L'utilisation de maniques humides ou mouillées sur les surfaces chaudes peut entraîner des brûlures en raison de la vapeur qui se dégage à ce moment-là. Les maniques ne doivent pas entrer en contact avec les éléments chauffants. N'utilisez pas de serviette ou de chiffon de grande taille sur ou à proximité de la cuisinière.

Apprenez aux enfants à ne pas jouer avec les commandes ou les autres éléments de la cuisinière.

Pour votre sécurité, n'utilisez pas de nettoyeurs haute pression, eau ou vapeur, sur aucune partie de la cuisinière.

Si le cordon d'alimentation de l'appareil est endommagé, il devra être remplacé par le fabricant, son réparateur agréé ou par toute personne qualifiée afin d'éviter de créer un danger.

Cet appareil n'est pas conçu pour être utilisé par des personnes (y compris les enfants) inexpérimentées ou dont les capacités physiques, sensorielles ou mentales sont réduites, sauf si celles-ci sont sous la surveillance ou ont reçu les instructions d'utilisation appropriées de la personne responsable de leur sécurité.

Ne vous appuyez pas sur la cuisinière car vous risqueriez de tourner malencontreusement les boutons de commande.

TABLES DE CUISSON

- ☐ **Ne laissez jamais la table de cuisson sans surveillance lorsqu'un foyer fonctionne à puissance élevée.** En cas de débordement, les particules graisseuses provenant des aliments risquent de s'enflammer.

Pour éviter le débordement d'huile et un incendie, employez une quantité minimale d'huile dans une poêle peu profonde et évitez de faire cuire les aliments surgelés avec des quantités excessives de glace.

Ne soulevez pas la table de cuisson. Vous risqueriez de l'endommager et de provoquer des dysfonctionnements.

Ne faites jamais fonctionner la table de cuisson sans récipient. Si vous utilisez la surface de cuisson sans récipient, les boutons de commande deviendront brûlants.

N'utilisez jamais la table de cuisson vitrée comme planche à découper.

- ★ **Soyez prudent lorsque vous touchez la table de cuisson.** La surface vitrée restera chaude quelques minutes même après l'arrêt de la cuisson.

Posez les ustensiles de cuisine sur la table de cuisson avec précaution, surtout lorsque celle-ci fonctionne. Ils pourraient devenir chauds et provoquer des brûlures.

Utilisez des plats de taille appropriée. La cuisinière est dotée de foyers de différentes tailles. Utilisez des casseroles et des poêles à fond plat, suffisamment larges pour recouvrir toute la surface de chauffe. L'utilisation d'ustensiles de taille trop petite exposerait une partie de l'élément chauffant à un risque de contact et d'inflammation (ex. : tissu). Des casseroles et des poêles de taille adéquate augmenteront en outre l'efficacité de la cuisson.

Le manche des ustensiles doit être dirigé vers l'intérieur et non au-dessus des foyers adjacents – Afin de réduire tout risque de brûlure, d'inflammation et de projections dû à un contact accidentel avec les ustensiles, dirigez leur manche vers l'intérieur et non au-dessus des foyers adjacents.

Ustensiles de cuisson en faïence. Afin d'éviter tout risque de fêlure lié au brusque changement de température, seuls certains récipients en verre, vitrocéramique, céramique, terre cuite ou faïence peuvent être utilisés sur cette table de cuisson.

Orientez toujours le manche des ustensiles vers l'extérieur et non au-dessus des foyers voisins. Afin de réduire tout risque de brûlure, d'inflammation et de projections dû à un contact accidentel avec les ustensiles, dirigez toujours le manche du récipient vers l'extérieur et non au-dessus des foyers voisins.

Nettoyage. Suivez les consignes et avertissements figurant sur les étiquettes des produits nettoyeurs.

Assurez-vous que vous savez quel bouton de commande correspond à chaque foyer. Assurez-vous toujours d'avoir allumé le bon foyer.

Éteignez toujours le foyer avant de retirer la casserole.

Si vous préparez des aliments qui s'enflamment sous la hotte, activez la ventilation.

- ★ Surveillez les aliments frits à température élevée ou moyenne.

NE stockez PAS d'objets lourds au-dessus de la table de cuisson qui pourraient tomber et l'endommager.

N'utilisez PAS de caches décoratifs sur les éléments de la table – Si un élément est allumé accidentellement, le couvercle décoratif peut devenir chaud ou fondre. Des brûlures peuvent se produire si les caches chauds sont manipulés. La table de cuisson peut également être endommagée.

Ne déplacez pas le récipient et le bol dans une position horizontale sur la table de cuisson.

SÉCURITÉ ÉLECTRIQUE

- ★ **Installation correcte** : assurez-vous que votre appareil est correctement installé et mis à la terre par un technicien qualifié.

L'entretien de cet appareil doit impérativement être effectué par une main d'œuvre qualifiée. Des réparations effectuées par des personnes non qualifiées peuvent causer des blessures corporelles ou des dégâts matériels graves. Si votre cuisinière nécessite des réparations, contactez un service d'assistance technique agréé Samsung. Le non respect de ces instructions peut provoquer des dommages et entraîner l'annulation de la garantie.

Les appareils encastrés ne doivent être mis en marche qu'après avoir été installés dans un meuble ou un lieu de travail conforme aux codes électriques et de construction en vigueur. Cela garantit une installation des appareils conforme aux normes de sécurité appropriées.

En cas de dysfonctionnement ou de détérioration (cassure, fêlure) de l'appareil :

- éteignez toutes les zones de cuisson.
- débranchez la cuisinière de la prise murale CA
- contactez le service d'assistance technique le plus proche.



AVERTISSEMENT- Si la surface est fendue, éteignez et débranchez l'appareil afin d'éviter tout risque d'électrocution. N'utilisez pas la table de cuisson tant que la surface vitrée n'a pas été remplacée.



AVERTISSEMENT : afin d'éviter tout risque d'électrocution, veillez à ce que l'appareil soit hors tension avant de procéder au remplacement de l'ampoule.

La cuisinière ne doit pas être placée sur un socle.

SÉCURITÉ ENFANTS



AVERTISSEMENT : cet appareil n'est pas conçu pour être utilisé par des jeunes enfants ou des personnes invalides non assistés par un adulte responsable.

Les jeunes enfants ne doivent pas utiliser l'appareil sans la surveillance d'un adulte.

Maintenez les enfants éloignés du four lorsque vous ouvrez ou fermez la porte. Ils pourraient être heurtés par la porte lorsque vous l'ouvrez ou se pincer les doigts dans la porte lorsque vous la fermez.

Les zones de cuisson chauffent lorsque vous cuisinez. Pour éviter aux jeunes enfants d'être brûlés, maintenez-les toujours éloignés de l'appareil lorsque vous cuisinez.

Pendant l'auto-nettoyage, les surfaces de la cuisinière peuvent dépasser leur température habituelle. Pour éviter aux jeunes enfants d'être brûlés, maintenez-les toujours éloignés de la cuisinière lorsqu'elle est en mode d'auto-nettoyage.



AVERTISSEMENT : les parties accessibles peuvent devenir très chaudes pendant l'utilisation. Les enfants en bas âge doivent être tenus à l'écart de l'appareil afin d'éviter toute brûlure.

FOUR



NE TOUCHEZ PAS LES ÉLÉMENTS CHAUFFANTS OU LES SURFACES INTERNES

DU FOUR. Les éléments chauffants peuvent être chauds même s'ils sont noirs. Les surfaces internes d'un four deviennent suffisamment chaudes pour provoquer des brûlures. Pendant et après le fonctionnement, ne touchez pas les éléments chauffants et les surfaces internes du four et ne laissez aucun vêtement ou produit inflammable entrer en contact avec ces derniers tant qu'ils n'ont pas refroidis. Certaines autres surfaces du four peuvent devenir chaudes au point de provoquer des brûlures. Il s'agit des orifices de ventilation du four et surfaces situées à proximité de ces orifices, de la porte du four et de la vitre de la porte du four.

Ne faites pas chauffer des aliments contenus dans des contenants fermés.

L'accumulation de pression pourrait faire exploser le contenant et provoquer des blessures.

N'utilisez pas le four pour faire sécher des journaux. S'ils sont surchauffés, ils risquent de s'enflammer.


N'utilisez pas le four comme espace de rangement. Les éléments rangés dans le four peuvent s'enflammer.



Soyez prudent lorsque vous ouvrez la porte. Laissez l'air chaud ou la vapeur s'échapper avant de retirer les aliments du four ou de les placer à l'intérieur.

Couches protectrices. N'utilisez pas de papier d'aluminium pour recouvrir la sole du four, sauf si les instructions le suggèrent. Une installation inappropriée de ces couches protectrices est susceptible de provoquer une décharge électrique ou un incendie.

N'obstruez pas les conduits de ventilation du four. La ventilation du four se situe sous le boîtier de commande. Pendant le fonctionnement du four, cette zone peut devenir extrêmement chaude. N'obstruez jamais cette ouverture et n'y placez pas de matière plastique ou d'éléments sensibles à la chaleur.

 **Insertion des grilles du four.** Placez toujours les grilles du four à la hauteur appropriée tant que le four est encore froid. Si vous devez déplacer une grille alors que le four est chaud, utilisez des maniques. Les poignées des récipients ne doivent jamais toucher les éléments chauffants du four.

 L'aluminium ou la sonde thermique ne doit pas toucher les éléments chauffants.

Cet appareil devient très chaud pendant son utilisation. Prenez garde à ne pas toucher les éléments chauffants situés à l'intérieur du four.

N'utilisez pas de nettoyeurs fortement abrasifs ou de grattoirs métalliques pointus pour nettoyer le verre de la porte de four. Ils sont susceptibles de rayer la surface et avoir comme conséquence l'éclatement en verre.

Dans le cas d'un incendie dans le four pendant la cuisson, étouffez le feu en fermant la porte du four et en coupant l'alimentation du four ou en utilisant un produit chimique sec multi-usage ou un extincteur de type à mousse.



N'essayez pas d'utiliser le four pendant une panne de courant. En cas de panne de courant, arrêtez toujours le four. Si le four n'est pas arrêté et que l'alimentation est rétablie, le four peut commencer à fonctionner à nouveau. Les aliments laissés sans surveillance peuvent s'enflammer ou s'altérer.

FOURS AUTO-NETTOYANTS

 **Ne nettoyez jamais le joint de la porte.** Le joint de la porte est indispensable pour assurer une bonne étanchéité. Veillez à ne pas frotter, endommager ni déplacer le joint.

 **Ne laissez jamais vos oiseaux de compagnie dans la cuisine.** Les oiseaux sont extrêmement sensibles à la fumée émise durant les cycles d'auto-nettoyage du four. La fumée peut être dangereuse, voire mortelle pour les oiseaux. Déplacez les oiseaux dans une pièce bien aérée.

Procédez uniquement au cycle d'auto-nettoyage des éléments mentionnés dans le manuel. Avant de procéder à l'auto-nettoyage du four, retirez la plaque de séparation, la grille, les ustensiles et les aliments.

Avant d'actionner le cycle d'auto-nettoyage, essuyez la graisse et les résidus alimentaires dans le four. Une quantité excessive de graisse peut s'enflammer, provoquant de la fumée dommageable pour votre intérieur.

Aucun nettoyant ou revêtement de protection pour four disponible dans le commerce ne doit être utilisé pour l'intérieur ou l'extérieur du four. Utilisez uniquement un nettoyant céramique pour la table de cuisson.

Retirez les grilles en nickel avant de démarrer le cycle d'auto-nettoyage du four afin d'éviter qu'elles ne se décolorent.

Si le mode d'auto-nettoyage ne fonctionne pas, éteignez le four et débranchez-le de la prise d'alimentation. Faites-le réparer par un technicien qualifié.

Nettoyez les projections les plus importantes avant le nettoyage.

HOTTE D'ASPIRATION

- ★ **Nettoyez fréquemment la hotte d'aspiration.** Ne laissez pas la graisse s'accumuler sur la hotte ou le filtre.

Si les aliments situés sur la cuisinière s'enflamment, activez la ventilation.

TABLE DE CUISSON EN VITROCÉRAMIQUE

- ☐ **NE TOUCHEZ PAS LES FOYERS OU LES ZONES SITUÉES À PROXIMITÉ.**
La surface des foyers peut rester chaude même si ces derniers n'apparaissent pas rouges. Les zones situées à proximité de ces éléments peuvent devenir chaudes au point de provoquer des brûlures. Pendant et après le fonctionnement de la cuisinière, ne touchez pas les foyers ou les zones situées à proximité des foyers et évitez que des vêtements ou produits inflammables n'entrent en contact avec ces derniers tant qu'ils n'ont pas entièrement refroidi. Ces zones incluent notamment la table de cuisson et les zones situées face à la table de cuisson.

Ne faites rien cuire sur une table de cuisson brisée. Si la table de cuisson est cassée, vous risquez de vous électrocuter en la nettoyant ou en cuisinant dessus. Contactez immédiatement un technicien qualifié.

- ★ **Nettoyez la table de cuisson avec précaution.** Si vous utilisez une éponge ou un chiffon humide pour essuyer la table de cuisson encore chaude, veillez à ne pas vous brûler avec la vapeur. Certains nettoyeurs peuvent former des fumées toxiques s'ils sont appliqués sur une surface chaude.



AVERTISSEMENT

AVERTISSEMENTS IMPORTANTS RELATIFS À L'INSTALLATION

- ★ Cet appareil doit être installé par un technicien qualifié ou une société de dépannage.

- Le non-respect de cette consigne peut provoquer une électrocution, un incendie, une explosion, un dysfonctionnement de l'appareil ou des blessures.

Déballer l'appareil. Retirez tous les éléments d'emballage et vérifiez que le four n'est pas endommagé (traces de choc à l'intérieur ou à l'extérieur, loquets cassés, fissures au niveau de la porte ou porte mal alignée). En cas de dommages, n'installez pas ni n'utilisez pas le four et contactez immédiatement votre revendeur.

Branchez le cordon d'alimentation sur une prise adaptée correctement reliée à la terre. Ne branchez aucun autre appareil électrique sur ce même circuit.

Gardez tous les éléments d'emballage hors de la portée des enfants. Ceux-ci risqueraient de les utiliser pour jouer et se blesser.

Installez votre appareil sur un revêtement plat et dur, capable de supporter son poids.

- Le non-respect de cette consigne risque d'entraîner des vibrations anormales, des bruits ou d'autres problèmes avec l'appareil.



Cet appareil doit être correctement relié à la terre.

Ne reliez jamais cet appareil à une conduite de gaz, à un tuyau d'eau en plastique ou à une ligne téléphonique.

- Cela pourrait entraîner un risque d'électrocution, d'incendie, d'explosion ou de défaillance de l'appareil.

Ne coupez ni ne retirez JAMAIS la broche de mise à la terre de la fiche du cordon d'alimentation.

Assurez-vous que l'ampérage de la prise sur laquelle est branché l'appareil est adapté.



N'installez pas cet appareil dans un endroit humide, grasseux ou poussiéreux et veillez à ce qu'il ne soit pas exposé directement à la lumière du soleil ou à une source d'eau (eau de pluie).

- Cela pourrait entraîner un risque d'électrocution ou d'incendie.

N'utilisez jamais un cordon d'alimentation endommagé ou une prise murale mal fixée.

- Cela pourrait entraîner un risque d'électrocution ou d'incendie.

Ne tirez jamais sur le cordon d'alimentation et ne le pliez pas de façon excessive.

Ne vrillez et ne serrez pas le cordon d'alimentation.

N'accrochez pas le cordon d'alimentation sur un objet métallique ; ne placez pas d'objet lourd sur le cordon d'alimentation ; n'insérez pas le cordon d'alimentation entre des objets.

- Cela pourrait entraîner un risque d'électrocution ou d'incendie.



Si le cordon d'alimentation est endommagé, contactez le centre de dépannage le plus proche.



ATTENTION

AVERTISSEMENTS IMPORTANTS RELATIFS À L'UTILISATION



En cas d'inondation, si votre appareil a été en contact avec l'eau, veuillez contacter le centre de dépannage le plus proche. Le non-respect de cette consigne peut entraîner un risque d'électrocution ou d'incendie.

Si l'appareil génère un bruit anormal, une odeur de brûlé ou de la fumée, débranchez immédiatement la prise et contactez le service de dépannage le plus proche.

- Le non-respect de cette consigne peut entraîner un risque d'électrocution ou d'incendie.

En cas de fuite de gaz (propane, GPL, etc.), aérez immédiatement la pièce. Ne touchez pas non plus l'appareil. Ne touchez pas non plus l'appareil.

- Une étincelle peut provoquer une explosion ou un incendie.

Prenez garde à ne pas toucher la porte du four, les éléments chauffants ou toute autre partie de l'appareil susceptible d'avoir chauffé.

- Le non-respect de cette consigne risque d'entraîner des brûlures.

En cas de départ de feu à l'intérieur du four, laissez sa porte fermée, éteignez l'appareil et débranchez la prise ou coupez l'alimentation au niveau du tableau de fusibles ou du disjoncteur. Si vous ouvrez la porte du four, l'incendie risque de se propager.

- ★ Respectez systématiquement les consignes de sécurité lorsque vous utilisez votre four. Ne tentez jamais de réparer vous-même l'appareil ; le courant électrique circulant à l'intérieur est très élevé. Si le four nécessite des réparations, contactez un centre de dépannage agréé proche de chez vous.

Si vous utilisez l'appareil alors qu'il est contaminé par des substances étrangères (ex. : résidus d'aliments), vous risquez de l'endommager.

Retirez l'emballage des aliments avec précaution lorsque vous sortez ces derniers du four.

- Si les aliments sont chauds, de la vapeur chaude peut s'échapper soudainement lorsque vous en retirez l'emballage, et vous risquez de vous brûler.

- ☐ Ne tentez pas de réparer, démonter ou modifier vous-même l'appareil.
 - Le châssis de l'appareil étant traversé par un courant à haute tension, il existe un risque d'électrocution ou d'incendie.
 - Si le four nécessite des réparations, contactez le centre de dépannage le plus proche de chez vous.
- ☑ Si une substance étrangère telle que de l'eau pénètre dans l'appareil, contactez le centre de dépannage le plus proche.
 - Le non-respect de cette consigne peut entraîner un risque d'électrocution ou d'incendie.
- ☐ Ne manipulez pas le cordon d'alimentation avec les mains mouillées.
 - Cela pourrait entraîner un risque d'électrocution.

N'éteignez pas l'appareil s'il est en cours de fonctionnement.

- Cela pourrait provoquer une étincelle et entraîner un risque d'électrocution ou d'incendie.

Conservez tous les matériaux d'emballage hors de portée des enfants : les matériaux d'emballage présentent un danger pour les enfants.

- Risque d'asphyxie avec les sacs plastique notamment.

Ne laissez pas les enfants ou toute personne à capacités physiques, sensorielles ou mentales réduites utiliser cet appareil sans surveillance.

Veillez à ce que les commandes et les zones de cuisson du four soient hors de portée des enfants.

- Le non-respect de cette consigne peut entraîner un risque d'électrocution, d'incendie ou de blessures.

Ne touchez pas l'intérieur du four juste après son fonctionnement ; les éléments sont encore brûlants.

- Le non-respect de cette consigne risque d'entraîner des brûlures.


N'utilisez et n'entreposez pas d'aérosols ou d'objets inflammables à proximité du four.

- Les matériaux inflammables et les aérosols peuvent créer un incendie ou une explosion.

N'insérez pas vos doigts, de substances étrangères ou d'objets métalliques tels que des épingles ou des aiguilles dans l'entrée, la sortie et les orifices de l'appareil. En cas d'insertion de substances étrangères dans l'une de ces ouvertures, contactez votre fournisseur ou le centre de dépannage le plus proche.

N'essayez pas de modifier, d'ajuster ou de réparer la porte. NE retirez JAMAIS la porte ou l'habillage du four.

N'entreposez et n'utilisez jamais le four en extérieur.

-  Cet appareil ne doit jamais être utilisé à d'autres fins que la cuisson.
- Si vous vous servez de l'appareil pour un autre usage que celui auquel il est destiné, vous risquez de provoquer un incendie.

Ôtez le couvercle ou le bouchon des récipients fermés (bouteilles de thé aux herbes, biberons, bouteilles de lait, etc.) avant de les réchauffer. Faites un trou avec un couteau dans les aliments contenant des coquilles (œufs, châtaignes, etc.) avant de les cuisiner.

- Le non-respect de cette consigne risque d'entraîner des brûlures ou des blessures.

Ne faites jamais chauffer des récipients en plastique ou en papier et ne les utilisez pas pour la cuisson.

- Le non-respect de cette consigne risque d'entraîner un incendie.

Ne faites pas chauffer d'aliments emballés dans du papier tel que des pages de magazine ou du journal, etc.

- Cela pourrait provoquer un incendie.

N'ouvrez pas la porte si les aliments à l'intérieur du four sont en flammes.

- Si vous ouvrez la porte, de l'oxygène pénétrera à l'intérieur et cela risque de provoquer un incendie.

N'exercez pas de pression excessive sur la porte ou à l'intérieur de l'appareil. Évitez tout choc sur la porte ou à l'intérieur de l'appareil.

- S'accrocher à la porte de l'appareil risque de le faire basculer et de provoquer de graves blessures.
- Si la porte du four est endommagée, ne vous servez pas de l'appareil. Contactez un centre d'assistance technique.


Ne touchez pas les aliments pendant ou immédiatement après la cuisson.

- Utilisez des maniques afin d'éviter toute brûlure.
- Utilisez une manique ou des gants, les surfaces des poignées et du four peuvent être suffisamment chaudes pour provoquer des brûlures après cuisson.



ATTENTION

AVERTISSEMENTS RELATIFS À L'UTILISATION

-  Si la surface du four est fissurée, n'utilisez pas l'appareil.
- Le non-respect de cette consigne risque d'entraîner une électrocution.

Les plats et récipients peuvent devenir extrêmement chauds. Manipulez-les avec précaution.

Les plats chauds et la vapeur peuvent provoquer des brûlures. Retirez le couvercle des récipients avec précaution en veillant à éloigner ces derniers de votre visage et de vos mains afin d'éviter que le dégagement de vapeur ne vous brûle.

Retirez les couvercles des petits pots pour bébé avant de les faire chauffer. Lorsque vous réchauffez des aliments pour bébé, remuez-les bien pour répartir la chaleur uniformément. Testez toujours la température des aliments avant de les donner à un bébé. Contrairement à ce qu'il paraît, le récipient en verre ou la surface des aliments peuvent être chauds au point de brûler la bouche du bébé.

★ Soyez prudent car les boissons ou aliments peuvent être très chaud(e)s après avoir été réchauffé(e)s.

- Vérifiez que les aliments ont suffisamment refroidi avant de les donner aux jeunes enfants.

Montrez-vous particulièrement vigilant lorsque vous faites chauffer des liquides (ex. : eau ou autres boissons).

- Veillez à remuer pendant ou après la cuisson.
- Évitez d'utiliser des récipients glissants à goulot étroit.
- Attendez au moins 30 secondes après la cuisson avant de retirer le liquide qui vient d'être chauffé.
- Le non-respect de cette consigne risque de provoquer un soudain débordement de son contenu et d'entraîner des brûlures.

☒ Ne montez pas sur l'appareil et ne placez pas d'objets (ex. : linge, couvercle de four, bougies allumées, cigarettes allumées, plats, produits chimiques, objets métalliques, etc.) dessus.

- Des articles peuvent rester coincés dans la porte.
- Cela pourrait entraîner un risque d'électrocution, d'incendie, de défaillance de l'appareil ou des blessures.

N'utilisez pas l'appareil avec les mains mouillées.

- Cela pourrait entraîner un risque d'électrocution.

Ne vaporisez pas de substances volatiles (ex. : insecticide) sur la surface de l'appareil.

- Ces substances sont non seulement nocives pour la santé, mais elles peuvent également entraîner une électrocution, un incendie ou une défaillance de l'appareil.

N'approchez pas votre visage ou votre corps de l'appareil pendant la cuisson ou lors de l'ouverture de la porte du four juste après la cuisson.

- Veillez à ce que les enfants ne s'approchent pas trop près de l'appareil.
- Le non-respect de cette consigne risque d'entraîner des brûlures pour les enfants.

Ne posez pas d'aliments ou d'objets lourds sur la porte lorsque celle-ci est ouverte.

- Vous risqueriez de vous brûler ou de vous blesser si les objets chutaient.

Ne créez pas de choc thermique brutal au niveau de la porte, de l'intérieur de l'appareil ou du plat (ex. : en versant de l'eau dessus pendant ou juste après la cuisson).

- Cela risque d'endommager l'appareil. La vapeur ou les projections d'eau pourraient entraîner des brûlures ou des blessures.

Ne faites jamais fonctionner l'appareil à vide, sauf en mode d'auto-nettoyage.

N'utilisez pas le four ou la table de cuisson pour décongeler des boissons surgelées contenues dans des bouteilles à col étroit. Celles-ci risqueraient d'éclater.

Ne rayez pas la surface vitrée de la porte du four à l'aide d'un objet tranchant.

- Cela pourrait endommager, voire briser la vitre.

Ne posez rien sur l'appareil lorsque celui-ci fonctionne.

- ☐ N'utilisez pas de récipients fermés hermétiquement. Retirez les opercules et les couvercles avant la cuisson. Les récipients fermés hermétiquement peuvent exploser en raison de l'accumulation de pression, même après l'arrêt du four.

Veillez à ce que les aliments ne touchent pas les éléments chauffants du four.

- Cela pourrait provoquer un incendie.

Ne faites pas surchauffer les aliments.

- Cela pourrait provoquer un incendie.



AVERTISSEMENTS IMPORTANTS RELATIFS AU NETTOYAGE

- ☑ Ne nettoyez pas l'appareil en pulvérisant directement de l'eau dessus.

N'utilisez pas de benzène, de diluant ou d'alcool pour nettoyer l'appareil.

- Cela pourrait entraîner une décoloration, une déformation, des dommages sur l'appareil ainsi qu'un risque d'électrocution ou d'incendie.

Prenez garde à ne pas vous blesser en nettoyant l'appareil (extérieur/intérieur).

- Les arêtes de celui-ci peuvent se révéler très tranchantes.

Ne nettoyez pas l'appareil à l'aide d'un nettoyeur vapeur.

- Cela pourrait entraîner un phénomène de corrosion.

Veillez à maintenir l'intérieur du four toujours propre. Les particules d'aliments ou les projections d'huile adhérant aux parois risquent d'abîmer le four ou d'en réduire son efficacité.

installation du four

A PROPOS DE CETTE SECTION

LISEZ ENTièrement ET ATTENTIVEMENT CES INSTRUCTIONS.

Note importante destinée à l'installateur

- Lisez l'intégralité des consignes d'installation avant d'installer la cuisinière.
- Retirez tous les éléments d'emballage des compartiments du four avant de raccorder la cuisinière à l'alimentation électrique.
- Respectez tous les codes et règlements en vigueur.
- Assurez-vous de laisser ces instructions à l'utilisateur.

Note importante destinée à l'utilisateur

Conservez précieusement ces instructions afin que la personne chargée du contrôle électrique puisse s'y reporter.

- Comme pour tout appareil générant de la chaleur, certaines consignes de sécurité sont à respecter.
- Assurez-vous que votre appareil est correctement installé et mis à la terre par un installateur qualifié ou un technicien spécialisé.
- Assurez-vous que les revêtements muraux situés à proximité de l'appareil peuvent résister à la chaleur générée par celui-ci.
- Pour éliminer le besoin de passer au-dessus de la surface des foyers, évitez d'avoir un meuble de rangement situé au-dessus de la table de cuisson.
- La cuisinière ne doit pas être placée sur un socle.

POUR VOTRE SÉCURITÉ



AVERTISSEMENT Si vous ne respectez pas scrupuleusement les informations contenues dans ce manuel, vous risquez de provoquer un incendie ou un choc électrique et, par conséquent, des dégâts matériels, blessures ou accidents mortels.



AVERTISSEMENT Avant de démarrer l'installation, coupez l'alimentation au panneau de commande et verrouillez l'interrupteur permettant la mise hors tension ; cette précaution évitera toute mise sous tension accidentelle de l'appareil. Si vous ne parvenez pas à verrouiller l'interrupteur permettant la mise hors tension, fixez fermement au panneau de commande un dispositif d'avertissement bien visible.

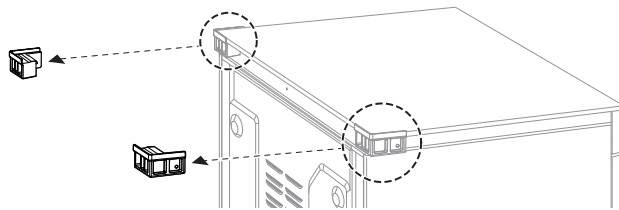


AVERTISSEMENT Cet appareil doit être correctement mis à la terre.

préparation avant l'installation de la cuisinière

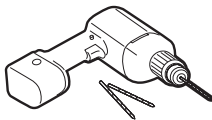
RETIRER L'EMBALLAGE

Retirez le matériel d'emballage. Retirez l'encadrement de soutien situé à l'arrière de la vitre de la table de cuisson. Tout matériel d'emballage non retiré risque d'endommager l'appareil.



PRÉPARATION DES OUTILS ET DES PIÈCES

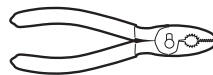
Outils nécessaires



Perceuse



Clé à molette



Pince



Tournevis à douille de 1/4"



Tournevis cruciforme



Tournevis plat



Crayon

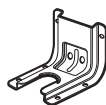


Niveau

Accessoires fournis



Modèle



Support anti-basculement



Vis (courtes : 2 unités,
longues : 2 unités)



Kit de cales et vis
(3 unités)

Matériaux adicionales que usted necesitará



Cordon 4 fils ou 3 fils
(homologué UL 40 ou 50 AMP)



Protection contre la traction
(pour le branchement des gaines uniquement)

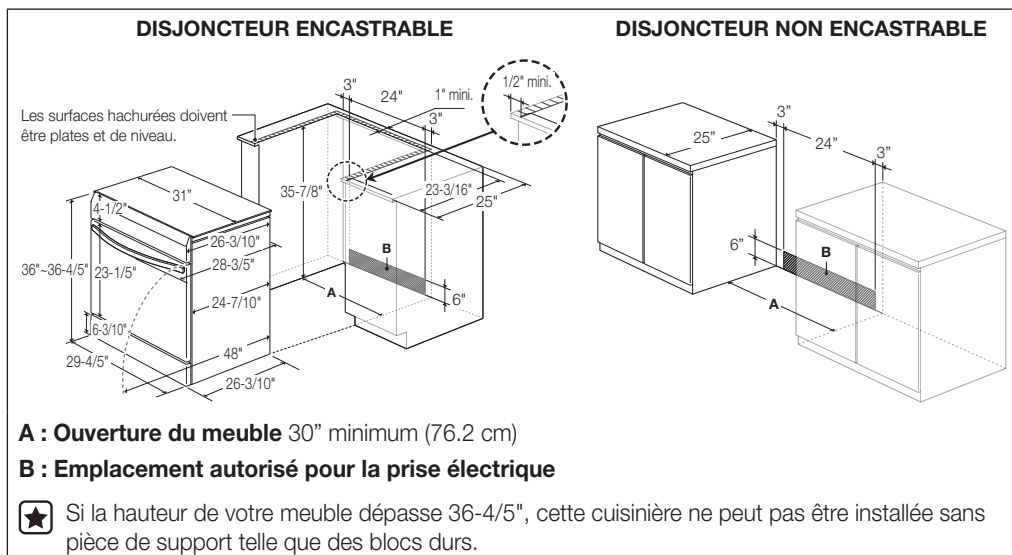
VÉRIFICATION DU SITE D'INSTALLATION

Dégagements et dimensions

Pour procéder à l'installation de la cuisinière, reportez-vous au schéma suivant.



AVERTISSEMENT Cette cuisinière a été conçue pour supporter une température maximale de 194 °F, température maximale autorisée pour toute structure en bois. Assurez-vous que le revêtement mural, les plans de travail et les meubles voisins peuvent résister à la chaleur (jusqu'à 194 °F) générée par la cuisinière. Dans le cas contraire, des éléments peuvent se décolorer, se décoller ou fondre.



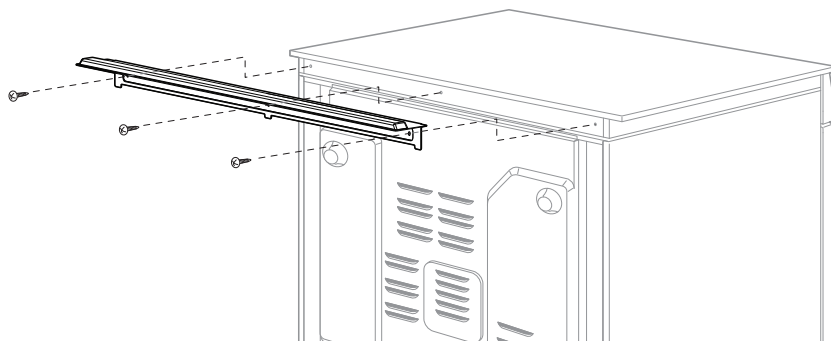
AVERTISSEMENT Vous devez utiliser le kit de remplissage arrière pour installer la cuisinière dans une armoire pour disjoncteur non encastrable. Pour en savoir plus, reportez-vous à la section « Kit de remplissage arrière en option », comme indiqué ci-dessous.

Kit de calage arrière en option

Se utiliza para rellenar el espacio entre la parte trasera de la cocina y la pared. Agrega una tira de relleno en la parte trasera de la cocina. Este kit sólo puede usarse cuando la abertura del mostrador de encimera tiene una profundidad de 25" (63,5 cm).

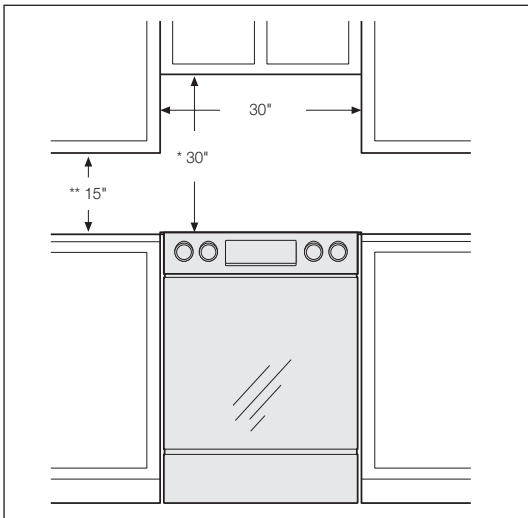


Si la profondeur du plan de travail dépasse 25", il y aura un jeu entre le kit de calage et le mur arrière.



Dimensions minimales

★ IMPORTANT Pour éliminer tout risque de brûlure ou d'incendie lors de l'accès à l'espace situé au-dessus des éléments de cuisson chauds, évitez d'y aménager tout meuble de rangement. Si un meuble de rangement est situé au-dessus des éléments de cuisson, vous pouvez réduire le risque en installant une hotte d'aspiration assurant une protection horizontale d'au moins 5 pouces au-delà du dessous du meuble.



- * dégagement minimal de 30" entre le dessus de la table de cuisson et le dessous d'un meuble en métal ou en bois non protégé, ou de 24" minimum si le dessous du meuble en métal ou en bois est protégé par un carton pâte infugeant d'au moins 1/4" recouvert par au moins une feuille d'acier n°28 MSG, d'acier inoxydable de 0.015", d'aluminium de 0.024" ou de cuivre de 0.020".
- ** 15" minimum entre le plan de travail et le dessous du meuble adjacent.

mise sous tension

ÉTAPE 1 : RESPECT DES EXIGENCES EN MATIÈRE DE RACCORDEMENTS ÉLECTRIQUES



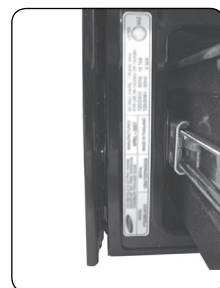
ATTENTION Pour votre sécurité, n'utilisez pas de rallonge pour brancher l'appareil. Retirez le fusible de l'installation électrique ou ouvrez le disjoncteur avant de démarrer l'installation.

Cet appareil doit être alimenté par la fréquence et la tension adaptées. Il doit également être branché sur un circuit individuel correctement mis à la terre et protégé par un disjoncteur ou un fusible dont l'ampérage est conforme à celui spécifié sur la plaque signalétique de l'appareil. La plaque signalétique est située au-dessus du tiroir sur la structure du four. (Fig. 1 ou Fig. 2)

Nous vous recommandons de confier le câblage et le branchement électriques de votre cuisinière à un électricien qualifié. Une fois l'installation effectuée, demandez à l'électricien de vous montrer l'emplacement de débranchement principal de votre cuisinière.

Vérifiez auprès de votre service public les codes électriques s'appliquant à votre zone. Le non-respect des codes obligatoires pour le branchement de votre four peut s'avérer dangereux. S'il n'existe pas de codes locaux, votre cuisinière doit être branchée conformément aux exigences du Code national électrique, ANSI/NFPA N°. 70 (dernière édition). Vous pouvez en obtenir une copie en adressant un courrier à :

National Fire Protection Association
Batterymarch Park
Quincy, MA 02269



(Fig. 1).



(Fig. 2).

Entré en vigueur le 1er janvier 1996, le Code électrique national exige que toute construction neuve (non existante) doit être équipée d'un branchement à 4 conducteurs pour les cuisinières électriques.

Lorsque vous installez une cuisinière électrique dans une construction neuve, suivez les étapes 2 et 3 relatives aux connexions à 4 fils.

Vous devez utiliser un système électrique à 3 ou 4 fils, monophasé CA de 208Y/120 V ou de 240/120 V (60 Hz).

Si votre installation électrique n'est pas conforme aux spécifications ci-dessus, contactez un électricien agréé afin d'installer une prise homologuée.

Utilisez uniquement un cordon d'alimentation à 3 ou 4 fils figurant dans la liste UL. Ces cordons nécessitent des bornes rondes sur le fil et un dispositif de protection contre la traction.

Un cordon d'alimentation nominale de 40 A et de 125/250 V minimum est indispensable. Il n'est pas recommandé d'utiliser un cordon d'alimentation de 50 A, mais si toutefois vous en utilisez un, celui-ci doit être repéré pour être utilisé avec des ouvertures de connexion de diamètre nominal 1³/₈". Veillez à bien centrer le câble et le dispositif de protection contre la traction dans le trou d'éjection afin d'empêcher que le bord n'endommage le câble.

- Etant donné que les prises de la cuisinière sont inaccessibles une fois la cuisinière installée, il est nécessaire d'utiliser une gaine ou un cordon flexible.



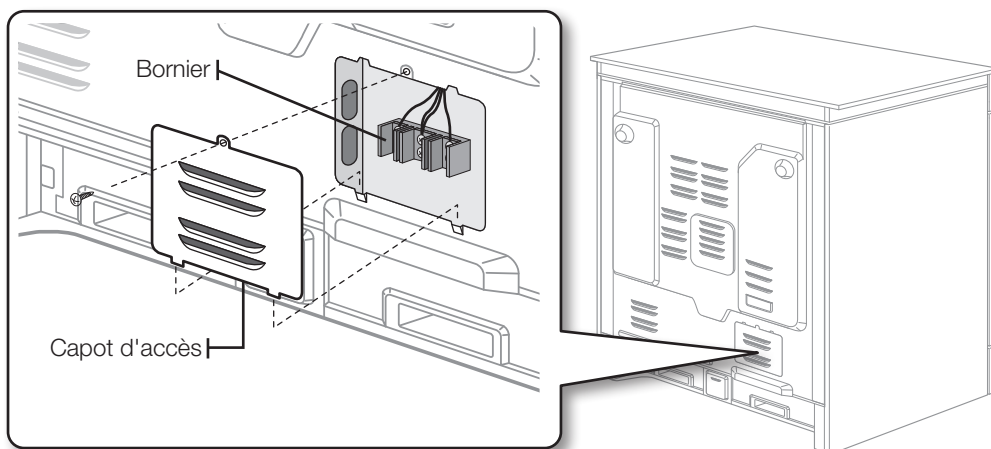
REMARQUE Si vous utilisez une gaine, suivez l'étape 4, page 25.



TOUTES LES CONSTRUCTIONS DONT LES CIRCUITS DERIVES SONT NEUFS, LES MAISONS MOBILES, LES VEHICULES ET LES INSTALLATIONS DE LOISIRS DONT LES CODES LOCAUX NE PERMETTENT PAS UNE MISE A LA TERRE PAR UNE BORNE NEUTRE, NECESSITENT L'UTILISATION D'UN CORDON D'ALIMENTATION A 4 FILS FIGURANT DANS LA LISTE UL.

ÉTAPE 2 : ACCÈS AU BRANCHEMENT DU CORDON D'ALIMENTATION

Desserrez puis retirez la vis du panneau d'accès situé à l'arrière à l'aide d'un tournevis. Retirez le panneau d'accès situé à l'arrière en le soulevant pour le sortir. Vous pourrez alors accéder au bornier.



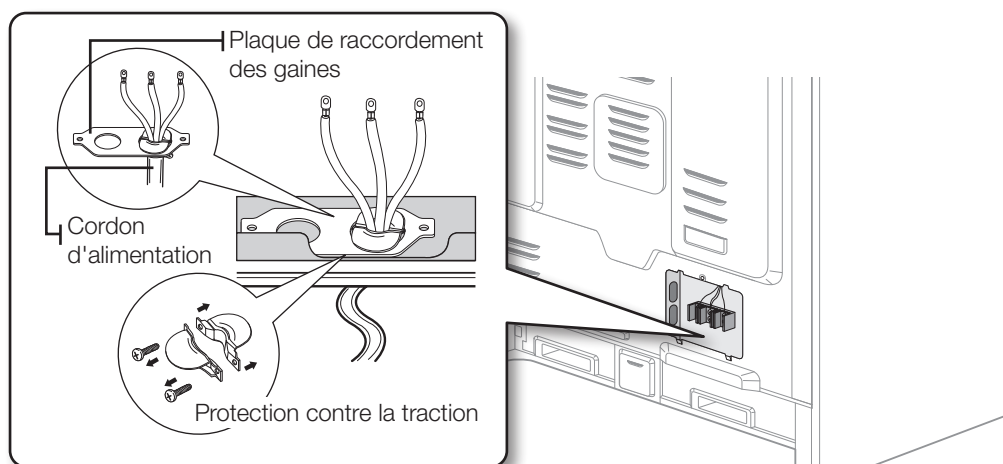
Classification de l'équipement nécessaire à la mise sous tension

Classification générale, watts		Classification de l'équipement nécessaire à la mise sous tension, ampères	Diamètre (pouces) de l'ouverture de connexion de la cuisinière	
120/240 volts, 3 fils	120/208 volts, 3 fils		Cordon d'alimentation	Gaine
8750 - 16500	7801 - 12500	40 ou 50 A	1 ³ / ₈ "	1 ¹ / ₈ "

Pour les installations de cordons d'alimentation, reportez-vous à la page 23. Pour les installations de gaine, reportez-vous à la page 25.

ÉTAPE 3 : INSTALLATION DU CORDON D'ALIMENTATION

Pour les installations de cordon d'alimentation, accrochez le dispositif de protection contre la traction sur l'orifice du cordon d'alimentation (1³/₈") situé sous la partie arrière du tiroir. Insérez le cordon d'alimentation dans le dispositif et serrez-le.



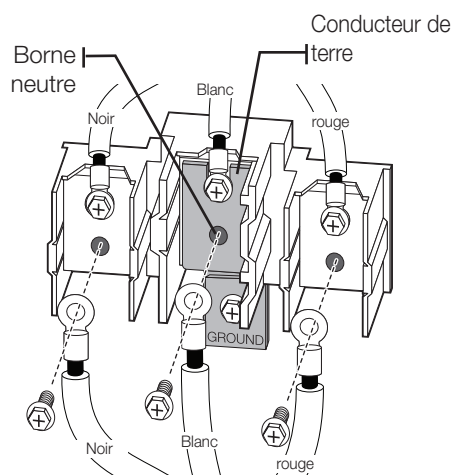
- **Le cordon d'alimentation doit être installé au moyen d'une protection contre la traction.**
- Fixez la protection à l'ouverture 1³/₈" située dans la plaque de raccordement des gaines.

Installation d'un cordon d'alimentation à 3 fils



AVERTISSEMENT La prise de terre ou la prise neutre du cordon d'alimentation doit être connectée à la borne neutre située au centre du bornier. Les câbles d'alimentation doivent être connectés aux bornes inférieures gauches et inférieures droites du bornier.

1. Retirez les 3 vis de la borne inférieure du bornier.
2. Insérez les 3 vis de la borne dans les bornes inférieures du bornier en passant par chacun des anneaux de la borne du cordon d'alimentation. Assurez-vous que le fil central (blanc/neutre) est relié à l'emplacement central inférieur du bornier.
3. Serrez fermement les vis sur le bornier. **NE retirez PAS la connexion du conducteur de terre.**
4. Reportez-vous à l'**étape 5** de la page 26 et poursuivez l'installation.

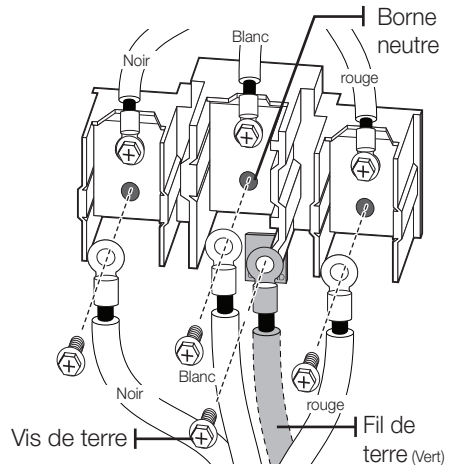
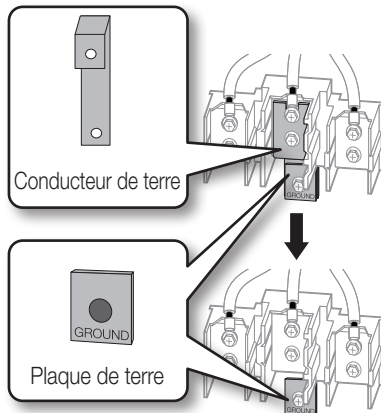


Installation d'un cordon d'alimentation à 4 fils



AVERTISSEMENT La prise neutre du circuit d'alimentation doit être connectée à la borne neutre située au centre inférieur du bornier. Les câbles d'alimentation doivent être connectés aux bornes inférieures gauches et inférieures droites du bornier. Le 4ème câble de mise à la terre doit être connecté au bâti de la cuisinière au moyen de la plaque et de la vis de masse.

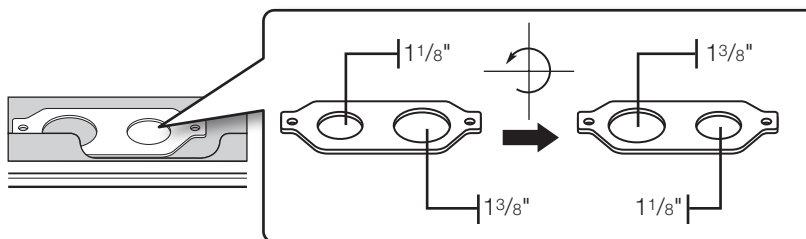
1. Retirez les 3 vis de la borne inférieure du bornier. Retirez la vis et la plaque de terre et conservez-les.
2. **Coupez et éliminez le conducteur de terre. Ne jetez aucune vis.**
3. Insérez la vis de terre dans l'anneau de la borne du fil de mise à la terre du cordon d'alimentation, en passant par la plaque de masse puis dans le bâti de la cuisinière.
4. Insérez les 3 vis de la borne (retirées précédemment) dans les bornes inférieures du bornier en passant par chacun des anneaux de la borne du cordon d'alimentation. Assurez-vous que le fil central (blanc/neutre) est relié à l'emplacement central inférieur du bornier. Serrez fermement les vis sur le bornier.
5. Reportez-vous à l'**étape 5** de la page 26 et poursuivez l'installation.



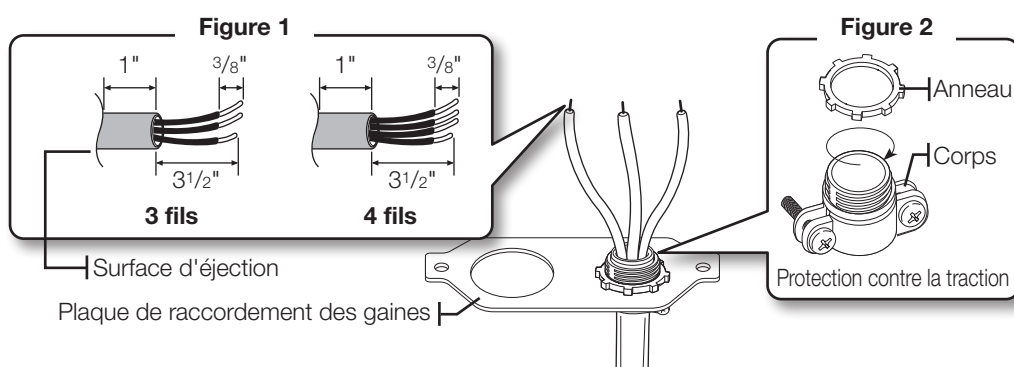
ÉTAPE 4 : INSTALLATION DE LA GAINÉ

Retirez la plaque de connexion de la gaine et tournez-la comme indiqué ci-dessous.

Vous devez utiliser l'orifice de la gaine (1 1/8").



1. Préparez le cordon de la gaine comme le montre la figure 1.
2. Installez le cordon de la gaine comme le montre la figure 2.

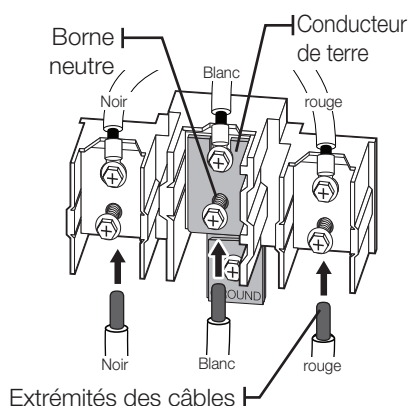


Pour les installations de gaine, insérez le dispositif de protection contre la traction (non fourni) dans l'orifice de la gaine (1 1/8"). Faites ensuite passer le cordon de la gaine dans le dispositif de protection, puis serrez l'anneau. Réinstallez le support.

Installation d'un conduit à 3 fils

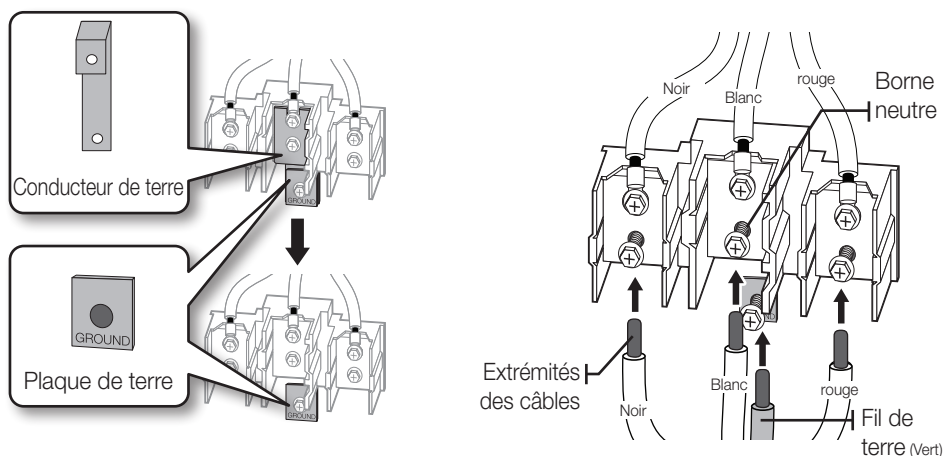
- Un fil de bâtiment en aluminium peut être utilisé mais il devra être doté de l'intensité et de la tension nominales correctes. Raccordez les fils comme décrit ci-dessous.
- Le fils utilisé, l'emplacement, les boîtiers de protection pour les épissures, etc. doivent être conformes aux bonnes pratiques de câblage et aux codes locaux.

1. Desserrez les 3 vis de la borne inférieure du bornier.
2. Insérez l'extrémité du fil nu (blanc/neutre) central dans l'emplacement inférieur central de l'ouverture du bornier. Sur certains modèles, le fil devra être inséré dans l'ouverture du conducteur de terre puis dans l'emplacement inférieur central de l'ouverture du bornier.
3. Insérez les deux extrémités de fil nu latérales dans les ouvertures inférieure gauche et inférieure droite du bornier.
4. Serrez les vis jusqu'à fixation complète du fil (35 à 50 pouce-livre). Ne serrez pas excessivement les vis sous peine d'endommager les fils.
5. Reportez-vous à l'**étape 5** de la page 26 et poursuivez l'installation.



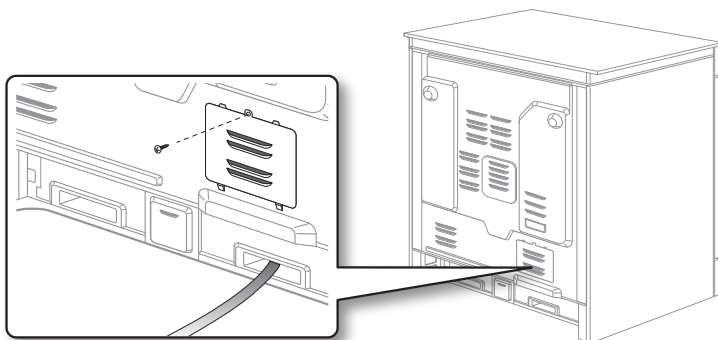
Installation d'un conduit à 4 fils

- Un fil de bâtiment en aluminium peut être utilisé mais il devra être doté de l'intensité et de la tension nominales correctes permettant d'établir la connexion. Raccordez les fils comme décrit ci-dessous.
 - Le fils utilisé, l'emplacement, les boîtiers de protection pour les épissures, etc. doivent être conformes aux bonnes pratiques de câblage et aux codes locaux.
1. Desserrez les 3 vis de la borne inférieure du bornier. Retirez la vis et la plaque de terre et conservez-les.
 2. **Coupez et éliminez le conducteur de terre. Ne jetez aucune vis.**
 3. Insérez l'extrémité du fil de terre nu entre le bâti de la cuisinière et la plaque de terre (retirée précédemment) et fixez-la à l'aide de la vis de terre (retirée précédemment).
 4. Insérez l'extrémité du fil nu (blanc/neutre) dans l'emplacement inférieur central de l'ouverture du bornier.
 5. Insérez les deux extrémités de fil nu latérales dans les ouvertures inférieure gauche et inférieure droite du bornier.
 6. Serrez les vis jusqu'à fixation complète du fil (35 à 50 ponce-livre). Ne serrez pas excessivement les vis sous peine d'endommager les fils.
 7. Reportez-vous à l'**étape 5** ci-dessous pour poursuivre l'installation.



ÉTAPE 5 : REMISE EN PLACE DU PANNEAU D'ACCÈS

Pour replacer le panneau d'accès à l'arrière de la cuisinière, insérez les deux parties en saillie situées en bas du panneau dans les orifices situés sous l'ouverture, insérez et serrez la vis du panneau d'accès arrière.



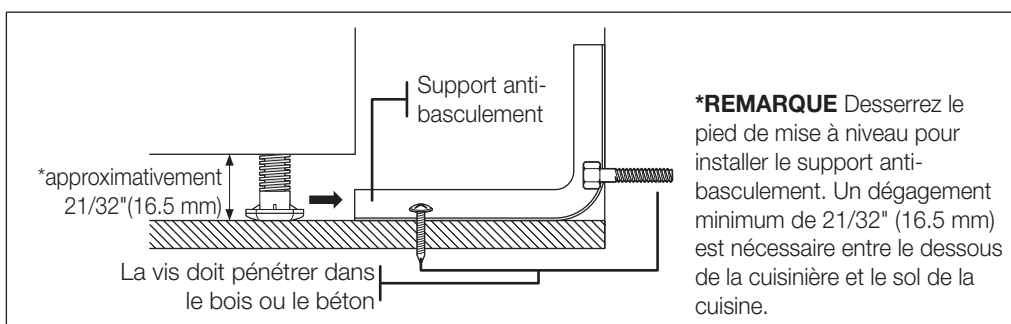
installation de la cuisinière

INSTALLATION DU DISPOSITIF ANTI-BASCULEMENT



AVERTISSEMENT Afin de réduire les risques de basculement, vous devez fixer la cuisinière en installant correctement le dispositif anti-basculément fourni avec cette dernière.

- Reportez-vous aux consignes d'installation fournies avec le support.
- Si le dispositif anti-basculément n'est pas installé correctement, un enfant ou un adulte montant ou s'asseyant sur la porte peut faire basculer la cuisinière et provoquer de graves blessures par le renversement de liquides chauds ou par la cuisinière elle-même.

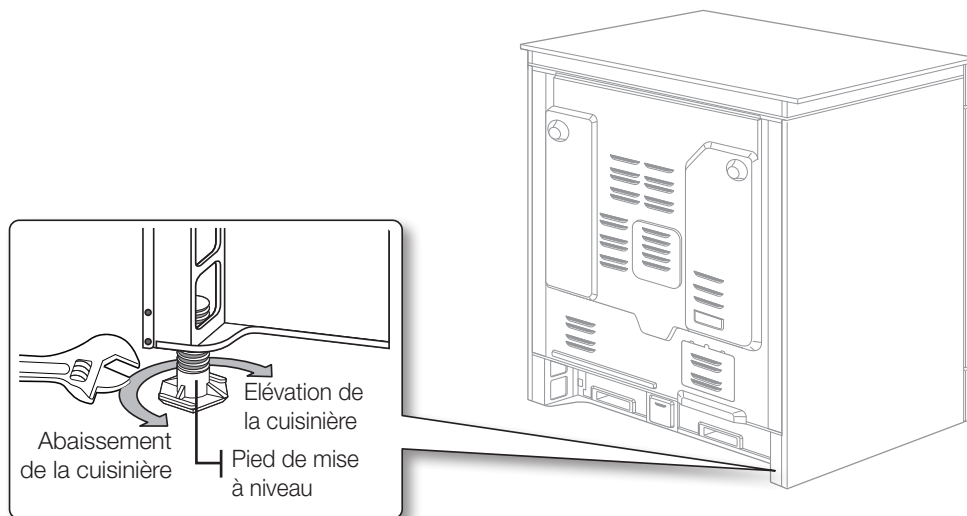


1. Déterminez l'emplacement du support à l'aide du modèle.

Le support anti-basculément est fourni avec un modèle. Les consignes comportent les informations nécessaires à l'installation. Lisez et suivez les consignes figurant sur la fiche (modèle) pour l'installation de la cuisinière.

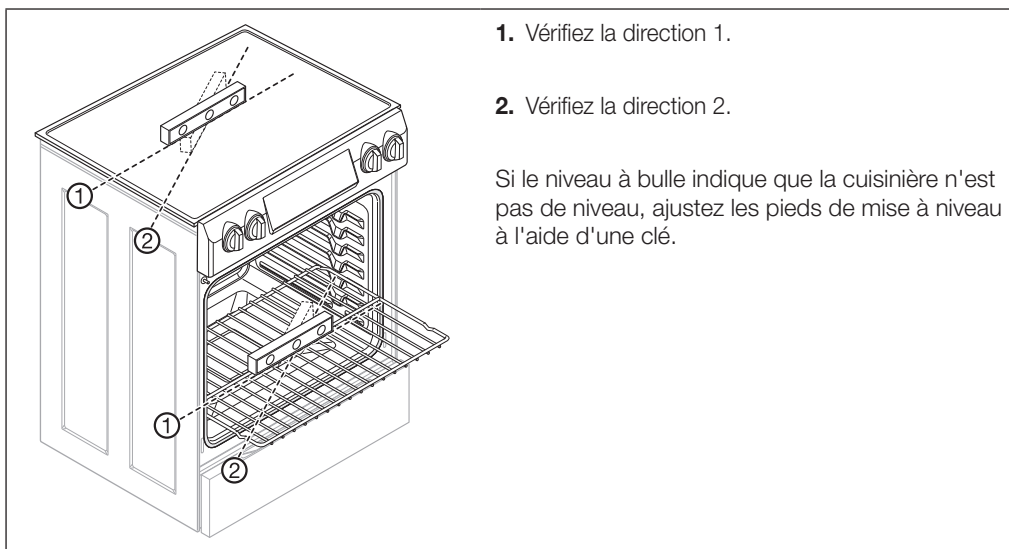
2. Mise à niveau de la cuisinière

Mettez la cuisinière à niveau en ajustant les pieds de réglage à l'aide d'une clé.



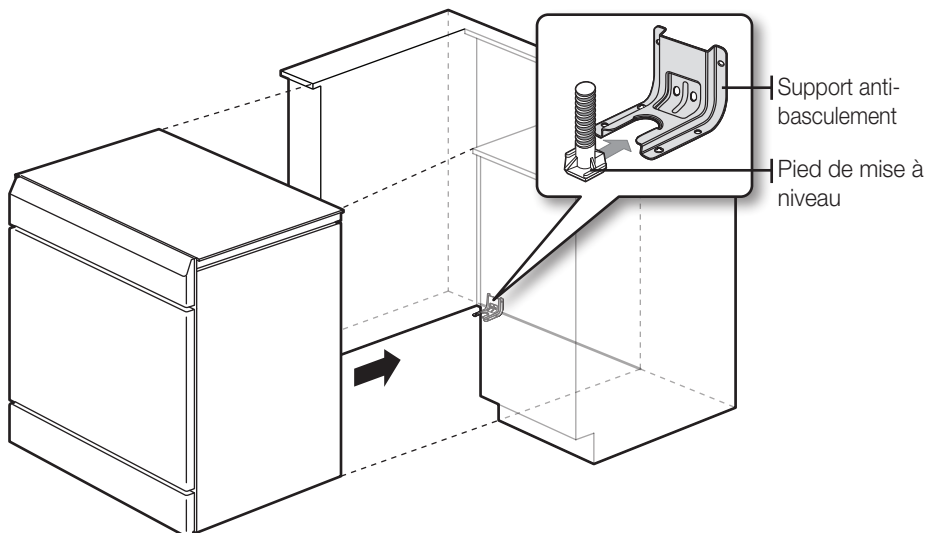
3. Vérification des réglages

Utilisez un niveau à bulle pour vérifier vos réglages. Placez le niveau en diagonale sur la grille du four ou la table de cuisson et vérifiez le niveau dans les deux directions indiquées ci-dessous.



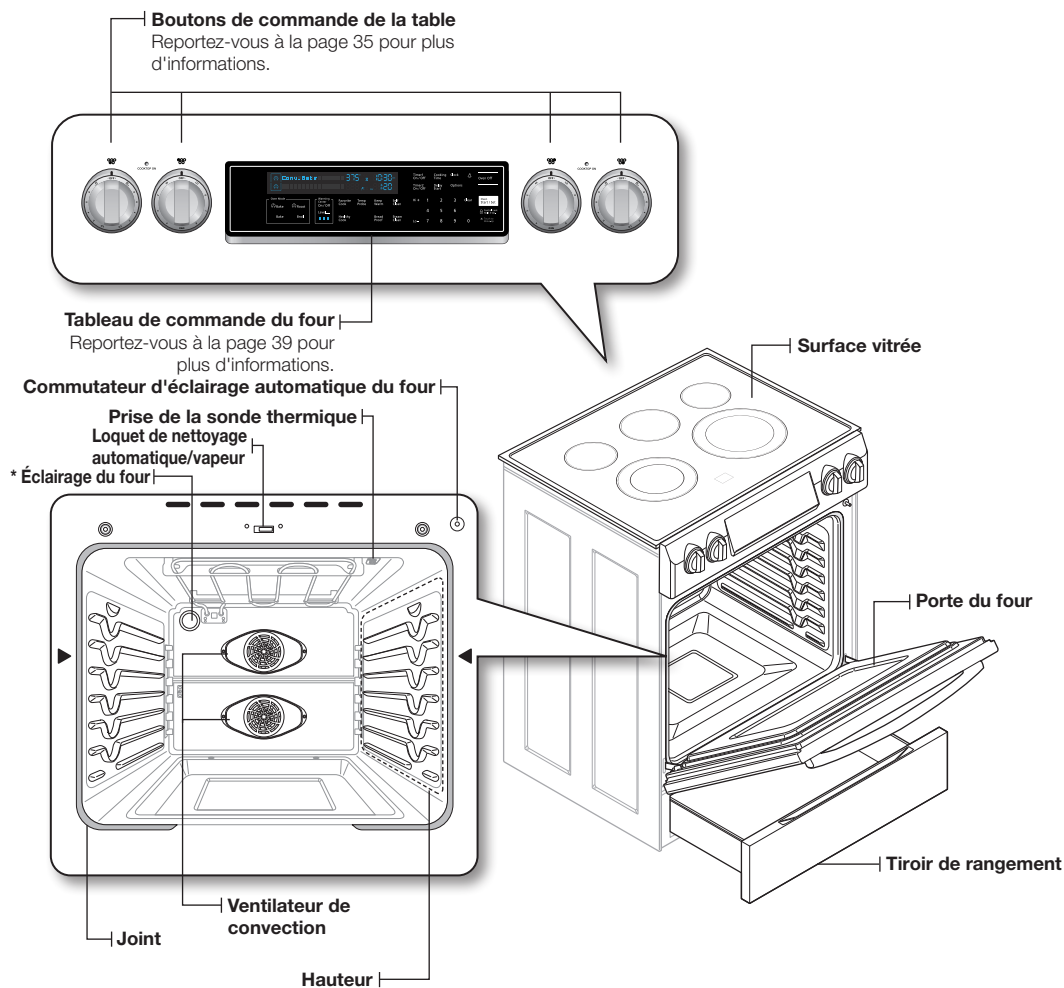
FINALISATION DE L'INSTALLATION

- Placez la cuisinière suffisamment près de l'ouverture pour permettre le branchement de la prise.
- Positionnez la cuisinière en vous assurant que le pied arrière gauche (ou arrière droit) se place sous le support anti-basculement.
- Inclinez avec précaution la cuisinière vers l'avant afin de vous assurer que le support anti-basculement s'emboîte dans la fixation arrière et que la cuisinière ne bascule pas.
- Mettez l'appareil sous tension. Vérifiez que la cuisinière fonctionne correctement comme indiqué dans le manuel d'utilisation.

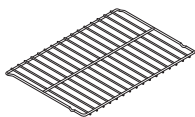


présentation de votre nouvelle cuisinière

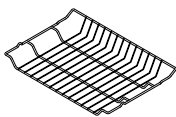
PRÉSENTATION



ACCESSOIRES FOURNIS



* Grilles de cuisson (2)



* Grille encastrée (1)



* Sonde thermique (1)

Si vous souhaitez acheter un accessoire repéré par un astérisque (*), vous pouvez le commander auprès du Centre d'assistance Samsung (1-800-726-7864).

avant de commencer

Nettoyez soigneusement le four avant de l'utiliser pour la première fois. Retirez les accessoires, lancez un cycle de cuisson traditionnelle et faites fonctionner le four à 400 °F pendant 1 heure avant l'utilisation. Il est normal qu'une odeur caractéristique se dégage lors de cette opération. Ceci est tout à fait normal. Aérez convenablement la pièce pendant cette période.

démarrage

RÉGLAGE DE L'HORLOGE

L'**horloge** doit être réglée sur l'heure correcte afin que la minuterie automatique du four fonctionne correctement.

- L'heure ne peut pas être modifiée durant la cuisson minutée, la cuisson minutée différée ou le cycle d'auto-nettoyage.
- Vous pouvez afficher l'heure au format 12 ou 24 heures. Par défaut, l'heure s'affiche au format 12 heures.

Comment régler l'horloge ?

1. Démarrez le réglage.
Appuyez sur **Horloge**.
2. Appuyez sur **Horloge** pour sélectionner AM ou PM.
(Omettez cette étape pour un réglage de l'affichage 24 heures)
3. Saisissez l'heure actuelle (heures et minutes) à l'aide du pavé numérique (ex. : 1, 3, 0 pour 1h 30).
4. Appuyez sur **Horloge** ou sur **Démarrage/Réglage du four** pour enregistrer les modifications.

MODES D'AFFICHAGE DU PANNEAU DE COMMANDE

Mode veille

Votre panneau de commande reste en mode veille lorsqu'il n'est pas en cours d'utilisation. Seule l'horloge sera affichée. Vous devez réveiller le panneau de commande avant de lancer une fonction.



Mode de réveil

Pour réveiller le panneau de commande, appuyez sur la touche de réveil. Après 2 minutes sans activité (ou une minute lorsque le four est en cours de fonctionnement en mode veille), le panneau de commande repasse en mode Veille. Les préférences de l'utilisateur sont disponibles dans ce mode ainsi que les minuteries, l'éclairage du four et le verrouillage du panneau de commande.

ACTIVATION ET DÉSACTIVATION DE L'ÉCLAIRAGE DU FOUR

- L'éclairage du four s'allume automatiquement à l'ouverture de la porte.
- L'éclairage du four s'éteint automatiquement à la fermeture de la porte.
- Vous pouvez activer et désactiver l'éclairage du four manuellement en appuyant sur la touche **Éclairage du four**.

VERROUILLAGE DES COMMANDES

Le verrouillage des commandes permet de verrouiller les boutons afin qu'ils ne puissent pas être actionnés par accident.

Le verrouillage des commandes est uniquement activé en mode veille.

Comment activer la fonction de verrouillage des commandes ?

1. Appuyez sur **Verrouillage 3 s. des commandes**, pendant 3 secondes.

Le message « Loc », une icône en forme de verrou ainsi que l'heure actuelle s'affichent à l'écran.

Toutes les fonctions du four doivent être annulées avant l'activation du verrouillage des commandes.

Cette fonction est disponible uniquement lorsque la température du four est inférieure à 400 °F.

Comment déverrouiller les commandes ?

1. Appuyez sur **Verrouillage 3 s. des commandes**, pendant 3 secondes.

L'indication Loc (Verrouillage) ainsi que l'icône du verrou disparaissent de l'affichage.

RÉGLAGE DE LA MINUTERIE

Le décompte s'affiche et un signal sonore retentit une fois ce temps écoulé. Elle ne permet pas de démarrer ou d'arrêter les fonctions de cuisson. Vous pouvez utiliser la minuterie avec toutes les autres fonctions du four.

Comment régler la minuterie ?

1. Activez la minuterie.

Appuyez sur **Minuterie1 Mar/Arr (Minuterie2 Mar/Arr)**.

2. Saisissez la durée souhaitée.

Saisissez la durée de votre choix à l'aide du pavé numérique (ex. : 1, 5). Sélectionnez une durée

comprise entre 1 minute et 9 heures 99 minutes. Si vous commettez une erreur, appuyez sur **Effacer** et saisissez la durée à nouveau.

3. Lancez la minuterie.

Appuyez sur **Minuterie1 Mar/Arr (Minuterie2 Mar/Arr)** ou **Démarrage/Réglage du four**.

4. Une fois le temps réglé écoulé, le four émet un signal sonore et le message End (Fin) reste affiché jusqu'à ce que vous réactivez le pavé. Vous pouvez annuler la minuterie à tout moment en appuyant sur la touche **Minuterie1 Mar/Arr (Minuterie2 Mar/Arr)**.
-

table de cuisson

A PROPOS DE LA TABLE DE CUISSON



ATTENTION

AVANT LA CUISSON

- N'utilisez pas la table de cuisson vitrée comme planche à découper.
- Ne placez et ne rangez rien qui soit susceptible de fondre ou de s'enflammer sur la surface vitrée, même si elle n'est pas utilisée.
- Allumez les foyers uniquement après avoir placé un récipient sur le foyer.
- Ne stockez pas d'objets lourds au-dessus de la table de cuisson. Ils pourraient tomber et l'endommager.



ATTENTION

PENDANT LA CUISSON

- Ne placez pas de papier d'aluminium ou d'objet en plastique tel que salières et poivrières, porte-cuillères ou emballages en plastique sur la cuisinière lorsque vous l'utilisez. L'air chaud provenant de l'orifice de ventilation risque de faire fondre le plastique ou d'enflammer les objets.
- Assurez-vous que le foyer correct est allumé.
- Ne faites jamais cuire d'aliments directement sur la surface vitrée. Utilisez toujours un récipient.
- Veillez à toujours centrer la casserole sur le foyer que vous utilisez.
- Ne laissez jamais les foyers sans surveillance lorsque vous utilisez une température élevée. En cas de débordement, les particules grasses provenant des aliments risquent de s'enflammer.
- Éteignez les foyers avant de retirer la casserole.
- Ne couvrez pas les aliments de film plastique. Le plastique risque de fondre sur la surface et de s'avérer très difficile à nettoyer.
- Le ventilateur de refroidissement peut être actionné durant l'utilisation de la table de cuisson.



ATTENTION

APRÈS LA CUISSON

- Ne touchez pas les foyers avant qu'ils n'aient refroidi.
- Le foyer peut encore être chaud et vous risquez de vous brûler si vous touchez la surface vitrée avant qu'elle n'ait suffisamment refroidi.
- Nettoyez immédiatement les éclaboussures de la table de cuisson afin d'éviter qu'elles ne s'incrustent et soient difficiles à nettoyer.
- Si un placard de rangement est installé directement au-dessus de la table de cuisson, assurez-vous que les éléments qu'il contient sont rarement utilisés et qu'ils ne sont pas sensibles à la chaleur. La chaleur peut s'avérer dangereuse dans le cas de liquides volatils, de nettoyeurs ou de produits en aérosol.

À propos des foyers radiants

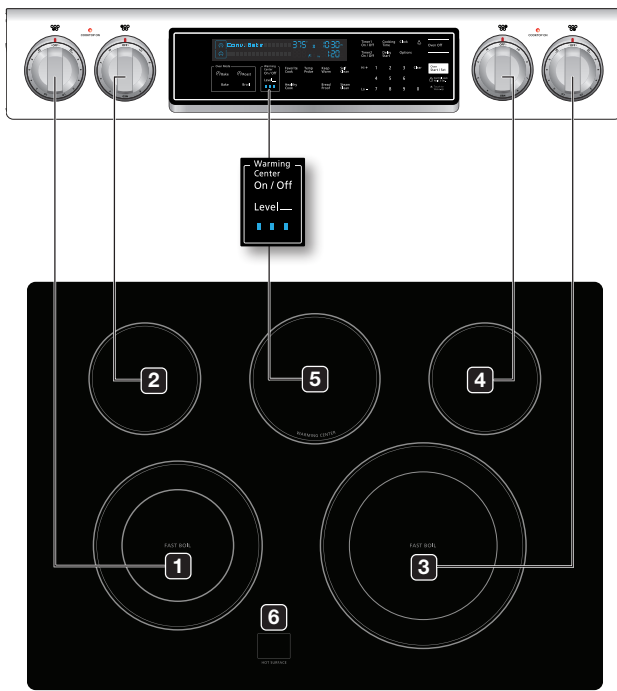
La température des éléments radiants augmente progressivement et uniformément. À mesure que la température augmente, le foyer radiant devient rouge. Afin que soit conservé le réglage sélectionné, l'élément se met en marche et s'arrête alternativement. L'élément chauffant conserve assez de chaleur pour fournir une température uniforme et constante durant le cycle de désactivation. Pour une cuisson efficace, éteignez l'élément chauffant quelques minutes avant la fin de la cuisson. Ainsi, la chaleur résiduelle permet de terminer le processus de cuisson.



Les foyers radiants sont équipés d'un limiteur leur permettant de s'allumer et de s'éteindre, même avec le réglage HI (Élevé). Cela permet d'éviter toute détérioration de la surface de cuisson en céramique. L'activation pendant le réglage HI (Élevé) est normale. Il peut se produire également si le récipient de cuisson est trop petit pour le foyer radiant ou si le fond du récipient n'est pas plat.

Emplacement des foyers radiants et des commandes

Les boutons de commande permettent d'activer les foyers radiants de la table de cuisson comme indiqué ci-dessous.



1. **Avant gauche** : 6"/9", 3000 W
2. **Arrière gauche** : 6", 1200 W
3. **Avant droit** : 9"/12", 3000 W
4. **Arrière droit** : 6", 1200 W
5. **Zone chauffe-plat** : 100 W
6. **Témoin de surface chaude**

Témoin de surface chaude

- S'allume lorsque la surface est allumée ou est chaude au toucher.
- Reste allumé même après la mise hors tension du foyer.
- Reste allumé jusqu'à ce que la surface descende à environ 150 °F.

Zones de cuisson

- Les zones de cuisson de votre cuisinière sont matérialisées par des cercles permanents sur la table de cuisson vitrée. Pour une cuisson plus efficace, utilisez des récipients de même taille que les foyers.
- **Les récipients ne doivent pas dépasser de plus de ½" à 1" la zone de cuisson.**
- Lorsqu'un bouton est activé, une lueur est visible à travers la table de cuisson vitrée. **L'élément s'allume et s'éteint alternativement afin de maintenir la chaleur pré réglée, même lorsque le réglage de température est élevé.**
- Pour obtenir plus d'informations sur la sélection des ustensiles de cuisine appropriés, reportez-vous au chapitre « Utilisation des ustensiles de cuisine appropriés », en page 37.



Lorsque vous actionnez le bouton, le signal sonore retentit une fois. Toutefois, si vous actionnez plusieurs boutons, le signal sonore retentira une seule fois, pour le bouton actionné en premier.

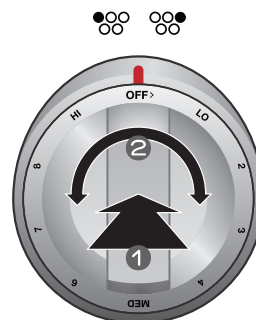
COMMENT RÉGLER LA CUISINIÈRE POUR UTILISER LA TABLE DE CUISSON ?



- Les foyers de la table de cuisson peuvent être chauds, même éteints, et provoquer des brûlures. Ne touchez pas les foyers avant qu'ils n'aient suffisamment refroidi.
- Ne laissez jamais la cuisson sans surveillance à température élevée ou moyennement élevée. En cas de débordement, les particules de graisse provenant des aliments risquent de s'enflammer.
- Veillez à tourner le bouton de commande sur **OFF** à la fin de la cuisson.

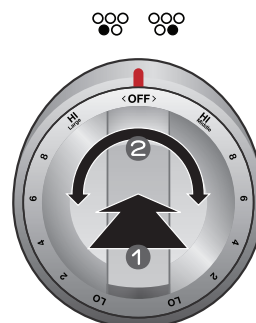
Bouton de commande de l'élément unique (arrière gauche, arrière droit)

1. Enfoncez le bouton.
2. Tournez dans l'une ou l'autre direction selon le réglage souhaité.
 - Sur les positions off (désactivé) et high (élevé), un dé clic est émis.



Bouton de commande de l'élément double (avant gauche, avant droite)

1. Enfoncez le bouton.
2. Tournez dans l'une ou l'autre direction selon le réglage souhaité.
 - Pour utiliser l'élément seul, tournez le bouton de commande sur le réglage correspondant au foyer moyen.
 - Pour utiliser l'élément double, tournez le bouton de commande sur le réglage correspondant au grand foyer.



Si vous retirez un bouton pour le nettoyage, réinsérez-le après avoir vérifié la direction. (reportez-vous à la figure ci-dessus)



La zone située entre le réglage élevé et désactivé n'est pas adaptée à la cuisson.

Réglages recommandés

REGLAGE	TYPE DE CUISSON
ÉLEVÉE	Démarrer la cuisson de la plupart des aliments, amener l'eau à ébullition, griller dans une poêle
MOYENNEMENT ÉLEVÉE	Griller rapidement à la poêle, frire, frire dans un bain d'huile
MOYENNE	Maintenir à faible ébullition, épaissir des sauces, cuire des légumes à la vapeur
MOYENNEMENT FAIBLE	Poursuivre la cuisson, pocher, faire mijoter
FAIBLE	Maintenir au chaud les aliments, faire fondre, cuire doucement

Utilisation de la zone chauffe-plat

La **zone chauffe-plat**, située dans la partie centrale arrière de la surface vitrée, conserve les aliments cuits à température de consommation.



- **La zone chauffe-plat ne devient pas rouge comme les autres foyers.**



- Ne réchauffez pas les aliments pendant plus de deux heures sur la zone chauffe-plat.
- Utilisez uniquement des ustensiles et plats recommandés pour une utilisation sûre dans le four et sur la table de cuisson.
- Utilisez toujours des maniques ou des gants lorsque vous retirez les aliments de la zone chauffe-plat, car les ustensiles et les plats restent chauds.
- Lorsque vous faites chauffer des pâtisseries et du pain, ménager une ouverture dans le couvercle afin de permettre à la vapeur de s'échapper.
- Ne couvrez pas les aliments de film plastique. Le plastique risque de fondre sur la surface et de s'avérer très difficile à nettoyer.
- Il est recommandé de conserver les aliments dans leurs récipients et recouverts d'un couvercle ou d'un papier d'aluminium afin d'en conserver tout le goût.
- Les aliments doivent être déjà chauds. La consommation d'aliments crus ou froids placés sur la zone chauffe-plat risque de vous rendre malade.

1. Allumez la zone chauffe-plat.

Appuyez sur la touche **Activation/Désactivation de la zone chauffe-plat**.

2. Sélectionnez la puissance de votre choix.

Appuyer une fois sur la touche **Niveau de la zone chauffe-plat** permet de régler le niveau sur 1. Appuyez deux fois sur la touche pour le réglage du Niveau 2, 3 fois pour le Niveau 3.

3. Eteignez la zone chauffe-plat.

Appuyez sur la touche **Activation/Désactivation de la zone chauffe-plat**.



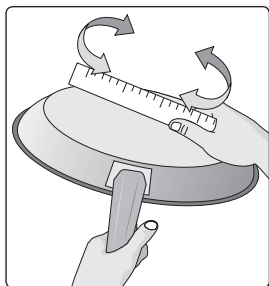
- Appuyer sur la touche **Arrêt du four** ne permet pas d'éteindre la zone chauffe-plat.
- Pour de meilleurs résultats, recouvrez les aliments placés sur la zone chauffe-plat d'un couvercle ou d'un film d'aluminium. Lorsque vous faites chauffer des pâtisseries ou du pain, ménager une ouverture dans le couvercle à l'aide d'aluminium afin de permettre à la vapeur de s'échapper.

Réglages recommandés

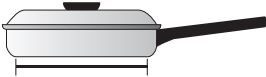

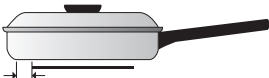


NIVEAU	TYPE D'ALIMENTS
1	Pains/pâtisseries, plats mijotés, sauces, œufs
2	Assiettes-repas, soupes (veloutés), légumes, sauces, ragoûts, viandes
3	Aliments frits, soupes (bouillons), boissons chaudes

UTILISATION DES USTENSILES DE CUISINE APPROPRIÉS

L'utilisation de l'ustensile de cuisine approprié permet d'éviter de nombreux problèmes tels qu'une cuisson inégale ou un temps de cuisson trop long. Utiliser une casserole adaptée permet de réduire les temps de cuisson et de cuire uniformément les aliments.



Vérifiez que le fond du récipient est plat en faisant tourner une règle dessus.

APPROPRIÉ	NON APPROPRIÉ
 <p>Fond plat et bords droits.</p> <ul style="list-style-type: none"> • Couvercles hermétiques. • Le poids du manche ne fait pas incliner la casserole. • Casserole bien équilibrée. • La taille de la casserole est adaptée à la quantité d'aliments à préparer et à la taille du foyer. • Matériau permettant une bonne conduction de la chaleur. • Le diamètre du récipient doit toujours correspondre à celui du foyer. 	 <p>Fond de casserole bombé et déformé.</p>  <p>La casserole dépasse du foyer de plus d'un pouce et demi.</p>  <p>La casserole est plus petite que le foyer.</p>  <p>Le manche fait incliner la casserole.</p>

CHOIX DES USTENSILES DE CUISINE APPROPRIÉS

Le matériau de l'ustensile de cuisine assure que la chaleur émise par le foyer se propage uniformément et rapidement au fond de la casserole.

- **ALUMINIUM** - Excellent conducteur thermique. Certains types d'aliments font noircir l'aluminium (Les ustensiles en aluminium anodisé résistent aux taches et aux piqûres.) Si vous faites glisser des casseroles en aluminium sur la table de cuisson en céramique, des traces métalliques semblables à des rayures peuvent apparaître. Retirez ces traces dès le refroidissement de la surface de cuisson.
- **CUIVRE** - Excellent conducteur thermique mais se décolore facilement. Peut laisser des traces métalliques sur la vitrocéramique (voir ci-dessus).
- **ACIER INOXYDABLE** - Conducteur thermique lent entraînant une cuisson inégale. Durable, facile à nettoyer et résistant aux taches.
- **FONTE** - Mauvais conducteur, mais conserve bien la chaleur. La cuisson n'est uniforme qu'une fois la température de cuisson atteinte. Son utilisation n'est pas recommandée pour les surfaces de cuisson en céramique.
- **CASSEROLE ÉMAILLÉE** - Les caractéristiques de chauffage varient en fonction du matériau de base. Les revêtements en émail vitrifié doivent être lisses afin d'éviter de rayer les surfaces de cuisson en céramique.
- **VERRE** - Conducteur thermique lent. Son utilisation n'est pas recommandée sur les surfaces de cuisson en céramique car il peut rayer la surface.

PROTECTION DE LA SURFACE LISSE

Nettoyage

- Nettoyez la table de cuisson avant de l'utiliser pour la première fois.
- Nettoyez votre table de cuisson quotidiennement ou après chaque utilisation. Ainsi, vous conserverez votre table de cuisson en bon état et éviterez les dommages.
- Si la casserole déborde durant la cuisson, nettoyez immédiatement la zone de cuisson tant qu'elle est chaude ; un nettoyage ultérieur s'avèrerait plus difficile. Nettoyez prudemment les éclaboussures à l'aide d'un chiffon sec.
- Evitez qu'elles ne restent trop longtemps sur la zone de cuisson ou la garniture de la surface de cuisson.
- **N'utilisez pas** de poudre à récurer ou de tampon abrasif qui risquerait de rayer la table de cuisson.
- **N'utilisez pas** d'agent de blanchiment chloré, d'ammoniac ou de nettoyeur non recommandé pour une utilisation sur une surface en vitrocéramique.

Prévention des traces et des rayures

- N'utilisez pas d'ustensiles en verre. Ils pourraient rayer la table de cuisson.
- **Ne placez pas** de grille ou d'anneau wok entre la table de cuisson et la casserole. Ces accessoires sont susceptibles de marquer ou de rayer la table de cuisson.
- Assurez-vous que la table de cuisson et le fond de la casserole sont propres.
- **Ne faites pas** glisser de casseroles en métal sur la table de cuisson.

Prévention des taches

- **N'utilisez pas** de torchon ou d'éponge sale pour nettoyer la table de cuisson. Un film subsisterait, provoquant des taches sur la table de cuisson après son chauffage.
- Si vous continuez d'utiliser la table de cuisson alors que celle-ci est sale, les taches peuvent devenir définitives.

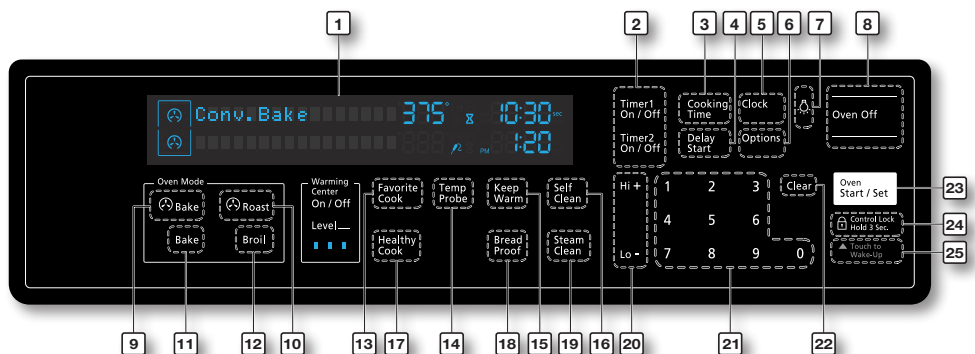
Prévention d'autres dommages

- Evitez de laisser du plastique, du sucre ou des aliments à forte teneur en sucre fondre sur la table de cuisson chaude. Si cela se produit, nettoyez-la immédiatement.
- Ne laissez jamais chauffer un récipient jusqu'à évaporation complète de son contenu. Vous risqueriez de l'endommager.
- **N'utilisez pas** la table de cuisson comme plan de travail ou planche à découper.
- **Ne faites jamais** cuire d'aliments directement sur la table de cuisson. Utilisez toujours des ustensiles de cuisine appropriés.

utilisation du four

TABLEAU DE COMMANDE DU FOUR

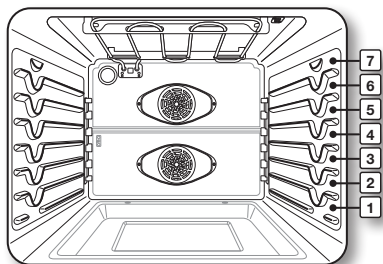
LISEZ ATTENTIVEMENT LES CONSIGNES D'UTILISATION AVANT DE VOUS SERVIR DU FOUR. Pour de meilleurs résultats, familiarisez-vous avec les diverses fonctionnalités du four décrites ci-dessous. **Vous trouverez un descriptif détaillé de chaque fonction et de chaque caractéristique plus loin dans ce manuel.**



- 1. AFFICHAGE :** indique l'heure, la température du four, si le four est en mode Cuisson, Gril ou Auto-nettoyage et le temps réglé pour la minuterie ou le fonctionnement automatique.
- 2. ACTIVATION/DESACTIVATION DE LA MINUTERIE :** utilisé pour régler ou annuler la minuterie. La minuterie ne démarre pas ou arrête la table de cuisson.
- 3. TEMPS DE CUISSON :** appuyez sur cette touche puis utilisez le pavé numérique et définissez le temps de cuisson des aliments. Le four s'éteint une fois le temps de cuisson écoulé.
- 4. DÉPART DIFFÉRÉ :** permet de régler le départ et l'arrêt automatique du four selon l'heure définie. (Cuisson traditionnelle, Cuisson par conv., Rôtissage par conv. et Auto-nettoyage uniquement.)
- 5. HORLOGE :** utilisé pour régler l'heure.
- 6. OPTIONS :** appuyez sur cette touche pour afficher le menu de préférence de l'utilisateur.
- 7. LAMPE :** permet d'allumer ou d'éteindre l'éclairage du four.
- 8. ARRÊT DU FOUR :** permet d'annuler tous les programmes en cours, hormis l'horloge et la minuterie.
- 9. CUISSON PAR CONVECTION :** utilisé pour activer la fonction de Cuisson par convection dans le four.
- 10. RÔTISSAGE PAR CONVECTION :** permet d'activer la fonction de Rôtissage par convection dans le four.
- 11. CUISSON :** permet d'activer la fonction de cuisson dans le four.
- 12. GRIL :** permet d'activer la fonction de gril dans le four.
- 13. CUISSON FAVORITE :** permet d'enregistrer ou de rappeler un mode de cuisson favori.
- 14. SONDE THERMIQUE :** permet d'activer le mode de sonde thermique.
- 15. MAINTIEN AU CHAUD :** permet d'activer la fonction de maintien au chaud du four pour conserver les aliments cuits au chaud.
- 16. AUTO-NETTOYAGE :** permet d'activer la fonction d'auto-nettoyage du four.
- 17. CUISINE SAINE :** permet de rappeler le réglage du four d'une recette de cuisson saine.
- 18. PAIN PRÉCUIT :** permet de sélectionner la fonction de Pain précuit.
- 19. NETTOYAGE VAPEUR :** permet de sélectionner la fonction de nettoyage vapeur du four
- 20. ÉLEVÉ+/FAIBLE- :** permet d'augmenter ou d'abaisser la température et d'augmenter ou de réduire les durées.
- 21. PAVÉ NUMÉRIQUE :** permet de régler les fonctions à l'aide de chiffres, notamment l'heure sur l'horloge, la minuterie, la température du four, l'heure de début et la durée de la cuisson programmée.
- 22. EFFACER :** permet d'annuler la température ou la durée préalablement entrée.
- 23. DÉMARRAGE/RÉGLAGE DU FOUR :** permet de démarrer une fonction de cuisson ou de nettoyage dans le four.
- 24. VERROUILLAGE DES COMMANDES :** permet de désactiver toutes les fonctions du four.
- 25. TOUCHE DE RÉVEIL :** appuyez pour activer les boutons et les fonctions sur l'affichage.

UTILISATION DES GRILLES DU FOUR

Hauteurs de grille

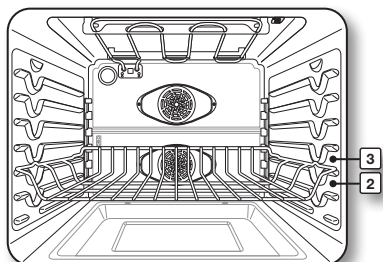


Le four comporte 7 niveaux (1 à 7).

TYPE D'ALIMENTS	HAUTEUR DE GRILLE
Muffins, brownies, cookies, petits gâteaux, gâteaux étagés, tartes, biscuits	4
Tartes surgelées	4
Casserole (Plat mijoté)	4
Couronne ou quatre-quarts	3
Gâteaux des anges	2
Petit rôti, jambons	2
Dinde, gros rôti	1

- Ce tableau n'est communiqué qu'à titre indicatif.

Position de la grille encastrée



Si vous utilisez la grille encastrée, les extrémités doivent être placées dans la position de grille au-dessus de la position souhaitée de l'aliment. Reportez-vous à la figure suivante.



Ces positions de grille sont destinées aux grilles plates. Si la grille encastrée est utilisée, la position de la grille doit être ajustée comme indiqué sur la figure précédente.

Emplacement de la grille et de la poêle

Positionnez les moules à gâteaux le plus au centre possible du four pour assurer de meilleurs résultats. Si vous utilisez plusieurs moules, espacez-les d'au moins 1" à 1½".

Si vous utilisez deux grilles, positionnez-les aux **niveaux 2 et 4** ou aux niveaux **2 et 5**.

Pour un fonctionnement optimal, placez les grilles aux **niveaux 2 et 4** lors de la cuisson de gâteaux sur plusieurs grilles.

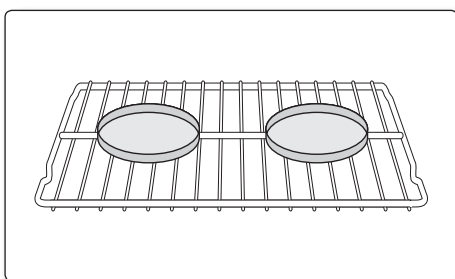
Si vous faites cuire des cookies sur plusieurs grilles, positionnez-les aux **niveaux 2 et 5**.

Placez les poêles et les ustensiles comme montré sur les figures ci-dessous.

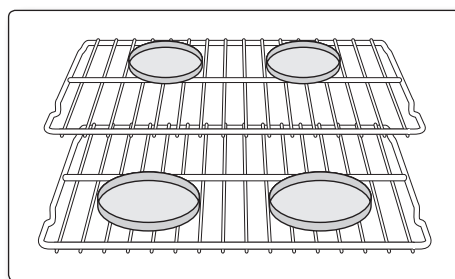
Si vous utilisez une seule grille, positionnez-la au **niveau 3** ou **4**.

Utilisation de plusieurs grilles de four

Type de cuisson	Niveaux de la grille
Cakes	2 et 4
Cookies	2 et 5



Grille unique



Grilles multiples

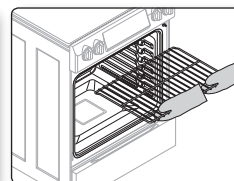
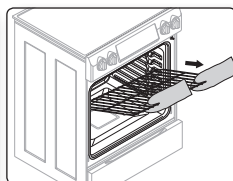
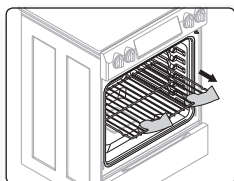
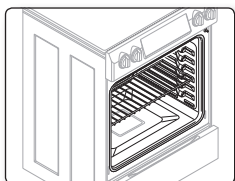
Avant d'utiliser les grilles

Le four est équipé de trois grilles.

Chacune comporte des butées qui doivent être correctement installées sur les supports. Les butées empêchent la grille de sortir complètement de son logement.










- Ne couvrez pas une grille de papier d'aluminium. Ne la posez pas au fond du four. La grille empêcherait la circulation de l'air, ce qui altérerait la cuisson et endommagerait la sole du four.
- Disposez les grilles du four uniquement lorsque le four est froid.



RÉGLAGES MINIMUM ET MAXIMUM

Toutes les fonctions listées dans le tableau ci-dessous ont un réglage minimum et un réglage maximum de la durée ou de la température.

Un signal sonore retentit chaque fois que vous appuyez sur un bouton et que la saisie est validée. Un signal d'erreur retentit sous la forme d'un signal sonore prolongé si une température ou une durée inférieure au réglage minimum ou supérieure au réglage maximum de la fonction est saisie.

FONCTION	MINIMUM	MAXIMUM
 Cuisson traditionnelle	175 °F (80 °C)	550 °F (287 °C)
 Gril	LO	HI
 Cuisson par convection	175 °F (80 °C)	550 °F (287 °C)
 Rôtissage par convection	175 °F (80 °C)	550 °F (287 °C)
 Auto-nettoyage	3 h	5 h
 Nettoyage vapeur	20 min.	20 min.
 Maintien au chaud	-	3 h

FAIRE CUIRE


Le four peut être programmé pour cuire à toute température comprise entre 175 °F et 550 °F.

La température et la durée de cuisson varient en fonction des ingrédients, de la taille et de la forme de la poêle de cuisson utilisée.

Des revêtements noirs ou antiadhésifs peuvent cuire plus rapidement avec plus de brunissement.


Comment régler la température ?

- Démarrez le réglage.
Appuyez sur **Cuisson**. La température par défaut est de 350 °F.
- Saisissez la température de votre choix à l'aide du pavé numérique (ex. : 3, 7, 5).
- Lancez la fonction de cuisson traditionnelle.
Appuyez sur **Démarrage/Réglage du four**. La température affichée change dès que le four atteint 175 °F.
- Si vous souhaitez annuler la cuisson ou si vous avez terminé, appuyez sur la touche **Arrêt du four**.


 Si la recette l'indique, enfournez la nourriture une fois le four préchauffé. Le préchauffage assure de bons résultats pour la cuisson de gâteaux, biscuits, pâte et petits pains. Une fois la température souhaitée atteinte, le four émet six longs signaux sonores.

Comment régler le thermostat en cours de cuisson ?

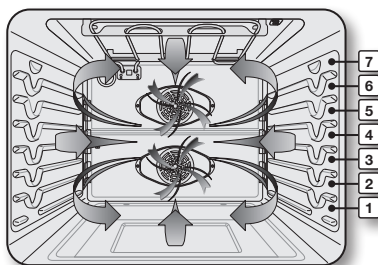
- Démarrez le réglage.
Appuyez sur **Cuisson**. La température actuelle s'affiche (ex. : 375 °F).
- Saisissez la température de votre choix (ex. : 425 °F) à l'aide du pavé numérique.
- Terminez votre saisie en appuyant le bouton **Démarrage/Réglage du four**.

 Si vous laissez la porte de four ouverte pendant plus de 2 minutes quand le four est allumé, tous les éléments chauffants se couperont automatiquement.

 La cuisson terminée, le ventilateur continuera à fonctionner jusqu'à ce que le four ait refroidi.

 Pour des raisons de performance, le ventilateur de convection peut s'allumer ou s'éteindre durant le fonctionnement.

CUISSON PAR CONVECTION



La fonction de cuisson par convection permet d'accélérer la cuisson. Vous pouvez programmer la cuisson par convection pour toute température comprise entre 175 °F et 550 °F.


Lors de la cuisson par convection, un ventilateur permet de faire circuler la chaleur de façon homogène et continue dans le four. Cette distribution efficace de la chaleur vous permet d'obtenir une cuisson homogène et excellente lorsque vous utilisez plusieurs grilles dans le même temps. Les aliments cuits sur une seule grille cuisent en général plus vite et de façon plus homogène en mode de cuisson par convection. La cuisson sur plusieurs grilles nécessite généralement des temps de cuisson plus importants pour certains aliments. Mais en définitive, elle permet des gains de temps. Les pains et pâtisseries dorent plus uniformément.





Conseils pour la cuisson par convection

Le temps gagné dépend de la quantité et du type d'aliments que vous cuisinez. Pour cuire des petits gâteaux ou des biscuits, utilisez de préférence des plats sans rebords ou dont les rebords sont très bas afin que l'air chauffé circule autour de la nourriture. L'utilisation d'un moule à revêtement foncé réduit le temps de cuisson.

Lorsque vous cuisez des aliments par convection sur une seule grille, positionnez la grille sur la **hauteur 4**. Si vous utilisez plusieurs grilles, positionnez-les aux **niveaux 2 et 5** (lorsque vous cuisez des cookies) ou **aux niveaux 2 et 4** (lorsque vous cuisez des gâteaux).

Comment régler le four pour la cuisson par convection ?

1. Lancez le mode de cuisson par convection.
Appuyez sur  **Cuisson**. La température par défaut est de 350 °F.
2. Saisissez la température de votre choix (ex. : 400 °F) à l'aide du pavé numérique. Veillez à bien saisir la température correspondant à la recette.
3. Appuyez sur le bouton **Démarrage/Réglage du four** pour lancer la cuisson par convection.
L'icône Cuisson par convection ainsi que la température réglée (ex. : 400 °F) s'affichent pendant 2 secondes.
La température affichée change dès que le four atteint 175 °F.
Un bip retentit 6 fois lorsque le four atteint la température réglée.
4. Appuyez sur la touche **Arrêt du four** pour désactiver ou annuler la cuisson par convection.


-  La ventilation de la cuisson par convection se désactive dès que la porte du four est ouverte. ÉVITEZ de laisser la porte ouverte pendant une période prolongée lorsque vous utilisez la cuisson par convection. Sinon, vous réduisez la durée de vie de l'élément de chauffe par convection.
-  Si vous laissez la porte de four ouverte pendant plus de 2 minutes quand le four est allumé, tous les éléments chauffants se couperont automatiquement.
-  La cuisson terminée, le ventilateur continuera à fonctionner jusqu'à ce que le four ait refroidi.
-  Pour des raisons de performance, le ventilateur de convection peut s'allumer ou s'éteindre durant le fonctionnement.





RÔTISSAGE PAR CONVECTION

Le rôtissage par convection est conseillé pour la cuisson de morceaux de viande très tendres qu'il faut préparer sans couvrir.

La chaleur provient de l'élément chauffant supérieur. Le ventilateur de convection distribue l'air chauffé de manière uniforme sur la nourriture et autour. La viande et la volaille sont dorées de toute part, comme après une cuisson en rôtissoire. L'air chauffé se mélange rapidement au jus pour une cuisson moelleuse et tendre du morceau tout en dorant parfaitement l'extérieur.

Comment régler le four pour le rôtissage par convection ?

1. Lancez le mode de rôtissage par convection.
Appuyez sur  **Rôtir**. La température par défaut est de 350 °F.
 2. Saisissez la température de votre choix (ex. : 400 °F) à l'aide du pavé numérique.
 3. Appuyez sur **Démarrage/Réglage du four** pour lancer le rôtissage par convection.
L'icône Rôtissage par convection et la température réglée (ex. : 400 °F) s'affichent pendant 2 secondes.
La température affichée change dès que le four atteint 175 °F.
Un bip retentit 6 fois lorsque le four atteint la température réglée.
 4. Appuyez sur la touche **Arrêt du four** pour désactiver ou annuler le rôtissage par convection.
-

-  La ventilation de la cuisson par convection se désactive dès que la porte du four est ouverte. ÉVITEZ de laisser la porte ouverte pendant une période prolongée lorsque vous utilisez la cuisson par convection. Sinon, vous réduisez la durée de vie de l'élément de chauffe par convection.
-  Si vous laissez la porte de four ouverte pendant plus de 2 minutes quand le four est allumé, tous les éléments chauffants se couperont automatiquement.
-  La cuisson terminée, le ventilateur continuera à fonctionner jusqu'à ce que le four ait refroidi.
-  Pour des raisons de performance, le ventilateur de convection peut s'allumer ou s'éteindre durant le fonctionnement.

CUISSON MINUTÉE

Durant la cuisson minutée, le four s'allume immédiatement et fonctionne pendant la durée que vous avez sélectionnée. À la fin du temps de cuisson, le four s'éteint automatiquement.

- Vous ne pouvez utiliser la fonction de durée de cuisson qu'en parallèle avec une autre option de cuisson (Cuisson traditionnelle, Cuisson par convection, Rôtissage par convection, Cuisson saine ou Cuisson favorite).

Comment régler le four pour la cuisson minutée ?

1. Entrez le réglage.
Appuyez sur le bouton correspondant à la fonction de cuisson souhaitée, par ex : **Cuisson par convection**. La température par défaut est de 350 °F.
 2. Saisissez la température de votre choix (ex. : 375 °F) à l'aide du pavé numérique.
 3. Appuyez sur la touche **Temps de cuisson**
 4. Saisissez le temps de cuisson de votre choix (ex. : 45 min) à l'aide du pavé numérique.
Pour régler le temps de cuisson, sélectionnez une durée comprise entre 1 minute et 9 heures 99 minutes.
 5. Appuyez sur le bouton **Démarrage/Réglage du four** pour lancer la cuisson.
La température affichée change dès que le four atteint 175 °F.
Le four continue de chauffer jusqu'à ce que la durée réglée s'écoule, puis s'éteint automatiquement sauf si la fonction de maintien au chaud a été réglée (reportez-vous au chapitre relatif à la fonction de maintien au chaud, page 50).
 6. Vous pouvez annuler un temps de cuisson à tout moment en appuyant sur **Arrêt du four**.
-



Si la recette l'indique, enfournez la nourriture une fois le four préchauffé. Le préchauffage est essentiel pour la cuisson de gâteaux, biscuits, pâte et petits pains. Une fois la température souhaitée atteinte, le four émet six longs signaux sonores.



Soyez prudent lorsque vous utilisez les fonctions de **temps de cuisson** ou de **départ différé**. Utilisez ces fonctions pour la cuisson des viandes salées ou surgelées ainsi que de la plupart des fruits et légumes. Les aliments pouvant s'altérer facilement (ex. : lait, œufs, poisson, viande ou volaille) doivent sortir directement du réfrigérateur. Même réfrigérés, ces aliments ne doivent pas reposer au four pendant plus d'une heure avant le démarrage de la cuisson. De plus, ils doivent être retirés rapidement une fois la cuisson terminée. La consommation d'aliments gâtés peut entraîner des maladies liées à un empoisonnement alimentaire.

DÉPART DIFFÉRÉ

Durant la cuisson minutée différée, la minuterie du four permet d'allumer et d'éteindre le four aux heures que vous avez sélectionnées préalablement.

- Vous ne pouvez utiliser la fonction de Départ différé qu'en parallèle avec une autre option de cuisson (Cuisson traditionnelle, Cuisson par convection, Rôtissage par convection, Cuisson saine ou Cuisson favorite).
- Vous pouvez régler le four pour un départ différé avant de régler les autres options de cuisson.
- L'horloge doit être réglée sur l'heure actuelle.

Comment régler le four pour le départ différé ?

1. Positionnez la ou les grilles du four sur la hauteur appropriée et enfournez les aliments.
2. Entrez le réglage.
Appuyez sur le bouton correspondant à la fonction de cuisson souhaitée, par ex : **Cuisson par convection**. La température par défaut est de 350 °F.
3. À l'aide du pavé numérique, saisissez la température de votre choix (ex. : 375 °F).
4. Appuyez sur la touche **Temps de cuisson**.
5. Saisissez le temps de cuisson de votre choix (ex. : 45 min) à l'aide du pavé numérique.
Pour régler le temps de cuisson, sélectionnez une durée comprise entre 1 minute et 9 heures 99 minutes.
6. Appuyez sur **Départ différé**.
7. Saisissez l'heure à laquelle vous souhaitez que le four s'allume (ex. : 4h 30) à l'aide du pavé numérique.
8. Appuyez sur **Démarrage/Réglage du four**.
À l'heure réglée, un court signal sonore retentit. Le four commence alors à chauffer. Une fois la température souhaitée atteinte, le four émet six longs signaux sonores.



Si la recette l'indique, enfournez la nourriture une fois le four préchauffé. Le préchauffage est essentiel pour la cuisson de gâteaux, biscuits, pâte et petits pains. Une fois la température souhaitée atteinte, le four émet six longs signaux sonores.

CUISSON AU GRIL

Le mode de cuisson au gril est le mode le plus adapté aux viandes, aux poissons et à la volaille d'une épaisseur maximale de 1". La cuisson au gril est une méthode de cuisson des morceaux de viande tendres utilisant la chaleur directe sous le gril du four. La chaleur élevée permet de cuire plus rapidement et permet de brunir les aliments. La sonde thermique ne peut pas être utilisée avec ce mode.

Comment régler le four pour la cuisson au gril ?

1. Sélectionnez le réglage de votre choix pour le gril.

Appuyez sur **Gril**.

Vous pouvez sélectionner Hi ou Lo en appuyant sur **HI+ (ÉLEVÉE+)** ou **LO- (FAIBLE-)**.

Sélectionnez Lo (Faible) pour cuire des aliments tels que de la volaille ou des morceaux épais de viande sans risquer de trop les brunir.

2. Démarrez la fonction Gril.

Appuyez sur **Démarrage/Réglage du four**.

Faites cuire un premier côté au gril jusqu'à ce qu'il dore. Retournez et faites griller le deuxième côté.

3. Appuyez sur la touche **Arrêt du four** une fois la cuisson terminée ou pour annuler la cuisson au gril.



Ce four est conçu pour la cuisson au gril avec PORTE FERMÉE.

La porte du four doit être fermée pendant la cuisson au gril des aliments.



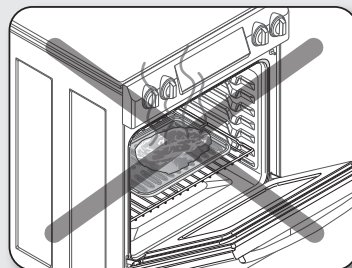
Si vous laissez la porte de four ouverte pendant plus de 2 minutes quand le four est allumé, tous les éléments chauffants se couperont automatiquement.



La cuisson terminée, le ventilateur continuera à fonctionner jusqu'à ce que le four ait refroidi.



Utilisez toujours ce mode de cuisson avec la porte du four fermée.



Soyez prudent lorsque vous ouvrez la porte. Laissez l'air chaud ou la vapeur s'échapper avant de retirer les aliments du four ou de les placer à l'intérieur.

Guide de recommandations concernant la cuisson au gril

Les temps de cuisson au gril dépendent de la taille, du poids, de l'épaisseur, de la température de départ ainsi que de vos préférences de cuisson.

Ce guide est basé sur des aliments à la température du réfrigérateur.

Utilisez toujours une lèchefrite et sa grille lors de la cuisson au gril.

Préchauffez toujours le four pendant 5 minutes avant la cuisson au gril.

Type d'aliment	Cuisson	Dimensions	Épaisseur	Hauteur de grille	Temps de cuisson	
					1er côté	2ème côté
Hamburgers	Moyen	9 boulettes	3/4"	6	3:00	2:30
	Moyen	9 boulettes	1"	6 (ou 7)	3:30	3:00
	Moyen	16 boulettes	1"	6	4:00	3:00
Toasts	-	9 toasts	-	5	0:50	0:35

Type d'aliment	Cuisson	Dimensions	Epaisseur	Hauteur de grille	Temps de cuisson	
					1er côté	2ème côté
Biftecks	Saignant	-	1"	5	5:00	3:30-4:00
	Moyen	-	1-1½"	5	7:00	5:00-6:00
	Bien cuit	-	1½"	5	8:00	6:00-7:00
Morceaux de poulet	Bien cuit	4.5 li.	1/2-3/4"	2	18:00-20:00	11:00-15:00
	Bien cuit	2-2½ li.	1/2-3/4"	2	13:00-15:00	8:00-11:00
Côtelettes de porc	Bien cuit	1 li.	1/2"	3 ou 2	9:00-10:00	7:00-9:00
Côtelettes d'agneau	Moyen	10-12 oz.	1"	3 ou 2	5:00	4:00-5:00
	Bien cuit	1 li.	1½"	3 ou 2	7:00	6:00-8:00
Filets de poisson	Bien cuit	-	1/4-1/2"	3 ou 2	5:00-9:00	3:00-4:00
Tranches de jambon (précuites)	-	-	1/2"	3 ou 2	5:00	4:00

UTILISATION DE LA FONCTION CUISSON FAVORITE

La fonction Cuisson favorite vous permet d'enregistrer jusqu'à 3 recettes pré-réglées. Vous pouvez utiliser la fonction de cuisson favorite pour la cuisson, la cuisson par convection ou le rôtissage par convection. Elle est incompatible avec toute autre fonction, y compris le départ différé.

Comment enregistrer une recette pré-réglée ?

1. Appuyez sur la touche du mode de cuisson que vous souhaitez enregistrer (ex : **Cuisson**). La température par défaut est de 350 °F.
2. À l'aide du pavé numérique, saisissez la température de votre choix (ex. : 375 °F).
3. Appuyez sur la touche **Temps de cuisson**.
4. Saisissez le temps de cuisson de votre choix (ex. : 45 min) à l'aide du pavé numérique.
5. Vous pouvez mémoriser une recette dans l'une des trois positions cuisson favorite. Appuyez sur **Cuisson favorite** le nombre de fois correspondant à la position dans laquelle vous voulez enregistrer le réglage. ex. pour **Cuisson favorite** position 2, appuyez deux fois sur **Cuisson favorite**.
Les recettes pré-réglées peuvent être mémorisées aux positions 1, 2 ou 3.
6. Appuyez sur **Démarrage/Réglage du four**.

Comment appeler un réglage ?

1. Appuyez sur la touche **Cuisson favorite** le nombre de fois correspondant à la position sous laquelle vous souhaitez mémoriser la recette pré-réglée. Par exemple, pour la position Favorite Cook 2 (Cuisson favorite 2), appuyez sur la touche **Cuisson favorite** deux fois.
2. Démarrez la cuisson mémorisée.
Appuyez sur **Démarrage/Réglage du four**.

UTILISATION DE LA FONCTION CUISSON SAINE

1. Riz mijoté

La fonction Rice casserole (Riz mijoté) offre une méthode de cuisson plus saine pour la cuisson du riz mijoté contenant des légumes, des herbes, des blancs de poulet, etc.

Lorsque vous utilisez cette fonction, il n'est pas nécessaire de préchauffer le four avant la cuisson. La température de cuisson et le temps de cuisson varient en fonction de la quantité et des ingrédients.

Réglage de la fonction Riz mijoté

1. Appuyez sur **Cuisson saine**. La température par défaut est de 375 °F.
 2. Appuyez sur **1** (Rice casserole) (Riz mijoté) sur le pavé numérique.
Saisissez la température désirée sur le pavé numérique.
 3. Appuyez sur le bouton **Démarrage/Réglage du four** pour lancer la cuisson du riz mijoté.
-



Pour un résultat optimal, faites cuire les plats de riz mijoté avec garniture sans couvercle, et les ragoûts et viandes braisées couverts pour éviter l'évaporation.

2. Pommes de terre au four

Le mode Pommes de terre au four est spécialement conçu pour cuire des pommes de terre ou des pommes de terre douces.

Lorsque vous utilisez cette fonction, il n'est pas nécessaire de préchauffer le four avant la cuisson.

Comment régler la fonction Pommes de terre au four ?

1. Appuyez sur **Cuisson saine**. La température par défaut est de 375 °F.
 2. Appuyez sur **2** (Rice casserole) (Riz mijoté) sur le pavé numérique.
Saisissez la température désirée sur le pavé numérique.
 3. Appuyez sur **Démarrage/Réglage du four**.
-

3. Poulet grillé

Le mode Poulet grillé est spécialement conçu pour cuire des morceaux de poulet ou des blancs de poulet.

Lorsque vous utilisez cette fonction, il n'est pas nécessaire de préchauffer le four au préalable.

Si vous souhaitez éviter un brunissage excessif et un dessèchement de la peau, recouvrez le blanc de papier aluminium.

Réglage de la fonction Poulet grillé

1. Appuyez sur **Cuisson saine**. La température par défaut est de 350 °F.
 2. Appuyez sur **3** Poulet grillé sur le pavé numérique.
Saisissez la température désirée sur le pavé numérique.
-

4. Steak de saumon

Cette fonction est spécialement conçue pour cuire les steaks de saumon.

Lorsque vous utilisez cette fonction, il n'est pas nécessaire de préchauffer le four avant la cuisson.

La température de cuisson et le temps de cuisson varient en fonction de la quantité et de l'épaisseur.

Comment régler la fonction Steak de saumon ?

1. Appuyez sur **Cuisson saine**. La température par défaut est de 350 °F.
 2. Appuyez sur **4** Steak de saumon sur le pavé numérique.
Saisissez la température désirée sur le pavé numérique.
 3. Appuyez sur **Démarrage/Réglage du four**.
-

5. Filet de poisson blanc

Cette fonction est spécialement conçue pour cuire les filets de poisson blanc.

Lorsque vous utilisez cette fonction, il n'est pas nécessaire de préchauffer le four avant la cuisson.

La température de cuisson et le temps de cuisson varient en fonction de la quantité et de l'épaisseur.

Comment régler la fonction Filet de poisson blanc ?

1. Appuyez sur **Cuisson saine**. La température par défaut est de 375 °F.
2. Appuyez sur **5** Filet de poisson blanc sur le pavé numérique.
Saisissez la température désirée sur le pavé numérique.
3. Appuyez sur **Démarrage/Réglage du four**.

Guide de recommandations pour une cuisson saine

Le guide ci-dessous contient des recommandations pour utiliser la fonction Cuisson saine. Ce tableau n'est communiqué qu'à titre indicatif.

Lorsque vous utilisez cette fonction, il n'est pas nécessaire de préchauffer le four avant la cuisson.

Type d'aliment	Quantité	Hauteur de grille	Température par défaut (°F)	Temp. du four (°F)	Temps de cuisson (min)	Consignes
Riz mijoté	17.5 oz (500 g)	4	375	375 à 425	40-50	Placez une tasse de riz instantané, quelques légumes (carotte, oignon, courgette, aubergine etc.) et des blancs de poulet dans un plat. Versez une tasse de consommé chaud dans le plat et recouvrez-le avec un couvercle ou un papier aluminium. Pour éviter que le fond n'attache, n'utilisez pas un plat émaillé ou en fer.
Pommes de terre au four	6 unités	3	375	375 à 425	30-40	Placez 6 pommes de terre sur un plateau ou un plat. Ne coupez pas les pommes de terre en deux. Assaisonnez les pommes de terre après cuisson si vous le souhaitez.
Steak de saumon	3 portions 19,5 oz (550 g)	5	350	350 à 425	30-40	Placez les steaks de saumon sur un plateau ou un plat. Assaisonnez le saumon après cuisson si vous le souhaitez.
Poulet grillé	Morceaux de poulet 1 à 1.2 kg	2	350	350 à 425	30-40	Placez les morceaux de poulet sur un plateau ou un plat. Assaisonnez le poulet après cuisson si vous le souhaitez.
	Blancs de poulet 4 à 6 unités	2	350	350 à 425	30-40	Placez les blancs de poulet (1/8 à 4/10 de pouce d'épaisseur) sur une lèchefrite ou un plat. Assaisonnez le poulet après cuisson si vous le souhaitez. Si vous souhaitez éviter un brunissage excessif ou un dessèchement, recouvrez le poulet de papier aluminium.

Type d'aliment	Quantité	Hauteur de grille	Température par défaut (°F)	Temp. du four (°F)	Temps de cuisson (min)	Consignes
Filet de poisson blanc	(4 escalopes) (550 g)	5	375	350 à 425	20-30	Placez les filets de poisson sur une lèchefrite ou un plat. Assaisonnez le poisson après cuisson si vous le souhaitez. Si vous souhaitez éviter un brunissage excessif ou un dessèchement, recouvrez le poisson de papier aluminium.

UTILISATION DE LA FONCTION DE MAINTIEN AU CHAUD

La fonction de maintien au chaud permet de maintenir la température du four à 170 °F et de conserver des aliments cuits au chaud jusqu'à 3 heures après leur cuisson en vue de les servir.

Au bout de 3 heures, le four s'éteint automatiquement. Cette fonction peut être utilisée indépendamment de toute autre cuisson et, moyennant un réglage, peut s'activer directement après la cuisson minutée ou différée.

N'utilisez pas cette fonction pour faire réchauffer des aliments froids.

Utilisation de la fonction Maintien au chaud

1. Appuyez sur la touche **Maintien au chaud**.
2. Appuyez sur **Démarrage/Réglage du four**.
3. Appuyez sur la touche **Arrêt du four** dès que vous souhaitez désactiver la fonction.

Comment activer le mode de maintien au chaud après la cuisson minutée ?

1. Réglez le four pour la **Cuisson programmée**.
(Reportez-vous au chapitre relatif à la fonction de cuisson minutée, page 44).
2. Appuyez sur la touche **Maintien au chaud** avant d'appuyer sur **Démarrage/Réglage du four** pour lancer la cuisson.
3. Appuyez sur la touche **ARRÊT DU FOUR** dès que vous souhaitez désactiver la fonction.

UTILISATION DE LA FONCTION DE PAIN PRÉCUIT

La fonction Pain précuit fournit automatiquement la température optimale pour le processus de levée du pain. Par conséquent, aucun réglage de température n'est nécessaire.

Si vous appuyez sur la touche **Pain précuit** alors que la température du four est supérieure à 100 °F, l'indication Chaud s'affiche. Pour assurer des résultats optimaux, il est préférable de démarrer cette fonction à four froid. C'est pourquoi, nous vous conseillons d'attendre que le four ait refroidi et que l'indication Chaud disparaisse de l'affichage.

1. Appuyez sur **Pain précuit**.
2. Appuyez sur **Démarrage/Réglage**.
3. Appuyez sur la touche **Arrêt du four** dès que vous souhaitez désactiver la fonction Pain précuit.

UTILISATION DE LA FONCTION DES OPTIONS

Cette fonction vous permet de contrôler plusieurs options de commande électronique. Ces options comprennent le réglage de la température, l'unité de température, la conversion automatique, le format 12 heures ou le format 24 heures, l'économie d'énergie après 12 heures, la langue, l'activation/la désactivation du son, et le mode de démonstration.

Le menu des options est disponible uniquement lorsque le four n'est pas utilisé (aucune cuisson).

Options	Fonction
1. Réglage de la température	Vous permet de corriger la température du four.
2. Unité de température	Le four peut être programmé pour afficher la température en degrés Fahrenheit ou Celsius.
3. Conversion automatique	La fonction de conversion automatique de la convection convertit les températures de cuisson normales saisies en températures de cuisson par convection.
4. Heure du jour	Vous permet de régler l'horloge pour afficher l'heure du jour en mode 12 heures ou 24 heures.
5. Économie d'énergie après 12 heures	Cette fonction viendra automatiquement éteindre le four après 12 heures d'utilisation en mode Cuisson ou 3 heures en mode gril.
6. Langue	Vous permet de sélectionner l'anglais, le français ou l'espagnol.
7. Activation/désactivation du son	Vous permet de régler le four et ses commandes sur un mode silencieux.
8. Mode de démonstration	Cette option est destinée à être utilisée par les points de vente au détail à des fins d'affichage uniquement.

Réglage de la température

Les températures du four ont été étalonnées en usine. Lorsque vous utilisez votre four pour la première fois, veillez à respecter les temps et températures de cuisson. Si vous pensez que la température est trop élevée ou trop basse, vous pouvez la corriger une nouvelle fois. Avant de la corriger, essayez une recette en sélectionnant une température supérieure ou inférieure à celle recommandée. Les résultats de cuisson devraient vous indiquer si un nouveau réglage est nécessaire ou non.

La température du four peut être réglée à ± 35 °F (± 19 °C).

Comment corriger la température du four ?

1. Appuyez sur **Options** et sur **1** sur le pavé numérique.
2. Appuyez sur **Hi+ (Élevé+)** ou **Lo- (Faible-)** pour sélectionner une température supérieure ou inférieure à celle recommandée.
3. Saisissez le réglage souhaité à l'aide du pavé numérique. (0~35)
4. Appuyez sur **Démarrage/Réglage du four** pour enregistrer les modifications.



Ce réglage n'affecte en rien les températures de la cuisson au gril ou du cycle d'auto-nettoyage. Le réglage sera conservé en mémoire même après une coupure de courant.

Unité de température (Sélection de la température en Fahrenheit ou Celsius)

Le four peut être programmé pour afficher la température en degrés Fahrenheit ou Celsius. Par défaut, le four est réglé pour que la température s'affiche en degrés Fahrenheit.

Comment passer des degrés Fahrenheit aux degrés Celsius et inversement ?

1. Appuyez sur **Options** et sur **2** sur le pavé numérique.
2. Appuyez sur **1** (Fahrenheit) ou **2** (Celsius) sur le pavé numérique.
3. Appuyez sur **Démarrage/Réglage du four** pour enregistrer les modifications.

Conversion automatique

Lorsque vous utilisez la fonction de conversion automatique, la fonction de convection par conversion automatique permet de convertir automatiquement les températures de la cuisson classique en températures de cuisson par convection.

Si cette fonction est activée, l'affichage indique la température réelle convertie (réduite). Par exemple, si vous sélectionnez une température de cuisson classique de 350 °F et si vous appuyez sur la touche Démarrage/Réglage du four, l'affichage indique la température convertie, soit 325 °F.

(Réglage par défaut : arrêt)

Comment désactiver ou activer la fonction de conversion automatique ?

1. Appuyez sur **Options** et sur **3** sur le pavé numérique.
 2. Appuyez sur **1** (Désactivée) ou **2** (Activée) sur le pavé numérique.
 3. Appuyez sur **Démarrage/Réglage du four** pour enregistrer les modifications.
-

Heure du jour (12 heures/24 heures)

Les commandes du four peuvent être programmées pour afficher l'heure du jour en mode 12 heures ou 24 heures.

Le four a été pré-réglé par défaut pour un affichage en mode 12 heures.

Comment passer l'affichage de l'heure du format 12 heures au format 24 heures ?

1. Appuyez sur **Options** et sur **4** sur le pavé numérique.
 2. Appuyez sur **1** (12 heures) ou **2** (24 heures) sur le pavé numérique.
 3. Appuyez sur **Démarrage/Réglage du four** pour enregistrer les modifications.
-

Économie d'énergie après 12 heures

Si vous oubliez d'éteindre votre four, cette fonction assure la désactivation automatique des commandes après 12 heures d'utilisation des fonctions de cuisson ou après 3 heures d'utilisation de la fonction Gril.

Comment activer ou désactiver la fonction d'économie d'énergie après 12 heures ?

1. Appuyez sur **Options** et sur **5** sur le pavé numérique.
 2. Appuyez sur **1** (Désactivée) ou **2** (Activée) sur le pavé numérique.
 3. Appuyez sur **Démarrage/Réglage du four** pour enregistrer les modifications.
-

Langue

Vous pouvez sélectionner l'anglais, le français ou l'espagnol. Par défaut, la langue utilisée est l'anglais.

Comment changer la langue sur l'affichage ?

1. Appuyez sur **Options** et sur **6** sur le pavé numérique.
 2. Appuyez sur **1** (EN), **2** (FR) ou **3** (SP) sur le pavé numérique.
 3. Appuyez sur **Démarrage/Réglage du four** pour enregistrer les modifications.
-

Activation/désactivation du son

Cette fonction vous permet de désactiver la sonorité des boutons de commande.

Comment activer ou désactiver le son ?

1. Appuyez sur **Options** et sur **7** sur le pavé numérique.
2. Appuyez sur **1** (Désactivée) ou **2** (Activée) sur le pavé numérique.
3. Appuyez sur **Démarrage/Réglage du four** pour enregistrer les modifications.

Mode démo

Cette option est destinée à être utilisée par les points de vente au détail à des fins d'affichage uniquement. (L'élément chauffant ne fonctionne pas.)

Comment activer ou désactiver le mode démo ?

1. Appuyez sur **Options** et sur **8** sur le pavé numérique.
2. Appuyez sur **1** (Désactivée) ou **2** (Activée) sur le pavé numérique.
3. Appuyez sur **Démarrage/Réglage du four** pour enregistrer les modifications.

UTILISATION DE LA SONDE THERMIQUE

Pour de nombreux aliments, en particulier les rôtis et la volaille (bœuf, poulet, dinde, porc, agneau, etc.), le meilleur moyen de déterminer si les aliments sont bien cuits, c'est de mesurer la température interne.

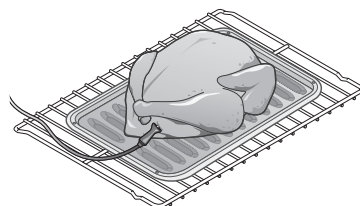
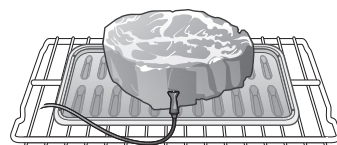
La sonde thermique vous permet de faire cuire la viande à la température interne que vous souhaitez et vous permet ainsi de déterminer plus facilement si la viande est cuite.

Cette fonction peut être utilisée avec la Cuisson, la Cuisson par convection ou le Rôtissage par convection.

Une fois que la température interne des aliments atteint 100 °F, l'augmentation de la température interne sera affichée à l'écran.

Comment utiliser la sonde thermique ?

1. Enfoncez la pointe de la sonde thermique dans la viande aussi loin que possible, de sorte qu'elle soit bien au centre de la viande.
 - Insérez la sonde complètement dans la viande comme indiqué dans les illustrations. Elle ne doit pas toucher les os, le gras ou les cartilages.
 - Si la sonde n'est pas complètement insérée dans la viande, la fonction Sonde thermique ne fonctionne pas correctement car la sonde détecte la température du four, et non la température de la viande.
 - Pour la viande non désossée, insérez la sonde au centre de la partie la plus basse et la plus épaisse de morceau.
 - Pour toute la volaille (dinde, gros poulets, etc.), insérez la sonde dans la partie la plus épaisse de l'intérieur des cuisses, parallèlement à la patte.
 - Si vous activez la fonction Maintien au chaud pour maintenir la viande au chaud après la cuisson en utilisant la fonction Sonde de température, la température interne de la viande dépassera la température souhaitée.



2. Insérez la fiche de la sonde thermique dans la prise sur la paroi supérieure du four aussi loin qu'elle peut aller.
3. Choisissez la fonction de cuisson souhaitée (Cuisson, Cuisson par convection, Rôtissage par Convection) ainsi que la température..
4. Appuyez sur **Sonde de temp.** pour régler la température interne souhaitée.
5. Réglez la température interne souhaitée en appuyant sur le pavé numérique.

Températures disponibles	100 °F à 200 °F
--------------------------	-----------------
6. Si vous voulez utiliser la fonction Temps de cuisson, Départ différé ou Maintien au chaud, réglez chaque fonction.
7. Appuyez sur **Démarrage/Réglage du four.**
8. Lorsque la température interne souhaitée est atteinte, la fonction s'arrête automatiquement et l'alarme sonne.



Afin de protéger la pointe de la sonde thermique, veillez à ne pas insérer la sonde de sorte que la pointe dépasse de la surface de la viande. Assurez-vous que la pointe est au centre de la viande ou près du centre.



- N'entrez pas la sonde dans le four.
- Ne laissez pas la sonde à l'intérieur du four lors d'un cycle d'auto-nettoyage ou de cuisson au gril. Cela pourra endommager la sonde et son fonctionnement.
- Pour éviter de rompre la pointe de la sonde, décongelez complètement vos aliments.
- N'utilisez pas de pince lors de l'insertion ou de l'extraction de la sonde. Cela peut endommager la sonde.
- N'utilisez la sonde thermique que pour la cuisson avec la fonction Sonde de température. N'utilisez pas la sonde thermique à d'autres fins.



Si vous retirez la sonde thermique alors que la fonction Sonde de température est en cours de fonctionnement ou si vous insérez la sonde thermique lors d'une cuisson normale, la cuisson s'arrêtera au bout d'1 minute.



Si vous utilisez la sonde pour cuire des aliments surgelés, dans certains cas elle ne peut pas être détectée. (L'icône de la sonde de température n'apparaît pas sur l'affichage.)

Tableau de la sonde thermique

Type d'aliment		Température interne
Bœuf / Agneau	Saignant	140 à 150 °F
	Moyen	160 à 170 °F
	Bien cuit	175 à 185 °F
Porc		175 à 185 °F
Volaille		185 à 195 °F



Si vous couvrez la viande avec du papier aluminium et si vous la laissez reposer pendant 10 minutes après la cuisson, la température interne augmentera de 5 à 10 degrés.

Extraction de la sonde thermique

Retirez la fiche de la sonde thermique de la prise.



Après la cuisson, la sonde thermique est encore chaude et peut entraîner des brûlures.

RÉGLAGE DE LA FONCTION SHABBAT

(Utilisée pour les fêtes et le Shabbat juifs)



Pour en savoir plus et obtenir des instructions d'utilisation et une liste complète des modèles avec la fonction Shabbat, veuillez visiter le site Web sur <http://www.star-k.org>.

Vous pouvez utiliser la fonction Shabbat pour la cuisson uniquement. La température du four peut être augmentée ou réduite après que la fonction Shabbat a été réglée (la fonction de réglage de la température du four ne devrait être utilisée que durant les fêtes juives). Cependant, l'affichage ne change pas et les signaux sonores ne sont pas émis lors des changements. Une fois la fonction Shabbat correctement activée pour la cuisson, le four reste allumé jusqu'à l'annulation de la fonction. Ce réglage écrase la fonction d'économie d'énergie après 12 heures, qui est réglée par défaut. Si vous souhaitez allumer l'éclairage durant le Shabbat, appuyez sur la touche **Éclairage du four** avant d'activer la fonction Shabbat. Une fois l'éclairage allumé et la fonction Shabbat activée, le four reste allumé jusqu'à l'arrêt de la fonction Shabbat. Si vous souhaitez éteindre l'éclairage, veuillez à désactiver l'éclairage du four avant d'activer la fonction Shabbat.

Comment utiliser la fonction Shabbat ?

1. Appuyez sur **Cuisson**.
La température par défaut est de 350 °F.
2. Saisissez la température de votre choix (ex. : 375 °F) à l'aide du pavé numérique.
3. Appuyez sur **Démarrage/Réglage du four**.
La température affichée change dès que le four atteint 175 °F.
4. Appuyez sur **Cuisson** et **Touche de réveil** simultanément pendant 3 secondes.
L'affichage indique alors **SAb**.
Une fois que l'indication SAb (Shabbat) est affichée, les commandes du four n'émettent plus de signal sonore et l'affichage reste inchangé.
Vous pouvez modifier la température du four une fois la cuisson commencée. N'oubliez pas que les commandes du four n'émettent plus de signal sonore et que l'affichage reste inchangé une fois la fonction Shabbat activée.
5. Vous pouvez éteindre le four à tout moment en appuyant sur la touche **Arrêt du four**. Ainsi, seul le four s'éteint. Si vous souhaitez désactiver la fonction Shabbat, maintenez enfoncés simultanément les boutons **Cuisson** et **Touche de réveil** pendant 3 secondes. L'indication SAb (Shabbat) n'est plus affichée.

- ★ Il est déconseillé d'activer un programme autre que la fonction **Cuisson** pendant que la fonction Shabbat est activée. Seules les touches suivantes fonctionnent correctement en parallèle avec la fonction Shabbat : **Pavé numérique, Cuisson, Démarrage/Réglage du four** et **Arrêt du four**. **Toutes les autres touches** ne doivent pas être utilisées tant que la fonction Shabbat est activée.
- ✍ Vous pouvez modifier la température du four, mais l'affichage restera le même et aucun signal sonore ne retentira au moment des changements. (la fonction de réglage de la température ne devrait être utilisée que durant les fêtes juives). Après avoir changé la température alors que l'unité est en mode Shabbat, un délai de 15 secondes est nécessaire avant que l'unité ne reconnaisse la modification.
- ✍ Vous pouvez régler la fonction du temps de cuisson avant d'activer la fonction Shabbat.
- ✍ En cas de coupure de courant ou d'interruption, le four s'éteint. Lors de la remise sous tension, le four ne se rallume pas automatiquement. SAb (Shabbat) s'affiche à l'écran de commande du four, mais le four ne fonctionne pas. Vous pouvez retirer les aliments du four tout en restant en mode Shabbat, cependant le four ne peut pas se rallumer après le Shabbat/Vacances. Lorsque le Shabbat est terminé, désactivez le mode Shabbat. Appuyez sur les boutons **Cuisson** et **Touche de réveil** et maintenez-les enfoncés pendant au moins 3 secondes pour désactiver le mode Shabbat. Le four peut à nouveau être utilisé normalement.
- ★ N'ouvrez pas la porte du four ni ne changez pas la température du four pendant environ 30 minutes après avoir lancé le mode Shabbat afin que le four atteigne la température spécifiée. Notez que, pour de meilleures performances, le ventilateur du four ne fonctionne que lorsque la température du four augmente.
- ✍ N'utilisez pas la surface de cuisson lorsque la cuisinière est en MODE Shabbat.

entretien de votre appareil

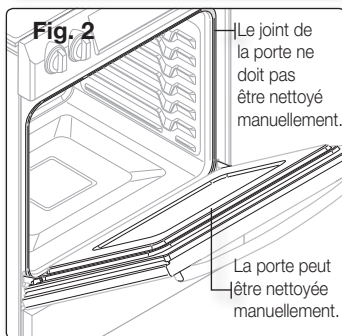
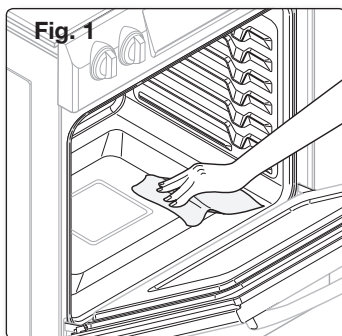
AUTO-NETTOYAGE

Le cycle d'auto-nettoyage produit une température très élevée (bien supérieure aux températures de cuisson) afin de brûler complètement les résidus de graisse ou les réduire en poudre ; il vous suffit ensuite de les retirer à l'aide d'un torchon humide.



- Durant l'auto-nettoyage, les parois externes de la cuisinière peuvent devenir extrêmement chaudes au toucher. **Ne laissez jamais** d'enfants en bas âge sans surveillance à proximité de l'appareil.
- Certains oiseaux peuvent être sensibles aux fumées émises durant les cycles d'auto-nettoyage, et ce, quel que soit l'appareil. Déplacez les oiseaux dans une autre pièce bien aérée.
- **Ne tapissez jamais** les parois, les grilles, le fond ou toute autre partie du four de papier d'aluminium. La chaleur serait ainsi mal distribuée, les résultats de cuisson altérés et l'intérieur du four endommagé de façon irréversible. Le papier aluminium peut fondre et adhérer à la surface intérieure du four.
- **Ne forcez jamais** l'ouverture de la porte du four. Vous risqueriez d'endommager le système de verrouillage automatique de la porte. Soyez vigilant lorsque vous ouvrez la porte du four une fois le cycle d'auto-nettoyage terminé. Pour permettre à l'air chaud ou à la vapeur de s'échapper, maintenez-vous sur le côté du four lorsque vous ouvrez la porte. Le four peut encore être **TRÈS CHAUD**.

Avant le cycle d'auto-nettoyage



- Durant le cycle d'auto-nettoyage, nous vous conseillons d'aérer votre cuisine en ouvrant une fenêtre ou en activant un ventilateur ou une hotte.
- Retirez la grille métallique, la lèchefrite, le gril de la lèchefrite, le papier d'aluminium et tous les ustensiles du four.
- Essuyez les résidus qui se trouvent au fond du four. (Fig. 1).
- Les grilles argentées peuvent être auto-nettoyées, mais elles noircissent, perdent leur lustre et glissent plus difficilement.
- Les résidus situés en façade de la cuisinière et ailleurs que sur le joint de la porte doivent être nettoyés à la main. Nettoyez ces zones à l'aide d'eau chaude, de tampons à récurer imbibés de savon ou d'un nettoyant doux. Rincez à l'eau claire et essuyez.
- Ne nettoyez pas le joint en lui-même. La fibre de verre utilisée pour le joint de la porte ne résiste pas au nettoyage. Le joint doit absolument rester intact. Si vous constatez qu'il s'use ou se rétracte, remplacez-le. (Fig. 2).
- Assurez-vous que la protection de l'ampoule est en place et que l'éclairage est éteint.



Retirez les grilles du four et les accessoires avant de lancer le mode d'auto-nettoyage.

Comment lancer un cycle d'auto-nettoyage

1. Sélectionnez la durée d'auto-nettoyage (ex. : 3 heures).

Appuyez sur la touche **Auto-nettoyage** une fois pour un cycle de 3 heures, deux fois pour un cycle de 4 heures ou trois fois pour un cycle de 5 heures.

Par défaut, le cycle dure 3 heures.

2. Démarrez le cycle d'auto-nettoyage.

Appuyez sur **Démarrage/Réglage du four**. Le verrouillage entraîné par moteur de la porte s'enclenche automatiquement.

3. Une fois que le cycle d'auto-nettoyage est terminé, l'indication End (Fin) s'affiche et un signal sonore retentit six fois.
-



- Vous ne pourrez pas démarrer le cycle d'auto-nettoyage si la fonction de verrouillage des commandes est activée ou si la température du four est trop élevée.
- La porte du four se verrouille automatiquement. Le temps de nettoyage restant s'affiche. La porte ne peut pas s'ouvrir tant que la température n'est pas descendue à une température sans danger/basse.

Comment différer le cycle d'auto-nettoyage ?

1. Appuyez sur la touche **Auto-nettoyage**.

Sélectionnez la durée du cycle d'auto-nettoyage de votre choix en appuyant sur la touche **Auto-nettoyage**.

2. Appuyez sur **Départ différé**.

3. Saisissez l'heure à laquelle vous souhaitez lancer l'auto-nettoyage.

4. Appuyez sur le bouton **Démarrage/Réglage du four**.

L'affichage indique départ différé, auto-nettoyage et l'icône Verrouillage. Le verrouillage entraîné par moteur de la porte s'enclenche automatiquement.

5. Le cycle d'auto-nettoyage démarre automatiquement à l'heure définie.
-

Comment désactiver la fonction d'auto-nettoyage ?

Vous pourrez arrêter ou interrompre un cycle d'auto-nettoyage si la fumée produite lors de l'opération venait à vous gêner.

1. Appuyez sur la touche **Arrêt du four**.

2. Vous pourrez à nouveau ouvrir la porte du four une fois que le four aura refroidi pendant environ une heure.
-

Après un cycle d'auto-nettoyage

- Il est possible que de la cendre reste dans le four. Essuyez-la à l'aide d'un torchon humide une fois le four refroidi (Si la cendre laisse des traces blanches, effacez-les à l'aide d'un tampon à récurer imbibé de savon et rincez abondamment à l'aide d'une solution d'eau et de vinaigre blanc).
- Si le four n'est toujours pas propre après un cycle, répétez le cycle.
- Le four ne peut être réglé pour la cuisson tant qu'il n'a pas refroidi suffisamment pour permettre l'ouverture de la porte.

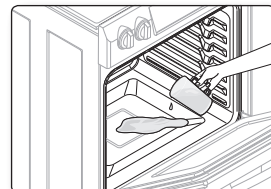
NETTOYAGE VAPEUR

Comment régler le four pour le nettoyage vapeur ?

La fonction de nettoyage vapeur permet d'effectuer un nettoyage superficiel en économisant du temps et de l'énergie. Pour nettoyer plus efficacement des résidus et particules grasses, utilisez la fonction d'auto-nettoyage.

1. Retirez tous les accessoires du four.
2. Versez environ 10 oz (300 ml) d'eau dans la sole du four vide et fermez la porte.

Utilisez uniquement de l'eau claire normale et non de l'eau distillée.



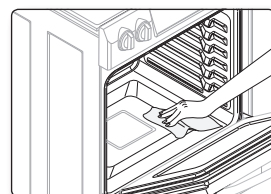
3. Appuyez sur le bouton **Nettoyage vapeur**.
4. Appuyez sur **Démarrage/Réglage du four**.

Une fois l'opération terminée, l'affichage clignote et un signal sonore retentit.

5. Appuyez sur la touche **Arrêt du four**.

6. Nettoyez l'intérieur du four.

Une quantité importante d'eau reste dans la sole du four après un cycle de nettoyage vapeur. Otez l'eau à l'aide d'une éponge ou d'un torchon sec.



★ Pour que le nettoyage vapeur offre des résultats optimaux, utilisez exactement 10 oz (300 ml) d'eau.

✍ Si vous appuyez sur la touche **Nettoyage vapeur** alors que la température du four est supérieure à 100 °F, l'indication **Chaud** s'affiche. Pour assurer des résultats optimaux, il est préférable de démarrer cette fonction à four froid. C'est pourquoi, nous vous conseillons d'attendre que le four ait refroidi et que l'indication Chaud disparaisse de l'affichage.

Après un cycle de nettoyage vapeur

- Soyez prudent lorsque vous ouvrez la porte après la fin du programme de nettoyage vapeur. L'eau située dans le fond du four est extrêmement chaude.
- Ouvrez la porte du four et épongez l'eau restante. Ne laissez pas stagner l'eau qui reste dans le four. Essuyez le four et séchez-le à l'aide d'un chiffon doux. N'oubliez pas d'essuyer sous le joint de la porte.
- Pour nettoyer la cavité du four, utilisez une éponge, une brosse souple ou un tampon à récurer en nylon imbibé(e) de nettoyant. Retirez la crasse incrustée à l'aide d'un tampon à récurer en nylon. Les dépôts de tartre peuvent être ôtés à l'aide d'un chiffon imbibé de vinaigre blanc.
- Si la saleté persiste, vous pouvez répéter l'opération une fois le four refroidi.
- Pour les résidus plus importants (ex. : graisse provenant du rôtissage), nous vous conseillons d'étaler du nettoyant sur les traces avant d'activer la fonction de nettoyage vapeur.
- Une fois le nettoyage terminé, laissez la porte du four entrebâillée (à 15°) pour permettre à la surface émaillée interne de sécher complètement.

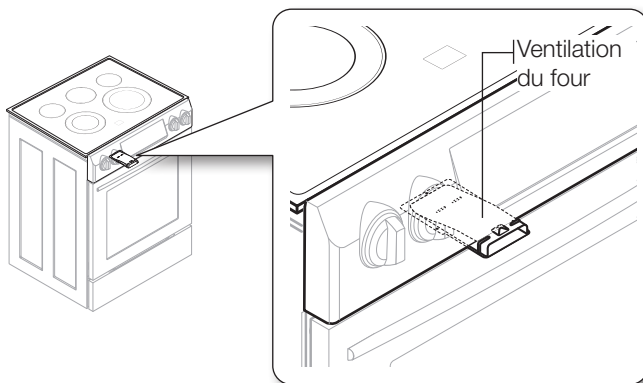
ENTRETIEN ET NETTOYAGE DU FOUR



- Avant de nettoyer une quelconque partie de la cuisinière, assurez-vous que toutes les commandes sont **DÉSACTIVÉES** et que toutes les surfaces sont **FROIDES**.
- Si vous êtes amené à déplacer votre cuisinière pour des raisons de nettoyage, réparation ou autre, assurez-vous que le dispositif anti-basculement est convenablement rétabli une fois que la cuisinière est remise en place. Si vous omettez de remettre en place le dispositif anti-basculement, la cuisinière pourrait basculer et causer de graves blessures.



Ventilation du four



- La ventilation du four se situe sous le boîtier de commande.
- Pendant le fonctionnement du four, cette zone peut devenir extrêmement chaude.
- Il est normal que la vapeur s'échappe de cet orifice.
- La ventilation est importante pour assurer une bonne circulation de l'air. Veillez à ne jamais l'obstruer.

Nettoyage des parties peintes et ornements décoratifs

- Pour le nettoyage sommaire, utilisez un torchon imbibé d'eau chaude savonneuse.
- Pour ôter les résidus incrustés et la graisse accumulée, versez un nettoyant liquide directement sur la zone et laissez agir 30 à 60 minutes. Frottez à l'aide d'un torchon humide, puis essuyez. N'appliquez jamais de nettoyants abrasifs sur ces surfaces. Ils risquent de les rayer.

Nettoyage des surfaces en inox

1. Secouez énergiquement la bouteille de nettoyant pour acier inoxydable ou de produit lustrant.
2. Versez-en une petite quantité sur un torchon ou du papier absorbant humide.
3. Nettoyez une petite zone, en frottant si possible l'inox dans le sens du grain.
4. Séchez et lustrez à l'aide de papier absorbant ou d'un torchon doux propre et sec.
5. Répétez l'opération si nécessaire.

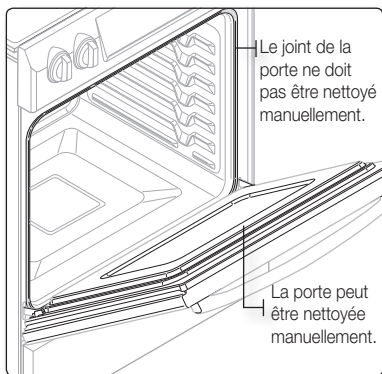


- **N'utilisez pas de tampon à récurer métallique. Il pourrait rayer la surface.**
- Si un nettoyant à base d'huile minérale a préalablement été utilisé pour nettoyer l'appareil, nettoyez la surface à l'aide de liquide vaisselle et d'eau avant d'utiliser le nettoyant pour acier inoxydable ou le produit lustrant.

Grilles de cuisson

- Si vous laissez les grilles dans le four durant un cycle d'auto-nettoyage, leur couleur deviendra légèrement bleutée et l'aspect de leur surface se ternira. Une fois le cycle d'auto-nettoyage terminé et le four refroidi, essuyez les parties latérales des grilles à l'aide d'un papier sulfurisé ou d'un chiffon légèrement huilé. Cela permettra une meilleure insertion des grilles dans leurs glissières.

Porte du four



- Utilisez du savon et de l'eau pour un nettoyage minutieux des parties supérieure, latérale et frontale de la porte du four. Rincez abondamment. Utilisez un produit vitre pour nettoyer la vitre extérieure de la porte du four. **N'IMMERGEZ PAS** la porte dans de l'eau. **NE VAPORISEZ PAS ou ne faites pas pénétrer de l'eau ou du produit vitre à l'intérieur des orifices de ventilation de la porte.** N'UTILISEZ PAS de nettoyeurs pour four, de poudres à récurer ou tout autre nettoyant fortement abrasif sur la partie extérieure de la porte du four.
- **NE NETTOYEZ PAS le joint de la porte.** Le joint de la porte est constitué d'un matériau tissé essentiel à son bon fonctionnement. Veillez à ne pas frotter, endommager ou retirer ce joint.

ENTRETIEN ET NETTOYAGE DE LA TABLE DE CUISSON VITRÉE

Nettoyage après une utilisation quotidienne

Utilisez uniquement un nettoyant céramique pour la table de cuisson. L'utilisation d'autres crèmes n'a pas la même efficacité.

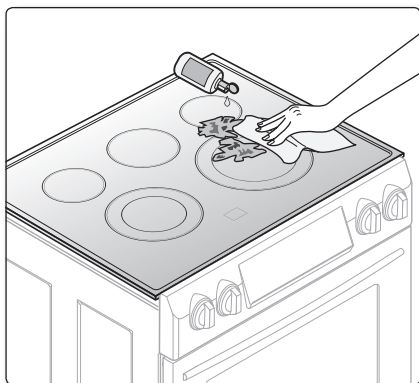
En respectant les étapes suivantes, vous parviendrez à maintenir en bon état et à protéger votre table de cuisson vitrée.

1. Avant d'utiliser votre table de cuisson pour la première fois, nettoyez-la à l'aide d'un nettoyant pour surface de cuisson en céramique. Vous protégerez ainsi la surface et faciliterez son nettoyage.
2. L'usage quotidien d'un nettoyant pour table de cuisson en céramique permet de préserver l'aspect neuf de votre table de cuisson.
3. Secouez bien la crème nettoyante. Versez quelques gouttes de nettoyant directement sur la table de cuisson.
4. Utilisez une serviette en papier ou un tampon de nettoyage pour surface de cuisson en céramique pour nettoyer l'intégralité de la table de cuisson.
5. Utilisez un chiffon sec ou une serviette en papier pour retirer tout résidu de produit nettoyant. Il est inutile de rincer.



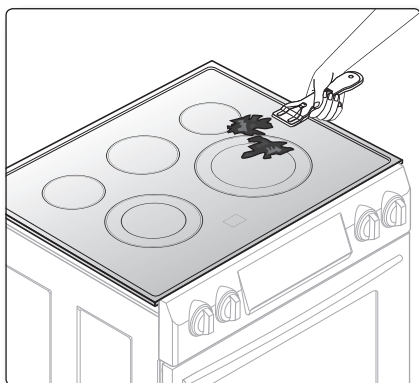
Vous risquez d'**ENDOMMAGER** votre surface vitrée si vous utilisez d'autres tampons de nettoyage que ceux recommandés.

Élimination des résidus brûlés



1. Laissez refroidir la table de cuisson.
2. Étalez quelques gouttes de nettoyant pour surface de cuisson en céramique sur l'ensemble de la surface couverte de résidus brûlés.
3. En utilisant le tampon de nettoyage conçu pour les surfaces de cuisson en céramique, frottez la zone couverte de résidus, en appuyant si nécessaire.
4. Si des résidus subsistent, répétez autant de fois que nécessaire les étapes décrites ci-dessus.
5. Pour une protection optimale, et une fois tous les résidus éliminés, frottez toute la surface à l'aide du nettoyant pour surface de cuisson en céramique et d'une serviette en papier.

Élimination des résidus importants de brûlé



1. Laissez refroidir la table de cuisson.
2. À l'aide du grattoir à lame de rasoir unique incliné d'environ 45 ° sur la surface vitrée, grattez les salissures. Vous devez appuyer et frotter pour supprimer les résidus.
3. Après avoir gratté à l'aide du grattoir à lame de rasoir, étalez quelques gouttes de nettoyant pour surface en céramique sur l'ensemble de la surface couverte de résidus brûlés. Utilisez le tampon de nettoyage pour supprimer tout résidu restant. (Ne grattez pas le joint).
4. Pour une protection optimale, et une fois tous les résidus éliminés, frottez toute la surface à l'aide du nettoyant pour surface de cuisson et d'une serviette en papier.

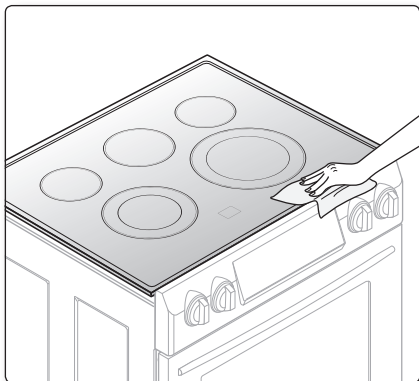
Suppression des rayures et traces de métal

1. Évitez de faire glisser les casseroles et plats sur la table de cuisson. Vous risquez ainsi de rayer la table de cuisson. Vous pouvez supprimer ces traces en appliquant un nettoyant pour surface de cuisson en céramique à l'aide d'un tampon de nettoyage pour surface de cuisson en céramique.
2. Si vous laissez des casseroles à fin revêtement d'aluminium ou de cuivre bouillir jusqu'à évaporation complète, le revêtement peut laisser une marque de décoloration noire sur la table de cuisson. Pour éviter que cette trace ne devienne indélébile, éliminez-la immédiatement.



Vérifiez que le fond de vos plats est lisse pour éviter de rayer la table de cuisson.

Nettoyage du joint de la table de cuisson



Pour nettoyer le joint situé sur le pourtour de la vitre, appliquez un chiffon humide durant quelques minutes, puis nettoyez à l'aide d'un nettoyant non abrasif.

Risques d'endommagement définitif de la surface vitrée

- Les éclaboussures de sucre (comme celles produites par les confitures, le caramel, le sucre, les sirops) ou les plastiques fondus peuvent faire apparaître des piqûres sur la surface de votre table de cuisson. Ces dommages ne sont pas couverts par la garantie. Il est conseillé de nettoyer la projection tant qu'elle est encore chaude. Soyez particulièrement vigilant lorsque vous retirez des substances chaudes. Reportez-vous au chapitre suivant.
- Lorsque vous utilisez un grattoir, assurez-vous qu'il est neuf et que la lame de rasoir est toujours aiguisée ; n'utilisez pas de lame émoussée ou en mauvais état.

Nettoyage des éclaboussures de sucre et du plastique fondu

1. Eteignez tous les foyers. Retirez les plats chauds.
2. En vous munissant d'un gant et à l'aide d'un grattoir à lame de rasoir unique, déplacez les éclaboussures vers une partie froide de la table de cuisson. Retirez les éclaboussures à l'aide de papier absorbant.
3. Aucun résidu d'éclaboussure ne doit subsister tant que la table de cuisson est encore chaude.
4. Ne réutilisez pas les foyers tant que tous les résidus n'ont pas été complètement supprimés.



Si une piqûre ou des creux se sont déjà formés sur la surface vitrée, le verre de la table de cuisson devra être remplacé. Dans ce cas, une intervention est nécessaire.

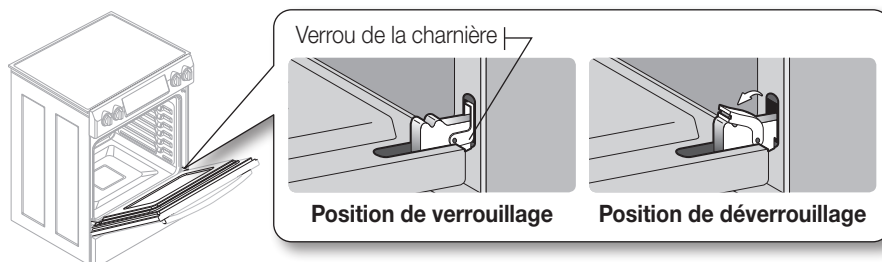
RETRAIT ET REMISE EN PLACE DE LA PORTE DU FOUR

Comment retirer la porte ?



- La porte est très lourde. Soyez prudent lorsque vous retirez et soulevez la porte. Ne soulevez pas la porte par la poignée.
- Mettez la cuisinière hors tension avant de retirer la porte.

1. Ouvrez la porte au maximum.
2. Abaissez les verrous de la charnière vers l'encadrement de porte pour les mettre en position de déverrouillage.



3. Saisissez fermement les deux côtés de la porte par le haut.
4. Fermez la porte jusqu'à la position de retrait de la porte : à environ 5 degrés de la position verticale (Fig. 1).
5. Soulevez et retirez la porte jusqu'à ce que le bras de la charnière soit enlevé de son logement (Fig. 2).

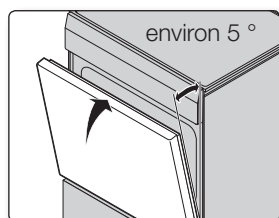


Fig. 1

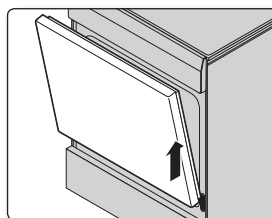
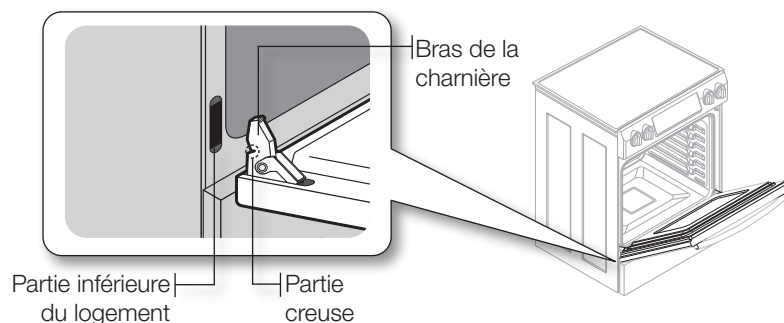


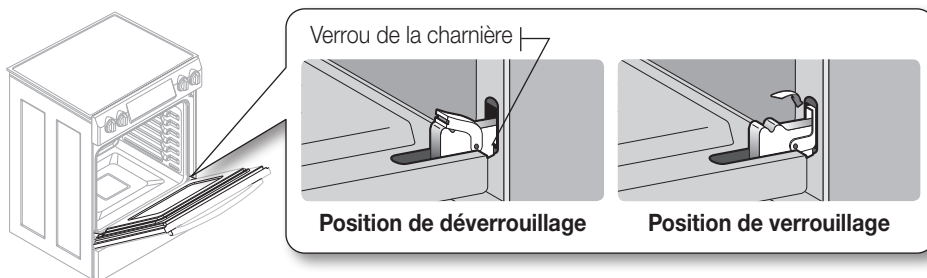
Fig. 2

Comment remettre la porte en place ?

1. Saisissez fermement les deux côtés de la porte par le haut.
2. En maintenant la porte dans le même angle que lors de son retrait, faites glisser la partie creuse du bras de la charnière dans la partie inférieure du logement de la charnière. L'encoche située sur le bras de la charnière doit être insérée entièrement dans la partie inférieure du logement.



- Ouvrez la porte au maximum. Si la porte ne s'ouvre pas complètement, c'est que la partie creuse n'est pas correctement insérée dans la partie inférieure du logement.
- Poussez les verrous de la charnière vers le haut contre le cadre de la cavité du four pour les mettre en position de verrouillage.

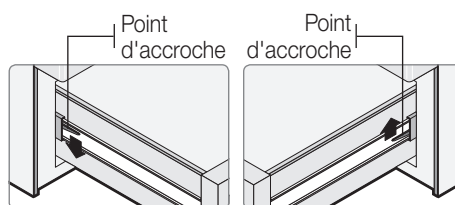


- Fermez la porte du four.

RETRAIT ET REMISE EN PLACE DU TIROIR DE RANGEMENT

Comment retirer le tiroir de rangement ?

- Tirez le tiroir vers vous jusqu'à ce qu'il arrive en butée.
- Inclinez l'avant du tiroir et tirez-le vers vous jusqu'à ce qu'il arrive en butée.
- Soulevez et tirez le tiroir vers vous.



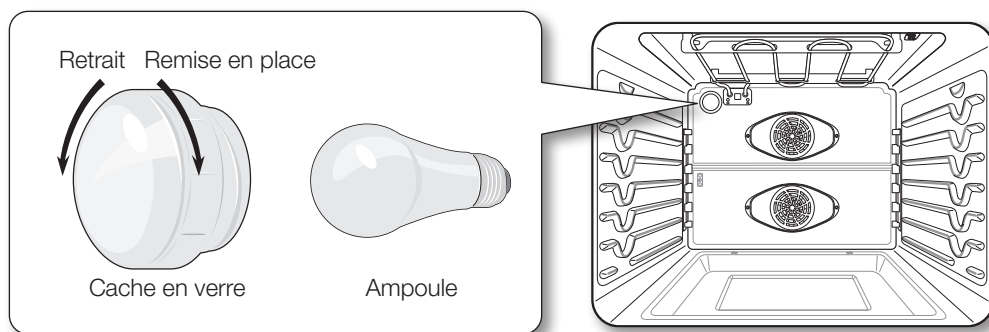
Comment remettre le tiroir de rangement en place ?

- Placez le côté gauche du tiroir sur le crochet gauche et le côté droit sur le crochet droit.
- Poussez le tiroir jusqu'à ce qu'il arrive en butée.
- Inclinez et soulevez le tiroir.
- Poussez le tiroir.

REPLACEMENT DE L'AMPOULE DU FOUR

L'éclairage du four nécessite une ampoule standard de 40 watts. L'éclairage s'active à l'ouverture de la porte. Lorsque la porte du four est fermée, appuyez sur la touche **Éclairage du four** pour activer ou désactiver l'éclairage. L'éclairage ne s'active pas durant un cycle d'auto-nettoyage.

1. Assurez-vous que le four et l'ampoule sont froids.
2. Débranchez la cuisinière ou mettez-la hors tension.
3. Tournez le cache en verre situé à l'arrière du four dans le sens inverse des aiguilles d'une montre pour le retirer.
4. Tournez l'ampoule dans le sens inverse des aiguilles d'une montre pour la retirer de sa douille.



5. Remplacez l'ampoule et son cache en verre en les tournant dans le sens des aiguilles d'une montre.
6. Branchez la cuisinière ou mettez-la sous tension.



Avant de remplacer l'ampoule de votre four, débranchez la cuisinière au niveau du panneau de fusibles ou du tableau à disjoncteurs. Assurez-vous que le four et l'ampoule sont froids.

dépannage

DÉPANNAGE

Samsung veille à ce que vous ne rencontriez pas de problèmes lors de l'utilisation de votre nouvelle cuisinière électrique. En cas de problème inattendu, recherchez en premier lieu une solution dans le tableau ci-dessous. Si, après avoir essayé la solution proposée, vous ne parvenez pas à résoudre le problème, contactez Samsung au 1-800-SAMSUNG (1-800-726-7864).

PROBLÈME	CAUSE POSSIBLE	SOLUTION
La cuisinière n'est pas à niveau.	La cuisinière n'a pas été installée correctement.	<ul style="list-style-type: none"> Placez la grille de cuisson au centre du four. Placez un niveau sur la grille de cuisson. Ajustez les pieds de mise à niveau situés sur la base de la cuisinière jusqu'à ce que la grille de cuisson soit à niveau. Assurez-vous que le sol est plan et suffisamment solide et stable pour supporter le poids de la cuisinière.
	Le sol est affaissé ou incliné.	<ul style="list-style-type: none"> Contactez un menuisier pour remédier à la situation.
	Les placards de la cuisine ne sont pas correctement alignés et donnent l'impression que la cuisinière n'est pas à niveau.	<ul style="list-style-type: none"> Assurez-vous que les éléments de cuisine sont droits et que l'espace est suffisant pour l'installation.
L'accès à la cuisinière est nécessaire pour sa réparation mais la déplacer s'avère difficile.	Les éléments de la cuisine ne sont pas droits et situés trop près de la cuisinière.	<ul style="list-style-type: none"> Contactez un maçon ou un installateur pour rendre la cuisinière accessible.
	La moquette interfère avec les mouvements de la cuisinière.	<ul style="list-style-type: none"> Ménagez un espace suffisant pour que la cuisinière puisse être soulevée de la moquette.
La commande du four émet un signal sonore et affiche un code d'erreur.	Il s'agit d'un code d'erreur de fonction.	
	CODE	CAUSE
	E-21	Capteur du four coupé
	E-22	Capteur du four court-circuité
	E-24	Surchauffe du four
	E-2E	Erreur de la sonde thermique
	E-0E	Erreur de verrouillage de la porte
	E-83	Erreur de communication
-tE-	Erreur de communication (tactile)	
Les foyers ne maintiennent pas une chaleur continue ou ne cuisent pas assez rapidement.	Le récipient n'est peut-être pas adapté à la surface de cuisson.	<ul style="list-style-type: none"> Utilisez des casseroles à fond plat et correspondant au diamètre du foyer sélectionné.
	À certains endroits, la puissance (tension) peut être faible.	<ul style="list-style-type: none"> Placez un couvercle sur la casserole jusqu'à ce que la chaleur souhaitée soit atteinte.
Les foyers ne s'allument pas.	Un fusible de votre habitation est peut-être grillé ou le disjoncteur a peut-être lâché.	<ul style="list-style-type: none"> Remplacez le fusible concerné ou remettez le disjoncteur en marche.
	Les commandes de la table de cuisson sont mal réglées.	<ul style="list-style-type: none"> Vérifiez que vous utilisez bien la commande correspondant au foyer utilisé.

PROBLÈME	CAUSE POSSIBLE	SOLUTION
Le foyer redevient noir lorsqu'un réglage plus faible est sélectionné.	Ceci est tout à fait normal. Le foyer est toujours allumé et chaud.	
Zones de décoloration sur la table de cuisson.	Des éclaboussures n'ont pas été nettoyées.	<ul style="list-style-type: none"> Reportez-vous au chapitre traitant de l'entretien et du nettoyage de la table de cuisson vitrée, page 60.
	La surface est chaude et la table de cuisson paraît de couleur claire.	<ul style="list-style-type: none"> Ceci est tout à fait normal. Il est possible que la surface paraisse décolorée lorsqu'elle est chaude. Ce phénomène est provisoire et disparaît lorsque le verre refroidit.
Le foyer s'éteint et se rallume fréquemment.	Ceci est tout à fait normal.	<ul style="list-style-type: none"> Le foyer s'éteint et se rallume afin de conserver la puissance réglée.
Le four ne s'allume pas.	La cuisinière n'est pas correctement branchée sur la prise murale.	<ul style="list-style-type: none"> Assurez-vous que la cuisinière est branchée sur une prise en état de marche et correctement mise à la terre.
	Un fusible de votre habitation est peut-être grillé ou le disjoncteur a peut-être lâché.	<ul style="list-style-type: none"> Remplacez le fusible concerné ou remettez le disjoncteur en marche.
	Les commandes du four n'ont pas été correctement réglées.	<ul style="list-style-type: none"> Reportez-vous au chapitre concernant le fonctionnement du four.
	Le four est trop chaud.	<ul style="list-style-type: none"> Laissez le four refroidir.
La cuisinière ne s'allume pas.	La cuisinière n'est pas correctement branchée sur la prise murale, un fusible de votre habitation est peut-être grillé ou le disjoncteur a peut-être lâché.	<ul style="list-style-type: none"> Assurez-vous que le cordon d'alimentation est branché sur une prise en état de marche et correctement mise à la terre. Vérifiez le fusible et le disjoncteur.
	Câblage incomplet.	<ul style="list-style-type: none"> Contactez le service technique.
	Coupure de courant.	<ul style="list-style-type: none"> Vérifiez que les lampes de votre habitation s'allument. Au besoin, demandez de l'aide auprès de votre compagnie d'électricité.
L'éclairage du four ne s'allume pas.	L'ampoule est dévissée ou défectueuse.	<ul style="list-style-type: none"> Revissez ou remplacez l'ampoule.
	Le commutateur permettant d'activer l'éclairage est cassé.	<ul style="list-style-type: none"> Contactez le service technique.
Le four émet une fumée excessive durant la cuisson.	Les réglages n'ont pas été effectués correctement.	<ul style="list-style-type: none"> Reportez-vous au chapitre concernant le réglage des commandes du four. Assurez-vous que la porte du four est ouverte en position d'arrêt du gril.
	La viande a été placée trop près de l'élément.	<ul style="list-style-type: none"> Repositionnez la grille de façon à ménager un espace suffisant entre la viande et l'élément. Préchauffez le gril pour saisir la viande.
	La viande n'a pas été correctement préparée.	<ul style="list-style-type: none"> Retirez l'excès de gras de la viande. Coupez les bords gras susceptibles de se recourber, laissant le maigre intact.
	La graisse s'est accumulée sur les surfaces du four.	<ul style="list-style-type: none"> Un nettoyage régulier est nécessaire en cas d'utilisation répétée de la fonction gril.
Les aliments ne cuisent pas ou ne sont pas rôtis correctement.	Les commandes du four n'ont pas été correctement réglées.	<ul style="list-style-type: none"> Reportez-vous au chapitre concernant le fonctionnement du four.
	La grille de cuisson n'a pas été positionnée correctement ou n'est pas à niveau.	<ul style="list-style-type: none"> Reportez-vous au chapitre concernant l'utilisation des grilles du four, page 40.
	Un récipient inadapté ou de taille inappropriée est utilisé.	
	Le capteur du four doit être réglé.	<ul style="list-style-type: none"> Reportez-vous au chapitre concernant le réglage du thermostat, page 51.

PROBLÈME	CAUSE POSSIBLE	SOLUTION
Les aliments ne grillent pas correctement.	Les commandes du four n'ont pas été correctement réglées.	<ul style="list-style-type: none"> Appuyez sur la touche GRIL.
	La grille n'a pas été positionnée correctement.	<ul style="list-style-type: none"> Reportez-vous au guide de recommandations concernant la cuisson au gril, page 46.
	Le récipient utilisé n'est pas adapté à la cuisson au gril.	<ul style="list-style-type: none"> Utilisez un récipient adapté.
	Dans certaines zones, la puissance (tension) peut être faible.	<ul style="list-style-type: none"> Préchauffez le gril pour pendant 10 minutes. Reportez-vous au guide de recommandations concernant la cuisson au gril, page 46.
La température du four est trop chaude ou trop froide.	Le capteur du four doit être réglé.	<ul style="list-style-type: none"> Reportez-vous au chapitre concernant le réglage du thermostat, page 51.
Rayures ou éraflures sur la table de cuisson.	La table de cuisson n'est pas correctement nettoyée.	<ul style="list-style-type: none"> Les rayures ne peuvent être ôtées. Les rayures légères s'estomperont dans le temps au fil des nettoyages.
	Des récipients à fond rugueux ont été en contact avec la table de cuisson ou bien des particules importantes comme du gros sel ou du sable se sont trouvées entre les récipients et la table de cuisson.	<ul style="list-style-type: none"> Afin d'éviter les rayures, respectez les procédures de nettoyage recommandées. Assurez-vous que le fond des récipients est propre avant d'utiliser ces derniers et choisissez des récipients à fond lisse.
	Vous avez fait glisser des récipients sur la table de cuisson.	
Trainées ou tâches brunes.	Des plats cuisinés ont débordé sur la table de cuisson.	<ul style="list-style-type: none"> Utilisez le grattoir à lame pour retirer les salissures. Reportez-vous au chapitre relatif à l'entretien et au nettoyage de la table de cuisson vitrée, page 60.
Zones de décoloration à reflets métalliques.	Des dépôts minéraux d'eau et d'aliments sont restés sur la table de cuisson.	<ul style="list-style-type: none"> Supprimez-les à l'aide d'une crème nettoyante spéciale pour surface de cuisson en verre et céramique. Utilisez des récipients à fond propre et sec.
Le four ne s'auto-nettoie pas.	La température du four est trop élevée pour permettre de programmer un auto-nettoyage.	<ul style="list-style-type: none"> Laissez la cuisinière refroidir et réinitialisez les commandes.
	Les commandes du four n'ont pas été correctement réglées.	<ul style="list-style-type: none"> Reportez-vous au chapitre relatif à l'auto-nettoyage, page 56.
	Un cycle d'auto-nettoyage ne peut démarrer si le dispositif de verrouillage du four a été activé ou si un foyer radiant est activé.	
Bruit de « craquement » ou de « crépitement ».	Ce bruit provient du métal lorsqu'il chauffe et qu'il refroidit pendant les fonctions de cuisson et de nettoyage.	<ul style="list-style-type: none"> Ceci est tout à fait normal.
Fumée excessive durant un cycle d'auto-nettoyage.	L'intérieur de votre four est excessivement sale.	<ul style="list-style-type: none"> Appuyez sur la touche Arrêt du four. Ouvrez les fenêtres pour évacuer la fumée de la pièce. Attendez que le cycle d'auto-nettoyage soit annulé. Essuyez la saleté excessive et programmez un nouvel auto-nettoyage.
La porte du four ne s'ouvre pas après un cycle d'auto-nettoyage.	Le four est trop chaud.	<ul style="list-style-type: none"> Laissez le four refroidir.

PROBLÈME	CAUSE POSSIBLE	SOLUTION
Le four est toujours sale après un cycle d'auto-nettoyage.	Les commandes du four n'ont pas été correctement réglées.	<ul style="list-style-type: none"> • Reportez-vous au chapitre relatif à l'auto-nettoyage, page 56.
	Le four était très sale.	<ul style="list-style-type: none"> • Essayez les éclaboussures importantes avant de démarrer le cycle d'auto-nettoyage. Les fours excessivement sales nécessitent un nouvel auto-nettoyage plus long.
Vapeur provenant de la ventilation.	En cas d'utilisation de la fonction de convection, il est normal que de la vapeur s'échappe des orifices de ventilation du four.	<ul style="list-style-type: none"> • Ceci est tout à fait normal.
	La quantité de vapeur visible augmente proportionnellement au nombre de grilles ou à la quantité d'aliments en cours de cuisson.	
Odeur de brûlé ou d'huile provenant de la ventilation.	Ce phénomène est tout à fait normal dans le cas d'un four neuf. L'odeur disparaîtra au fil des utilisations.	<ul style="list-style-type: none"> • Pour accélérer la disparition de ce phénomène, programmez un cycle d'auto-nettoyage d'une durée minimale de 3 heures. • Reportez-vous au chapitre relatif à l'auto-nettoyage, page 56.
Odeur forte.	Il est normal de constater une odeur provenant de l'isolation de la cavité du four lors des premières utilisations de votre four.	<ul style="list-style-type: none"> • Cette odeur est provisoire.
Bruit au niveau du ventilateur.	Un ventilateur de convection peut se déclencher ou s'arrêter automatiquement.	<ul style="list-style-type: none"> • Ceci est tout à fait normal.
Vous avez des difficultés à faire glisser les grilles du four.	Les grilles, brillantes et de couleur argentée, ont été nettoyées au cours d'un cycle d'auto-nettoyage.	<ul style="list-style-type: none"> • À l'aide de papier absorbant imbibé d'huile végétale, essuyez les bords des grilles du four.
L'affichage s'atténue.	Un fusible de votre habitation est peut-être grillé ou le disjoncteur a peut-être lâché.	<ul style="list-style-type: none"> • Remplacez le fusible concerné ou remettez le disjoncteur en marche.
L'affichage clignote.	Une coupure de courant s'est produite.	<ul style="list-style-type: none"> • Réglez l'heure à nouveau.
Le tiroir ne glisse pas correctement ou se bloque.	Le tiroir n'est pas correctement aligné.	<ul style="list-style-type: none"> • Ouvrez complètement le tiroir et repoussez-le au maximum. Voir page 64.
	Le tiroir est surchargé ou sa charge est mal répartie.	<ul style="list-style-type: none"> • Réduisez-en le poids. Réorganisez le contenu du tiroir.

garantie (États-Unis)

**VEUILLEZ NE PAS JETER. CECI REMPLACE LA PAGE DE GARANTIE CONTENUE DANS LE GUIDE D'UTILISATION ET D'ENTRETIEN
CUISINIÈRE ÉLECTRIQUE SAMSUNG**

GARANTIE LIMITÉE À L'ACHETEUR INITIAL

Ce produit de la marque SAMSUNG, fourni et distribué par SAMSUNG ELECTRONICS AMERICA, INC. (SAMSUNG), livré en état neuf dans son carton d'origine et acheté par le consommateur et acquéreur d'origine, s'accompagne d'une garantie de SAMSUNG contre tout vice de fabrication au niveau des pièces et de la main d'œuvre pendant une période limitée de :

Garantie un (1) an pour les pièces et la main d'œuvre, cinq (5) ans pour les pièces de la surface de cuisson vitrée et les foyers radiants

Durant cette extension de garantie de quatre ans, votre responsabilité sera engagée en cas d'éventuels frais de main d'œuvre ou de réparation à domicile.

Cette limite de garantie s'applique à compter de la date d'acquisition et couvre uniquement les produits achetés et utilisés aux États-Unis. Pour se prévaloir du service de garantie, l'acheteur doit contacter SAMSUNG afin d'établir les procédures relatives au diagnostic et à l'intervention nécessaire. Pour être couverte par la garantie, la maintenance ne peut être effectuée que par un service technique agréé SAMSUNG. Lors de la remise d'un produit défectueux à SAMSUNG ou à un centre de service SAMSUNG agréé, l'acquéreur est tenu de présenter le coupon d'achat d'origine à la demande des intéressés à titre de preuve d'achat. Samsung vous assure un service à domicile pendant la période de garantie sans frais supplémentaires en fonction des disponibilités sur le territoire des États-Unis contigus. Le service de réparation à domicile n'est pas disponible partout. Pour bénéficier du service à domicile, l'appareil doit être situé dans un emplacement dépourvu d'obstacle et accessible à notre personnel. En cas d'indisponibilité de ce service, Samsung pourra choisir le moyen de transport adéquat pour acheminer ou renvoyer l'appareil vers et depuis un centre de service agréé.

La société SAMSUNG prendra en charge, à sa convenance, la réparation ou le remplacement du produit à ses frais tel que stipulé dans les présentes conditions et procédera au remplacement ou au changement des pièces ou des produits si ces derniers s'avèrent défectueux dans la limite de la période de garantie mentionnée précédemment. Toute pièce ou tout produit remplacé devient la propriété de SAMSUNG et doit lui être restitué. Les pièces et produits de rechange sont protégés pour le reste de la période de garantie initiale ou pour quatre-vingt-dix (90) jours, selon l'éventualité la plus éloignée.

Cette garantie limitée couvre les défauts de fabrication relatifs aux matériaux ou à la main-d'œuvre survenant dans le cadre d'un usage normal et non commercial de ce produit et ne s'applique pas aux situations suivantes : tout dommage survenant au cours de l'expédition, la livraison et l'installation ; toute utilisation de l'appareil contraire au but auquel il était destiné ; tout numéro de produit ou de série effacé ; tout dommage du revêtement extérieur ou de l'aspect du produit ; tout dommage causé par accident, abus, négligence, incendie, inondation, foudre ou autre catastrophe naturelle ; toute utilisation de produits, équipements, systèmes, appareils, services, pièces, fournitures, accessoires, applications, installations, réparations, câblages externes ou connecteurs non fournis ou autorisés par SAMSUNG et susceptibles d'endommager ledit appareil ou de nuire à son fonctionnement ; toute surtension, fluctuation ou tension de ligne électrique incorrecte ; tout réglage effectué par l'acquéreur et non-respect des instructions de fonctionnement, d'entretien et de respect de l'environnement couvertes ou prescrites dans le présent carnet d'entretien ; tout démontage ou toute réinstallation de l'appareil ; tout problème résultant d'une prolifération d'insectes nuisibles, d'une surchauffe ou d'un plat trop cuit par l'utilisateur. La présente garantie limitée ne peut s'étendre aux cas d'alimentation ou de tension électrique incorrectes, d'ampoules inappropriées, d'installations électriques défectueuses, aux cas de demandes d'assistance pour information ou de résolutions d'erreurs d'installation. En outre, elle ne prend pas en charge l'endommagement de la table de cuisson vitrée qui résulterait de l'utilisation de produits et de tampons nettoyants non recommandés, l'endommagement de la table de cuisson vitrée provoqué par des éclaboussures durcies de sucre ou de plastique fondu qui n'auraient pas été nettoyées selon les instructions fournies dans le manuel d'entretien et d'utilisation. SAMSUNG ne garantit pas un fonctionnement continu ou sans erreur de ce produit.

SAUF EXCEPTION MENTIONNÉE DANS LE PRÉSENT DOCUMENT, SAMSUNG NE FOURNIT AUCUNE GARANTIE SUR CET APPAREIL, EXPRESSE OU IMPLICITE, Y COMPRIS, MAIS SANS S'Y LIMITER, LES GARANTIES IMPLICITES DE QUALITÉ COMMERCIALE, DE CONTREFAÇON, OU D'APTITUDE À UN USAGE PARTICULIER. AUCUNE GARANTIE, QU'ELLE SOIT DONNÉE PAR UNE TIERCE PERSONNE, UNE ENTREPRISE OU UNE PERSONNE MORALE, NE POURRA ÊTRE CONSIDÉRÉE COMME UN ENGAGEMENT DE LA PART DE SAMSUNG. SAMSUNG N'ENDOSSE AUCUNE RESPONSABILITÉ EN CAS DE Perte DE REVENU, DE MANQUE À GAGNER, D'INCAPACITÉ À RÉALISER DES ÉCONOMIES OU TOUT AUTRE AVANTAGE FINANCIER, OU EN CAS DE DOMMAGE RÉSULTANT DE L'UTILISATION OU D'UNE MAUVAISE UTILISATION DE CET APPAREIL OU D'UNE INCAPACITÉ À UTILISER CET APPAREIL, QUELLE QUE SOIT LA BASE LÉGALE SUR LAQUELLE REPOSE LA PLAINTÉ, ET MÊME SI SAMSUNG A ÉTÉ AVERTI DE L'ÉVENTUALITÉ DE TELS DOMMAGES. TOUT TYPE DE COMPENSATION EXIGÉE AUPRÈS DE SAMSUNG NE DEVRA EN AUCUN CAS EXCÉDER LE PRIX D'ACHAT DU PRODUIT VENDU PAR SAMSUNG ET À L'ORIGINE DES DOMMAGES ALLÉGUÉS. SANS LIMITATION AUX DISPOSITIONS SUSDITES, L'ACQUÉREUR PREND EN CHARGE TOUS LES RISQUES ET TOUTES LES RESPONSABILITÉS CONCERNANT LA Perte, LES DOMMAGES OU LES BLESSURES SUBIS PAR L'ACQUÉREUR ET LES BIENS DE CELUI-CI ET TOUTE AUTRE PERSONNE OU BIEN RÉSULTANT DE L'UTILISATION, LA MAUVAISE UTILISATION DE L'APPAREIL OU L'INCAPACITÉ À UTILISER LE PRÉSENT APPAREIL. CETTE GARANTIE LIMITÉE N'EST VALABLE POUR PERSONNE D'AUTRE QUE L'ACHETEUR INITIAL DU PRODUIT, N'EST PAS TRANSFÉRABLE ET ÉNONCÉ VOTRE RECOURS EXCLUSIF.

Certains États et certaines juridictions n'autorisent pas de limitations quant à la durée des garanties implicites ni l'exclusion ou la limitation de dommages accessoires ou indirects ; il se peut par conséquent que les limitations et exclusions énoncées ci-dessus ne s'appliquent pas à votre cas. Cette garantie vous confère des droits légaux spécifiques, vous pouvez également avoir d'autres droits qui varient d'un État à l'autre.

Pour bénéficier d'un service d'assistance couvert par votre garantie, contactez SAMSUNG à l'adresse suivante :

**Samsung Electronics America, Inc.
85 Challenger Road Ridgefield Park, NJ 07660
1-800-SAMSUNG (726-7864) et www.samsung.com/us/support**

garantie (CANADA)

**VEUILLEZ NE PAS JETER. CECI REMPLACE LA PAGE DE GARANTIE CONTENUE DANS LE GUIDE D'UTILISATION ET D'ENTRETIEN
CUISSINIÈRE ÉLECTRIQUE SAMSUNG**

GARANTIE LIMITÉE À L'ACHETEUR INITIAL

Ce produit de la marque SAMSUNG, fourni et distribué par SAMSUNG ELECTRONICS CANADA, INC. (SAMSUNG), livré en état neuf dans son carton d'origine et acheté par le consommateur et acquéreur d'origine, s'accompagne d'une garantie de SAMSUNG contre tout vice de fabrication au niveau des pièces et de la main d'œuvre pendant une période limitée de :

Garantie un (1) an pour les pièces et la main d'œuvre, cinq (5) ans pour les pièces de la surface de cuisson vitrée et les foyers radiants

Durant cette extension de garantie de quatre ans, votre responsabilité sera engagée en cas d'éventuels frais de main d'œuvre ou de réparation à domicile.

Cette limite de garantie s'applique à compter de la date d'acquisition et couvre uniquement les produits achetés et utilisés aux CANADA. Pour se prévaloir du service de garantie, l'acheteur doit contacter SAMSUNG afin d'établir les procédures relatives au diagnostic et à l'intervention nécessaire. Pour être couvert par la garantie, la maintenance ne peut être effectuée que par un service technique agréé SAMSUNG. Lors de la remise d'un produit défectueux à SAMSUNG ou à un centre de service SAMSUNG agréé, l'acquéreur est tenu de présenter le coupon d'achat d'origine à la demande des intéressés à titre de preuve d'achat. Samsung vous assure un service à domicile pendant la période de garantie sans frais supplémentaires en fonction des disponibilités sur le territoire des CANADA contigus. Le service de réparation à domicile n'est pas disponible partout. Pour bénéficier du service à domicile, l'appareil doit être situé dans un emplacement dépourvu d'obstacle et accessible à notre personnel. En cas d'indisponibilité de ce service, Samsung pourra choisir le moyen de transport adéquat pour acheminer ou renvoyer l'appareil vers et depuis un centre de service agréé.

La société SAMSUNG prendra en charge, à sa convenance, la réparation ou le remplacement du produit à ses frais tel que stipulé dans les présentes conditions et procédera au remplacement ou au changement des pièces ou des produits si ces derniers s'avèrent défectueux dans la limite de la période de garantie mentionnée précédemment. Toute pièce ou tout produit remplacé devient la propriété de SAMSUNG et doit lui être restitué. Les pièces et produits de rechange sont protégés pour le reste de la période de garantie initiale ou pour quatre-vingt-dix (90) jours, selon l'éventualité la plus éloignée.

Cette garantie limitée couvre les défauts de fabrication relatifs aux matériaux ou à la main-d'œuvre survenant dans le cadre d'un usage normal et non commercial de ce produit et ne s'applique pas aux situations suivantes : tout dommage survenant au cours de l'expédition, la livraison et l'installation ; toute utilisation de l'appareil contraire au but auquel il était destiné ; tout numéro de produit ou de série effacé ; tout dommage du revêtement extérieur ou de l'aspect du produit ; tout dommage causé par accident, abus, négligence, incendie, inondation, foudre ou autre catastrophe naturelle ; toute utilisation de produits, équipements, systèmes, appareils, services, pièces, fournitures, accessoires, applications, installations, réparations, câblages externes ou connecteurs non fournis ou autorisés par SAMSUNG et susceptibles d'endommager ledit appareil ou de nuire à son fonctionnement ; toute surtension, fluctuation ou tension de ligne électrique incorrecte ; tout réglage effectué par l'acquéreur et non-respect des instructions de fonctionnement, d'entretien et de respect de l'environnement couvertes ou prescrites dans le présent carnet d'entretien ; tout démontage ou toute réinstallation de l'appareil ; tout problème résultant d'une prolifération d'insectes nuisibles, d'une surchauffe ou d'un plat trop cuit par l'utilisateur. La présente garantie limitée ne peut s'étendre aux cas d'alimentation ou de tension électrique incorrectes, d'ampoules inappropriées, d'installations électriques défectueuses, aux cas de demandes d'assistance pour information ou de résolutions d'erreurs d'installation. En outre, elle ne prend pas en charge l'endommagement de la table de cuisson vitrée qui résulterait de l'utilisation de produits et de tampons nettoyants non recommandés, l'endommagement de la table de cuisson vitrée provoqué par des éclaboussures durcies de sucre ou de plastique fondu qui n'auraient pas été nettoyées selon les instructions fournies dans le manuel d'entretien et d'utilisation. SAMSUNG ne garantit pas un fonctionnement continu ou sans erreur de ce produit.

SAUF EXCEPTION MENTIONNÉE DANS LE PRÉSENT DOCUMENT, SAMSUNG NE FOURNIT AUCUNE GARANTIE SUR CET APPAREIL, EXPRESSE OU IMPLICITE, Y COMPRIS, MAIS S'Y LIMITER, LES GARANTIES IMPLICITES DE QUALITÉ COMMERCIALE, DE CONTREFAÇON, OU D'APTITUDE À UN USAGE PARTICULIER. AUCUNE GARANTIE, QU'ELLE SOIT DONNÉE PAR UNE TIERCE PERSONNE, UNE ENTREPRISE OU UNE PERSONNE MORALE, NE POURRA ÊTRE CONSIDÉRÉE COMME UN ENGAGEMENT DE LA PART DE SAMSUNG. SAMSUNG N'ENDOSSE AUCUNE RESPONSABILITÉ EN CAS DE PERTE DE REVENU, DE MANQUE À GAGNER, D'INCAPACITÉ À RÉALISER DES ÉCONOMIES OU TOUT AUTRE AVANTAGE FINANCIER, OU EN CAS DE DOMMAGE RÉSULTANT DE L'UTILISATION OU D'UNE MAUVAISE UTILISATION DE CET APPAREIL OU D'UNE INCAPACITÉ À UTILISER CET APPAREIL, QUELLE QUE SOIT LA BASE LÉGALE SUR LAQUELLE REPOSE LA PLAINTÉ, ET MÊME SI SAMSUNG A ÉTÉ AVERTI DE L'ÉVENTUALITÉ DE TELS DOMMAGES. TOUT TYPE DE COMPENSATION EXIGÉE AUPRÈS DE SAMSUNG NE DEVRA EN AUCUN CAS EXCÉDER LE PRIX D'ACHAT DU PRODUIT VENDU PAR SAMSUNG ET À L'ORIGINE DES DOMMAGES ALLÉGUÉS. SANS LIMITATION AUX DISPOSITIONS SUSDITES, L'ACQUÉREUR PREND EN CHARGE TOUS LES RISQUES ET TOUTES LES RESPONSABILITÉS CONCERNANT LA PERTE, LES DOMMAGES OU LES BLESSURES SUBIS PAR L'ACQUÉREUR ET LES BIENS DE CELUI-CI ET TOUTE AUTRE PERSONNE OU BIEN RÉSULTANT DE L'UTILISATION, LA MAUVAISE UTILISATION DE L'APPAREIL OU L'INCAPACITÉ À UTILISER LE PRÉSENT APPAREIL. CETTE GARANTIE LIMITÉE N'EST VALABLE POUR PERSONNE D'AUTRE QUE L'ACHETEUR INITIAL DU PRODUIT, N'EST PAS TRANSFÉRABLE ET ÉNONCE VOTRE RECOURS EXCLUSIF.

Certains États et certaines juridictions n'autorisent pas de limitations quant à la durée des garanties implicites ni l'exclusion ou la limitation de dommages accessoires ou indirects ; il se peut par conséquent que les limitations et exclusions énoncées ci-dessus ne s'appliquent pas à votre cas. Cette garantie vous confère des droits légaux spécifiques, vous pouvez également avoir d'autres droits qui varient d'un État à l'autre.

Pour bénéficier d'un service d'assistance couvert par votre garantie, contactez SAMSUNG à l'adresse suivante :

Samsung Electronics Canada Inc.
2050 Derry Road West, Mississauga, Ontario L5N 0B9 Canada
1-800-SAMSUNG (726-7864) et www.samsung.com/ca/support (English)
www.samsung.com/ca_fr/support (French)



Scannez le code QR* ou rendez-vous sur le site www.samsung.com/spsn pour voir nos vidéos et démonstrations en direct d'utilisation.

* Requiert l'installation d'un lecteur sur votre smartphone

Scan this with your smartphone

Veuillez noter que la garantie Samsung n'inclut pas les déplacements du service après-vente pour expliquer le fonctionnement de l'appareil, corriger une installation non correcte ou exécuter des travaux de nettoyage ou d'entretien réguliers.

UNE QUESTION ? UN COMMENTAIRE ?

PAYS	N° DE TÉLÉPHONE	SITE INTERNET
U.S.A Consumer Electronics	1-800-SAMSUNG (726-7864)	www.samsung.com/us/support
CANADA	1-800-SAMSUNG (726-7864)	www.samsung.com/ca/support (English) www.samsung.com/ca_fr/support (French)

