

# DV48J7770EP

Samsung Top-Load Electric Dryer



## 7.4 cu. ft. Capacity

### Features

- Multi-Steam:
  - Steam Refresh
  - Steam Sanitize
  - Steam Wrinkle Away
- Vent Sensor
- Smart Care
- Interior Drum Light
- 11 Preset Drying Cycles
- 8 Options
- 4 Temperature Settings
- 4-Way Venting
- Moisture Sensor
- Reversible Door
- LED Display: Ice Blue

### Convenience

- Child Lock
- Filter Check Indicator

ENERGY STAR®-rated:  
607 kWh/yr



Multi-Steam



Smart Care

### Available Colors:



Platinum  
(shown)



White

## Signature Features

### MULTI-STEAM

- Steams away wrinkles.
- Helps remove odors and freshen clothes so you can spend less time ironing and less money at the dry cleaners

### SMART CARE

- Troubleshoot with your smartphone.
- Perform a quick diagnosis of your washer and dryer right from your smartphone.\*

\*Available for iPhone® 4/4S/5/5S/5C and Galaxy S1®/S2®/S3®/S4®/NOTE®/NOTE® 2/NOTE® 3/NOTE® 4/NOTE® Edge.

### MOISTURE SENSOR

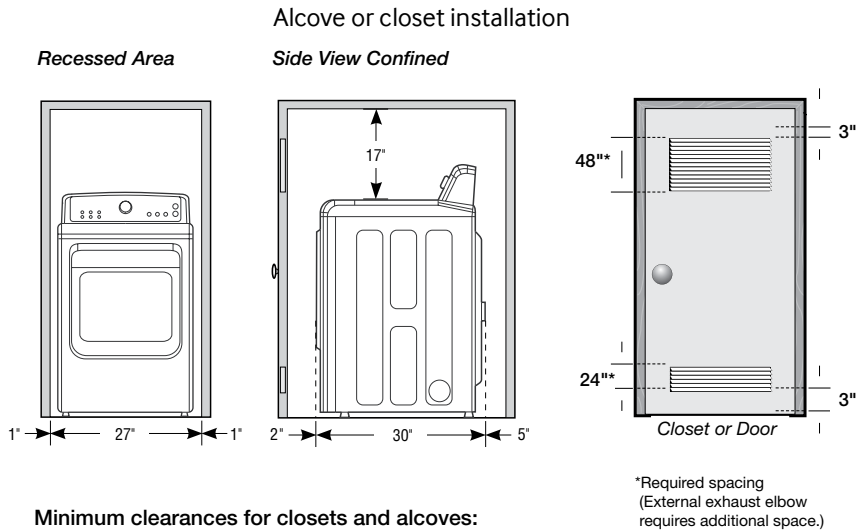
- Adjusts drying time, saves energy.
- Automatically turns off dryer when your clothes are dry.

**SAMSUNG**

# DV48J7770EP

Samsung Top-Load Electric Dryer

## Installing Your Dryer

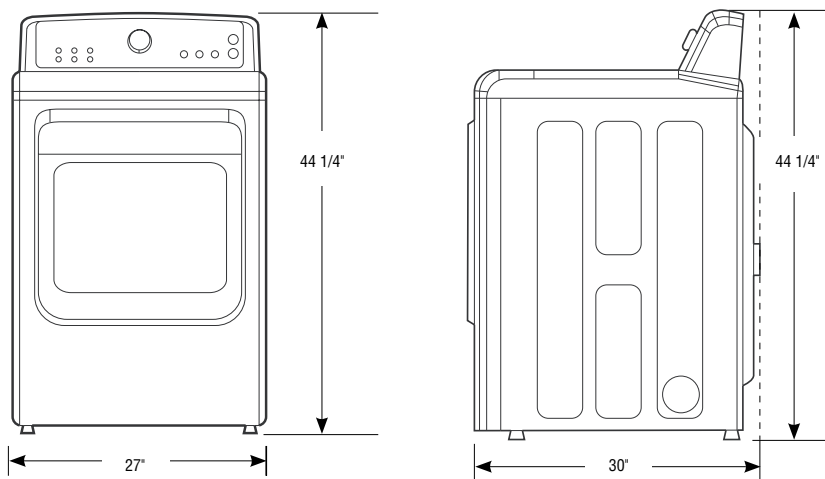


### Minimum clearances for closets and alcoves:

Sides – 1"  
Top – 17"  
Rear – 5"  
Closet Front – 2"

The closet front must have two unobstructed air openings for a combined minimum total area of 72" with 3" minimum clearance on the top and bottom. A louvered door with equivalent space clearance is acceptable.

## Dimensions



## 7.4 cu. ft. Capacity

4-Way Venting

### 11 Preset Dry Cycles:

Steam Refresh, Steam Sanitize, Steam Wrinkle Away, Normal, Heavy Duty, Towels, Permanent Press, Bedding, Delicates, Time Dry, Quick Dry

### 8 Options:

Wrinkle Prevent, Adjust Time Up, Adjust Time Down, Child Lock, Sound On/Off, Eco Dry, Smart Care, Drum Light

### 4 Temperature Settings:

High, Medium, Low, Extra Low

### 4 Dry Levels:

Very Dry, More Dry, Normal Dry, Damp Dry

### 2 Signal Level Settings:

On/Off

## Warranty

One (1) Year All Parts and Labor  
Two (2) Years Control Board

## Product Dimensions & Weight (WxHxD)

Dimensions: 27" x 44 1/4" x 30"

Weight: 125.7 lbs

## Shipping Dimensions & Weight (WxHxD)

Dimensions: 29 1/2" x 46 1/2" x 31 3/16"

Weight: 134.5 lbs

### Electric

Platinum  
White

### Model #

DV48J7770EP  
DV48J7770EW

### UPC Code

887276095752  
887276095769

### Gas

Platinum  
White

### Model #

DV48J7770GP  
DV48J7770GW

### UPC Code

887276095776  
887276095783

## Matching Washer

Platinum  
White

WA48J7770AP  
WA48J7770AW

887276095868  
887276095875

**SAMSUNG**

Actual color may vary. Design, specifications, and color availability are subject to change without notice. Non-metric weights and measurements are approximate.

©2015 Samsung Electronics America, Inc. 85 Challenger Road, Ridgefield Park, NJ 07660. Tel: 800-SAMSUNG. samsung.com. Samsung is a registered trademark of Samsung Electronics Co. Ltd.