



RFG298HDRS

29 cu ft French Door with Cool Select Pantry™ and Dual Ice Maker

Features

- Additional Filtered Ice Maker in the Freezer
- Large Capacity – 29 cu. ft.
- Premium External Filtered Water and Ice Dispenser
- LED Lighting
- Twin Cooling Plus System®
- Surround Air Flow
- Power Freeze and Power Cool Options
- Cool Select Pantry™ with Temperature Control
- Two Humidity Controlled Crispers
- Tempered Glass Spill Proof Shelves
- Gallon Door Bins
- EZ-Open Handle™ on Freezer Door
- Auto Pull Out Clear Upper Freezer Drawer

Convenience

- Cool Tight Door
- Door Alarm
- Water Filter Indicator
- Pizza Pocket

Energy Star Rated

Rated CEE Tier 2: More Efficient
531 kWh / year



Ranked **“Highest in Customer Satisfaction with Refrigerators, seven years in a row”** by J.D. Power and Associates.*



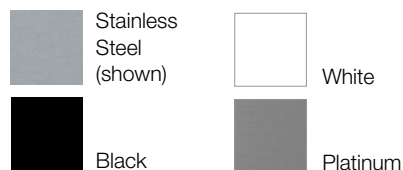
French Door design provides easy access to fresh food and flexible storage options.



Filtered Dual Ice in Freezer.

Signature Features

Available Colors



Keeps Food Fresher Longer

Our Twin Cooling Plus® System separates airflow between the refrigerator and freezer, resulting in improved freshness for fruits and veggies.

Dual Ice Maker

Two independently controlled ice makers – one in the fridge, one in the freezer – produce almost two times the ice of our single ice maker model for added convenience.

Cool Select Pantry™

Provides additional temperature control for your food storage needs with Quick Cool, Thaw and Soft Freeze, Chill Mode, and Cool Mode options.

* Samsung received the highest numerical score for refrigerators in the proprietary J.D. Power and Associates 2005-2007 Major Home Appliance Studies and 2008-2010 Kitchen Appliance StudiesSM. (2007-2008 received award for satisfaction with side-by-side/French door refrigerators). Study based on 15,853 total responses measuring 16 brands and measures opinions of consumers who purchased refrigerators from a retail store or their new-home builder during the previous 24 months. Proprietary study results are based on experiences and perceptions of consumers surveyed in March-April 2010. Your experiences may vary. Visit jdpower.com.

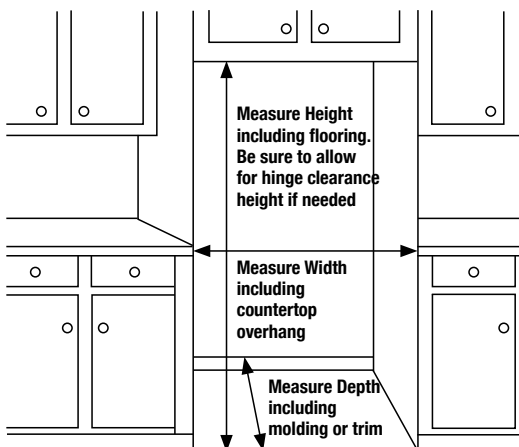
RFG298HDRS

29 cu ft French Door with Cool Select Pantry™ and Dual Ice Maker

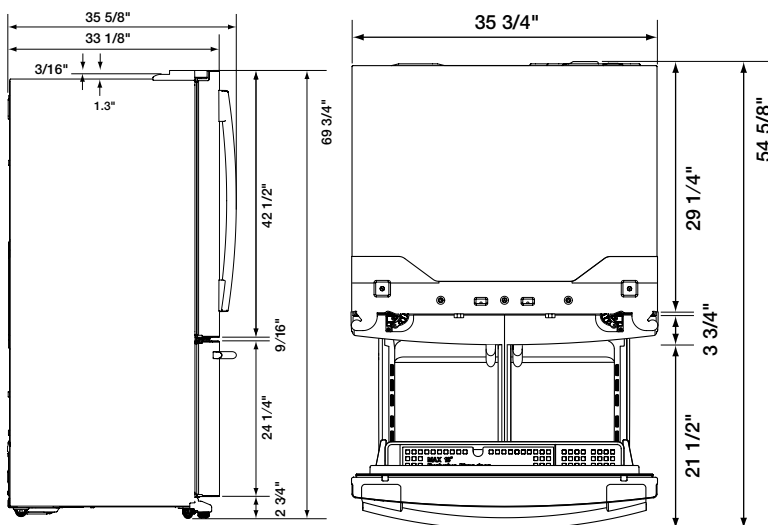
Installing your Refrigerator

1. Measure the height, width and depth of the opening, making sure to include baseboards, molding tile, countertop overhang, etc. Check to be sure there is enough room to open the door (consider walls, islands or other obstacles when measuring).
2. Refer to chart B below to determine dimensions.
3. Allow 2" of clearance on hinge side of refrigerator when installing next to a wall where handle may make contact.
4. Allow 1" minimum clearance at rear for proper air circulation and water/electrical connections. Allow a 3/8" minimum clearance at sides and top for ease of installation.
5. Ensure each door and entry way in the home is wide enough for the refrigerator to be moved through easily.

Please note: The following dimension and cutout information is for planning purposes only. For complete installation details consult manual packed with product, or download manual on-line at samsung.com.



Dimensions



Refrigerator: 19.8 cu. ft.

- Premium External Filtered Water and Ice Dispenser
 - Crushed or Cubed Ice
- Surround Air Flow
- 2 Humidity Controlled Crispers
- 5 Tempered Glass Spill Proof Shelves
- Right Door: 2 Gallon Bins
- Left Door: 2 Gallon Bins and 1 Door Bin
- 1 Dairy Bin
- Cool Select Pantry with 3 Level Temperature Controls and Pantry Divider
- LED Lighting

Freezer: 8.7 cu. ft.

- Filtered Ice Maker-Cubed
- Easy Open Handle™
- 1 Drawer Divider
- In-Door Pizza Pocket
- LED Lighting

Accessories:

Water Filter: HAF-CIN

Warranty

One (1) Year All Parts and Labor
Five (5) Years Sealed System Parts and Labor

Product Dimensions + Weight

Dimensions: (WxHxD)
(without hinges): 35 3/4" x 68 1/2" x 29 1/4"
(with hinges): 35 3/4" x 69 3/4" x 33 1/8"
(with handles): 35 3/4" x 69 3/4" x 35 5/8"
Weight: 321.9 lbs / 146 kg

Shipping Dimensions + Weight

Dimensions: (WxHxD) 38 5/8" x 75 3/4" x 36 1/4"
Weight: 357.1 lbs / 162 kg

Color	Model #	UPC Code
Stainless Steel	RFG298HDRS	036725560567
White	RFG298HDWP	036725560574
Black	RFG298HDBP	036725560543
Platinum	RFG298HDPN	036725560550