

RF4287HA



Refrigerator

user manual

English

Imagine the possibilities



Thank you for purchasing a Samsung product.
To receive a more complete service,
please register your product at
www.samsung.com/register

Free Standing Appliance

SAMSUNG

Features of your new Refrigerator

KEY FEATURES OF YOUR NEW REFRIGERATOR

Your Samsung French Door Refrigerator comes equipped with various innovative storage and energy-efficient features.

- **Twin Cooling System**

The fridge and freezer have separate evaporators. Due to this independent cooling system, the fridge and freezer cool more efficiently. Additionally, this separate air flow system prevents food odor in one compartment from seeping into the other compartments.

- **Counter Height Design**

The Independent Mid Drawer (Flex zone) is counter height to fit contemporary kitchens.

- **Flex Zone**

The Flex Zone is a full-width, independent mid drawer with adjustable temperature control.

- **Smart Divider**

Easy rail partition can divide drawers into 4 independent space easily.

- **Secure Auto Close**

The Secure Auto Close feature automatically closes a door that is slightly open.

- **Compact Ice Maker**

The ice maker can dispense cubed or crushed ice.

- **Digital Display and Temperature Control**

- **Slim Water Filtration System**

A Slim water filter is placed between crispers so you can change the filter conveniently without removing items from refrigerator.

- **Door Alarm**

A helpful beeper alerts you if a door is ajar.

- **Tilting Pocket**

The Tilting pocket can be used to store up to a 16" pizza.

- **Auto Pull Out Drawer**

The upper drawer in the freezer comes out automatically as you just open the freezer door.

- **Super Extended Drawer**

This large, slide-out drawer lets you organize your freezer easily.

- **Drawer Emotional Lighting**

The lighting helps you find groceries easier by lightening down when you open convertible and freezer door.

- **EZ-Open Handle System**

Freezer door can be opened with less effort.

- **Energy Star**

This Energy star labeled product may save you money on your energy costs.



SAMSUNG

For easy future reference, write the model and serial number down. You will find your model number and serial number on the left side of the refrigerator.

Model # _____

Serial # _____

Safety Information











SAFETY INFORMATION

Before using your new Samsung French Door Refrigerator, please read this manual thoroughly to ensure that you know how to operate the features and functions that your new appliance offers safely and efficiently.

This appliance is not intended for use by persons (including children) with reduced physical, sensory, or mental capabilities, or those who lack experience and knowledge, unless they have been given supervision or instruction concerning the use of the appliance by a person responsible for their safety.

Because the following instructions cover various models, the characteristics of your refrigerator may differ slightly from the refrigerator described in this manual. If you have any question, contact us at 1-800-SAMSUNG or find help and information online at www.samsung.com.

Important safety symbols and precautions:

 WARNING	Hazards or unsafe practices that may result in severe personal injury or death.
 CAUTION	Hazards or unsafe practices that may result in minor personal injury or property damage.
	Do NOT attempt.
	Do NOT disassemble.
	Do NOT touch.
	Follow directions carefully.
	Unplug the power plug from the wall socket.
	Make sure the refrigerator is grounded to prevent electric shock.
	Call the contact center for help.
	Note.

These warning signs are here to prevent injury to you and others.

Please follow them carefully.

After reading this section, keep it in a safe place for future reference.



SEVERE WARNING SIGNS FOR INSTALLATION



- Do not install the refrigerator in a damp place or place where it may come in contact with water.
 - Deteriorated insulation of electrical parts may cause an electric shock or fire.
- Do not place this refrigerator in direct sunlight or expose to the heat from stoves, room heaters or other appliance.
- Do not plug several appliances into the same multiple power strip. The refrigerator should always be plugged into its own individual electrical outlet which has a voltage rating that matches the voltage listed on the refrigerator's rating plate.
 - This provides the best performance and also prevents overloading house wiring circuits, which could cause a fire hazard from overheated wires.



Safety Information

- If the wall socket is loose, do not insert the power plug.
 - There is a risk of electric shock or fire.
 - Do not use a cord that shows cracks or abrasion damage along its length or at either end.
 - Do not bend the power cord excessively or place heavy articles on it.
 - Never unplug your refrigerator by pulling on the power cord. Always grip plug firmly and pull straight out from the outlet.
 - Damage to the cord may cause a short-circuit, fire and/or electric shock.
 - Do not use aerosols near the refrigerator.
 - Aerosols used near the refrigerator may cause an explosion or fire.
-



- This refrigerator must be properly installed and located in accordance with the manual before it is used.
 - Connect the power plug in proper position with the cord hanging down.
 - If you connect the power plug upside down, the wire can get cut off and cause a fire or electric shock.
 - When moving the refrigerator, be careful not to roll over or damage the power cord.
 - This constitutes a fire hazard.
 - Make sure that the power plug is not squashed or damaged by the back of the refrigerator.
 - Keep the packing materials out of reach of children.
 - There is a risk of death from suffocation if a child puts the packing materials on his or her head.
 - The appliance must be positioned so that the plug is accessible after installation.
 - You need to remove all the protective plastic film before you initially plug the product in.
-



- The refrigerator must be safely grounded
 - Always make sure that you have grounded the refrigerator before attempting to investigate or repair any part of the appliance. Power leakages can cause severe electric shock.
- Never use gas pipes, telephone lines or other potential lightning attractors as an electrical ground.
 - Improper use of the grounding plug can result in a risk of electric shock. If it is necessary to use an extension cord, use only a 3-wire extension cord that has a 3-blade grounding plug and a 3-slot receptacle that will accept the plug on the appliance. The marked rating of the extension cord should be AC115-120 V, 10 A, or more. If a grounding adapter is used, make sure the receptacle box is fully grounded.



- If the power cord is damaged, have it replaced immediately by the manufacturer or its service agent.



CAUTION

CAUTION SIGNS FOR INSTALLATION



- Allow sufficient space to install the refrigerator on a flat surface.
 - If your refrigerator is not level, the internal cooling system may not work correctly.
- Keep the ventilation space in the appliance enclosure or mounting structure clear of obstruction.
- Allow the appliance to stand for 2 hours after installation.



WARNING

SEVERE WARNING SIGNS FOR USING



- Do not insert the power plug with wet hands.
- Do not store articles on the top of the appliance.
 - When you open or close the door, the articles may fall and cause personal injury and/or material damage.
- Do not put a container filled with water on the refrigerator.
 - If spilled, there is a risk of fire or electric shock.
- Children should be supervised to ensure that they do not play with the appliance.

- Do not let children hang on the door. A serious injury may occur.
- Do not let children enter inside of the refrigerator. There is a risk of children entrapment.
- Do not insert your hands into the bottom area under the appliance.
 - Any sharp edges may cause personal injury.
- Do not let children step on a drawer's cover.
 - The drawer may break and cause them to slip.
- Do not overfill the refrigerator with food.
 - When you open the door, an item may fall out and cause personal injury or material damage.
- Do not touch the inside walls of the freezer or products stored in the freezer with wet hands.
 - This may cause frostbite.
- Never put fingers or other objects into the water dispenser hole, ice chute, or ice maker bucket.
 - It may cause personal injury or material damage.
- Do not spray flammable gas near the refrigerator.
 - There is a risk of explosion or fire.
- Do not store volatile or flammable substances in the refrigerator.
 - The storage of benzene, thinner, alcohol, ether, LP gas and other such products may cause explosions.
- Do not store pharmaceuticals products, scientific materials, or temperature sensitive products in the refrigerator.
 - Products that require strict temperature controls must not be stored in the refrigerator.
- Do not place or use an electrical appliance inside the refrigerator, unless it is of a type recommended by the manufacturer.
- Do not use mechanical devices or any other means to accelerate the defrosting process, other than those recommended by the manufacturer.
- Do not damage the refrigerant circuit.



- Do not disassemble or repair the refrigerator by yourself.
 - You run risk of causing a fire, malfunction and/or personal injury.
 - When the interior or exterior LED lamp has gone out, please contact your service agents.



- Children should be supervised to ensure that they do not play with the appliance.
- Bottles should be stored tightly together so that they do not fall out.
- This product is intended only for the storage of food in a domestic environment.
- If a gas leak is detected, avoid any naked flames or potential sources of ignition and air the room in which the appliance is standing for several minutes.
- Use only the LED Lamps provided by manufacturer or service agents.



- If there are burning smells or smoke, pull out power plug immediately and contact your Samsung Electronics service center.
- If you experience difficulty when changing the light, contact a service agent.
- If the product is equipped with LED Lamps, do not disassemble the Lamp Cover and LED Lamp by yourself.
 - Please contact your service agents.
- If any dust or water is in refrigerator, pull out the power plug and contact your Samsung Electronics service center.
 - Otherwise there is a risk of fire.



CAUTION SIGNS FOR USING



- Do not re-freeze frozen foods that have thawed completely.
Do not place carbonated or fizzy drinks in the freezer compartment. Do not put bottles or glass containers in the freezer.

- When the contents freeze, the glass may break and cause personal injury.
- ★ Service warranty and Modification.
 - Any changes or modifications performed by a 3rd party on this finished appliance are not covered under Samsung warranty service, nor can Samsung be responsible for safety issues that result from 3rd party modifications.
- Do not block air holes.
 - If the air holes are blocked, especially with a plastic bag, the refrigerator can be over cooled. If this cooling period lasts too long, the water filter may break and cause water leakage.
- If the refrigerator is disconnected from the power supply, you should wait for at least five minutes before plugging it back.
- If you have a long vacation planned or the refrigerator is not to be used for a long period of time, you must empty the refrigerator and pull out the power plug.
 - Letting the refrigerator run for a long time without using it can cause the insulation to deteriorate and may cause a fire.
 - Wipe excess moisture from the inside and leave the doors open. Otherwise, odor and mold may develop.
- To get the best performance from the product:
 - Do not place foods too close to the vents at the rear of the appliance as it can obstruct free air circulation in the refrigerator compartment.
 - Wrap food up properly or place it in airtight containers before putting it into the refrigerator.
- Fill the water tank, ice tray, and water cubes only with potable water.



- If the product is flooded, make sure to contact your nearest service center.
 - There is a risk of electric shock or fire.



CAUTION SIGNS FOR CLEANING



- Do not directly spray water on the inside or outside the refrigerator.
 - There is a risk of fire or electric shock.



- Remove any foreign matter or dust from the power plug pins. Do not use a wet or damp cloth when cleaning the plug.
 - Otherwise, there is a risk of fire or electric shock.



- Unplug the refrigerator before cleaning or making repairs.



WARNING SEVERE WARNING SIGNS FOR DISPOSAL



- Risk of child entrapment. Before you throw away your old refrigerator or freezer:
 - Take off the doors.
 - Leave the shelves in place so that children can not easily climb inside.
- Please dispose of the packaging material from this product in an environmentally friendly manner.
- Leave the shelves in place so that children can not easily climb inside. Ensure that none of the pipes on the back of the appliance are damaged prior to disposal.
- When disposing of this refrigerator, remove the door/door seals and door latch so that small children or animals cannot become trapped inside. Children should be supervised to ensure that they do not play with the appliance.
- Cyclopentane is used as in the insulation. The gases in the insulation material require a special disposal procedure. Please contact your local authorities in regard to the environmentally safe disposal of this product. Ensure that none of the pipes on the back of the refrigerator are damaged prior to disposal.

Contents

SETTING UP YOUR FRENCH DOOR REFRIGERATOR

08

- 08 Getting ready to install the refrigerator
- 09 Accessories and required tools
- 09 Removing the refrigerator doors
- 11 Disassemble the Flex door
- 12 Disassemble the freezer drawer
- 13 Reattaching the refrigerator doors
- 15 Assemble the Flex door
- 16 Assemble the freezer drawer
- 17 Adjusting the Level
- 18 Making minor adjustments between doors
- 19 Adjusting the freezer drawer level
- 20 Checking the water dispenser line
- 21 Installing the water line
- 22 Completing the set up

OPERATING YOUR FRENCH DOOR REFRIGERATOR

23

- 23 Using the control panel
- 25 Changing the water filter
- 27 controlling the temperature
- 28 Using the two lever dispenser
- 30 Parts and features
- 31 Storing food in the refrigerator
- 31 Storing food in the freezer drawer
- 32 Using Flex Zone
- 33 Removing the refrigerator accessories
- 35 Removing the freezer accessories
- 36 Food storage tips
- 38 Cleaning the refrigerator

TROUBLESHOOTING

39

- 39 Troubleshooting

WARRANTY INFORMATION

40

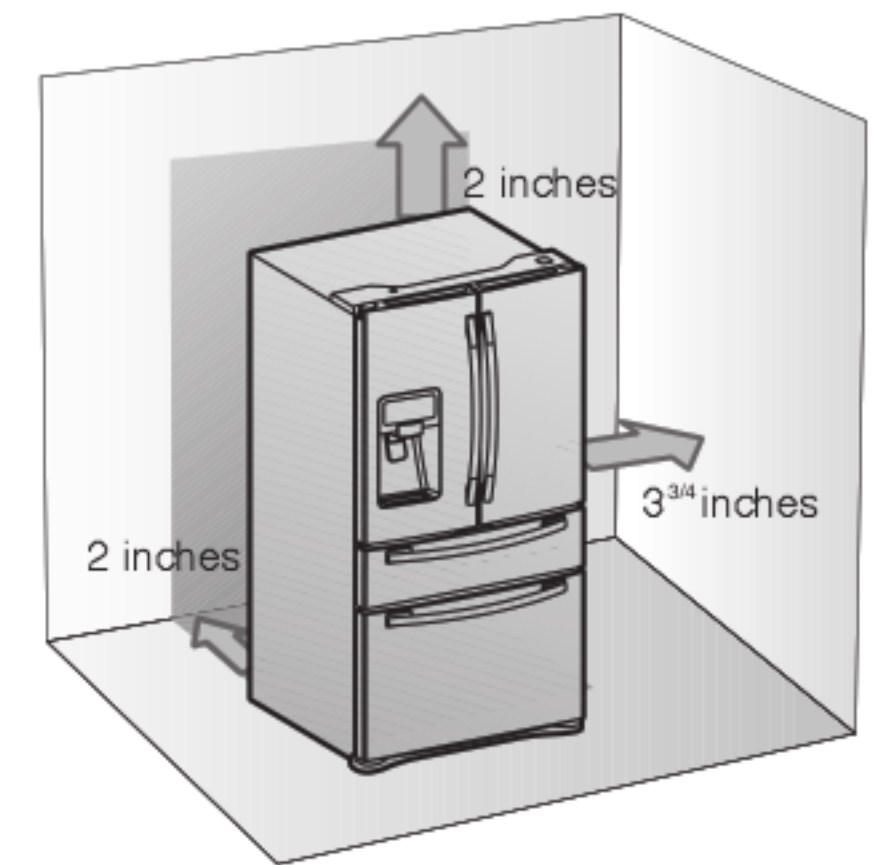
Setting up your French Door Refrigerator

GETTING READY TO INSTALL THE REFRIGERATOR

Congratulations on your purchase of the Samsung French Door Refrigerator. We hope you enjoy the state-of-art features and efficiencies that this new appliance offers.

Selecting the best location for the refrigerator

- A location with easy access to the water supply.
- A location without direct exposure to sunlight.
- A location with a leveled floor.
- A location with enough space for the refrigerator doors to open easily.
- Allow sufficient space to the right, left, back and top for air circulation.
- Please ensure that appliance can be moved freely in the event of maintenance & service.



If the refrigerator does not have enough space, the internal cooling system may not work properly.

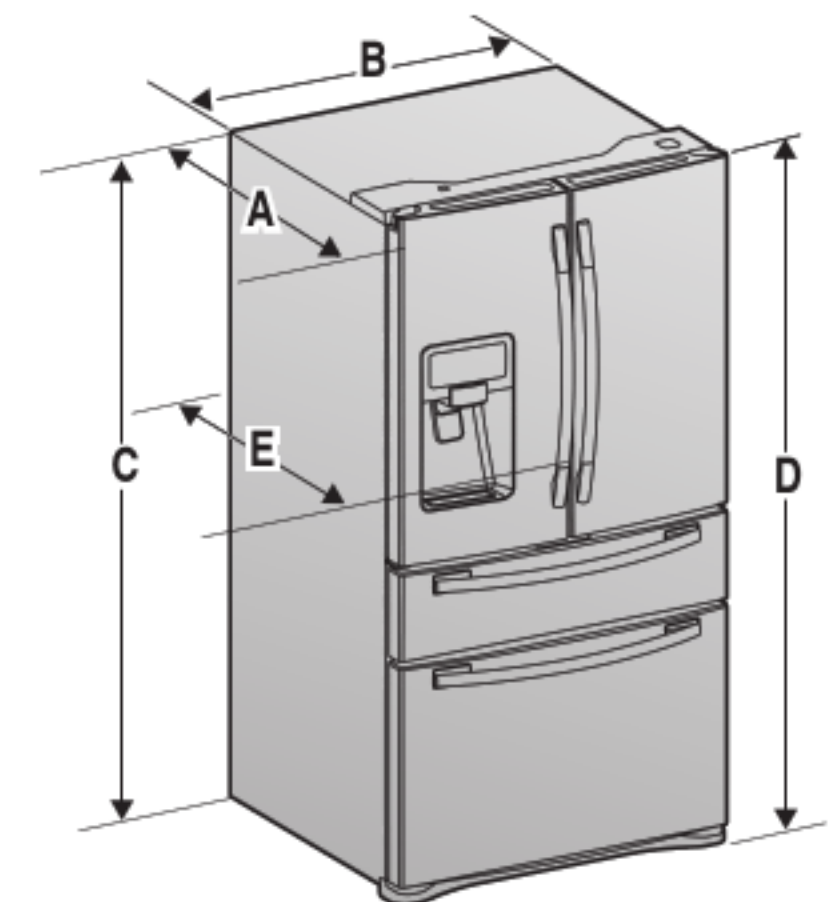
If your refrigerator has an ice maker, allow extra space at the back for the water line connections.

When you install the refrigerator next to a fixed wall, you need a minimum clearance of 3 3/4" (95mm) between the refrigerator and wall to allow the door to swing open.

First thing! Make sure that you can easily move your refrigerator to its final location by measuring doorways (both width and height), thresholds, ceilings, stairways, etc.

The following chart details the exact height and depth of this Samsung French Door Refrigerator.

Model	Depth "A"	Width "B"	Height "C"	Overall Height "D"	Depth "E"
RF4287HA	29 1/2" (749 mm)	35 7/8" (912 mm)	68 5/8" (1742 mm)	69 5/8" (1768 mm)	36 1/4" (922 mm)



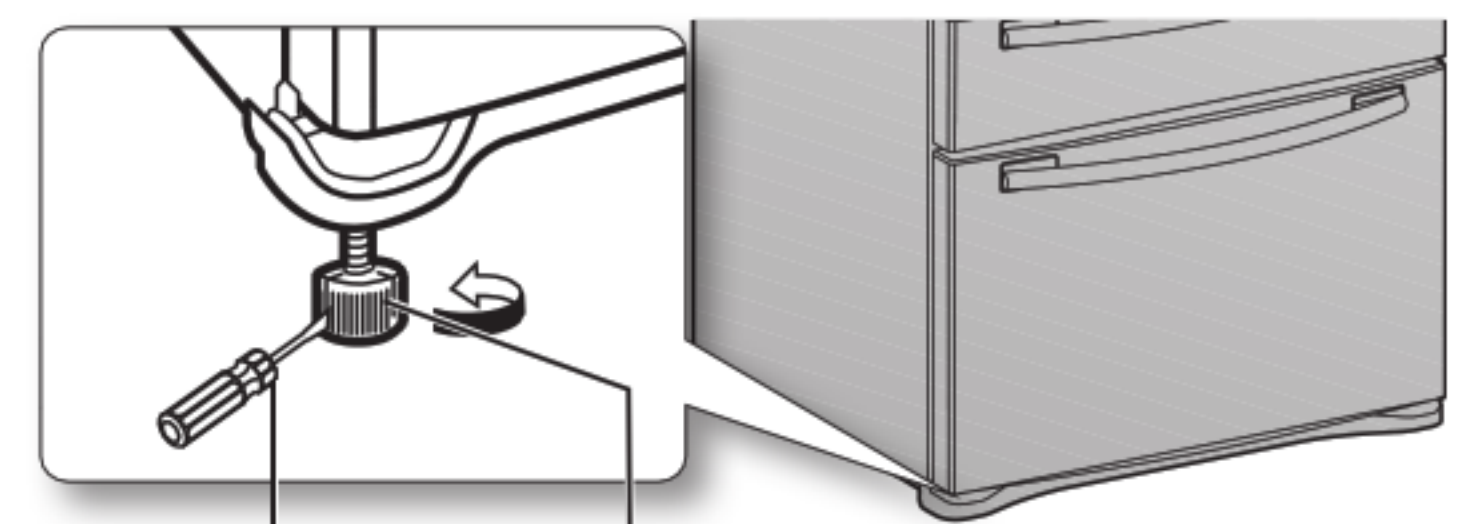
- Allow clearance to the right, left, back and top when installing. This will help reduce power consumption and keep your energy bills lower.
- Do not install the refrigerator where the temperature will go below 10°C (50°F).
- Do not locate the refrigerator where it may become wet.

When moving your refrigerator



To prevent floor damage, be sure the front adjusting legs are in the up position (above the floor).

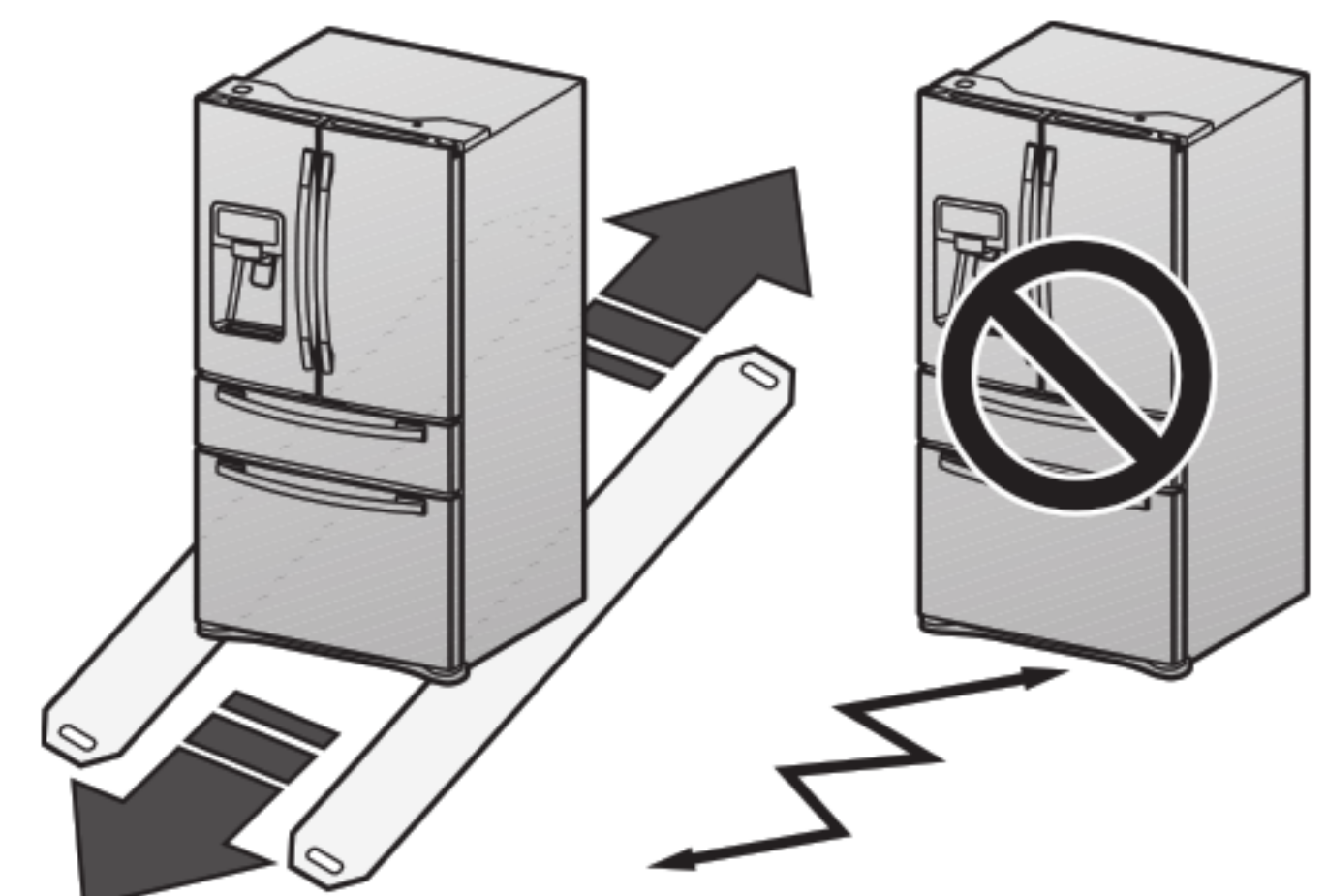
Refer to 'Adjusting the doors' in the manual (on page 19).



Flat-blade screw driver(-) Control Lever

FLOORING

For proper installation, this refrigerator must be placed on a leveled surface of hard material that is the same height as the rest of the flooring. This surface should be strong enough to support a fully loaded refrigerator, or approximately 359lbs (165kg). To protect the finish of the flooring, cut a large section of the cardboard carton and place it under the refrigerator where you are working. When moving a refrigerator, you need to pull and push it straight forwards or back. Do not wiggle it from side to side.



ACCESSORIES AND REQUIRED TOOLS

The following accessories are included with your refrigerator:



Hex wrench



Fastener



Compression fitting



Compression nut

Required Tools (Not provided)

You need the following tools to complete the installation of your refrigerator:



Philips screwdriver
(+)



Flat-blade screw-
driver (-)



Socket wrench
(10mm)



Pliers



Allen wrench (3/16")
(5mm)

REMOVING THE REFRIGERATOR DOORS

Some installations require door removal to transport the refrigerator to its final location. Do not remove the door/drawer if you don't need to. If you do not need to remove the refrigerator doors, go to Adjusting the Level on page 17. If you need to remove the doors, continue below.

Before removing the door/drawer, make sure you read the following items:




Disconnect power to the refrigerator before removing the door or drawer.



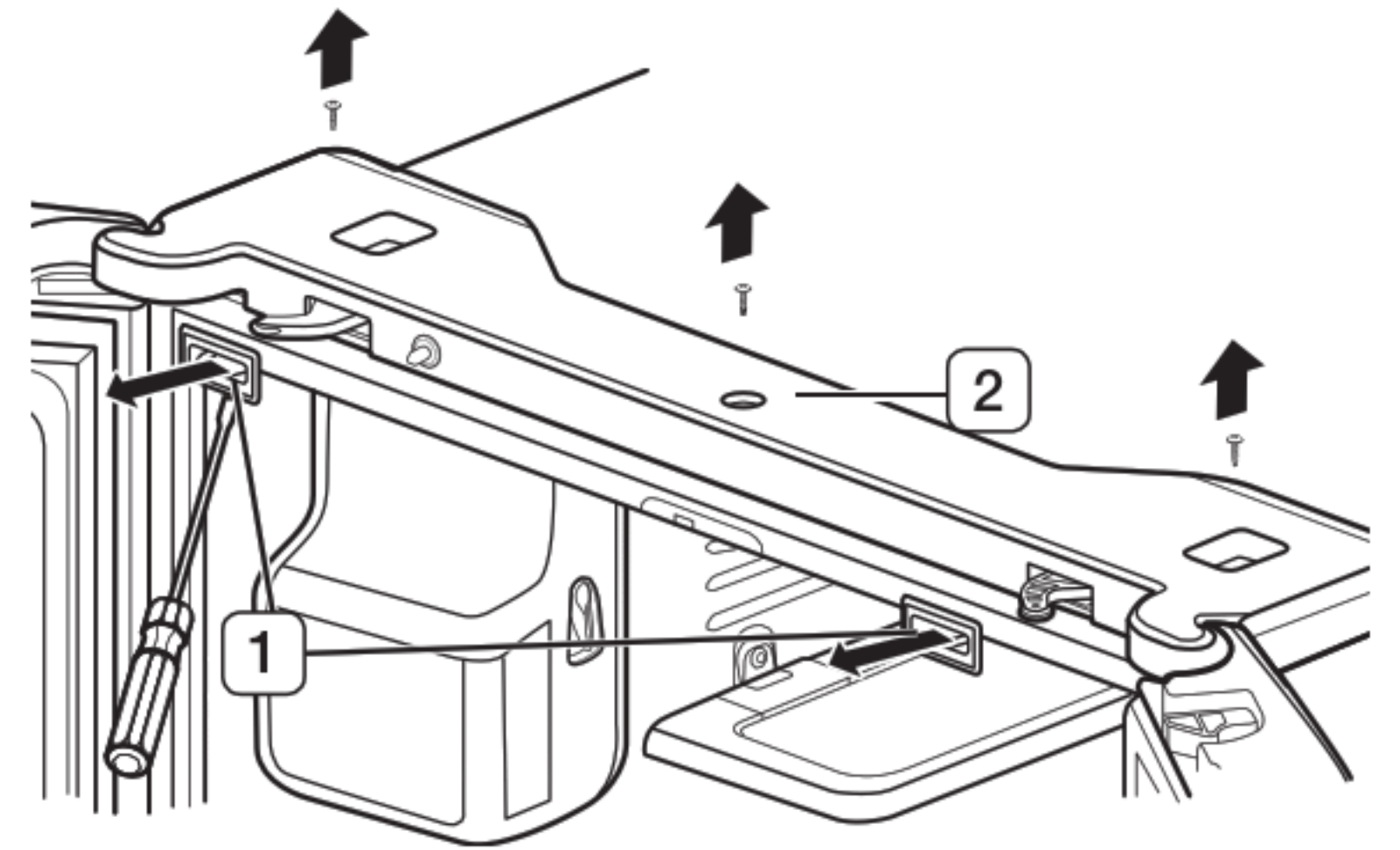
- Be careful not to drop, damage or scratch the door/drawer while removing them.
- Be careful not to get injured while removing the door/drawer.
- Reattach the door/drawer properly to avoid:
 - Moisture from air leakage.
 - Uneven door alignment.
 - Wasting energy due to improper door seal.

Disassemble the refrigerator doors

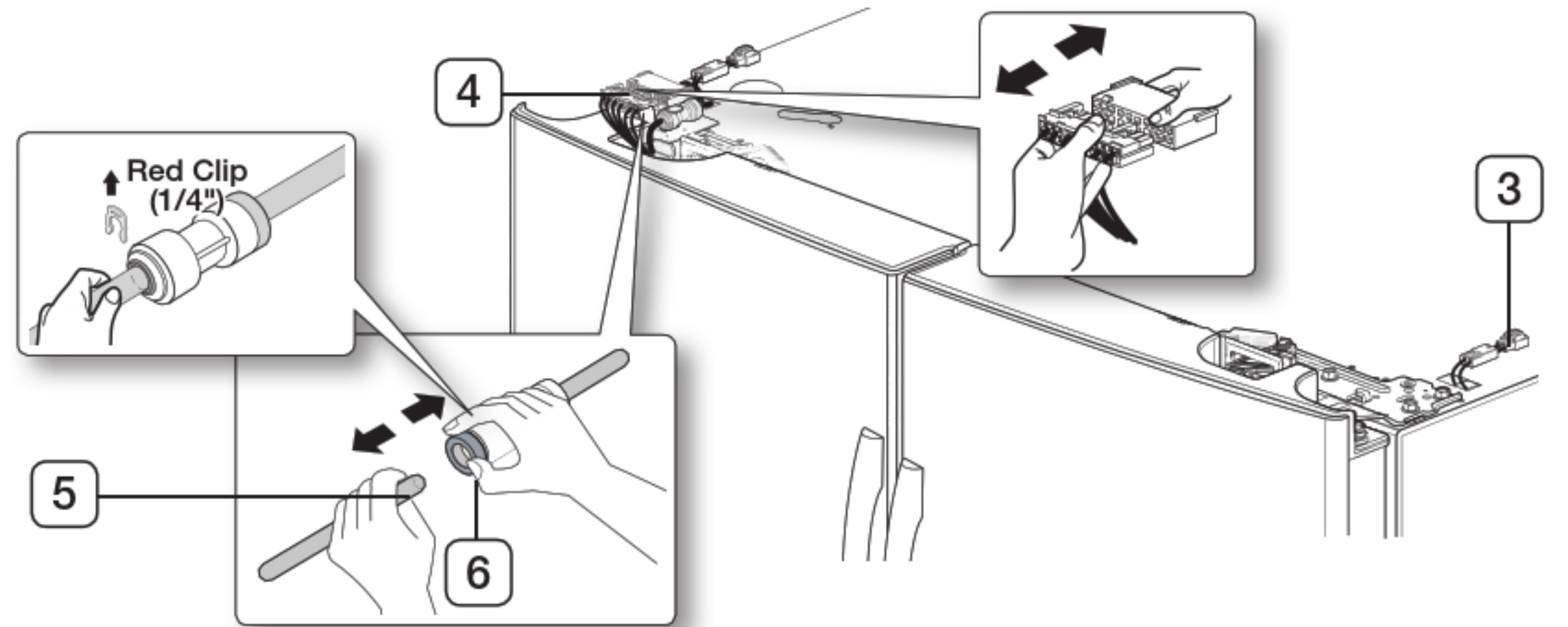
 **WARNING** Be careful not to drop and scratch the doors while removing the doors.


Disassemble the refrigerator doors

1. With the door opened, remove the cap top table (**1**) with a flat-blade screwdriver(-), and close the door. Remove the 3 screws holding down the top table (**2**) and turn it with several wires connected.

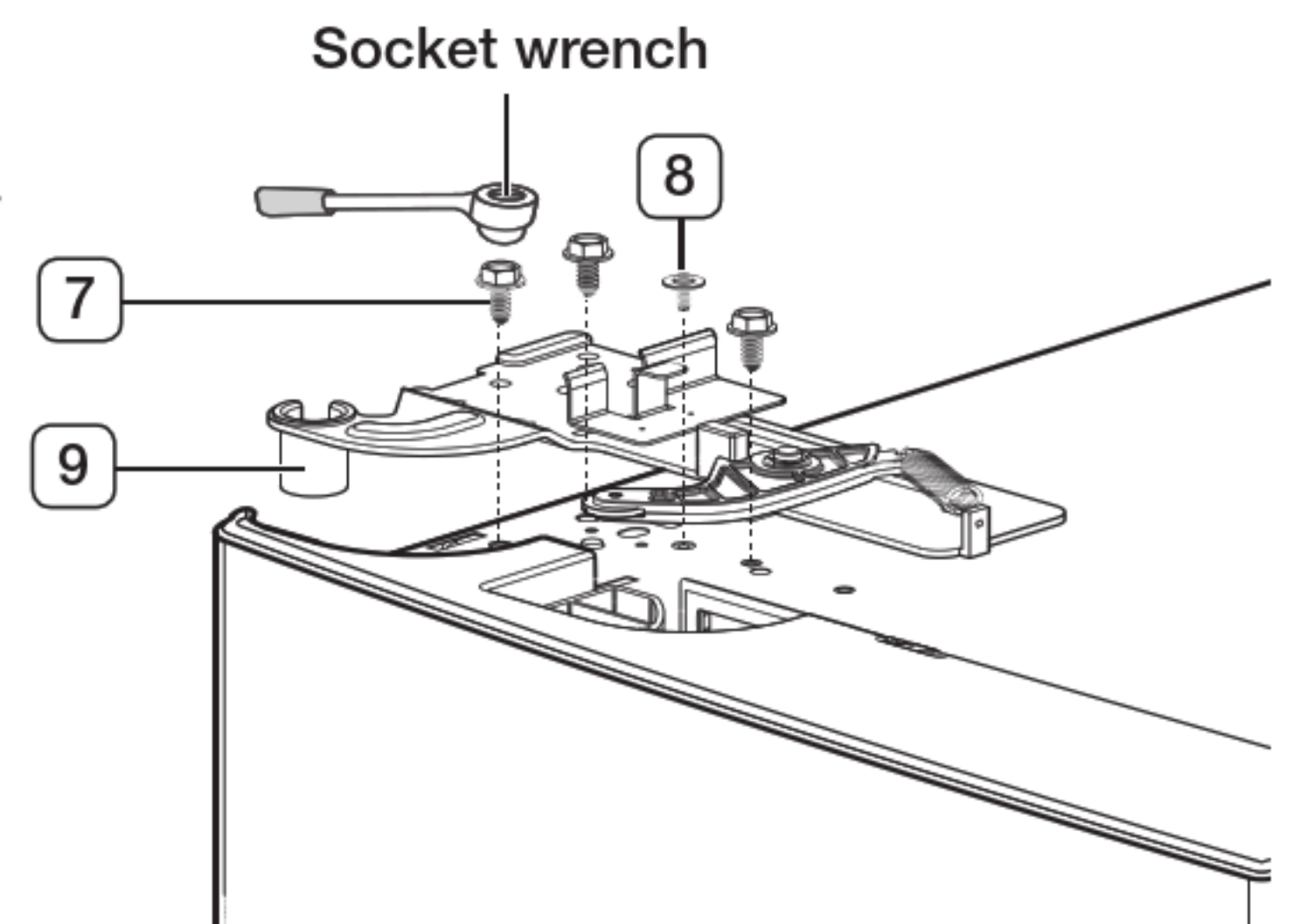


2. Disconnect one connector (**3**) on the right side door and one connector (**4**) on the left side door. Remove the water line (**5**) while pressing the dark gray color part (**6**) of the water line coupler.

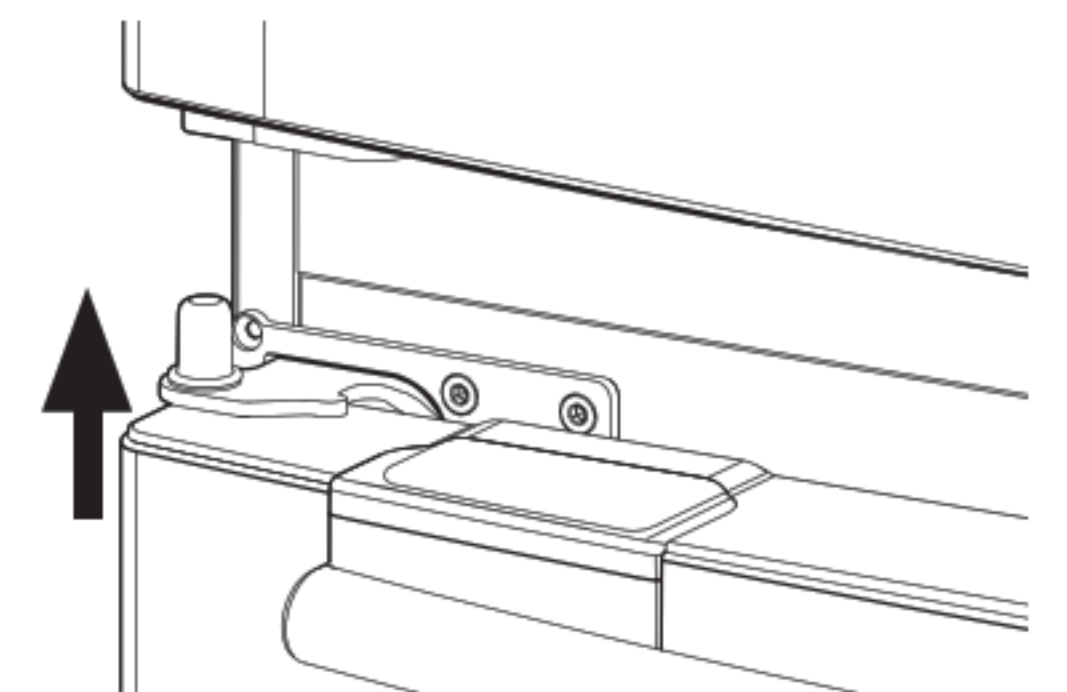


 **CAUTION** If a red clip is on the coupler, it must be removed before removing the tube.

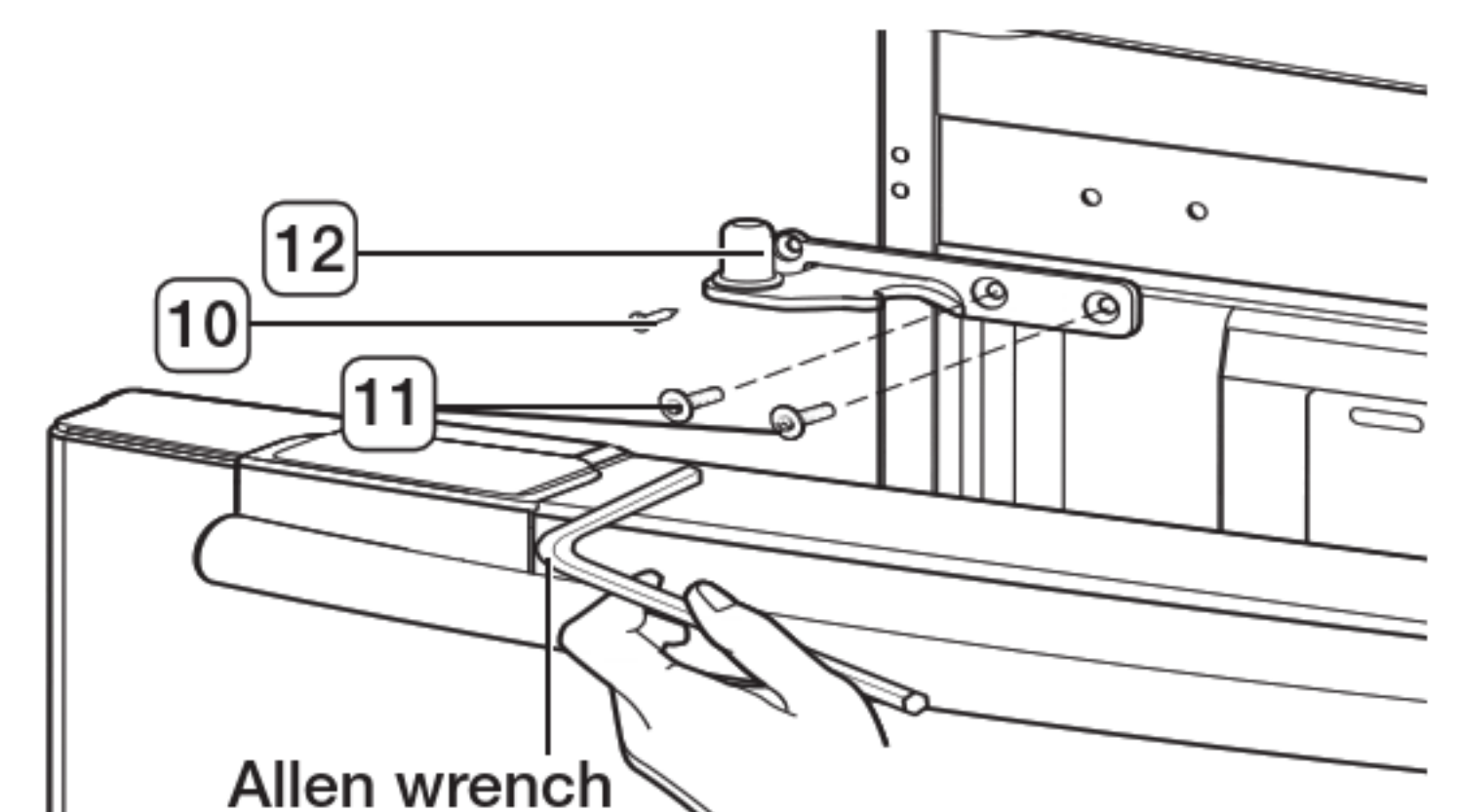
3. Remove the 3 hex head bolts (**7**) attached to the upper left and right door hinges with a socket wrench (10mm). Remove the ground screw (**8**) attached to the upper left and right door hinges with a philips screwdriver(+). Remove the upper left and right door hinges (**9**).



4. Lift the door straight up to remove.



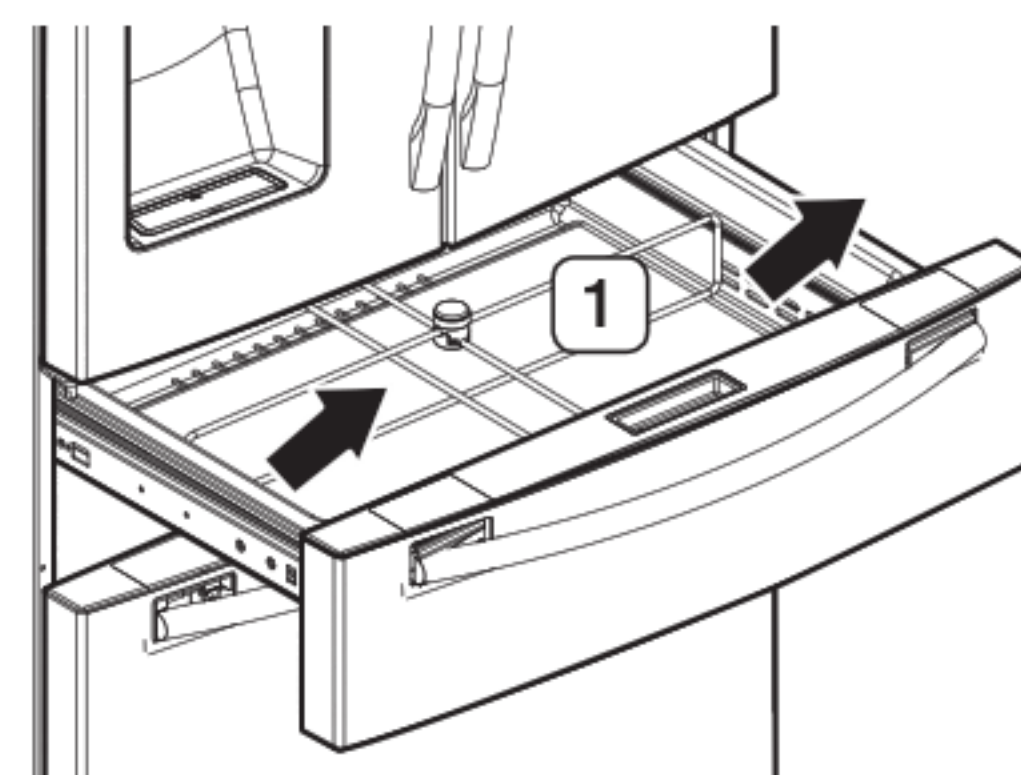
5. Remove the screw (**10**) attached to the lower left and right door hinges with a philips screwdriver(+). Remove the 2 hex head bolts (**11**) attached to the lower left and right door hinges with an allen wrench (3/16"). Remove the lower left and right door hinges (**12**).



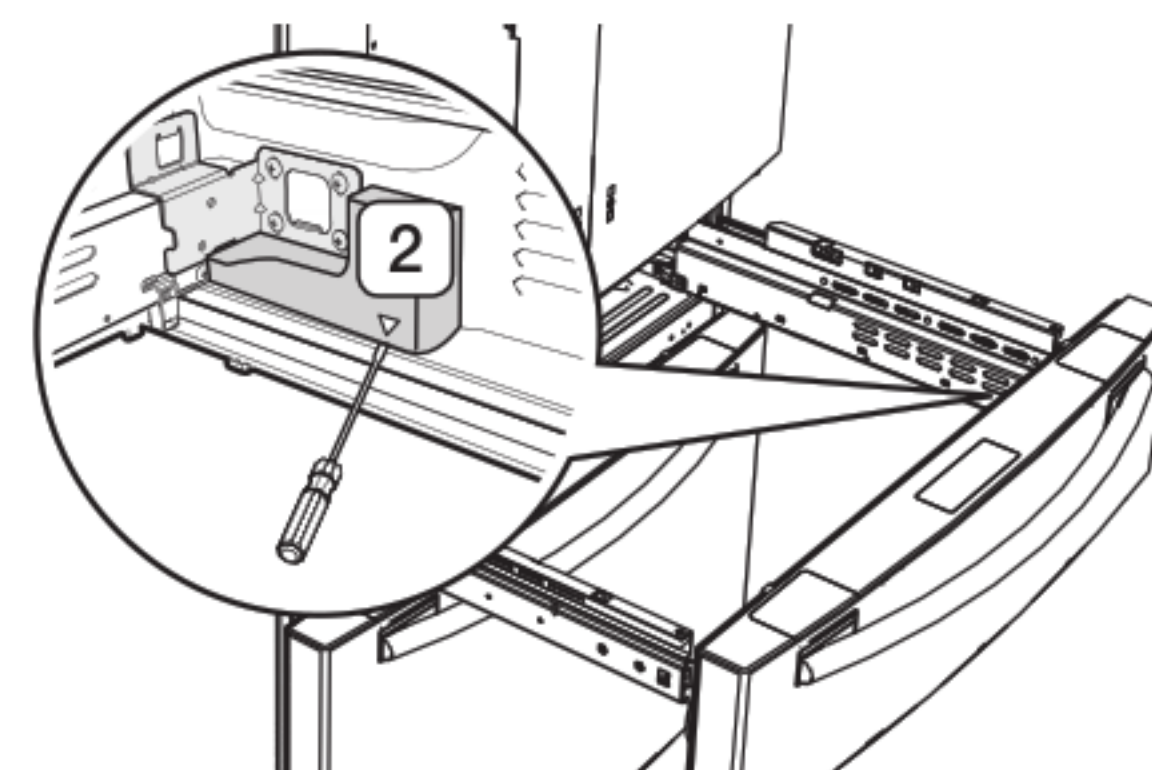
Setting up your French Door Refrigerator

DISASSEMBLE THE FLEX DOOR

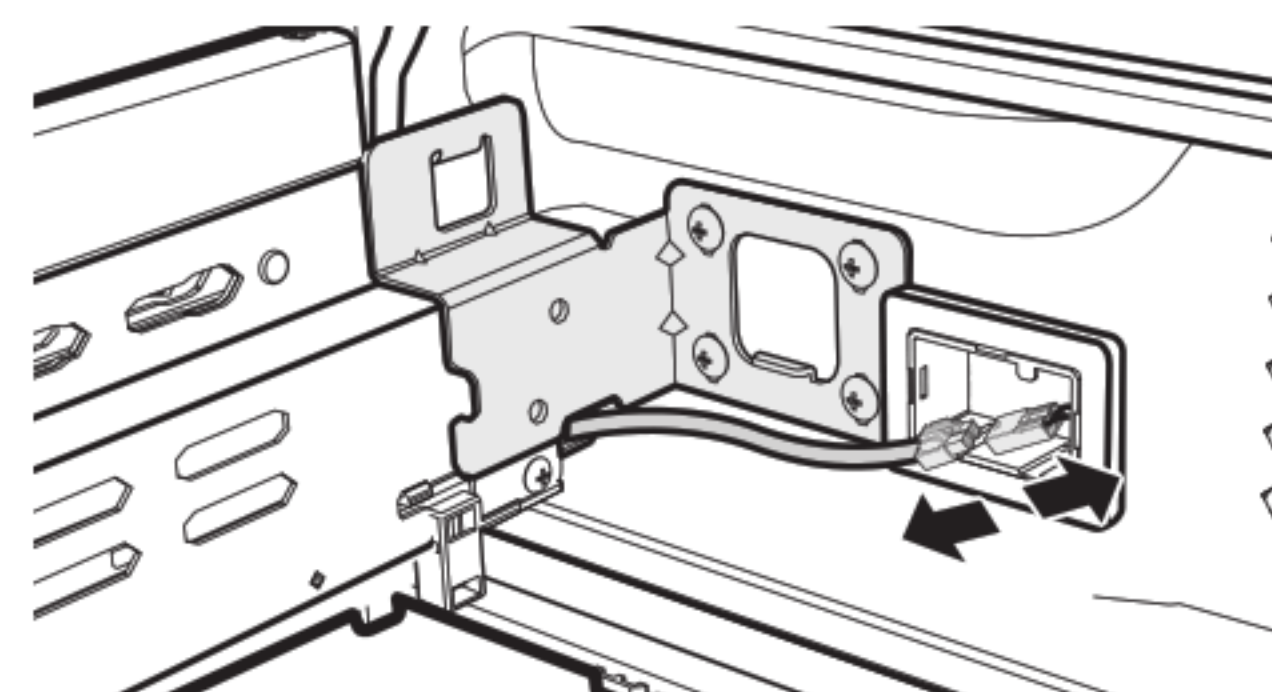
1. Take out the Flex Zone (**1**) by lifting it up.



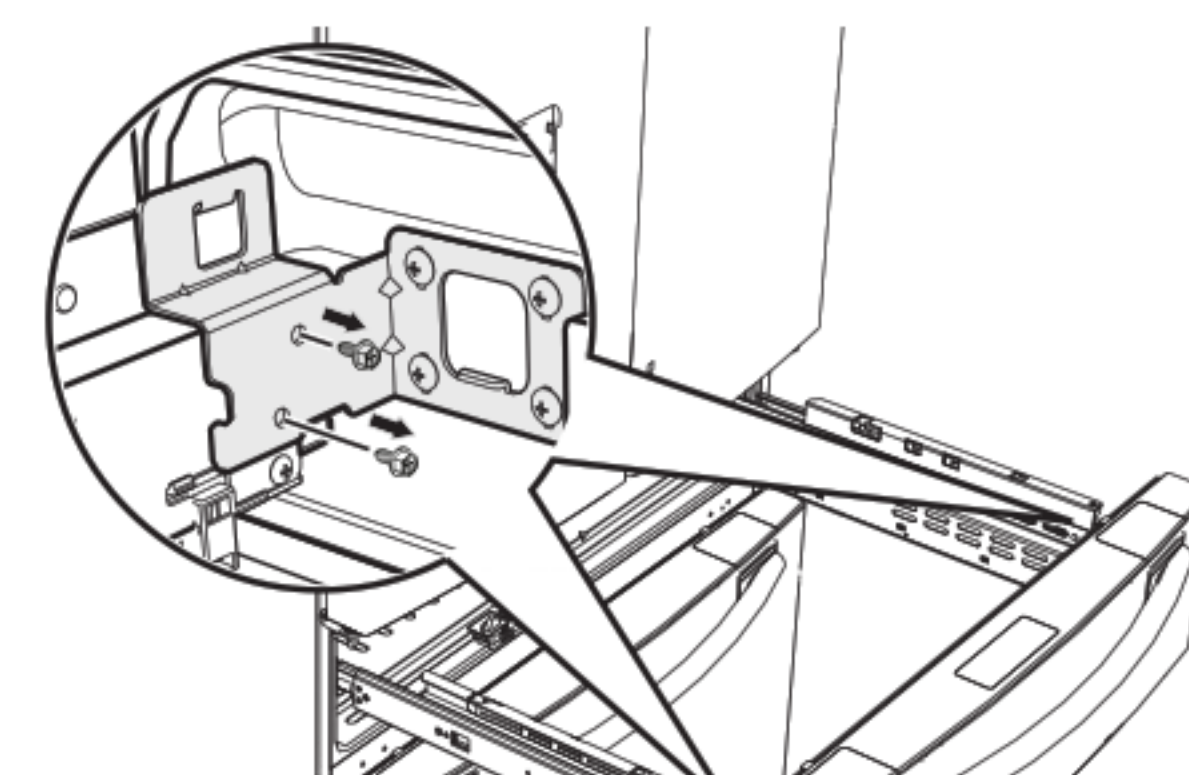
2. Take off the cover (**2**) w/harness with a flat-blade screwdriver (-).



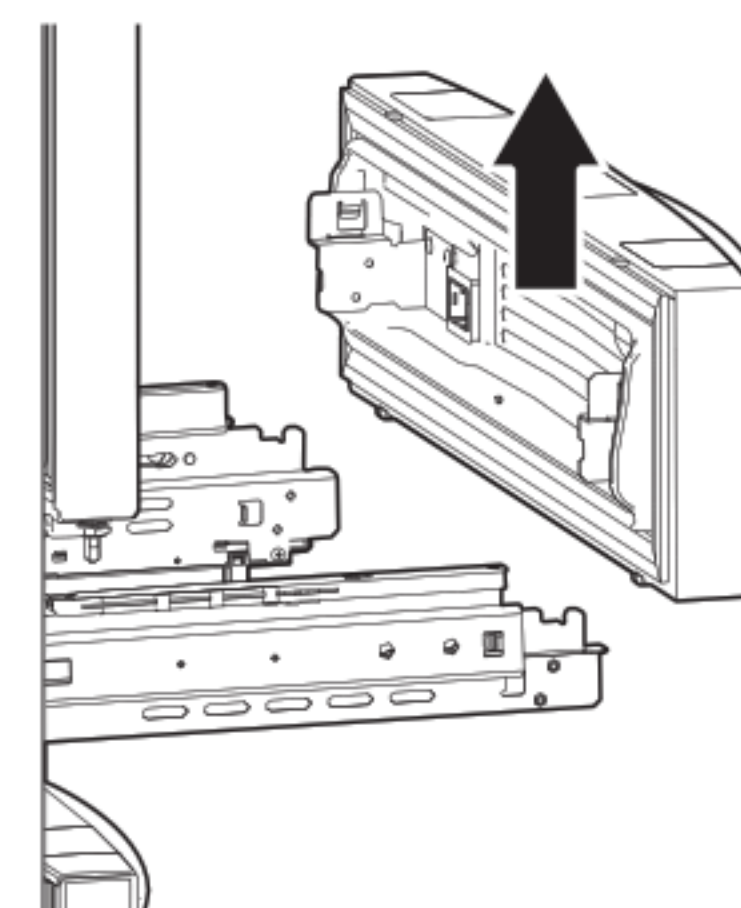
3. Disconnect the housing connector.



4. Remove 2 hex head bolts from sides with a socket wrench (10mm)

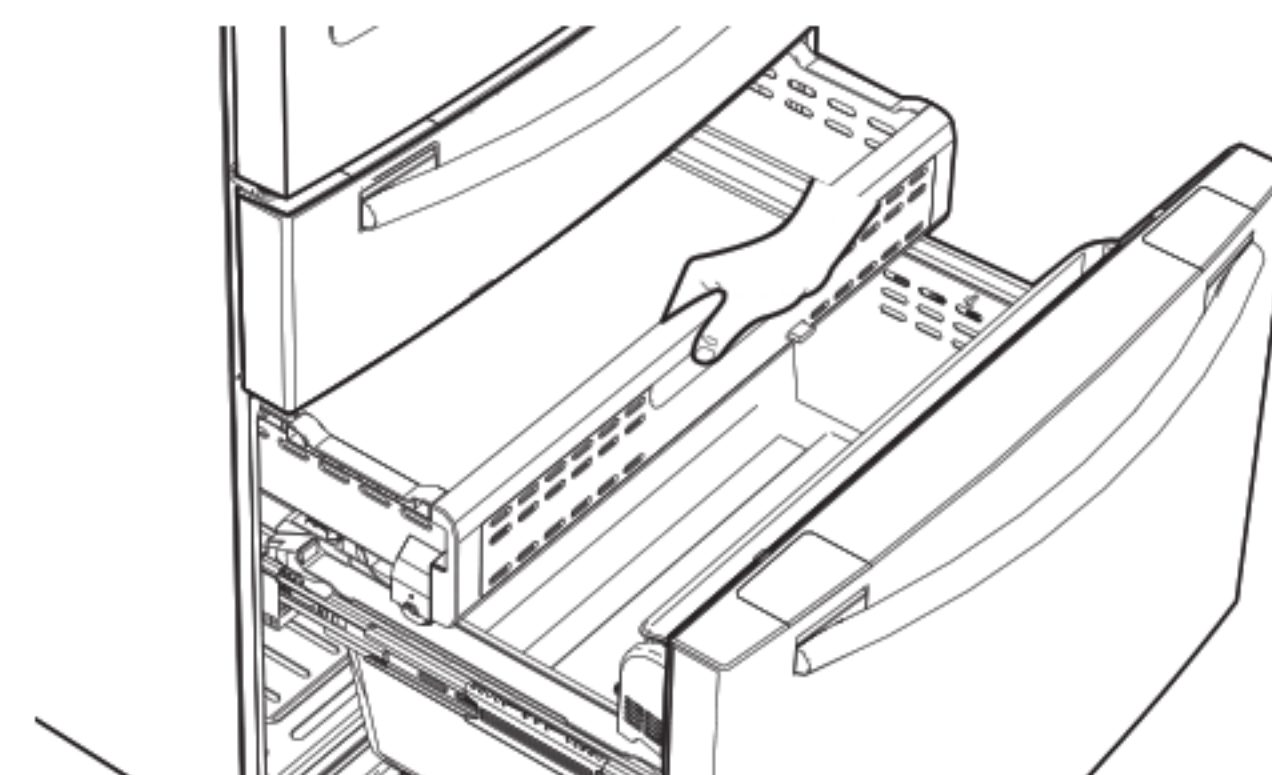


5. Lift up the Flex door from the rails.

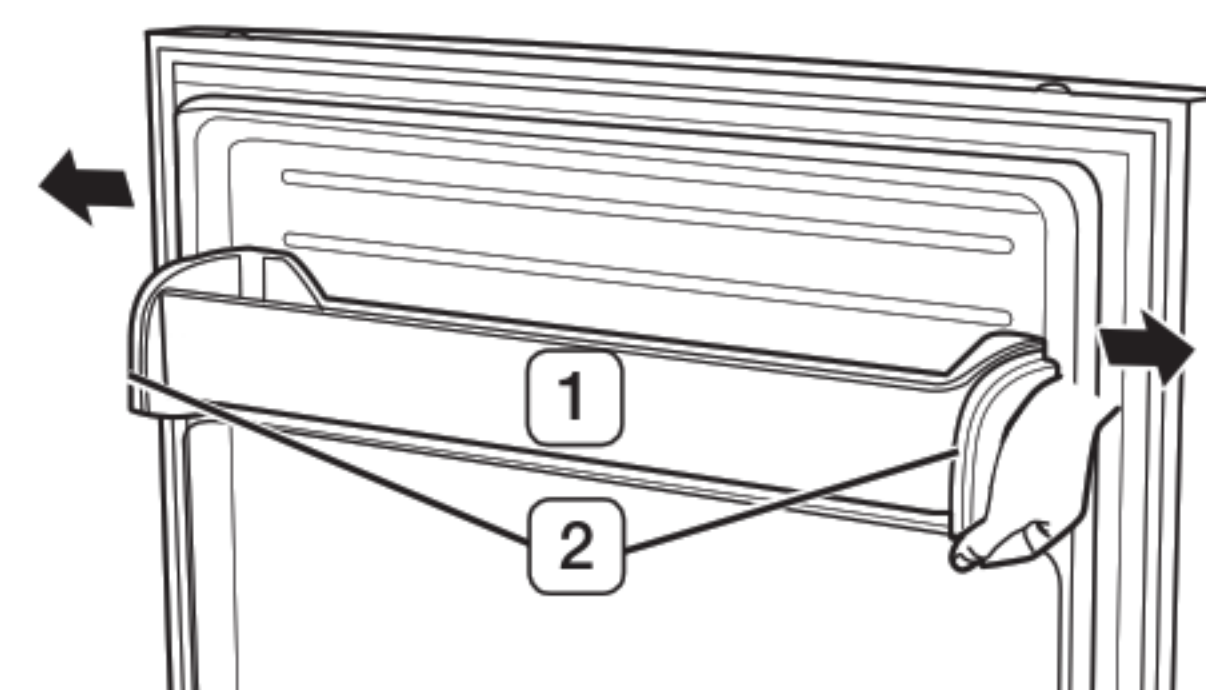


DISASSEMBLE THE FREEZER DRAWER

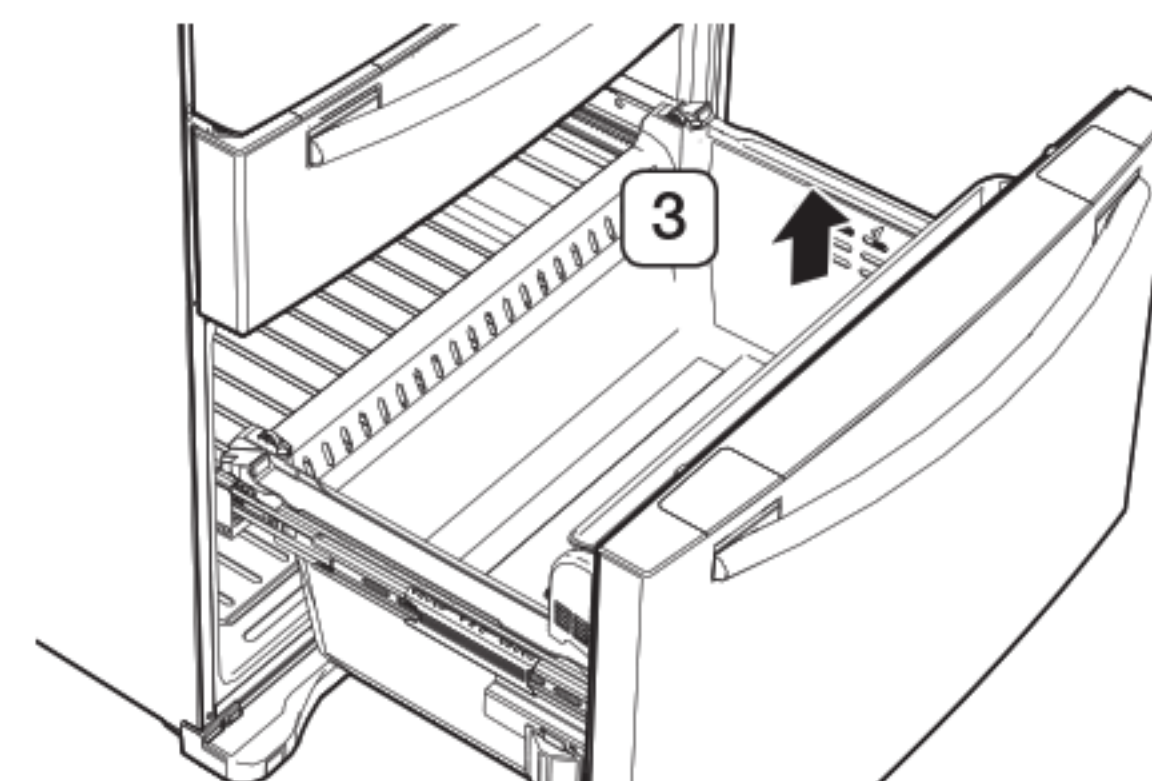
1. Take out the upper drawer by lifting it up.



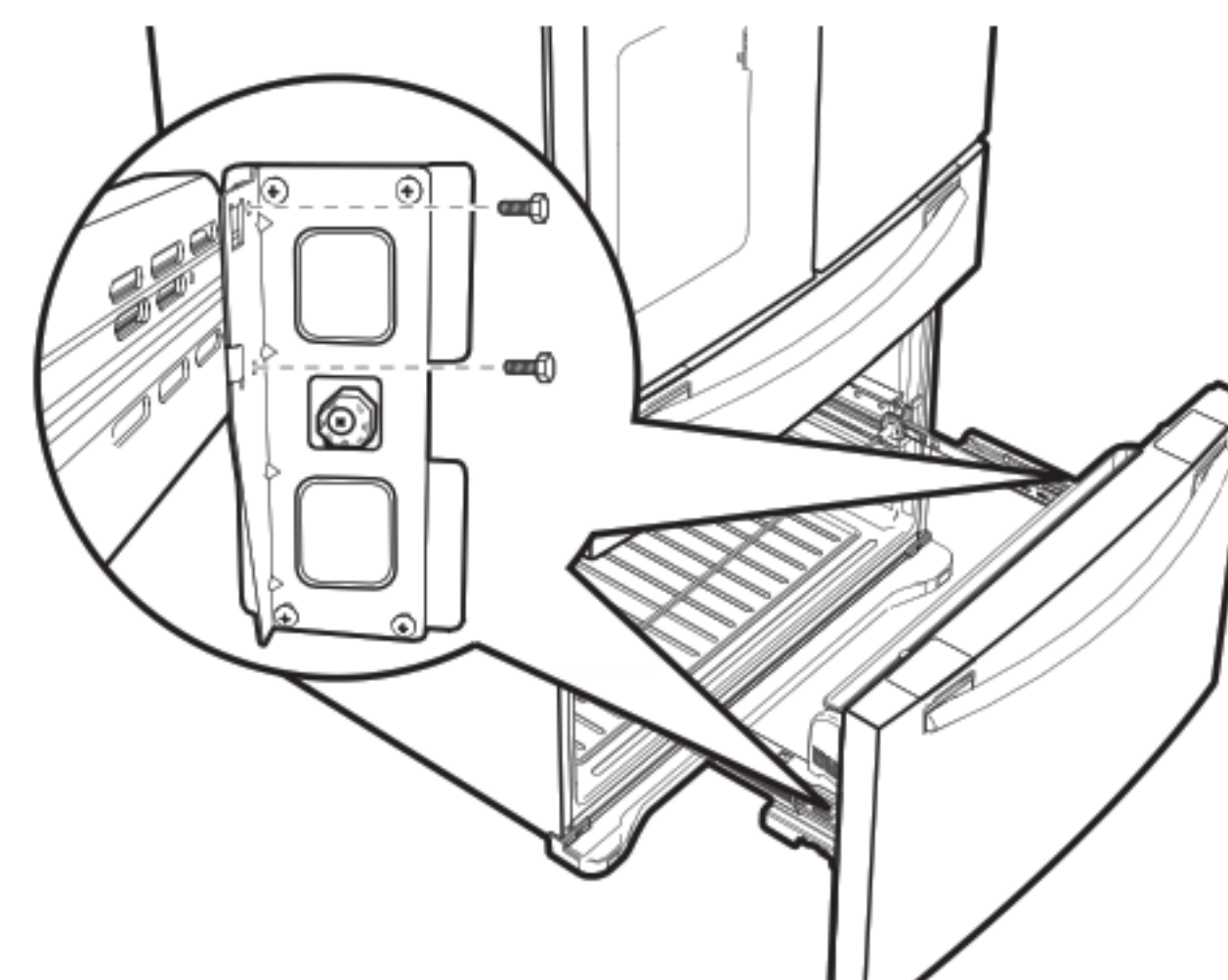
2. Remove the tilting pocket (**1**) by pulling both support guards (**2**) aside. And take out both support guards by pulling them aside.



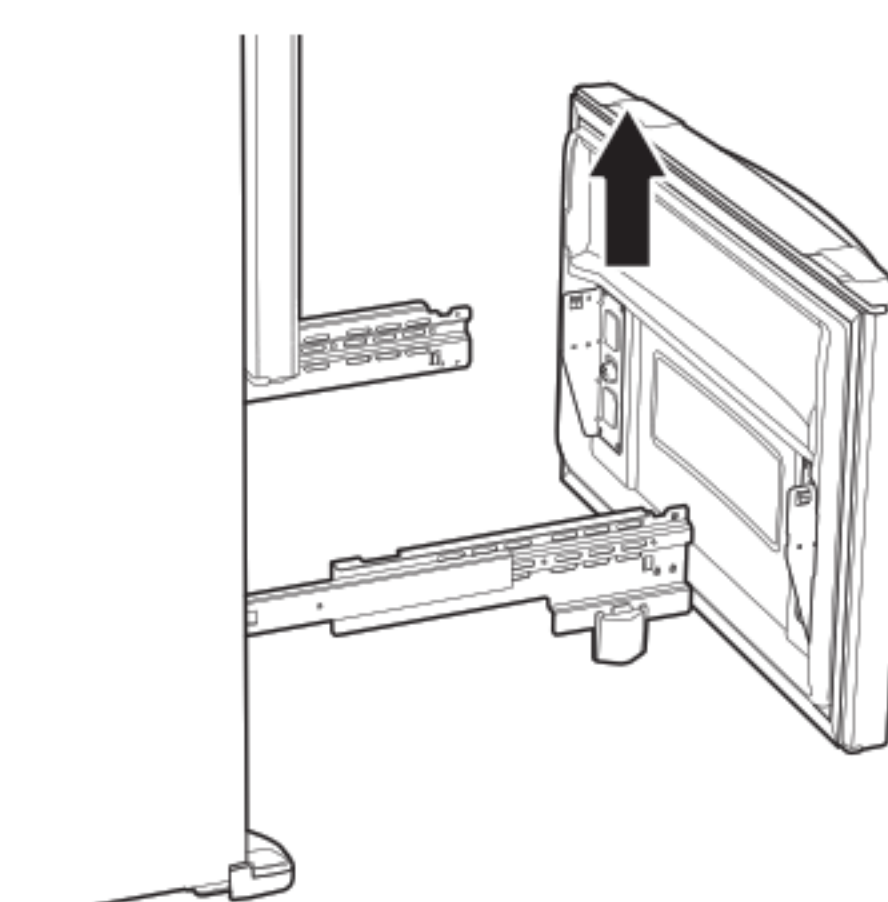
3. Take out the lower basket (**3**) by lifting the basket up from the rail system.



4. Remove 4 hex head bolts from both sides with a socket wrench (10mm).



5. Lift up the freezer door from the rails.

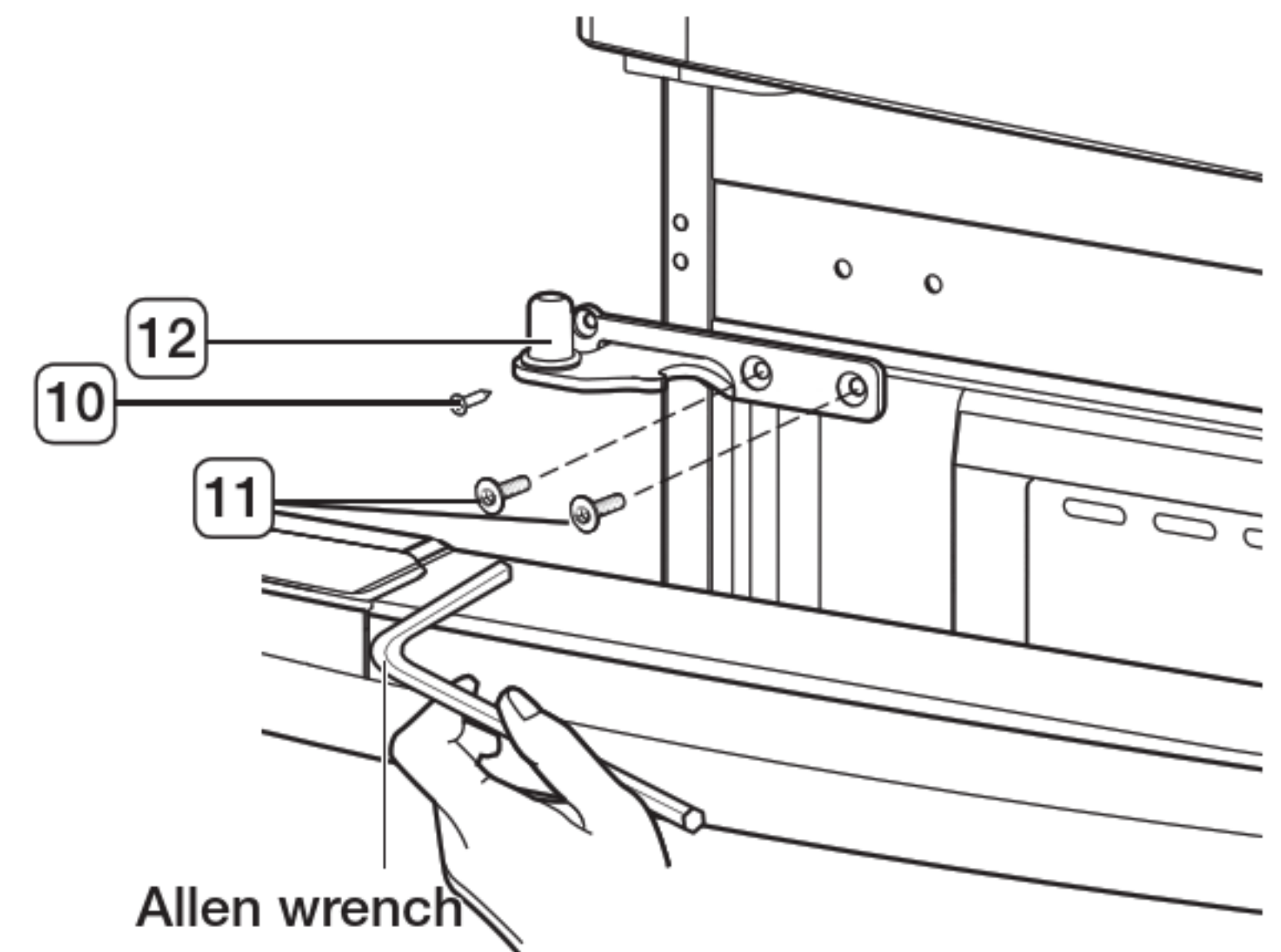


Setting up your French Door Refrigerator

REATTACHING THE REFRIGERATOR DOORS

Assemble the refrigerator doors

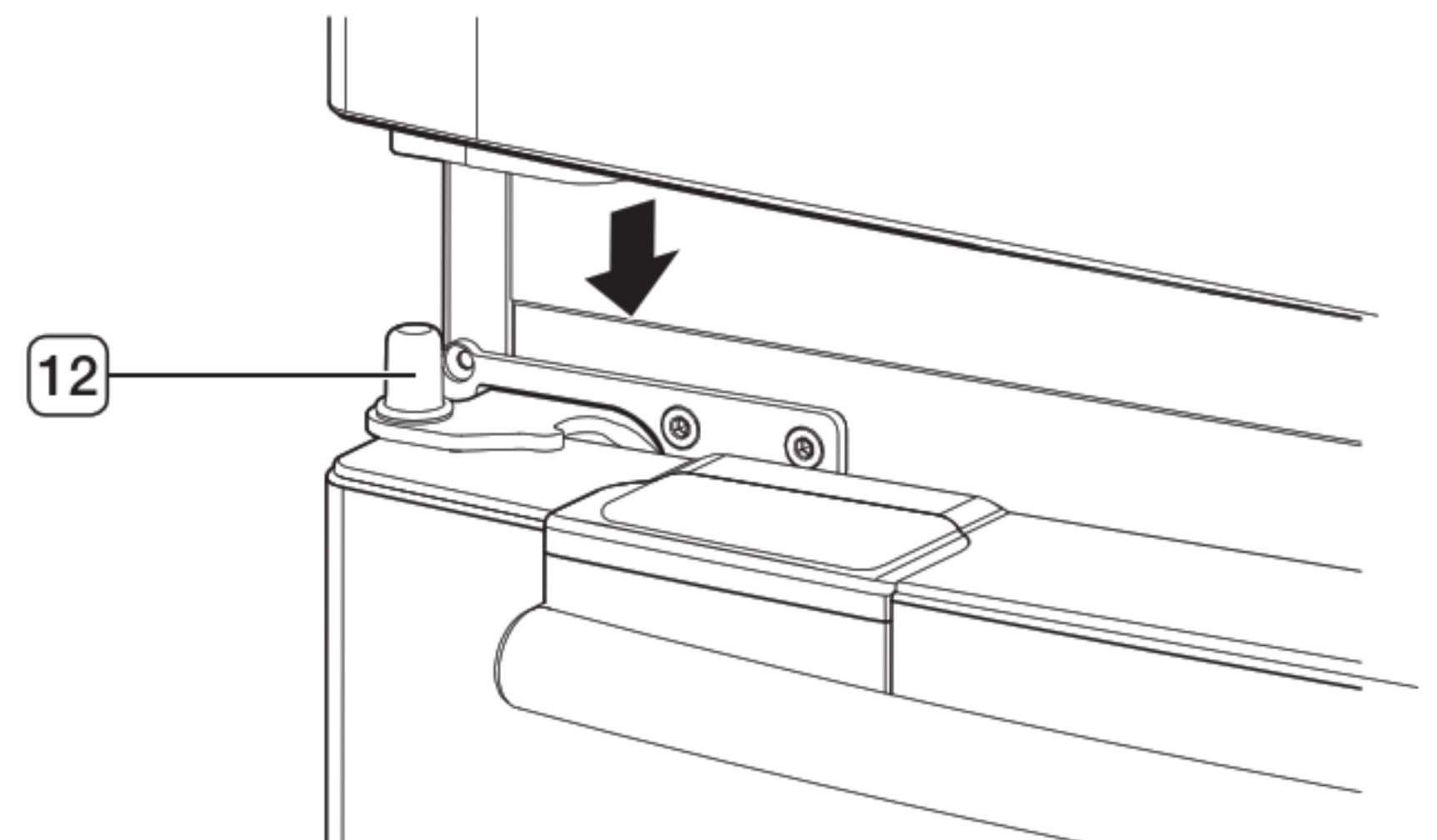
1. Re-attach the lower left and right door hinges (**12**).
Insert the screw (**10**) into the lower left and right door hinges, then tighten with a Philips head screwdriver.
Insert the 2 hex head bolts (**11**) into the lower left and right door hinges, then tighten with an allen wrench (3/16”).



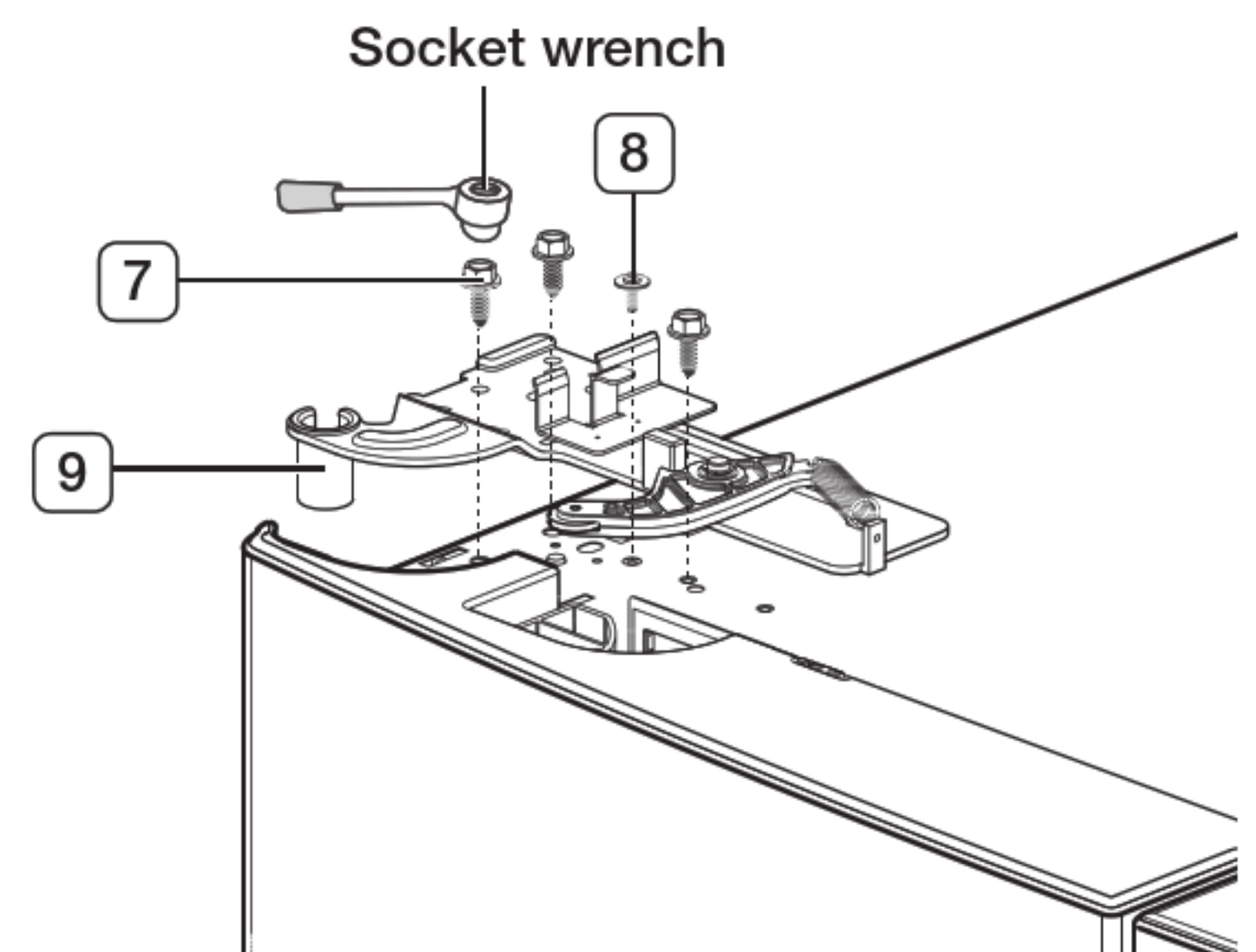
2. Place the hole in the bottom of the door over the door hinge (**12**).



Be careful not to miss the hinge cap because it can be easily taken off.

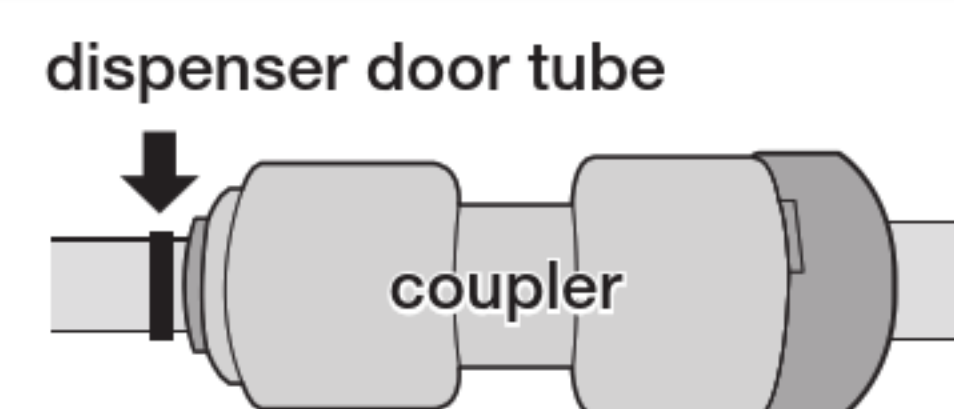
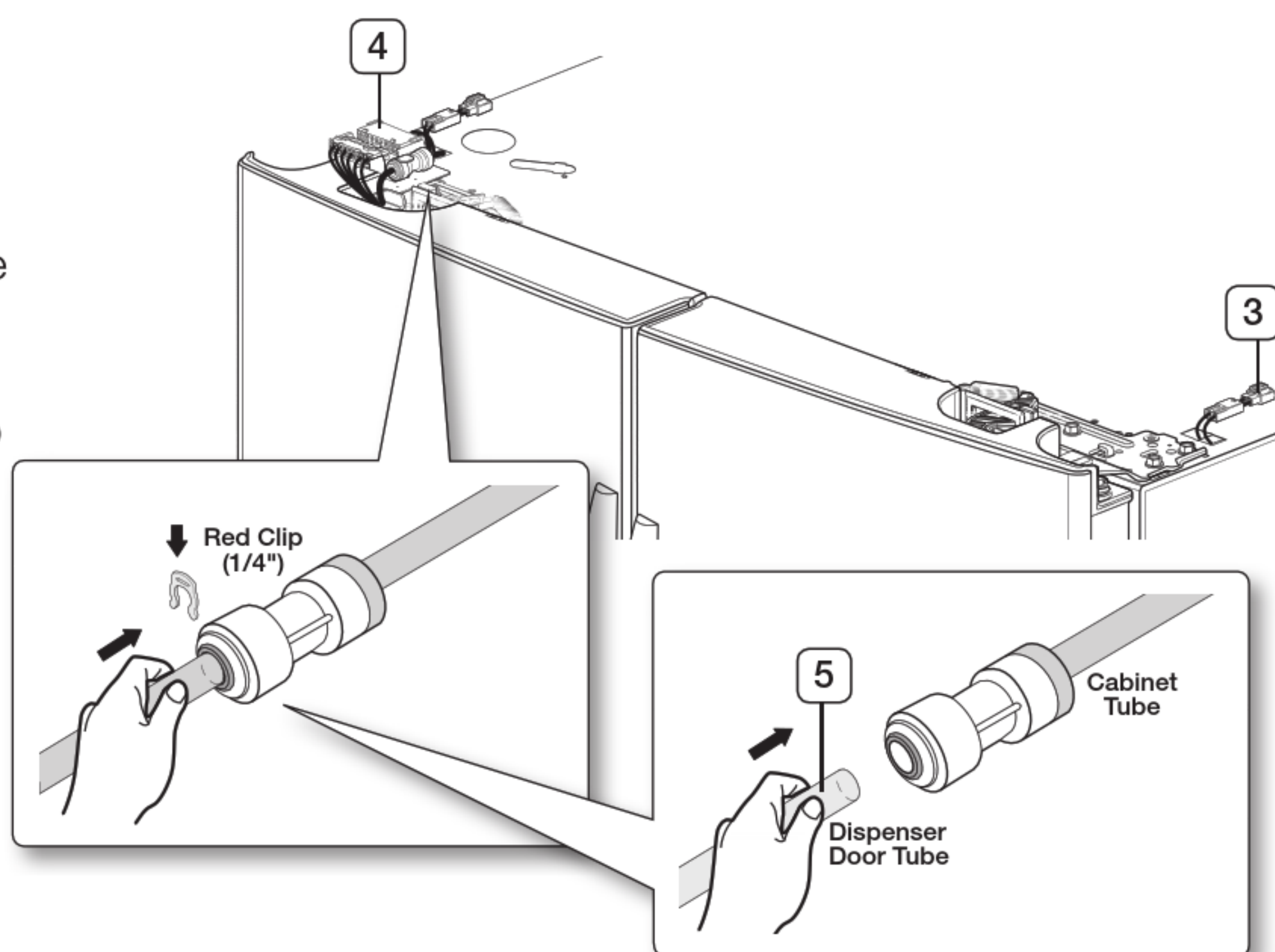


3. Insert the upper hinges (**9**) into the holes at the top of the doors.
Insert the 3 hex head bolts (**7**) into the upper left and right door hinges, then tighten with a socket wrench (10mm).
Insert the ground screw (**8**) into the upper left and right door hinges, then tighten with a philips screwdriver (+).




- Connect the dispenser door tube (**5**) and, then insert a clip on the coupler while pulling tube.
Connect the connector (**4**) on the left side door and one connector (**3**) on the right side door.


 The clip is enveloped inside of the top cap.



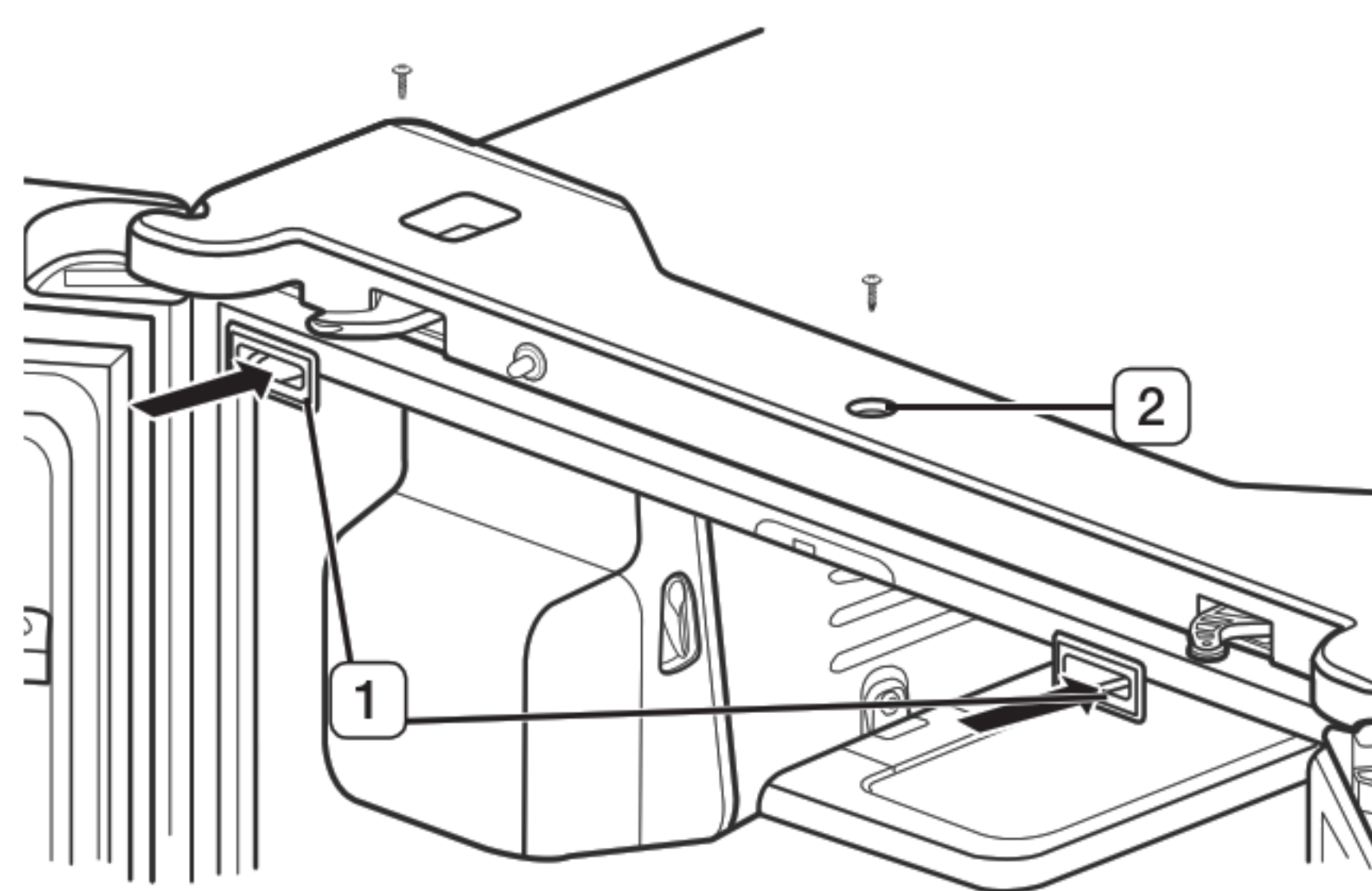
The dispenser door tube (**5**) must be fully inserted to the marked line to prevent water leakage from the dispenser.

- Position the top table (**2**) in place. Insert the 3 screws into the top table then, tighten with a philips screw driver (+). Open the door, reinsert the cap top table (**1**), and then close the doors.

 When re-attaching the top table, make sure that the wires are not pressed or damaged by the hinge cover.

 After assembling, close the door and check to see whether the door has gaps between gaskets or is tilted.

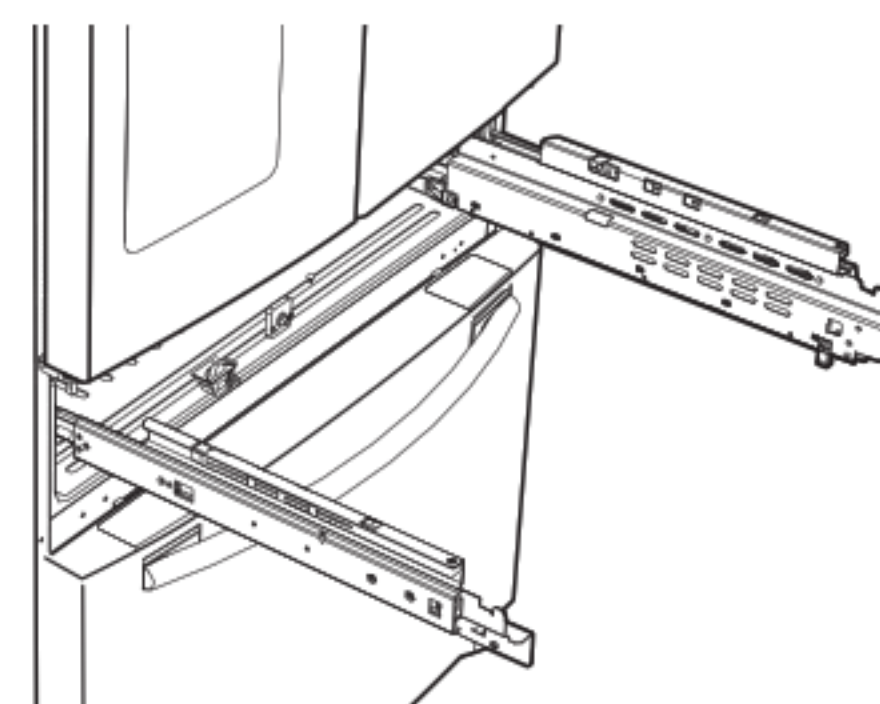
If there is a problem, please refer to "Adjusting the doors" on page 18.



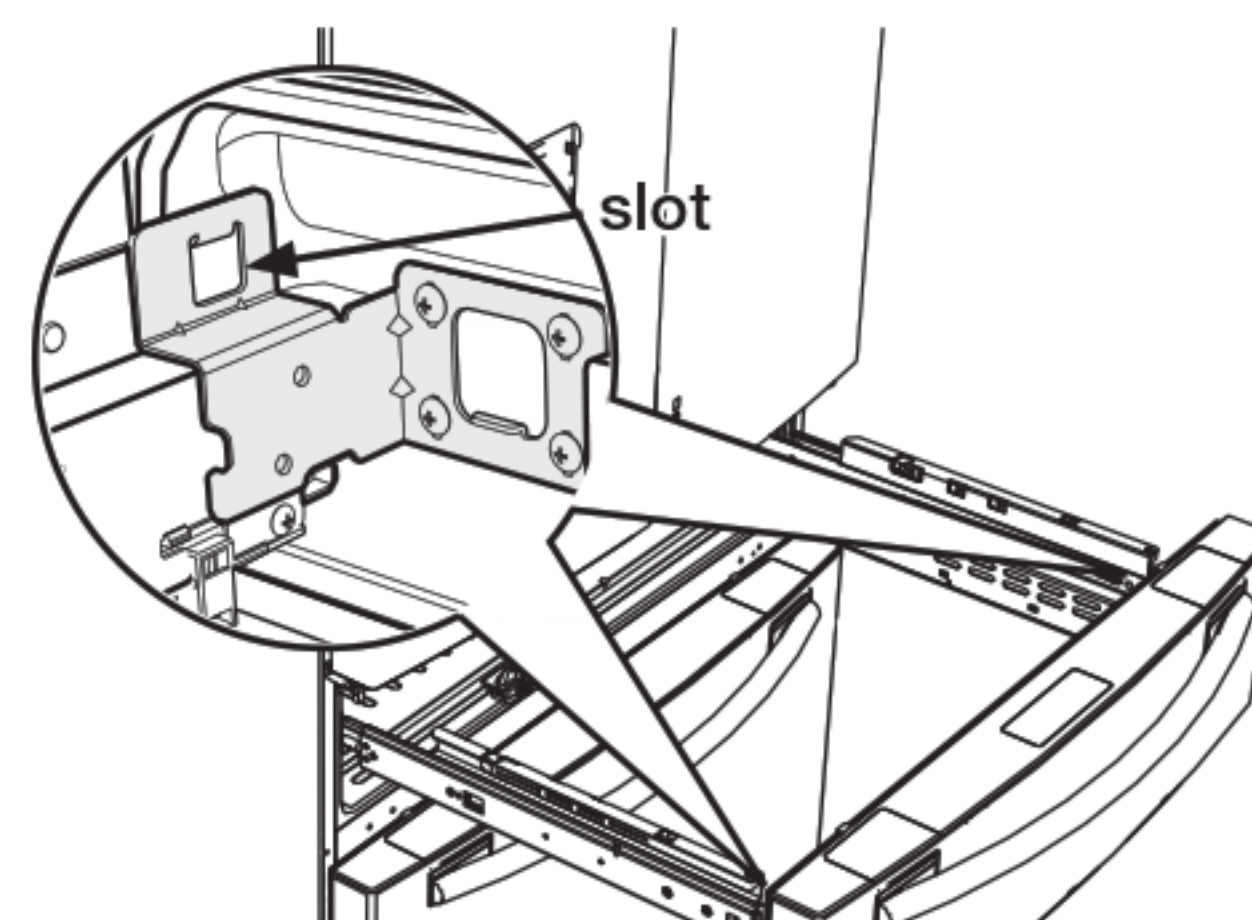
Setting up your French Door Refrigerator

ASSEMBLE THE FLEX DOOR

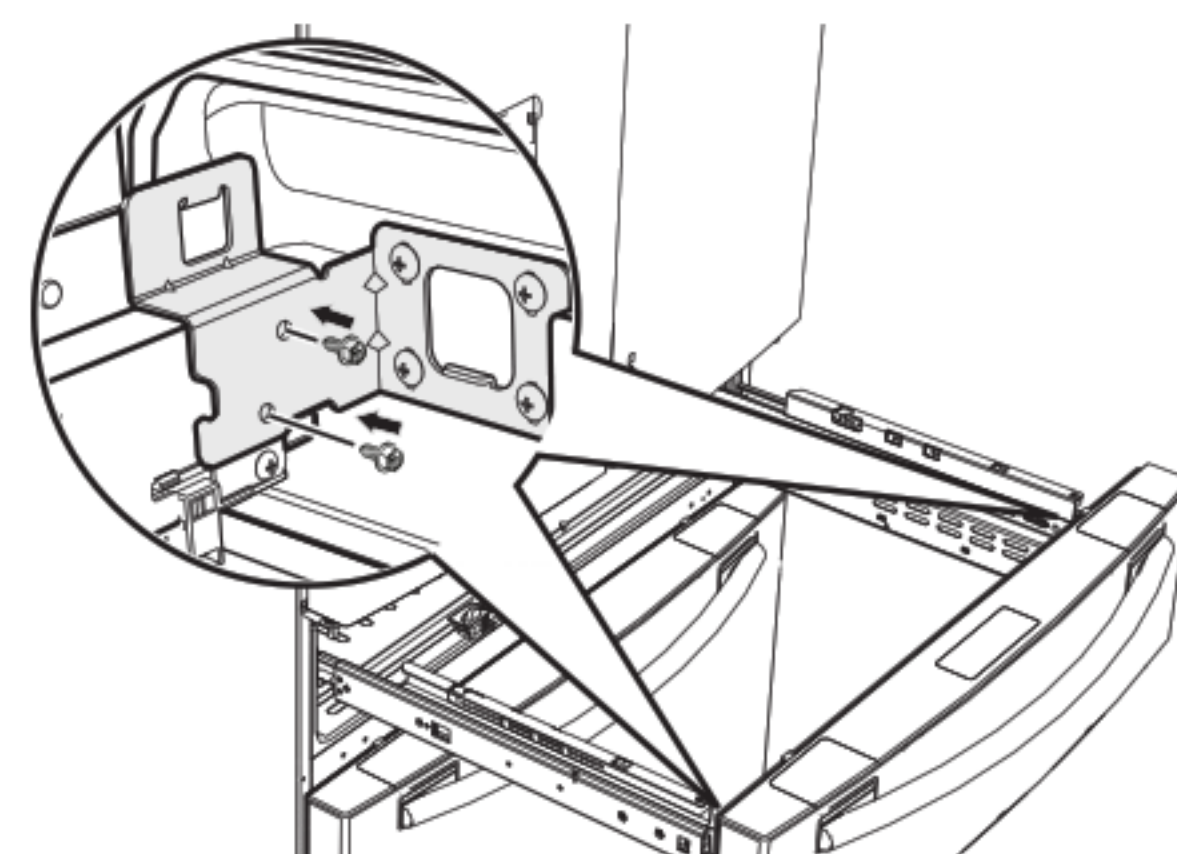
1. Pull out the rails fully on each side of the cabinet.



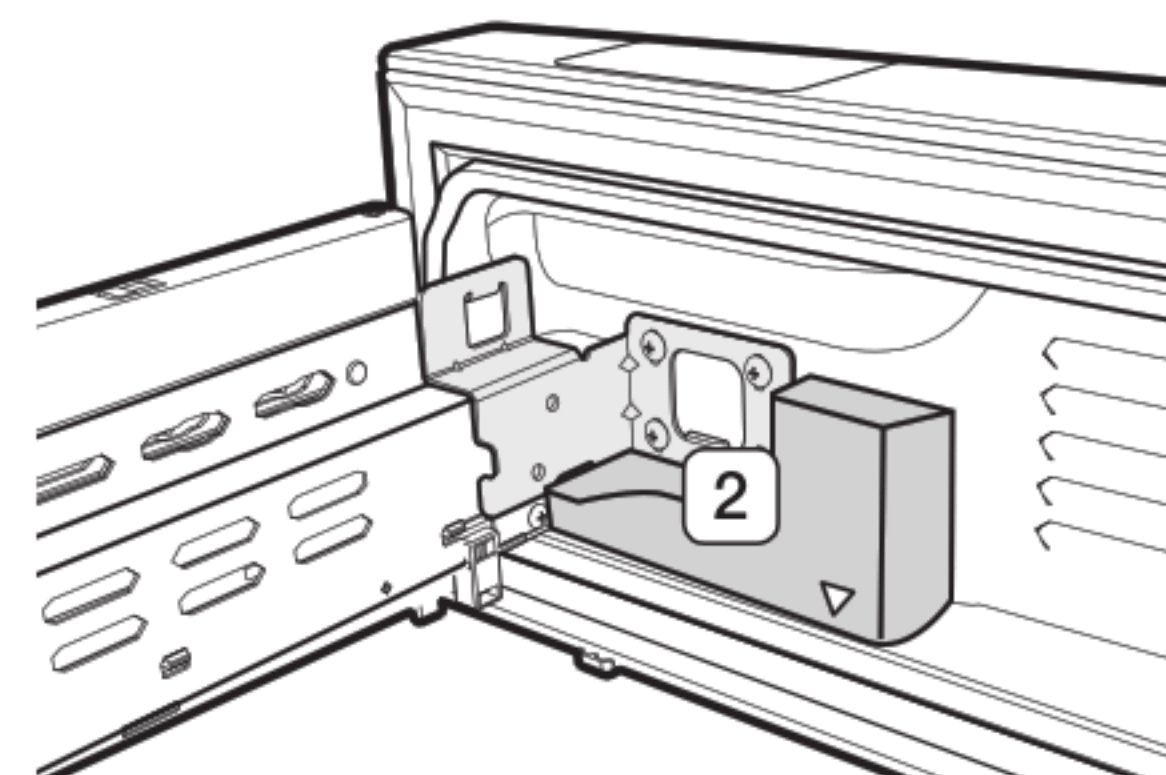
2. Attach the Flex door front onto the open slots on the sides.



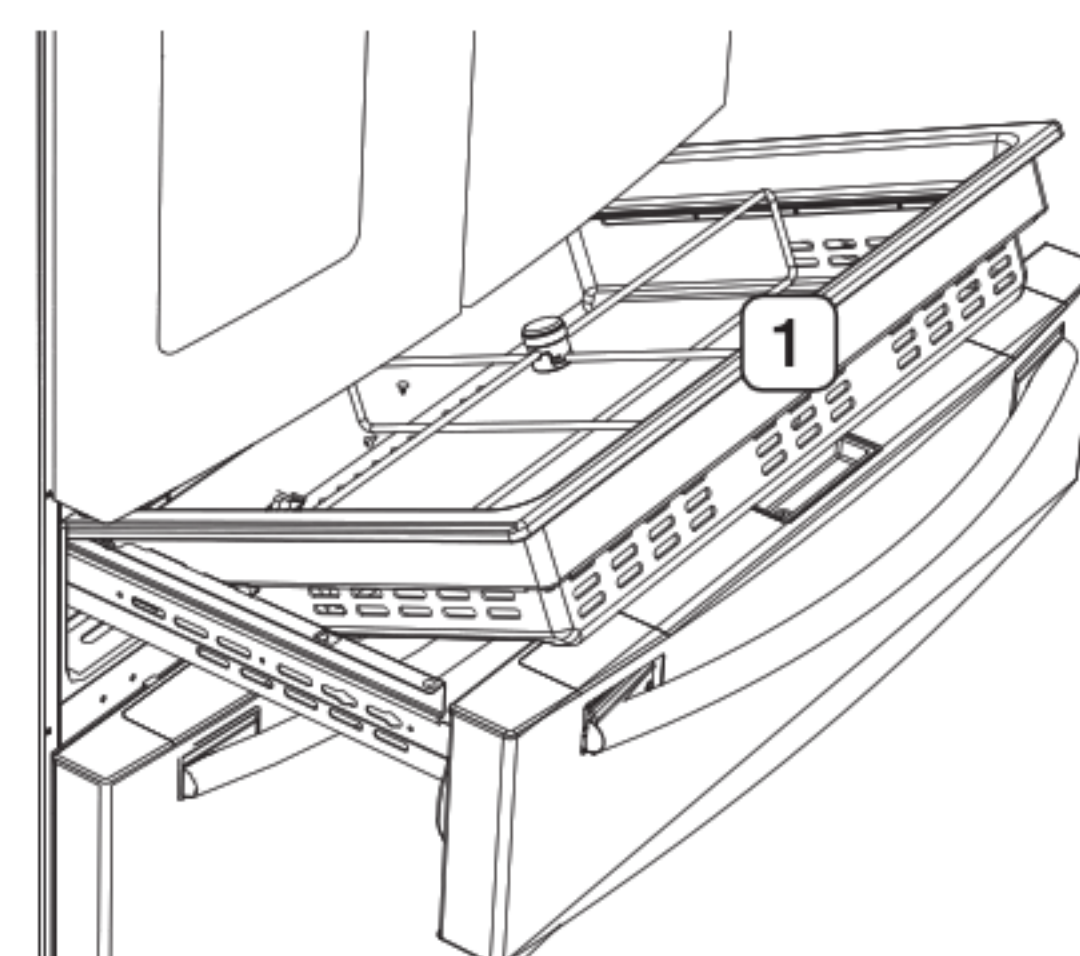
3. Tighten 2 hex head bolts completely with a socket wrench (10mm).



4. Put the cover w/harness (2) on the right joint after connect the housing.

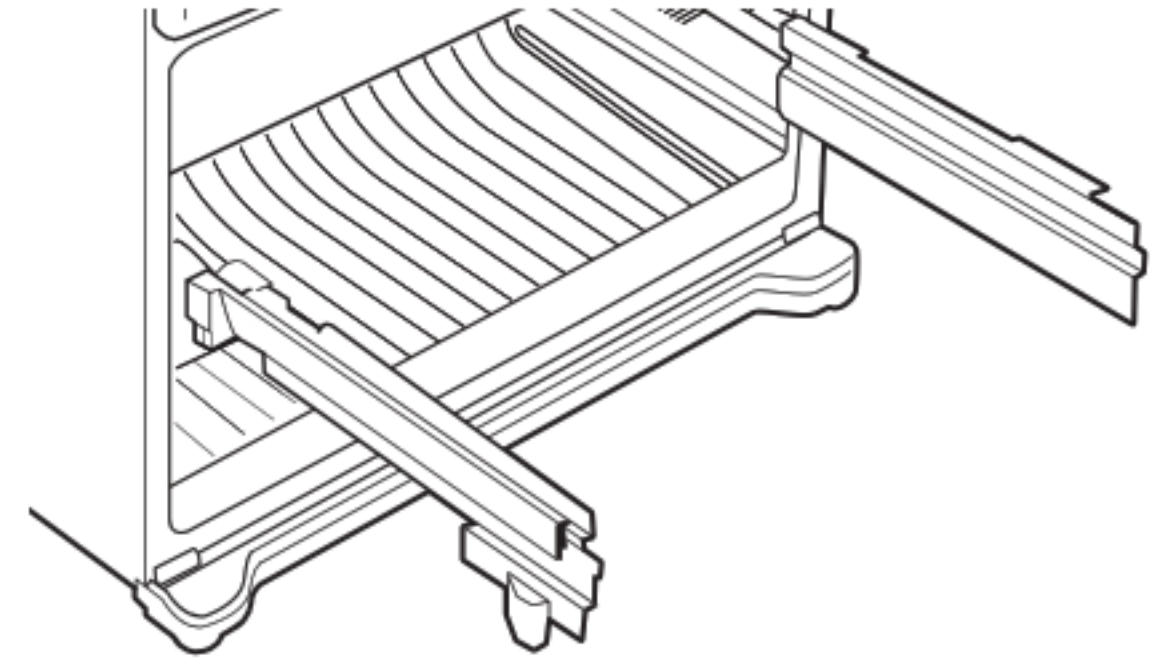


5. Insert the Flex Zone (1) into the rail system.

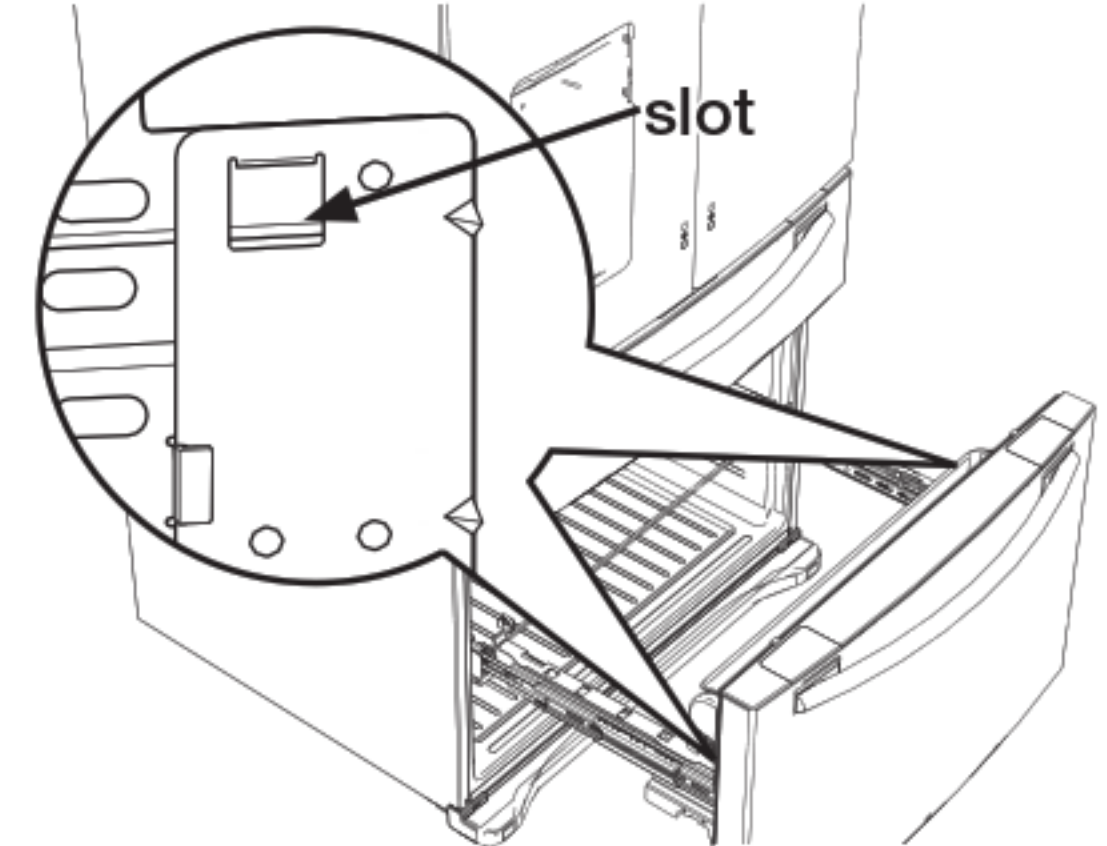


ASSEMBLE THE FREEZER DRAWER

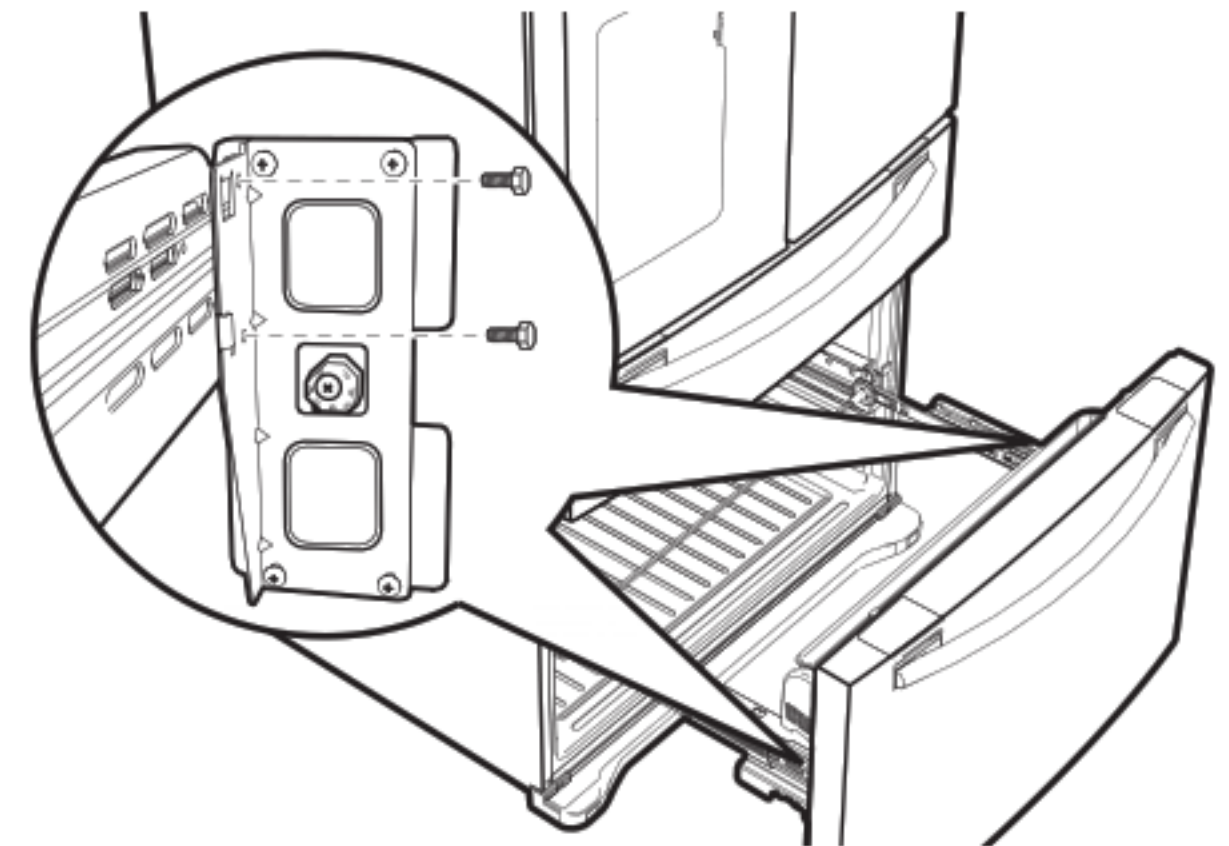
1. Pull out the rails fully on each side of the cabinet.



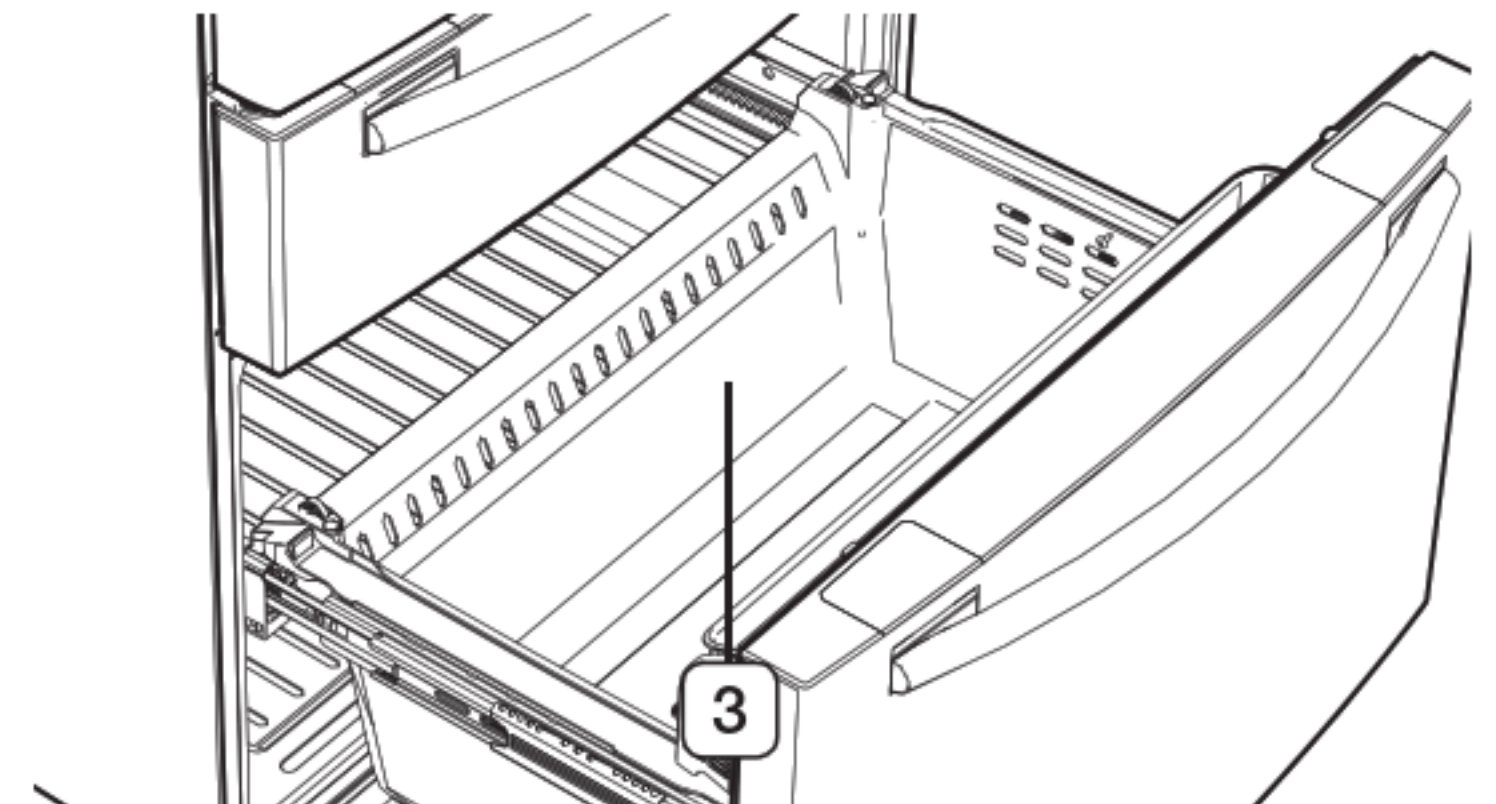
2. Attach the freezer door front onto the open slots on the sides.



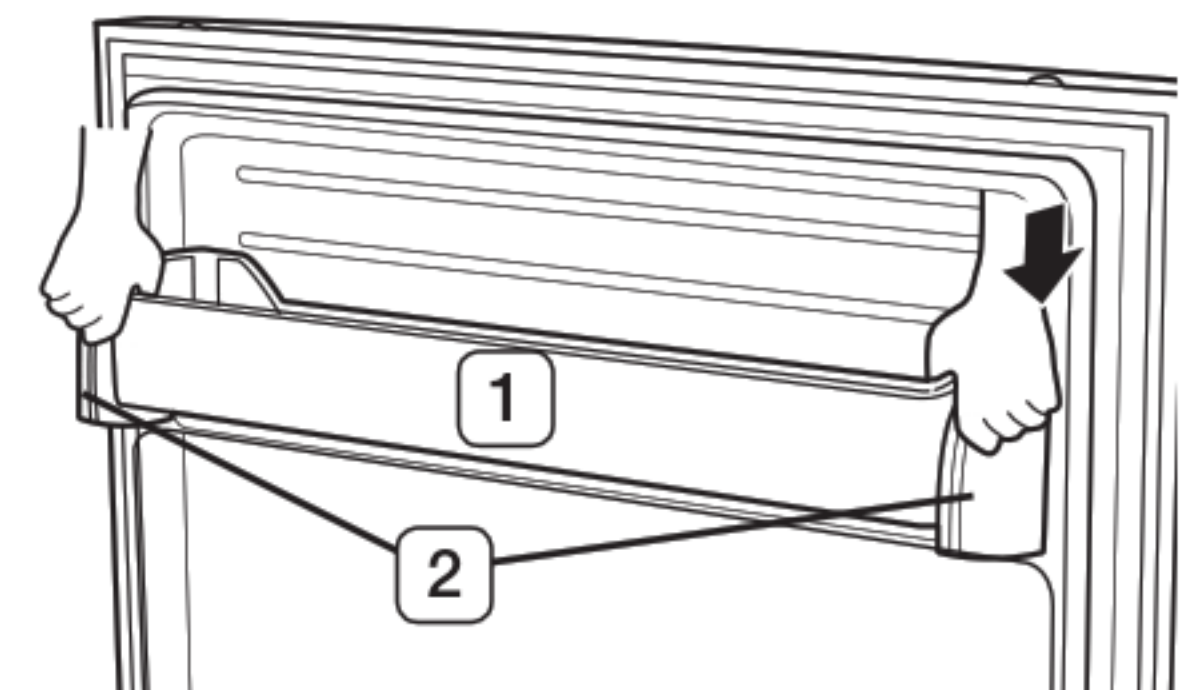
3. Tighten 4 hex head bolts completely with a socket wrench (10mm).




4. Insert the lower basket (3) into the rail system.

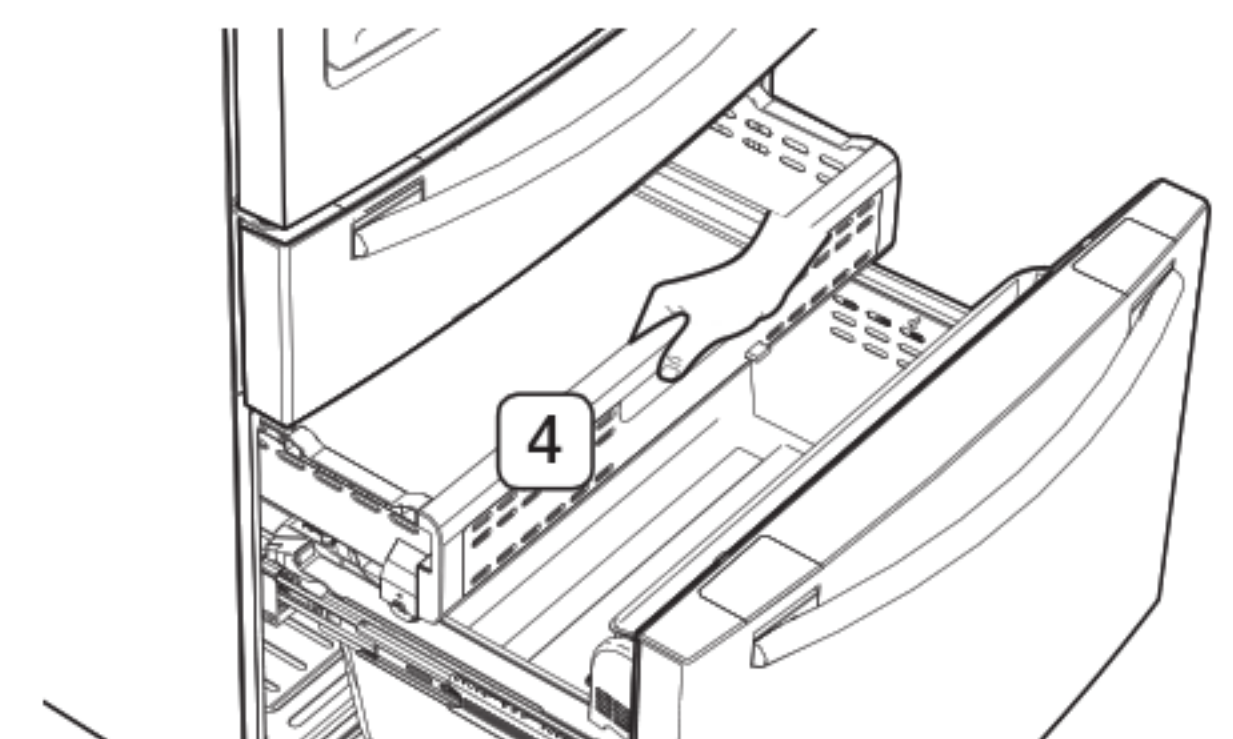


5. Hook the ends of the tilting pocket (1) onto the support guards (2) and push down until they lock into place.



6. Insert the upper drawer.

-  Remove 2 pieces of tape (4) attached to the side of the drawer bin.
Reattach the tape in the same position when moving the refrigerator to prevent scratching the drawer bin.



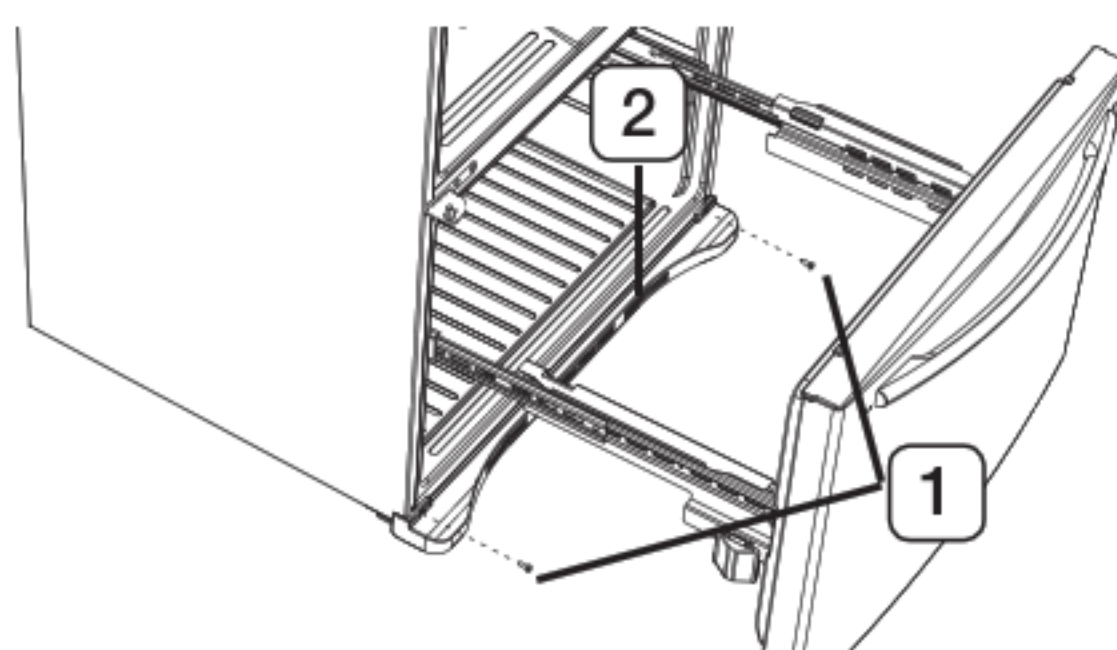
Setting up your French Door Refrigerator

ADJUSTING THE LEVEL

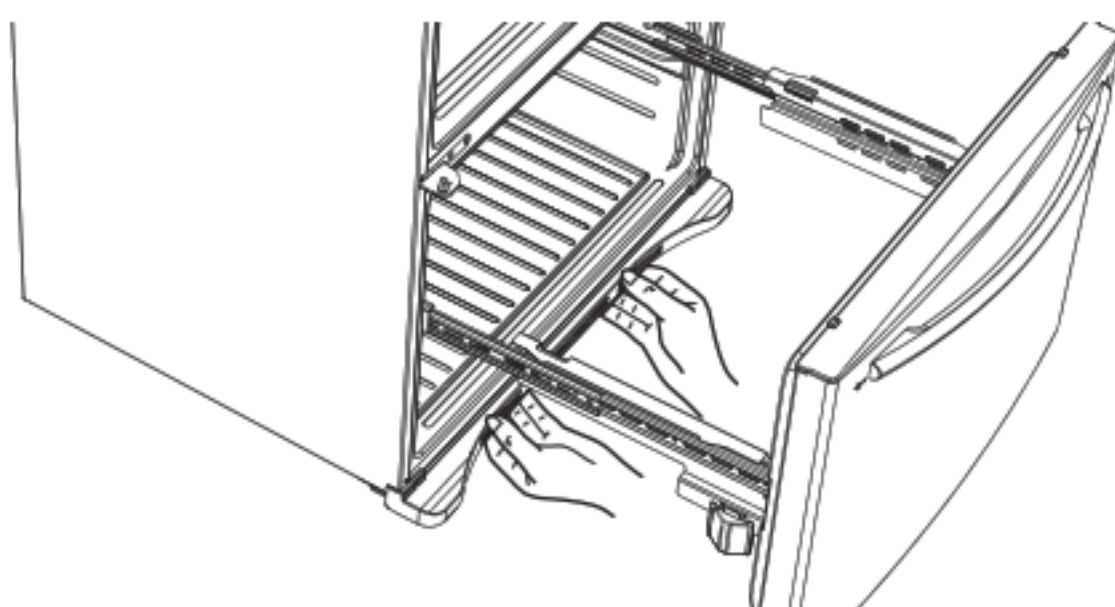
Make sure the refrigerator is level so that you can make final adjustments. Use a level to test if the refrigerator is level both side to side and back to front. If the refrigerator is not level, it will not be possible to get the doors perfectly even, which may cause moisture condensation and increased energy bills. Below is an example of how to level the refrigerator if the left side of the refrigerator is lower than the right side.

How to adjust the level

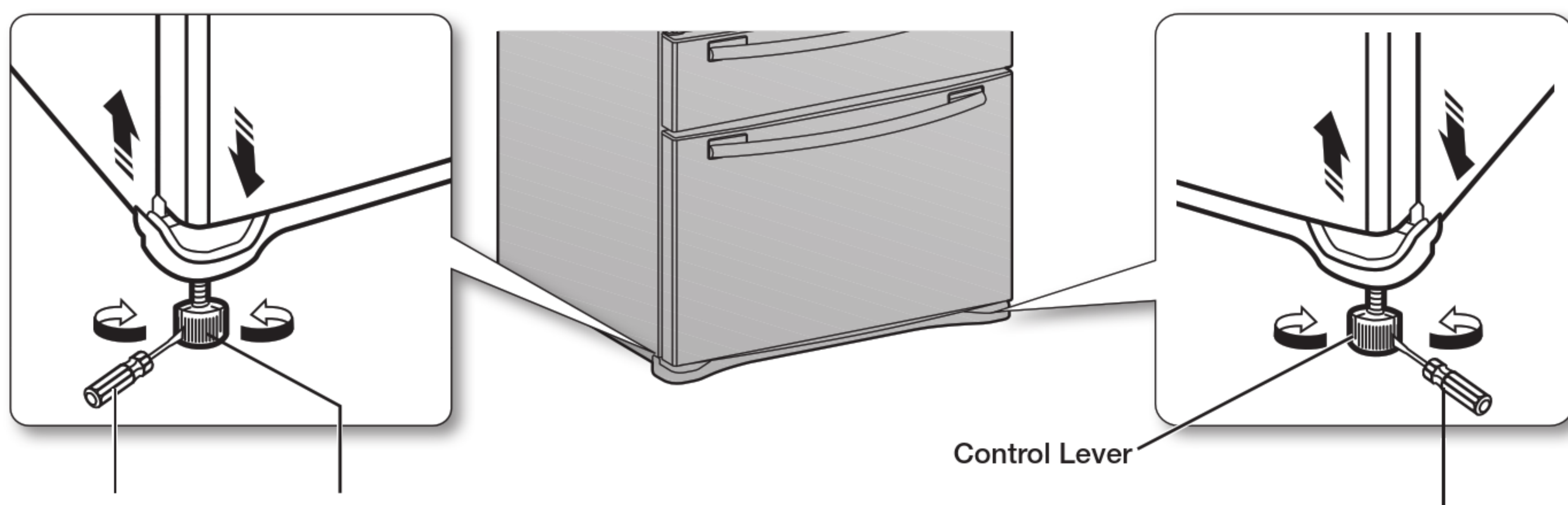
1. Disassemble the freezer drawer. (See to page 12)
2. Remove the two screws (**1**) attached to the cover leg front (**2**) with a Philips screwdriver (+).



3. Remove the cover leg front (**2**) by lifting the bottom part of the cover leg front up and pulling it out.



4. Insert a flat-blade screwdriver (-) into a notch on the left control lever, and turn it count clockwise to level the refrigerator. (You turn the lever clockwise to lower the refrigerator and counterclockwise to raise it.)



flat-blade screwdriver(-) Control Lever

flat-blade screwdriver(-)



Both control levers must be touching the floor to avoid possible personal injury or property damage because of tipping.



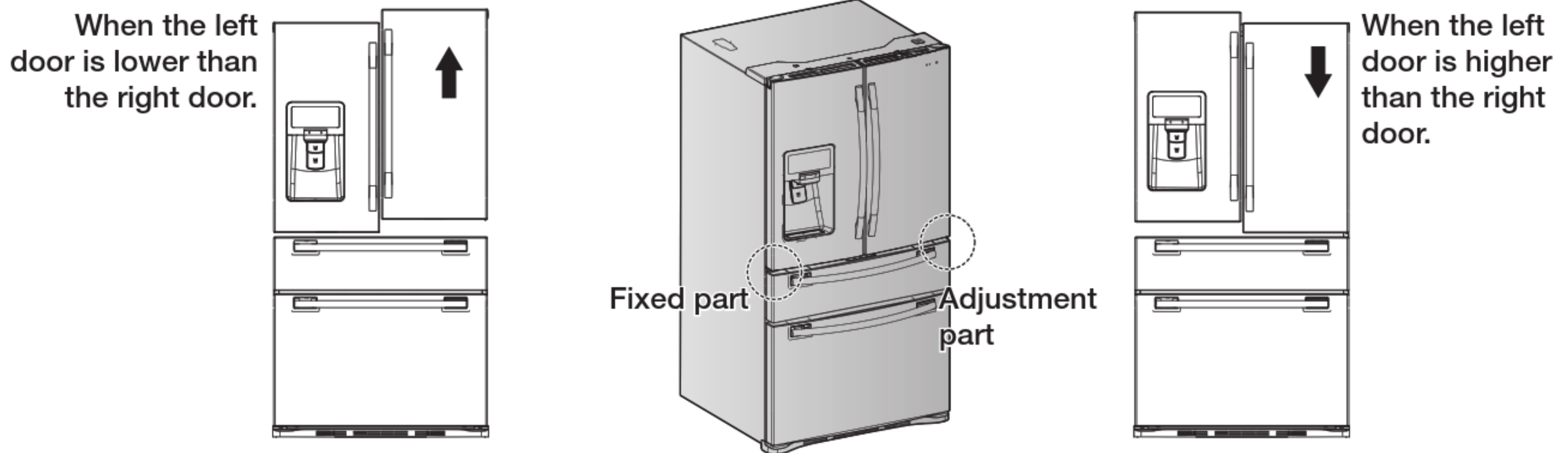
If the right side is lower, perform the same procedure, but with the right control lever.





It is difficult to remove the cover leg front from the refrigerator, so we do not recommend making small adjustments with the control lever. Instead, refer to the next page for the best way to make minor adjustments to the doors.

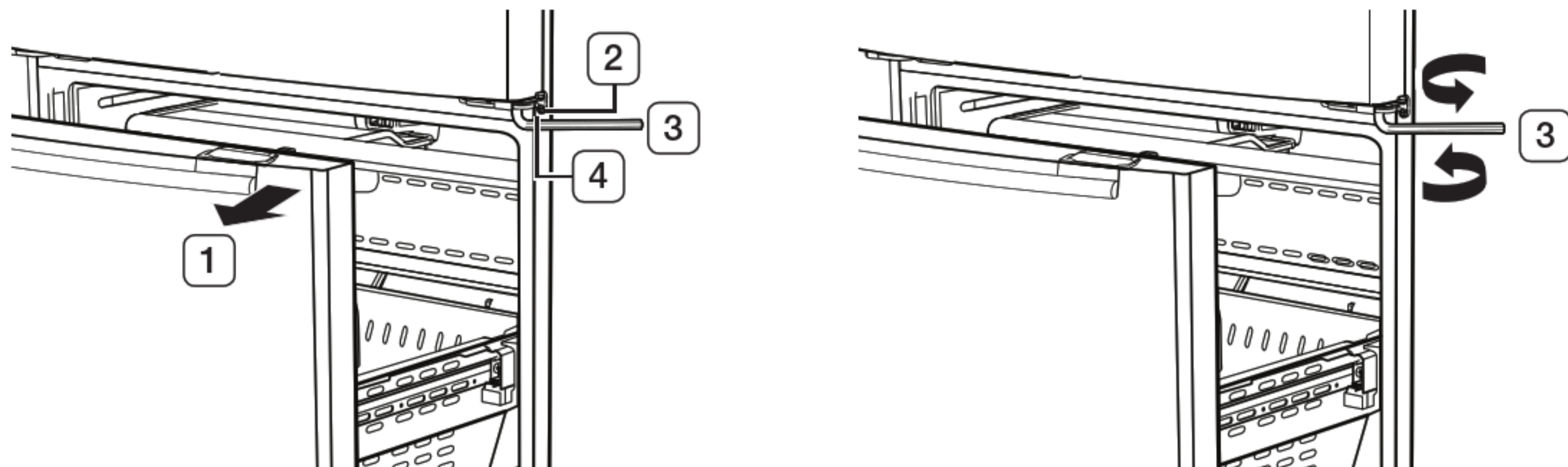
MAKING MINOR ADJUSTMENTS BETWEEN DOORS

Remember, a leveled refrigerator is necessary for getting the doors perfectly even. If you need help, review the previous section on leveling the refrigerator.



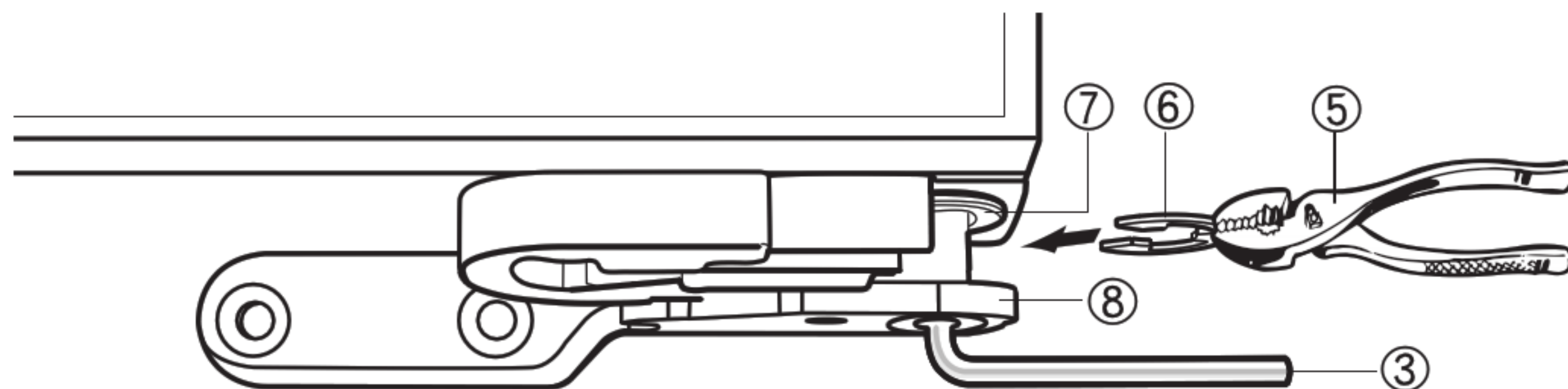
 The left door is fixed. To make minor adjustments between doors, adjust only the right door.


1. Pull out the Convertible door (**1**) to expose the lower hinge (**2**).
2. Insert the supplied allen wrench (3/16") (**3**) into the shaft (**4**) of the lower hinge.
3. Please adjust the height by turning the hex wrench (**3**) clockwise () or counter-clockwise ().



 When you turn the hex wrench counter-clockwise (), the door will move up.

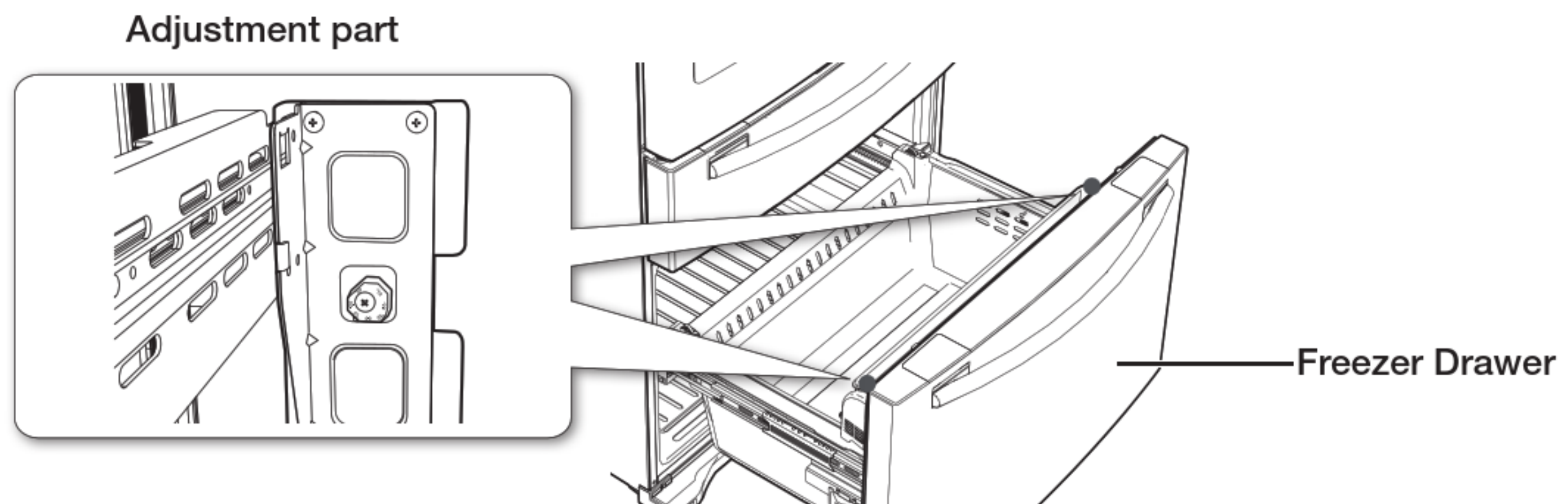
1. After adjusting the doors, please insert the supplied fastener (**6**) using a pliers (**5**) in the gap between the hinge-grommet (**7**) and the lower hinge (**8**). The number of fastener you'll need to insert depends on the gap.



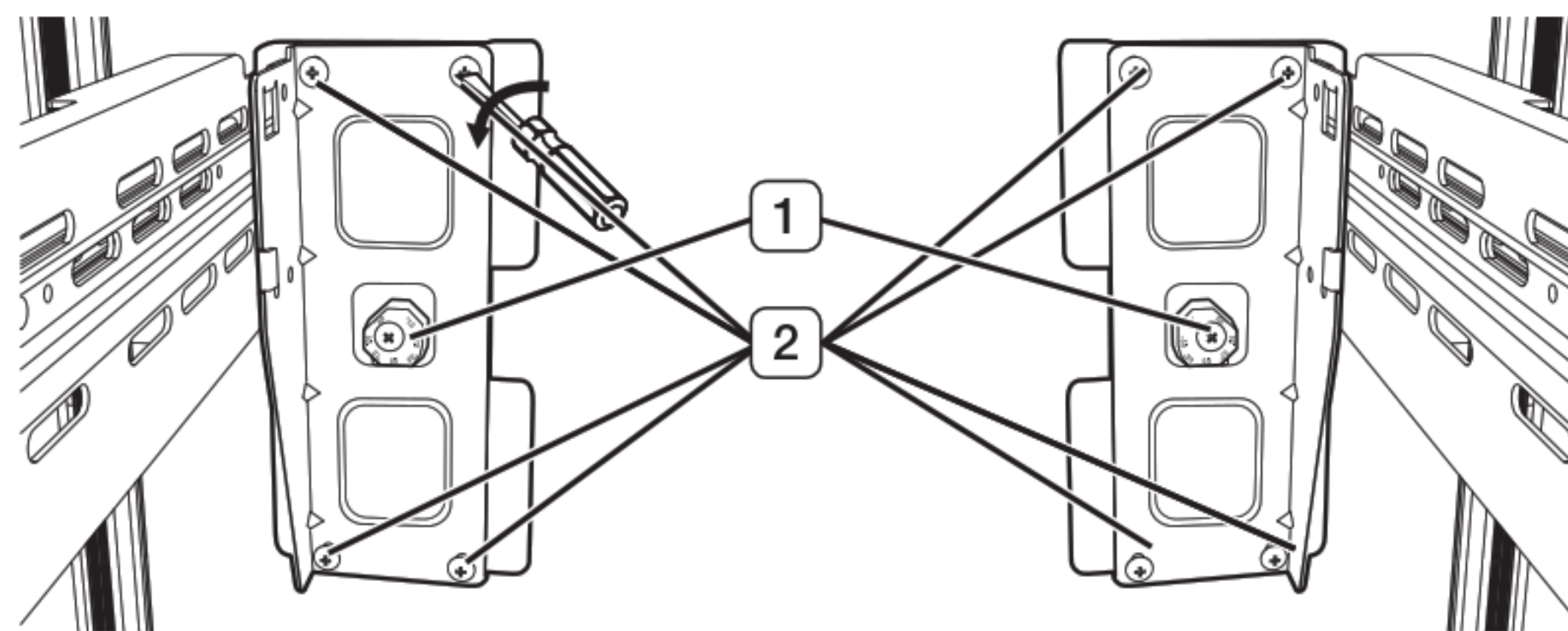
 2 fastener are enclosed with the refrigerator.
The thickness of each fastener is 0.04".

Setting up your French Door Refrigerator

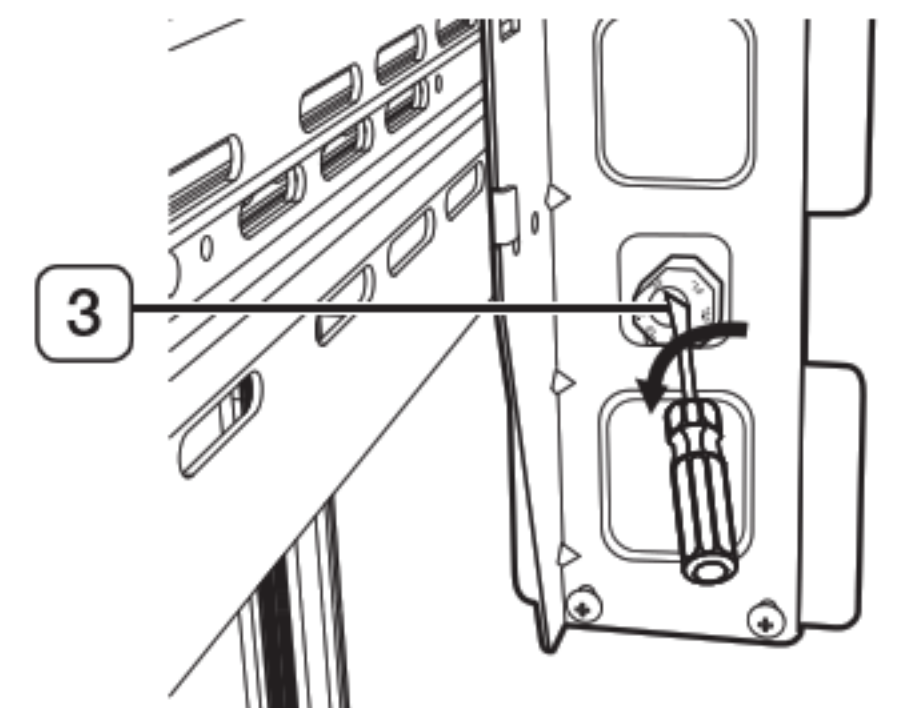
ADJUSTING THE FREEZER DRAWER LEVEL



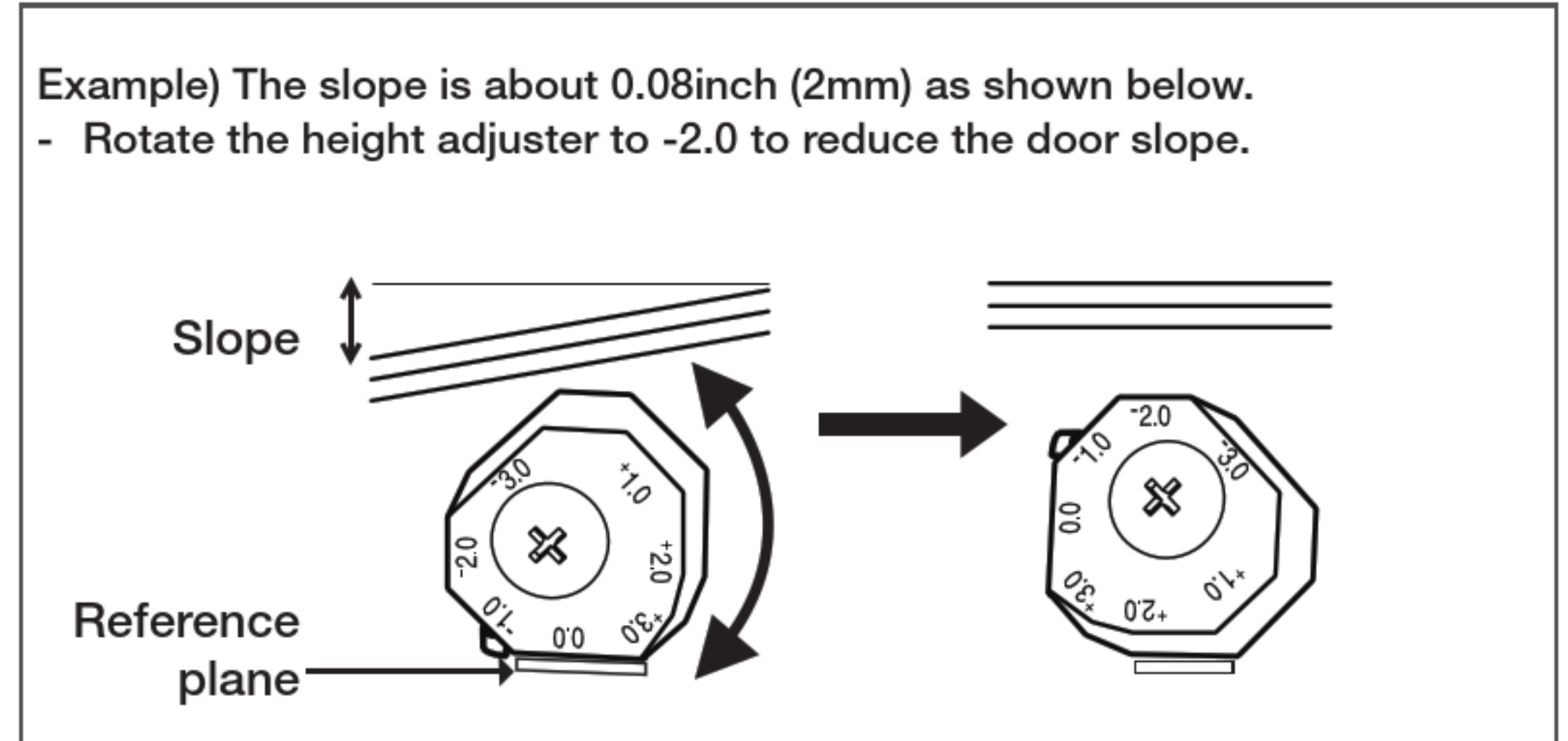
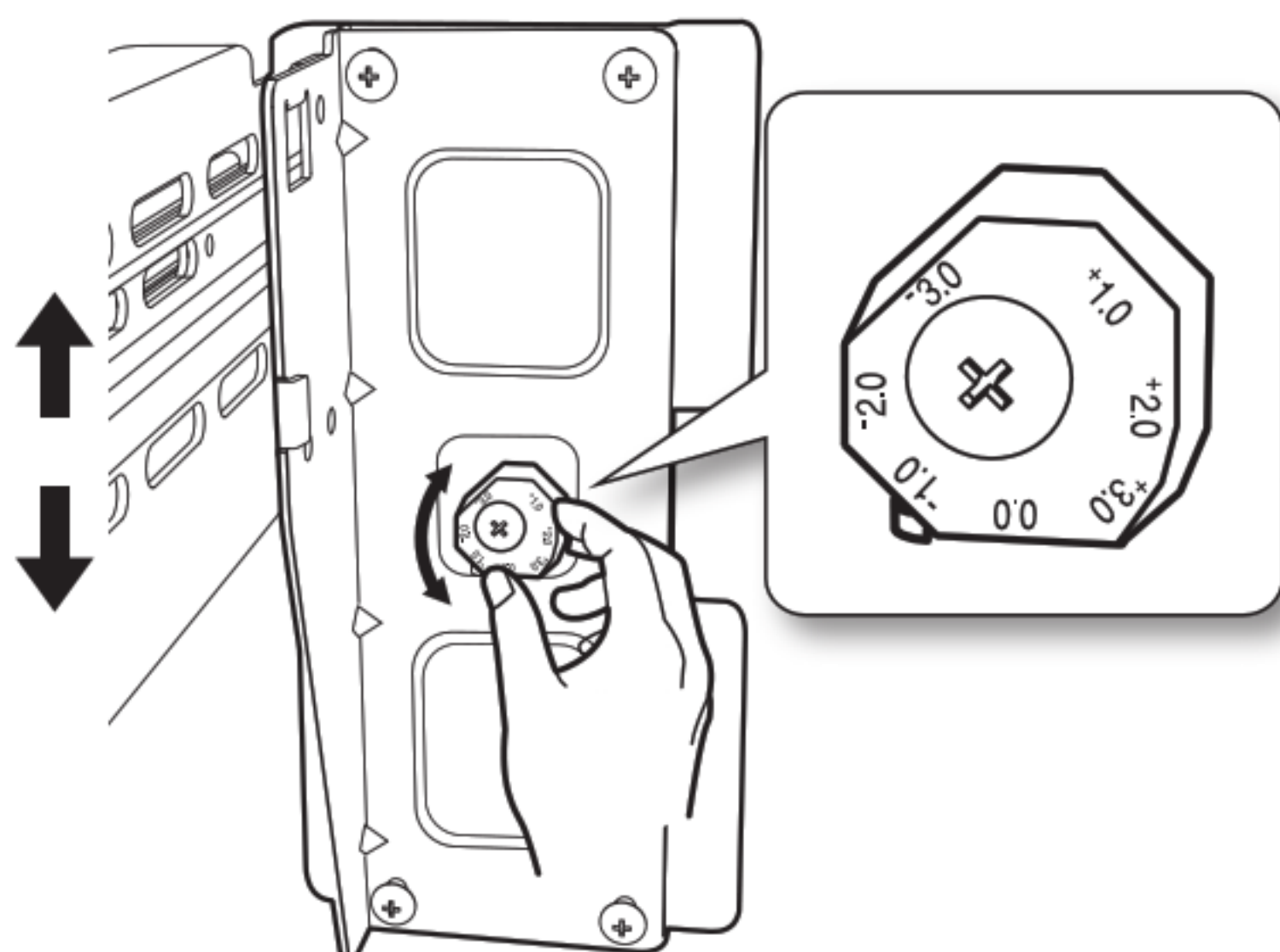
1. Locate the height-adjuster (**1**) in the freezer drawer.
Unscrew the 8 Phillips screws (**2**) slightly to loosen the door.



2. Loosen the controller screw (**3**) with a Phillips screwdriver(+).



3. Find the best level to align the door slope.
 - After adjustment, tighten the controller screw (**3**) and then philips screws.




CHECKING THE WATER DISPENSER LINE

A water dispenser with a filter is one of the helpful features on your new refrigerator. To help promote better health, the water filter removes unwanted particles from your water. However, it does not sterilize or destroy microorganisms. You may need to purchase a water purifying system to do that.

In order for the ice maker to operate properly, a water pressure of 20~125 psi is required. Under normal conditions, a 170 cc (5.75 oz.) cup can be filled in about 10 seconds.

If the refrigerator is installed in an area with low water pressure (below 20psi), you can install a booster pump to compensate for the low pressure.

After you have connected the water line, make sure the water storage tank inside the refrigerator is properly filled. To do this, press the water dispenser lever until the water runs from the water outlet.

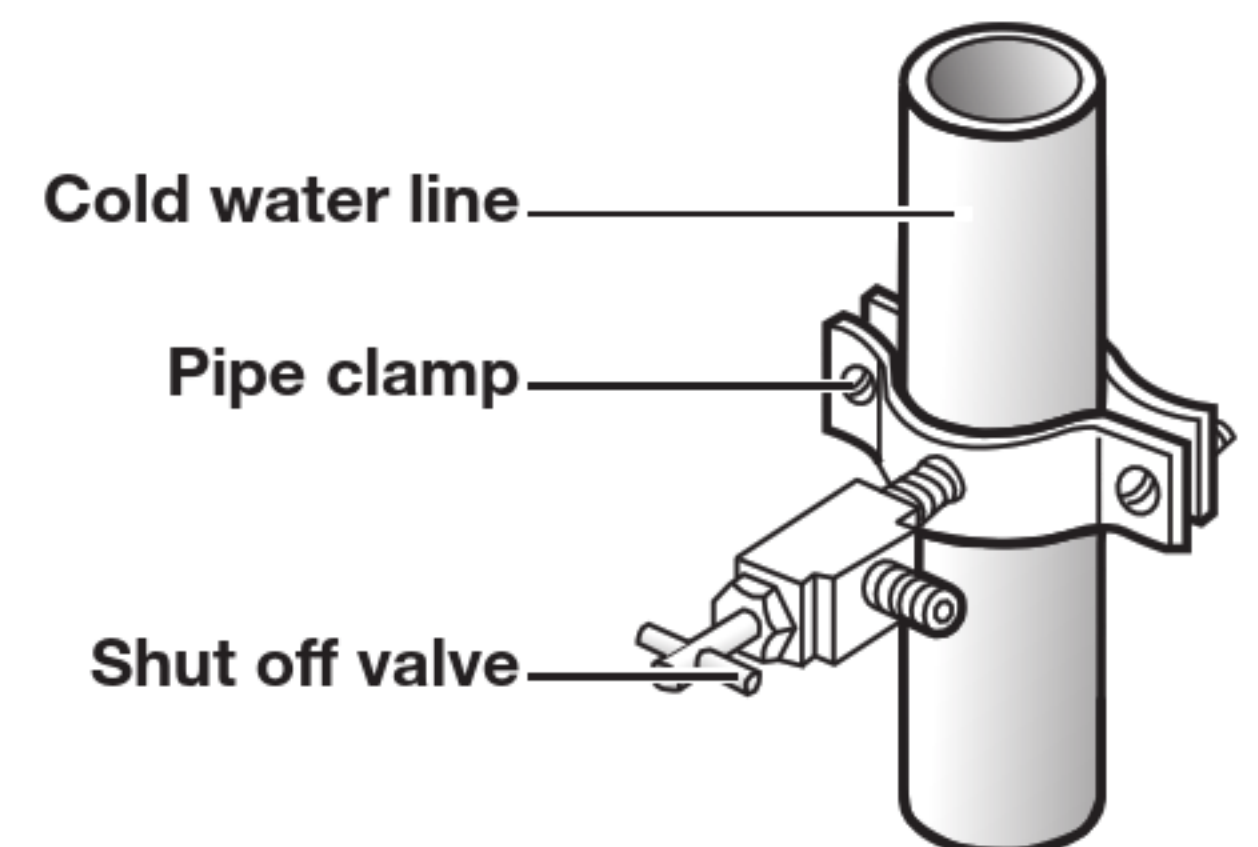
-  Water line installation kits are available at extra cost from your dealer. We recommend using a water line installation kit that contains copper tubing and ¼" compression nut.

Connecting to the water supply line

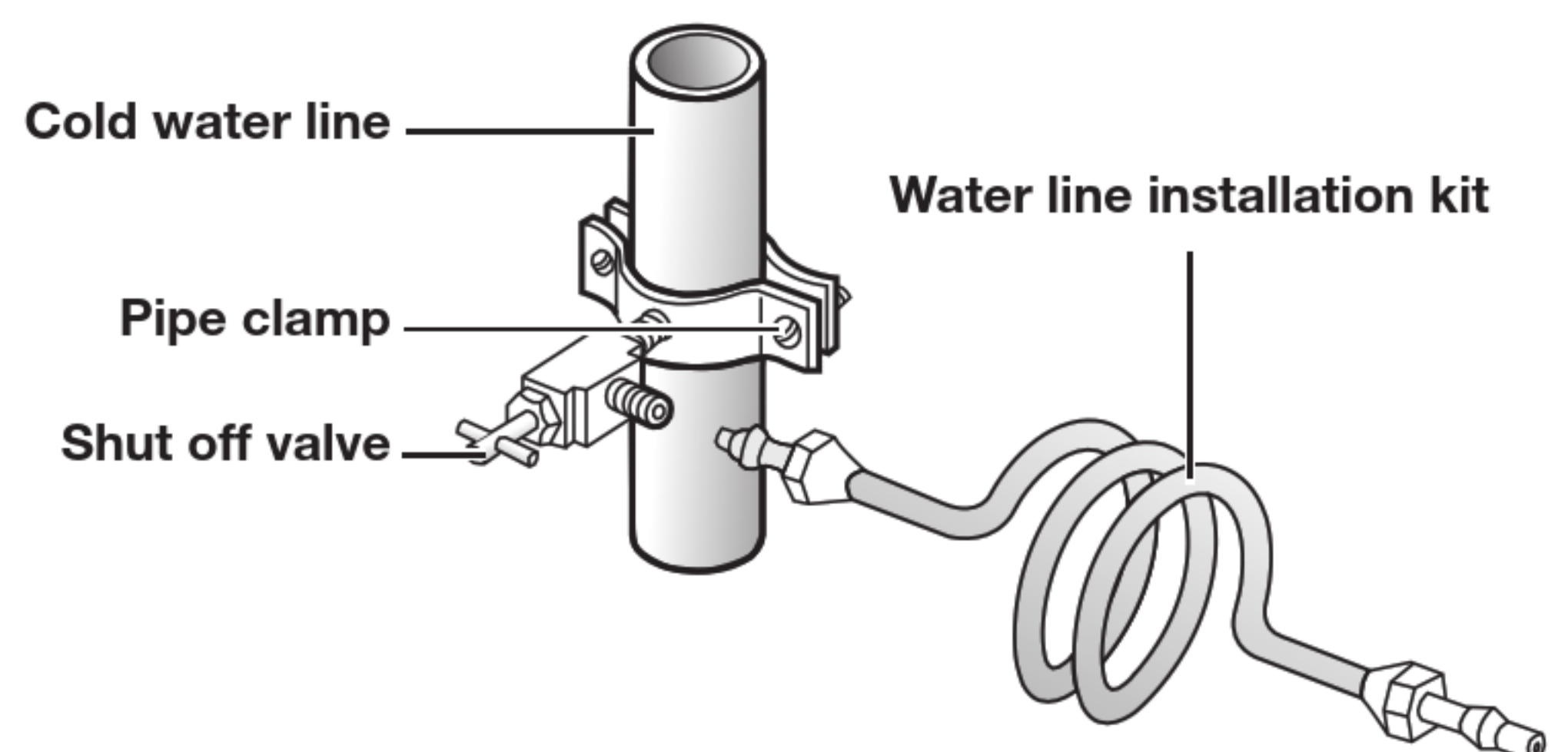
1. First, shut off the main water supply.



2. Locate the nearest cold water drinking line and install the pipe clamp and shut off valve.



3. Connect the water line installation kit to shut off valve.



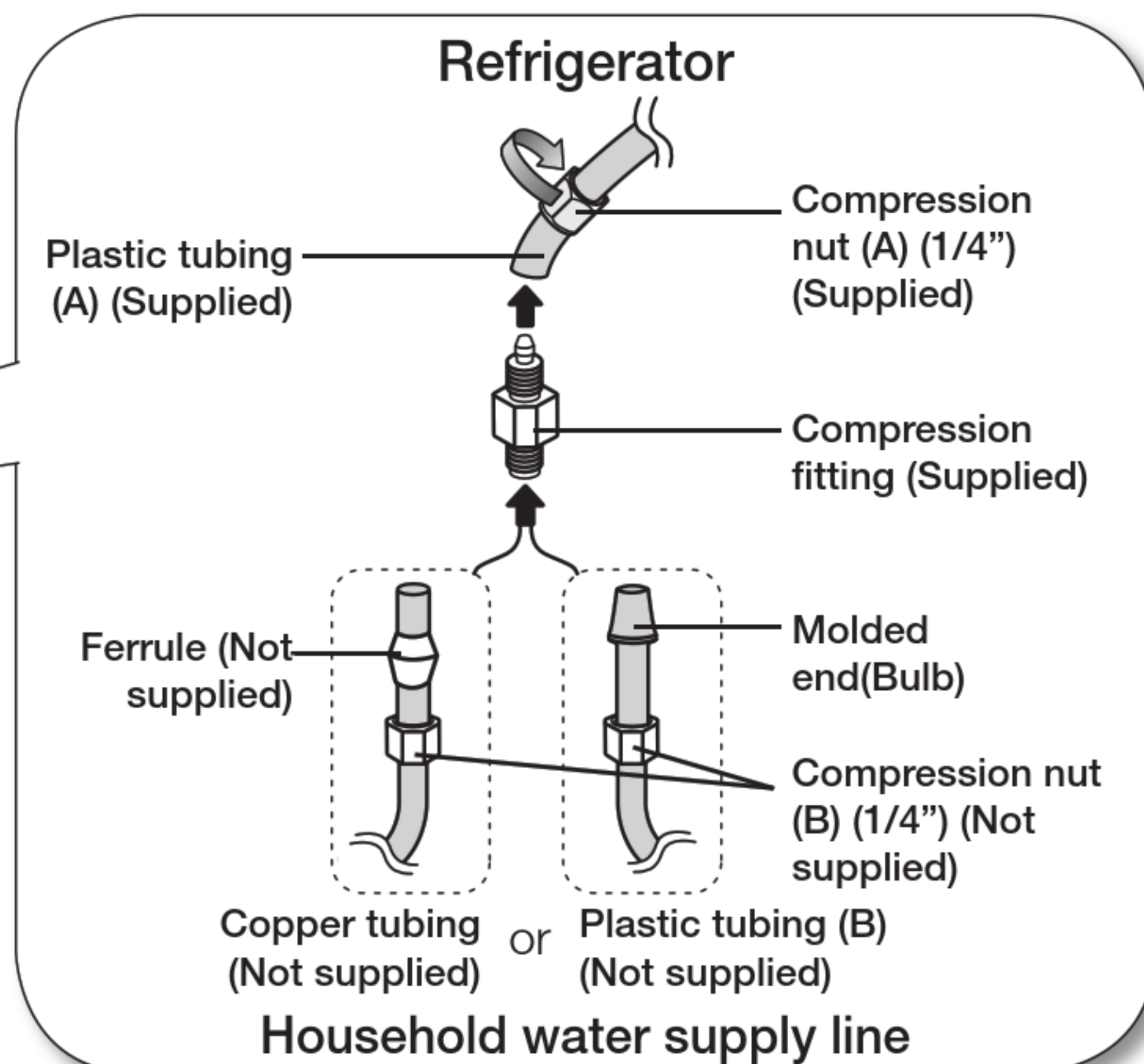
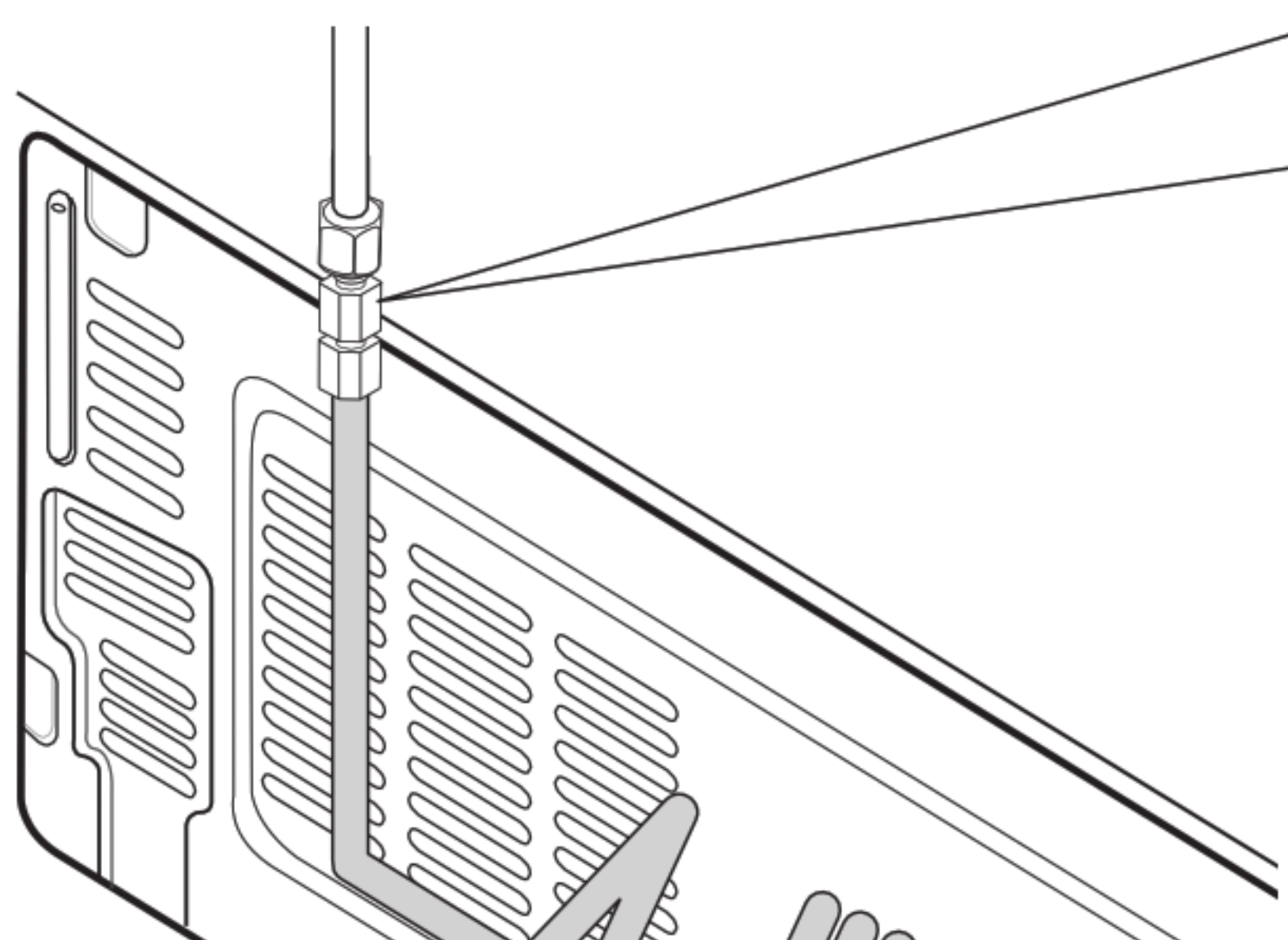
Setting up your French Door Refrigerator

INSTALLING THE WATER LINE

Connecting the water supply line to the refrigerator.

There are several items that you need to purchase to complete this connection. You may find these items sold as a kit at your local hardware store.

Use Copper Tubing	Use Plastic Tubing
<ul style="list-style-type: none"> • 1/4" copper tubing • 1/4" compression nut (2pc) • Ferrule (2pc) 	<ul style="list-style-type: none"> • 1/4" plastic tubing → Molded end(Bulb) • 1/4" compression nut (2pc)



1. Slip the compression nut (**A**) through the supplied plastic tubing (**A**).
2. Tighten the compression nut (**A**) onto the 1/4" compression fitting.
 - If you are using copper tubing, slip the compression nut (**B**) (not supplied) and ferrule (not supplied) on copper tubing (not supplied) as shown.
 - If you are using plastic tubing (**B**), insert the molded end (Bulb) of the plastic tubing (**B**) into the compression fitting.



Do not use without the molded end(Bulb) of the plastic tubing (**B**).

3. Tighten the compression nut (**B**) onto the compression fitting. Do not over-tighten the compression nut (**B**).
4. Turn water on and check for any leakage. If you find water drops or leakage in the connection areas, turn off the main water supply. Check the connections and, if necessary, tighten.
5. Flush 1 gallon of water through the filter before drinking or using the water from the refrigerator. (Flush approximately 6 minutes.) To flush, press a large glass or cup against the water dispenser lever. Fill the glass, empty it into the kitchen sink after it is filled, and then repeat.
6. After you turn on the refrigerator, let the ice maker make ice for 1 to 2 days. Over that period of time, throw out the first 1 or 2 buckets of ice the freezer makes to ensure all impurities have been removed from the water line.



Only connect the water line to a drinkable water source. If you have to repair or disassemble the water line, cut off 1/4" of the plastic tubing to make sure you get a snug, leak-free connection.

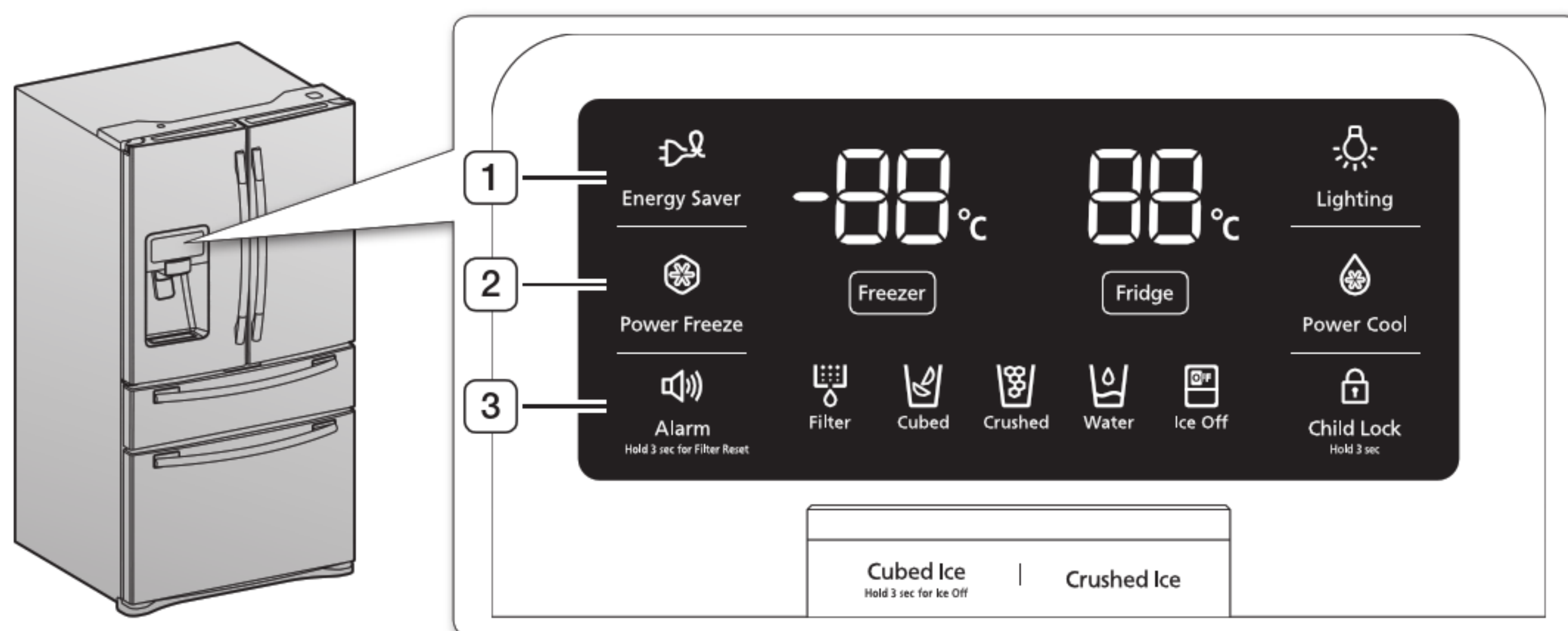
COMPLETING THE SET UP



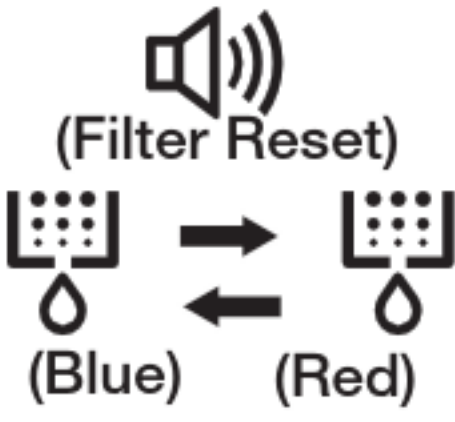

Now that you have your new refrigerator installed in place, you are ready to set up and enjoy the features and functions of the appliance. By completing the following steps, your refrigerator should be fully operational.

- 1.** Make sure your refrigerator is in an appropriate location with reasonable clearance between it and the wall. Refer to installation instructions in this manual.
- 2.** Once the refrigerator is plugged in, make sure the interior light comes on when you open the doors.
- 3.** Set the Temperature control to the coldest temperature and wait for an hour. The freezer will get slightly chilled and the motor will run smoothly. Reset the refrigerator and freezer to the temperatures you want.
- 4.** After you plug the refrigerator in, it will take a few hours to reach the appropriate temperature. You can store food and drinks in the refrigerator after the temperature is sufficiently cool.

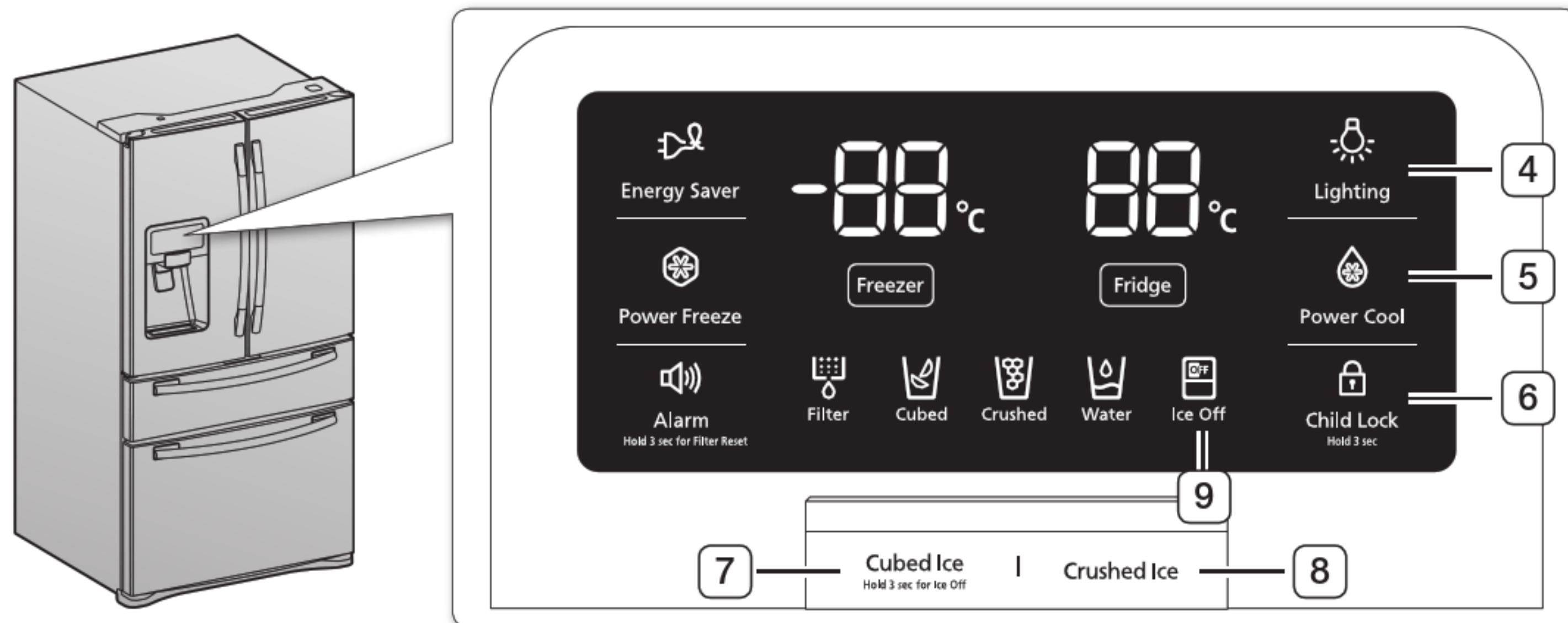
Operating your French Door Refrigerator












USING THE CONTROL PANEL



<p>(1) Energy Saver</p>	<p>Press the Energy Saver button for better energy efficiency. The Energy Saver icon lights up when you press the Energy Saver button. The Energy Saver function is automatically set to “ON” when power is supplied to the refrigerator. If condensation or water drops appear on the doors, turn the Energy Saver mode off.</p>
	
<p>(2) Power Freeze</p>	<p>The Power Freeze function substantially speeds up the freezer compressor, causing the freezer to cool down rapidly to a temperature you choose. When you press the Power Freeze button, the Power Freeze icon lights up.</p>
	<p>Power Freeze is useful if you need to quick freeze an item, to make a large quantity of ice, or to cool the freezer rapidly if it has warmed dramatically (for example, if the door was left open). To turn off Power Freeze, press the Power Freeze button again. Power Freeze turns off automatically after 2 1/2 hours to decrease energy consumption.</p>
<p>(3) Alarm / hold 3 sec for Filter Reset</p>	<p>The Alarm/Hold 3 sec for Filter Reset button serves two purposes:</p> <ul style="list-style-type: none"> - To turn the door open alarm on and off - To reset the water filter life indicator.
	<p>1) Door Alarm Function</p> <p>If the door alarm is set to On, an alarm beeps if any refrigerator door is left open for more than three minutes. The beeping stops when you close the door. The door alarm function is pre-set to On in the factory. You can turn it off by pressing and then releasing the Alarm/Hold button. You can turn it back on in the same fashion. The icon lights up when the function is on.</p> <p>2) Water Filter Life Indicator Function</p> <p>After you replace the water filter, press and hold the Alarm/Hold 3 sec for Filter Reset button to re-set the water filter life indicator. When you re-set the water filter life indicator, the Filter icon on the panel turns blue, green, or yellow. The Filter icon will turn red to let you know it is time to change the water filter after six months (about 300 gallons).</p>
	<p>Some areas have large amounts of lime in their water, which causes the water filter to clog more quickly. If this is the case in your area, you will have to change the filter more frequently than every six months.</p>

Operating your French Door Refrigerator



<p>(4) Lighting</p> 	<p>Pressing the Lighting button turns on the Dispenser LED lamp (under the display) in continuous mode so that it stays on continuously. The button also lights up. If you want the Dispenser lamp to come on only when some one uses the dispenser, press the Lighting button to turn the continuous mode off.</p>
<p>(5) Power Cool</p>  	<p>The Power Cool function substantially speeds up the refrigerator compressor, causing the refrigerator to cool down rapidly to a temperature you choose. When you press the Power Cool button, the Power Cool icon lights up.</p> <p>Power Cool is useful if you need to quickly cool items or need to cool the refrigerator rapidly if it has warmed dramatically (for example, if the door was left open).</p> <p>To turn off Power Cool, press the Power Cool button again. Power Cool turns off automatically after 2 1/2 hours to decrease energy consumption.</p> <p>When you turn on Power Cool, the refrigerator's compressor speeds up and is louder than during normal operation.</p>
<p>(6) Child Lock (Hold 3 sec)</p> 	<p>Pressing the Child Lock button locks the Display panel and Dispenser buttons so the buttons can not be used. The Child Lock icon lights up to indicate you've activated the Child Lock function.</p> <p>To cancel the Child Lock function, press the Child Lock button again.</p> <p> If you suddenly can not use the Control Panel, check whether the Child Lock function is on.</p>
<p>(7) Cubed Ice (8) Crushed Ice</p>   <p>(Cubed) (Crushed)</p>	<p>Press the Cubed Ice or Crushed Ice button to select the type of ice you want dispensed. Each time you press the button, the cubed and crushed ice modes alternate and the Cubed or Crushed ice icon lights up, indicating your selection.</p> <p>If you don't need ice, turn the function off to save on water and energy consumption (See Ice Off below).</p>
<p>(9) Ice Off</p>  <p>(7) Hold 3 sec</p>	<p>Press the Cubed Ice (7) button 3 seconds, if you don't want to make more ice. The icon will light up and the Ice-Maker stops making ice.</p> <p> We recommend you stop ice making if the following occur:</p> <ul style="list-style-type: none"> - There is enough ice in the ice bucket. - You want to save water and energy. - Water is not being supplied to the refrigerator. <p> If the ice maker function is ON, and the water line is not connected, there will be a water valve noise from back of the unit. Press the Cubed Ice (7) button until the Ice Off indicator () illuminates.</p>

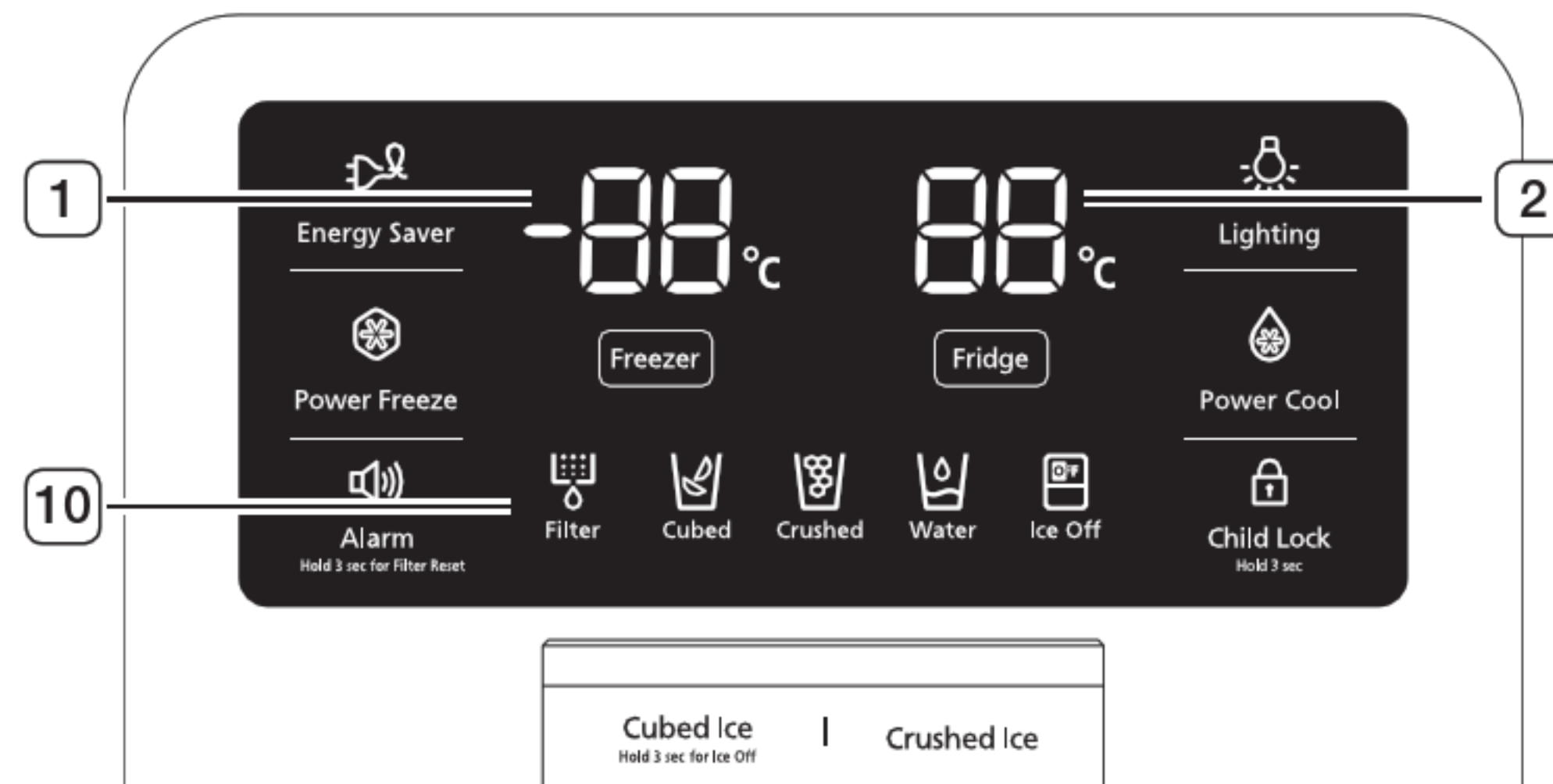
USING THE CONTROL PANEL

Freezer Temp (**1**) indicates the current freezer temperature.

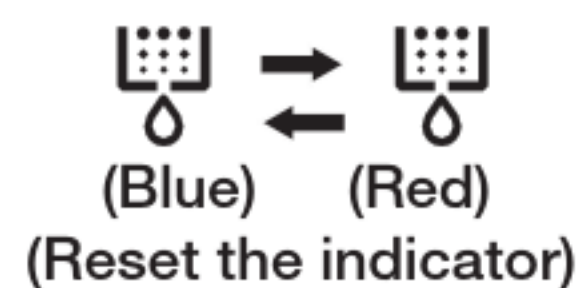
Fridge Temp (**2**) indicates the current refrigerator temperature.

If you do not press any button, the freezer and fridge temperature indicator turn off in a few seconds.

If you press any button, the display lights up again.



(10) Filter



Water filter usage

1. Normally the filter indicator is blue, yellow, or green when you purchase or install your refrigerator, depending on your model.
 2. After you use about 270 gallons of water, the filter indicator turns Light Pink. (about 5 months)
 3. After you use about 300 gallons of water, the filter indicator turns Red. (about 6 months)
 4. Remove the old water filter and install a new one when the filter indicator is red. Reset the filter indicator by pressing Alarm/Hold 3 sec for Filter Reset button for 3sec. The filter indicator turns blue, yellow, or green when you reset the indicator.
- If water is not dispensing or dispensing slowly, you need to replace the water filter because the water filter is clogged.
 - Some areas have large amounts of lime in their water, which causes the water filter to clog more quickly.

CHANGING THE WATER FILTER



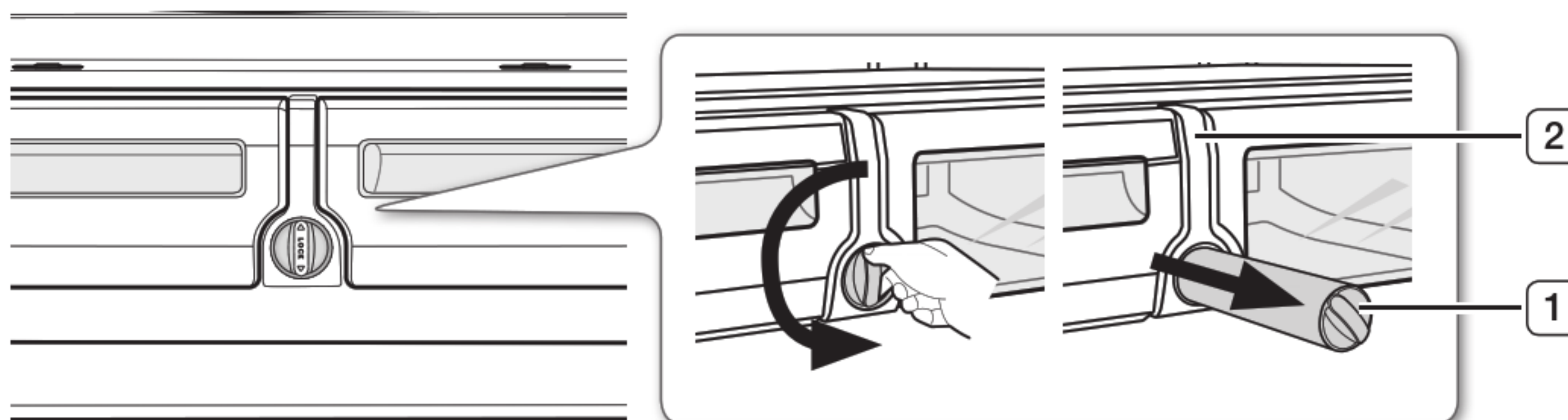
WARNING

To reduce risk of water damage to your property **DO NOT** use generic brands of water filters in your SAMSUNG Refrigerator. **USE ONLY SAMSUNG BRAND WATER FILTER.** SAMSUNG will not be legally responsible for any damage, including, but not limited to property damage caused by water leakage from use of a generic water filter. SAMSUNG Refrigerators are designed to work **ONLY WITH SAMSUNG Water Filter.**

The Filter light turns red to let you know when it is time to change your water filter cartridge. To give you time to get a new filter, the red light comes on just before the capacity of the current filter runs out.

Changing the filter on time provides you with the freshest, cleanest water from your refrigerator.

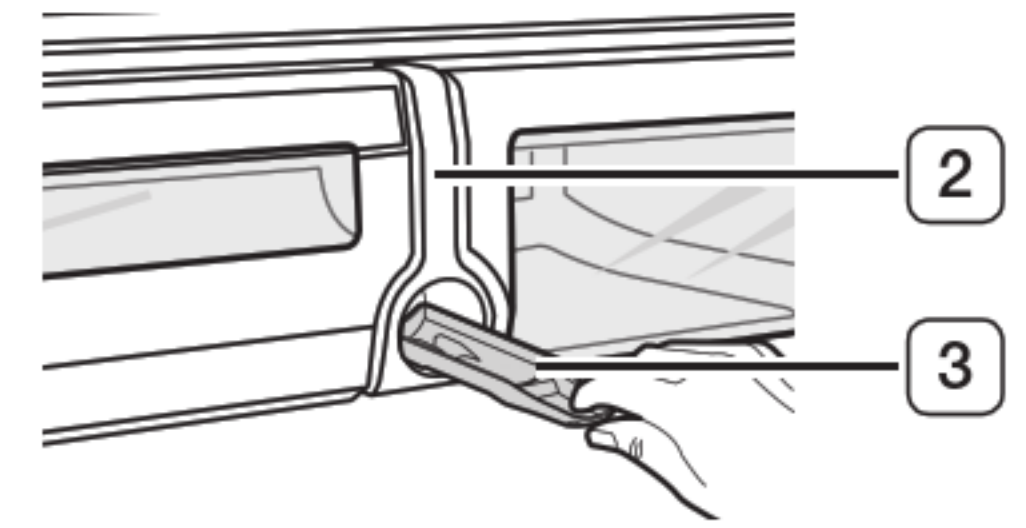
1. Shut off the water supply. Then, turn the water filter (**1**) about 1/4 turn, counter-clockwise.
2. Pull the water filter (**1**) from the case filter (**2**).



- To change the water filter more easily, shut off the water supply valve.
- Sometimes, it is hard to disassemble the water filter because impurities in the water cause it to stick. If you are having difficulties, grip the water filter firmly and pull it hard.

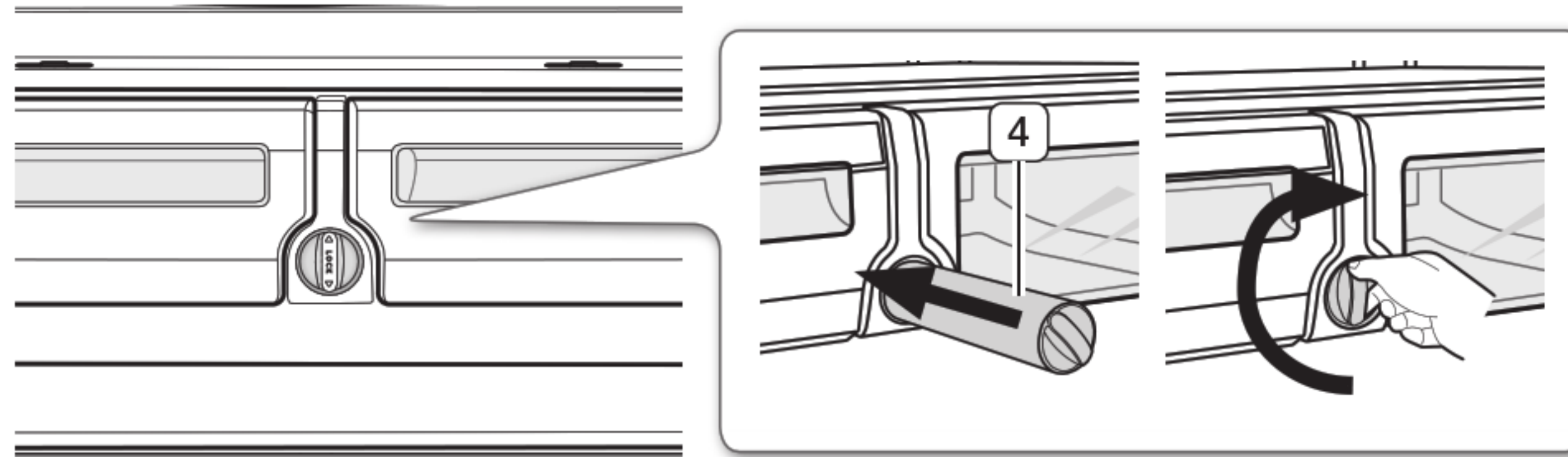




- When you pull the water filter, a little water can leak from the opening. This is normal. To minimize the water leaks, keep the filter cartridge horizontal when you pull it.
- To prevent overflow, empty the water tray filter (**3**) and dry around of case filter (**2**).

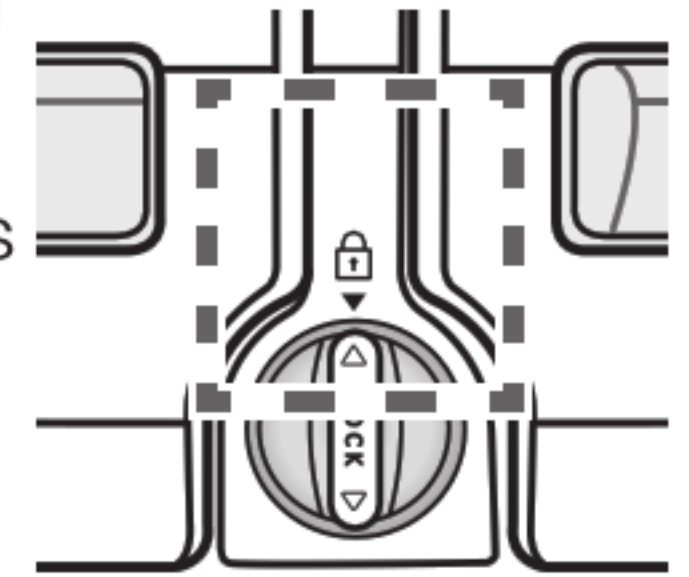


3. Insert the new filter into the filter case (**4**)
4. Push the filter, and then turn it clockwise until it locks.

- If you are in trouble of inserting the water filter as high pressure of water, shut off the water supply valve.
- The locked symbol should be lined up with the indicator line.



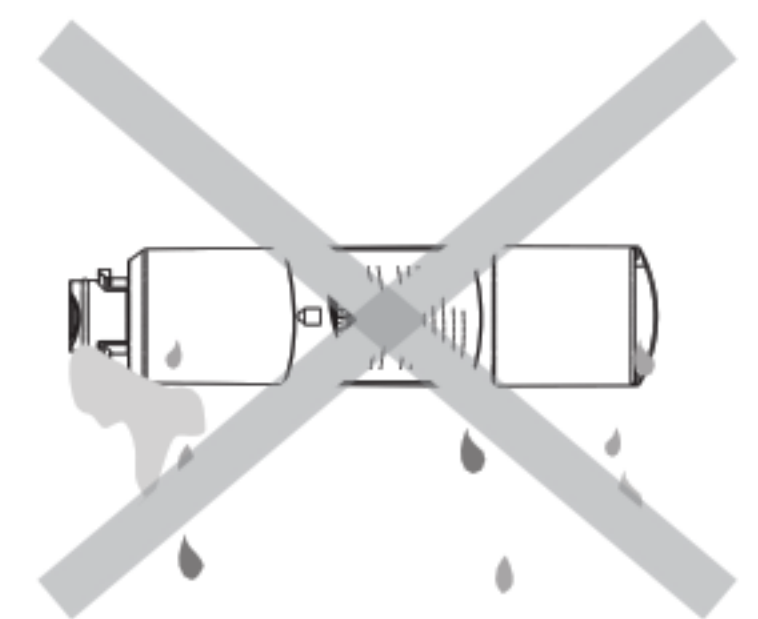
5. press the "**Alarm/hold 3 sec for Filter Reset**" button () for about 3 seconds to reset the water filter. The color of indicator () changes from red to blue, green, or yellow.
6. If you turned off the water supply, turn it back on.



- For a replacement water filter, you can visit your local home Improvement center or contact the Samsung Parts distributor.
Be sure the replacement water filter has the SAMSUNG logo on the box and on the water filter.
Link : <http://www.samsungparts.com>

Removing any residual matter inside the water supply line after installing the water filter.

1. Turn ON the main water supply and supply water from water supply line.
2. Run water through the dispenser until the water runs clear (approx. 6 to 7 minutes).
This will clean the water supply system and remove air from the lines.
3. Additional flushing may be required in some households.
4. Open the Refrigerator door and make sure there are no water leaks coming from the water filter.



- Be sure to flush the dispenser thoroughly, otherwise water may drip from the dispenser.
This means that there is still air in the line.

Reverse Osmosis Water Supply

IMPORTANT : The pressure of the water supply coming out of a reverse osmosis system going to the water inlet valve of the refrigerator needs to be between 35 and 120 psi (241 and 827 kPa).

If a reverse osmosis water filtration system is connected to your cold water supply, the water pressure to the reverse osmosis system needs to be a minimum of 40 to 60 psi (276 to 414 kPa.)

If the water pressure to the reverse osmosis system is less than 40 to 60 psi (276 to 414 kPa):

- Check to see whether the sediment filter in the reverse osmosis system is blocked. Replace the filter if necessary.
- Allow the storage tank on the reverse osmosis system to refill after heavy usage.
- If your refrigerator has a water filter, it may further reduce the water pressure when used in conjunction with a reverse osmosis system. Remove the water filter.

If you have questions about your water pressure, call a licensed, qualified plumber.

Operating your French Door Refrigerator

CONTROLLING THE TEMPERATURE

Basic temperature of Freezer and Refrigerator Compartments

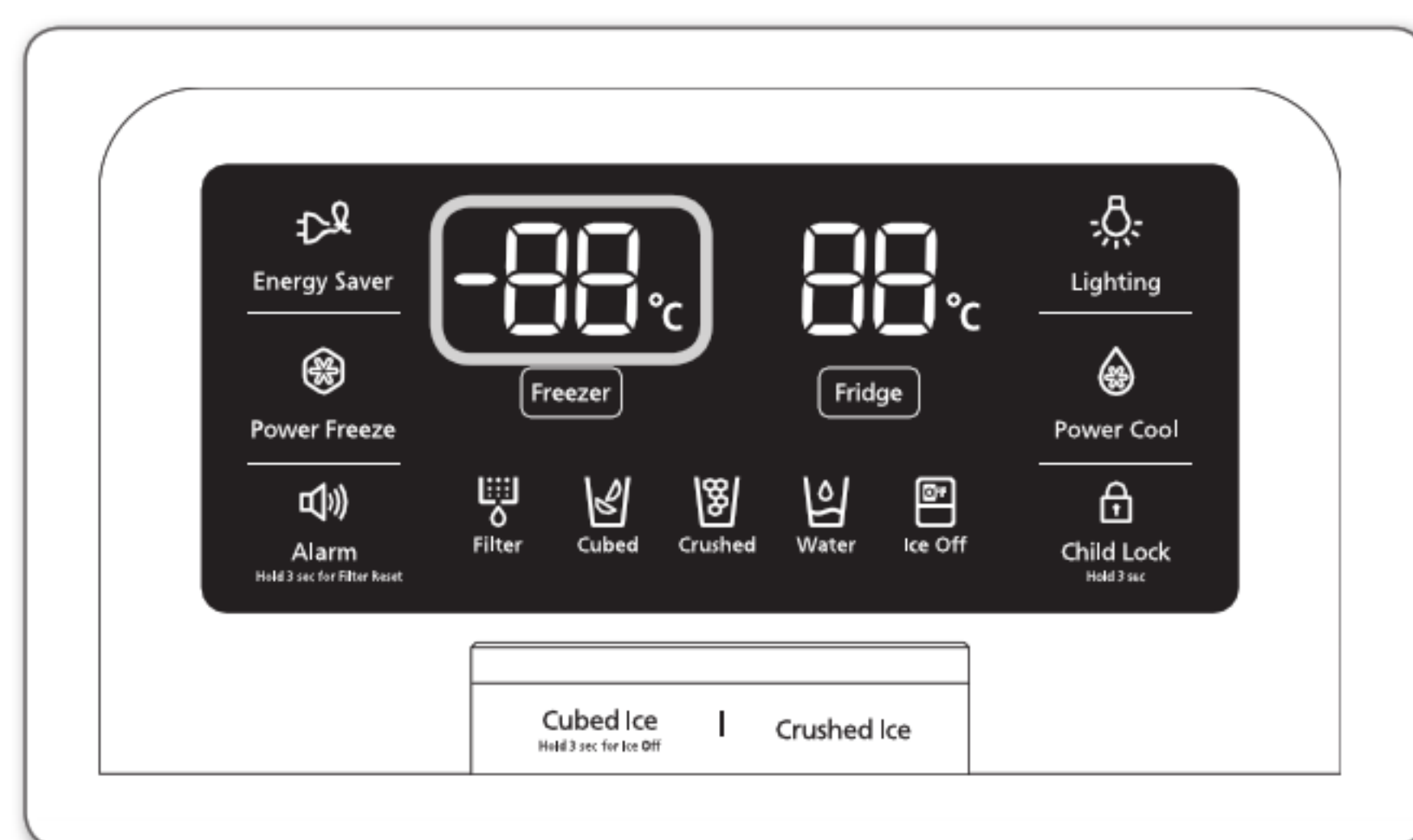
The basic temperature and/or recommended temperatures of the Freezer and Refrigerator Compartments are -19°C and 3°C respectively.

If the temperature of Freezer and Refrigerator Compartments are too high or low, adjust the temperature manually.

Controlling the Freezer temperature

The Freezer temperature can be set between -22°C and -14°C to suit your particular needs. Press the Freezer button repeatedly until the desired temperature is shown in the temperature display. The temperature will move 1°C degrees with each press ($-19^{\circ}\text{C} \rightarrow -20^{\circ}\text{C} \rightarrow -21^{\circ}\text{C} \rightarrow -22^{\circ}\text{C} \rightarrow -14^{\circ}\text{C} \rightarrow -15^{\circ}\text{C} \rightarrow -16^{\circ}\text{C} \rightarrow -17^{\circ}\text{C} \rightarrow -18^{\circ}\text{C} \rightarrow -19^{\circ}\text{C}$).

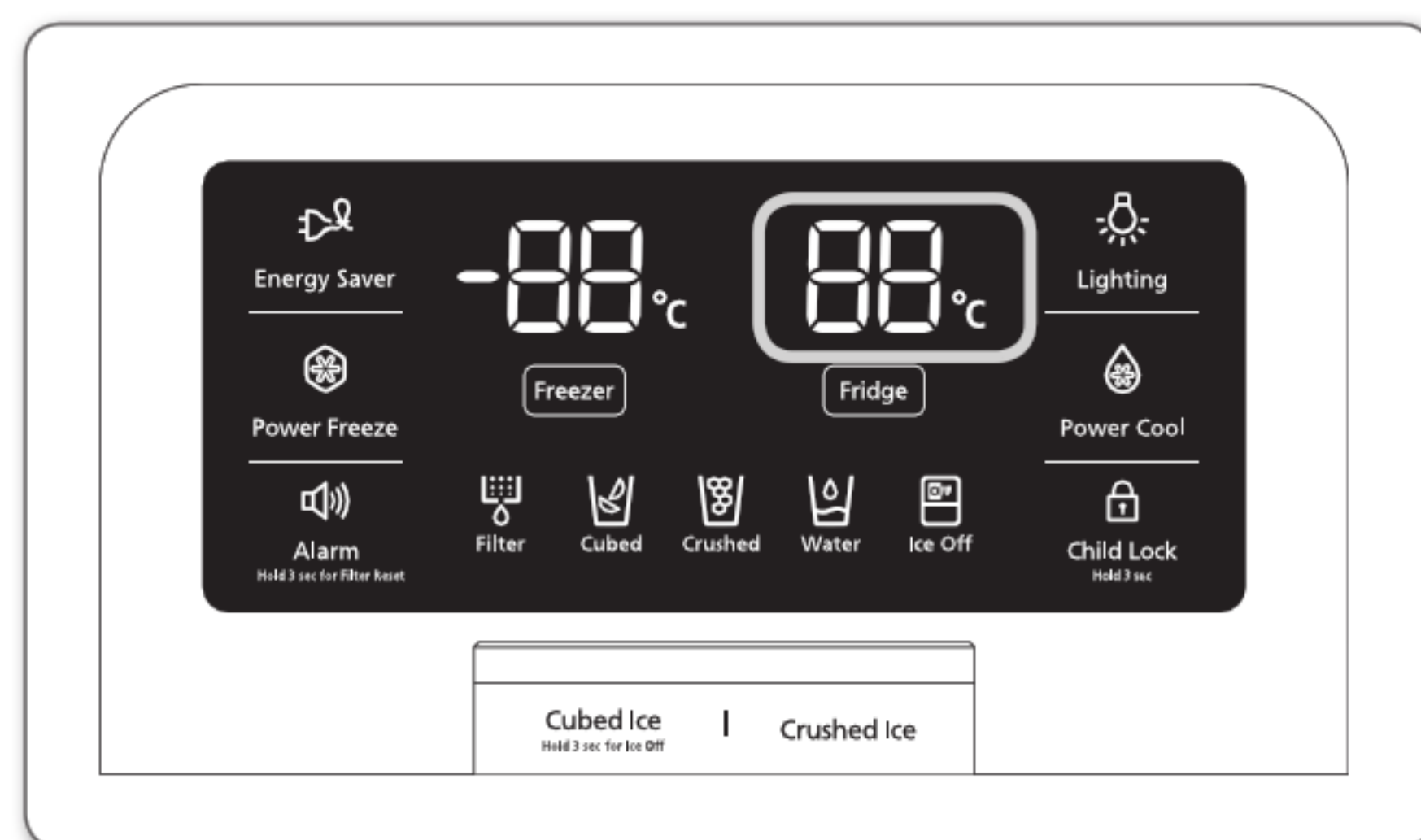
Keep in mind that foods like ice cream may melt at 0°C . The temperature display will move sequentially from -22°C to -14°C . Five seconds after the new temperature is set, the display will show the actual current freezer temperature until the new temperature is reached.



Recommend Temp (Freezer) : -19°C

Controlling the fridge temperature

The fridge temperature can be set between 7°C and 1°C to suit your particular needs. Press the Fridge button repeatedly until the desired temperature is shown in the temperature display. The temperature will move 1°C degrees with each press ($3^{\circ}\text{C} \rightarrow 2^{\circ}\text{C} \rightarrow 1^{\circ}\text{C} \rightarrow 7^{\circ}\text{C} \rightarrow 6^{\circ}\text{C} \rightarrow 5^{\circ}\text{C} \rightarrow 4^{\circ}\text{C} \rightarrow 3^{\circ}\text{C}$). The temperature control process for the Fridge works just like the Freezer process. Press the Fridge button to set your desired temperature. After a few seconds, the Fridge will begin adjusting towards the newly set temperature. This will be reflected in the digital display.



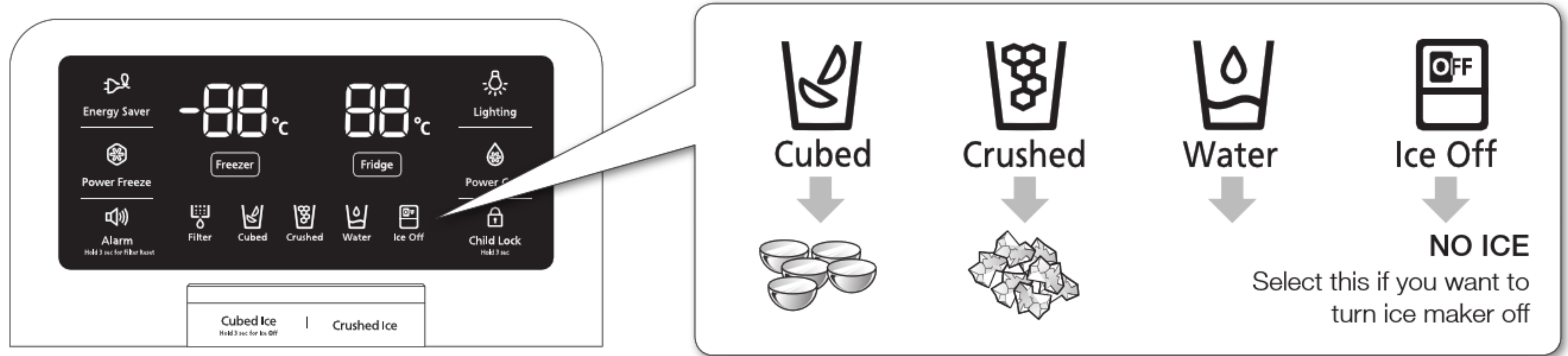
Recommend Temp (Fridge) : 3°C



- The temperature of the Freezer, fridge or Convertible Room may rise when you open the doors too frequently, or if a large amount of warm or hot food is placed inside.
- This may cause the digital display to blink. Once the Freezer and fridge temperature return to their normal set temperatures, the blinking will stop.
- If the blinking continues, you may need to “reset” the Refrigerator. Try unplugging the appliance, wait for around 10 minutes and then plug the power cord back in.
- If there is an communication error between the Display and Main Controller, the Convertible Display light may blink. Once the normal set temperatures are reached, the blinking will stop. If the blinking continues for a long period of time, please contact a Samsung Electronics Service Center.

USING THE TWO LEVER DISPENSER

Push the appropriate ice type button to select what you want dispensed.



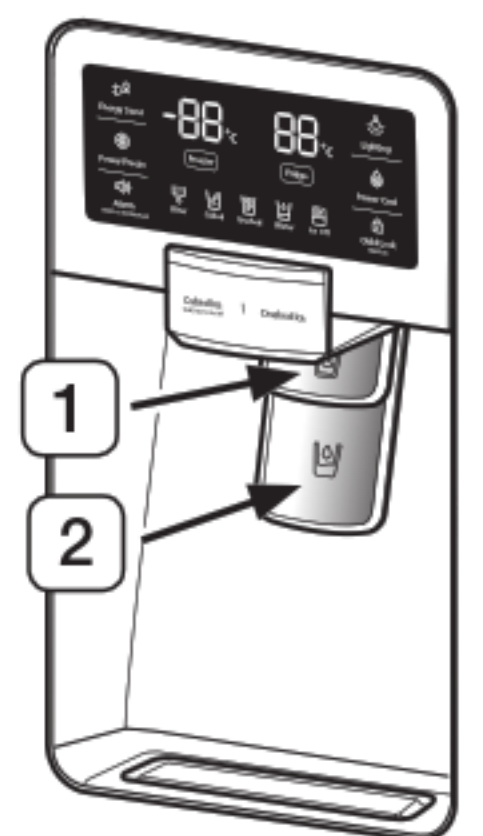
Using the ice lever (1)

Push the Ice lever dispenser (**1**) gently with your glass. Ice will be released from the dispenser.

You can choose the type of ice by pushing the cubed or crushed button first.

Using the Water lever (2)

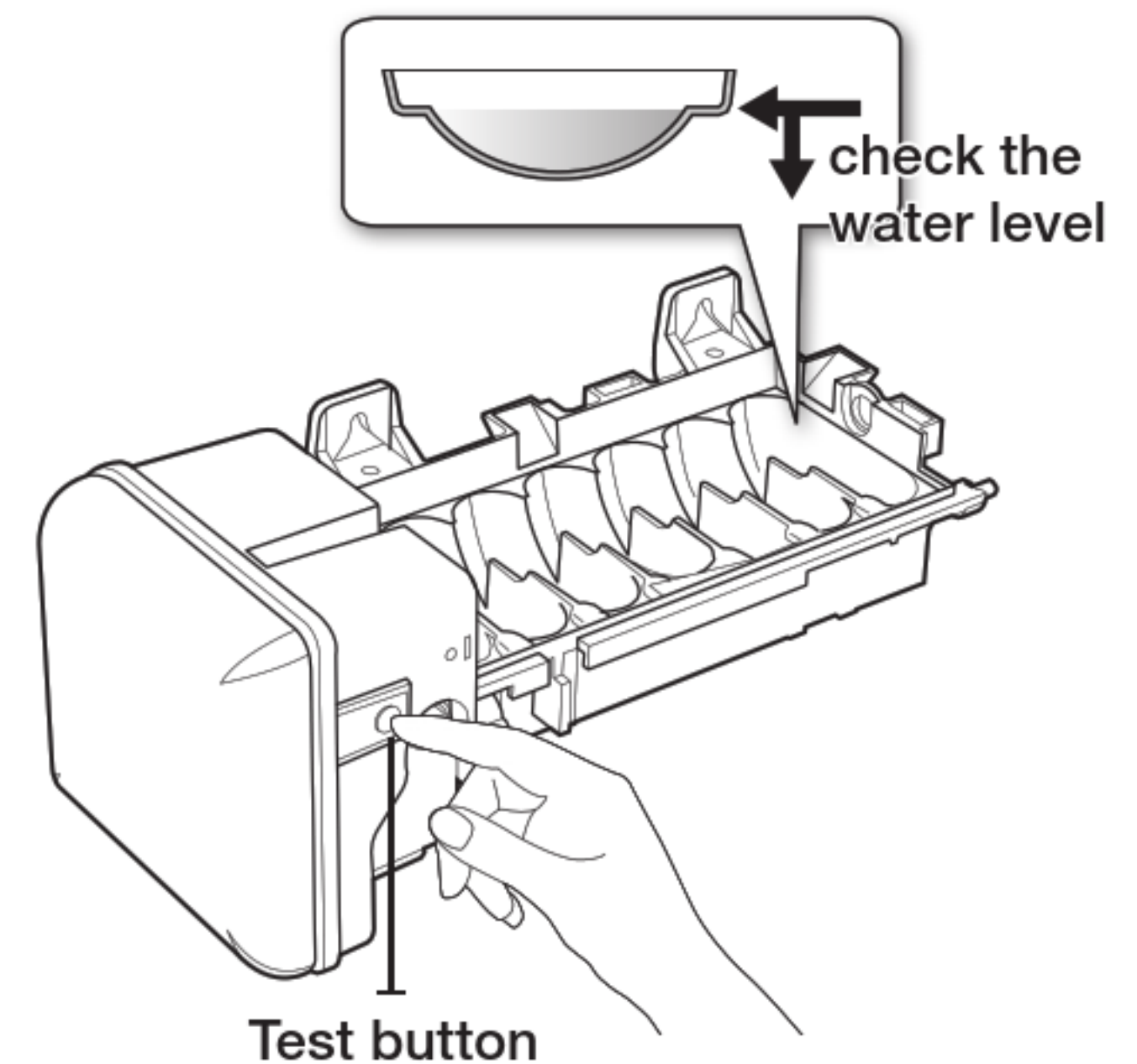
Push the Water lever dispenser (**2**) gently with your glass. Water will be released from the dispenser.



Even if you push the water and Ice lever simultaneously, the dispenser operates only the option you selected or pushed first.

Using the Ice & Water Dispenser together

To get Ice and water, push the Ice lever (**1**) first for ice, then move your glass down and press the water dispenser lever (**2**) for water.



Do not pull the lever out. You could damage or break the lever's spring.



- To clean the ice bin/bucket, wash with a mild detergent, rinse well, and dry thoroughly it. Do not use harsh or abrasive cleaners or solvents.
- When you select Cubed Ice after using the Crushed Ice mode, a small amount of residual crushed ice might be produced.
- In case ice doesn't come out, pull out the ice bucket and press the test button located on the right side of ice maker.
- Do not press the test button continuously when the tray is filled with ice or water. Water may overflow or ice may jam the bucket.
- Normal Use

To fill the ice bucket to maximum capacity after installation, follow these steps:

1. Allow your refrigerator to operate and cool down for 24 hours (or 1 full day).
 - Waiting 24 hours will allow your ice maker to cool properly.
2. Dispense 4 to 6 ice cubes into the glass.
3. After 8, and then 16 hours, dispense a full glass of ice.



- When you press the Test button, you will hear the refrigerator chime (ding-dong). When the chime sounds, release the Test button.
- The chime sounds automatically again to let you know the ice maker is working well.

Operating your French Door Refrigerator



If a power failure occurs, ice cubes may melt then freeze together when the power comes back on, causing the dispenser to be out of order.

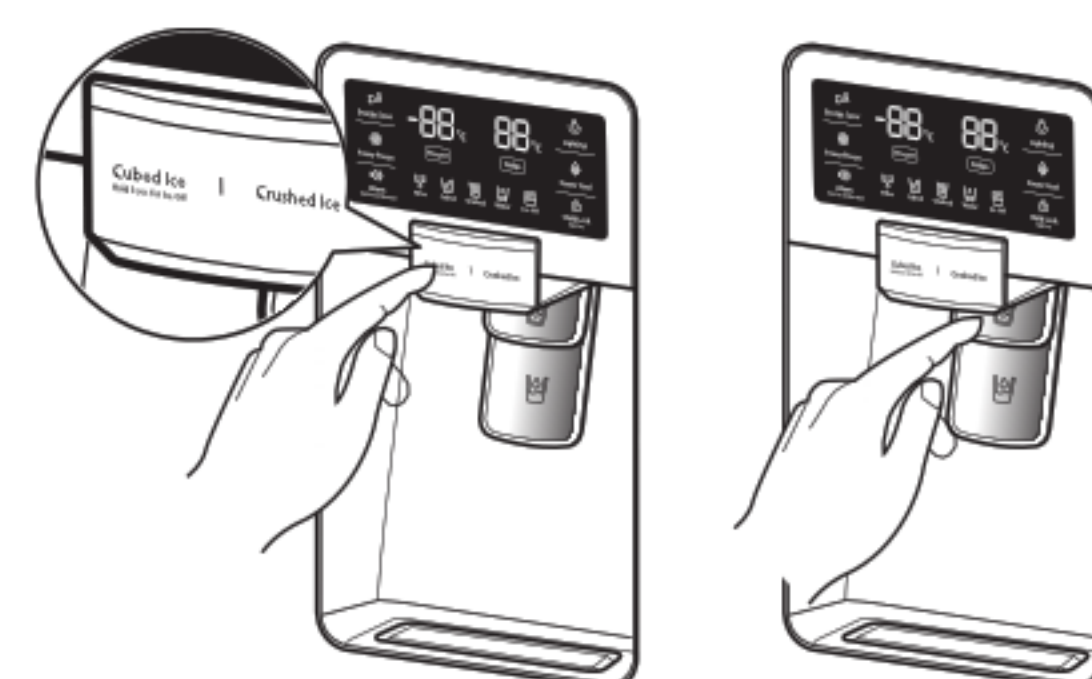
To prevent this problem, after a power failure, pull out the ice bucket and discard the residual ice or water.



After you dump the ice from the ice bucket, you should press the dispenser lever once with the 'ICE CUBED' or 'CRUSHED' function ON. The ice maker will make new ice faster after you return the ice bucket in the refrigerator.

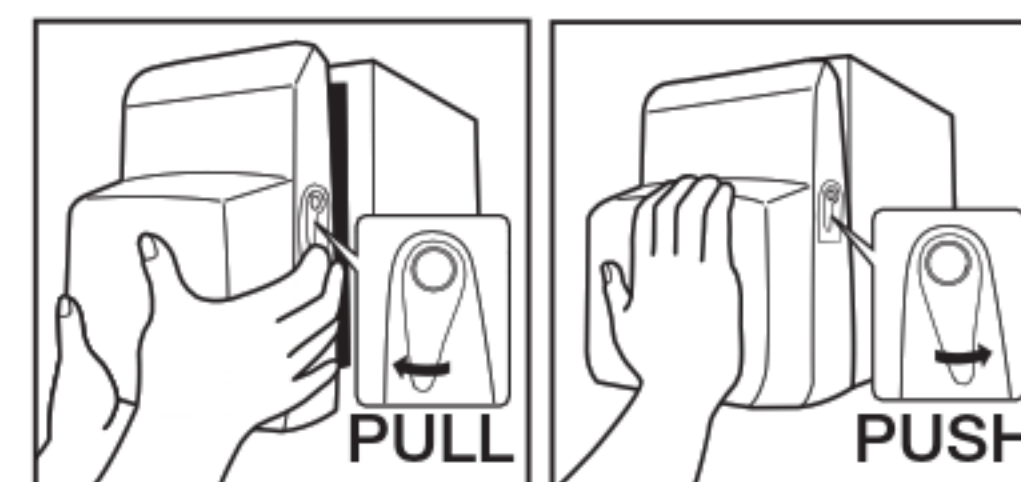


If you use all the ice at once, you must repeat Steps 2 and 3 on the previous page. However, only wait 8 hours before dispensing the first 4 to 6 ice cubes. This will replenish the ice cubes and ensure maximum ice production.



Using the ice off Function

When you select the Ice Off mode, remove all ice cubes from the bucket. If you are not using the ice dispenser, the ice cubes may clump together. Pull the lock lever forward to remove the bucket. Throw away the ice cubes or clumped ice. Push the bucket back until you hear a click.



Use only the ice maker provided with the refrigerator. The water supply to this refrigerator must only be installed/connected by a suitably qualified person. Connect to a potable water supply only.

To operate the ice maker properly, water pressure of 138 ~ 862Kpa is required.

If you have a long vacation or business trip and won't use the water or ice dispensers for a long time:

- Close the water valve. Otherwise, water leakage may occur.
- Remove all food.
- Unplug the refrigerator.
- Wipe excess moisture from inside and leave the doors open. Otherwise, odor and mold may develop.

Do not put your fingers, hands or any other unsuitable objects in the chute or ice-maker bucket.

- It may result in personal injury or material damage.

Never put your finger or any other objects in the dispenser opening.

- It may cause injury.

Do not try to disassemble the ice maker.

Do not wash or spray the ice bucket with water while it is in the refrigerator. Remove it to clean it.

Water clouding phenomenon



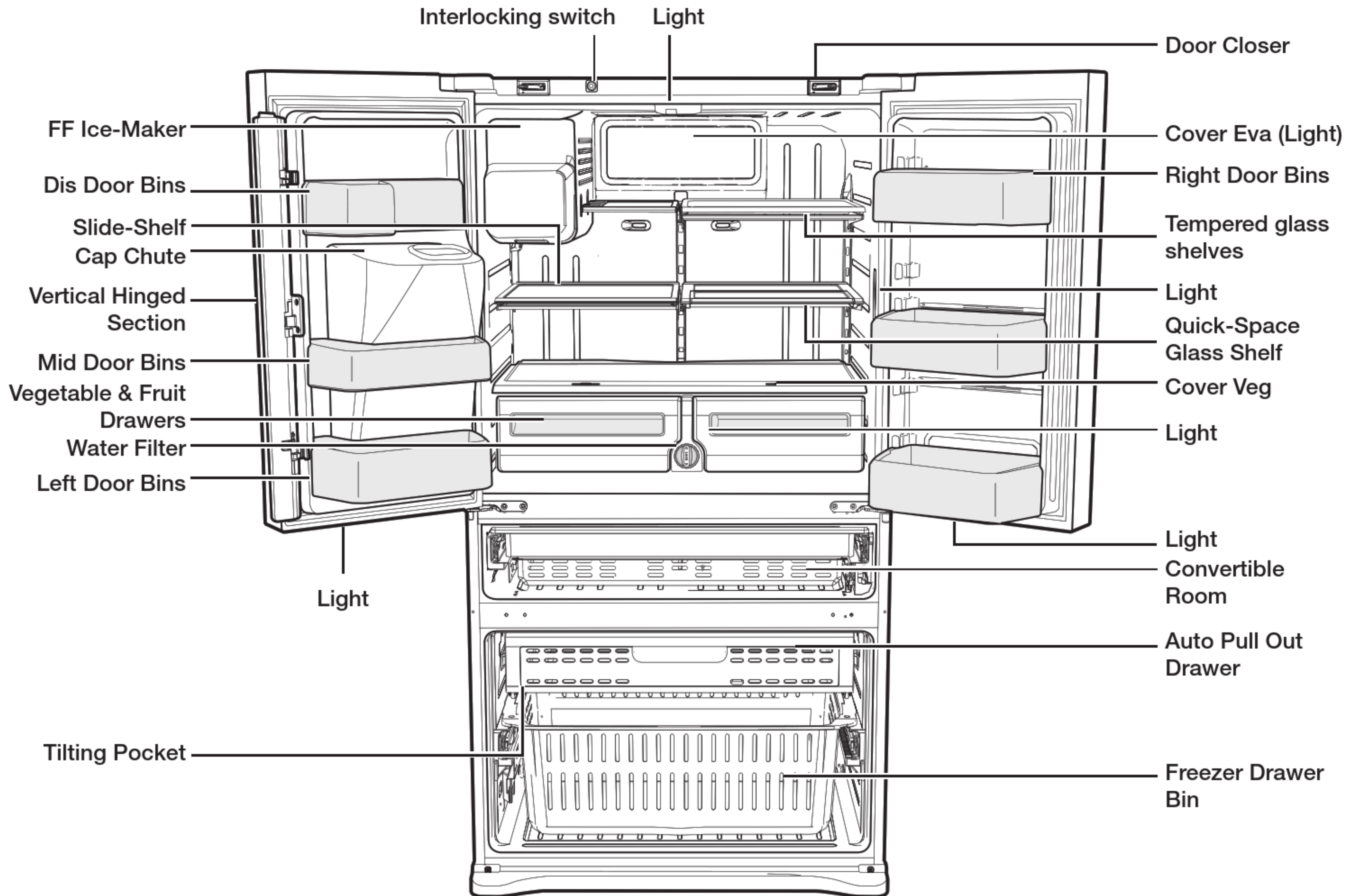
All water provided to the refrigerator flows through the core filter which is an alkaline water filter. In the filtering process, the pressure of the water that has flowed out of the filter is increased, and the water becomes saturated with oxygen and nitrogen. When this water flows out into the air, the pressure plummets and the oxygen and nitrogen get supersaturated, which results in gas bubbles. The water may temporarily look misty or cloudy due to these oxygen bubbles. After a few seconds, the water will look clear.



Please wait 1 second before removing the cup after dispensing water to prevent spills. Do not pull out the lever dispenser after dispensing ice or water. It comes back automatically. Ice is made in cubes. When you select "Crushed", the ice maker grinds the ice cubes into crushed ice.

PARTS AND FEATURES

Use this page to become more familiar with the parts and features of the refrigerator.



When closing the door, make sure the Vertical Hinged Section is in the correct position to avoid scratching the other door.

If the Vertical Hinged Section is reversed, put it back to the right position and close the door.

Moisture may appear at times on the Vertical Hinged Section.

The door handle may become loose over time. If this happens, tighten the bolts found on the inside of the door.

If you close one door with a lot of force, the other door may open.








When the door opens, the interlock switch automatically turns off the auger motor in the ice maker for safety reasons.




When the interior or exterior LED lamp has gone out, please contact your service agents.


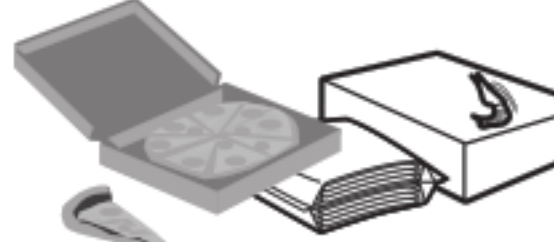

STORING FOOD IN THE REFRIGERATOR


Your Samsung Refrigerator has been designed to provide you with maximum space saving features and functions. Here are some of the customized compartments we have created to keep your food fresher longer. To more thoroughly prevent odor from seeping into the ice compartment, wrap stored food securely and make food containers as airtight as possible.


(1) DAIRY COMPARTMENT	Use to store small dairy items like butter or margarine, yogurt or cream cheese bricks.	
(2) DOOR BINS	Designed to handle large, bulky items such as gallons of milk or other large bottles and containers.	
(3) TEMPERED GLASS SHELVES	Designed to be crack-resistant, the shelves can be used to store all types of food and drinks. Circular marks on the glass surface are a normal phenomenon and can usually be wiped clean with a damp cloth.	
(4) VEGETABLE & FRUIT DRAWERS	Used to preserve the freshness of your stored vegetables and fruits. These drawers can control the level of humidity for items that must retain moisture. Keep vegetables and fruit separate when possible.	
(5) COOL SELECT CONVERTIBLE PLUS	Can be used for large party trays, deli items, pizzas, beverages or miscellaneous items.	

 Do not place any large articles of food under the lamp in the fridge. An air sensor is located near the lamp and if the sensor is blocked, your fridge may become too cold. Please place vegetable and fruit in the vegetable and fruit drawers to avoid freezing them. If the food in your fridge becomes frozen, please set the temperature higher.

STORING FOOD IN THE FREEZER DRAWER

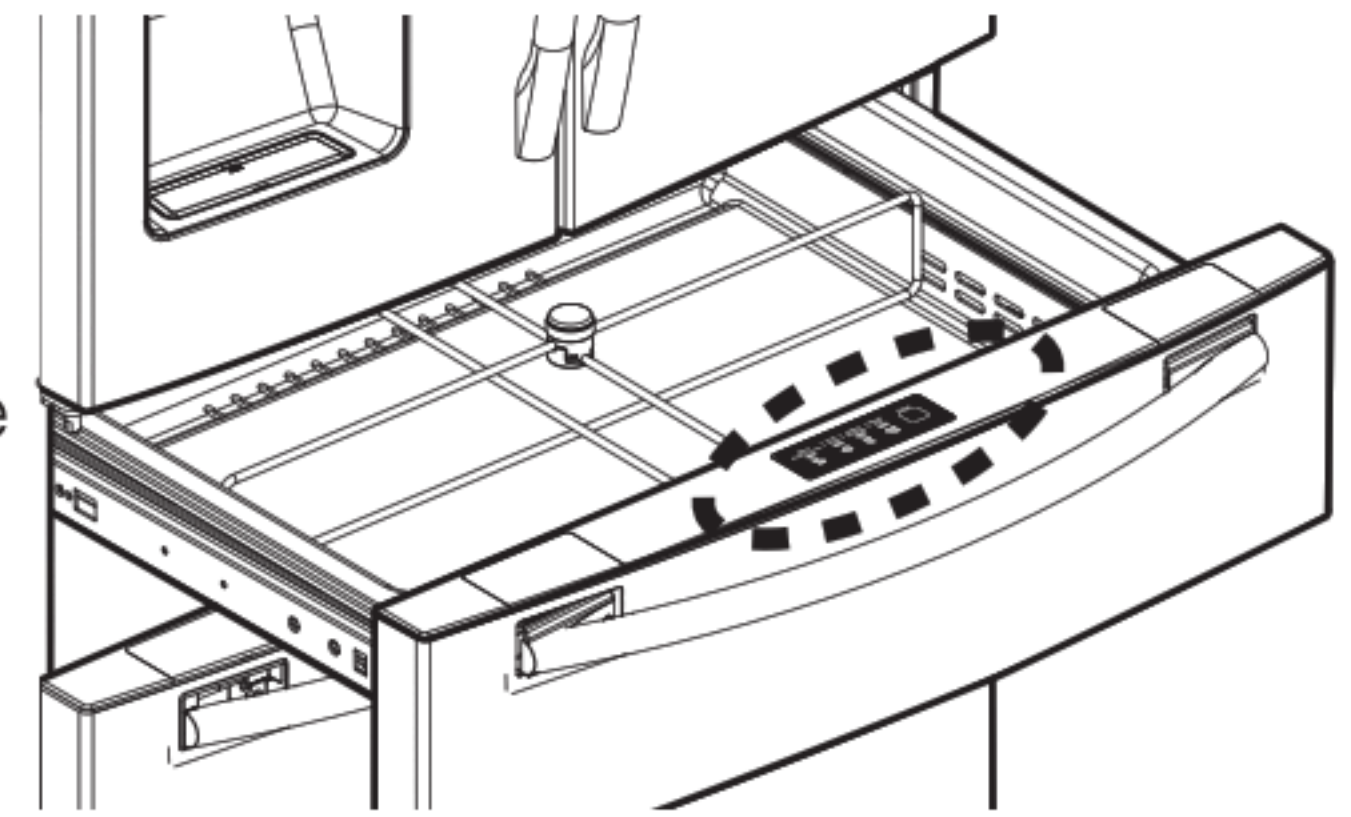
(6) AUTO PULL OUT & SUPER EXTENDED DRAWER	Best used to store meats or dry foods. Stored food should be placed in a container or wrapped securely using foil or other suitable wrapping materials.	
(7) TILTING POCKET	Use for small packages of frozen food. You can store a 16" pizza.	
(8) FREEZER DRAWER BIN	Use to store meat and dry foods. Stored food should be placed in a container or wrapped securely using foil or other suitable wrapping materials.	

 Bottles should be stored tightly together so that they do not tip and fall out when the fridge door is opened.

 If you plan to go away for a long time, empty the fridge and turn it off. Wipe the excess moisture from the inside of the appliance and leave the doors open.

USING FLEX ZONE

The Flex Zone is a full-width drawer with an adjustable temperature control. You can use the Flex Zone for large party trays, deli items, wines, pizzas, beverages, or miscellaneous items. There is a temperature sensor which lets you adjust the amount of cold air allowed into the Zone. The control buttons are located on the cap door center.



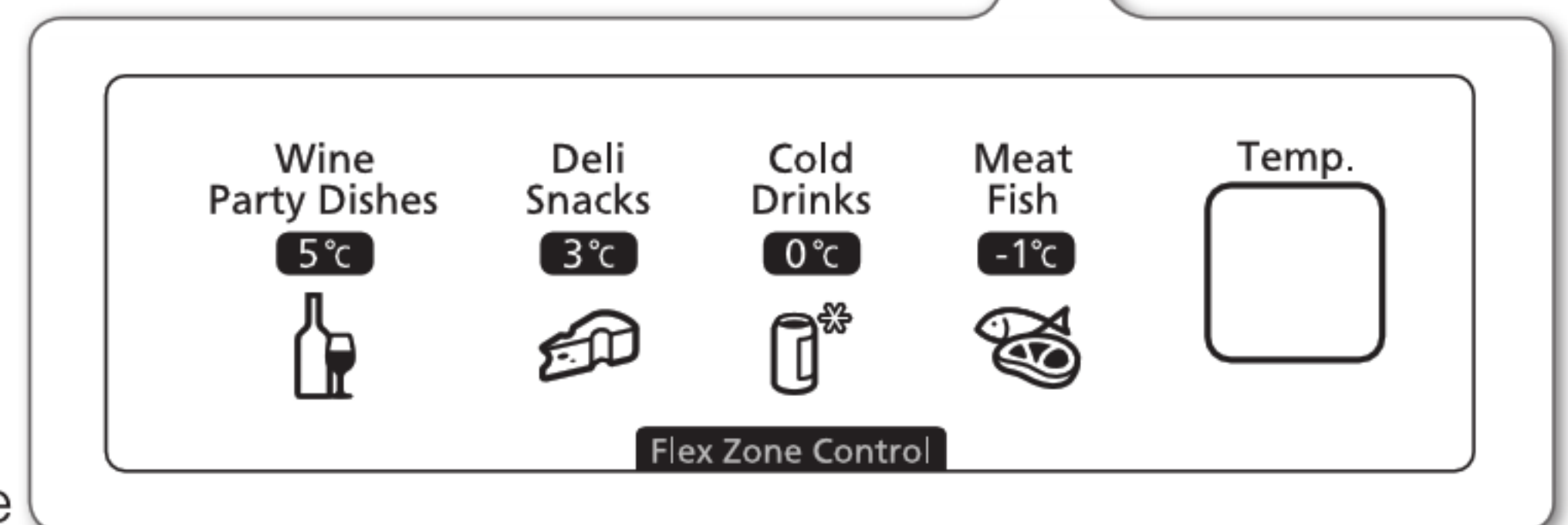
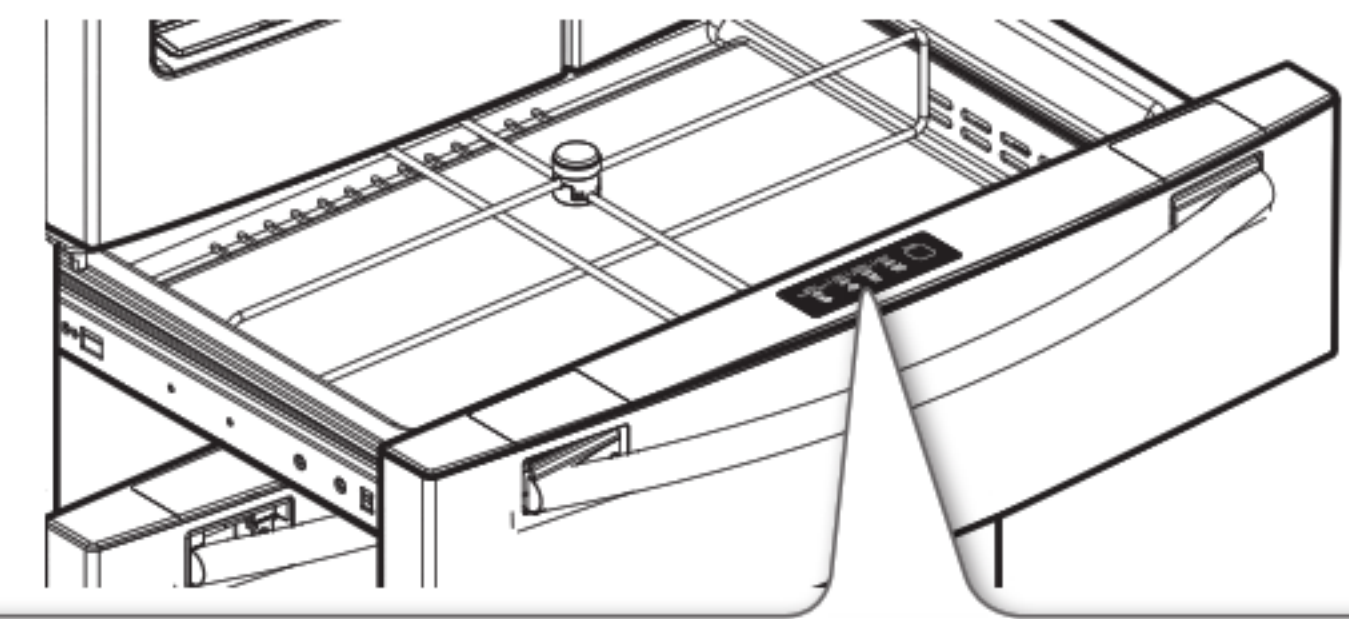
- Press the Temp button repeatedly until your desired mode is lit.
- Each time you press the Temp button, you change the mode in this order: Meat/Fish mode (-1°C), Cold Drinks mode (1°C), Deli/Snack (3°C), Wine/Party Dishes (5°C) mode. Initially, the Cold Drinks mode is selected. The refrigerator will adjust the temperature in the Flex Zone automatically to the temperature you selected.
- The Flex Zone Temp. Display may change depending on the number of items inside, where they are located, the ambient temperature, and how often the door is opened.

Temperature

You can select your Flex Zone temperature from Meat/Fish mode (-1°C), Cold Drinks mode (1°C), Deli/Snack (3°C), or Wine/Party Dishes (5°C) mode.

Selection Button

1. When **“Wine/Party Dishes”** is selected, the temperature of Flex Zone will be kept around 5°C. This feature helps keep food fresh for a long time.
2. When **“Deli/Snack”** is selected, the temperature of Flex Zone will be kept around 3°C. This feature helps keep food fresh for a longer time.
3. When **“Cold Drink”** is selected, the temperature of Flex Zone will be kept around 1°C. This feature also helps keep drinks cold and refreshing.
4. When **“Meat/Fish”** is selected, the temperature of Flex Zone will be kept around -1°C. This feature also helps keep meat or fish fresh for a longer time.



Wine Party Dishes

- wine
- cocktails
- cakes
- cheeses

Deli Snacks

- pineapples
- lemons
- biscuits
- potatoes

Cold Drinks

- bottled water
- juice
- soft drinks
- beer

Meat Fish

- steaks
- cold cuts
- bacon
- chili dogs



Fruit and vegetables may be damaged under the “Meat Fish” setting. Do not store lettuce or other leafy produce in the Flex Zone.



CAUTION

Do not store glass bottles in the Flex Zone under the “Cold Drinks” or “Meat/Fish” setting. If they are frozen, they can break and cause personal injury.

Operating your French Door Refrigerator

REMOVING THE REFRIGERATOR ACCESSORIES

1. Door Bins & Dairy Compartment

To remove - Simply lift the bin up and pull straight out.

To relocate - Slide it in above the desired location and push down until it stops.

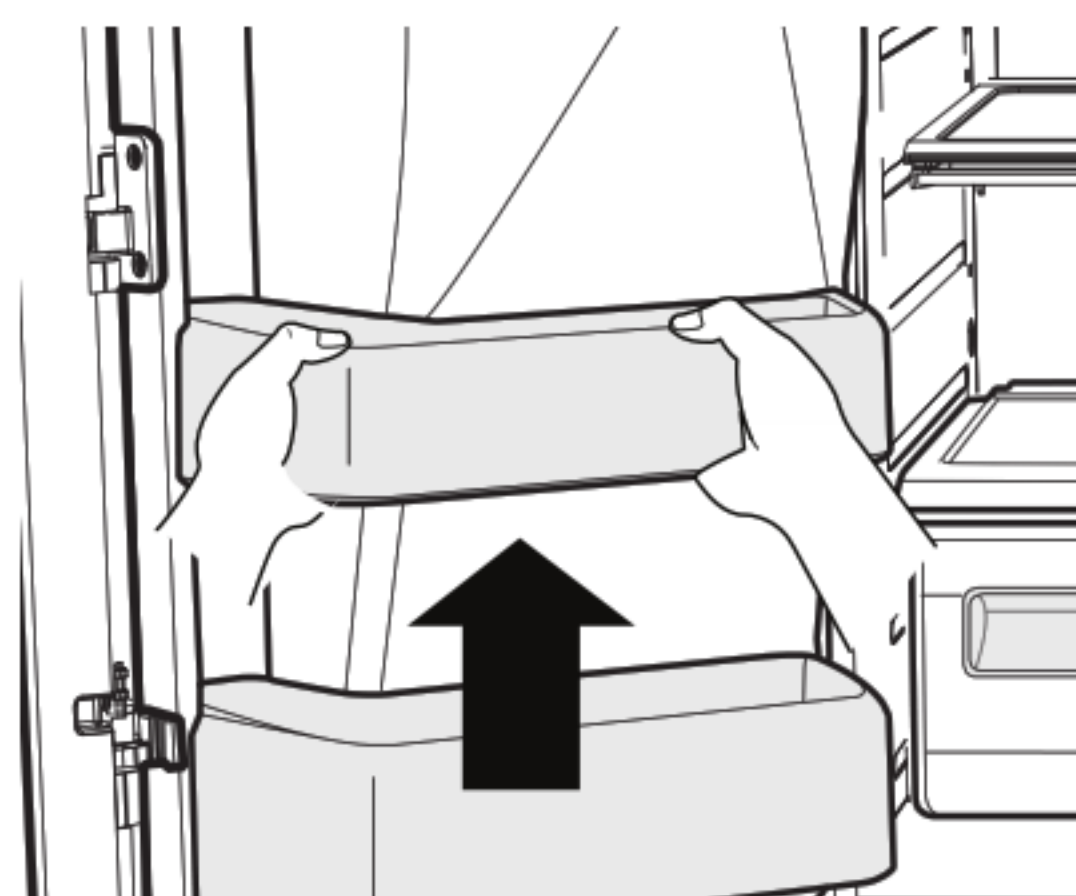


Injury may occur if the door bins are not firmly assembled.
Do not allow children to play with bins. Sharp corners of the bins may cause injury.



Do not adjust a bin full of food. Remove the food first.

Dust removal method - Remove the guard and wash in water.



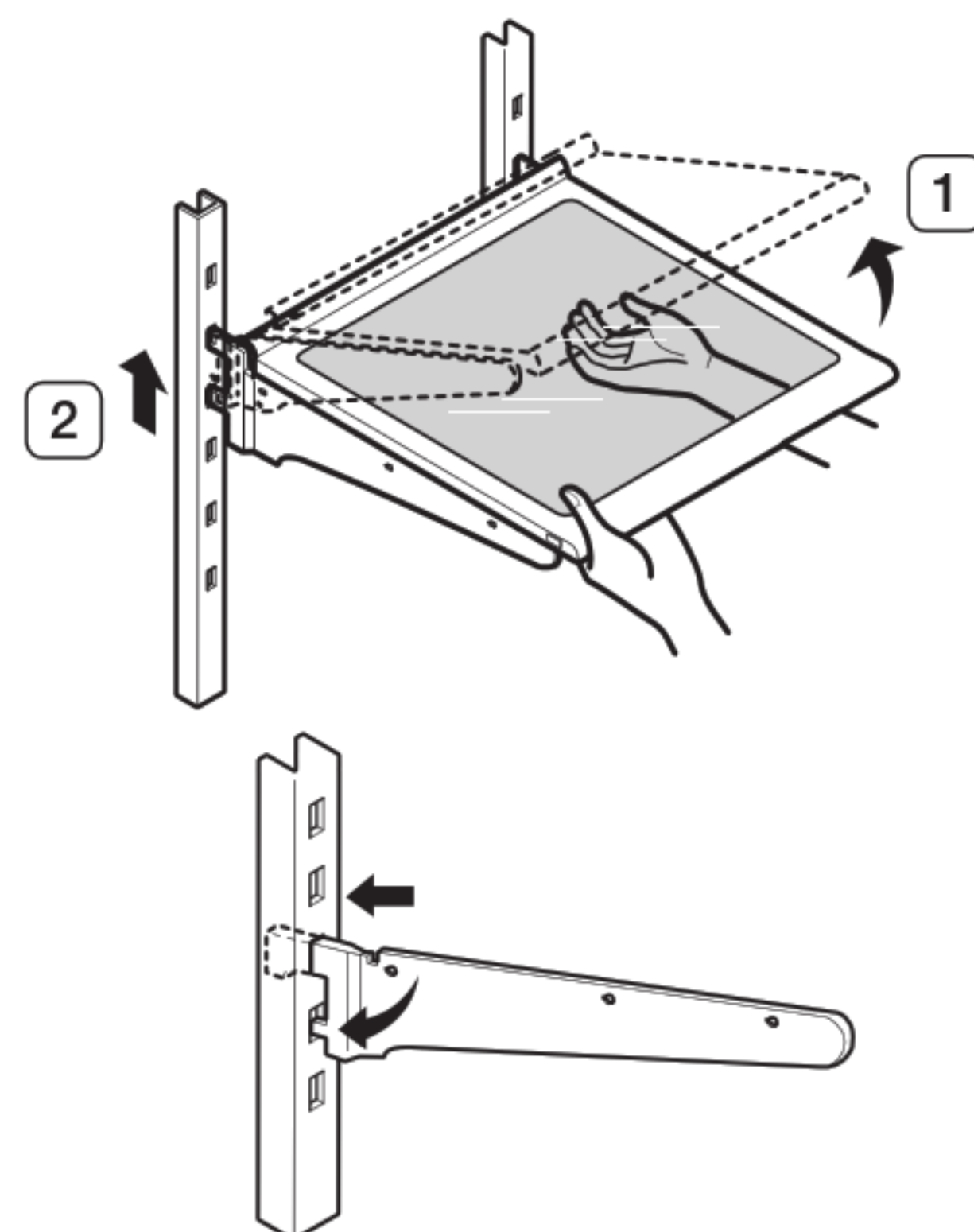
2. Tempered Glass shelves

To remove - Tilt up the front of the shelf in the direction shown (**1**) and lift it up vertically (**2**). Pull the shelf out.

To relocate - Tilt the front of the shelf up and guide the shelf hooks into the slots at a desired height. Then lower the front of the shelf so that the hooks can drop into the slots.



The Tempered Glass shelves are heavy.
Use special care when removing them.



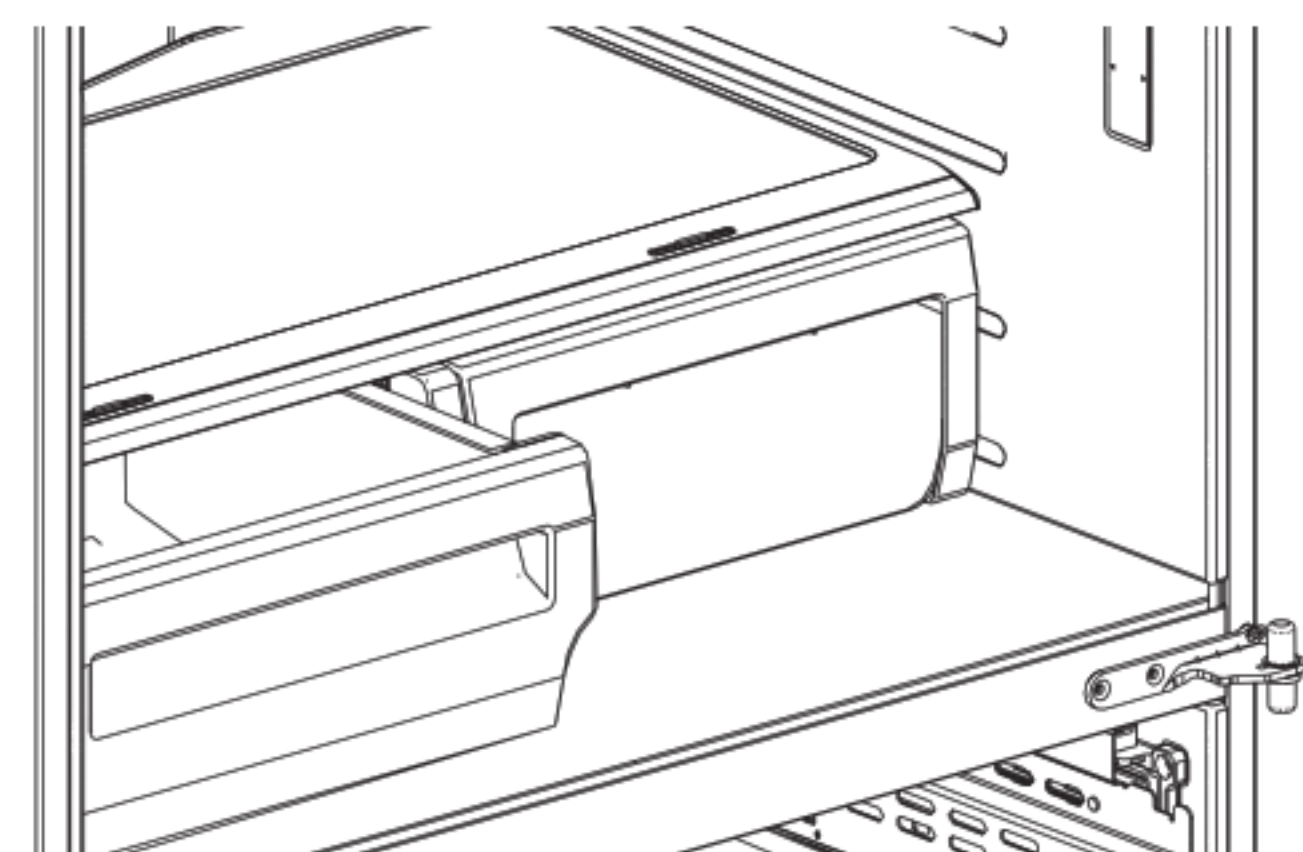
3. Vegetable & Fruit Drawers

To remove - Pull the drawer out to full extension. Tilt up the front of the drawer and pull straight out.

To relocate - Insert the drawer into the frame rails and push back into place.



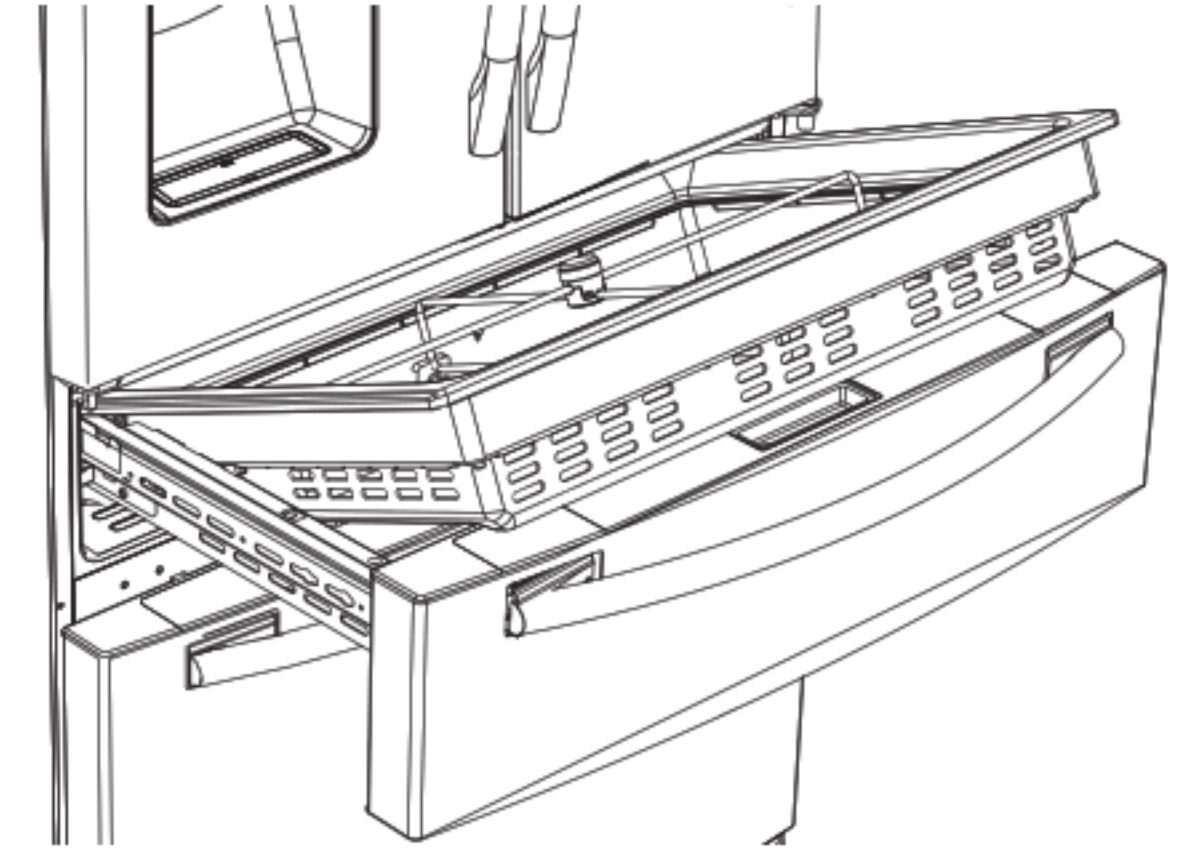
The drawers need to be removed before the glass shelf above them can be lifted out.



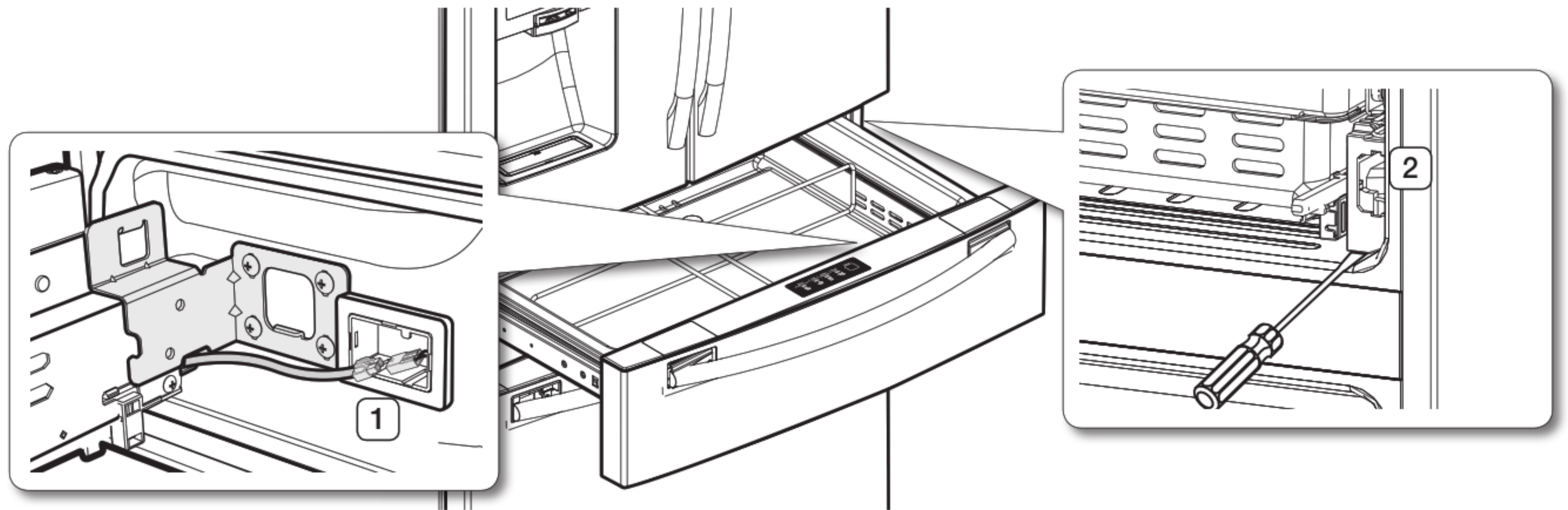
4. Flex Zone

To remove the Flex Zone – Pull the Flex door out to full extension. Lift the Flex Zone up, pulling it to your body with both hands.

To relocate the Flex Zone – Open the Flex door to full extension. Tilt the front of the Flex Zone up, place the back of the Flex Zone onto the rails, and then lower the front until the whole Zone rests on the rails.



When the Flex Zone or LED lighting are not working, check the connectors [(1), (2) shown below] for cracks or leaks.



1. Refer to page 11 for disassembly instructions.
2. Open the cover housing with a flat-blade screwdriver.

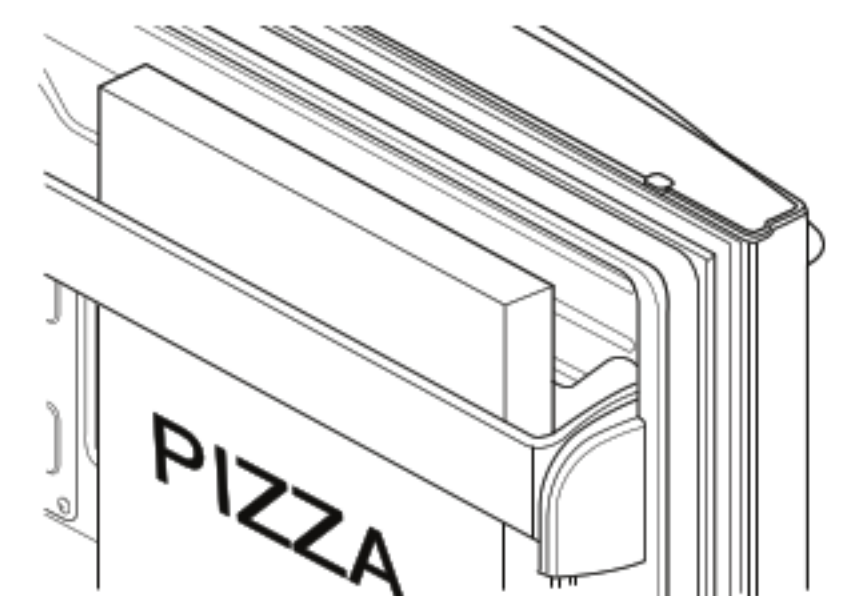
Using the doors

Ensure that the doors close all the way and are securely sealed.

When the refrigerator door is only partially open, it will automatically close. But, the door will stay open when opened more than the auto close range and you must close it manually.

Using the tilting pocket

The Tilting Pocket can be used to store up to a 16" pizza if you place it as shown in the illustration.



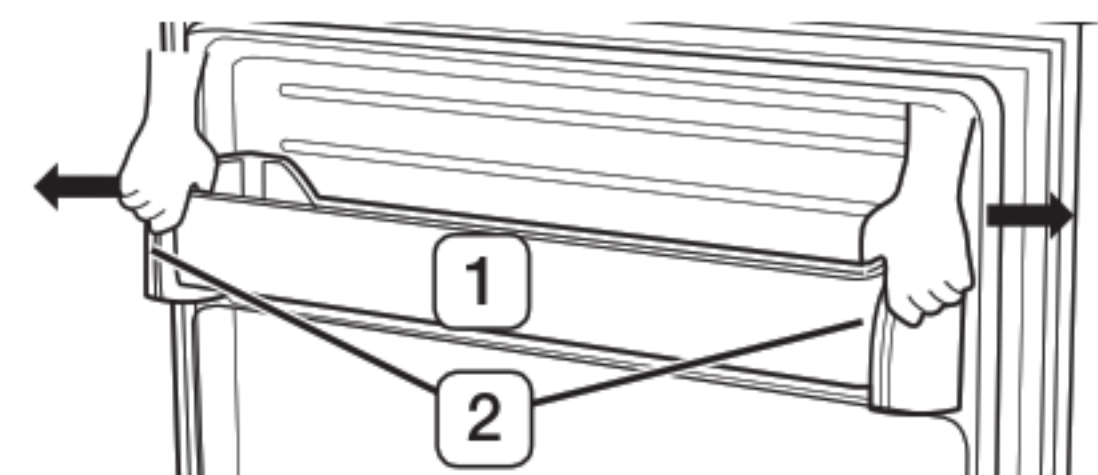
Operating your French Door Refrigerator

REMOVING THE FREEZER ACCESSORIES

1. Tilting Pocket

To remove - Remove the tilting pocket (**1**) by pulling both support guards (**2**) aside. Take out both support guards by pulling them aside.

To replace - Hook the ends of the tilting pocket (**1**) onto the support guards (**2**) and push down until they lock into place.



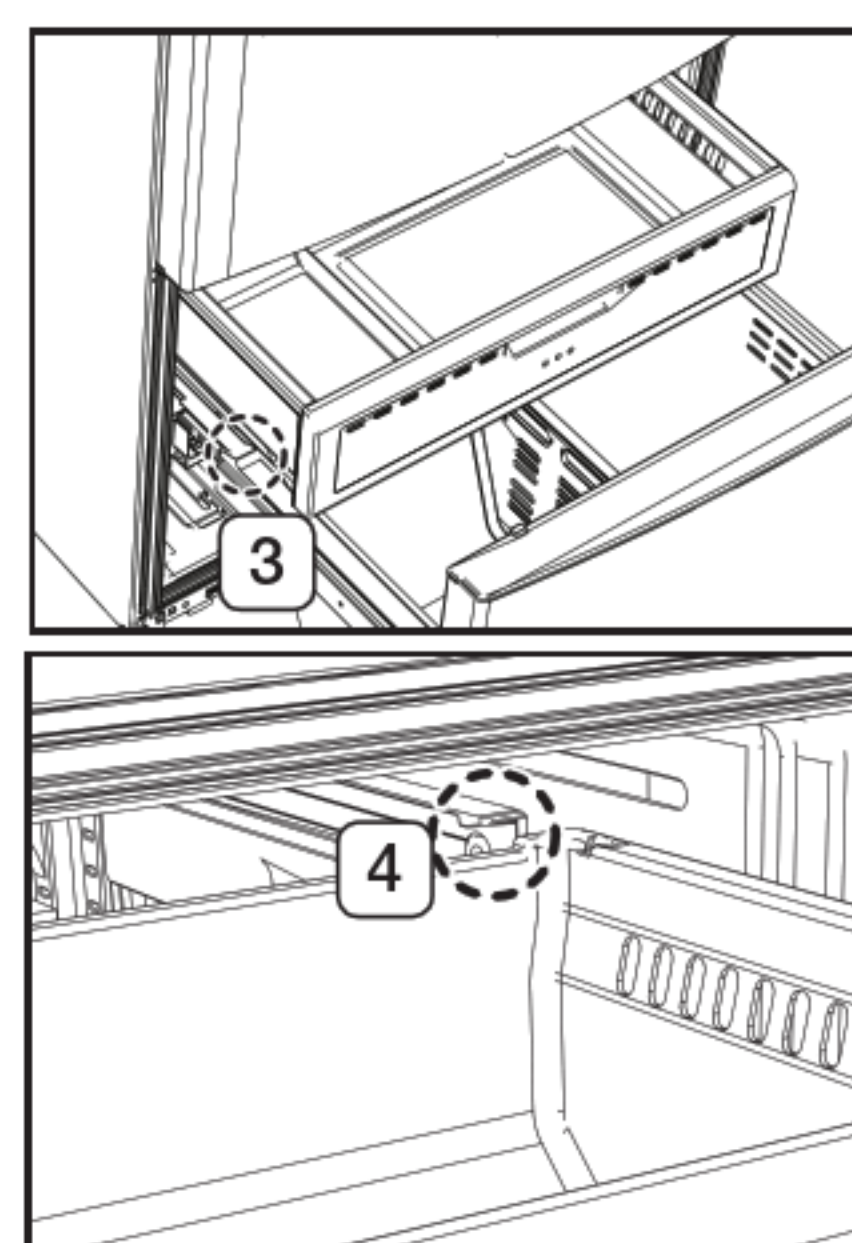
2. Super Extended Drawer

To remove - Pull the drawer out to full extension.

Tilt up the rear of the drawer and lift straight out.

To relocate - Place the drawer onto the rails (**4**) by tilting it up.

Lower the drawer into place until it is horizontal and slide the drawer (**3**) in.



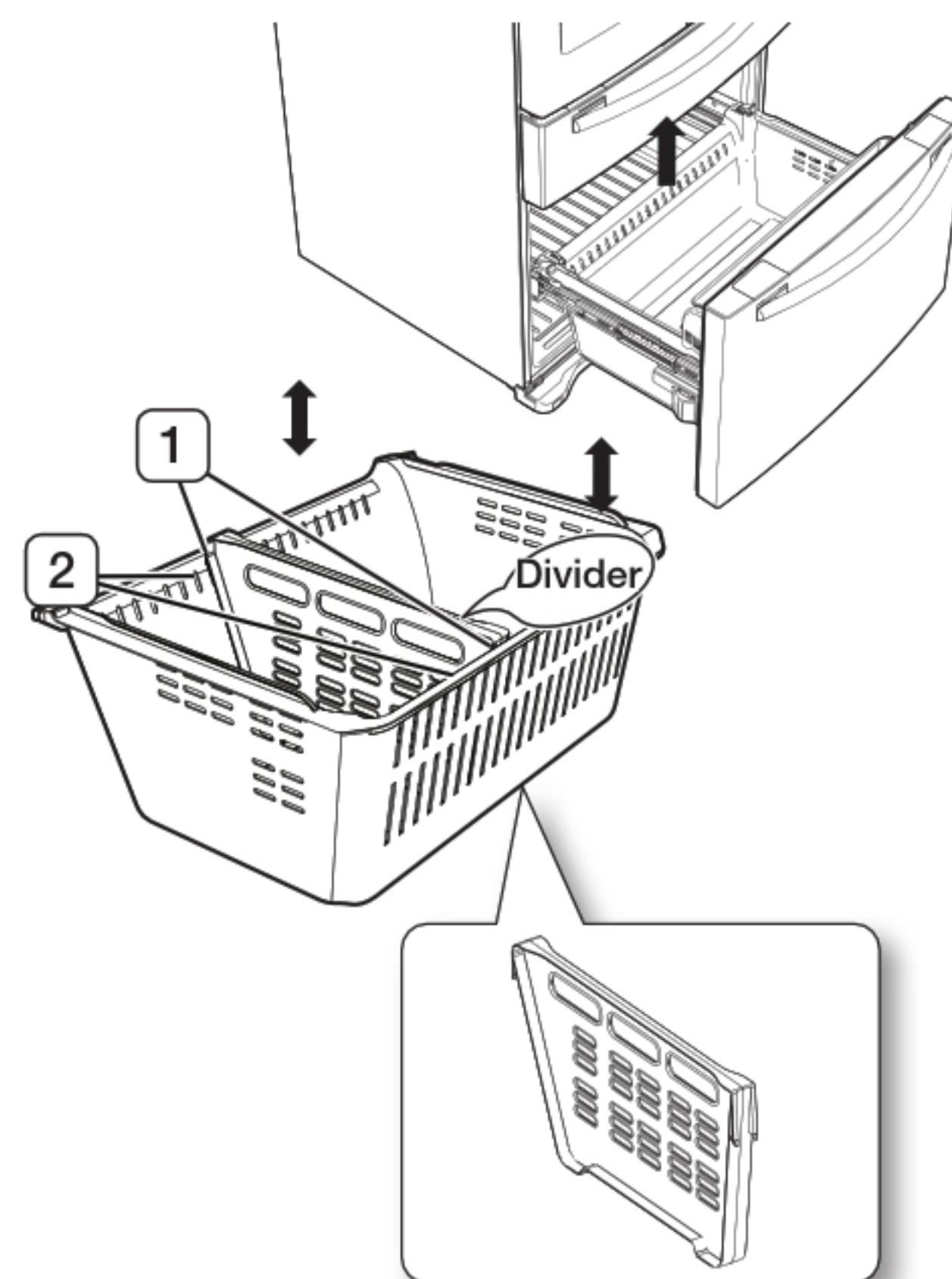
3. Freezer Drawer

To remove the freezer drawer - Pull the freezer drawer out fully. Tilt up the rear of the bin and lift it out to remove.

To relocate the freezer drawer - Place the bin into the rail assembly.

To remove the divider - Pull the divider straight up.

To relocate the divider - Hook the top corners of divider (**1**) over a hole in the bin (**2**).



Do not allow babies or children go inside the freezer drawer. They could damage the refrigerator and seriously injure themselves. Do not sit on the freezer door. The door may break. Do not allow children to climb into the freezer drawer.



If you remove the divider to clean the freezer drawer, be sure to replace the divider. It is for the safety of babes or children.



- Children can become trapped inside and suffocate.

Operating your French Door Refrigerator

FOOD STORAGE TIPS

Foods	Refrigerator	Freezer	Storage Tips
DAIRY PRODUCTS			
Butter	2-3 Weeks	6-9 Months	Wrap or cover tightly.
Milk	1-2 Weeks	Not recommended	Check date code. Most milk and similar products are sold in date-coded cartons that indicate a products's peak freshness. Re-seal with cap or wrap tightly. Do not return unused protions to orignal container.
Cream Cheese, cheese food, and cheese spread	2-4 Weeks	Not recommended	Check date code. Keep all cheese tightly packed in moisture proof wrap
Hard Cheese (un-opened)	3-4 Months	6 Months	
Hard Cheese (opened)	2 Months	Not recommended	
Cottage Cheese	10-15 Days	Not recommended	
Cream	7-10 Days	2 Months	Check date code. Most yogurt, creams, and similar products are sold in date-coded cartons that indicate a product's peak freshness. Re-seal or cover tightly. Do not return unused portions to original container.
Sour Cream	2 Weeks	Not recommended	
Cream Dips (opened)	1 Week	Not recommended	
Yogurt	10-14 Days	Not recommended	Check date code. Keep covered.
Frozen Yogurt	na	2 Months	
EGGS			
Eggs (uncooked)	3-4 Weeks	Not recommended	Check date code. Store eggs in coldest part of refrigerator and in their original container.
Eggs (cooked)	1 Week	Not recommended	Store in covered container
Leftover egg dishes	3-4 Days	Not recommended	Store in covered container
FRESH FRUITS			
Apples	1 Month	Not recommended	If storing in refrigerator, do not wash fruit before storing. Store in moisture resistant bags or containers. Wrap cut fruits. Some fruits darken when refrigerated.
Bananas	2-4 Days	Not recommended	
Peaches, Melons, Pears, Avocados	3-5 Days	Not recommended	
Berries and Cherries	2-3 Days	12 Months	
Apricots	3-5 Days	Not recommended	
Grapes	2-5 Days	na	
Pineapple (un-cut)	2-3 Days	Not recommended	
Pineapple (cut)	5-7 Days	6-12 Months	
Citrus	1-2 Weeks	Not recommended	Store uncovered.
Juice	6 Days	Not recommended	Check date code and re-seal in original container. Do not return unused portions to original container.
Frozen Juice	Thawing only	12 Months	Check date code. Do not re-freeze.

Foods	Refrigerator	Freezer	Storage Tips
FISH AND SHELLFISH			
Fish			
Fatty Fish (mackerel, trout, salmon)	1-2 Days	2-3 Months	Keep in original wrapper and store in coldest part of refrigerator. Package in vapor-proof and moisture proof wrap for freezer. Freeze at 0°F. Thaw in refrigerator or check date code. Freeze in original packaging.
Lean Fish (cod, flounder, etc)	1-2 Days	6 Months	
Frozen or Breaded	na	3 Months	
Shellfish			
Shrimp (uncooked)	1-2 Days	12 Months	To freeze, package in vapor-proof and moisture-proof container.
Crab	3-5 Days	10 Months	
Cooked Fish or Shellfish	2-3 Days	3 Months	
MEAT			
Fresh, Uncooked			
Chops	2-4 Days	6-12 Months	Check date code for use. Store in coldest part of refrigerator in original packaging. Package in moisture-proof and vapor-proof container for freezing. Recommended refrigerator temperature 33°F to 36°F and freezer temperature 0°F to 2°F
Ground	1 Day	3-4 Months	
Roast	2-4 Days	6-12 Months	
Bacon	1-2 Weeks	1-2 Months	
Sausage	1-2 Days	1-2 Months	
Steak	2-4 Days	6-9 Months	
Poultry	1 Day	12 Months	
Lunch meat	3-5 Days	1 Month	
Cooked			
Meat	2-3 Days	2-3 Months	Check date code for use. Store in coldest part of refrigerator in original packaging. Package in moisture-proof and vapor-proof container for freezing.
Poultry	2-3 Days	4-5 Months	
Ham	1-2 weeks	1-2 Months	

Sources:

American Meat Institute Foundation. 1994. Yellow pages: answers to predictable questions consumers ask about meat and poultry. American Meat Institute Food Marketing Institute. 1999. The food keeper. Food Marketing Institute, Washington, D.C. Freeland-Graves, J.H. and G.C. Peckham. 1996. Foundations of food preparation, 6th ed. Prentice-Hall, Inc. Englewood Cliffs, NJ. Hillers, V.N. 1993. Storing foods at home. Washington State University Cooperative Extension, Pullman, WA. Publ. EB 1205.

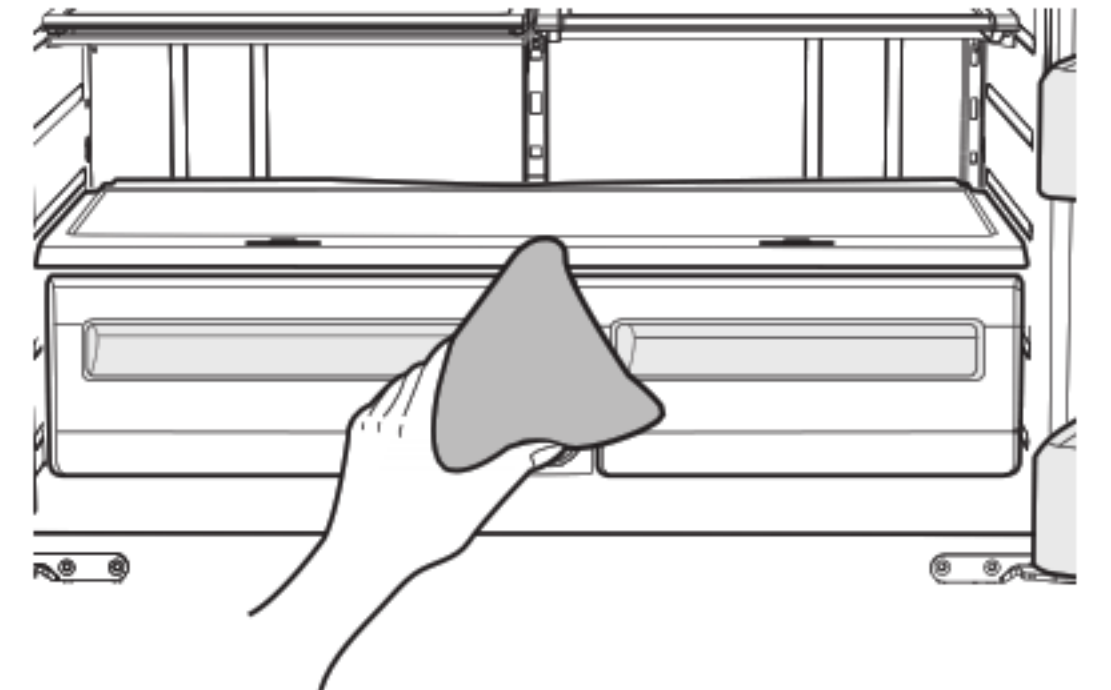
National Restaurant Association. 2001. Be cool-chill out! Refrigerate promptly. National Restaurant Association Education Foundation's International Food Safety Council, Washington, D.C. USDA. 1997. Basics for handling food safely. U.S. Department of Agriculture, Food Safety and Inspection Service, Washington, D.C.

CLEANING THE REFRIGERATOR

Caring for your Samsung French Door Refrigerator prolongs the life of your appliance and helps keep the refrigerator free of odor and germs.

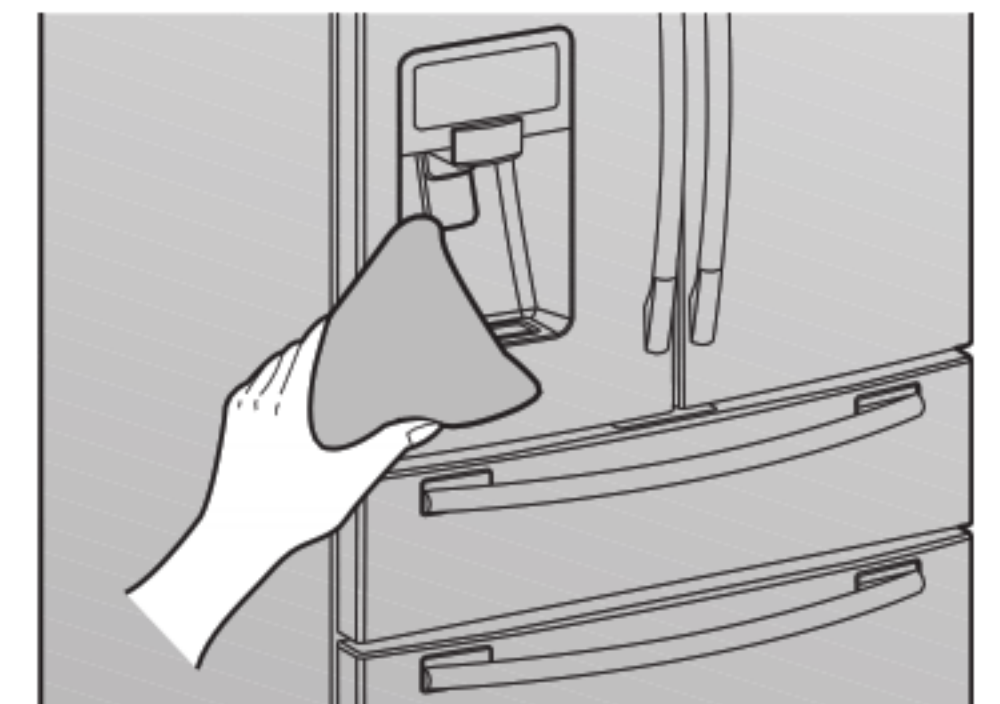
Cleaning the Interior

Clean the inside walls and accessories with a mild detergent and then wipe dry with a soft cloth. You can remove the drawers and shelves for a more thorough cleaning. Just make sure to dry drawers and shelves before putting them back into place.



Cleaning the Exterior

Wipe the control panel and digital display with a damp, clean, soft cloth. Do not spray water directly on the surface of the refrigerator. The doors, handles and cabinet surfaces should be cleaned with a mild detergent and then wiped dry with a soft cloth. To keep your appliance looking its best, polish the exterior once or twice a year.



Do not spray water directly or not use a wet or damp cloth.



Do not use benzene, thinner, or Clorox for cleaning. They may damage the surface of the appliance and may cause a fire.

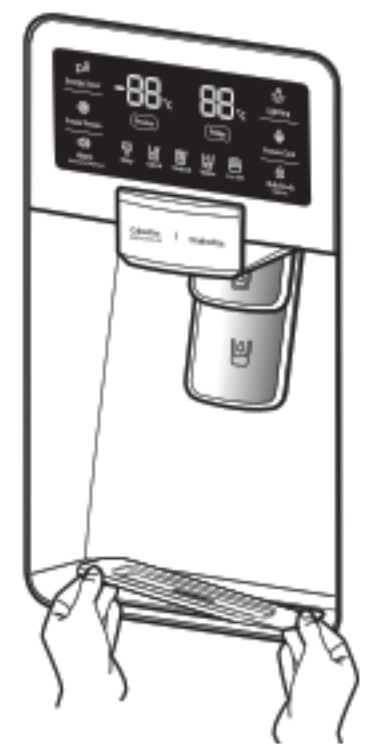


Printed letters on the display may be erased if the stainless cleaner is applied directly to the area where the letters are printed.



Cleaning the Ice / Water Dispenser

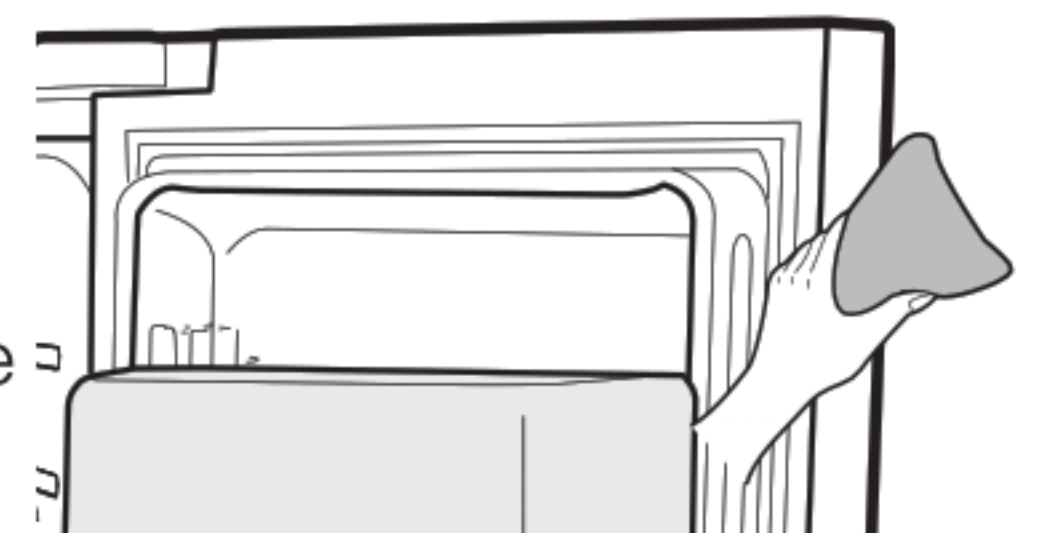
Push down one end of the tray dispenser and remove it. Wipe the Ice / Water Dispenser with a clean and soft cloth.



When using the crushed ice selection from the dispenser some residual ice chips may start to collect in the ice chute. In order to prevent that residual ice from melting and running out of the chute you should clean out the residual ice when you see it start to collect in the ice chute.

Cleaning the Rubber door seals

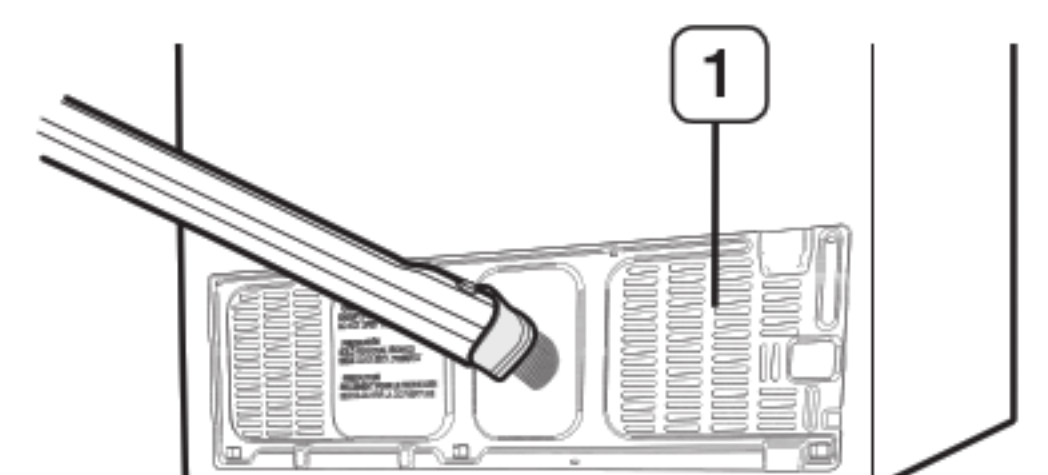
If the rubber door seals are dirty, the doors may not close properly, and the refrigerator will not operate efficiently. Keep the door seals free of dust or stain by cleaning the doors with a mild detergent and damp cloth. Wipe dry with a clean, soft cloth.



Do not clean the refrigerator with benzene, thinner, or car detergent due to risk of fire.

Cleaning the rear side of the refrigerator

To keep cords and exposed parts free of dust and dirt accumulation. Vacuum the rear side of the appliance once or twice a year.



Do not remove the back cover (1). You could suffer an electric shock.

Troubleshooting

TROUBLESHOOTING

PROBLEM	SOLUTION
The refrigerator does not work at all or it does not chill sufficiently.	<ul style="list-style-type: none"> • Check that the power plug is properly connected. • Check if the set temperature on the digital display is warmer than the freezer or fridge inner temperature. If it is, set the refrigerator colder. • Is the refrigerator in direct sunlight or located near a heat source? • Is the back of the refrigerator too close to the wall, preventing proper ventilation?
The food in the fridge is frozen.	<ul style="list-style-type: none"> • Check if the set temperature on the digital display is too low. • Try setting the refrigerator to a warmer temperature. • Is the temperature in the room too low? Set the refrigerator warmer. • Did you store the food which is juicy in the coldest part of the refrigerator? Try moving those items to the other shelves in fridge instead of keeping them in the colder areas or bins.
You hear unusual noise or sounds.	<ul style="list-style-type: none"> • Check that the refrigerator is level and stable. • Is the back of the refrigerator too close to the wall, preventing proper ventilation? Try moving the back of the refrigerator at least 2 inches from the wall. • Was anything dropped behind or under the refrigerator? • A “ticking” sound is heard from inside the refrigerator. It is normal and occurs because various accessories are contracting or expanding according to the temperature of the refrigerator interior. • If it sounds as if something is hitting something else inside the refrigerator, this is normal. The sound is caused by the compressor operating at high capacity.
The cabinet-door sealing area of the appliance is hot and condensation is occurring.	<ul style="list-style-type: none"> • Some heat is normal as anti-condensators are installed in the vertical hinged section of the refrigerator to prevent condensation. • Is the refrigerator door ajar? Condensation can occur when you leave the door open for a long time.
Ice Maker is not producing ice.	<ul style="list-style-type: none"> • Did you wait for 12 hours after installation of the water supply line before making ice? • Is the water line connected and the shut-off valve opened? • Did you manually stop the ice making function? • Is the freezer temperature too warm? Try setting the freezer temperature lower.
You can hear water bubbling in the refrigerator.	<ul style="list-style-type: none"> • This is normal. The bubbling comes from refrigerant circulating through the refrigerator.
There is a bad smell in the refrigerator.	<ul style="list-style-type: none"> • Check for spoiled food. • Foods with strong odors (for example, fish) should be tightly covered. • Clean out your freezer periodically and throw away any spoiled or suspicious food.
Frost forms on the walls of the freezer.	<ul style="list-style-type: none"> • Is the air vent blocked? Remove any obstructions so air can circulate freely. • Allow sufficient space between the stored foods for efficient air circulation. • Is the freezer drawer closed properly?
Water dispenser is not functioning.	<ul style="list-style-type: none"> • Is the water line connected and the shut-off valve opened? • Has the water supply line tubing been crushed or kinked? • Make sure the tubing is free and clear of any obstruction. • Is the water tank frozen because the fridge temperature is too low? Try selecting a warmer setting on the Digital display.
Auto close system does not work with the freezer door.	<ul style="list-style-type: none"> • Is there an imbalance between the right and left parts of the door? • Open and close the door smoothly 1~2 times. After you do this, the auto close system usually works properly again. • Try opening the door smoothly to avoid unbalancing the right part and the left part of the door.

In case the need for servicing arises

Do not hesitate to call any Samsung Authorized Service Center nearby giving them your name, address and telephone number when your product is not functioning properly.

Warranty Information

Limited Warranty for Original Purchaser

This Samsung product is warranted by Samsung Electronics Canada, Inc. (hereafter referred to as SECA) against manufacturing defects in material or workmanship for the following periods:

Labor : 1 year (in-home)

Parts : 1 year

Compressor : 5 year

SECA further warrants that if this product fails to operate properly within the specified warranty period and the failure is due to improper workmanship or defective material, SECA will repair or replace the product at its option.

All warranty repairs or part replacements must be performed by a SECA Authorized Service Center. (To find the nearest SECA Service Center, call 1-800-SAMSUNG (7267864) or visit our web site at www.samsung.com/ca)

Obligation to the Original Owner

The original dated sales receipt must be retained by the customer and is the only acceptable proof of purchase. It must be presented to a SECA Authorized Service Center at the time service is requested before warranty services are rendered. On all carry-in models, transportation to and from the Authorized Service Center is the responsibility of the customer.

Exclusions of the Warranty

This warranty does not cover damage due to accident, fire, flood, and/or other Acts of God, misuse, incorrect line voltage, improper installation, improper or unauthorized repairs, commercial use, or damage that occurs during shipping. Customer adjustments which are explained in this owner's manual are not covered under the terms of this warranty. This warranty will automatically be voided for any unit found with a missing or altered serial number. This warranty is valid only on products purchased and used in the Canada.

**Samsung Electronics Canada Inc., Customer Service
55 Standish Court Mississauga, Ontario L5R 4B2
Canada**

**Customer Care Center 1-800-SAMSUNG(7267864)
Customer Care Center fax. 1-866-436-4617**

If you have any questions or comments relating to Samsung products,
please contact the SAMSUNG customer care center.

SAMSUNG ELECTRONICS CANADA, INC.
55 STANDISH COURT MISSISSAUGA, ONTARIO L5R 4B2 CANADA
TEL : 905-542-3535 FAX : 905-542-3835
1-800-SAMSUNG (7267864)
www.samsung.com/ca

Memo



In an effort to promote recycling this user manual is printed on recycled paper.