



**SAMSUNG**



# DIGITAL LASER PRINT ML-4550 Series

ML-4550/XEU

**Basic Model : ML-4550**

# **SERVICE** *Manual*



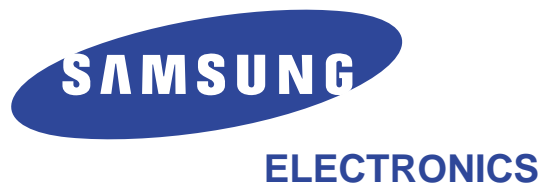
## DIGITAL LASER PRINT



## CONTENTS

### [The keynote of Product]

- Series Model: ML-4550 / 4551N / 4551ND
- High speed Laser Printer:  
Up to 43 ppm in A4 (45 ppm in Letter),  
Duplex: 29 ipm (A4); 30 ipm (Letter)
- Resolution: Up to 1200 x 1200 dpi
- Marvell 500Mhz
- Memory: 128 MB (Max. 512 MB)  
128, or 256 MB optional memory available.  
Use only the Samsung-approved DIMM.  
128 MB: ML-MEM150, 256 MB: ML-MEM160
- Option:  
ML-4550:500-sheet trays, ethernet 10/100 Base  
TX wired LAN, ethernet 10/100 Base  
hard disk, duplex unit, DIMM
- Toner cartridge:
  - Starter: 10K or 20K pages
  - Consumable: 10K or 20K pages
- Duty cycle: Monthly Up to 150,000 pages



\* This service manual is a property of Samsung Electronics Co., Ltd.  
Any unauthorized use of Manual can be punished under applicable  
international and/or domestic law.

© Samsung Electronics Co., Ltd. Mar. 2006  
Printed in Korea.

**VERSION NO. : 1.00    CODE : JC-0168F**

# Contents

## 1. Precautions

1.1 Safety Warning . . . . .	1-1
1.2 Caution for safety . . . . .	1-2
1.3 ESD Precautions . . . . .	1-5

## 2. Product Specifications

2.1 Product Overview . . . . .	2-1
2.2 Specifications . . . . .	2-1
2.3 Model Comparison Table . . . . .	2-6

## 3. Summary of Product

3.1 Printer Components . . . . .	3-1
3.2 System Layout . . . . .	3-7
3.3 Engine H/W Specifications . . . . .	3-11

## 4. Alignment and Adjustments

4.1 How to use EDC (Engine Diagnostic Control) Mode . . . . .	4-1
4.2 Paper Path . . . . .	4-10
4.3 Sample Pattern . . . . .	4-17
4.4 Periodic Defective Image . . . . .	4-18
4.5 Error Messages . . . . .	4-19

# Continue...

## 5. Disassembly and Reassembly

5.1 General Precautions on Disassembly . . . . .	5-1
5.2 Transfer Roller . . . . .	5-2
5.3 MPF Ass'y . . . . .	5-3
5.4 Holder Pad Ass'y . . . . .	5-4
5.5 Retard Ass'y . . . . .	5-5
5.6 Feed2 Idle Unit . . . . .	5-6
5.7 Cover Right . . . . .	5-7
5.8 Main PBA . . . . .	5-8
5.9 Main Drive Ass'y . . . . .	5-9
5.10 DEVE Drive Ass'y . . . . .	5-10
5.11 Connector PBA . . . . .	5-11
5.12 Solenoid . . . . .	5-12
5.13 Rear Cover . . . . .	5-13
5.14 Cover Left . . . . .	5-14
5.15 Top Cover . . . . .	5-15
5.16 Open Cover . . . . .	5-16
5.17 Inner Cover . . . . .	5-17
5.18 Fuser Ass'y . . . . .	5-18
5.19 Duplex Solenoid Ass'y . . . . .	5-20
5.20 Exit Roller . . . . .	5-21
5.21 LSU . . . . .	5-22
5.22 DC Fan . . . . .	5-23
5.23 Toner Sensor PBA . . . . .	5-24
5.24 REGI Ass'y . . . . .	5-25
5.25 MP Pick Up Ass'y . . . . .	5-26
5.26 Pick Up & Feed2 Ass'y . . . . .	5-28
5.27 Engine Shield . . . . .	5-31

# Continue...

## 6. Troubleshooting

6.1 The cause and solution of Bad image . . . . .	6-1
6.2 The cause and solution of the bad discharge . . . . .	6-8
6.3 The cause and solution of the malfunction . . . . .	6-13
6.4 Maintaining the toner cartridge . . . . .	6-17
6.5 The cause and solutions of bad environment of the software . . . . .	6-22

## 7. Exploded Views & Parts List

7.1 Main Assembly . . . . .	7-2
7.2 Cover Assembly . . . . .	7-3
7.3 Frame Assembly . . . . .	7-4
7.4 Fuser Unit . . . . .	7-6
7.5 REGI Assembly . . . . .	7-7
7.6 Main Motor Assembly . . . . .	7-8
7.7 Deve Motor Assembly . . . . .	7-9
7.8 Exit Sorenoide Assembly . . . . .	7-10
7.9 Cassette Assembly . . . . .	7-11
7.10 Duplex Unit . . . . .	7-12
7.11 SCF Unit . . . . .	7-13

## 8. Block diagram

8.1 System Block Diagram . . . . .	8-1
------------------------------------	-----

## 9. Connection Diagram

9.1 Connection Diagram . . . . .	9-1
----------------------------------	-----

# Continue...

## 10. Schematic Diagram

10.1 Main Board . . . . .	10-1
10.2 DIMM board . . . . .	10-17
10.3 CRUM board . . . . .	10-19
10.4 EMPTY board . . . . .	10-20
10.5 HVPS . . . . .	10-21
10.6 Panel . . . . .	10-25
10.7 SCF . . . . .	10-26
10.8 Toner sensor . . . . .	10-29
10.9 HDD.eps . . . . .	10-30

## 11. Reference Information

11.1 Troubleshooting Tools . . . . .	11-1
11.2 Acronyms and Abbreviations . . . . .	11-2
11.3 Select a location for the printer . . . . .	11-4
11.4 Sample Tests Patterns . . . . .	11-5

## 7. Exploded Views and Parts List (ML-4550/XEU)

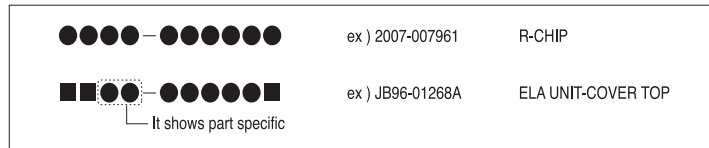
### Contents

7.1 Main Assembly . . . . .	p.7-2
7.2 Cover Assembly . . . . .	p.7-3
7.3 Frame Assembly . . . . .	p.7-4
7.4 Fuser Unit . . . . .	p.7-6
7.5 REGI Assembly . . . . .	p.7-7
7.6 Main Motor Assembly . . . . .	p.7-8
7.7 Deve Motor Assembly . . . . .	p.7-9
7.8 Exit Sorenoind Assembly . . . . .	p.7-10
7.9 Cassette Assembly . . . . .	p.7-11
7.10 Duplex Unit . . . . .	p.7-12
7.11 SCF Unit . . . . .	p.7-13

### Way to observe Part Code & Description

Part code and Description is quoted and controlled by determined standard. Refer to this determined standard, it will help with ordering Part.

- There are two kinds of Part code inscription type.



( ● : figure, ■ : character (alphabet) )

**Type 1** : Controlled by Company : It can be commonly used for all kinds of product SEC produce. Mostly, electronics Parts.

**Type 2** : Controlled by Division : It is used or one produce. Mostly, Mostly, mechanical Parts.

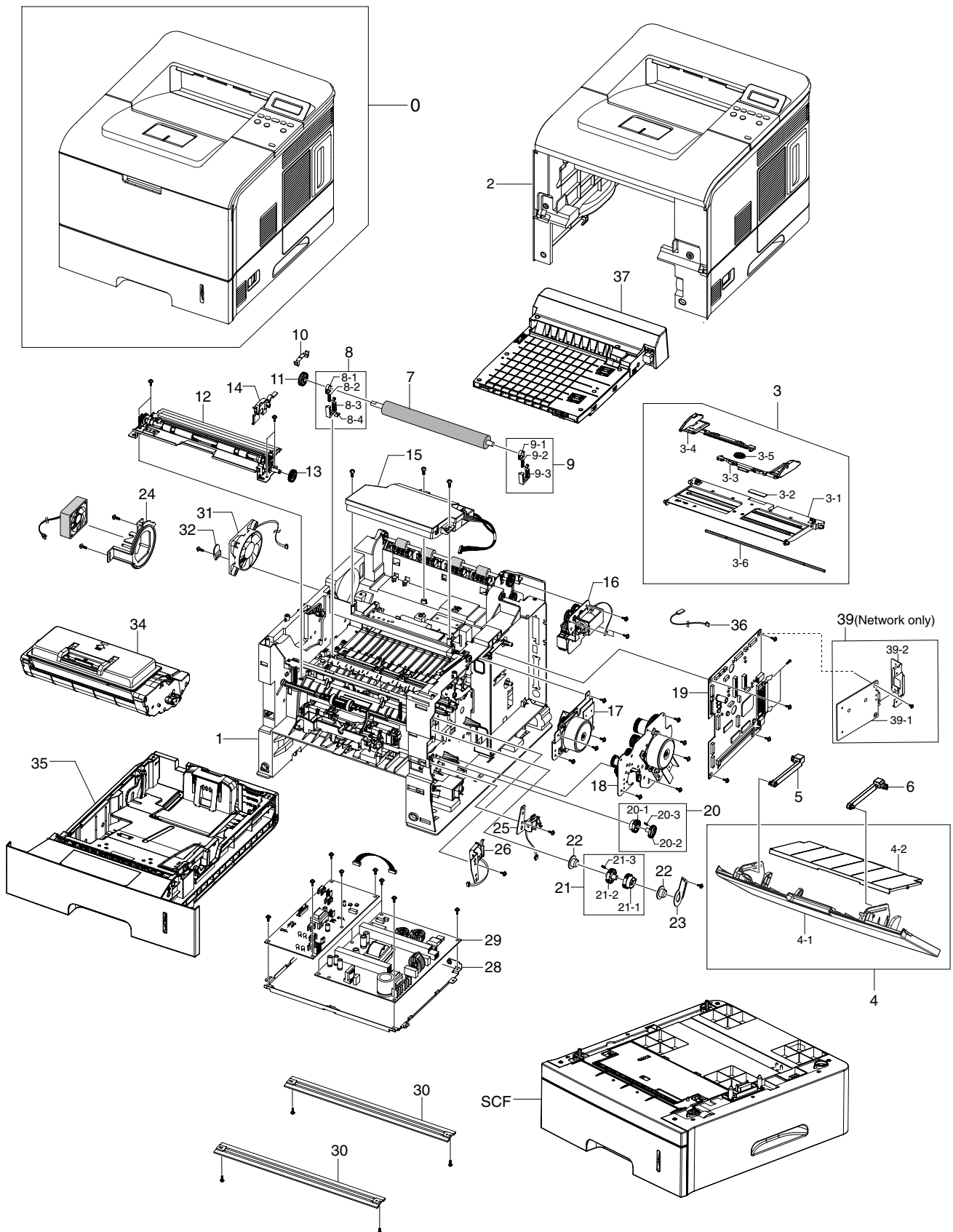
- **A/S privately used part** : It is only used for A/S .

- **Ass'y part** : Assembled by more than 2 Parts. If necessary part is not A/S Part, Ass'y part including necessary par can be used. It is shown in the diagram and drawing of SVC manual.

• Ass'y part and A/S privately used Part is distinguished by part Code and Description. The are inscription type 2. It is recognized by Part character and front side of description.

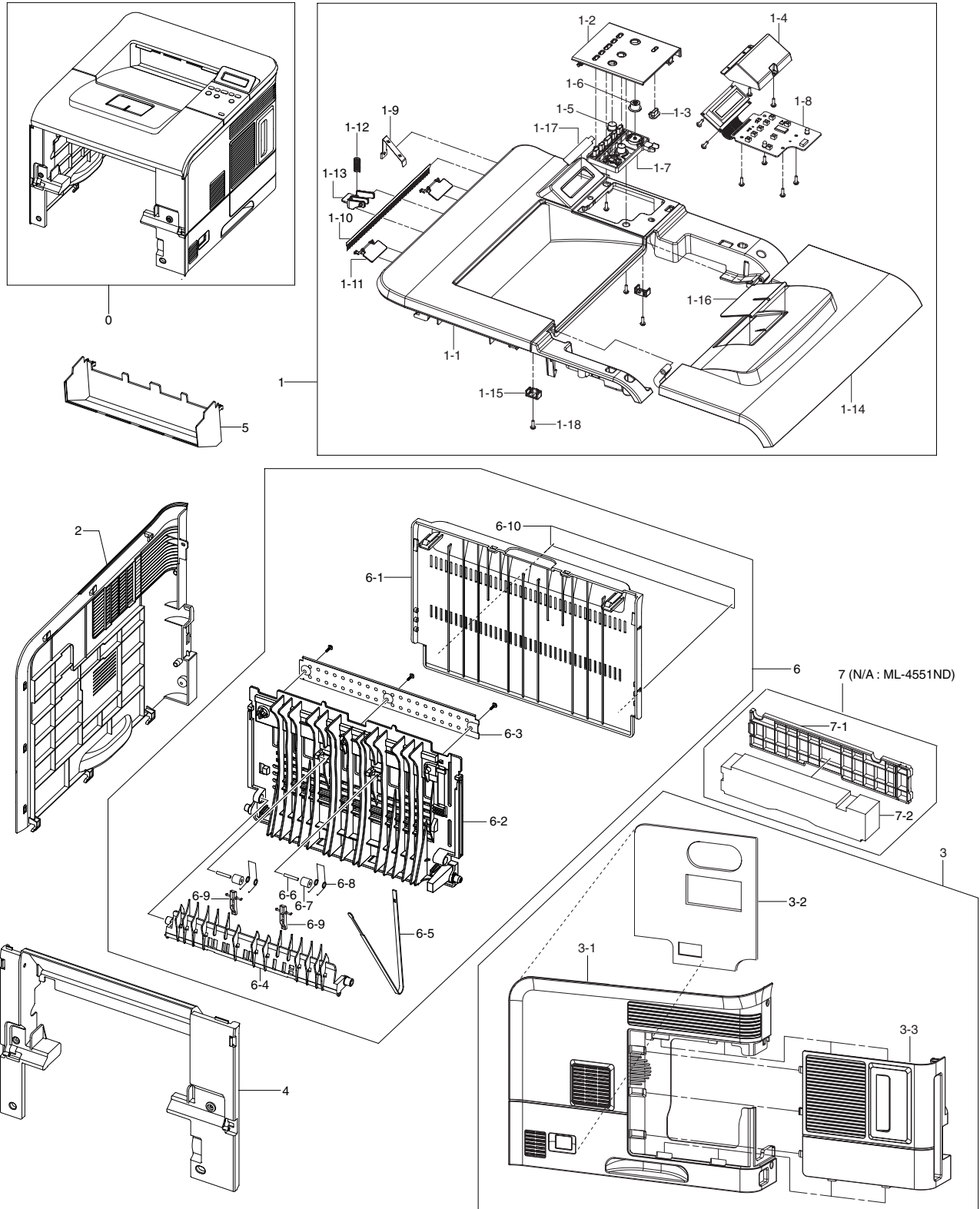
DIVISION	PART CODE	DESCRIPTION
A/S Private	**81_***** (JB81-00039A)	AS_***** (AS-USE)
ASS'Y Part	**75_***** (JB75-00068A)	MEC_***** (MEC-CHUTE)
ASS'Y Part	**92_***** (JB92-01131A)	PBA_***** (PBA MAIN-CONTROLLER)
ASS'Y Part	**97_***** (JB97-01089A)	MEA_***** (MEA UNIT-PULLEY IDLE)

## 7.1 Main Assembly

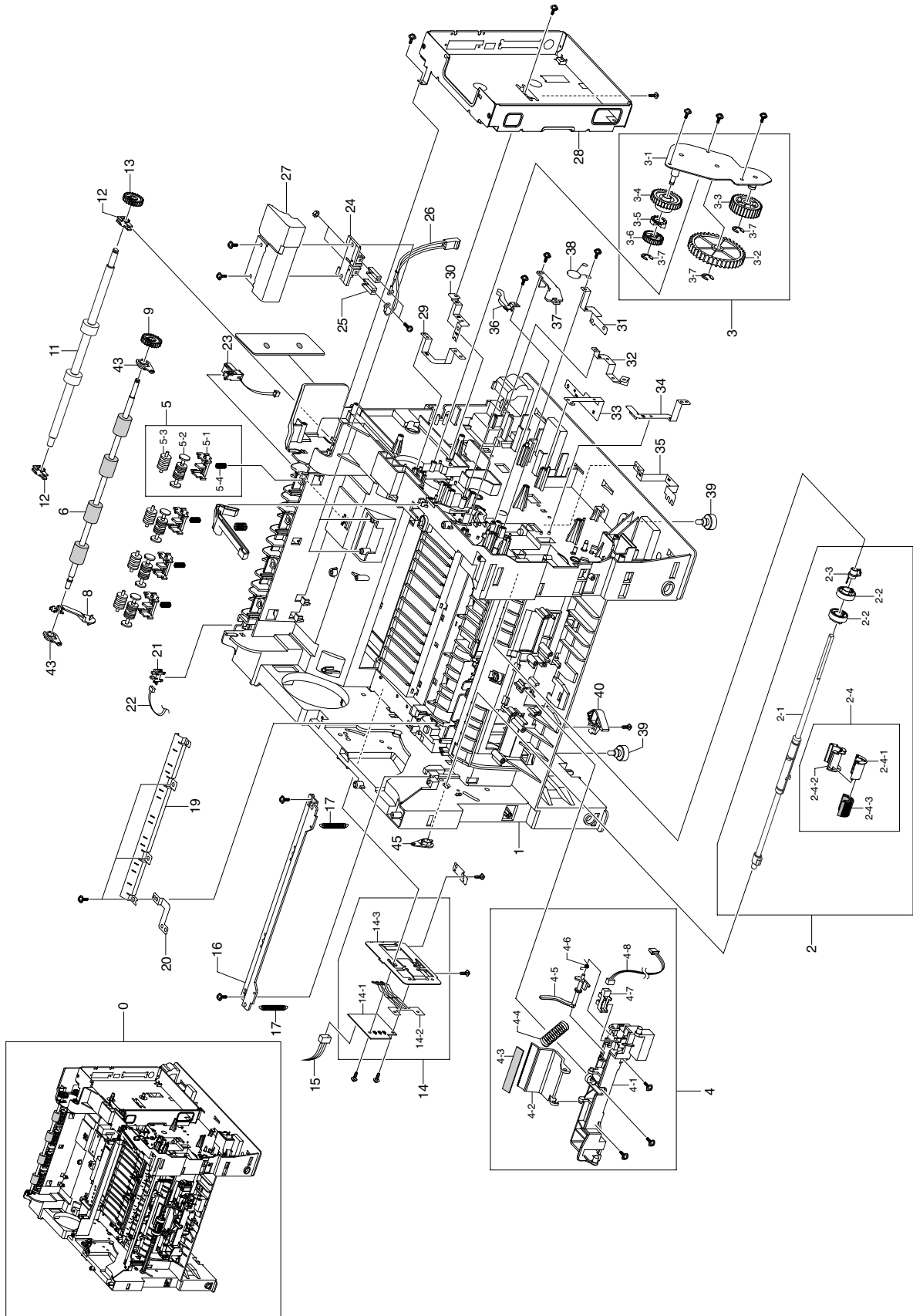




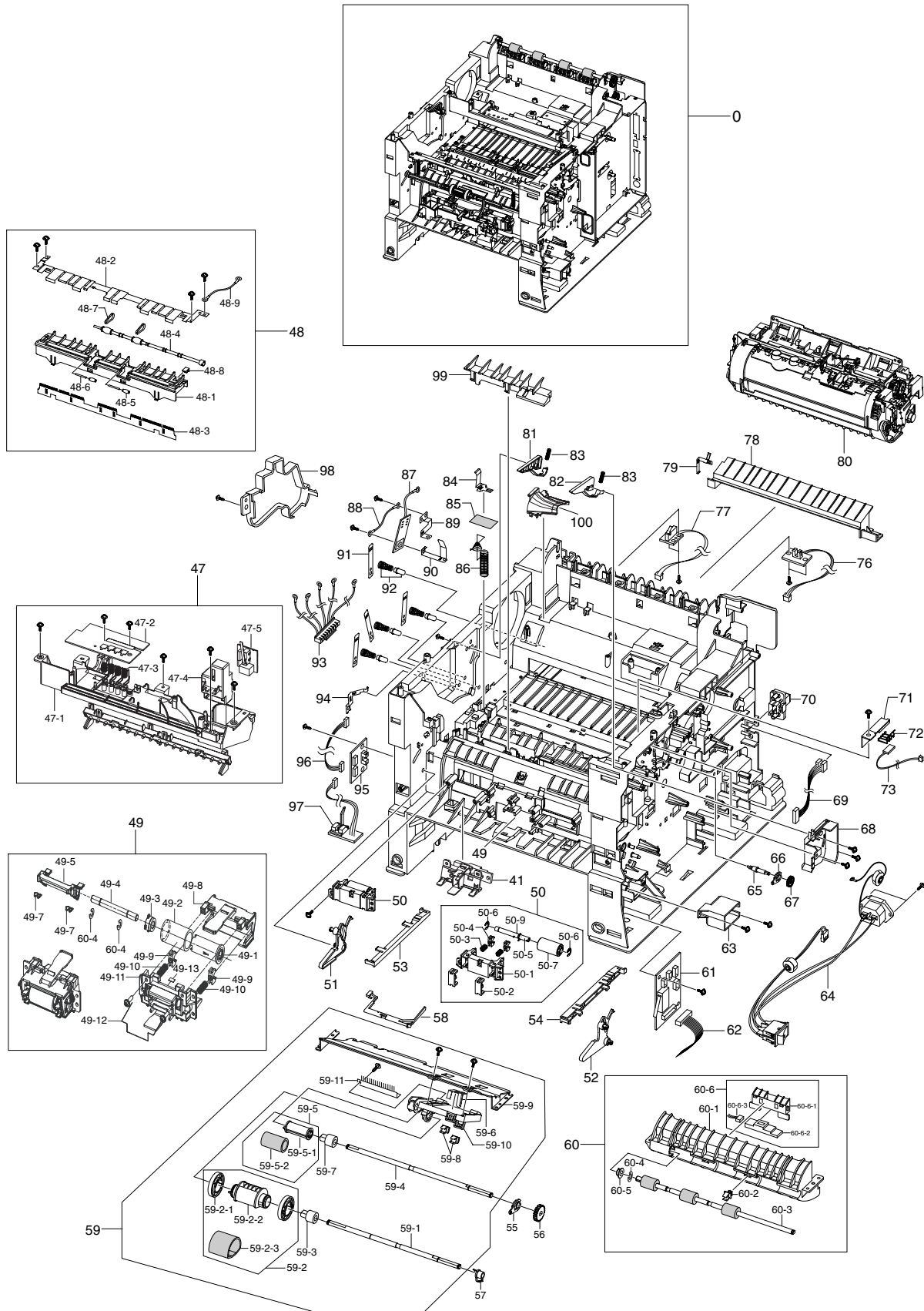
## 7.2 Cover Assembly



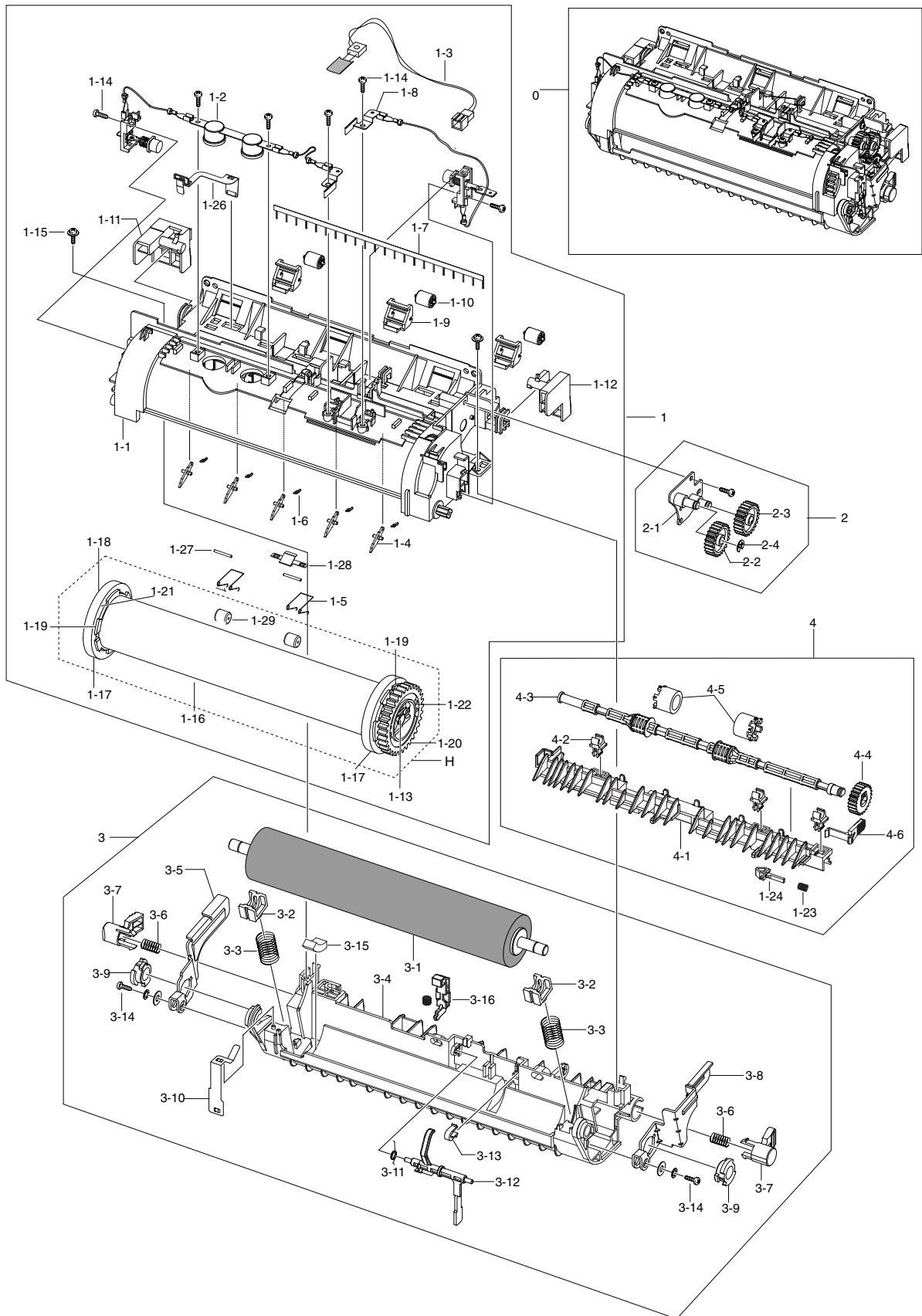
## 7.3 Frame Assembly(1/2)



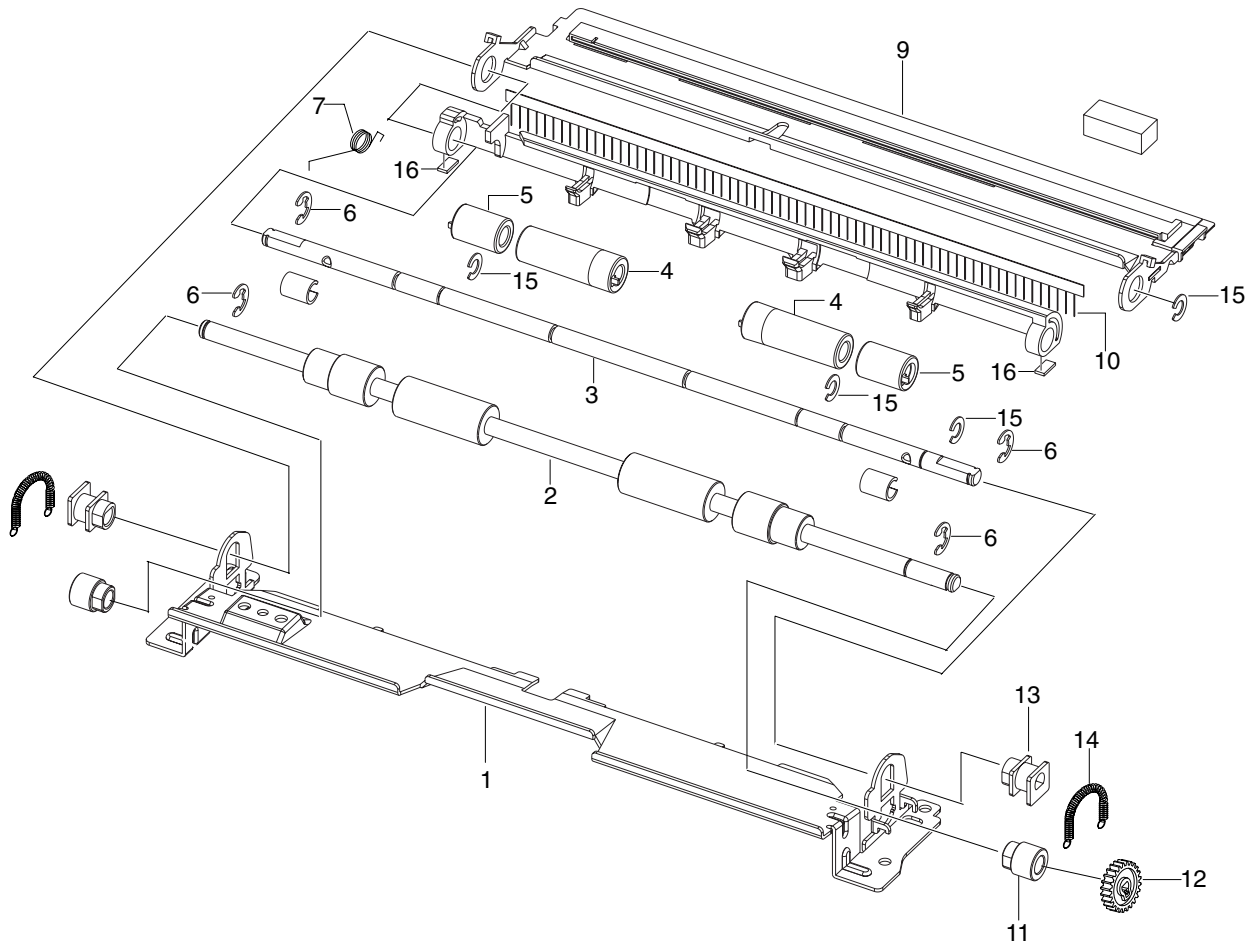
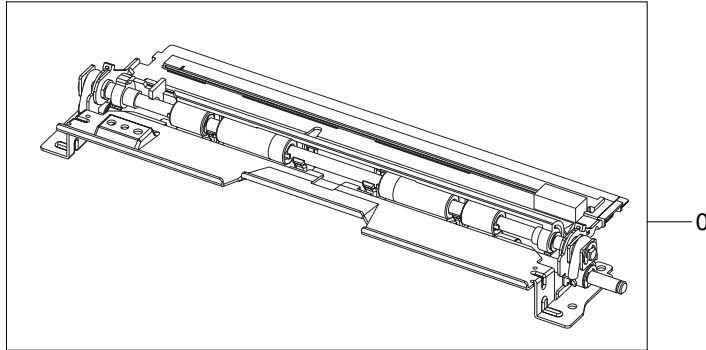
# Frame Assembly(2/2)



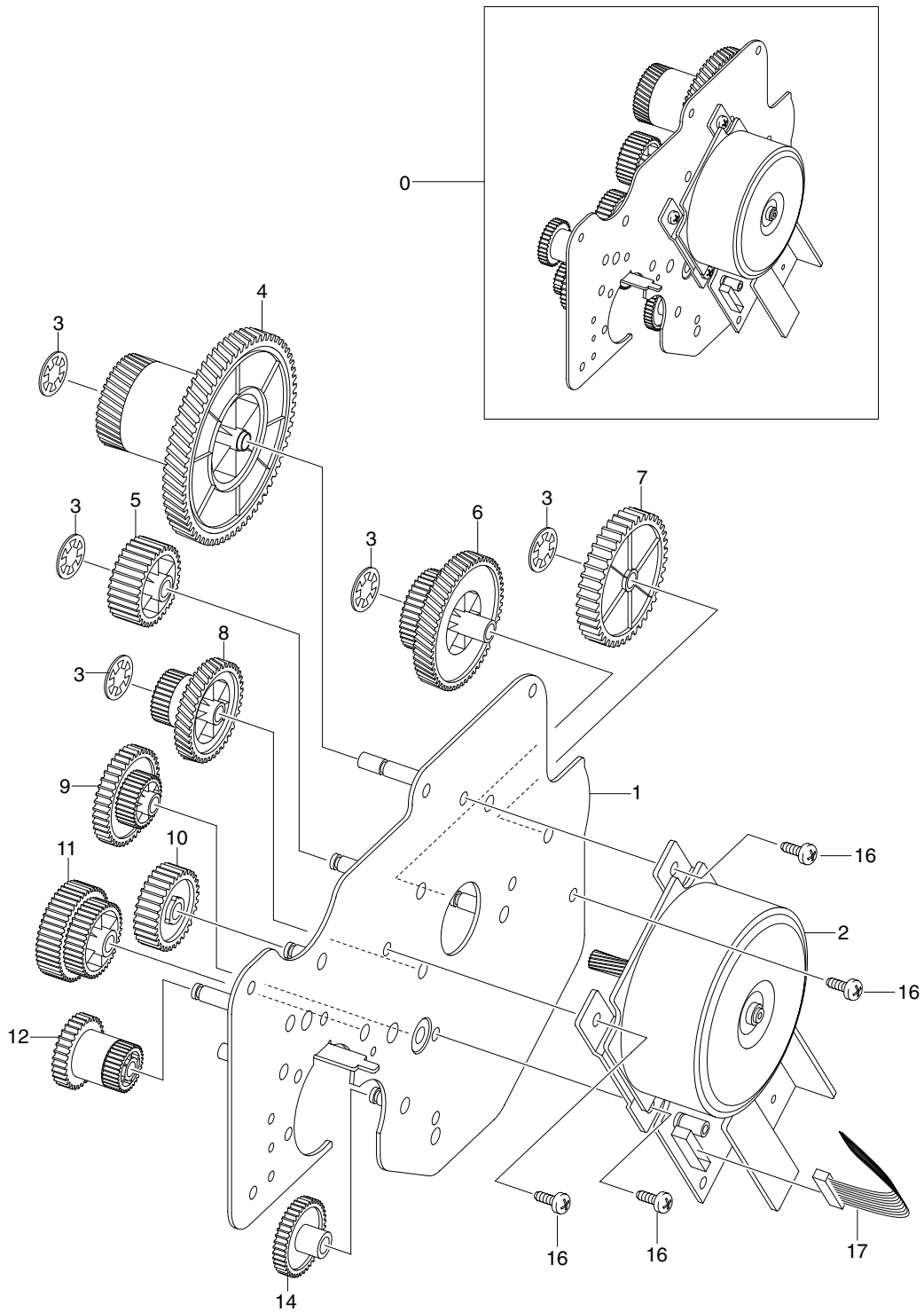
## 7.4 Fuser Unit



## 7.5 REGI Assembly

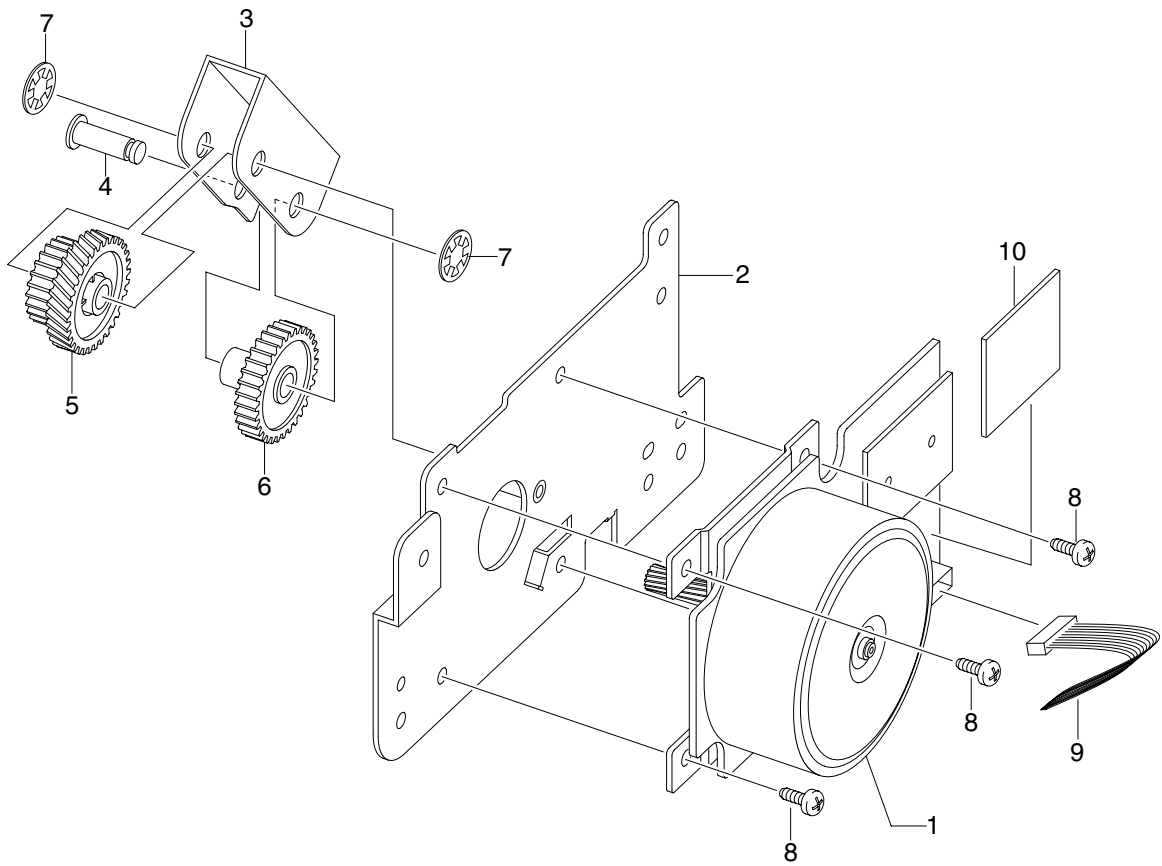
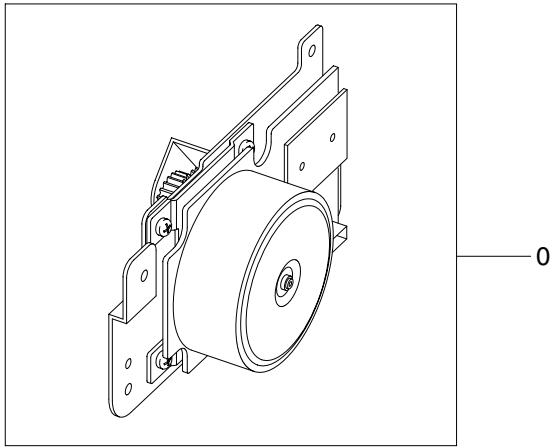


## 7.6 Main Motor Assembly

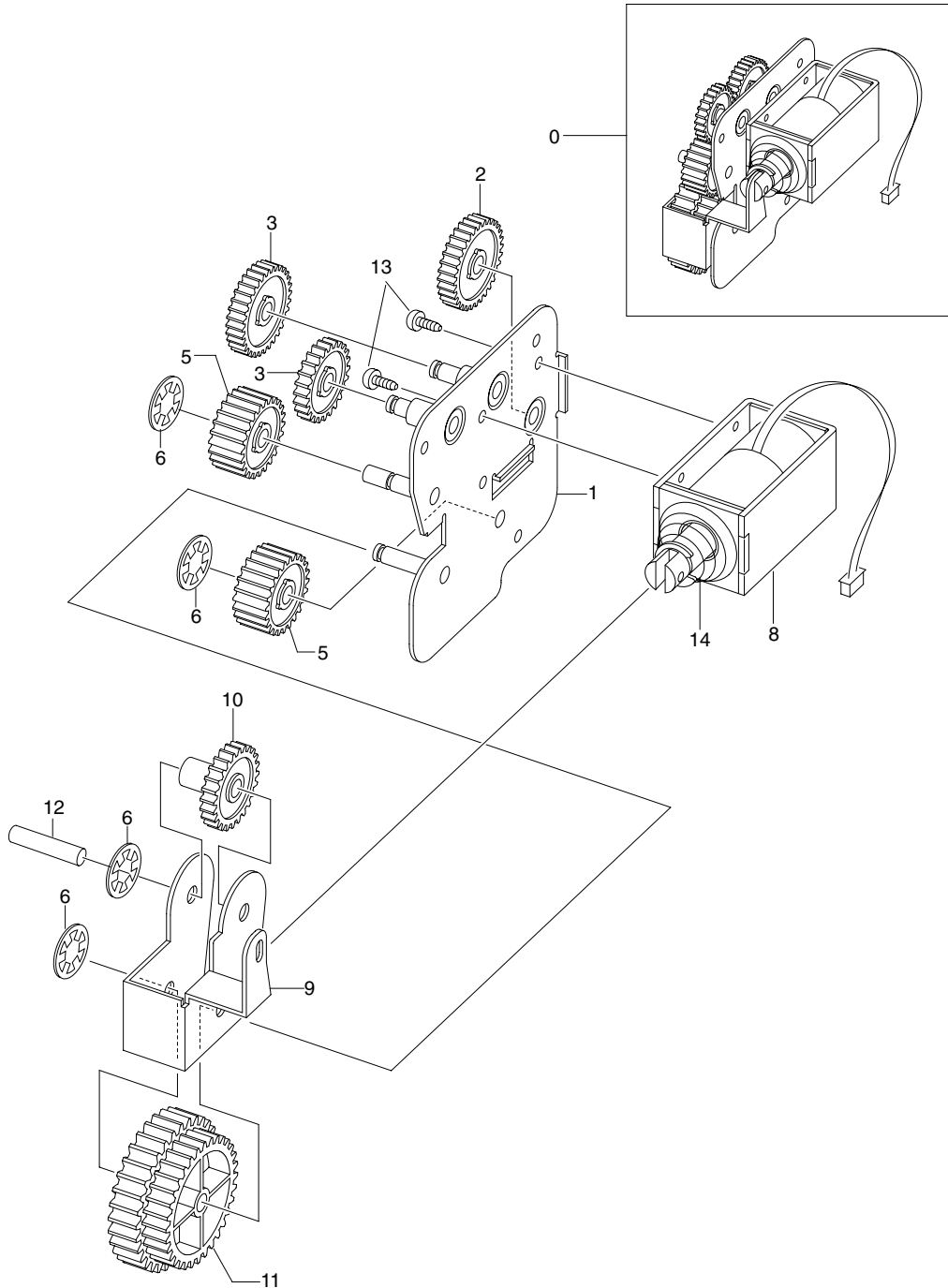




## 7.7 Deve Motor Assembly

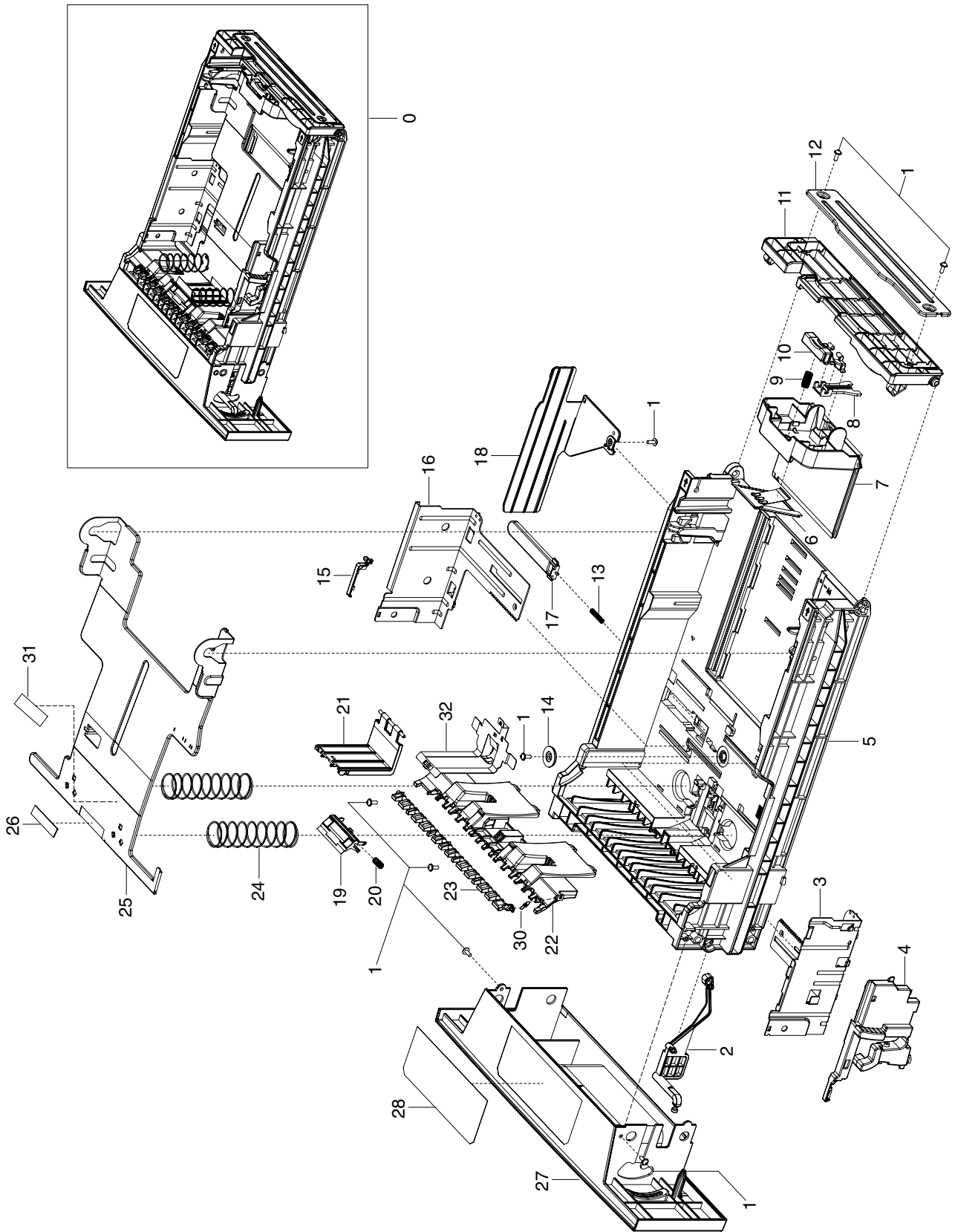


## 7.8 Duplex Sorenoid Assembly

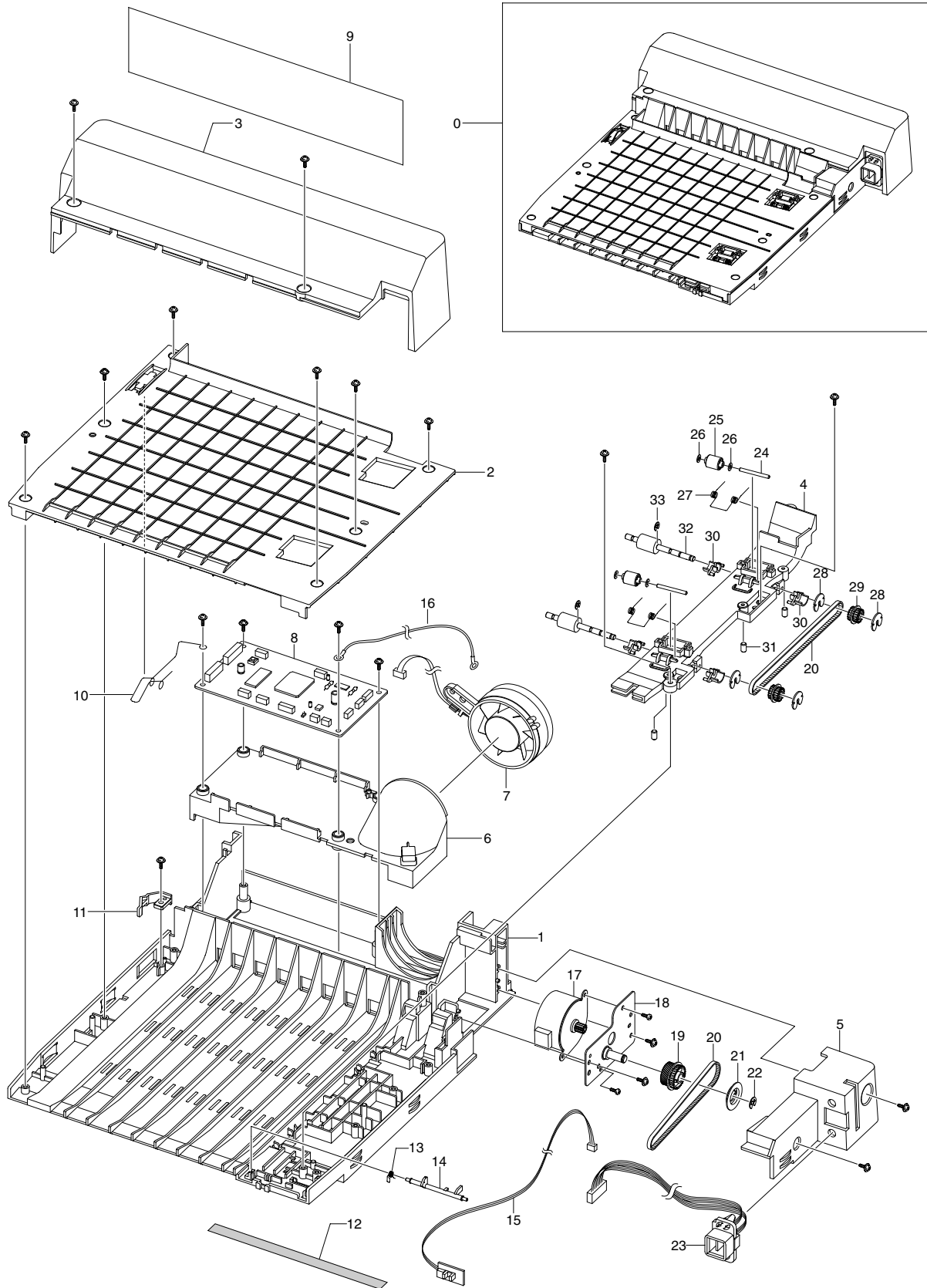




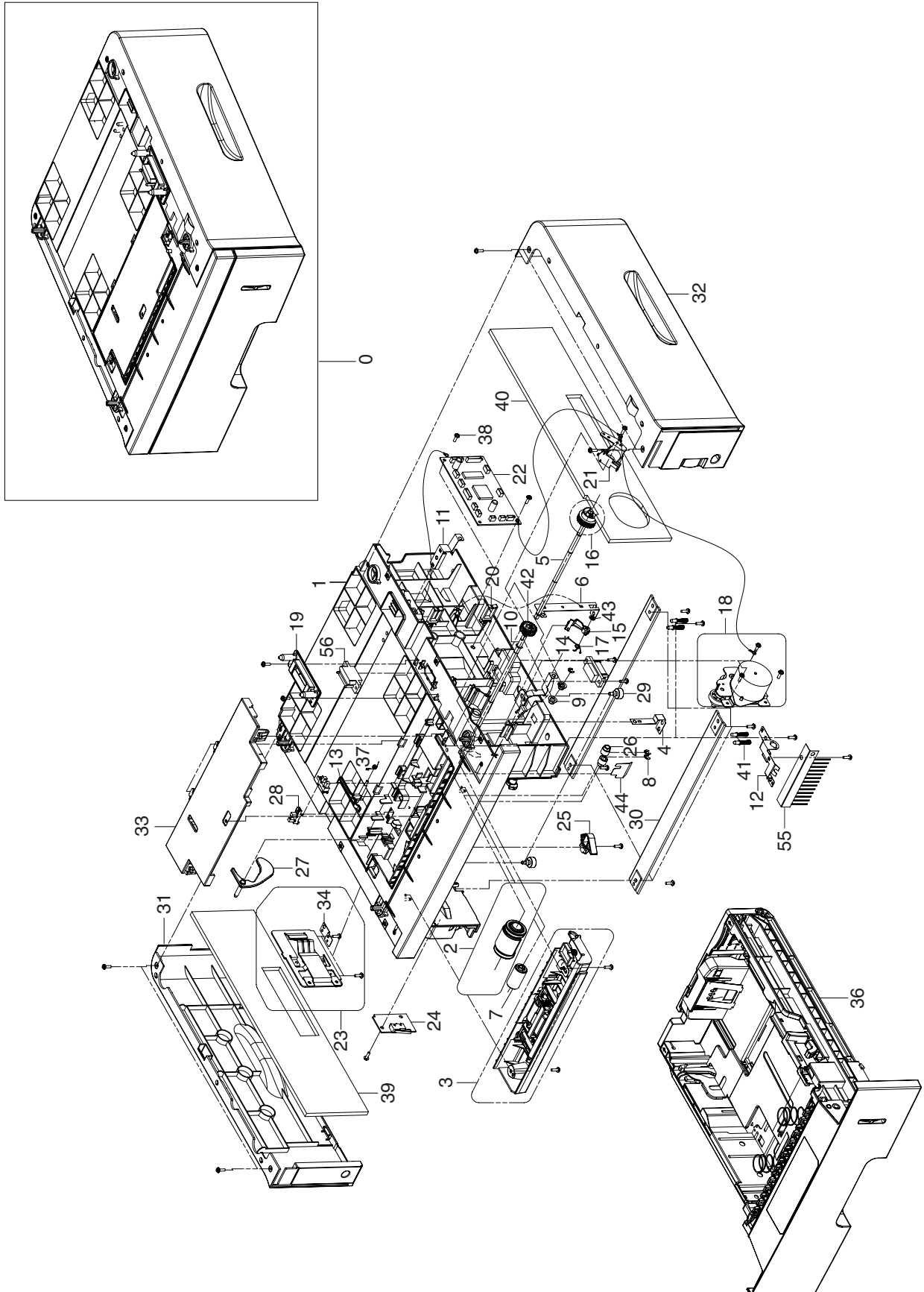
## 7.9 Cassette Assembly



## 7.10 Duplex Unit



## 7.11 SCF Unit



## Service Parts List (Model code : ML-4550/XEU)

SA : SERVICE AVAILABLE SNA : SERVICE not AVAILABLE DNA : DELIVERY not AVAILABLE

Drawer#	SEC-Code	Description & Specification	Location	Service
7.1-1	JC96-04004B	ELA UNIT-FRAME BASE;ML-4550,XEROX/SEC,-,		SA
7.1-2	JC96-04064A	ELA HOU BASE-HOUSING;ML-4550,SEC,110V/22		SNA
7.1-3	JC97-02230B	MEA UNIT-KNOCK UP MP;ML-3560,SEC,-,110V/	G0470	SA
7.1-3-1	JC61-01251B	PLATE-M_KNOCK UP MP;ML-3560,ABS,T2.2,W11	W3027	SA
7.1-3-2	JC74-00011A	MPR-PAD KNOCK UP MP;ML-6060A,CR+CORK,10*	O1109	SA
7.1-3-3	JC72-01006B	PMO-SIDE GUIDE MP(R);ML-2150/XRX,HIPS,G6	G2301	SA
7.1-3-4	JC72-01005B	PMO-SIDE GUIDE MP(L);ML-2150/XRX,HIPS,G6	G2299	SA
7.1-3-5	JG66-40003A	GEAR-PINION;SF4000,POM,WHT,M1,Z16	O1127	SA
7.1-3-6	JC66-00895A	SHAFT-REINFORCEMENT;ML-3560,SUM22+NI,L24		SNA
7.1-4	JC97-02231A	MEA UNIT-COVER MP_SEC;ML-3560,SEC,-,110V	E4062	SA
7.1-4-1	JC63-00695A	COVER-M-MP_SEC;ML-3560,ABS,T2.5,W182.3,L		SNA
7.1-4-2	JC63-00691B	TRAY-M_EXTEND_MP;ML-3560,HIPS,T2.5,W147.	K4281	SA
7.1-5	JC63-00694B	TRAY-M_LINK MP(L);ML-3560,ABS,T2.0,W23.2	K4282	SA
7.1-6	JC63-00689B	TRAY-M_LINK MP(R);ML-3560,ABS,T2.0,W23.2	K4283	SA
7.1-7	JC66-00540B	ROLLER-TRANSFER;ML-3560,NBR Foam,¥Ö17.8,		SA
7.1-8	JC96-01729A	ELA UNIT-HOLDER TR R;ML-6060A,SAMSUNG,SE	K3139	SA
7.1-8-1	JC72-41142A	PMO-BUSHING TR;ML-5000A,POM(CF-610,CH-15		SNA
7.1-8-2	JC61-00046A	SPRING ETC-TR R HAWK;ML-6060A,SUS 304 WP		SNA
7.1-8-3	JC72-41145C	PMO-TRANSFER HOLDER R;ML-6060A,ABS,VIOLE		SNA
7.1-8-4	JC70-11053A	IPR-PLATE TR;ML-5000A,PB(C5210P)-,T0.15		SNA
7.1-9-3	JC72-41145F	PMO-TRANSFER HOLDER L;ML-4550,ABS,EMBER		SA
7.1-10	JC72-41292B	PMO-CAP TR;ML-3560,POM,C75064,45.4*6.6,M	Z0015	SA
7.1-11	JC66-00039A	GEAR-TR29;ML-6060A,POM,BLK,0.6,29	G0439	SA
7.1-12	JC96-03959A	ELA UNIT-REGI;ML-4550,SEC,-,-,-,-,-		SA
7.1-13	JC66-00420A	GEAR-REGI Z25;ML-2150,M90-44,0.8,25,5.6,	G0415	SA
7.1-14	JC67-00039A	CAP-M-GEAR;ML-2150,POM,-,-,-,BLK,-	C1013	SA
7.1-15	JC96-04066A	ELA UNIT-LSU;ML-4550,-,-,45PPM,600DPI,DU		SA
7.1-16	JC96-03426A	ELA UNIT-EXIT SOL;ML-3560,XOG/SEC,USA,UN	K3059	SA
7.1-17	JC96-03408A	ELA UNIT-DEVE MOTOR;ML-3560,XOG/SEC,USA,	K3057	SA
7.1-18	JC96-04063A	ELA UNIT-MAIN;ML-4550,SEC,USA,-,-,-,-		SA
7.1-19	JC96-04109A	ELA HOU-MAIN;ML-4550,SEC,EXPORT,MAIN+DIM		SNA
7.1-19-1	JC92-01823A	PBA MAIN-CONTROLLER;ML-4550,SEC,EXPORT,4		SA
7.1-19-2	JC92-01824A	PBA MAIN-DIMM;ML-4550,SEC,EXPORT,DDR2_SO		SA
7.1-20	JC97-02226A	MEA UNIT-GEAR PICK UP;ML-3560,XOG/SEC,US	G0468	SA
7.1-20-1	JC66-00870A	GEAR-M-PICK UP CAM;ML-3560,POM,0.8,27,-,		SNA
7.1-20-2	JC66-00876A	GEAR-M-PICK UP;ML-3560,POM,0.8,27,-,WHT,		SNA
7.1-20-3	JC61-00003A	SPRING ETC--CAM MP;ML-6100,SUS304-WPB,0.	S0020	SA
7.1-21	JC97-01738A	MEA UNIT-GEAR P/UP MP CARDINA;ML-2150,-,	G0467	SA
7.1-21-1	JC66-00424A	GEAR-MP HOLDER_CAM;ML-2150,M90-44,0.8,37	H4008	SA
7.1-21-2	JC66-00423A	GEAR-MP PICK_UP;ML-2150,POM(M90-44),0.8,	P2055	SA
7.1-22	JC66-10202A	BEARING-PICK UP;ML-80,POM,-,-,-	B0003	SA
7.1-23	JC61-00755A	BRACKET-P-SHAFT MP;ML-2150,SECC,1.2,-,-,	S4013	SA
7.1-24	JC61-01735A	HOLDER-FAN;ML-4550,PC,-,W89.3,PHI61,BLAC		SA
7.1-25	JC33-00012A	SOLENOID-MAIN;DLH-34L008-07,ML-2150,24V,	S8015	SA
7.1-26	JC33-00016A	SOLENOID-MP;-ML-3560,24V,80 OHM,41.4X21	S8016	SA
7.1-27	JC96-04121A	ELA UNIT-DEVE_ERASER;ML-4550,SEC,-,110V/		SA
7.1-28	JC63-01133A	SHIELD-SMPS;ML-4550,SECC,0.8T,W250,L210,		SNA
7.1-29	JC96-04003B	ELA HOU-SMPS_HVPS_V2;ML-4550,XEROX/SEC,-		SA
7.1-30	JC71-00042A	BAR-P_CROSS BOTTOM;ML-2150,SECC T1.0,-,-	K2861	SA
7.1-31	JC31-00070A	FAN;AD0824MS-A76GL,ML-4550,PBT,-,3PIN,NO		SA
7.1-32	JC61-00667A	STOPPER-M-FAN80;ML-2150,ABS,-,-,-,BLK,HB	F5029	SA
7.1-33	JC61-01760A	HOLDER-ERASER;ML-4550,PC,T1.5,W12,L224,B		SA
7.1-34	JC96-03963A	ELA UNIT-DEVE;ML-D4550A/SEE,SAMSUNG,EXP,		SNA

SA : SERVICE AVAILABLE SNA : SERVICE not AVAILABLE DNA : DELIVERY not AVAILABLE

Drawer#	SEC-Code	Description & Specification	Location	Service
7.1-35	JC96-04015A	ELA UNIT-CASSETTE;ML-4550,SEC,-,110V/220		SA
7.1-36	JC92-01839A	PBA-ERASE_LAMP;ML-4550,SEC,-,FR1,-,-,2		SNA
7.1-38	JC31-00050A	FAN;AD0424HB-C56,CLP-600,PBT+GF,-,3PIN,N		SA
7.2-1	JC96-03978A	ELA UNIT-COVER TOP;ML-4550,SEC,-,110V/22		SA
7.2-1-1	JC63-00699A	COVER-M_TOP;ML-3560,ABS,T2.5,W396.0,L426		SA
7.2-1-2	JC63-01101A	COVER-M_OPEN;ML-4550,ABS,T2.5,W395.9,L22		SA
7.2-1-3	JC72-01367A	PMO-STACKER_RX;ML-3560,ABS,WHT,W93.8*L53		SA
7.2-1-5	JC61-00656A	STOPPER-M-HINGE OPEN;ML-2150,ABS,-,-,-,-	H3073	SA
7.2-1-6	JC63-01100A	COVER-OP PANEL;ML-4550,ABS,T2.0,W100.9,L		SA
7.2-1-7	JC67-00147A	LENS LED-M_STATUS;ML-3051ND,PMMA(ACRYL),		SNA
7.2-1-8	JC75-00095A	MEC-BRUSH ANTISTATIC;ML-6060A,SEC,NTR	M0022	SA
7.2-1-9	JC92-01825B	PBA SUB-PANEL;ML-4550,SEC,EXPORT,PANEL,-		SA
7.2-1-10	JC64-00265A	KEY-M_BUTTON;ML-4550,ABS,85.0*53.8,HB,SO		SA
7.2-1-11	JC64-00236A	KEY-M_STOP;ML-3051ND,ABS,12.6*10,HB,SOFT		SNA
7.2-1-12	JC64-00047A	KEY-M-SAVE MODE;ML-2150,ACRYL,-,-,NATURA	K0049	SA
7.2-1-13	JC64-00194A	WINDOW-M-LCD;ML-3560,PC,T1.5,W51.0,L84.7	K4285	SA
7.2-1-14	JC63-00836A	GROUND-P-TOP_COVER;ML-3560,C5210P 1/2H,T	G0440	SA
7.2-2	JC63-00684B	COVER-M_LEFT;ML-3560,ABS,T2.5,W425.0,L32	H1292	SA
7.2-3	JC63-00701B	COVER-M_RIGHT;ML-3560,ABS,T2.5,W425.0,L3	H1294	SA
7.2-4	JC63-00702B	COVER-M_CONTROL BOX;ML-3560,ABS,T2.5,W21	H1288	SA
7.2-5	JC63-00685B	COVER-M_FRONT INNER;ML-3560,HIPS,T2.5,W3	H1291	SA
7.2-6	JC97-02232B	MEA UNIT-COVER REAR;ML-3560,SEC,-,110V/2	E4063	SA
7.2-6-1	JC63-00703B	COVER-M_REAR;ML-3560,ABS,T2.5,W300.8,L19	H1293	SA
7.2-6-2	JC72-01357A	PMO-STACKER REAR;ML-3560,ABS,WHT,W289.4*	L6054	SA
7.2-6-3	JC70-00007A	ICT-BRKT REAR COVER;ML-7000,SPCC,-,T1.2,		SNA
7.2-6-4	JC61-01217A	GUIDE-M_EXIT;ML-3560,PET+GF30%,FR530,T2.	G0441	SA
7.2-6-5	JC72-01359A	PMO-STRIPE;ML-3560,PE BOX 7033,NATURAL,T	L6056	SA
7.2-6-6	JC70-20901A	IEX-SHAFT IDLE,F/UP;ML-5000A,SUS304,-,PI	D2149	SA
7.2-6-7	JC72-20902A	PEX-ROLLER F/UP(2);ML-5000A,TEFLON,WHT,-	O1106	SA
7.2-6-9	JC68-01526A	LABEL(P)-JAM REMOVAL;COMMON,-,WHITE POLY		SNA
7.2-7	JC63-00696B	COVER-M_FRAME EXIT;ML-3560,ABS,T2.5,W75.	H1290	SA
7.2-8	JC97-02389B	MEA UNIT-COVER DUMMY;ML-3560,SEC,-,110V/	E4061	SA
7.2-8-1	JC72-01374A	SPONGE-COVER DUMMY;ML-3560,POLY URETHANE		SNA
7.2-8-2	JC63-00697B	COVER-M_DUMMY DUP;ML-3560,ABS,T2.0,W53.2	H1289	SA
7.3-1	JC61-01206A	FRAME-M_BASE;ML-3560,PC,NH-1035P,5V,BLK,		SNA
7.3-2	JC97-02649A	MEA UNIT-PICK UP MP;ML-4550,XEROX/SEC,-,		SA
7.3-2-1	JC66-01265A	SHAFT-PICK UP MP;ML-4550,SUM22+NI/PC+ABS		SA
7.3-2-2	JC72-01003A	PMO-IDLE PICK UP MP;ML-2150,POM,WHITE,-,	P0042	SA
7.3-2-3	JC66-00893A	CAM-M-SHAFT;ML-3560,POM,T1.5,"a10.95*8.3	P2043	SA
7.3-2-4	JC96-02686B	ELA UNIT-ROLLER P/UP MP;ML-3560,XEROX/SE	K3144	SA
7.3-2-4-1	JC61-00705A	HOLDER-M-PICKUP MP;ML-2150,POM,-,-,-,BLK	P2062	SA
7.3-2-4-2	JC61-00685A	HOUSING-M-PICK UP MP;ML-2150,PC+ABS,-,-,	H0025	SA
7.3-2-4-3	JC73-00224A	RUBBER-PICK UP MP;ML-3560,IR,D29.8,35,27	C4024	SA
7.3-3	JC97-02238A	MEA UNIT-GEAR IDLE;ML-3560,XOG/SEC,USA,M	E4065	SA
7.3-3-1	JC61-01200A	BRACKET-P-GEAR IDLE;ML-3560,SECC,1.2,118		SNA
7.3-3-2	JC66-00872A	GEAR-FUSER IDLE 3;ML-3560,POM,1,53,-,WHT		SNA
7.3-3-3	JC66-00859A	GEAR-M-FUSER IDLE 2;ML-3560,POM,1,33,-,W		SNA
7.3-3-5	JC66-00868A	CLUTCH-M-HUB;ML-3560,POM,-,WHT,CLUTCH HU		SNA
7.3-3-6	JC66-01155A	GEAR-FUSER RDCN OUT V;ML-3560,HTNFR52G30		SNA
7.3-3-7	6044-000231	RING-E;ID5.0,OD11.0,T0.6,PASS,STS304	R0006	SA
7.3-4	JC96-03403A	ELA HOU BASE-HOLDER;ML-3560,XEROX,-,110V	H1297	SA
7.3-4-1	JC61-01248A	FRAME-M-HOLDER PAD;ML-3560,HIPS,-,HB,BLK		SNA
7.3-4-2	JC61-00684A	HOLDER-M-PAD;ML-2150,PC,-,-,-,BLK,-	H4029	SA
7.3-4-2	JC61-01229A	HOLDER-M-PAD;ML-3560,ABS,2.5,12.7,51,BLA		SNA
7.3-4-3	JC73-00132A	RPR-FRICTION PAD MP;ML-2150,NBB,53*9.8*T	R0019	SA
7.3-4-4	JC61-00387A	SPRING ETC-PAD;ML-9400W,SUS304WPB,PI0.5,	S0028	SA
7.3-4-5	JC72-01365A	PMO-ACTUATOR EMPTY MP;ML-3560,PC,BLK,42.	W3028	SA

SA : SERVICE AVAILABLE SNA : SERVICE not AVAILABLE DNA : DELIVERY not AVAILABLE

Drawer#	SEC-Code	Description & Specification	Location	Service
7.3-4-6	JC61-70965A	SPRING ETC-EMPTY;ML-6000,SUS304-WPB,PI0.	O1099	SA
7.3-4-7	0604-001095	PHOTO-INTERRUPTER;TR,90%,150mW,DIP-4,BK	P0013	SA
7.3-4-7	0604-000165	PHOTO-INTERRUPTER;TR,-,-,-,BK	K3805	SA
7.3-4-7	0604-001210	PHOTO-INTERRUPTER;TR,-,200mW,DIP-4,ST		SNA
7.3-4-7	0604-001230	PHOTO-INTERRUPTER;OPIC,-,-,-,BK		SA
7.3-4-8	JC39-00451A	CBF HARNESS-MP_EMPTY;ML-3560,CBF,UL 1061	H1253	SA
7.3-5	JC97-01034A	MEA RACK-EXIT ROLLER;ML-1605,SUMSUNG,KOR	E4060	SA
7.3-5-1	JC72-41006A	PMO-HOLDER EXIT ROLL;ML-165,PC,BLK,HB,-	E4126	SA
7.3-5-2	JC72-41007A	PMO-ROLLER FD F;ML-165,POM,BLACK,-,-,-,-	P0048	SA
7.3-5-3	JC72-41008A	PMO-ROLLER FD R;ML-165,POM,BLACK,-,-,-,-	P0049	SA
7.3-5-4	JC61-70911A	SPRING ETC-EXIT ROLL FD;ML-165,SUS304 WP	O1053	SA
7.3-6	JC66-00883A	ROLLER-EXIT_F/DOWN;ML-3560,SUM+EPDM,D16,	D4089	SA
7.3-8	JC72-01310A	PMO-ACTUATOR OUTFULL;ML-2150,POM,BLK,-,V	K3819	SA
7.3-9	JC66-00674A	GEAR-M-EXIT Z17;ML-2550,M90-44,1.0,17,¥Ö	G0331	SA
7.3-12	JC61-01262A	BUSH-M_EXIT D7;ML-3560,POM,D7,D9,7,BLK,-	S4014	SA
7.3-13	JC66-00854A	GEAR-M-EXIT DUP Z21;ML-3560,POM,1,21,-,W	G0200	SA
7.3-14	JC96-02127A	ELA HOU-CST SENSOR HAWK16;ML-7250,XEROX,	Z2263	SA
7.3-14-1	JC92-01336A	PBA SUB-CASSETTE;ML-1650,KOREA/EXPORT,-,		SNA
7.3-14-2	JC70-00192A	IPR-PLATE SENSOR;ML-7250,SUS301,-,0.2T,-	S3058	SA
7.3-14-3	JC70-00195A	IPR-BRACKET SENSOR;ML-7250,SECC,-,1.0T,-	S3055	SA
7.3-15	JC39-00261A	CBF HARNESS-SENSOR;ML-2150,CBF,UL 1061,4	H1242	SA
7.3-16	JC61-00675A	GUIDE-P_REGI UPPER;ML-2150,SECC,1.2T,-,-	G2082	SA
7.3-17	JC61-70918A	SPRING ETC-LEVER;ML-165,SUS304 WPB,PI0.5	L4097	SA
7.3-19	JC61-00691A	GUIDE-PLATE PAPER;ML-2150,SECC,T0.6,-,-,	G2091	SA
7.3-20	JC70-00339A	IPR-P_GROUND PLATE PAPER;ML-2150,SUS304	P5064	SA
7.3-23	JC39-00458A	CBF HARNESS-THERM;ML-3560,CBF,UL 1061,2P	H1256	SA
7.3-24	JC61-01581A	HOUSING-M_TERMINAL;ML-3560,PET+GF30% FR5		SNA
7.3-25	JC65-00013A	TERMINAL-P-FUSER;ML-3560,C5210P ZINC COA	K4277	SA
7.3-26	JC39-00456A	CBF HARNESS-FUSER;ML-3560,CBF,UL 3122,2P	H1249	SA
7.3-27	JC67-00099A	CAP-M-HOUS_TERM;ML-3560,PC NH1035P,1.5,9		SNA
7.3-28	JC63-01132A	SHIELD-CTRL;ML-4550,SECC,T0.6,W195.4,L18		SA
7.3-29	JC63-00677A	GROUND-P-MOTOR_DEVE;ML-3560,C5210P,T0.2,		SNA
7.3-30	JC63-00669A	GROUND-P_GUIDE TR;ML-3560,C5210P,T0.2,10		SNA
7.3-31	JC63-00672A	GROUND-P-REGI_ROLLER;ML-3560,C5210P,T0.2		SNA
7.3-32	JC63-00678A	GROUND-P-PICK_UP_MP;ML-3560,C5210P,T0.2,		SNA
7.3-33	JC63-00673A	GROUND-P-SCF_MAIN;ML-3560,C5210P,T0.2,26		SNA
7.3-34	JC63-00671A	GROUND-P-MOTOR_MAIN;ML-3560,C5210P,T0.2,		SNA
7.3-35	JC63-00680A	GROUND-P-GUIDE_DUP;ML-3560,C5210P,T0.2,1		SNA
7.3-36	JC67-00093A	CAP-M-GUIDE_HARNESS;ML-3560,ABS HF06601,		SNA
7.3-37	JC72-01356A	PMO-DUMMY_DEVE;ML-3560,ABS,BLK,68.4*31.6	Z0016	SA
7.3-38	JC96-01772A	ELA HOU-VARISTOR;ML-6060,NEC/SEC,110/220	K3053	SNA
7.3-39	JC61-40001A	FOOT-ML80;ML-80,NBR,-,GRAY,-,-,-	F0003	SA
7.3-40	JC72-01355A	PMO-REMOVE_LOCK_CST;ML-3560,POM,BLK,36*3	L6040	SA
7.3-43	JC72-41191B	PMO-BEARING SHAFT;ML-2150,POM,BLK,-,DE89	P0032	SA
7.3-47	JC96-03960A	ELA HOU-FRAME_LSU_LO;ML-4550,XEROX/SEC,-		SA
7.3-47-1	JC61-01732A	FRAME-PART_UPPER;ML-4550,ABS,-,HB,BLK,2.		SNA
7.3-47-2	JC92-01807A	PBA SUB-TONER_SENSOR;ML-4550,SEC,EXPORT,		SA
7.3-47-3	JC65-00004A	TERMINAL-P_DEVE;ML-2060,SUS304WPB,-,-,PI	T2175	SA
7.3-47-4	JC92-01730A	PBA SUB-COVER OEPN;ML-3560,SEC,KOREA,-,-	M0443	SA
7.3-47-5	JC67-00095A	CAP-M_COVER_OPEN;ML-3560,POM(M90-44),1.5		SNA
7.3-48	JC96-03425A	ELA UNIT-FEED3X5;ML-3560,XEROX,-,110V/22	K3062	SA
7.3-48-1	JC61-01240A	HOLDER-M-SAW;ML-3560,PC,1.5,27.5,204,BLA		SNA
7.3-48-2	JC61-01235A	GUIDE-P-TRANSFER_FRONT;ML-3560,SECC,0.6,		SNA
7.3-48-3	JC61-01236A	PLATE-P-SAW;ML-3560,SUS304CSP,0.15,14.5,		SNA
7.3-48-4	JC66-00889A	SHAFT-M_ROLLER_BELT;ML-3560,PC,170,10,BL		SNA
7.3-48-5	JC66-00887A	ROLLER-M_IDLE_BELT;ML-3560,POM,4.8,9.6,N		SNA
7.3-48-7	JC73-00206A	RUBBER-BELT_FEED;ML-3560,EP+NR,L=62,30,5	C4020	SA

SA : SERVICE AVAILABLE SNA : SERVICE not AVAILABLE DNA : DELIVERY not AVAILABLE

Drawer#	SEC-Code	Description & Specification	Location	Service
7.3-48-8	JC61-01239A	GUIDE-M SHAFT_BELT;ML-3560,POM,0.6,10,6.		SNA
7.3-49	JC96-04016A	ELA UNIT-ROLLER_IDLE;ML-4550,SEC,-,110V/		SA
7.3-49-2	JC61-00635A	HOUSING-M-RETARD;ML-2150,POM(M90-44),-,-	H6035	SA
7.3-49-3	JC73-00207A	RUBBER-RETARD;ML-3560,IR,19.5,35,30,YELL	C4026	SA
7.3-49-4	JC72-00993A	PMO-HUB OUT RETARD;ML-2150,POM,BLK,-,M90	K4021	SA
7.3-49-5	JC66-01273A	SHAFT-IDLE_FEED;ML-4550,SUM22+NI,58,6,-,		SA
7.3-49-6	JC64-00271A	SHUTTER-PATH_FEED;ML-4550,POM,-,26.5,47.		SA
7.3-49-7	JC61-01550A	STOPPER-SPACER;ML-3560,PC,T0.5,-,-,BLACK		SNA
7.3-49-9	JC61-01741A	HOLDER-IDLE_FRONT;ML-4550,PC,2.5,55.5,56		SA
7.3-49-10	JC61-00652A	BUSH-M-RETARD;ML-2150,POM(DE-8903),-,-,-	K2883	SA
7.3-49-11	JC61-00013A	SPRING ETC-PAD;SF-5100,SUS304WPB,0.5,-,-		SNA
7.3-49-12	JC61-01739A	HOLDER-IDLE_REAR;ML-4550,ABS,2.5,29.5,73		SA
7.3-49-14	JC64-00270A	SHUTTER-TENSION;ML-4550,SUS 304 WPB(Ni-C		SA
7.3-50	JC96-03421A	ELA UNIT-FEED2_IDLE;ML-3560,XEROX,-,110V	K3060	SA
7.3-50-1	JC61-01242A	HOLDER-IDLE_FEED2;ML-3560,ABS,2.5,17.4,6		SNA
7.3-50-2	JC67-00105A	CAP-M_IDLE_FEED2;ML-3560,POM,2,9,21.6,NT		SNA
7.3-50-5	JC66-00912A	SHAFT-IDLE_FEED2;ML-3560,SUM22+NI,52,6,-	S4108	SA
7.3-50-6	6044-000125	RING-E;ID4,OD9,T0.6,PASS,STSC	R0004	SA
7.3-50-7	JC66-00892A	ROLLER-M_IDLE_FEED2;ML-3560,POM,17,35.5,		SNA
7.3-51	JC61-01250A	STOPPER-M-KNOCK UP MP_L;ML-3560,POM,T2.5	H3074	SA
7.3-52	JC61-01249A	STOPPER-M-KNOCK UP MP_R;ML-3560,POM,T2.5	H3075	SA
7.3-53	JC61-01252A	RAIL-M-LEFT_DUP;ML-3560,POM,T2.0,W7.4,L1	L6057	SA
7.3-54	JC61-01253A	RAIL-M-RIGHT_DUP;ML-3560,POM,T2.0,W10.0,	L6058	SA
7.3-56	JC66-01262A	GEAR-FEED;ML-4550,POM,0.8,26,-,PURPLE,22		SNA
7.3-57	JC72-01362A	PMO- M CAM_PICK_UP;ML-3560,POM,NTR,-,M90		SNA
7.3-58	JC72-00991A	PMO-ACTUATOR EMPTY;ML-2150,POM,BLK,-,-,-	K3816	SA
7.3-59	JC96-03422A	ELA UNIT-PICK UP;ML-3560,XEROX,-,110V/22	K3141	SA
7.3-59-1	JC66-00910A	SHAFT-PICK UP;ML-3560,SUM22+NI,196,6,-,-	S4118	SA
7.3-59-2	JC97-02233A	MEA UNIT-P/UP_HOUSING;ML-3560,XEROX,-,11	G0471	SA
7.3-59-2-1	JC72-01361A	PMO-M_IDLE-PICK UP;ML-3560,POM,NTR,29.8,	L6039	SA
7.3-59-2-2	JC61-01238A	HOUSING-M-PICK UP;ML-3560,ABS,2.0,28.8,5		SNA
7.3-59-2-3	JC73-00223A	RUBBER-PICK_UP;ML-3560,IR,29,35,28,YELLO	C4025	SA
7.3-59-3	JC61-01579A	HOLDER-P-REGI;ML-3560,BRONZE SINTERED,-,		SNA
7.3-59-4	JC66-00911A	SHAFT-FEED1;ML-3560,SUM22+NI,214.5,6,-,-	C4028	SA
7.3-59-5	JC81-03458A	AS-UNIT_FEED1;ML-3560,-,-,110V/220V,SVC,	K2860	SA
7.3-59-5-1	JC61-01237A	HOUSING-M-FEED1;ML-3560,ABS,2.5,15.5,33.		SNA
7.3-59-5-2	JC73-00208A	RUBBER-FEED1;ML-3560,IR,17.85,35,30,YELL	C4022	SA
7.3-59-6	JC63-00674A	GROUND-P-PICK_UP_MAIN;ML-3560,C5210P,0.2		SNA
7.3-59-8	JC72-00382B	PMO-BUSHING FEED;ML-1710,POM(DERLIN 8903	O1102	SA
7.3-59-9	JC61-01234A	GUIDE-P-FRONT-DUP-PICKUP;ML-3560,SECC,1.		SNA
7.3-59-10	JC61-01233A	GUIDE-M SUPPORT-PICKUP;ML-3560,ABS, GF20		SNA
7.3-60	JC96-04119A	ELA UNIT-FEED;ML-4550,SEC,-,110V/220V,-,		SA
7.3-61	JC92-01704A	PBA SUB-JOINT;ML-3560,SEC,USA,KESTREL,JO	M0448	SA
7.3-62	JC39-00441A	CBF HARNESS-TRAY OUT;ML-3560,CBF,UL 1061	H1257	SA
7.3-63	JC67-00094A	CAP-M_POWER;ML-3560,PC NH-1035P,2,55.5,4		SNA
7.3-64	JC39-00624A	HARNESS-INLET;ML-4550,CBF,UL 1617 / UL 10		SA
7.3-65	JC66-00888A	SHAFT-M BELT_GEAR;ML-3560,PC,32.2,8,BLAC		SNA
7.3-68	JC67-00092A	CAP-M-DEVE_MOTOR;ML-3560,ABS G/F20 GR402		SNA
7.3-69	JC39-00449A	CBF HARNESS-DUPLEX;ML-3560,CBF,UL 1061,8		SNA
7.3-71	JC67-00036A	CAP-M-WIRE PTL LOWER;ML-2150,POM,-,-,-,B	C1015	SA
7.3-72	JC65-00001A	TERMINAL-P_PTL;ML-2060,SUS301 3/4H,-,-,T	K4276	SA
7.3-73	JC92-01516A	PBA SUB-PTL2;ML-2150,SEC,KOREA,PTL2,-,-,	M0411	SA
7.3-76	JC92-01512B	PBA SUB-EXIT SENSOR;ML-3560,SEC,KOREA,EX	M0445	SA
7.3-77	JC92-01261C	PBA SUB-FUSER SW;ML-3560,SEC,KOREA,FUSER	M0447	SA
7.3-78	JC61-01218A	GUIDE-M-FRONT;ML-3560,PET+GF30%,FR530,2,	G0442	SA
7.3-81	JC72-00317A	PMO-GUIDE DEVE L;ML-6060A,POM,-,-,-,-,-,	T2158	SA
7.3-82	JC72-00318A	PMO-GUIDE DEVE R;ML-6060A,POM,-,-,-,-,-,	T2159	SA



SA : SERVICE AVAILABLE SNA : SERVICE not AVAILABLE DNA : DELIVERY not AVAILABLE

Drawer#	SEC-Code	Description & Specification	Location	Service
7.3-83	JC61-70932A	SPRING ETC-GUIDE DEVE;ML-5000A,-,D4.3,-,	Z4159	SA
7.3-84	JC65-00008A	TERMINAL-P-TR_KESTREL;ML-3560,C5210P,-,-	K4278	SA
7.3-86	JC65-00009A	TERMINAL-SPRING_TR;ML-3560,STS304WPB,-,-	K4279	SA
7.3-89	JC63-00679A	GROUND-P-ZENER;ML-3560,C5210P,T0.2,26.6,		SNA
7.3-90	JC63-00676A	GROUND-P-FUSER;ML-3560,SUS301,T0.2,32.2,		SNA
7.3-91	JC65-00006A	TERMINAL-P_HV CARDINAL;ML-2060,SUS304 1/	K4272	SA
7.3-92	JC97-01401A	MEA UNIT-TERMINAL:TR;ML-5000A,SAMSUNG,KO		SA
7.3-93	JC39-00625A	HARNESS-HVPS;ML-4550,CBF,UL 1617/3239,5P		SA
7.3-94	JC70-00332A	IPR-P_GROUND OPC;ML-2150,SUS301 3/4H,-,0	O0020	SA
7.3-95	JC92-01831A	PBA SUB-EMPTY;ML-4550,SEC,EXPORT,-,-,-,-		SA
7.3-96	JC39-00620A	HARNESS-SENSOR;ML-4550,CBF,UL 1061,6PIN,		SA
7.3-97	JC92-01262C	PBA SUB-FEED SENSOR;ML-3560,SEC,KOREA,FE	M0446	SA
7.3-98	JC67-00098A	CAP-M_HV;ML-3560,PC 5V NH-1035P,1.5,95.0		SNA
7.3-99	JC67-00097A	CAP-M_SENSOR_FEED;ML-3560,PC NH1035P,1.5		SNA
7.4-0	JC96-03957B	ELA UNIT-FUSER;ML-4550,-,-,220V,-,-,-		SA
7.4-1	JC96-03958B	ELA UNIT-FUSER_UPPER;ML-4550,-,-,220V,-,		SNA
7.4-1-2	JC71-00056A	ELECTRODE-P-FU_L_08;ML-3560,T0.8,20.2,32		SNA
7.4-1-4	JC72-41012C	PMO-GUIDE CLAW GREEN;ML-3560,PEEK,BLK,T1	Z0018	SA
7.4-1-5	6107-001159	SPRING-TS;SUS304,-,PI0.45,D3.85,L20,-,W1	Z4394	SA
7.4-1-5	6107-001160	SPRING-TS;SUS304,-,PI0.45,D5.45,L19.8,-,		SA
7.4-1-8	JC61-01215A	HOLDER-M-LEVER_L;ML-3560,PC,NH1023XD,T1.		SNA
7.4-1-9	JC61-00785A	HOLDER-M-IDLE ROLLER;ML-2150,PC,-,-,-,BL	H4027	SA
7.4-1-10	JC72-40981A	PMO-ROLLER UPPER DP;ML-165,POM,WHT,HB,-	K4068	SA
7.4-1-12	JC61-01216A	HOLDER-M-LEVER_R;ML-3560,PC,NH1023XD,T1.		SNA
7.4-1-13	JC71-00052A	ELECTRODE-P-SUPPORT;ML-3560,T0.2,-,D27.6		SNA
7.4-1-15	6003-000196	SCREW-TAPTITE;PWH,+ ,B,M3,L10,NI PLT,SWRC	Z4397	SA
7.4-1-15	6003-000264	SCREW-TAPTITE;PWH,+ ,B,M3,L6,ZPC(YEL),S		SNA
7.4-1-15	6003-000269	SCREW-TAPTITE;BH,+ ,S,M3,L6,ZPC(YEL),SW		SA
7.4-1-15	6003-000301	SCREW-TAPTITE;BH,+ ,S,M4,L6,ZPC(YEL),SWRC		SNA
7.4-1-15	6003-001256	SCREW-TAPTITE;BH,+ ,B,M4,L10,NI PLT,SWRCH		SNA
7.4-1-15	6003-000266	SCREW-TAPTITE;PWH,+ ,S,M3,L6,ZPC(YEL),SWR		SNA
7.4-1-15	6003-000282	SCREW-TAPTITE;BH,+ ,B,M3,L8,ZPC(BLK),SW		SA
7.4-1-16	JC66-01268B	ROLLER-HEAT;ML-4550,AL PIPE t1.0mm,40mm,		SNA
7.4-1-17	6601-001346	BEARING-BALL;6809 2Z,ID45,OD58,L7,GCR5,0	K2862	SA
7.4-1-17	6601-001384	BEARING-BALL;676ZZ,ID6,OD10,L3,GCr 15 +		SNA
7.4-1-17	6601-001389	BEARING-BALL;MR128ZZ,ID8,OD12,L3.5,-,-		SA
7.4-1-19	JC61-01260A	BUSH-M_HR;ML-3560,PPS,RBA313N,D39.95,D44	S4015	SA
7.4-1-22	JC71-00051A	ELECTRODE-FU;ML-3560,T5.5,-,D28,SME19		SNA
7.4-1-24	JC67-00111A	CAP-M_ACTUATOR_UP;ML-3560,PC+GF20%,HF320		SNA
7.4-1-25	JC63-00726A	COVER-M-REAR GUIDE UP;ML-3560,NYLON+GF25		SNA
7.4-1-26	JC71-00055A	ELECTRODE-P-SU CARBON;ML-3560,T0.2,8.5,9		SNA
7.4-1-28	JC61-01284A	HOLDER-P-SL CONNECTOR;ML-3560,SUS301 3/4		SNA
7.4-2-1	JC61-01213A	BRACKET-P-FUSER;ML-3560,SECC,T1.2,35.5,4		SNA
7.4-2-3	JC66-00869A	GEAR-M-IDLE 25;ML-3560,POM,1,25,-,WHT,27		SNA
7.4-3	JC97-02630A	MEA UNIT-FUSER_LOWER;ML-4550,-,-,-,-,-		SNA
7.4-3-1	JC66-00931A	ROLLER-PRESSURE;ML-3560,STKM+LTV+PFA TUB	K4222	SA
7.4-3-3	6107-000103	SPRING-CS;STS304-WPB,DEGRE,PI0.45,D3.45,		SNA
7.4-3-3	6107-001304	SPRING-CS;SUS304-WPB,-,PI0.6,D4.6,L11.5,		SA
7.4-3-3	6107-001298	SPRING-CS;SUS304,GRINDING,PI2,D9.4,L18.7		SNA
7.4-3-5	JC66-00880A	LEVER-P-RELEASE_L;ML-3560,SECC,T1.6,-,89		SNA
7.4-3-6	6107-001172	SPRING-CS;SUS304,-,PI0.5,D6.7,L17.5,-,-,	S0035	SA
7.4-3-7	JC67-00102A	CAP-M-FUSER LOCK;ML-3560,PC, NH-1023XD,T		SNA
7.4-3-8	JC66-00881A	LEVER-P-RELEASE_R;ML-3560,SECC,T1.6,43.4		SNA
7.4-3-10	JC63-00683A	GROUND-P-HR;ML-3560,SUS304,T0.2,13.3,51.		SNA
7.4-3-11	JC61-70903A	SPRING ETC-ACTUATOR;ML-165,SUS304,PI0.2,	Z4132	SA
7.4-3-12	JC72-01358A	PMO-ACTUATOR EXIT;ML-3560,PC+GF20%,HF320		SNA
7.4-3-13	JC67-00103A	CAP-M-ACTUATOR;ML-3560,PC+GF20%,HF320,T		SNA



SA : SERVICE AVAILABLE SNA : SERVICE not AVAILABLE DNA : DELIVERY not AVAILABLE

Drawer#	SEC-Code	Description & Specification	Location	Service
7.4-3-14	6006-001078	SCREW-TAPTITE;WSP,PH,+,M3,L10,ZPC(YEL),S		SNA
7.4-4	JC97-02631A	MEA UNIT-FUSER_GU_R;ML-4550,-,-,-,-,-		SNA
7.4-4-1	JC61-01226B	GUIDE-M_REAR;ML-3560,HIPS,2.5,98,100.3,B		SNA
7.4-4-2	JC72-00382A	PMO-BUSHING TX;ML-6060A,POM M9044,BLK,-,		SNA
7.4-4-6	JC61-01549A	HOLDER-M REAR_LEVER;ML-3560,PC,NH-1023XD		SNA
7.5-1	JC61-00674A	GUIDE-P_REGI LOWER;ML-2150,SECC,1.2,-,-,	G2080	SA
7.5-2	JC66-00450A	ROLLER-REGI LOWER L;ML-2150,CR,13.85,-,B		SNA
7.5-3	JC66-00446A	SHAFT-REGI UPPER;ML-2150,SUM22,-,6,-,-,-	S0010	SA
7.5-4	JC66-00647A	ROLLER-M_REGI IDLE L25;ML-2150,POM,12.4,	R0014	SA
7.5-5	JC66-00648A	ROLLER-M_REGI IDLE S25;ML-2150,POM,11.9,	R0015	SA
7.5-7	6107-001158	SPRING-TS;SUS304-WPB,-,PI0.4,D6.7,-,-,-,	S0042	SA
7.5-8	JC72-00998A	PMO-ACTUATOR REGISHUTTER;ML-2150,ABS G/F	P0030	SA
7.5-9	JC61-00670A	GUIDE-P_REGI PLATE;ML-2150,SECC,1.2,-,-,	G2081	SA
7.5-11	JC61-00669A	BUSH-M-ROLLER REGI U;ML-2150,POM(CE20),6	B0029	SA
7.5-14	6107-001155	SPRING-ES;SWP-B,-,PI0.55,-,L25,-,-,-,OD4		SA
7.6-1	JC61-01204A	BRACKET-P-MAIN;ML-3560,SECC,1.2,144.73,2		SNA
7.6-2	JC31-00040A	MOTOR DC-BLDC MAIN;- ,ML-3560,2.3A,-,-,21	B5013	SA
7.6-3	6031-001255	WASHER-PLAIN;NYLON,CUTTING,ID5,OD9,T0.5,	W0004	SA
7.6-4	JC66-00867A	GEAR-M-OPC DRV;ML-3560,POM,0.8/0.5,31/11		SNA
7.6-5	JC66-00864A	GEAR-M-REGI DRV;ML-3560,POM,0.8,31,-,WHT		SNA
7.6-6	JC66-00860A	GEAR-M-RDCN FUSER;ML-3560,POM,1/0.5,29/8		SNA
7.6-7	JC66-00875A	GEAR-M-FUSER IDLE 1;ML-3560,POM,1,43,-,W		SNA
7.6-8	JC66-00865A	GEAR-M-RDCN REGI;ML-3560,POM,0.8/0.5,23/		SNA
7.6-9	JC66-00866A	GEAR-M-RDCN PICK UP;ML-3560,POM,0.8/0.8,		SNA
7.6-10	JC66-00861A	GEAR-M-MP DRV;ML-3560,POM,0.8,31,-,WHT,2		SNA
7.6-11	JC66-00862A	GEAR-M-FEED DRV;ML-3560,POM,0.8/0.8,37/4		SNA
7.6-12	JC66-00873A	GEAR-M-RDCN MP;ML-3560,POM,0.8,19/28,-,W		SNA
7.6-14	JC66-00863A	GEAR-M-PICK UP DRV;ML-3560,POM,0.8,34,-,		SNA
7.7-1	JC31-00039A	MOTOR DC-BLDC DEVE;- ,ML-3560,2.0A(MAX.),	B5012	SA
7.7-2	JC61-01201A	BRACKET-P-DEVE;ML-3560,SECC,1.2,126.5,73		SNA
7.7-3	JC61-01203A	BRACKET-P-SWING;ML-3560,SECC,1.0,27.0,42		SNA
7.7-4	JC66-00915A	SHAFT-SWING DEVE;ML-3560,SUM24L+NI,20.6,		SNA
7.7-5	JC66-00871A	GEAR-M-RDCN DEVE;ML-3560,POM,0.5/0.8,51/		SNA
7.7-6	JC66-00857A	GEAR-M-SWING;ML-3560,POM,0.8,31,-,WHT,26		SNA
7.8-1	JC61-01205A	BRACKET-P-EXIT;ML-3560,SECC,1.2,82.0,76.		SNA
7.8-4	JC66-40911A	GEAR-DP,IDLE;ML-165,POM,M1.0,Z21,-,WHITE	G0198	SA
7.8-5	JC66-00100A	GEAR-6;ML-9400W,POM,1,,PCD19,WHITE,,		SNA
7.8-8	JC33-00008A	SOLENOID-DUPLEX;- ,SCX-5312F,-,24VDC,53*3	S8014	SA
7.8-9	JC61-01202A	BRACKET-P-LINK SWING;ML-3560,SECC,1.2,40		SNA
7.8-10	JC66-00855A	GEAR-M-SWING DUPLEX;ML-3560,POM,1,19,-,W		SNA
7.8-11	JC66-00856A	GEAR-M-RDCN EXIT;ML-3560,POM,1/1,27/31,-		SNA
7.8-12	JC66-00916A	SHAFT-SWING DUPLEX;ML-3560,SUM24L+NI,22.		SNA
7.9-2	JC64-00189B	INDICATOR-M_EMPTY;ML-3560,ABS,2.5,GRAY,H		SNA
7.9-3	JC61-01244A	GUIDE-P-SIDE_R;ML-3560,SECC,1.2,130,120.		SNA
7.9-4	JC61-01225B	GUIDE-M_SIDE LOCK;ML-3560,ABS,2.5,72.8,1		SNA
7.9-5	JC61-01220B	FRAME-M_CASSETTE;ML-3560,HIPS,HR-1360T,H		SNA
7.9-6	JC61-00751A	GUIDE-P-REAR PAPER CST;ML-2150,SUS-301,T	G2088	SA
7.9-8	JC61-00267B	GUIDE-M-LOCK A;ML-2150,HIPS,HB,-,-,-,C75	G2068	SA
7.9-9	JC61-00414A	SPRING ETC-GUIDE PAPER;ML-9400W,SUS304WP	Z4247	SA
7.9-11	JC61-01224B	GUIDE-M_EXTENSION CST;ML-3560,HIPS,2,56,		SNA
7.9-12	JC61-01223A	BRACKET-P-EXTENTION;ML-3560,SECC,1.2,41,		SNA
7.9-13	JG61-70531A	SPRING ETC-LOCKER,PLATE;SF6000,STS304WPB	S0025	SA
7.9-15	JC67-00037A	CAP-M-GUIDE SIDE,L;ML-2150,POM,-,-,-,BLK	C1014	SA
7.9-16	JC61-01222A	GUIDE-P-SIDE_L;ML-3560,SECC,1.2,127,129,		SNA
7.9-17	JC72-41210A	PMO-LOCKER PLATE;ML-6000,POM,WHT,HB,-	L6038	SA
7.9-18	JC61-01227A	GUIDE-M-PAPER SIZE;ML-3560,POM,2.5,71.5,		SNA
7.9-19	JC97-02234A	MEA UNIT-HOLDER PAD;ML-3560,XEROX,-,110V	G0469	SA

SA : SERVICE AVAILABLE SNA : SERVICE not AVAILABLE DNA : DELIVERY not AVAILABLE

Drawer#	SEC-Code	Description & Specification	Location	Service
7.9-21	JC61-01228A	HOLDER-M-PAD_HOUSING;ML-3560,ABS,2.5,48,		SNA
7.9-24	JC61-00455A	SPRING ETC-PLATE K/UP;SCX-5100,SUS304,24	Z4228	SA
7.9-25	JC61-01245A	PLATE-P-KNOCK UP;ML-3560,SECC,1.2,279.1,		SNA
7.9-27	JC61-01221B	GUIDE-M_HANDLE;ML-3560,ABS,2.5,103.7,396		SNA
7.10-33	6044-000159	RING-C;ID3,OD7,T0.6,PASS,STSC	Z4357	SA
7.11-17	6107-001170	SPRING-TS;SWP-B,-,PI0.9,D6.0,-,-,ID5.2	Z4162	SA
7.11-34	JC63-00675A	GROUND-P-PAPER_SIZE;ML-3560,C5210P,T0.2,		SNA
7.11-40	JC72-01373A	SPONGE-COVER_R;ML-3560,POLYURETHANE,-,5,		SNA
7.11-43	6044-000001	RING-CS;ID3,OD3,T0.25,BLACK,SUS304		SNA
7.11-46	JB39-40532A	CBF HARNESS-OPE;SF3000,CBF,UL1007,-,100,	E2002	SA
7.11-49	JC39-00547A	CBF HARNESS-SCF;SCX-6345N,CBF,UL1061,18P		SA
#N/A	6801-001014	CARD-REGISTRATION;XEU,SEUK,ENG,MOJO100,L		SNA
#N/A	JC68-01699A	MANUAL-INSTALL;ML-4550,SAMSUNG,16LANGUAG		SNA
#N/A	JC69-00985B	BOX-MAIN;ML-4550/SEE,DC3,A-1,553,555,507		SA
#N/A	JC96-01815C	ELA ETC-SUBSIDIARY;ML-2150,SEC,110V/220V		SNA
#N/A	JC96-04095A	ELA HOU BASE-FRAME;ML-4550,SEC/XEROX,-,1		SNA
#N/A	JC96-04122A	ELA ETC-LEVEL_PARTS;ML-4550,SEC,-,110V/2		SNA
#N/A	JC99-01973C	INA-ACCESSORY;ML-4550,SAMSUNG,XEU,-,-,-		SNA
#N/A	JC99-01991C	PAA-LABEL;ML-4550/XEU,SEC,-,-,-		SNA
#N/A	JC99-01992A	PAA WOOD-PACKING;ML-4550,SAMSUNG,-,-,-,-		SNA
#N/A	0203-000007	TAPE-FILAMENT;3M,T0.15,W18,L55M,TRP		SNA
#N/A	0203-001100	TAPE-OPP MASKING;OPP/W75/CLR,T0.05,W75,L		SNA
#N/A	0205-001002	GREASE-BEARING;NYOGEL744,WITH PTFE,-		SNA
#N/A	0205-001003	GREASE-BEARING;NYOGEL788,DAMPING GREASE,		SNA
#N/A	3903-000067	CBF-POWER CORD;DT,GB,GP3/YES(A),I(IEC C1	K2903	SA
#N/A	6001-000568	SCREW-MACHINE;PH,+,M3,L8,NI PLT,SWRCH18A		SA
#N/A	6002-000440	SCREW-TAPPING;PWH,+,-,2,M3,L8,ZPC(BLK),S		SA
#N/A	6006-001193	SCREW-MACHINE;WSP,PH,+,M3,10,ZPC(YEL),SW		SNA
#N/A	6021-001194	NUT-SQUARE;-M3,PASS,SWCH+ZN COATING,SQU		SNA
#N/A	6902-000288	BAG PE;T0.05,W250,L450,TRP,8,2,-		SNA
#N/A	6902-000321	BAG PE;T0.015,W800,L1300,TRP,28,6,M-Type		SNA
#N/A	JB39-00017A	CBF HARNESS-EARTH (TX MOTOR);SF-3100,CBF		SA
#N/A	JB68-00916A	LABEL RATING-BLANK;SF-340,SEC,TETRON,0.0		SNA
#N/A	JC39-00438A	CBF HARNESS-DEV MOTOR;ML-3560,CBF,UL 106	H1246	SA
#N/A	JC39-00445A	CBF HARNESS-DC MOTOR;ML-3560,CBF,UL 1061	H1245	SA
#N/A	JC39-00575A	CBF HARNESS-FAN;CLP-600,CBF-HARNESS,UL10		SA
#N/A	JC39-00619A	HARNESS-CART;ML-4550,CBF,UL 1061,20PIN,4		SA
#N/A	JC39-00621A	HARNESS-SMPS;ML-4550,CBF,UL 1061,28PIN,3		SA
#N/A	JC39-00622A	HARNESS-SMPS HVPS;ML-4550,CBF,UL 1061,14		SA
#N/A	JC39-00623A	HARNESS-FAN_MAIN;ML-4550,CBF,UL 1061,3PI		SA
#N/A	JC44-00112A	HVPS;-24V,21.6V~27.6V,-,MAX 5KV,MAX-2KV		SA
#N/A	JC44-00124A	SMPS-V2C;ML-4550,stock-v2C,FLYBACK,143W,		SA
#N/A	JC46-00280A	S/W APPLICATION-CD;-ML-4550,PRT DRV,1.0		SNA
#N/A	JC61-00064A	SPRING ETC-CLAW;ML-5200A,SUS 304 WPB,?.	O1032	SA
#N/A	JC61-00391A	SPRING ETC-DUPLEX COVER;ML-9400W,SUS304W	Z4169	SA
#N/A	JC61-01211A	GUIDE-P-TRANSFER;ML-3560,SECC,0.6,242,64		SNA
#N/A	JC61-01243A	HOLDER-M-PICK UP;ML-3560,POM,1.5,16,26.7		SNA
#N/A	JC61-01611A	HOLDER-P-DAMPER;ML-3560,SECC,1.6,25,32.1	P2063	SA
#N/A	JC61-01724A	GUIDE-PAPER;ML-4550,PC+ABS,2.5,48.7,242.		SNA
#N/A	JC61-01733A	GUIDE-FEED1_PATH;ML-4550,PC,-,W193.9,L51		SA
#N/A	JC61-01734A	BRACKET-NIC HOLE;ML-4550,SECC,0.6T,W27.0		SA
#N/A	JC61-01768A	HOLDER-IDLE ENV;ML-4550,PC,1.5t,25.4,50.		SNA
#N/A	JC61-70915A	SPRING ETC-SOLENOID DP;ML-165,SUS304-WPB	S8015	SA
#N/A	JC62-00311A	INSULATION-SMPS;ML-4550,PC,0.43T,W219,L2		SNA
#N/A	JC63-00076A	COVER-WINDOW SF-530;SF-530,PVC FILM,T0.	M0402	SA
#N/A	JC63-00459A	SHEET-SCAN LOWER;SCX-4100,PET,T0.188,-,-		SNA
#N/A	JC63-00707A	SHEET-SMPS_SMALL;ML-3560,PC,0.4T,6.2,51.		SNA

SA : SERVICE AVAILABLE SNA : SERVICE not AVAILABLE DNA : DELIVERY not AVAILABLE

Drawer#	SEC-Code	Description & Specification	Location	Service
#N/A	JC63-00875A	GROUND-P-BRUSH;ML-3560,C5210P,T0.2,14.4,		SNA
#N/A	JC63-00911A	SHEET-GUIDE PATH;ML-3560,PC,T0.254,21,84		SNA
#N/A	JC63-01206A	GROUND-CASSETTE;ML-4550,SUS301,0.2,82.6,		SA
#N/A	JC64-00190B	KNOB-M REAR;ML-3560,HIPS,2.5,24.7,44.7,H		SNA
#N/A	JC64-00268A	SHUTTER-PATH;ML-4550,PC/ABS,-,7,219,SOFT		SNA
#N/A	JC65-00010B	TERMINAL-GUIDE_FRONT;ML-4550,C5210P,-,-,		SNA
#N/A	JC66-00377A	CAM-M-PICK_UP;ML-1710,POM(DELIN 8903),-,	P2042	SA
#N/A	JC66-00852A	GEAR-M-FEED 2;ML-3560,POM,0.8,27,-,BLK,2		SNA
#N/A	JC66-00877A	LEVER-M-BRACKET_SWING;ML-3560,POM M90-44		SNA
#N/A	JC66-00902A	LEVER-M-STACKING 38;ML-3560,PC+ABS,T1.2,		SA
#N/A	JC66-01142A	ROLLER-SLIDE A;CLP-300,POM,L10,OD10.2,BL		SNA
#N/A	JC66-01151A	DAMPER-PICK UP;ML-3560,NBR,-,19,13.7,20.		SNA
#N/A	JC67-00189A	DUCT-FAN_MAIN;ML-4550,ABS HB,-,-,-,BLK,-		SA
#N/A	JC68-00421A	MANUAL-SERVICE CARD;COMMON,SEUK,XEU,,,,,		SNA
#N/A	JC68-00690A	MANUAL-(CARD)WARRANTY CARD;ML-1210,XEU,E		SNA
#N/A	JC68-01552A	LABEL(R)-CASSETTE;COMMON,SAMSUNG,WHITE P		SNA
#N/A	JC68-01584A	LABEL(P)-BLANK 90°25;CLP-510,SEE,ART 100	D2120	SA
#N/A	JC68-01760A	LABEL-INFORMATION;ML-4550,SEC,ART PAPER		SNA
#N/A	JC68-10932A	LABEL(P)-BLANK(ML);ML-85,ART,70X60,G100,		SNA
#N/A	JC69-00860A	CUSHION-SCF IN;ML-3560,PE FOAM,-,15,260,		SNA
#N/A	JC69-00966A	CUSHION-MAIN TOP;ML-4550,EPS,-,496,544,2		SNA
#N/A	JC69-00966C	CUSHION-MAIN BOTTOM;ML-4550,EPS,-,496,54		SNA
#N/A	JC69-00966D	CUSHION-MAIN DEVE;ML-4550,EPS,-,230,368,		SNA
#N/A	JC72-00463A	PMO-CAP CONNECTOR L;ML-6060A,POM,BLACK,-	Z0013	SA
#N/A	JC72-00465A	PMO-CAP CONNECTOR U;ML-6060A,POM,BLACK,-	Z0014	SA
#N/A	JC72-00995A	PMO-STACKER LOCKER;ML-2150,PC,-,-,0810P,	L6053	SA
#N/A	JC73-00141A	RPR-PAD CASSETTE;ML-1510,URETHANE SPONGE	R0020	SA
#N/A	JC96-01579A	ELA HOU-MOTOR GND;SF-5100,HANSUNG,100Moh	Z2265	SA
#N/A	JC96-01730B	ELA UNIT-HOLDER_TR_L;ML-4550,SEC,-,-,-,-		SA
#N/A	JC96-03931A	ELA UNIT-DEVE KIT;ML-4550,SAMSUNG,-,10K,		SNA
#N/A	JC96-04120A	ELA UNIT-CHECK_SENSOR;ML-4550,SEC,-,110V		SA
#N/A	JC97-02388B	MEA UNIT-COVER RIGHT;ML-3560,SEC,-,110V/	E4064	SA
#N/A	JC97-02662A	MEA UNIT-EXIT DUP;ML-4550,-,-,SUM+EPDM,S		SA
#N/A	JF68-10532B	LABEL(P)-BAR CODE;CLP-500,-,YUPO PAPER,1		SNA
#N/A	JG61-40001A	FOOT-SF4000;SF4000,CR,-,BLK,CR,3,-,-	F1017	SA
#N/A	0201-001183	ADHESIVE-AA;ARON ALPHA #202F,NTR,100,20G		SNA
#N/A	0202-001240	SOLDER-WIRE;HSE-01,-,D3,SN/0.5CU/0.03NI/		SNA
#N/A	0202-001492	SOLDER-WIRE FLUX;HSE-02 LFM48 SR-34 S,-,		SNA
#N/A	0204-000469	THINNER;#4662,-,0.795,-		SNA
#N/A	0204-002978	FLUX;KSP-70M,-,84%,FLUX,SPRAY		SNA
#N/A	0205-001059	GREASE-BEARING;PETAMO GHV 133,BEIGE,15KG		SNA
#N/A	0205-001067	GREASE-GRAPHITE;NYOGEL 756G,HYDRO CARBON		SNA
#N/A	0205-001080	GREASE-BEARING;NYOGEL 774H,NOISE DAMPING		SNA
#N/A	0205-001088	GREASE-BEARING;NICHIMOLY DM-1770X,PTFE,-		SNA
#N/A	0502-001048	TR-POWER;KSD1691,NPN,1.3W,TO-126,BK,160		SA
#N/A	0601-001459	LED;ROUND,GRN,3mm,570nm		SA
#N/A	2401-000880	C-AL;220uF,20%,50V,WT,TP,10x16mm,5m		SA
#N/A	2801-004414	CRYSTAL-UNIT;25MHZ,50PPM,HC-49/S,12PF,50		SNA
#N/A	3405-001048	SWITCH-MICRO;125V,5A,64gf,SPDT		SA
#N/A	3405-001073	SWITCH-MICRO;125V,5A,40GF,SPDT		SNA
#N/A	3702-000118	CONNECTOR-RIBBON;36P,FEMALE,ANGLE,AU		SNA
#N/A	3702-001158	CONNECTOR-RIBBON;60,FEMALE,STRAIGHT,AU		SA
#N/A	3711-002000	HEADER-BOARD TO CABLE;BOX,18P,2R,2mm,STR		SNA
#N/A	3711-002001	HEADER-BOARD TO CABLE;BOX,20P,2R,2MM,STR		SA
#N/A	3711-002807	HEADER-BOARD TO CABLE;BOX,6P,1R,2mm,STRA		SNA
#N/A	3711-002808	HEADER-BOARD TO CABLE;BOX,7P,1R,2mm,STRA		SNA
#N/A	3711-002809	HEADER-BOARD TO CABLE;BOX,8P,1R,2mm,STRA		SA

SA : SERVICE AVAILABLE SNA : SERVICE not AVAILABLE DNA : DELIVERY not AVAILABLE

Drawer#	SEC-Code	Description & Specification	Location	Service
#N/A	3711-002810	HEADER-BOARD TO CABLE;BOX,9P,1R,2mm,STRA		SNA
#N/A	3711-002811	HEADER-BOARD TO CABLE;BOX,10P,1R,2mm,STR		SNA
#N/A	3711-003408	HEADER-BOARD TO CABLE;BOX,2P,1R,2mm,STRA		SNA
#N/A	3711-003409	HEADER-BOARD TO CABLE;BOX,3P,1R,2mm,STRA		SNA
#N/A	3711-003410	HEADER-BOARD TO CABLE;BOX,4P,1R,2mm,STRA		SNA
#N/A	3711-003968	HEADER-BOARD TO CABLE;BOX,3P,1R,2.5mm,ST		SA
#N/A	3711-003969	HEADER-BOARD TO CABLE;BOX,2P,1R,2.5mm,ST		SNA
#N/A	3711-003981	HEADER-BOARD TO CABLE;BOX,28P,2R,2mm,STR		SA
#N/A	3711-004349	HEADER-BOARD TO CABLE;BOX,3P,1R,2mm,STRA		SA
#N/A	3722-002303	JACK-USB;4P/1C,AU30U,BLK,ANGLE,B TYPE		SA
#N/A	6001-000130	SCREW-MACHINE;BH,+,M3,L6,ZPC(WHT),SWRCH1	-	SA
#N/A	6902-000664	BAG CONDUCTIVE;T0.1,W420,L420,BLK,-,-,-		SNA
#N/A	JB68-00073A	LABEL(R)-BAR CODE;SF-3000,PY,38X6.5,T0.1		SNA
#N/A	JC02-00056A	TONER-GRINDED;ML-4550,TUFTONE YT-7,-,8.0		SNA
#N/A	JC07-00005A	LCD-PANEL;VHC1625SLYC9-1,ML-2150,16X2,36	L3018	SA
#N/A	JC39-00181A	CBF HARNESS-PTL;SCX-5100,WIRE HARNESS,UL	H1212	SA
#N/A	JC39-00249A	CBF HARNESS-LCD;ML-2150,WIRE,UL2877,8PIN	H1118	SA
#N/A	JC39-00251A	CBF HARNESS-PANEL;ML-2150,CBF,UL 1061,6P	H1193	SA
#N/A	JC39-00465A	CBF HARNESS-EXIT;ML-3560,CBF,UL 1061,3PI	H1247	SA
#N/A	JC39-00478A	CBF HARNESS-FUSEROPEN;ML-3560,CBF,UL 106	H1250	SA
#N/A	JC39-00479A	CBF HARNESS-FEED;ML-3560,CBF,UL 1061,3PI	H1248	SA
#N/A	JC41-00068B	PCB-FUSER SWITCH;ML-3560,FR-1,1LAYER,-,1		SNA
#N/A	JC41-00178A	PCB-PTL2 B'D;ML-2150,FR-1,1LAYER,-,1.6T,		SNA
#N/A	JC61-00026A	SPRING ETC-TS-CHARGE APOLLO;SF-5100,SUS3		SNA
#N/A	JC61-00033A	SPRING ETC-ARM. L;ML-6060,SWP-B,-,-,-,8.		SNA
#N/A	JC61-00034A	SPRING ETC-ARM. R;ML-6060,SWP-B,-,-,-,8.		SNA
#N/A	JC61-00658A	GUIDE-M-DUPLEX;ML-2150,PC,-,-,-,CLEAR,-	G2059	SA
#N/A	JC61-01187A	BRACKET-P-DEV LOWER;ML-3560,SECC,T0.8,24		SNA
#N/A	JC61-01188A	BRACKET-P-COUPLER;ML-3560,SPCC+NI,1.2T,1		SNA
#N/A	JC61-01194A	PLATE-M-DEV R;ML-3560,ABS,T2,20.9,54.69,		SNA
#N/A	JC61-01196A	HOLDER-DEV;ML-3560,LDPE,2,8,317,RED,-		SNA
#N/A	JC61-01689A	FRAME-M DEV CLEAN;ML-4550,ABS+GF20,-,HB,		SNA
#N/A	JC61-01696A	FRAME-M DEV LOWER;ML-4550,ABS+GF20,-,HB,		SNA
#N/A	JC61-01725A	FRAME-FEED;ML-4550,PC/ABS,NH-1000T,-,BLA		SNA
#N/A	JC61-70927A	SPRING ETC-DEV L;ML-7000,-,D0.6,-,5.6,20		SA
#N/A	JC61-70929A	SPRING ETC-HV LARGE;ML-5000A,SUS304-WPB,		SA
#N/A	JC62-00137A	SEAL-FRAME LOWER R2;SCX-4920N,URETHAN FO		SNA
#N/A	JC62-00141A	SEAL-DAMPER;SCX-6320F,PORON(LE20),BLK,5T		SNA
#N/A	JC62-00160A	SEAL-DEV;ML-3560,FELT+PORON,-,T2.5,5.2,3		SNA
#N/A	JC62-00316A	TUBE-LARGE_DUP;ML-4550,-,-,-,78.7,BLK,-		SNA
#N/A	JC62-00317A	TUBE-MIDDLE_DUP;ML-4550,-,-,-,75.6,BLK,-		SNA
#N/A	JC62-00318A	TUBE-SMALL_DUP;ML-4550,-,-,-,56.2,BLK,-		SNA
#N/A	JC63-00111A	COVER-M-SHUTTER;ML-2150,ABS,1.5,-,294.1,		SNA
#N/A	JC63-00407A	SHEET-HOLDER PAD R2;SCX-4920N,PC,0.125T,		SNA
#N/A	JC63-00902A	GROUND-P-PICK UP;ML-3560,C5210P,T0.2,18,		SNA
#N/A	JC63-01205A	GROUND-PAD;ML-4550,SUS301,0.2,37.4,-,-,1		SA
#N/A	JC64-00272A	SHUTTER-CLAW;ML-4550,POM,-,6,6.8,NTR,-		SNA
#N/A	JC65-00007A	TERMINAL-P_PTL 2;ML-2150,PB(C5210P),-,-,-	K4273	SA
#N/A	JC66-00535A	SHAFT-OPC;ML-2150,SUS303,-,6,-,-,-		SNA
#N/A	JC66-00738A	DAMPER-PAD ADF_R2;SCX-4720F,POLY URETHAN		SNA
#N/A	JC66-00844A	GEAR-M COUPLER;ML-3560,POM,0.8,17,16.3,B		SNA
#N/A	JC66-00845A	GEAR-M DEV;ML-3560,POM,0.6,19,6,NTR,13.3		SNA
#N/A	JC66-00846A	GEAR-M SR;ML-3560,POM,0.6,20,7.5,NTR,13.		SNA
#N/A	JC66-00848A	GEAR-M RDCN AGI;ML-3560,POM,0.6/0.8,49/1		SNA
#N/A	JC66-00849A	ARM-M SHUTTER L;ML-3560,HIPS,HB,5.7,43.7		SNA
#N/A	JC66-00850A	ARM-M SHUTTER R;ML-3560,HIPS,HB,5.7,43.7		SNA
#N/A	JC66-00858A	GEAR-M-FUSER DRV IN;ML-3560,POM,1,33,-,W		SNA

SA : SERVICE AVAILABLE SNA : SERVICE not AVAILABLE DNA : DELIVERY not AVAILABLE

Drawer#	SEC-Code	Description & Specification	Location	Service
#N/A	JC66-00905A	SHAFT-DEV;ML-3560,SUM24L+NI,280.0,¥Ö5,-,S		SNA
#N/A	JC66-01237A	ROLLER-DEVE;ML-4550,NBR,D16,232,-,-,-		SNA
#N/A	JC66-01267A	ROLLER-SHAFT_FEED;ML-4550,SUM22+EPDM,15.		SA
#N/A	JC66-01271A	ROLLER-EXIT_DUP;ML-4550,SUM22+EPDM,19.8,		SNA
#N/A	JC66-01281A	GEAR-IDLE;ML-4550,POM,0.6,32,-,NTR,21.63		SNA
#N/A	JC66-01282A	SHAFT-AUGER SUPPLY;ML-4550,ABS+GF20(HB),		SNA
#N/A	JC66-40919A	GEAR-AGITATOR;ML-7000,POM(NW-02),M0.8,Z4		SNA
#N/A	JC67-00035A	CAP-M-WIRE PTL UPPER;ML-2150,PC(NH-1023)	C1016	SA
#N/A	JC67-00047A	CAP_M_BUSHING ACTUATOR;ML-2150,POM,-,-,-	C0006	SA
#N/A	JC67-00088A	COUPLER-M-DEV;ML-3560,POM,D20,-,NTR,-		SNA
#N/A	JC67-00091A	CAP-M DEV L;ML-3560,PC,T2.5,36.62,25.91,		SNA
#N/A	JC67-00159A	CAP-M-SPRING;ML-3560,ABS,T1.5,4,8,BLK,-		SNA
#N/A	JC67-00165A	CAP-M WTB;ML-4550,ABS,T2.59.7,236.5,BLK,		SNA
#N/A	JC67-00166A	CAP-M SENSOR;ML-4550,HIPS,1.5,21.27,55.2		SNA
#N/A	JC67-00193A	CAP-SENSOR_FEED;ML-4550,POM,-,W39.8,L19.		SA
#N/A	JC67-00194A	CAP-DEV;ML-4550,PC,T2,-,-,NTR,-		SNA
#N/A	JC67-00195A	CAP-DEV GEAR;ML-4550,ABS,T1.5,45.61,-,BL		SNA
#N/A	JC67-00204A	BRUSH-ANTISTATIC_PICK;ML-3560,AL,0.2,28,		SA
#N/A	JC68-00407A	LABEL(R)-HV FUSER;ML-6060,PVC,-,220V,-,,	L0006	SNA
#N/A	JC68-01134A	LABEL(P)-BLANK(FUSER);ML-1710D3,-,WHITE		SNA
#N/A	JC68-01525A	LABEL(R)-SEAL(DEVE);COMMON,-,TETRON,0.2T		SNA
#N/A	JC68-01541A	MANUAL-TONER INSTALL;COMMON,SEC,-,-,ART1		SNA
#N/A	JC68-01581A	LABEL(P)-CAUTION HOT;COMMON,SAMSUNG,PET,		SNA
#N/A	JC68-10209B	LABEL(P)-PACK DEVE;ML-85,ART,34*84,G100,		SNA
#N/A	JC68-10914D	LABEL(P)-SERIAL NO;ML-85,ART,70X15,G100,		SNA
#N/A	JC69-00987A	PAD-FRICTION;ML-2571N,NBB,T1.0,W8.5,L29,	O1093	SA
#N/A	JC70-00314A	IPR-PLATE PAD;ML-1710,SUS304-CSP,-,0.1,-	P0009	SA
#N/A	JC70-40912A	ICT-SHAFT HV LARGE;ML-5000A,SWCH18A,-,?4	O1100	SA
#N/A	JC72-00398A	PPR-FILM OPC;ML-6060,URETHANE,NTR,0.2T,-		SNA
#N/A	JC72-01302A	PMO-M-FLEXIBLE COUPLE;SCX-6320F,POM(M90-		SNA
#N/A	JC72-01390A	SPONGE-REGI_PLATE;ML-4550,POLYURETHANE F		SA
#N/A	JC73-00046A	RPR-SEAL CLEAN L;ML-6060,TEFLON FELT,8.5		SNA
#N/A	JC73-00047A	RPR-SEAL CLEAN R;ML-6060,TEFLON FELT,8.5		SNA
#N/A	JC73-00053A	RPR-SEAL CLEAN SUB;ML-6060,URETHANE,5*9.		SNA
#N/A	JC73-00101A	RPR-SEAL CLN BRKT;ML-6060,URETHANE FOAM,		SNA
#N/A	JC73-10017A	RPR-SEAL_BLOCK;ML-80,POLYURETHANE FOAM,T		SNA
#N/A	JC73-10937A	RPR-SEAL FRAME;ML-7000,URETHANE FOAM,13*		SA
#N/A	JC75-10965A	MEC-ROLLER_SUPPLY;ML-7000,SEC,-,-,-,-,-		SNA
#N/A	JC92-01475A	PBA MAIN-PTL1;ML-2150,SEC,KOREA,PTL1 B'D	M0248	SA
#N/A	JC92-01826A	PBA SUB-CRUM;ML-4550,SEC,KOREA,DEVE B'D,		SNA
#N/A	JC94-00861A	PHANTOM AU JC92-01704A		SNA
#N/A	JC94-00865A	PHANTOM AU JC92-01512B		SNA
#N/A	JC94-00866A	PHANTOM AU JC92-01262C		SNA
#N/A	JC94-01198A	PHANTOM AU JC92-01831A		SNA
#N/A	JC94-01200A	PHANTOM AU JC92-01825B		SNA
#N/A	JC94-01201A	PHANTOM AU JC92-01823A		SNA
#N/A	JC94-01202A	PHANTOM AU JC92-01824A		SNA
#N/A	JC96-04114A	ELA UNIT-FEED_SENSOR;ML-4550,SEC,110V/22		SA
#N/A	JC97-01688A	MEA UNIT-HOLDER CR;ML-2150,SAMSUNG,-,CAR		SNA
#N/A	JC97-01692A	MEA UNIT-ROLLER CLEAN;ML-2150,SAMSUNG,-	K3609	SA
#N/A	JC97-02212A	MEA UNIT-DRUM;ML-3560,SAMSUNG,-,OPC DRUM		SNA
#N/A	JC97-02224A	MEA UNIT-BLADE;ML-3560,SAMSUNG,-,DOCTOR		SNA
#N/A	JC97-02225B	MEA UNIT-CLEAN;ML-4550,SAMSUNG,-,CLEANIN		SNA
#N/A	JC97-02227A	MEA UNIT-ROLLER CR;ML-3560,SAMSUNG,-,ROL		SNA
#N/A	JC97-02237A	MEA UNIT-BUSHING SR;ML-3560,SAMSUNG,-,ID		SNA
#N/A	JC97-02255A	MEA UNIT-PLATE DEV L;ML-3560,SAMSUNG,-,P		SNA
#N/A	JC97-02382B	MEA UNIT-SPACER;ML-4550,-,-,SPACER_DR,BE		SNA

SA : SERVICE AVAILABLE SNA : SERVICE not AVAILABLE DNA : DELIVERY not AVAILABLE

Drawer#	SEC-Code	Description & Specification	Location	Service
#N/A	JC97-02621A	MEA UNIT-HOPPER;ML-4550,SAMSUNG,-,-,-,-,-		SNA
#N/A	JC97-02622A	MEA UNIT-DUCT;ML-4550,SAMSUNG,-,-,-,-,-		SNA
#N/A	JC97-02632A	MEA UNIT-FUSER_BK G;ML-4550,-,-,-,-,-		SNA
#N/A	JG72-40960A	PMO-CAP TONER;SF6000,PP,BLK,-,-,VO,-,-,-		SNA
#N/A	0201-001162	ADHESIVE-CYA;LOCTITE403,NTR,1250,20G		SNA
#N/A	0201-001235	ADHESIVE-TS;DEH-390D,RED,400,-		SNA
#N/A	0202-001459	SOLDER-CREAM;S3X58-M405,-,D20~38\$,96.5SS		SNA
#N/A	0203-001189	TAPE-ACETATE;#810,T0.05,W12,L65000,TRP,-		SNA
#N/A	0205-000005	GREASE-BEARING;EP56,DIAMOND HYDRO FLUID,		SNA
#N/A	0205-001095	GREASE-BEARING;NYE8512,NOISE DAMPING(BLU		SNA
#N/A	0401-000116	DIODE-SWITCHING;MMSD914T1,100V,200MA,SOD		SNA
#N/A	0402-000129	DIODE-RECTIFIER;1N4003,200V,1A,DO-41,TP		SA
#N/A	0403-000716	DIODE-ZENER;MTZJ4.7B,4.59-4.77V,500mW,DO		SA
#N/A	0404-000112	DIODE-SCHOTTKY;RB420D,40V,100MA,SOT-23,T		SA
#N/A	0407-000122	DIODE-ARRAY;KDS226,80V,300mA,C2-3,SOT-23		SA
#N/A	0501-000279	TR-SMALL SIGNAL;KSA1182-Y,PNP,150mW,SOT-		SA
#N/A	0501-000457	TR-SMALL SIGNAL;MMBT222A,NPN,350mW,SOT-		SA
#N/A	0505-001592	FET-SILICON;SI4542DY,N/P,30V/-30V,6.9A/6		SNA
#N/A	0505-001754	FET-SILICON;FDC642P,P,-20V,-4A,0.054ohm,		SNA
#N/A	0601-000003	LED;ROUND,RED/GRN,3.1MM,650/563NM,3.8X5.		SA
#N/A	0801-000794	IC-CMOS LOGIC;7S08,AND GATE,SOT-25,5,63M		SA
#N/A	0801-001055	IC-CMOS LOGIC;74VHC08,AND GATE,SOP,14,15		SA
#N/A	0801-002095	IC-CMOS LOGIC;74LCX245,TRANSCEIVER,TSSOP		SA
#N/A	0801-002379	IC-CMOS LOGIC;74LCX16245,TRANSCEIVER,TSS		SA
#N/A	0801-002484	IC-CMOS LOGIC;74LCX138,3-TO-8 DECODER,TS		SA
#N/A	0801-003070	IC-CMOS LOGIC;74ALVCH162260,D-TYPE LATCH		SNA
#N/A	0803-003263	IC-CMOS LOGIC;74LCX07,HEX BUFFER,SOIC,14		SA
#N/A	0902-001984	IC-MICROPROCESSOR;88F5181,500MHz,HSBGA,4		SA
#N/A	1003-001922	IC-CLOCK DRIVER;ICS97ULP844A,BGA,28P,4.0		SNA
#N/A	1003-001926	IC-CLOCK DRIVER;ICS445R-36LF,SSOP,20P,8		SNA
#N/A	1006-001151	IC-LINE TRANSCEIVER;90LV019,SOP,14P,157M		SA
#N/A	1006-001224	IC-LINE TRANSCEIVER;74LVX161284,TSSOP,48		SA
#N/A	1006-001250	IC-LINE DRIVER;DS90LV017A,SOIC,8P,150MIL		SA
#N/A	1103-000170	IC-EEPROM;24C64A,64Kbit,8Kx8Bit,SOP,8P,5		SA
#N/A	1103-001325	IC-EEPROM;34(F)C02-LF,256X8BIT,TSSOP,8P,		SNA
#N/A	1105-001680	IC-DRAM;K4T51163QC,DDR2,512Mbit,32Mx16,F		SA
#N/A	1107-001590	IC-FLASH MEMORY;S29GL064M,64MBIT,8MX8/4M		SA
#N/A	1202-000164	IC-VOLTAGE COMP.;393,SOP,8P,150MIL,DUAL,		SA
#N/A	1203-002233	IC-RESET;XC61F,SOT-23,3P,-,PLASTIC,0.7/1		SNA
#N/A	1203-003739	IC-DC/DC CONVERTER;MVP31,DFN,12P,4X3MM,		SNA
#N/A	1203-003774	IC-DC/DC CONVERTER;SC4603,MSOP,10P,3X3MM		SNA
#N/A	1203-004111	IC-DC/DC CONVERTER;MVP30,DFN,12P,4X3MM,		SNA
#N/A	1404-001141	THERMISTOR-NTC;5.6Kohm,5%,3200K,2.1mW/C,		SNA
#N/A	1404-001360	THERMISTOR-NTC ASSY;7KOHM,-,3370K,0.3MW/		SA
#N/A	2001-000019	R-CARBON(S);100OHM,5%,1/2W,AA,TP,2.4X6.4M		SA
#N/A	2001-000281	R-CARBON;100OHM,5%,1/8W,AA,TP,1.8X3.2MM		SA
#N/A	2001-000591	R-CARBON;3.3KOHM,5%,1/8W,AA,TP,1.8X3.2MM		SA
#N/A	2007-000033	R-CHIP;0ohm,5%,1/4W,TP,3216		SA
#N/A	2007-000052	R-CHIP;10Kohm,1%,1/10W,TP,1608		SA
#N/A	2007-000069	R-CHIP;1OHM,1%,1/4W,TP,3216		SNA
#N/A	2007-000070	R-CHIP;0ohm,5%,1/10W,TP,1608		SA
#N/A	2007-000071	R-CHIP;22ohm,5%,1/10W,TP,1608		SA
#N/A	2007-000074	R-CHIP;100ohm,5%,1/10W,TP,1608		SA
#N/A	2007-000075	R-CHIP;220ohm,5%,1/10W,TP,1608		SA
#N/A	2007-000076	R-CHIP;330ohm,5%,1/10W,TP,1608		SA
#N/A	2007-000078	R-CHIP;1Kohm,5%,1/10W,TP,1608		SA
#N/A	2007-000079	R-CHIP;1.8Kohm,5%,1/10W,TP,1608		SA

SA : SERVICE AVAILABLE SNA : SERVICE not AVAILABLE DNA : DELIVERY not AVAILABLE

Drawer#	SEC-Code	Description & Specification	Location	Service
#N/A	2007-000082	R-CHIP;3.3Kohm,5%,1/10W,TP,1608		SA
#N/A	2007-000084	R-CHIP;4.7Kohm,5%,1/10W,TP,1608		SA
#N/A	2007-000086	R-CHIP;5.6Kohm,5%,1/10W,TP,1608		SA
#N/A	2007-000090	R-CHIP;10Kohm,5%,1/10W,TP,1608		SA
#N/A	2007-000093	R-CHIP;20Kohm,5%,1/10W,TP,1608		SA
#N/A	2007-000094	R-CHIP;22Kohm,5%,1/10W,TP,1608		SA
#N/A	2007-000098	R-CHIP;56Kohm,5%,1/10W,TP,1608		SA
#N/A	2007-000102	R-CHIP;100Kohm,5%,1/10W,TP,1608		SA
#N/A	2007-000105	R-CHIP;200Kohm,5%,1/10W,TP,1608		SA
#N/A	2007-000107	R-CHIP;470Kohm,5%,1/10W,TP,1608		SA
#N/A	2007-000113	R-CHIP;33ohm,5%,1/10W,TP,1608		SA
#N/A	2007-000120	R-CHIP;680ohm,5%,1/10W,TP,1608		SA
#N/A	2007-000123	R-CHIP;1.5Kohm,5%,1/10W,TP,1608		SA
#N/A	2007-000134	R-CHIP;33Kohm,5%,1/10W,TP,1608		SA
#N/A	2007-000287	R-CHIP;100OHM,1%,1/10W,TP,1608		SA
#N/A	2007-000309	R-CHIP;10ohm,5%,1/10W,TP,1608		SA
#N/A	2007-000402	R-CHIP;150ohm,5%,1/10W,TP,1608		SA
#N/A	2007-000539	R-CHIP;200ohm,5%,1/10W,TP,1608		SA
#N/A	2007-000619	R-CHIP;24ohm,5%,1/4W,TP,3216		SA
#N/A	2007-000729	R-CHIP;300ohm,5%,1/10W,TP,1608		SA
#N/A	2007-000965	R-CHIP;5.1Kohm,5%,1/10W,TP,1608		SA
#N/A	2007-001002	R-CHIP;510ohm,5%,1/10W,TP,1608		SA
#N/A	2007-001010	R-CHIP;51Kohm,5%,1/10W,TP,1608		SNA
#N/A	2007-001139	R-CHIP;7.5Kohm,1%,1/10W,TP,1608		SA
#N/A	2007-002425	R-CHIP;1ohm,5%,1/10W,TP,1608		SA
#N/A	2007-002901	R-CHIP;12.1Kohm,1%,1/10W,TP,1608		SA
#N/A	2007-002916	R-CHIP;475Kohm,1%,1/10W,TP,1608		SA
#N/A	2007-007239	R-CHIP;31.6Kohm,1%,1/10W,TP,1608		SNA
#N/A	2007-007445	R-CHIP;9.09Kohm,1%,1/10W,TP,1608		SA
#N/A	2007-007521	R-CHIP;14.7Kohm,1%,1/10W,TP,1608		SA
#N/A	2007-007839	R-CHIP;53.6Kohm,1%,1/10W,TP,1608		SNA
#N/A	2007-007878	R-CHIP;5.62Kohm,1%,1/10W,TP,1608		SA
#N/A	2007-008596	R-CHIP;0.1ohm,1%,1/4W,TP,3216		SA
#N/A	2011-000002	R-NET;22ohm,5%,1/16W,L,CHIP,8P,TP,3216		SA
#N/A	2011-000816	R-NET;100ohm,5%,1/16W,L,CHIP,8P,TP,3.2x1		SA
#N/A	2011-000881	R-NET;33ohm,5%,1/16W,L,CHIP,8P,TP,3.2x1.		SA
#N/A	2011-001011	R-NET;10Kohm,5%,1/16W,L,CHIP,8P,TP,3.2x1		SNA
#N/A	2011-001097	R-NET;5.1KOHM,5%,1/16W,L,CHIP,8P,TP		SNA
#N/A	2011-001262	R-NET;22OHM,5%,1/16W,L,CHIP,8P,TP,2.0X1.		SA
#N/A	2011-001334	RC-NETWORK;1K/5.1K/39ohm,10%,150pF,-,6V,		SNA
#N/A	2011-001468	R-NET;30HM,5%,1/16W,L,CHIP,8P,TH,2010		SA
#N/A	2201-000017	C-CERAMIC,DISC;1nF,10%,50V,Y5P,-,5x3.5mm		SA
#N/A	2203-000041	C-CER,CHIP;0.01nF,0.25pF,50V,C0G,1608		SA
#N/A	2203-000189	C-CER,CHIP;100nF,+80-20%,25V,Y5V,1608		SA
#N/A	2203-000236	C-CER,CHIP;0.1nF,5%,50V,C0G,1608		SA
#N/A	2203-000257	C-CER,CHIP;10nF,10%,50V,X7R,1608		SA
#N/A	2203-000384	C-CER,CHIP;0.015nF,5%,50V,C0G,1608		SA
#N/A	2203-000440	C-CER,CHIP;1nF,10%,50V,X7R,1608		SA
#N/A	2203-000626	C-CER,CHIP;0.022nF,5%,50V,C0G,1608		SA
#N/A	2203-000783	C-CER,CHIP;0.33nF,5%,50V,C0G,1608		SA
#N/A	2203-000998	C-CER,CHIP;0.047nF,5%,50V,C0G,1608		SA
#N/A	2203-001086	C-CER,CHIP;0.0050nF,0.25pF,50V,NP0,1608		SA
#N/A	2203-001607	C-CER,CHIP;0.22nF,5%,50V,NP0,1608		SA
#N/A	2203-005105	C-CER,CHIP;0.68nF,5%,50V,C0G,1608		SA
#N/A	2203-005249	C-CER,CHIP;100nF,10%,50V,X7R,1608		SNA
#N/A	2203-005819	C-CER,CHIP;1000nF,+80-20%,16V,Y5V,-,1608		SNA
#N/A	2203-006474	C-CER,CHIP;22000nF,20%,6.3V,X5R,2012		SA

SA : SERVICE AVAILABLE SNA : SERVICE not AVAILABLE DNA : DELIVERY not AVAILABLE

Drawer#	SEC-Code	Description & Specification	Location	Service
#N/A	2203-006676	C-CER,CHIP;10000NF,+80TO-20%,10V,Y5V,201		SNA
#N/A	2203-006818	C-CER,CHIP;47000nF,20%,6.3V,X5R,3216		SA
#N/A	2401-000480	C-AL;10uF,20%,50V,GP,TP,5x11,5		SA
#N/A	2401-002420	C-AL;470UF,20%,16V,WT,TP,10X12,5		SNA
#N/A	2402-001042	C-AL,SMD;100uF,20%,16V,GP,TP,6.6x6.6x5.4		SA
#N/A	2402-001049	C-AL,SMD;10uF,20%,16V,GP,TP,3.3x3.3x5.4		SA
#N/A	2402-001106	C-AL,SMD;33UF,20%,50V,WT,TP,8.3X8.3X6.3M		SA
#N/A	2503-001051	C-NETWORK;100NFX4,20%,16V,-,2012, 4ARRAY		SA
#N/A	2703-002055	INDUCTOR-SMD;2.2UH,20%,6363		SNA
#N/A	2703-002539	INDUCTOR-SMD;6.8uH,20%,6965		SNA
#N/A	2802-001069	RESONATOR-CERAMIC;7.37MHz,0.5%,TP,4.7x4.		SNA
#N/A	2901-001178	FILTER-EMI SMD;25V,2A,-,10000pF,2x1.25x		SA
#N/A	3301-000317	BEAD-SMD;120ohm,2012,TP,-,-		SA
#N/A	3301-000325	BEAD-SMD;60ohm,3.2x2.5x1.3mm,400mA,TP,,,		SNA
#N/A	3301-001084	BEAD-SMD;600ohm,2012,300mA,TP,522ohm/70M		SNA
#N/A	3301-001655	BEAD-SMD;33ohm,3216,3000mA,TP,16ohm/39MH		SA
#N/A	3405-001069	SWITCH-MICRO;125V,5A,30GF,SPDT		SA
#N/A	3501-000203	RELAY-MINIATURE;5V,200MW,1000MA,1FORMC,6		SA
#N/A	3709-001372	CONNECTOR-CARD EDGE;200P,0.6mm,SMD,AUF,S		SA
#N/A	3709-001375	CONNECTOR-CARD EDGE;200P,0.6mm,SMD,AUF,S		SA
#N/A	3711-005861	HEADER-BOARD TO BOARD;BOX,40P,2R,0.8MM,S		SA
#N/A	JB13-00004A	IC ASIC-OPE;SF-3100,HT48C5,SSOP,48P,16.1		SA
#N/A	JB61-00439A	PLATE-STARWHEEL;SCX-1577,SUS,0.2,-,-,-,-		SNA
#N/A	JC13-00029A	IC ASIC-DAVINCI;LPEC2,CLP-600,208,3.3V,-		SA
#N/A	JC13-00030A	IC ASIC-HYPER_C;HYPER-C,CLP-600,256,3.3V		SA
#N/A	JC39-00464A	CBF HARNESS-COVEROPEN;ML-3560,CBF,UL 106	H1244	SA
#N/A	JC39-00535A	CBF HARNESS-PLA COVER;SCX-5530FN,CBF,UL1	Z4337	SA
#N/A	JC41-00175A	PCB-PTL1 B'D;ML-2150,FR-1,1LAYER,-,1.6T,		SNA
#N/A	JC41-00288A	PCB-COVEROPEN;ML-3560,FR-1,1LAYER,-,1.6T		SNA
#N/A	JC41-00289A	PCB-JOINT B'D;ML-3560,FR-1,1LAYER,-,1.6T		SNA
#N/A	JC41-00307A	PCB-FEED;ML-3560,FR-1,1LAYER,-,1.6T,11X2		SNA
#N/A	JC41-00308A	PCB-EXIT;ML-3560,FR-1,1LAYER,-,1.6T,45X1		SNA
#N/A	JC41-00352A	PCB-MAIN;ML-4550,FR-4,6L,-,1.6T,174.2X19		SNA
#N/A	JC41-00353A	PCB-RAM_DIMM;ML-4550,FR-4,6L,-,1.0T,130x		SNA
#N/A	JC41-00354A	PCB-LCD_PANEL;ML-4550,FR-4,2L,-,1.6T,240		SNA
#N/A	JC41-00356A	PCB-EMPTY_SENSOR;ML-4550,FR-1,1L,-,1.6T,		SNA
#N/A	JC47-00010A	LAMP-PTL;90-20-210-167,ML-2150,4.1 X 9.4	L1019	SA
#N/A	JC60-00012A	SPACER-M-DR;ML-3560,POM,-,ID10,OD16.415,		SNA
#N/A	JC61-00631A	HOLDER-M-CR;ML-2150,PC,1.3,-,-,NTR,-		SNA
#N/A	JC61-01186A	FRAME-M-DEV CAP;ML-3560,HIPS,-,HB,BLK,T2		SNA
#N/A	JC61-01189A	BRACKET-P-BLADE;ML-3560,SPCC+NI PLT,T1.2		SNA
#N/A	JC61-01195A	PLATE-M-DEV L;ML-3560,ABS,T2,15.5,54.69,		SNA
#N/A	JC61-01198A	BUSH-M-SUPPLY;ML-3560,POM,ID4.0,OD6.4,9.		SNA
#N/A	JC61-01578A	PLATE-P-ACTUATOR COVER;ML-3560,SUS304,T0		SNA
#N/A	JC61-01688A	FRAME-M DEV HOPPER;ML-4550,HIPS,-,HB,BLK		SNA
#N/A	JC61-01690A	FRAME-M DEV DUCT;ML-4550,HIPS,-,HB,BLK,T		SNA
#N/A	JC61-01707A	HOLDER-M TURBINE;ML-4550,PC,2,6.9,21.3,B		SNA
#N/A	JC61-01729A	BRACKET-FUSER UPPER L;ML-4550,SUS304,T0.		SNA
#N/A	JC61-01730A	BRACKET-FUSER UPPER R;ML-4550,SUS304,T0.		SNA
#N/A	JC61-01731A	HOLDER-PR SHAFT;ML-4550,PPS, RBA313N,T2.		SNA
#N/A	JC61-01745A	BUSH-PRESSURE;ML-4550,PPS,RBA313N,ĳĳ9.0,S		SNA
#N/A	JC61-01774A	SPRING ETC-SEPERATION;ML-4550,SUS304WPB,		SA
#N/A	JC62-00158A	SEAL-HOPPER SIDE;ML-3560,POLYURETHANE FO		SNA
#N/A	JC63-00708A	SHEET-FILM DUCT;ML-3560,PET,0.188,9.5,22		SNA
#N/A	JC63-00709A	SHEET-FILM REAR;ML-3560,PET,0.075,11.2,2		SNA
#N/A	JC63-00724A	COVER-M-SLIDE SENSOR;ML-3560,NYLON+GF25%		SNA
#N/A	JC63-00903A	FELT-CLEAN TONER;ML-3560,ARAMID FIBER,5.		SNA



SA : SERVICE AVAILABLE SNA : SERVICE not AVAILABLE DNA : DELIVERY not AVAILABLE

Drawer#	SEC-Code	Description & Specification	Location	Service
#N/A	JC63-01131A	COVER-FUSER UPPER;ML-4550,PET+GF30%,FR53		SNA
#N/A	JC63-01150A	COVER-FUSER LOWER;ML-4550,PET+GF30%,FR53		SNA
#N/A	JC65-00002A	TERMINAL-P_PTL L;ML-2060,PB(C5210P),-,	K4274	SA
#N/A	JC65-00003A	TERMINAL-P_PTL R;ML-2060,PB(C5210P),-,	K4275	SA
#N/A	JC66-00435A	GEAR-IDLE CR 17;ML-2150,POM, F20-03,0.6,		SNA
#N/A	JC66-00436A	GEAR-CLEAN 23;ML-2150,HYTREL5526 ,0.6,23		SNA
#N/A	JC66-00538A	ROLLER-CLEANING;ML-2150,URETHANE FOAM+SU		SNA
#N/A	JC66-00842A	GEAR-M-OPC MAIN;ML-3560,PC,0.8,40,-,BLK,		SNA
#N/A	JC66-00843A	GEAR-M ID TURBINE;ML-3560,POM,0.6/0.6,16		SNA
#N/A	JC66-00907A	DRUM-OPC;ML-3560,AL 5N01,-,30.04,255,-,U		SNA
#N/A	JC66-00930A	ROLLER-CHARGE;ML-3560,NBR,D12.2,L232,NTR		SNA
#N/A	JC66-01153A	GEAR-IDLE 23 FUSER;ML-3560,HTNFR52G30L,M		SA
#N/A	JC66-01154A	GEAR-IDLE 25 FUSER;ML-3560,NYLON,RAL4032		SNA
#N/A	JC66-01234A	GEAR-M TURBINE;ML-4550,POM,0.6,16,5.1,BL		SNA
#N/A	JC66-01235A	SHAFT-TURBINE;ML-4550,AL,264,OD8,-,-,-		SNA
#N/A	JC66-40369A	GEAR;ML-80,PC LS1250,M0.6,Z50,-,BLK,-,-,		SNA
#N/A	JC67-00186A	CAP-SENSOR_FRAME;ML-4550,PC,-,W53.5,L16.		SA
#N/A	JC68-01633A	LABEL(P)-HOLD RE OPEN;ML-3560,-,PET,T0.0		SNA
#N/A	JC70-00509A	ELECTRODE-P-DEV;ML-3560,SUS301-CSP,-,26.		SNA
#N/A	JC70-00510A	ELECTRODE-P-SR;ML-3560,SUS301-CSP,-,32.1		SNA
#N/A	JC70-00511A	IPR-P-BLADE-DOCTOR;ML-3560,C1720R-1/2HM,		SNA
#N/A	JC70-10989A	IPR-ELECTRODE CHARGE;ML-5000,SUS301 1/2H		SNA
#N/A	JC71-00050A	NPR-EARTH OPC;-ML-2150,C5210P,0.2,-,-,-		SNA
#N/A	JC72-00082A	PMO-BUSHING AGI R;SF-5100,POM,BLK,-,-,-,		SNA
#N/A	JC72-00508A	PMO-HANDLE DEVE;ML-6060,PC,BLK,-,-,HB,-,		SNA
#N/A	JC72-00509A	PMO-HOLDER HANDLE;ML-6060,HIPS,BLK,-,-,H		SNA
#N/A	JC72-10008A	PPR-FILM_HOPPER;ML-80,PP+PE,-,-,-,-,-,		SNA
#N/A	JC72-40332A	PMO-BUSHING_CHARGE;ML-80,POM,BLK,HB,-		SNA
#N/A	JC73-00225A	RUBBER-IDLE;ML-3560,EP+NR,D=26.8,30,6.5,	C4023	SA
#N/A	JC73-40906A	RMO-SEAL AGITATOR;ML-5000,SANTOPRENE,-,-		SNA
#N/A	JC94-00288A	PHANTOM AU JC92-01336A		SNA
#N/A	JC94-01197A	PHANTOM AU JC92-01826A		SNA
#N/A	JC94-01199A	PHANTOM AU JC92-01807A		SNA
#N/A	JC96-04058B	ELA UNIT-HEAT;ML-4550,-,-,FUSER,220V,-,-		SA
#N/A	JC96-04059A	ELA UNIT-THERMOSTAT L;ML-4550,-,-,-,-,-,		SA
#N/A	JC96-04060A	ELA UNIT-ELECTRODE R;ML-4550,-,-,-,-,-		SNA
#N/A	JC97-01088A	MEA RACK-BUSHING AGI;ML-6000,SEC,KOR,POM		SA
#N/A	JC97-02214A	MEA UNIT-AGITATOR;ML-3560,SAMSUNG,-,AGIT		SNA
#N/A	JC97-02663A	MEA UNIT-EXIT F_UP;ML-4550,-,-,SUM+EPDM,		SA
#N/A	0401-000005	DIODE-SWITCHING;1N4148,75V,150mA,DO-35,T		SA
#N/A	0407-000101	DIODE-ARRAY;DA204K,20V,100mA,C2-3,SOT-23		SA
#N/A	0601-001908	LED;ROUND,RED,3MM,630NM,3.2X4.6MM		SNA
#N/A	1103-001367	IC-EEPROM;AT88SC0204C,2KBIT,256X8BIT,SOP		SNA
#N/A	2001-000935	R-CARBON;68OHM,5%,1/4W,AA,TP,2.4X6.4MM		SA
#N/A	3404-000165	SWITCH-TACT;12V,50mA,160gf,6x6mm,SPST	D2158	SA
#N/A	4712-001029	THERMOSTAT;125/250VAC,15/10A,170+-5C,0C,	K4280	SA
#N/A	6006-000127	SCREW-MACHINE;WS,PH,+M3,L6,ZPC(YEL),SWR		SNA
#N/A	JC39-00638A	HARNESS-ERASE;ML-4550,UL1061,-,2,-,BLACK		SA
#N/A	JC39-40511A	CBF HARNESS;ML-80,JUMPER,AWG22,52mm,SILV	D2176	SA
#N/A	JC41-00355A	PCB-TONER_CONNECTOR;ML-4550,FR-4,2L,-,1.		SNA
#N/A	JC41-00357A	PCB-CRUM;ML-4550,FR-4,2L,-,1.6T,130x166.		SNA
#N/A	JC41-10517A	PCB-CASSETTE;ML-165,FR-4,2L,-,1.6MM,55*5		SNA
#N/A	JC41-10519A	PCB-PTL;ML-165,FR-1,1L,T1.6mm,217.7X9m		SNA
#N/A	JC61-01738A	BRACKET-HEAT INNER;ML-4550,SUS304,T0.3,1		SNA
#N/A	JC62-00313A	TUBE-SMALL_F_UP;ML-4550,-,-,-,22.7,BLK,-		SNA
#N/A	JC62-00314A	TUBE-MIDDLE_F_UP;ML-4550,-,-,-,37.0,BLK,		SNA
#N/A	JC62-00315A	TUBE-LARGE_F_UP;ML-4550,-,-,-,72.0,BLK,-		SNA

SA : SERVICE AVAILABLE SNA : SERVICE not AVAILABLE DNA : DELIVERY not AVAILABLE

Drawer#	SEC-Code	Description & Specification	Location	Service
#N/A	JC63-00710A	SHEET-FILM AGITATOR;ML-3560,PET,0.125,24		SNA
#N/A	JC66-01264A	ROLLER-EXIT_F/UP;ML-4550,SUM+EPDM,17.6,-		SNA
#N/A	JC66-01266A	GEAR-FUSER;ML-4550,PPS,OFL4036,M1,Z49,-,		SNA
#N/A	JC67-00184A	CAP-END;ML-4550,PPS, OFL4036,t2,D38.0,18		SNA
#N/A	JC67-00185A	CAP-CARBON BRUSH;ML-4550,PET+GF30%,FR530		SNA
#N/A	JC71-00057A	ELECTRODE-P-FU_R_08;ML-3560,T0.8,20.2,32		SNA
#N/A	JC72-01353A	PMO-M AGITATOR;ML-3560,ABS,BLK,223.6,-,-		SNA
#N/A	JC72-41050A	PMO-BUSHING AGITATOR;ML-7000,POM(M90-44)		SA
#N/A	JC73-40902A	RMO-SEAL AGITATOR;ML-7000,SANTOPRENE,9*4		SA
#N/A	JC96-03655A	ELA UNIT-CARBON&SP;ML-3560,SEC,USA,BRUSH	K3054	SA
#N/A	JC67-00104A	BRUSH-CARBON;ML-3560,SM190,-,D9,9.5,-,-	B0020	SNA