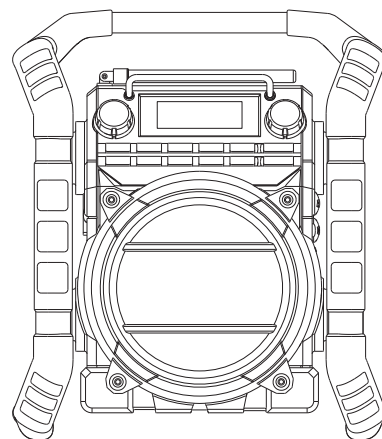


U4



GB

Version 1




The Bluetooth® word mark and logos are registered trademarks owned by Bluetooth SIG, Inc. and any use of such marks by SANGEAN ELECTRONICS INC. is under license.



Sangean U4 powered by Qualcomm® aptX™ audio.

Qualcomm is a trademark of Qualcomm Incorporated, registered in the United States and other countries, used with permission. aptX is a trademark of Qualcomm Technologies International, Ltd., registered in the United States and other countries, used with permission.

IMPORTANT SAFETY INSTRUCTIONS

1. Read these instructions.
2. Keep these instructions.
3. Heed all warnings.
4. Follow all instructions.
5. Do not use this apparatus near water.
6. Clean only with dry cloth.
7. Do not block any ventilation openings. Install in accordance with the manufacturer's instructions.
8. Do not install near any heat sources such as radiators, heat registers, stoves, or other apparatus (including amplifiers) that produce heat.
9. Do not defeat the safety purpose of the polarized or grounding type plug. A polarized plug has two blades with one wider than the other. A grounding type plug has two blades and a third grounding prong. The wide blade or the third prong are provided for your safety. If the provided plug does not fit into your outlet. Consult an electrician for replacement of the obsolete outlet.
10. Protect the power cord from being walked on or pinched particularly at plugs, convenience receptacles, and the point where they exit from the apparatus.
11. Only use attachments/accessories specified by the manufacturer.
12. Use only with the cart, stand, tripod, bracket, or table specified by the manufacturer, or sold with the apparatus. When a cart is used, use caution when moving the cart/apparatus combination to avoid injury from tip-over. 
13. Unplug this apparatus during lightning storms or when unused for long periods of time.
14. Refer all servicing to qualified service personnel. Servicing is required when the apparatus has been damaged in any way, such as power-supply cord or plug is damaged, liquid has been spilled or objects have fallen into the apparatus, the apparatus has been exposed to rain or moisture, does not operate normally, or has been dropped.
15. To Reduce the Risk of Fire or Electric Shock, Do not Expose This Appliance To Rain or Moisture.
16. The Shock Hazard Marking and Associated Graphical Symbol is provided on the rear of unit.
17. Apparatus shall not be exposed to dripping or splashing and no objects filled with liquids, shall be placed on the apparatus.
18. Excessive sound pressure on ear- and headphones could impair the hearing ability. Higher setting that idle on the equalizer leads to higher signal voltages on the output for ear and headphones.
19. The power plug should be close to the radio, and easy to be approached that during the emergency, to disconnect the power from the radio, just unplug the power plug from the AC power slot.
20. Where the MAINS plug or an appliance coupler is used as the disconnect device, the disconnected device shall remain readily operable.
21. The batteries shall not be exposed to excessive heat such as sunshine, fire or the like.
22. This apparatus is provided with protection against splashing water and dust ingress (IP64).

For United States:



Cautions to the user

The changes or modifications not expressly approved by the party responsible for compliance could void the user's authority to operate the equipment.

RF exposure statements

IMPORTANT NOTE:

To comply with the FCC RF exposure compliance requirements, the antenna(s) used for this transmitter must be installed to provide a separation distance of at least 20cm (8 inches) from all persons and must not be co-located or operating in conjunction with any other antenna or transmitter. No change to the antenna or the device is permitted. Any change to the antenna or the device could result in the device exceeding the RF exposure requirements and void user's authority to operate the device.

Note:

This equipment has been tested and found to comply with the limits for a Class B digital device, pursuant to part 15 of the FCC Rules.

These limits are designed to provide reasonable protection against harmful interference in a residential installation. This equipment generates, uses and can radiate radio frequency energy and, if not installed and used in accordance with the instructions, may cause harmful interference to radio communications.

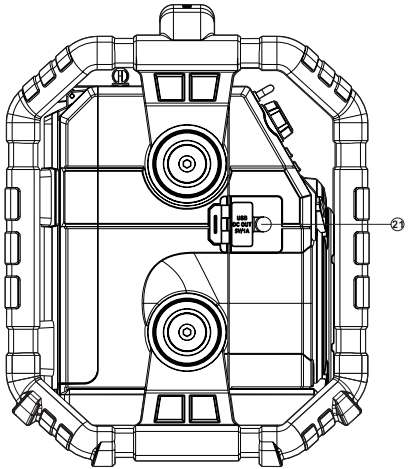
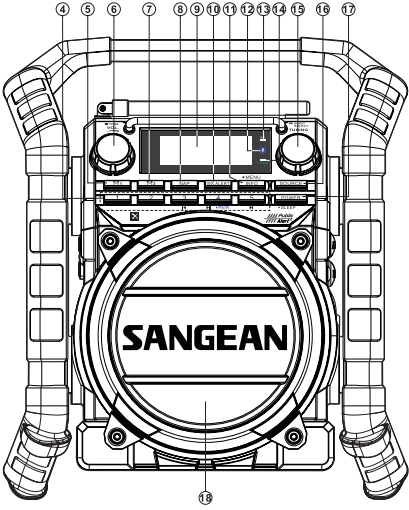
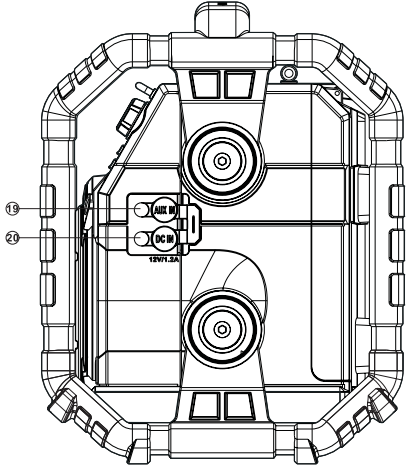
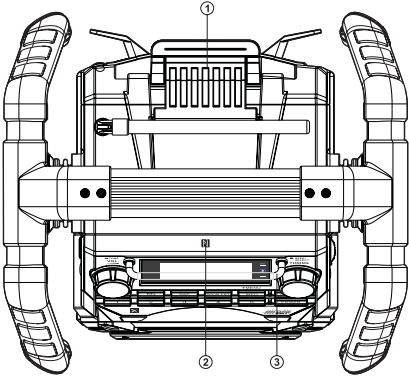
However, there is no guaranty that interference will not occur in a particular installation. If this equipment does cause harmful interference to radio or television reception, which can be determined

by turning the equipment off and on, the user is encouraged to try to correct the interference by one or more of the following measures:

- Reorient or relocate the receiving antenna.
- Increase the separation between the equipment and receiver.
- Connect the equipment into an outlet on a circuit different from that to which the receiver is connected.
- Consult the dealer or an experienced radio/TV technician for help.

CAUTION:

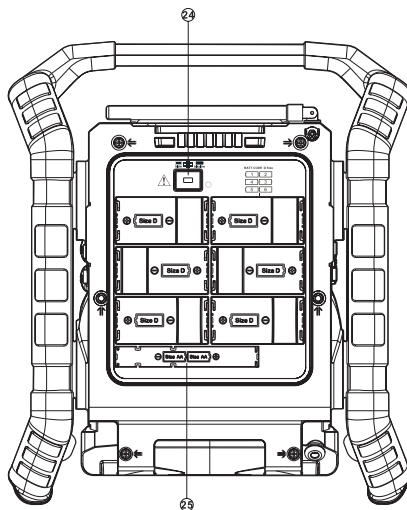
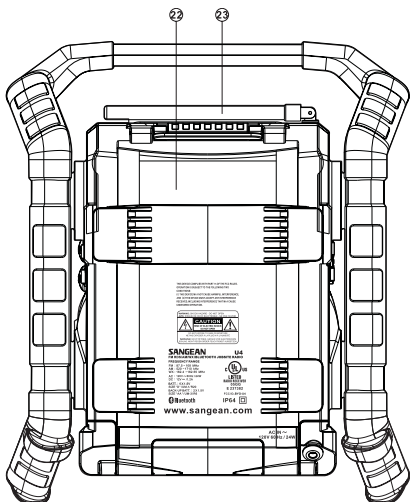
These servicing instructions are for use by qualified service personnel only. To reduce the risk of electric shock, do not perform any servicing other than that contained in the operating instructions unless you are qualified to so.



Controls

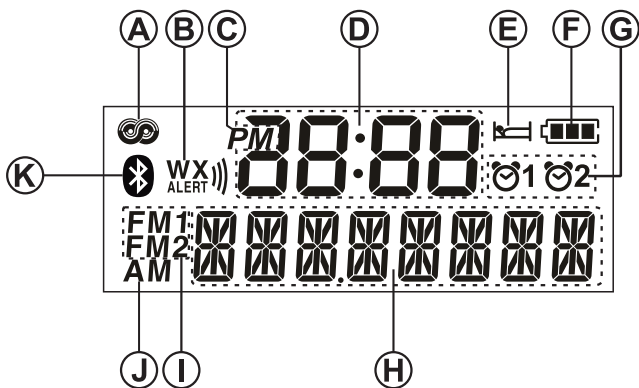
- ① Battery locker
- ② NFC detection tag
- ③ Display protection bar
- ④ Preset button (Preset 3: Previous track button/Preset 4: Play/Pause/Bluetooth pair button/Preset 5: Next track button)
- ⑤ Alarm 1 button
- ⑥ Volume control/Tone control
- ⑦ Alarm 2 button
- ⑧ Nap button
- ⑨ LCD display
- ⑩ WX alert button (Weather Alert button)
- ⑪ Info/Menu button
- ⑫ Bluetooth status indicator
- ⑬ WX LED indicator (Weather Alert LED indicator)
- ⑭ Battery charging indicator
- ⑮ Tuning control knob/Select/Seek button
- ⑯ Source button
- ⑰ Power button/Sleep button
- ⑱ Speaker
- ⑲ Auxiliary input socket
- ⑳ DC in socket
- ㉑ USB charging socket
- ㉒ Battery compartment
- ㉓ Rod antenna
- ㉔ NiMH/Alkaline batteries switch
- ㉕ Back up battery compartment

GB



LCD Display

- (A) RBDS indicator
- (B) Weather Alert indicator
- (C) PM time indicator
- (D) Clock digits
- (E) Sleep indicator
- (F) Battery power status
- (G) Alarm 1 and 2 indicator
- (H) Text/Frequency/Date display
- (I) FM mode indicator
- (J) AM mode indicator
- (K) Bluetooth mode indicator



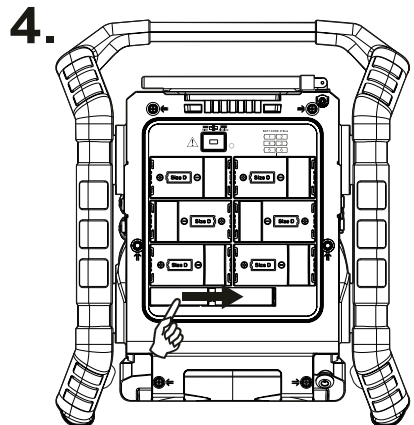
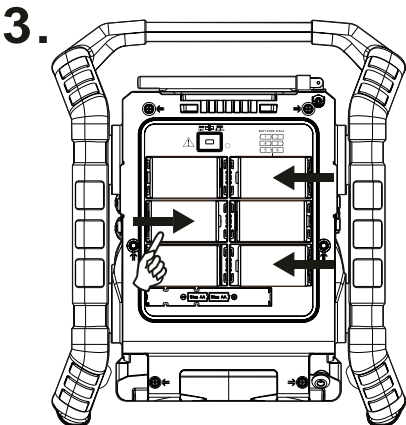
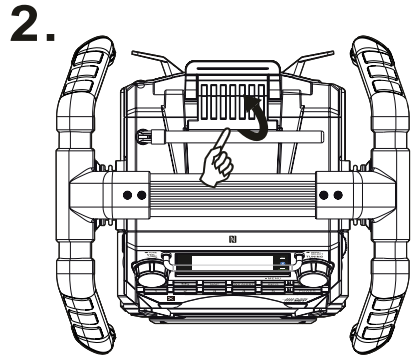
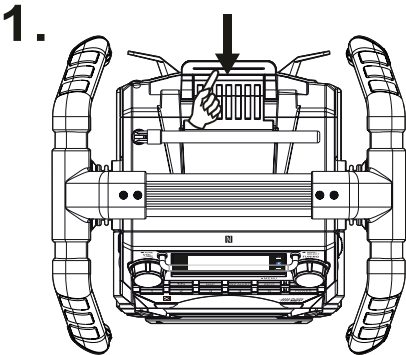
Power the radio

Note: No batteries are included with this radio.

Back up battery is to back up the preset stations and also clock functions during power outage, not for formal radio operation. It is necessary to insert back up battery (2 x UM-3 1.5V, AA not supplied) for memory back up even if you use AC power only. Without the backup battery, time and preset station will get lost if you remove the AC power cord from AC outlet or during AC power failure.

Back up battery compartment is located below the main battery compartment. Insert 2 x AA size (UM-3) battery and ensure the battery is inserted in accordance with the diagram shown.

GB



1. Battery operation

Pull out the battery compartment locker to release battery compartment. Insert 6 x D size (UM-1) battery into the compartment. Ensure the battery is inserted in accordance with the diagram shown.

Return the battery locker to the original position. If the radio is not to be used for an extended period of time, it is recommended that the batteries are removed from the radio.

• Battery operation using alkaline batteries

1. Before you insert the batteries, if you use non-rechargeable batteries, make sure the NiMH/ Alkaline switch which is located inside the battery compartment is switched to Alkaline position. If you use rechargeable batteries, make sure to switch NiMH/ Alkaline switch to NiMH position.
2. Reduced power, distortion and a "stuttering sound" are all signs that the batteries need replacing.

• Battery operation using rechargeable batteries

1. Slide the battery switch to the NiHM position.
2. Insert 6 UM-1 (D) batteries into spaces in the compartment. Make sure all batteries are inserted with the correct polarity as shown in the battery compartment. The radio is also designed to be used with NiMH rechargeable batteries.
3. Make sure the radio is switched off and connected to an AC outlet . When the charge indicator flashes green this indicates that the batteries are charging. Batteries will be fully charged in about 10 hours. The battery charge indicator will show a steady green light when the battery charging is complete.

Note:

Duration for charging your batteries fully can vary depending on the mAh capacity of a battery. Higher mAh batteries require longer charging time.

Important:

Under some conditions the charging LED indicator may switch off after flashing briefly. This may happen if the batteries are already freshly charged, or if the radio detects that you may be attempting to recharge alkaline batteries or mixed different types or capacity of rechargeable battery. In these cases the charging will be stopped.

2. AC Power operation

Before you plug the AC cord into the AC socket, be sure the voltage is correct. If you have batteries in the radio and use the AC power cord, the batteries will automatically be disconnected. The AC cable hook is designed to store the cord when the radio is not in use.

IMPORTANT:

The AC Cord is used as the means of connecting the radio to your power supply. The AC Cord used for the radio must remain accessible during normal use. In order to disconnect the radio from your main power supply completely, the AC Cord should be removed from your main power supply completely.

3. Powered via DC IN socket

The radio can also be powered via the DC IN socket which can allow 12Volt DC. An additional 12Volt DC power adapter or DC power source not supplied for this device.

"This product is intended to be supplied by a Listed Power Adapter or DC power source, rated 12Vdc, 1.2A min. and Tma 35 degree C min., if need further assistance, please contact SANGEAN for further information."

Note:

Never use the 12 Volt socket in rainy or moist conditions to prevent moisture from entering the radio. Always keep the rubber covers well closed under these conditions.

IMPORTANT INFORMATION ON CHARGING AND USING RECHARGEABLE BATTERIES

GB

1. Recharge the batteries in any case at least every 2 months.
2. Make sure the Battery Select switch inside the battery compartment is set to the “CHARGER” position.
3. Put the batteries in the compartment while paying attention to the correct polarity of the batteries (+ and -).
4. First use: Charge new batteries in one continuous, uninterrupted, charge until they are full. This first charge may take longer than normal. For longer battery life it is advised to always recharge in one continuous, uninterrupted charge until batteries are full and to not recharge again while the batteries are still full.
5. New batteries will only reach their full capacity after some time of use (several charge and discharge cycles).
6. Leave the complete group of batteries in place inside the radio and do not use these batteries or a few of them for other purposes. This will result in a mix of (fully) charged and (partly) empty batteries. This can seriously damage the batteries and radio when recharged.
7. It is advised to only charge batteries at room temperatures between 5 degrees C – 35 degrees C. In lower or higher temperatures full charge cannot be achieved.
8. Depending on the capacity of the batteries, charging from “empty” to “full” can take several hours, even up to 10 hours or more.
9. Do not charge batteries when the radio is hot or exposed to heat or heat sources.
10. It is advised to clean the metal contacts of the batteries and of the charger inside the radio.
11. Do not use a mix of old and new rechargeable batteries.
12. Do not use a mix of rechargeable and non-rechargeable batteries.
13. Do not use a mix of full and empty rechargeable batteries.
14. Do not use batteries that have a different mAh capacity.
15. Do not use damaged, deformed or leaking batteries.
16. Battery level indicator used.
17. Batteries can be used.
18. In cold conditions temperature.
19. Batteries (even warranty conditions).
20. Batteries should be used.
21. Disposable batteries.
22. Caution: Danger equivalent type.
23. It is advised to rechargeable specifications of

24.- replacement of a **battery** with an incorrect type that can defeat a **safeguard** (for example, in the case of some **lithium battery** types);
- disposal of a **battery** into fire or a hot oven, or mechanically crushing or cutting of a **battery**, that can result in an **explosion**;
- leaving a **battery** in an extremely high temperature surrounding environment that can result in an **explosion** or the leakage of flammable liquid or gas;
- a **battery** subjected to extremely low air pressure that may result in an **explosion** or the leakage of flammable liquid or gas.






Battery charging status indication



Please note that the battery charging status detection can only be activated when the radio is in charging mode (i.e. the radio is switched off, the battery switch is in the NiHM position and it is connected to an AC outlet).

1. Make sure the radio is switched off and connected to the AC outlet when charging the batteries.
2. Press the Info/Menu button until a beep sounds to enter the menu setting.
3. Rotate the Tuning control knob until "BATTERY" shows on the display.

Press the Tuning control knob to see the overall battery charging status.

Then rotate the Tuning control knob to view the individual battery status if required.

<p>When charging is in progress, display is shown at right and the charging indicator flashes green.</p>	
<p>When the charging process is completed, display is shown at right and the charging indicator lights in steady green.</p>	
<p>If charging process is terminated, the radio can detect the faulty batteries which cause the charging failure. Enter the menu and it will show the overall battery charging status (see the first picture at right). Then rotate the Tuning control to view each battery status (e.g. The second picture indicates that Battery 5 is in good condition. The third screen at right indicates that Battery 1 is detected as faulty/damaged).</p>	  

<p>If you intend to charge the batteries but the charging indicator does not flash, it indicates the batteries are already fully charged. Display is then shown at right and it will switch to standby mode after 10 seconds.</p>	
<p>When there is no battery/missing batteries in the compartment or some of batteries are inserted with the incorrect polarity, display is shown at right and it will enter standby screen after 10 seconds.</p> <p>Note: If a battery is removed while charging, display is shown at right and the charging indicator lights red.</p>	

Note:

Your radio can keep a continuous charge for 16 hours and it will terminate the charging process after this duration with no exception, as it is considered as charging completed.

Operating your radio – FM/AM Auto-Tune

1. Straighten the antenna.
2. Press the Power button to switch on your radio.
3. Press and release the Source button until the FM (1 or 2)/AM band is selected.
4. To scan up in frequency, first rotate the Tuning control knob in a clockwise direction and then press the Tuning control knob. Your radio will scan in an upwards direction (low frequency to high frequency) and stop automatically when it finds a station of sufficient strength. To scan down in frequency, first rotate the Tuning control knob in a anti-clockwise direction and then press the Tuning control knob. Your radio will scan in a downwards direction and stop automatically when it finds a station of sufficient strength. After a few seconds the display will update. The display will show the frequency of the signal found. If the signal is strong enough and there is RBDS data present then the radio will display the station name.
5. When the end of the waveband is reached, your radio will recommence tuning from the opposite end of the waveband.
6. Adjust the Volume control to the required setting.
7. To switch off your radio, press the Power button.

Note:

If you find the reception is poor, try repositioning the antenna.

It may be necessary to relocate your radio to a position giving better reception and carry out a scan to find stations.

Manual tuning – FM/AM

1. Straighten the antenna.
2. Press the Power button to switch on your radio.
3. Press and release the Source button until the FM (1 or 2)/AM band is selected.
4. Rotate the Tuning control knob to tune to a station. The FM frequency will change in steps of 100KHZ/50KHZ and AM frequency will change in steps of 10KHZ/9KHZ.
5. When the waveband end is reached the radio will recommence tuning from the opposite waveband end.
6. Set the Volume control to the desired setting.

Setting tuning step

1. Turn off the radio.
2. Press and hold the Source button to enter the tuning step menu setting.
3. Rotate the Tuning control knob until FM xKHZ or AM xKHZ appears on the display, and press the Tuning control knob to enter FM or AM step setting.
4. Rotate the Tuning control knob to select 50 KHZ/100 KHZ for FM radio, and 9 KHZ/10 KHZ for AM radio. Then press the Tuning control knob to confirm the setting.

Note:

The tuning steps for North America are FM: 100 kHz and AM: 10 kHz

The rest of the world is FM: 50 kHz and AM: 9 kHz

Note:

Change in the AM tuning step setting will result in the removal of an AM presets stored in the radio, this is not the case for your FM tuning steps.

GB

Display options – FM

Your radio has a range of display options for FM mode:

The Radio Broadcast Data System (RBDS) is a system in which inaudible digital information is transmitted in addition to the normal FM radio program. RBDS offers several useful features. The following are available on your radio.

1. Press and release the Info/Menu button to cycle through the various options.
 - a. Program service name Displays current station name.
 - b. Program type Displays type of station being listened to e.g. Pop, Classic, News, etc.
 - c. Radio text Displays scrolling text messages such as the artist or track name, phone in number, website address, etc.
 - d. Year/Day Displays the current year and day of the week according to the date setting of your radio.
 - e. Month/Date Displays the current month and date according to the date setting of your radio.
 - f. Frequency Displays the frequency of the station being listened to.

Note:

If no RBDS information is available, the radio will be unable to display the program service name, program type and radio text information.

Presetting stations – FM/AM/WX

You may store your preferred radio stations to the preset station memories. There are 20 memory presets in your radio 5 each for FM1, FM2, 5 AM and 5 WX. Presets are memorized by your radio in the event of a power failure.

The procedure for setting presets and using them to tune stations is the same for FM, AM and weather mode, and is described below.

1. Press the Power button to switch on the radio.
2. Press the Source button to select the FM (1 and 2) AM or weather band.
3. Tune to the required station as previously described.
4. Press and hold the required Preset button until the radio beeps and the preset number (e.g. P2) will show on the display. The station will be stored under the chosen preset button. Repeat this procedure as needed for the remaining presets. Stations stored in preset memories may be overwritten by following the above procedure.

Recalling a preset station- FM/AM/WX

1. Press the Power button to switch on the radio.
2. Press and release the required waveband by pressing the Source button.
3. Press and release the required Preset button to cause your radio to tune to the station stored in preset memory.

Weather alert system

The weather alert function on the radio can alert you to special weather related emergencies. During an emergency or weather related hazard, NOAA issues an emergency tone that will set off an audible and/or visual alarm on the radio.

Note:

Hazard warnings are not available in all areas. There are 7 standard NOAA weather channels used in the US and Canada. The radio receives broadcasts up to 40 miles from transmitting stations.

1. To listen to the standard NOAA weather channels, turn on the radio.
Then press the Source button until the channel number of the weather station (e.g WB7CH) is shown on the display.
2. Rotate the Tuning control knob to select the programmed channels. There should be one or more weather service stations broadcasting in your local area. If there is a severe weather or weather-related emergency, NOAA will update weather broadcast more frequently. If there is a weather emergency, NOAA will issue an alert tone.

Setting the weather alert

1. Follow the steps above to tune to the required weather station.
2. Press and hold WX Alert button until Weather Alert indicator (**WX**
ALERT) is shown on the display to activate the weather alert mode. The Weather Alert LED shows a steady red light.

Note:

When the radio is set to the weather alert mode, all the buttons on the front panel will be invalid.

3. If NOAA issues a weather related emergency, the radio will automatically alert you with a siren continuing for 15 seconds and the Weather Alert indicator and WX red LED will both blink and can continue to blink for approx. an hour if you do not press any button. After 15 seconds of siren, your radio will play the selected weather channel broadcast automatically for 12 minutes. Then the radio will be put into weather alert standby mode.

Note:

When the siren is active, pressing any button on the radio instantly turns the radio to the selected weather broadcasting and cancels the siren.

To stop playing the selected weather broadcasting, press WX Alert button or Power button. The display will show "OFF" and the Weather Alert indicator and WX red LED will stop flashing. Then the radio will be put into weather alert standby mode.

Setting Siren volume

1. Press the Info/Menu button until a beep sounds to enter the menu setting.
2. Rotate the Tuning control knob until "SIREN" shows on the display. Press the Tuning control knob to enter the setting.
3. Rotate the Tuning control knob to select your required siren volume and press the Tuning control knob to confirm the setting.

Turning off the weather alert function


Press and hold the WX Alert button until "ALERT OFF" is shown on the display to turn off the weather alert function. The Weather Alert indicator will disappear on the display.

Listening to music via Bluetooth streaming

You need to pair your Bluetooth device with your radio before you can auto-link to play/stream Bluetooth music through your U4.

Pairing creates a 'bond' so two devices can recognize each other.

Pairing your Bluetooth device for the first time


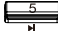
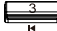
1. Press the Power button to switch on the radio.
2. Press the Source button to select the Bluetooth mode. The Bluetooth status indicator () on the panel flashes blue to show the radio is discoverable.
3. Activate Bluetooth on your device according to the device's user manual to link to the radio. Locate the Bluetooth device list and select the device named 'SANGEAN U4'. With some Smartphone's (which are equipped with earlier versions than BT2.1 Bluetooth device), you may need to input the pass code "0000".
4. Once connected, the Bluetooth icon will remain in solid blue. You can simply select and play any music from your source device. Volume can be adjusted from your source device, or directly on your radio.

Note:

- 1) If 2 Bluetooth devices, pairing for the first time, both search for your radio, it will show its availability on both devices. However, if one device links with this unit first, then the other Bluetooth device won't find it on the list.
- 2) If you take your source device out of range, the connection will be temporarily disconnected to your radio. Your radio will automatically reconnect if the source device is brought back in range. Be aware that during the period of disconnection, no other Bluetooth device can pair or link with your radio.
- 3) If 'SANGEAN U4' shows in your Bluetooth device list but your device cannot connect with it, please delete the item from your list and pair the device with the radio again following the steps described previously.
- 4) The effective operation range between the system and the paired device is approximately 10 meters (30 feet). Any obstacle between the system and the device can reduce the operational range.
- 5) Bluetooth/NFC connectivity performance may vary depending on the connected Bluetooth devices. Please refer to the Bluetooth capabilities of your device before connecting to your radio. All features may not be supported on some paired Bluetooth devices.

Playing audio files in Bluetooth mode

When you have successfully connected your radio with the chosen Bluetooth device you can start to play your music using the controls on your connected Bluetooth device.

1. Once playing has started adjust the volume to the required setting using the Volume control on your radio or on your enabled Bluetooth device.
2. Use the controls on your device to play/pause and navigate tracks. Alternatively, control the playback using Play/Pause(), Next track(), Previous track buttons() on the radio.

Note:

- 1) That not all player applications or devices may respond to all of these controls.
- 2) Some mobile phones may temporarily disconnect from your radio when you make or receive calls. Some devices may temporarily mute their Bluetooth audio streaming when they receive text messages, emails or for other reasons unrelated to audio streaming. Such behavior is a function of the connected device and does not indicate a fault with your radio.

Pairing another device to your radio

Before pairing another device to the radio, you need to make the radio discoverable.

1. Press and hold the Bluetooth pair button to make the radio discoverable again and the Bluetooth status indicator flashes.
2. Follow steps 3-4 in the previous section of 'Pairing your Bluetooth device for the first time.

Playing previously-paired devices

This unit can memorize up to 8 sets of paired device, when the memory exceed this amount, the earliest device will be over written.

If your Bluetooth device has already paired with your radio previously, the unit will memorize your Bluetooth device and it attempts to reconnect with a device in the memory which was last connected. If the last connected device is not available, the radio will be discoverable.

Disconnecting your Bluetooth device

Press the Source button to select any mode other than Bluetooth mode to disable the connection.

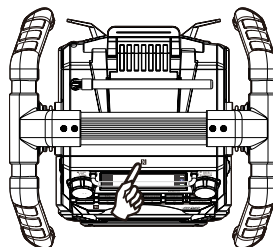
You can also press and hold the Bluetooth pair button to disconnect the link or turn off Bluetooth on your Bluetooth device to disable the connection.

If you disconnect the Bluetooth device when you are in Bluetooth mode, the LED light for Bluetooth icon will then start to flash indicating Bluetooth is discoverable again for pairing.

Pairing and playing your device via NFC

The U4 is equipped with wireless NFC (Near Field Communication) feature, allowing playing of NFC-enabled devices to pair and play the music. For non-NFC devices, please refer to the above sections for standard Bluetooth pairing.

1. Turn on your NFC feature on your device. (**Important:** Please make sure the screen of your playing device is **on and unlocked** to allow NFC to work.)
2. Touch the NFC area of your playing device against the NFC area marked on the top panel of the U4. The unit will switch to Bluetooth mode and enter automatic pairing. If you pair with the U4 for the first time, your NFC-enabled device will be asked the permission to link with the radio. Once paired with a device, the Bluetooth icon will remain illuminated.
3. Use the controls on your device or on your radio to play/ pause and navigate tracks.



Note:

1. If you would like to link another Bluetooth device for the first time via NFC, disconnect the existing linked Bluetooth device first.
2. The location of the NFC detection area is not the same on all devices. When connecting with other Bluetooth device via NFC, refer to the User guide of your device for more information.
3. Some metallic cases or covers for mobile phones may reduce the sensitivity of NFC. Make sure you remove it, before activating the NFC.

Disconnecting your NFC-enabled device


To disconnect your device, simply touch it again on the top of the unit. The LED light for Bluetooth icon will then start to flash indicating your radio is discoverable again for pairing.

(**Important:** Please make sure the screen of your playing device is **on and unlocked** to allow NFC to work.)

Clock

Setting the clock automatically

You can enable auto clock time adjustment by RBDS (Radio Broadcast Data System) CT function. Clock time can be automatically adjusted by an FM RBDS station.

1. You can access the menu setting when the radio is in power on or standby mode.
2. Press the Info/Menu button until a beep sounds to enter the menu setting.
3. Rotate the Tuning control knob until a clock symbol  appears on the display. Press the Tuning control knob to enter the setting menu.
4. Rotate the Tuning control knob to select "RBDS CT" and press the Tuning control knob to confirm the setting.
5. Select a FM radio station which provides RBDS CT service, the clock time of the radio will set up automatically according to the RBDS data received. The RBDS indicator will also appear on the display indicating the radio time is RBDS clock time.
6. If you want to disable the clock time (CT) automatic adjustment function, press and hold the Info/Menu button and rotate the Tuning control knob until "RBDS CT" appears on the display. Press the Tuning control knob, the "RBDS CT" will flash on the display. Rotate the Tuning control knob to select "MANUAL" and press the Tuning control knob to confirm the setting. Please refer to the later section "Setting the clock manually" and "Setting the date manually" to set the clock time and date.

Note:

- 1) The radio clock time will be valid for 24 hours each time the radio time is synchronized with RBDS CT.
- 2) If clock time from local RBDS station is not correct, you should consider disabling the RBDS CT function.
- 3) Please note that at times the RBDS signal may broadcast the wrong time, this is the fault of the radio station and not your radio.

Setting the clock manually

The clock can be set when the radio is powered on or off. The display will show "--:--" when the batteries are installed or when the radio is connected to your main power supply. When choosing the manual setting as the clock time setting of your radio, the "RBDS CT" function will be disabled.

1. Press the Info/Menu button until a beep sounds to enter the menu setting.
2. Rotate the Tuning control knob until "CLOCK SET" shows on the display. Press the Tuning control knob to enter the setting. The hour digit will flash on the display.
3. Rotate the Tuning control knob to set the desired hour. Then press the Tuning control knob to confirm the setting. The minute digit will flash on the display.
4. Rotate the Tuning control knob to set the desired minute. Then press the Tuning control knob to confirm the setting.

Setting the date manually

1. Press the Info/Menu button until a beep sounds to enter the menu setting. Rotate the Tuning control knob until "DATE SET" shows on the display. Press the Tuning control knob to enter the setting.
2. Rotate the Tuning control knob to adjust the year. Then press the Tuning control knob to confirm the setting. The month digits will flash.
3. Press the Tuning control knob to adjust the month. Then press the Tuning control knob to confirm the setting. The date digits will flash.
4. Rotate the Tuning control knob to adjust the date. Then press the Tuning control knob to confirm the setting. Now the date setting is completed.

Setting date format

1. Press the Info/Menu button until a beep sounds to enter the menu setting.
2. Rotate the Tuning control knob until a date (e.g. JAN--1) shows on the display. Press the Tuning control knob to enter the setting.
3. Rotate the Tuning control knob to choose your desired format. Press the Tuning control knob to confirm the setting.

Setting 12/24 hour clock format

1. Press the Info/Menu button until a beep sounds to enter the menu setting.
2. Rotate the Tuning control knob until "CLOCK 12 (or 24)" shows on the display. Press the Tuning control knob to enter the setting.
3. Rotate the Tuning control knob to select 12 or 24 hour clock format. Press the Tuning control knob to confirm the setting. The selected format is used in standby mode and on the playing mode screen. If the 12 hour clock format is chosen, the radio will then use the 12 hour clock with a PM indicator.





Alarms

Your radio has 2 separate alarms which can be set to wake you to FM/AM radio or buzzer alarm. Each alarm can be set to sound once, daily, on weekdays or at weekends. The alarms can be set whether the radio is on or in standby mode. In the event of a power interruption your radio has a built in memory chip that will maintain your alarm settings for when the power is restored. Ensure that the clock time is set correctly before setting the alarms.

Note:

If no buttons are pressed for 10 seconds, the radio will exit the alarm setup.

Setting an alarm

1. Press and hold any of Alarm button ( or ) for more than 3 seconds until Alarm 1 icon or Alarm 2 icon flash on the display.(e.g. Alarm 1 button to enter the alarm 1 setting).
2. The hour setting of alarm 1, for example, will begin to flash. Rotate the Tuning Control knob to select the required alarm hour and press the Tuning control knob to confirm the setting. Rotate the Tuning control knob to select the required alarm minute and press the Tuning control knob to confirm the setting.
3. Then the display will show the frequency options for the alarm. Rotate the Tuning control knob to select the desired option and press the Tuning control knob to confirm the setting.
The alarm options are as follows:
ONCE – the alarm will sound once
DAILY – the alarm will sound everyday
WEEKDAY – the alarm will sound only on weekdays
WEEKEND – the alarm will sound only at weekends
4. Rotate the Tuning control knob to choose the required alarm type, and then press the Tuning control knob to confirm the setting. The alarm can be set to BUZZER, FM TUNER or AM TUNER. When the BUZZER mode is selected, please go to step 5 to set alarm volume. When radio mode is selected, the radio frequency on the display will begin to flash. Rotate the Tuning control knob to adjust the required radio frequency or press the corresponding preset button to select the required preset number for the alarm, then press the Tuning control knob to confirm the setting.
5. Rotate the Tuning control knob to select the required alarm volume and press the Tuning control knob to confirm the setting. The alarm has now been set. Symbol for active alarm (such  1 asor  2) is shown on the display.

Note:

Alarm radio can't be activated when the radio is enabled with the weather alert function. Buzzer alarm will be activated instead.

6. To view the status of the alarm setting, press and release the Alarm 1 (or Alarm2) button. To quick change the ALARM OFF/DAILY (for example) status of the alarm, press and hold the corresponding alarm button (i.e. Alarm 1 or Alarm 2 button) for 2 seconds until the "ALARM OFF" or "DAILY" (for example) is shown on the display.

When the alarm sounds

When the buzzer alarm activates, the alarm will start softly and gradually increase in level. It will sound for 1 minute and silence for 1 minute in repetition for 60 minutes unless cancelled. The radio will sound non-stop at the selected time for up to 60 minutes.

When the radio alarm is activated, the alarm will go off in Humane Waking System. It will increase its volume from 0 to your set volume.

To deactivate a sounding alarm, press the Power button to cancel a sounding alarm.

Disabling/cancelling alarm setting

To cancel the alarm setting before the alarm sounds, press and hold the corresponding alarm button (i.e. Alarm 1 or Alarm 2 button) until "ALARM OFF" appears on the display. The alarm indicator will disappear from the screen and the chosen alarm will now be disabled.

Snooze

1. When the alarm sounds, press any button other than the Power button will silence the alarm for 5 minutes. "SNOOZE" will appear on the display.
2. To adjust the silence time for the snooze timer, press the Info/Menu button until a beep sounds to enter the menu setting.
3. Rotate the Tuning control knob until "SNOOZE X" is shown on the display, then press the Tuning control knob to enter the setting. Rotate the Tuning control knob to adjust the silence time. There are 5, 10, 15 and 20 minutes for the snooze timer. Press the Tuning control knob to confirm the setting.
4. To cancel the snooze timer while the alarm is suspended, press the Power button.

Nap timer


1. Press the Nap timer button to enter the adjustment setting. Repeatedly press and release the Nap timer button and the options will increase in 5 minute increments from 5 to 120 minutes. Alternatively, rotate the Tuning control knob to adjust the timer in 1 minute increment. Stop adjusting when the required Nap Timer option appears on the display. The remaining time of an active timer setting will show on the display.
2. To cancel a sounding Nap timer, press the Power button. If any button other than the Power button is pressed when the alarm sounds, snooze function will be activated. To cancel the nap timer function when countdown is progressing, go to nap timer setting and select "OFF".

Nap timer volume control

1. Press the Info/Menu button until a beep sounds to enter the menu setting.
2. Rotate the Tuning control knob until "NAP VOL X" shows on the display.
Press the Tuning control knob to enter the setting.
3. Rotate the Tuning control knob to adjust the volume of the nap timer.
The sound will change as you adjust the level. Then press the Tuning control knob to confirm the setting.

Sleep timer - radio auto shut off

Your radio can be set to turn off automatically after a preset time has elapsed. The Sleep Timer setting can be adjusted between 15,30, 45, 60, 90 and 120 minutes.

1. Press and hold the Power button to enter the Sleep Timer setting. "SLEEP XX" will show on the display.
2. Keep holding the Power button and the Sleep Timer options will start cycling through the various options on the display. Stop until the desired sleep timer option appears on the display. The setting will be saved and the LCD will return to normal display.
3. Your radio will switch off automatically after the preset Sleep Timer has elapsed. The Sleep Timer icon  will show on the display indicating an active Sleep Timer.
4. To cancel the Sleep Timer function before the preset time has elapsed, simply press and release the Power button to turn the unit off manually.

Tone controls

The sound of your radio can be adjusted to suit your personal taste for the material that you are listening to. You can set the treble and bass levels to your own preferences.

1. First ensure your radio is switched on. Press and release the Volume control button to enter the tone control setting.
2. The treble value will appear on the display. Rotate the Volume control knob to adjust between +5~-5, and press and release the Volume control button to confirm the setting.
3. Then the bass value will appear on the display. Rotate the Volume control knob to adjust between +5~-5, and press and release the Volume control button to confirm the setting.

Loudness

You can get compensation on lower and higher frequency for your radio by adjusting the Loudness function.

1. Press the Info/Menu button until a beep sounds to enter the menu setting.
2. Rotate the Tuning control knob until "LOUD ON" (or "LOUD OFF") shows on the display. Press the Tuning control knob to enter the setting.
3. Rotate the Tuning control knob to choose "ON" to turn on the loudness function, then press the Tuning control knob to confirm the setting.
4. To turn off the loudness function, select "OFF" and press the Tuning control knob to confirm the setting.

Auxiliary input socket

A 3.5mm Auxiliary Input socket is provided on the right side of your radio to permit an audio signal to be fed into the unit from an external audio device such as iPod, MP3 or CD player.

1. Press the Power button to switch on the radio.
2. Repeatedly press and release the Source button until "AUX" is shown on the display.
3. Connect an external audio source (for example, iPod, MP3 or CD player) to the Auxiliary Input socket.
4. Adjust the volume setting on your iPod, MP3 or CD player to ensure an adequate signal level from the player, and then rotate the Volume control on the radio as needed for comfortable listening.

Note:

Never use the Aux-In socket in rainy or moist conditions to prevent moisture from entering the radio. Always keep the rubber cover on the back well closed under these conditions.

Factory reset

If you wish to completely reset your radio to its initial state this may be performed by following this procedure. By performing a factory reset, all user entered settings will be erased.

1. Press the Info/Menu button until a beep sounds to enter the menu setting.
2. Rotate the Tuning control knob until "FACTORY" shows on the display. Press the Tuning control knob to enter the setting.
3. Rotate the Tuning control knob to select "RESET YES" or "RESET NO". If you do not wish to carry out a system reset, select "RESET NO" and then press the Tuning control knob to confirm the setting.
4. With "Yes" selected, press the Tuning control knob to confirm the setting. A full reset will be performed. The station presets will be erased. Alarms will be cancelled and sleep timer settings will be set to their default values.

In case of malfunction due to electrostatic discharge, reset the product using the above procedure. In some circumstances it may be necessary to disconnect and then reconnect the main power supply in order to resume normal operation.

Software version

The software display cannot be altered and is just for your reference.

1. Press the Info/Menu button until a beep sounds to enter the menu setting.
2. Rotate the Tuning control knob until "VER XXX" (e.g.VER 015) appears. The software version shows on the display.
3. Press and release the Info/Menu button to exit the software version display.

USB socket for iPhone or Smartphone charging

Your radio has a USB socket which is intended only for charging an iPhone or smart phone and similar devices. Charge time may vary and in some cases may take longer to charge than when using the manufacturers charging unit supplied with the smart phone.

1. Ensure your radio is switched off.
2. Connect your smart phone to the USB charging socket at the left side of your radio.
3. Your iPhone or smart phone will begin to charge.
4. Once your iPhone or smart phone has charged remove the USB lead.

Note:

Do not use the USB charging if you want to charge the batteries, as the radio will fully charge the iPhone/Smartphone before you can charge the batteries.

Important:

- The charger may not supply power to some USB devices.
- When not using or after charging, remove the USB cable and close the cover.
- Do not connect a power source to the USB port. Otherwise there is a risk of fire. The USB port is only intended for charging lower voltage device. Always place the cover onto the USB port when not charging the lower voltage device.
- Do not insert a nail, wire, etc. into USB power supply port. Otherwise a circuit short may cause smoke and fire.
- Do not connect this USB socket with your PC USB port, as it is highly possible that it may cause breakdown of the units.
- Never use the USB socket in rainy or moist conditions to prevent moisture from entering the radio. Always keep the rubber cover on the back well closed under these conditions.

Specifications

GB

Frequency Coverage:

FM 87.50 - 108MHz

AM 520 - 1710kHz (10kHz / step)

522 - 1710kHz (9kHz / step)

WX 162.4-162.55MHz

AC Power: AC 120V / 60Hz / 24W

Batteries: 6 x UM-1 (D size)

Approx. Battery life:

Speaker=100mW

The battery life is approx. 50 hours when using alkaline battery(12000mAh) / 4 hours a day.

Back-up Battery: 2 x1.5V Size "AA"/UM-3/LR6

DC IN: 12V / 1.2A center pin positive

Max. power consumption: AC: 120 V~, 60 Hz/ 24W

Bluetooth

Bluetooth specification	Bluetooth® Ver 4.0
Profile Support	A2DP, AVRCP1.4
Bluetooth Audio CODEC	SBC, APTX
Transmitting Power	Specification Power Class 1
Line of sight range	10 meters / 30 feet

Output Power:

4W 10% T.H.D. @ 100 Hz @ DC battery 9V

7W 10% T.H.D. @ 100 Hz @ AC 120V

Aux in socket:

3.5 mm diameter, stereo jack to be mixed as monaural

Input sensitivity: 350m Vrms at output 7W @ 1000Hz

Input impedance: 47kohm

Maximum supplying power of USB socket: 5V 1A

Speaker unit: 6.5 inches 8 ohm 15W, full range

Internal Antenna system:

FM/WX built-in bended spring antenna

LED illuminator: 2 x white LED, current consumption 30mA

Sagean reserves the right to amend the specifications without notice.



If at any time in the future you should need to dispose of this product please note that: Waste electrical products should not be disposed of with household waste. Please recycle where facilities exist. Check with your Local Authority or retailer for recycling advice. (Waste Electrical and Electronic Equipment Directive)