

SUBMITTAL SHEET



AIRCONDITIONING PRODUCTS

SYSTEM INDOOR/OUTDOOR

24XS32A XS2432/C2432A

CEILING RECESSED (4-WAY) AIR CONDITIONER

SS24XS32-2

GENERAL DATA (AT 230V)

POWER V/PH/HZ	230/208/1/60
Circuit Ampacity, Min. (A)	30
Fuse size, Max. (A)	30

COMPRESSOR	Rotary-Hermetic
No. used	1
R.L. Amps - L.R. Amps (A)	10.1-66.0
Crankcase Heater	-

OUTDOOR FAN - TYPE	Propeller
Dia. (in.) - No. used	18-3/32 - 1
Type Drive - No. speeds	Direct - 3 (AUTO)
No. Poles - RPM (High)	6 - 879
No. Motors - HP	1 - 1/7
CFM (High)	1,900
F.L. Amps. (A)	1.2

OUTDOOR COIL - TYPE	Aluminum Fin & Copper Pipe
Fin Type - Pipe Type	Slit Plate - Inner Riffled
Rows - F.P.I.	2 - 14.1
Face Area (sq.ft.)	6.63
Tube Size (in.)	3/8

INDOOR FAN - TYPE	Turbo
Dia. & Length (in.) - No. used	19-9/32 - 1
No. speeds	3 & Auto
No. Poles -RPM (High)	6-451
No. Motors - HP	1 - 1/25
CFM (HI/MED/LOW)	540/460/360
F.L. Amps (A)	0.6

INDOOR COIL - TYPE	Aluminum Fin & Copper Pipe
Fin Type - Pipe type	CorrugatedPlate - Inner Riffled
Rows - F.P.I.	2 - 14.9
Face Area (sq. ft.)	3.18
Tube Size (in.)	3/8
Drain Connection Size (in.)	1-1/4

REFRIGERANT	R22
Lbs. - R22 (O.D. Unit)	5.5
Control	Capillary Tube
Connection	Flare
Line Length, Max (ft.)	132
Lift difference, Max (ft.)	82
Line Size - in. O.D. Discharge	1/4
Line Size - in. O.D. Suction	3/4

DIMENSIONS (in.)	H	x	W	x	D
Indoor Unit -Uncrated	12-29/32	x	33-27/32	x	33-27/32
-Crated	11-6/32	x	32-14/32	x	32-25/32 (Indoor unit)
	4-3/32	x	38-2/32	x	39-11/32 (Indoor Grille)
Outdoor Unit -Uncrate	28-15/16	x	37	x	13-3/8
-Crated	32-17/32	x	40	x	16-12/32

WEIGHT	INDOOR	OUTDOOR
Net (lbs.)	60.0	152.0
Shipping (lbs.)	57.0/18.0(Grille)	168.0

Shipping Volume (cu.ft.)	6.9/ 3.5 (Grille)	12.3
--------------------------	-------------------	------

PERFORMANCE DATA @ ARI STANDARD CONDITIONS (230/208V)

COOLING		
Total Capacity (BTU/H)		24,000/23,400
Sensible Capacity (BTU/H)		13,740/13,300
Latent Capacity (BTU/H)		10,360/10,100
SEER		10.0/10.2
Dehumidification (Pints/H)		7.1/6.9
Amps (A)		11.6/12.2
Power Inputs (W)		2,440/2,380
Outdoor Sound Rating(bels)		7.6

FEATURE

Controls	Microprocessor
Remote Controller	LCD Wireless type
Temperature Control	IC Thermostat
Timer	ON/OFF, 24 hours
Night Setback	Built-In
Air Louver	(Horizontal) - (Vertical) Automatic
Power Failure Automatic Restart	Built-In
Self Diagnosis	N/A

OPTION

Refrigerant Line Set	AP2710BH (30 ft)	AP2715BH (50 ft)
Low Ambient Control	Available	
Fresh Air Intake	CMB-GSJ80T	
Central Remote ON-OFF Control	Available	
Air duct Extension	Available	
Indoor Frame Extension	N/A	
Condensate Drain Pump	Available	
Non-Removable Remo-con Bracket	RCS5PS4B	
Wired Remote Controller	RCS-102WD/RCS-302WD	

OPERATING RANGE

Cooling	Indoor Air Intake Temp.	Outdoor Air Intake Temp.
	Maximum 95F DB/71F WB	115F DB
Minimum	67F DB/57F WB	67F DB

CERTIFICATION



24XS3 2 A

SUBMITTAL SHEET



SYSTEM INDOOR/OUTDOOR

24XLS32A XS2432/CL2432A

AIRCONDITIONING PRODUCTS

CEILING RECESSED (4 WAY) LOW AMBIENT AIR CONDITIONER

SS24XLS32-2

GENERAL DATA (AT 230V)

POWER V/PH/HZ	230/208/1/60
Circuit Ampacity, Min. (A)	30
Fuse size, Max. (A)	30

COMPRESSOR	Rotary-Hermetic
No. used	1
R.L. Amps - L.R. Amps (A)	10.1-66.0
Crankcase Heater	30W

OUTDOOR FAN - TYPE	Propeller
Dia. (in.) - No. used	18-3/32 - 1
Type Drive - No. speeds	Direct - 3 (AUTO)
No. Poles - RPM (High)	6 - 879
No. Motors - HP	1 - 1/7
CFM (High)	1,900
F.L. Amps. (A)	1.2

OUTDOOR COIL - TYPE	Aluminum Fin & Copper Pipe
Fin Type - Pipe Type	Slit Plate - Inner Riffled
Rows - F.P.I.	2 - 14.1
Face Area (sq.ft.)	6.63
Tube Size (in.)	3/8

INDOOR FAN - TYPE	Turbo
Dia. & Length (in.) - No. used	19-9/32 -1
No. speeds	3 & Auto
No. Poles -RPM (High)	6-451
No. Motors - HP	1 - 1/20
CFM (HI/MED/LOW)	540/460/360
F.L. Amps (A)	0.6

INDOOR COIL - TYPE	Aluminum Fin & Copper Pipe
Fin Type - Pipe type	CorrugatedPlate - Inner Riffled
Rows - F.P.I.	2 - 14.9
Face Area (sq. ft.)	3.18
Tube Size (in.)	3/8
Drain Connection Size (in.)	1-1/4

REFRIGERANT	R22
Lbs. - R22 (O.D. Unit)	5.5
Control Connection	Capillary Tube
Line Length, Max (ft.)	132
Lift difference, Max (ft.)	83
Line Size - in. O.D. Discharge	1/4
Line Size - in. O.D. Suction	3/4

DIMENSIONS (in.)	H	x	W	x	D
Indoor Unit -Uncrated	12-29/32	x	33-27/32	x	33-27/32
-Crated	11-6/32	x	32-14/32	x	32-25/32 (Indoor unit)
	4-3/32	x	38-2/32	x	39-11/32 (Indoor Grille)
Outdoor Unit -Uncrated	28-15/16	x	37	x	13-3/8
-Crated	32-17/32	x	40	x	16-12/32

WEIGHT	INDOOR	OUTDOOR
Net (lbs.)	60.0	152.0
Shipping(lbs.)	57.0/18.0(Grille)	168.0

Shipping Volume (cu.ft.)	6.9/ 3.5 (Grille)	12.3
--------------------------	-------------------	------

PERFORMANCE DATA @ ARI STANDARD CONDITIONS (230/208V)

COOLING		
Total Capacity	(BTU/H)	24,000/23,400
Sensible Capacity	(BTU/H)	13,740/13,300
Latent Capacity	(BTU/H)	10,360/10,100
SEER		10.0/10.2
Dehumidification	(Pints/H)	7.1/6.9
Amps	(A)	11.6/12.2
Power Inputs	(W)	2,440/2,380
Outdoor Sound Rating	(bels)	7.6

FEATURE

Controls	Microprocessor
Remote Controller	LCD Wireless type
Temperature Control	IC Thermostat
Timer	ON/OFF, 24 hours
Night Setback	Built-In
Air Louver (Horizontal)	-
(Vertical)	Automatic
Power Failure Automatic Restart	Built-In
Self Diagnosis	N/A

OPTION

Refrigerant Line Set	AP2710BH (30 ft)	AP2715BH (50 ft)
Low Ambient Control	Built-In	
Fresh Air Intake	CMB-GSJ80T	
Central Remote ON-OFF Control	Available	
Air duct Extension	Available	
Indoor Frame Extension	N/A	
Condensate Drain Pump	Available	
Non-Removable Remo-con Bracket	RCS5PS4B	
Wired Remote Controller	RCS-102WD/RCS-302WD	

OPERATING RANGE

Cooling	Indoor Air Intake Temp.	Outdoor Air Intake Temp.
	Maximum	95 F DB/71 F WB 115 F DB
	Minimum	67 F DB/57 F WB 0 F DB

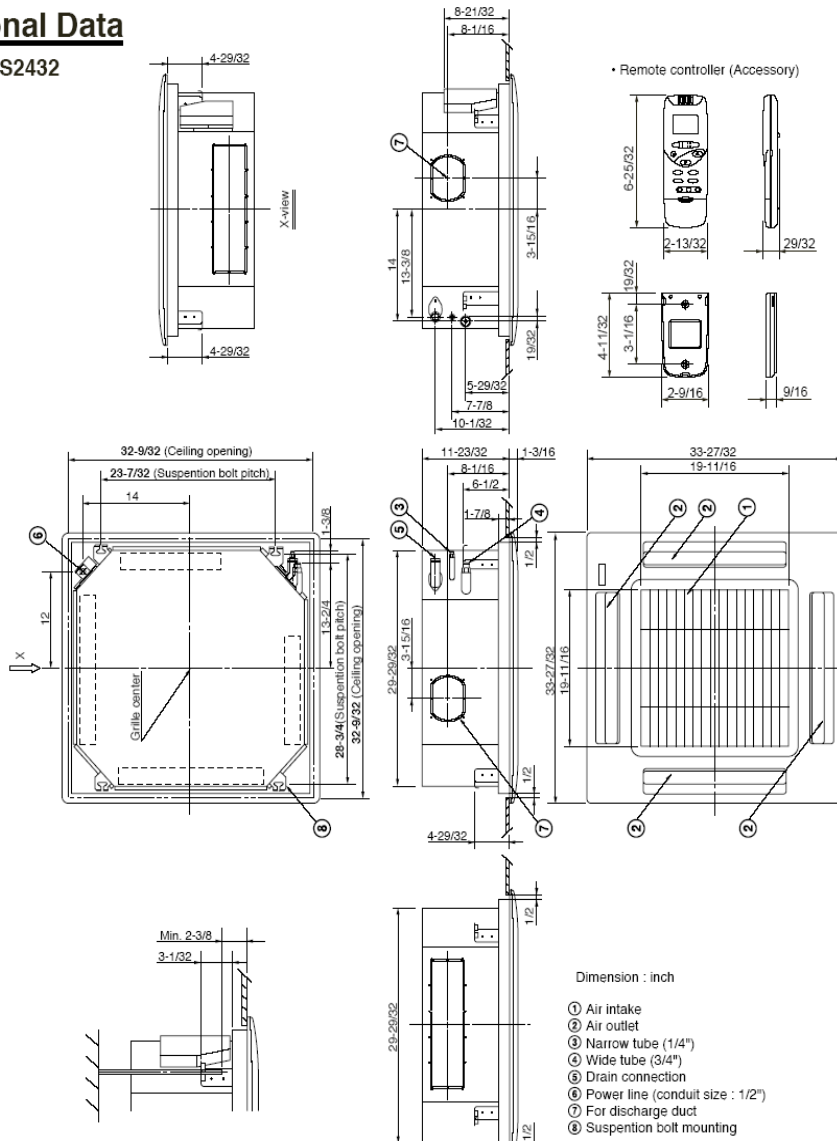
CERTIFICATION



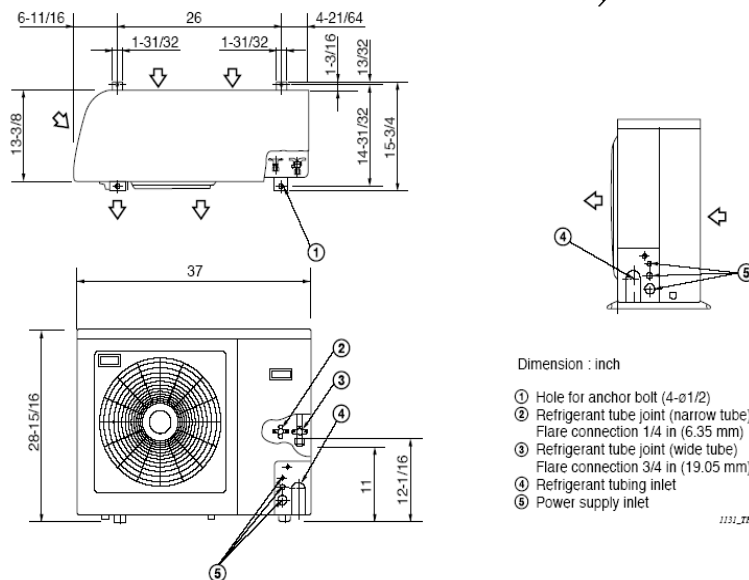
24XLS32A

Dimensional Data

Indoor Unit: XS2432



Outdoor Unit: C2432A , CL2432A



WARRANTY

SANYO products are warranted against defects in materials and workmanship for the period below;

	LABOR	PARTS
Compressor	30 Days	5 Years
Other Components	N/A	1 Year

Because of a policy of continuous product improvements, SANYO reserves the right to change specifications and design without notice.

Full specific warranty rights, conditions, exclusions and obligations are specified in the warranty packed with each products.

SANYO FISHER COMPANY
 A Division of SANYO North America Corporation
 21605 Plummer St. Chatsworth, CA 91311
 Phone : (818) 998-7322
 Fax : (818) 701-4160
 Website: <http://www.sanyohvac.com>