

# Split System Submittal Data



Building Life.

System: 26XW72R

Indoor/Outdoor: XHW2672R/C2672R

Grille: PNR-XH2442

## Ceiling Recessed Air Conditioner

Job Name: \_\_\_\_\_  
 Location: \_\_\_\_\_  
 Engineer: \_\_\_\_\_  
 Submitted to: \_\_\_\_\_  
 Submitted by: \_\_\_\_\_  
 Reference: \_\_\_\_\_

Approval: \_\_\_\_\_  
 Date: \_\_\_\_\_  
 Construction: \_\_\_\_\_  
 Unit #: \_\_\_\_\_  
 Drawing #: \_\_\_\_\_



### General Data (at 230V)

Power	V/PH/Hz	230/208/1/60
Circuit Ampacity	(A)	15-30 Indoor-Outdoor
Fuse Size, Max.	(A)	15-30 Indoor-Outdoor

Compressor		DC Rotary Inverter
No. used		1
R.L. Amps - L.R.	(A)	12.9-17.5

### Outdoor Unit

Fan type		Propeller
Dia. (in.) - No. Speeds		18-7/64-1
Type Drive - No. Speeds		DC Motor
No. Poles	(RPM)	8 - 800
No. Motors	(W)	1 - 90
CFM	(High)	1765
F.L. Amps	(A)	13.8

Coil Type		Aluminum Fin & Copper Pipe
Fin Type - Pipe Type		Slit Plate - Inner Rifled
Rows - F.P.I.		1 - 15.9
Face Area	(sq.ft.)	7.26
Tube Size	(in.)	3/8"

### Indoor Unit

Fan type		Turbo
Dia. & Length (in.) - No. Speeds		17-7/16-1
No. Speeds		3 & Auto
No. Poles	(RPM, High)	6-464
No. Motors	(W)	1 - 40
CFM	(Hi/Med/Lo)	710/530/450
Indoor Sound Rating	(Hi) (dB-A)	38
F.L. Amps	(A)	0.7

Coil Type		Aluminum Plate Fin & Copper Tube
Fin Type - Pipe Type		Slit Plate - Inner Rifled
Rows - F.P.I.		2-14.9
Face Area	(sq.ft.)	3.69
Tube Size	(in.)	9/32"
Drain Connection Size	(in.)	1-17/64

### Refrigerant

Lbs. - R410a (outdoor unit)		R410A	4.19
Control		Electric Expansion Valve	
Connection		Flare	
Line Length, Max (ft.)			165
Lift Difference, Max (ft.)		50 (outdoor lower), 100 (outdoor higher)	
Line Size	(in. O.D. Discharge)		3/8"
Line Size	(in. O.D. Suction)		5/8"

### Dimensions

	(in.)	H x W x D
Indoor Unit	(Uncrated)	13-5/16 x 33-55/64 x 33-55/64
	(Crated)	11-9/64 x 32-7/8 x 33-9/32
Outdoor Unit	(Uncrated)	30-23/32 x 37 x 3-3/8
	(Crated)	34-31/32 x 39-31/32 x 16-3/32

### Weight

	Indoor	Outdoor
Net	(lbs.) 49	128
Shipping	(lbs.) 57	148

	Indoor	Outdoor
Shipping Volume	(cu.ft.) 7.1	13.0

### Performance Data @ ARI Standard Conditions (230/208V)

#### Cooling

Total Capacity	(BTU/H)	24,800 (9,500-24,800)
Sensible Capacity	(BTU/H)	14,810
Latent Capacity	(BTU/H)	9,990
SEER		14.1
Dehumidification	(Pints/H)	8.1
Amps	(A)	15.6/17.3
Power Inputs	(W)	2,920/2,920
Outdoor Sound Rating	(dB-A)	49

# Dimensions

## Features

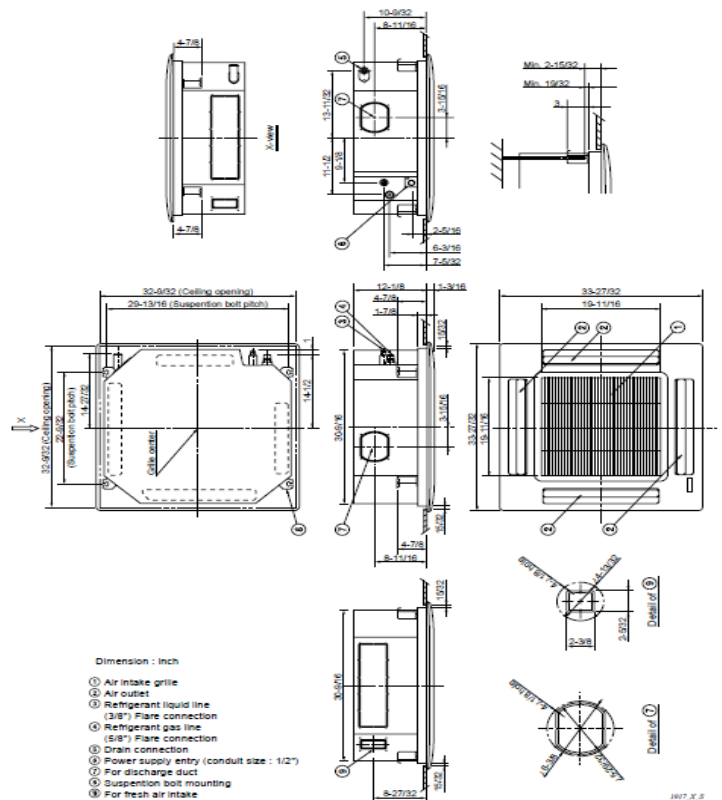
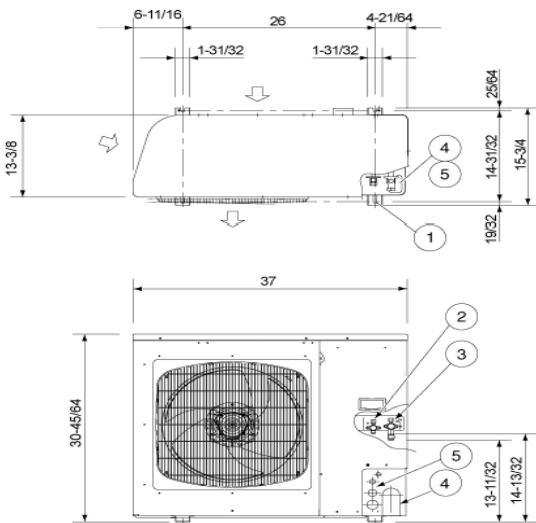
Controls	Microprocessor
Remote Controller	LCD Wired Type, Temp. Sensor Built In
Temperature Control	IC Thermostat
Timer	72 Hr ON/OFF
Night Setback	Built-In
Air Louver	Manual
	Automatic
Power Failure Automatic Restart	Built-In
Self-Diagnosis	Built-In
Air Filter	Washable, Anti-Mold

## Options

Refrigerant Line Set	Available
Fresh Air Intake	Available
Airduct Extension	Knock-out
Indoor Frame Extension	Available
Condensate Drain Pump	Standard
Wireless Remote Controller	Available
Non-Removeable Locking Remo-con Bracket	Available

## Operating Range

Cooling	Maximum	Indoor Air Intake Temp. 95F DB/71F WB	Outdoor Air Intake Temp. 109F DB
	Minimum	67F DB/57F WB	0F DB



Dimension : inch

- ① Air intake grille
- ② Air outlet
- ③ Refrigerant liquid line (3/8") Flare connection
- ④ Refrigerant gas line (5/8") Flare connection
- ⑤ Drain connection
- ⑥ Power supply entry (conduit size : 1/2")
- ⑦ For discharge duct
- ⑧ Suspension bolt mounting
- ⑨ For fresh air intake

Dimension : inch

①	Hole for anchor bolt (4-R6.5) / Anchor bolt : M10
②	Refrigerant tube joint (liquid line tube) • Flare connection 3/8 in (9.52 mm)
③	Refrigerant tube joint (gas line tube) • Flare connection 5/8 in (15.88 mm)
④	Refrigerant tubing inlet (knock-out hole)
⑤	Power supply inlet (knock-out hole $\phi 38, \phi 29, \phi 19, \phi 16$ mm)



Sanyo Commercial Solutions  
A Division of SANYO North America  
1300 Michael Drive  
Wood Dale, IL 60191 USA  
www.sanyohvac.com

