

U-Stor User Manual

For Windows 2000/XP



www.sarotech.com

FCC Certification	3
1. Introduction	3
1.1 User Manual	3
1.2 Package Contents	3
1.3 Information and warnings	4
1.4 How to mount HDD	4
1.5 How to stand	7
1.6 Main function and Features	7
1.7 System Requirements	7
1.8 NDAS Device Setup Overview	8
2. Cable Installation	8
2.1 NDAS Mode	8
2.2 USB Mode	9
3. NDAS Software Installation	9
3.1 For Windows XP and Windows 2000	9
4. How to use as an USB Storage Device	12
4.1 For Windows 98	12
4.2 For Windows ME/2000/XP/XP/2003	12
4.3 For Mac OS	14
5. NDAS Device Registration	14
5.1 Add / Register a New NDAS Device Using The Registration Wizard	14
5.2 Found New Hardware Wizard	16
5.3 Using NDAS Device	17
5.4 Sharing NDAS Device	18
6. Introduction To NDAS Device Manager	19
6.1 NDAS Device Status Mode	19
6.2 NDAS Device Management	20

7. NDAS Device Functions	20
7.1 NDAS Device Management	20
7.2 Changing from Read/Write to Read-Only Mode	23
7.3 Changing from Read-Only to Read/Write Mode	23
8. NDAS Bind Management	24
8.1 Bind	25
8.1.1 Requirements For Bind	25
8.1.2 Connected Mode	25
8.1.3 Instructions For Bind	26
8.2 Unbind	28
8.2.1 Unbind All	29
8.2.2 Unbind A Single NDAS Device	30
8.3 Tools	31
8.3.1 Copy And Mirror	31
8.3.2 Using Copy And Mirror	31
8.3.3 Recover Mirro	32
8.3.4 Using Recover Mirror	32
9. Other NDAS Bind Management Functions	33
9.1 Using Mirrored NDAS Device	33
9.1.1 Upgrading the driver without braking the Mirrored NDAS device	33
9.1.2 Using bound NDAS Device among different driver versions	34
10. Formatting NDS-354 Device	34
10.1 Initialize NDS-354 Device	34
10.2 Partition NDS-354 Device	35
10.3 Format NDS-354 Device Through My Computer	37
11. Uninstall	37
12. IntelliStor	38
13. FAQ	42
14. Additional Information And Assistance	49
15. Specification	50

■ ■ ■ FCC Certification ■ ■ ■

INFORMATION TO THE USER

This equipment has been tested and found to comply with the limits for a Class B digital device, pursuant to part 15 of the FCC Rules. These limits are designed to provide reasonable protection against harmful interference in a residential installation. This equipment generates, uses and can radiate radio frequency energy and, if not installed and used in accordance with the instructions, may cause harmful interference to radio communications. However, there is no guarantee that interference will not occur in a particular installation. If this equipment does cause harmful interference to radio or television reception, which can be determined by turning the equipment off and on, the user is encouraged to try to correct the interference by one more of the following measures:

- Reorient or relocate the receiving antenna.
- Increase the separation between the equipment and receiver.
- Connect the equipment into an outlet on a circuit different from that to which the receiver is connected.
- Consult the dealer or an experienced radio / TV technician for help.

WARNING

Changes or modifications not expressly approved by the manufacturer could void the user's authority to operate the equipment.

■ ■ ■ 1. Introduction ■ ■ ■

Congratulations on your purchase of NDS-354

- Network storage via Ethernet made possible through NDAS technology!

1.1 User Manual

This User Manual is intended to help you install NDS-354 quickly and easily onto your Personal Computer or Ethernet Network and begin using it immediately.

1.2 Package Contents

The following items are included in the NDS-354 packages:



U-Stor



Manual



Installation CD



LAN cable



USB cable



Power cable



Stand



Bag

1.3 Information and Warnings(to use safely)

Please read this manual carefully before using the NDS-354.
Follow the instructions described in this manual carefully.

NDS-354 is designed for Data back up.

It should not be used for other purpose otherwise it may cause an accident.

◆ Meanings of mark

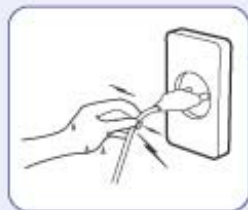


Warning : Danger of serious damage or death. This warning mark indicates that if the product is not correctly used, the person using or handing the product could suffer fatal or serious injury.



Do not open or remold the power without permission
You have to bring it to the nearest service center or distributor on your area if you need to repair.

※ Electric shock or Fire may be occurred.



Do not connect or remove the power cord with wet hands.

※ Electric shock or Fire may be occurred.



Do not use a damaged(or unsuitable) power cord or plug.

※ Electric shock or Fire may be occurred.

1.4 How to mount HDD

1. Prepare HDD(3.5 " , IDE Type) and NDS-354 enclosure.

Jumper setting of HDD should be Master or Single.

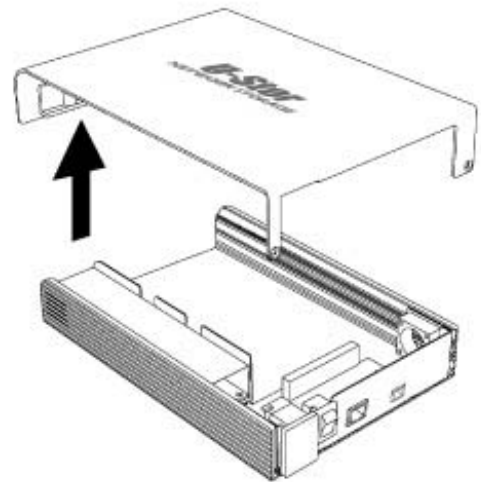
Especially for Western Digital HDD, set the jumper to "Single"

(The instruction of jumper setting is marked on the surface of HDD)

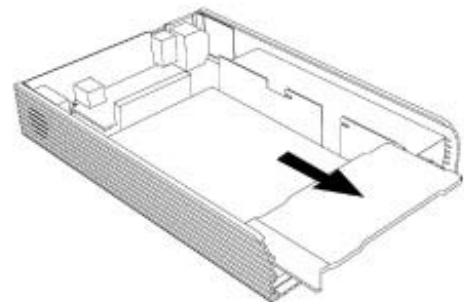
2. Separate each 2 bolts from upper case and main frame as shown below.



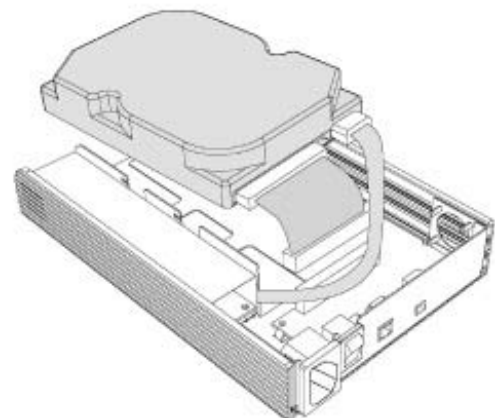
3. Separate upper case from main frame.



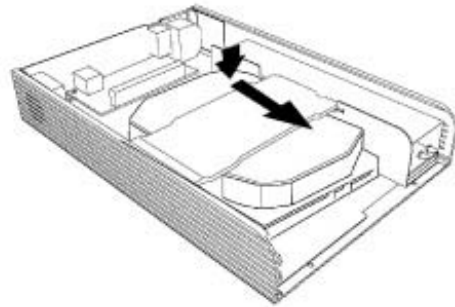
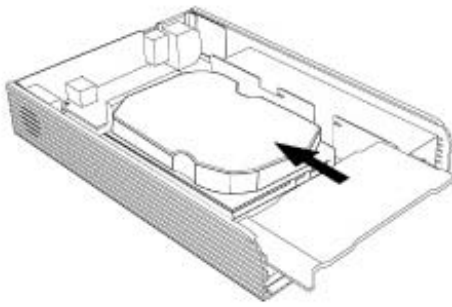
4. Separate Fixture from main frame as shown below.



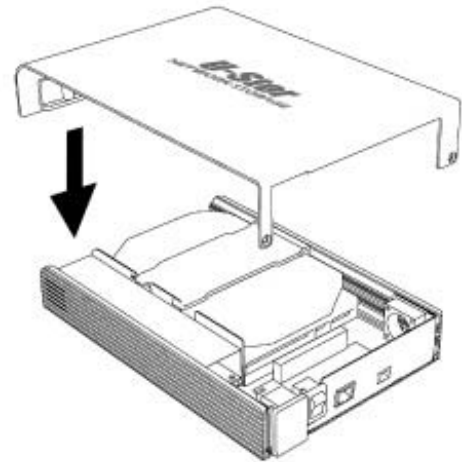
5. Connect power cable and IDE cable to HDD.



6. Fix the HDD into main frame and insert the fixture as shown below.



7. Put the upper case to main frame.



8. Put the screw on the bottom of main frame as shown below.



9. Assemble the upper case to main frame using provide screws.

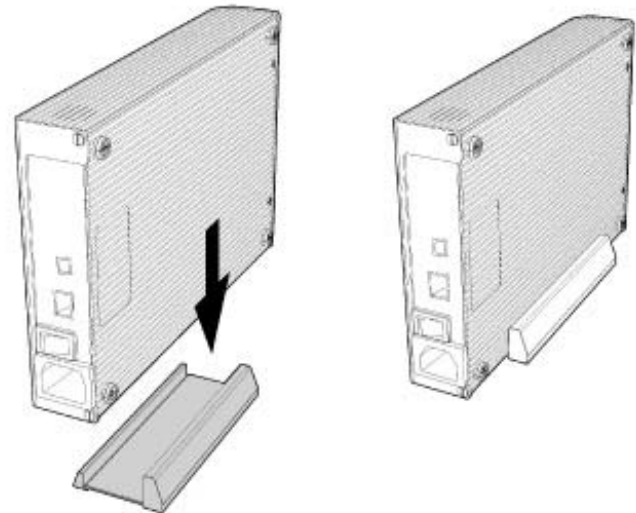


You have to disconnect AC power when you change the HDD. Otherwise electric shock, Fire may be occurred.

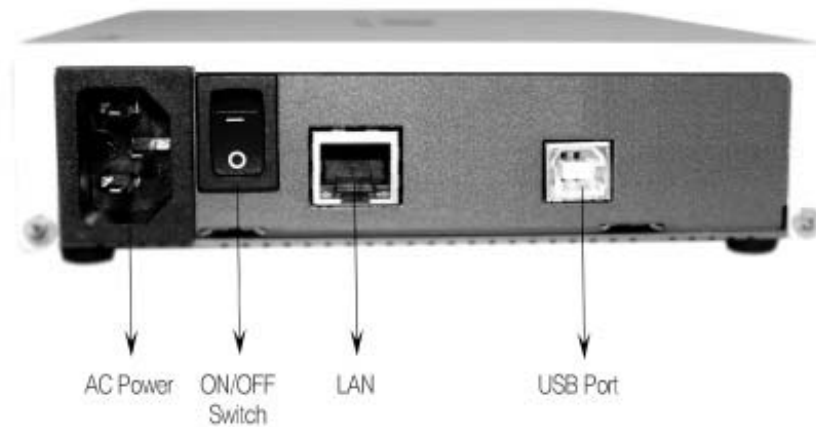
1.5 How to use Stand



Be careful when you put the NDS-354 into stand. Otherwise it may cause damage to enclosure.



1.6 Main function and Features



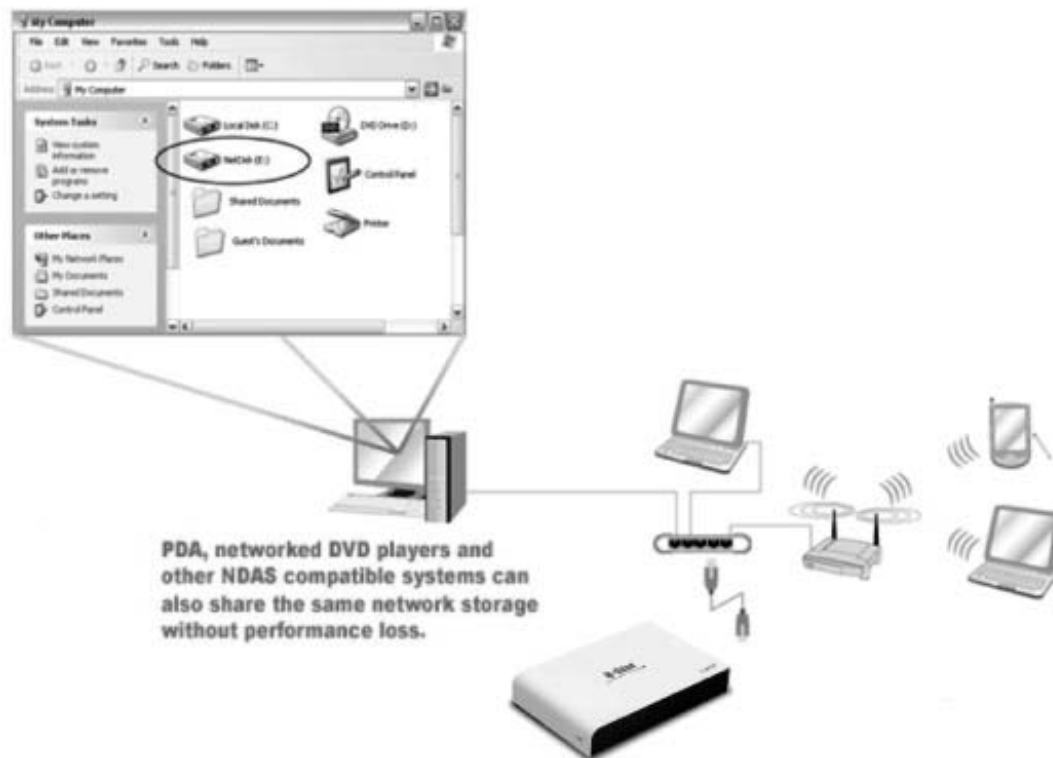
- 1) AC Power jack: Connect AC power cord.
- 2) Power ON/OFF switch : Turn ON/OFF the power switch.
- 3) LAN : Connect NDS-354 to Ethernet Device(PC, switch hub) using LAN cable.
- 4) USB port : Connect NDS-354 to your PC using USB cable.

1.7 System Requirements

Windows 2000/XP

- 233 MHz Pentium® II or higher
- 64 MB RAM (128 MB recommended)
- USB 1.1 Port (USB 2.0 recommended)
- CD-ROM drive for installation
- 100Base - T full duplex switch for NDAS mode

1.8 NDAS Device Setup Overview



2. Cable Installation

Do not connect USB cable and Ethernet cable at the same time.

2.1 NDAS Mode

1. Connect the included Ethernet cable from the Ethernet port on NDS-354 to a switch (100 Base-T).

Wireless users : Connect NDS-354 to your wireless router or access point with included Ethernet cable.

2. Make sure the power connector is firmly attached to the NDS-354 and connect the power source.
3. If your NDS-354 has an On/Off switch, set the On/Off Switch to "ON" position.

2.2 USB Mode

NOTE : NDAS Device software does not need to be installed to use in USB mode.

1. Connect the included USB cable from USB port on NDS-354 to your PC's USB port.
2. Make sure the power connector is connected firmly to the NDS-354 and connect the power source.
3. If your NDS-354 has an On/Off switch, turn the On/Off Switch to "ON" position.

3. NDAS Software Installation

3.1 For Windows XP and Windows 2000

Installation of NDAS software is simple and easy. After downloading software, please unzip the driver and click on "setup.exe" to begin installation.

If you are using the Installation CD, insert the CD into your CD-ROM drive and select NDS-354\Windows\setup.exe.

1. InstallShield Wizard will appear.
Click the Next button to continue to next step.



2. Accept License Agreement and the click Next to continue installation.



3. Click the Install button to install drivers.



4. Please wait while installation continues.



5. Click Yes or Continue Anyway if one of these windows come up.



6. Click the Finish button to complete.



7. Click on the Yes button to restart your computer now, or No to restart later



4. How to use as an USB Storage device

Install USB Driver



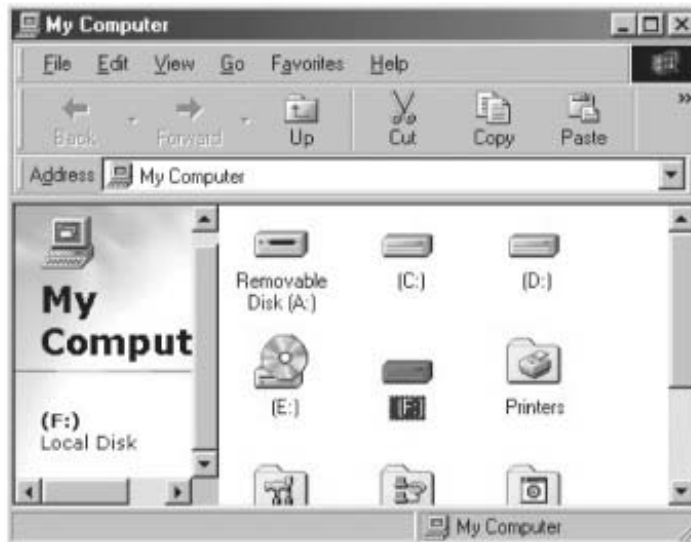
- 1) Using below 30GB hard disk can make some troubles like loss of data, we recommend you to use 30GB hard disk or greater.
- 2) see the manual for Install driver CD how to FDISK or FORMAT.
- 3) NTFS format is not supported at Windows 98. If you want to use the goods on Windows 98 and 2000/XP/2003 system, format FAT32.

4.1 For Windows 98

- 1) Insert Install Driver CD on the CD-ROM driver without connecting the product.
- 2) Run "Setup.exe" at USB Driver/Windows folder of the CD
- 3) When "Install Shield Wizard" runs, click "Next" button.
- 4) Click "I accept the terms of the license agreement (A)" then click Next(N).

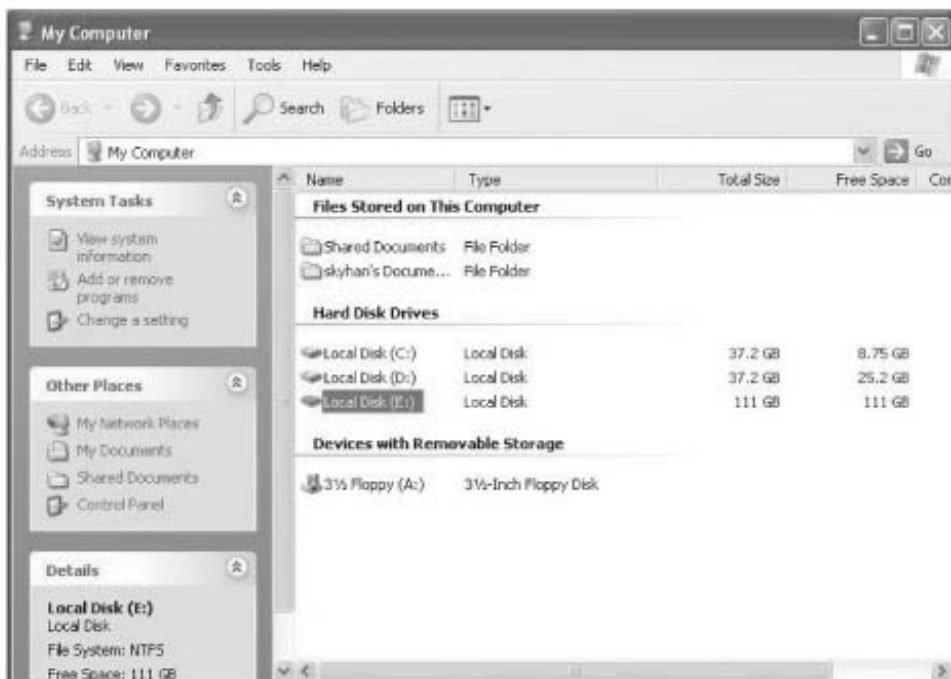


- 5) When "Install Shield Wizard Complete" is come, click "Finish" button then Install is finished.
- 6) Connect the product to USB port on the computer
- 7) Drive icon is created at my computer.



4.2 For Windows ME/2000/XP/2003

- 1) Connect the product to USB port on the computer.
- 2) Finding out the new hard ware "USB Mass Storage DEVICE", the driver will be installed automatically.
- 3) Drive icon is created at my computer.



- 4) When drive is installed at Windows ME system, <usbntmap.sys etc> files may be required.

You can find base2.cab at Win9X folder of Windows ME Install CD.

4.3 For Mac OS

Product is detected without install driver at Mac OS 9.x higher.

■ How to stop the product

1) Windows 98/ME/2000/XP/2003

① Click the "tray icon" under the "start" and then you can find the below drawing.




② Choose it and read the message. Separate the product from USB port.



◆◆ 5. NDAS Device Registration ◆◆

NOTE : You can register using the Registration Wizard (section 5.1) or without it (section 5.2).

5.1 Add/Register a New NDAS device using the Registration Wizard

1. Click on the NDAS Device Management  icon located on the system tray.
2. Select Register A New Device.
3. NDAS Device Registration Wizard will appear.
Click Next to continue.



4. Enter a name for the NDAS device.
Click Next.

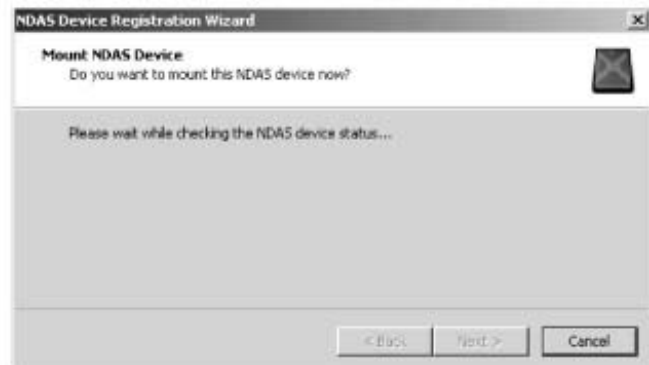


5. Add your NDAS device ID and Write Key. Write Key is needed to write to NDAS device.
Click Next to continue.

NOTE : NDAS device ID and Write Key do not contain the letter O. Please use the number 0 for all letter O's.



6. Checking NDAS device status.



7. Select how you want to mount the NDAS device.



– Read/Write Mode : Mounts NDAS device as Read/Write Mode.

NOTE : Read/Write Mode will be disabled if a user did not enter the Write Key during step 5.

– Read–Only Mode : Mounts NDAS device as Read–Only Mode.

– Don't Mount : NDAS device is left in Connected (Unmounted) Mode.

8. Registration is finished.

Click Finish.



5.2 Found New Hardware Wizard

1. After you have registered, the Found New Hardware Wizard may appear.



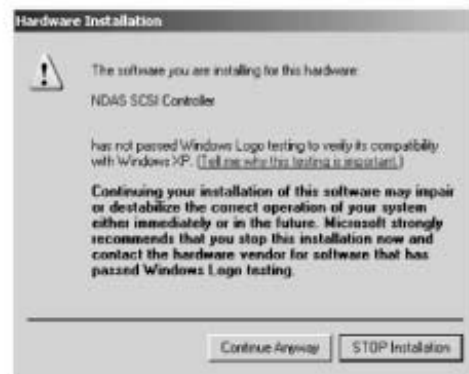
- If the window appears, click Next to install the new NDAS device.
- It should automatically find the appropriate drivers for your NDAS Device.

NOTE : For Windows 2000, Upgrade Device Driver Wizard will appear instead.

2. If the Windows Logo Testing message comes up, click Yes or Continue Anyway to finish the installation.



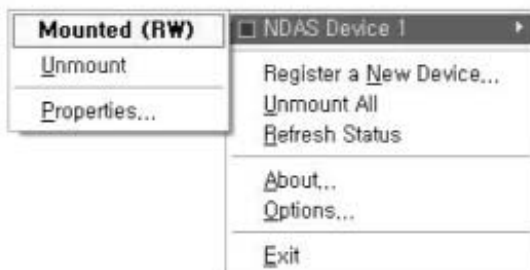
Windows 2000
Click "Yes"



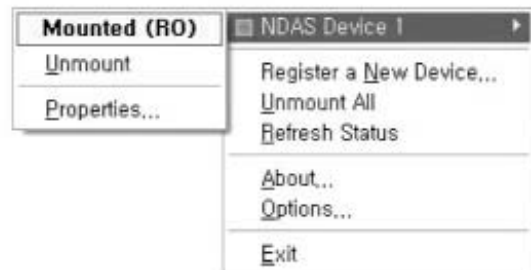
Windows XP
Click "Continue Anyway"

3. Registration is completed.

Click NDAS Device Management  to see the registered NDAS device.



Read/Write Mode



Read-Only Mode

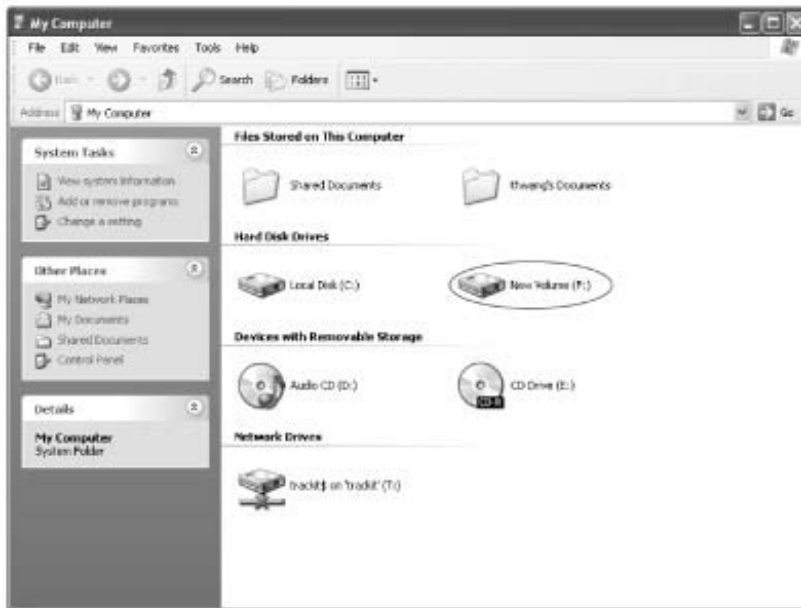
NOTE : If you cannot see you NDAS Device , please click Refresh Status and check again.

5.3 Using NDAS Device

Now that you have successfully installed NDAS device, it's time to familiarize yourself with using the NDAS device. Your NDAS device will show up as a local drive in My Computer. Drive letter and NDAS device name may vary between Personal Computers.

You can use NDAS device like a local drive on your PC.

- Drag and drop files to NDAS device
- Copy and paste data to NDAS device
- Make and delete folders.
- Share files and folders.
- Backup your data.



5.4 Sharing NDAS Device

- Once NDAS device is connected to your network, it can be accessed from any computer on your LAN.
- To share NDAS device, the following must occur :

Windows 2000/XP Environment :

- All computers and NDAS device must be on the same LAN.
- NDAS device must be connected via Ethernet or Wireless Router.
- To share Read and Write access, all computers on the network using the NDAS device must have the S/W driver version 3.1.x or higher installed.
- NDAS device must be registered onto each computer.