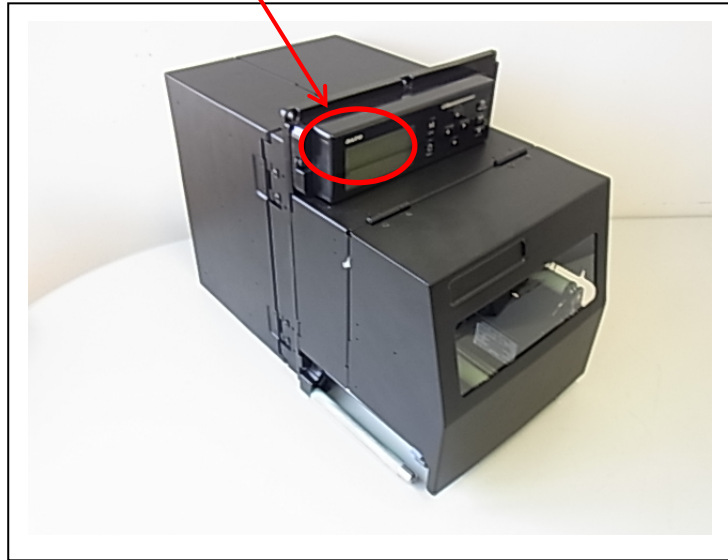


Bluetooth Module “BT 301(VRB4123-0102E)

Bluetooth Module



This module is limited to the use of bar code printer s-84/86 series.



S84ex/S86ex

Quick Guide
Kurzanleitung
Guide Rapide
Guía Rápida
Guia Rápido
퀵 가이드



First edition: Apr 2014 Q04522500
©2014 SATO CORPORATION

Open Source Software

This printer product includes open source software applied to the open source software license. Please see our web site for more information.
<http://www.satoworldwide.com/licenses/OSS.aspx>

This product is also designed for IT power distribution system with phase-to-phase voltage 230 V.

| |
|--|
| Noise(EMC)standards / EMC-Normen, Geräuschnormen / Normes relatives aux interférences (EMC) / Estándares de ruido (EMC) / Padrões de emissão de ruído (EMC) / 노이즈 (EMC) 표준 FCC15B Class A, ICES-003 Class A EN55022, EN55024, KN22, KN24 GB9254, GB17625.1 |
|--|

| |
|--|
| Safety standards / Sicherheitsstandards / Normes de sécurité / Estándares de seguridad / Padrões de segurança / 안전표준 UL 60950-1, CSA C22.2 No.60950-1 EN60950-1, K60950-1 GB4943.1 |
|--|

| |
|--|
| Lärm-Emmissionswert < 70 dB(A) |
| RoHS-Richtlinie Wir haben uns verpflichtet, nur Materialien zu verwenden, die keine von der RoHS-Richtlinie betroffenen Substanzen enthalten. Von der RoHS-Richtlinie betroffene Substanzen (6 Stoffe) Sechswertiges Chrom 0,1 % oder weniger Blei..... 0,1 % oder weniger Quecksilber..... 0,1 % oder weniger Cadmium 0,01 % oder weniger Polybromierte Biphenyle(PBB)..... 0,1 % oder weniger Polybromierte Diphenylether(PBDE).... 0,1 % oder weniger |

Basic Specifications

PRINT SPECIFICATIONS

| | | | |
|---------------------------|-------------------------------------|----------------------|----------------------|
| Model name | S84ex/S86ex | | |
| Print method | Direct thermal and Thermal transfer | | |
| Head density (Resolution) | 203 dpi (8 dots/mm) | 305 dpi (12 dots/mm) | 609 dpi (24 dots/mm) |

OPERATING CHARACTERISTICS

| |
|---|
| Dimensions 245 (W) X 408 (D) X 300 (H) mm (9.6" X 16.1" X 11.8") except protruding parts |
| Weight 16.0 kg (35.3 lbs) |
| Power requirements (1) Input voltage: AC 100 - 240 V, ±10 % (2) Frequency: 50/60 Hz (3) Power consumption Input power voltage condition: AC 115 V / 50 Hz At peak: 180 VA / 180 W (at 30 % printing ratio) Standby: 30 VA / 25 W |
| Environmental conditions (Temperature/Humidity) (1) Operating: -5 - 40 °C (23 - 104 °F), 15 - 80 % RH (non-condensing) (2) Storage: -20 - 60 °C (-4 - 140 °F), 15 - 90 % RH (non-condensing) |

Especificaciones Básicas

ESPECIFICACIONES DE LA IMPRESIÓN

| | | | |
|------------------------------------|--|------------------------|------------------------|
| Nombre del modelo | S84ex/S86ex | | |
| Método de impresión | Térmica directa y de Transferencia térmica | | |
| Densidad de cabezales (Resolución) | 203 ppp (8 puntos/mm) | 305 ppp (12 puntos/mm) | 609 ppp (24 puntos/mm) |

CARACTERÍSTICAS DE OPERACIÓN

| |
|---|
| Dimensiones 245 (An) X 408 (P) X 300 (Al) mm excepto las partes salientes. |
| Peso 16,0 kg |
| Requisitos de alimentación de corriente (1) Voltaje de entrada: AC 100 - 240 V, ±10 % (2) Frecuencia: 50/60 Hz (3) Consumo de Energía Condiciones de voltaje de entrada de corriente: AC 115 V / 50 Hz Máximo: 180 VA / 180 W (con 30% impreso) En standby: 30 VA / 25 W |
| Condiciones ambientales (Temperatura/ Humedad) (1) En funcionamiento: -5 - 40 °C, 15 - 80 % RH (sin condensación) (2) En almacenaje: -20 - 60 °C, 15 - 90 % RH (sin condensación) |

Wesentliche technische Daten

DRUCKDATEN

| | | | |
|------------------------------------|--------------------------------|------------------------|------------------------|
| Modellname | S84ex/S86ex | | |
| Druckverfahren | Thermodirekt oder Thermodirekt | | |
| Thermokopf-Druckdichte (Auflösung) | 203 dpi (8 Punkte/mm) | 305 dpi (12 Punkte/mm) | 609 dpi (24 Punkte/mm) |

BETRIEBSDATEN

| |
|--|
| Abmessungen 245 (B) X 408 (T) X 300 (H) mm, ausgenommen hervorstehende Teile. |
| Gewicht 16,0 kg |
| Spannungsversorgung (1) Eingangsspannung: WS 100 - 240 V, ±10 % (2) Frequenz: 50/60 Hz (3) Leistungsaufnahme Eingangsspannungsbedingungen: WS 115 V / 50 Hz Bei Spitze: 180 VA / 180 W (bei 30 % Druckverhältnis) Im Bereitschaftszustand: 30 VA / 25 W |
| Umgebungsbedingungen (Temperatur/ Luftfeuchtigkeit) (1) Bei Betrieb: -5 - 40 °C, 15 - 80 % rel. F. (nicht kondensierend) (2) Bei Lagerung: -20 - 60 °C, 15 - 90 % rel. F. (nicht kondensierend) |

Especificações Básicas

ESPECIFICAÇÕES DA IMPRESSÃO

| | | | |
|-----------------------------------|--|------------------------|------------------------|
| Nome do modelo | S84ex/S86ex | | |
| Método de impressão | Impressão térmica direta e Transferência térmica | | |
| Densidade do cabeçote (Resolução) | 203 ppp (8 pontos/mm) | 305 ppp (12 pontos/mm) | 609 ppp (24 pontos/mm) |

CARACTERÍSTICAS OPERACIONAIS

| |
|--|
| Dimensões 245 (L) X 408 (P) X 300 (A) mm exceto as partes salientes. |
| Peso 16,0 kg |
| Requisitos de alimentação de energia (1) Voltagem: AC 100 - 240 V, ±10 % (2) Freqüência: 50/60 Hz (3) Consumo de Energia Condições de voltagem de alimentação de energia: AC 115 V / 50 Hz Máximo: 180 VA / 180 W (com 30% de impressão) Em standby: 30 VA / 25 W |
| Condições ambientais (Temperatura/ Humidade) (1) Funcionamento: -5 - 40 °C, 15 - 80 % HR (sem condensação) (2) Armazenamento: -20 - 60 °C, 15 - 90 % HR (sem condensação) |

Spécifications de base

SPECIFICATIONS D'IMPRESSION

| | | | |
|---------------------------------|---|------------------------|------------------------|
| Nom du modèle | S84ex/S86ex | | |
| Méthode d'impression | Direct thermique et Transfert thermique | | |
| Densité de la tête (Résolution) | 203 dpi (8 points/mm) | 305 dpi (12 points/mm) | 609 dpi (24 points/mm) |

CARACTERISTIQUES DE FONCTIONNEMENT

| |
|---|
| Dimensions 245 (L) X 408 (P) X 300 (H) mm sans les parties saillantes |
| Poids 16,0 kg |
| Spécifications pour l'alimentation électrique (1) Tension d'entrée: CA 100 - 240 V, ±10 % (2) Fréquence: 50/60 Hz (3) Puissance consommée Spécification sur la tension d'alimentation: CA 115 V / 50 Hz Tension électrique max: 180 VA / 180 W (à 30 % taux d'impression) Veille: 30 VA / 25 W |
| Conditions d'utilisation (Température / Humidité) (1) En service: -5 - 40 °C, hygrométrie 15 - 80 % (sans condensation) (2) En stockage: -20 - 60 °C, hygrométrie 15 - 90 % (sans condensation) |

기본 사양

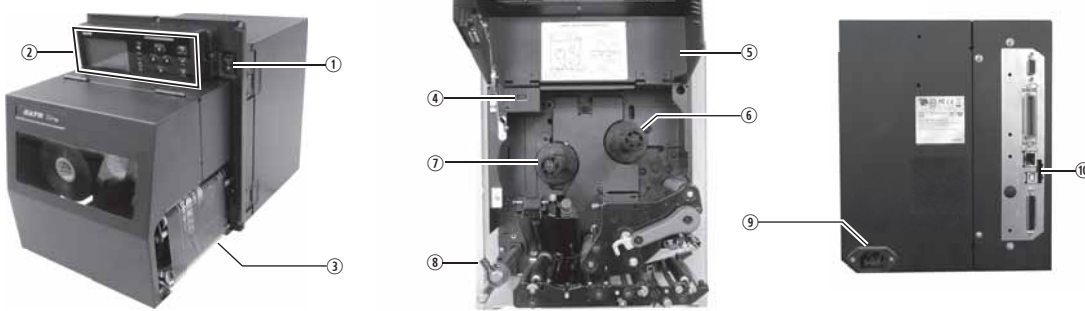
인쇄

| | | | |
|-------------|-------------------|--------------------|--------------------|
| 모델명 | S84ex/S86ex | | |
| 인쇄 방식 | 감열 및 열전사 | | |
| 헤드 밀도 (해상도) | 203 dpi (8 도트/mm) | 305 dpi (12 도트/mm) | 609 dpi (24 도트/mm) |

동작 환경

| |
|---|
| 치수 245 (W) X 408 (D) X 300 (H) mm 돌출부는 제외 |
| 중량 16.0 kg |
| 전원 사양 (1) 입력전압: AC 100 - 240 V, ±10 % (2) 주파수: 50/60 Hz (3) 소비전력 입력전압 조건: AC 115 V / 50 Hz 피크 시: 180 VA / 180 W (at 30 % 인쇄 비율에서) 대기 시: 30 VA / 25 W |
| 환경 조건 (온도/습도) (1) 조작 환경: -5 - 40 °C, 15 - 80 % RH (단, 결로가 없을 것) (2) 보관 환경: -20 - 60 °C, 15 - 90 % RH (단, 결로가 없을 것) |

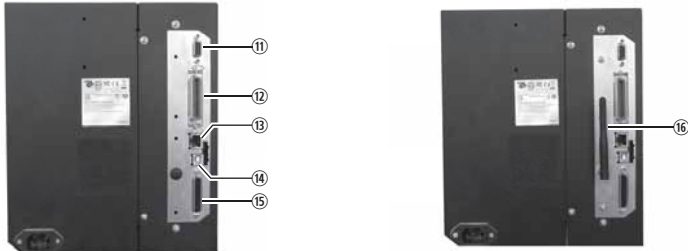
S84ex/S86ex



Interface / Schnittstelle / Interface / Interfaz / Interface / 인터페이스

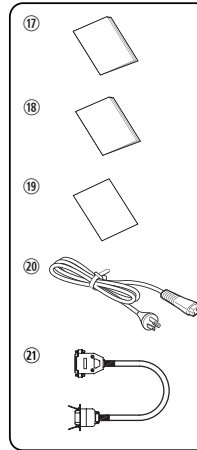
Standard Model
Standard modell
Modèle standard
Modelo standard
Modelo standard
콤보모델

WLAN Model
WLAN-modell
Modèle avec interface WLAN
Modelo WLAN
Modelo WLAN
WLAN 모델

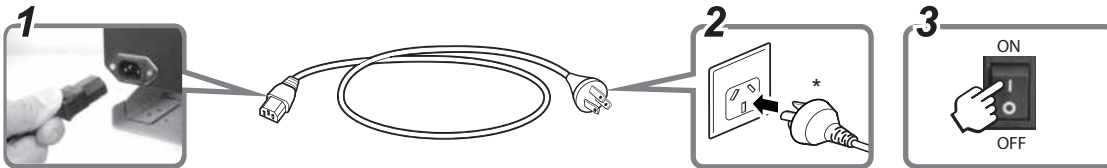


- * Turn off the power before connecting the interface cable to the printer.
- * Vor dem Aufstecken des Schnittstellenkabels den Drucker ausschalten.
- * Couper l'alimentation avant de brancher le câble d'interface à l'imprimante.
- * Apague la corriente antes de conectar el cable de interfaz a la impresora.
- * Desligue a energia antes de conectar o cabo de interface na impressora.
- * 프린터에 인터페이스 케이블을 연결하기 전에 전원을 꺼주세요.

Accessories / Zubehör / Accessoires / Accesorios / Acessórios / 부속품



Turning on the Power / Einschalten des Stroms / Mise sous tension / Encendido de la Impresora / Ligando a Energia / 전원 켜기



- * The shape of power plug varies depending on the region in which it was purchased.
- * Die Form der Stecker kann je nach Land unterschiedlich sein.
- * La forme de la prise secteur varie en fonction du pays ou a été achetée la machine.
- * La forma de la toma de corriente puede ser distinta si la impresora es adquirida en una región diferente.
- * O formato do plugue de energia pode ser diferente se a impressora for comprada em outra região.
- * 프린터를 다른 지역에서 구입한 경우에는 전원 플러그의 모양이 다를 수 있습니다.

Names of Parts

- ① Power switch
- ② Operator panel
- ③ Media discharge outlet
- ④ USB connector (Type A)
- ⑤ Top cover
- ⑥ Ribbon rewind spindle
- ⑦ Ribbon supply spindle
- ⑧ Media guide
- ⑨ AC input terminal
- ⑩ SD card slot

Interface

- ⑪ RS-232C connector
- ⑫ IEEE1284 connector
- ⑬ LAN connector
- ⑭ USB connector (Type B)
- ⑮ EXT connector
- ⑯ WLAN antenna

Accessories

- ⑰ Quick guide
- ⑱ Safety instructions
- ⑲ Global Warranty Program leaflet
- ⑳ AC power cord
- ㉑ 14pin conversion cable

Bezeichnung der Teile

- ① Netzschalter
- ② Bedienfeld
- ③ Etikettenauswurf
- ④ USB-Buchse (Typ A)
- ⑤ Obere Abdeckung
- ⑥ Karbonbandspule-Aufwicklungsspule
- ⑦ Karbonbandspule
- ⑧ Etikettenführung
- ⑨ Wechselstromanschluss
- ⑩ Karteneinschub

Schnittstelle

- ⑪ RS-232C-Buchse
- ⑫ IEEE1284-Buchse
- ⑬ LAN-Buchse
- ⑭ USB-Buchse (Typ B)
- ⑮ EXT-Buchse
- ⑯ WLAN Antenne

Zubehör

- ⑰ Kurzanleitung
- ⑱ Sicherheitshinweise
- ⑲ Weltweite garantie
- ⑳ Netzkabel
- ㉑ 14pin Adapter Kabel

Nom des pièces

- ① Interrupteur d'alimentation
- ② Panneau opérateur
- ③ Sortie Etiquette
- ④ Connecteur USB (Type A)
- ⑤ Capot supérieur
- ⑥ Axe enrouleur de ruban
- ⑦ Axe dérouleur de ruban
- ⑧ Guide étiquettes
- ⑨ Borne d'entrée secteur
- ⑩ Emplacement carte SD

Interface

- ⑪ Connecteur RS-232C
- ⑫ Connecteur IEEE1284
- ⑬ Connecteur LAN
- ⑭ Connecteur USB (Type B)
- ⑮ Connecteur EXT
- ⑯ Antenne LAN sans fil

Accessoires

- ⑰ Guide rapide
- ⑱ Consignes de sécurité
- ⑲ Brochure "programme de garantie"
- ⑳ Cordon d'alimentation secteur
- ㉑ Câble de conversion 14 broches

Nombre de las Partes

- ① Interruptor de corriente
- ② Panel de operaciones
- ③ Salida de papel
- ④ Conector USB (Tipo A)
- ⑤ Cubierta superior
- ⑥ Perno rebobinador de la cinta de tinta
- ⑦ Perno suministrador de la cinta de tinta
- ⑧ Guía de etiquetas
- ⑨ Terminal de entrada de corriente alterna (AC)
- ⑩ Rcanura tarjeta SD

Interfaz

- ⑪ Conector RS-232C
- ⑫ Conector IEEE1284
- ⑬ Conector LAN
- ⑭ Conector USB (Tipo B)
- ⑮ Conector EXT
- ⑯ Antena WLAN

Accesorios

- ⑰ Guía rápida
- ⑱ Instrucciones de seguridad
- ⑲ Especificaciones de garantía
- ⑳ Cable de corriente AC
- ㉑ Cable conversor 14pins

Nome das Partes

- ① Interruptor de alimentação
- ② Painel de Operação
- ③ Saída de papel
- ④ Conector USB (Tipo A)
- ⑤ Tampa superior
- ⑥ Haste rebobinadora de ribbon
- ⑦ Eixo suprimento de ribbon
- ⑧ Guia de etiquetas
- ⑨ Terminal de entrada AC
- ⑩ Slot para cartão SD

Interface

- ⑪ Conector RS-232C
- ⑫ Conector IEEE1284
- ⑬ Conector LAN
- ⑭ Conector USB (Tipo B)
- ⑮ Conector EXT
- ⑯ Antena WLAN

Acessórios

- ⑰ Guia rápido
- ⑱ Instruções de Segurança
- ⑲ Folheto-GWP (Potencial de Aquecimento Global)
- ⑳ Cabo de energia AC
- ㉑ Cabo conversor 14 pins

각부의 명칭

- ① 전원 스위치
- ② 조작 패널
- ③ 라벨 배출구
- ④ USB 커넥터 (타입 A)
- ⑤ 탑 커버
- ⑥ 리본 되감기 스펀들
- ⑦ 리본 공급 스펀들
- ⑧ 라벨 가이드
- ⑨ AC 전원 입력 단자
- ⑩ SD 카드 슬롯

인터페이스

- ⑪ RS-232C 커넥터
- ⑫ IEEE1284 커넥터
- ⑬ LAN 커넥터
- ⑭ USB 커넥터 (타입 B)
- ⑮ EXT 커넥터
- ⑯ 무선랜 안테나

부속품

- ⑰ 퀵 가이드
- ⑱ 안전 지시서
- ⑲ 글로벌 보증서
- ⑳ AC 전원코드
- ㉑ 14

Industry Canada (IC) Statement for Bluetooth

This device complies with Industry Canada license-exempt RSS standard(s). Operation is subject to the following two conditions:

- This device may not cause interference
- This device must accept any interference, including interference that may cause undesired operation of the device

This equipment complies with IC radiation exposure limits set forth for an uncontrolled environment and meets RSS-102 of the IC radio frequency (RF) Exposure rules. This equipment should be installed and operated keeping the radiator at least 20 cm or more away from person's body (excluding extremities: hands, wrists, feet and ankles).

Le présent appareil est conforme aux CNR d'Industrie Canada applicables aux appareils radio exempts de licence. L'exploitation est autorisée aux deux conditions suivantes :

- L'appareil ne doit pas produire de brouillage
- L'utilisateur de l'appareil doit accepter tout brouillage radioélectrique subi, même si le brouillage est susceptible d'en compromettre le fonctionnement

Cet équipement est conforme aux limites d'exposition aux rayonnements énoncées pour un environnement non contrôlé et respecte les règles d'exposition aux fréquences radioélectriques (RF) CNR-102 de l'IC. Cet équipement doit être installé et utilisé en gardant une distance de 20 cm ou plus entre le dispositif rayonnant et le corps (à l'exception des extrémités : mains, poignets, pieds et chevilles).

Disposal of Old Electrical & Electronic Equipment (Applicable in the European Union and other European countries with separate collection systems)



A product marked with this symbol on itself or on its packaging shall not be treated as household waste. Instead it shall be handed over to an appropriate collection point for the recycling of electrical and electronic equipment in accordance with local regulations. Inappropriate waste handling of this product may cause detrimental consequences for the environment and damage to human health. The recycling of materials will help to conserve natural resources and contribute to your community. For more detailed information on recycling of this product, please contact your local municipal organization, your household waste disposal service or the dealer where you purchased the product.

EN55022 Warning

This is a class A product

In a domestic environment this product may cause radio interference, in which case the user may be required to take adequate measures.

EN55022 Warnung

Dies ist eine Klasse A Produkt

In einer häuslichen Umgebung verursacht dieses Produkt vielleicht Radioeinemischung in dem Fall, der vom Benutzer vielleicht verlangt wird, adäquate Maßnahmen zu ergreifen.

DRAFT

Regulatory Approval

FCC Warning

You are cautioned that changes or modifications not expressly approved by the party responsible for compliance could void your authority to operate the equipment.

This device complies with Part 15 of the FCC Rules. Operation is subject to the following two conditions: (1) this device may not cause harmful interference, and (2) this device must accept any interference received, including interference that may cause undesired operation.

This equipment has been tested and found to comply with the limits for a Class B digital device, pursuant to Part 15 of the FCC Rules. These limits are designed to provide reasonable protection against harmful interference in a residential installation. This equipment generates, uses and can radiate radio frequency energy and, if not installed and used in accordance with the instructions, may cause harmful interference to radio communications.

However, there is no guarantee that interference will not occur in a particular installation.

If this equipment does cause harmful interference to radio or television reception, which can be determined by turning the equipment off and on, the user is encouraged to try to correct the interference by one or more of the following measures:

- Reorient or relocate the receiving antenna.
- Increase the separation between the equipment and receiver.
- Connect the equipment into an outlet on a circuit different from that to which the receiver is connected.
- Consult the dealer or an experienced radio/TV technician for help.

Shielded cable must be used in order to comply with the emission limits.

FCC Statement for Optional Wireless LAN

This device complies with RF radiation exposure limits set forth for an uncontrolled environment.

The antenna used for this transmitter must be installed to provide a separation distance of at least 20 cm from all persons and must not be collocated or operating in conjunction with any other antenna or transmitter.

Bluetooth/Wireless Communication

Compliance Statement

This product has been certified for compliance with the relevant radio interference regulations of your country or region. To ensure continued compliance, do not:

- Disassemble or modify this product
- Remove the certificate label (serial number seal) affixed to this product

Use of this product near microwave and/or other wireless LAN equipment, or where static electricity or radio interference is present, may shorten the communication distance, or even disable communication.

DRAFT