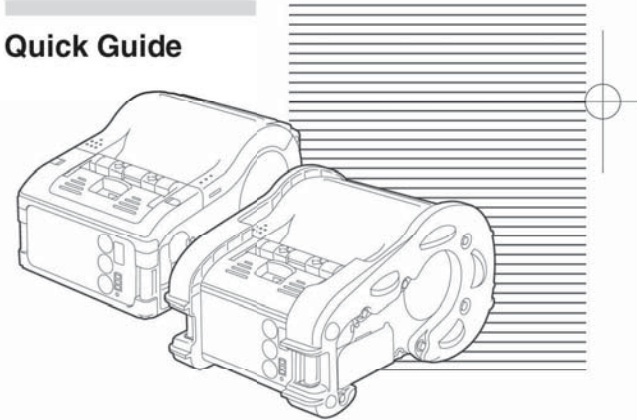




Barcode Printer
MB200i/MB201i

Quick Guide



Introduction

This manual is intended to help you become familiar with the basic operation of MB200/MB201i the barcode printer in a short time.

Please read this manual carefully to make full use of the functions of MB200i/MB201i.

Notes

1. Reproduction of all or part of this manual is prohibited without permission of the copyright owner.
2. The information in this manual is subject to change without notice.
3. If you find any ambiguous or erroneous information in this manual, please contact your nearest dealer or service center.

4th Edition September 1, 2008 Q01147010
© 2008 Sato Corporation

To customers purchasing the Bluetooth or wireless LAN options:

Cautions regarding radio waves

This product is certified to meet technical standards based on the Radio Law. Therefore, no wireless license is required to use this printer.

The following actions can be punishable by law:

- Disassembly or modification of this printer
- Removing the certification label (serial label) on this printer

Use in the following locations may drastically shorten the communication distance, or prevent communication.

- Near a microwave oven; locations where static electricity or radio wave interference is abundant; near wireless LAN equipment.



"Bluetooth" is a registered trademark of Bluetooth SIG, Inc. USA.
Our company is using this trademark based on a licensing contract with this association.

Before using the wireless LAN interface, be sure to set all security-related settings for the wireless LAN equipment according to this manual.

Table of Contents

Preparation	1. Safety Precautions	5
	Markings and Symbols	5
	Precautions in Use	14
	2. Unpacking	16
	3. Parts Name	17
	Name and Function of Controls	19
	4. Before Starting	20
	Charging the Battery Pack	20
	Installing and removing the Battery Pack ..	24
	Using AC Adapter	26
Setting Labels	27	
• Continuous mode	27	
Operation	5. Test Printing	29
Reference	6. Reference	30
	Options	30
	DIP Switch	31
	Basic Specifications of MB200i/MB201i ..	34

1. Safety Precautions

In this section, safety precautions about printer operation are explained to ensure proper care and usage. Make sure to read these carefully before using your printer.

Markings and Symbols

The following symbols or markings are used in this manual and on the printer so that you can properly use the printer, and to prevent any damage to property, harm or injury to yourself and others. Make sure to read their explanations carefully to familiarize yourself with their meanings.

Warning

This symbol indicates information that, if ignored or applied incorrectly, creates the danger of death or serious personal injury.

Caution

This symbol indicates information that, if ignored or applied incorrectly, creates the possibility of personal injury or property damage.

Symbol examples

1

Safety Precautions



The triangle (\triangle) indicates something you should take absolute care with. The cautions are indicated concretely within the symbol. The symbol on the left indicates a risk of electric shock.



A circle with a diagonal line (\otimes) indicates something you should not do. The symbol on the left indicates that you should not try to take the unit apart.



A black circle with a picture inside (\bullet) indicates something you need to do. The symbol on the left indicates that you should unplug the unit from the wall outlet.

6

Warning

Liquid



Do not place any container with water or chemicals, such as flower vase or cup, as well as small metallic objects, near the printer. If any of these should fall into the printer, immediately turn off the power and contact your nearest dealer or service center. Continued use creates a damage of fire or electric shock.

Foreign Matter



Do not drop or insert metallic or flammable objects into the openings on the printer (such as outlets for cables). If any of these should fall into the printer, immediately turn off the power and contact your nearest dealer or service center. Continued use creates a danger of fire or electric shock.

Dropping and Damage



Should the printer ever fall or otherwise become damaged, immediately turn off the power and contact your nearest dealer or service center. Continued use creates a danger of fire or electric shock.

1

Safety Precautions




7

1



Safety Precautions

Warning





Abnormal Conditions

-  Continued use of the printer while it is emitting smoke or strange odors creates the danger of fire or electric shock. Immediately turn off the power and contact your nearest dealer or service center. Do not try to service the printer by yourself.
- 
- 

Disassembly

-  Never try to take the unit apart or modify it in any way. Doing so creates the danger of fire or electric shock. Contact your nearest dealer or service center for repair.
- 




Battery Pack

-  Never try to take apart the battery pack or modify it in any way such as with a solder iron.
-  Never expose the battery to direct flame, throw it into fire, or take any actions that may lead to shorting.
-  When charging the battery pack, make sure to use the printer or the specified battery charger.
- 

8

Warning

AC Adapter/Battery Charger (Option)

-  Use only the specified voltage. Using a different voltage may create the danger of fire or electric shock.
-  Use only the specified battery charger. Using a different battery charger may create the danger of fire or electric shock.
-  Never use the battery charger with any other battery pack except for the specified one. Doing so can rupture the battery, cause leakage, fire or electric shock.
- Never cut, damage or modify the power cord. Also, never place heavy objects on the power cord or heat or pull the power cord. Doing so may damage the cord and create the danger of fire or electric shock.
- Should the power cord ever become seriously damaged (internal wiring exposed or shorted), contact your nearest dealer or service center for repair. Continued use of such a cord creates the danger of fire or electric shock.
- Never modify, excessively bend, twist, or pull the power cord. Doing so creates the danger of fire or electric shock.

1

Safety Precautions

9

Caution

Location
Do not locate the printer in the area subjected to high humidity or dew. If dew forms inside the printer, immediately turn off the printer and do not use it until it has been dried up. Continued use creates the danger of electric shock or the printer damage.



Power
Do not use wet hands to operate the power switch, replace the battery pack or unplug the AC adapter or battery charger. Doing so creates the danger of electric shock.

Thermal Head and Stepping Motor

- The thermal head gets very hot after printing. Take care when replacing paper or cleaning the printer just after printing to avoid burn.



- Touching the end of the thermal head with bare hands may cause injury. Take care when replacing paper or cleaning the printer to avoid injury.
- Do not try to replace the thermal head by yourself. Doing so creates the danger of injury, burn, or electric shock.

Easy Cutter

This part contains a blade. Take care to avoid cutting your hands.

Warning

This device complies with Part 15 of the FCC Rules.

Operation is subject to the following two conditions:

- (1) This device may not cause harmful interference, and
- (2) This device must accept any interference received, including interference that may cause undesired operation.

FCC Caution:

Changes or modifications not expressly approved by the manufacturer for compliance could void the user's authority to operate the equipment.

NOTE : This equipment has been tested and found to comply with the limits for a Class B digital device, pursuant to Part 15 of the FCC Rules.

These limits are designed to provide reasonable protection against harmful interference in a residential installation. This equipment generates and can radiate radio frequency energy and, if not installed and used in accordance with instructions, may cause harmful interference to radio communications. However, there is no guarantee that interference will not occur in a particular installation.

If this equipment does cause harmful interference to radio or television reception, which can be determined by turning the equipment off and on, the user is encouraged to try to correct the interference by one or more of the following measures:

- Reorient or relocate the receiving antenna.
- Increase the separation between the equipment and receiver.
- Connect the equipment into an outlet on a circuit different from that to which the receiver is connected.
- Consult the dealer or an experienced radio/TV technician for help.

1

Safety Precautions

Warning

This manual show that both the specification of Bluetooth and wireless LAN. Please refer to the corresponding section which shows specification of Bluetooth or wireless LAN.

Wireless LAN specification.

The available scientific evidence does not show that any health problems are associated with using low power wireless devices. There is no proof, however, that these low power wireless devices are absolutely safe. Low power Wireless devices emit low levels of radio frequency energy (RF) in the microwave range while being used.

Whereas high levels of RF can produce health effects (by heating tissue), exposure to low level RF that does not produce heating effects causes no known adverse health effects. Many studies of low level RF exposures have not found any biological effects. Some studies have suggested that same biological effects might occur, but such findings have not been confirmed by additional research.



This Barcode Printer has been tested and found to comply with the Federal Communications Commission (FCC) guidelines on radio frequency energy (RF) exposures.

This device should not be co-located or operated with any other antenna transmitter.


12

Caution


Replacing the Battery Pack

-  Use only the specified battery pack.
-  When replacing the battery pack, make sure to install the pack with the correct direction. Incorrectly replacing the battery create the danger of injury or damage to surrounding areas.
- Replacing a small-size rechargeable battery (Lithium ion battery) Apply insulation treatment for the old battery pack by sealing the contact with tape or the like and ask our sales representative or service center for the measure to be taken for effective use of scarce resource. Do not place the battery pack together with other batteries such as dry batteries.

Leaving the printer unused for a long time

-  If you have no plan to use the print for a long time, remove the battery pack from the printer and unplug the AC adapter from the wall outlet.

Maintenance and Cleaning

-  For safe maintenance or cleaning of the printer, make sure to remove the battery pack and the AC adapter from the printer.

1

Safety Precautions

13

Precautions in Use

1

Safety Precautions

Do not place the printer in a hot or cold place.

The operation temperature range is -15 to 50°C (Wireless LAN model: 0 to 50°C). Do not place the printer in an area with high humidity or at the temperature outside the specified range.

Do not drop or give shock to the printer.

The printer is given a protection against vibration possibly caused during normal transportation. However, do not apply extreme vibration or shock by dropping to the printer.

Do not disassemble or modify the printer.

The printer has high-precision components inside requiring fine adjustment. Do not disassemble the printer.

Connect the specified cables to the external input terminals.

Special cables are required to connect to the external equipment through the external input terminals. Contact your nearest dealer or service center if necessary.

Use a specified option.

Do not use a device not specified as option. Otherwise a fault may occur.

Use the specified paper.

Use the specified paper. Otherwise, broken head or faulty printing may occur.

14

Wireless LAN & Bluetooth specification.

IC (Industry Canada) Caution:

"The installer of this radio equipment must ensure that the antenna is located or pointed such that it does not emit RF field in excess of Health Canada limits for the general population; consult Safety Code 6, obtainable from Health Canada's website www.hc-sc.gc.ca/rpb"

CE Caution:

Hereby, SATO CORPORATION declares that this WM-B-AG-02 is in compliance with the essential requirements and other relevant provisions of Directive 1999/5/EC.

Bluetooth Specification



Wireless LAN specification.



If you want to get a copy of the original Declaration of Conformity of our products which relates the R&TTE, please contact to web address: www.barcodesato.com

1

Safety Precautions

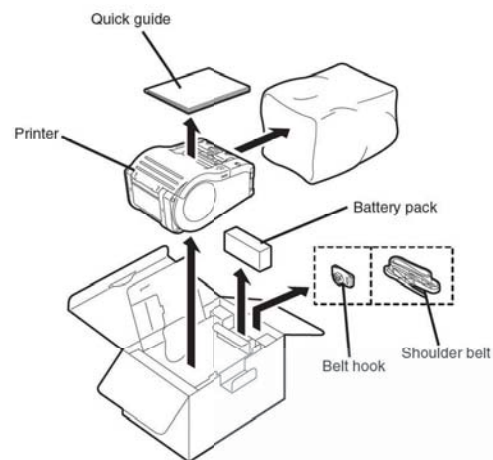
15

2

Unpacking

2. Unpacking

After unpacking, make sure that all the printer components are present. If any component or part is missing, contact your nearest dealer or service center.



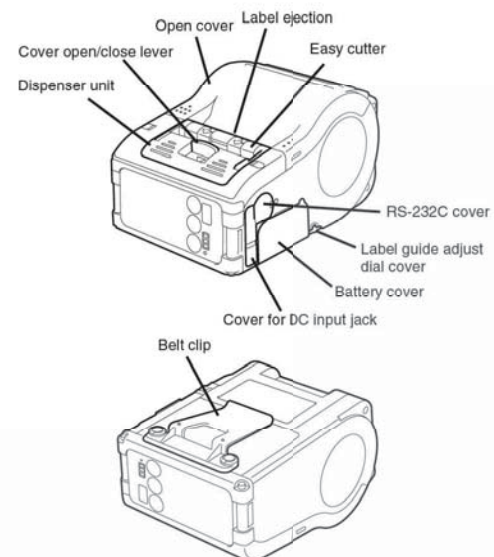
* Belt holder has already installed on the printer when shipping.
Shape of cushioning material (protecting pad, etc. for supporting printer) may partly differ by the lot.

16

3. Parts Name

3

Parts Name

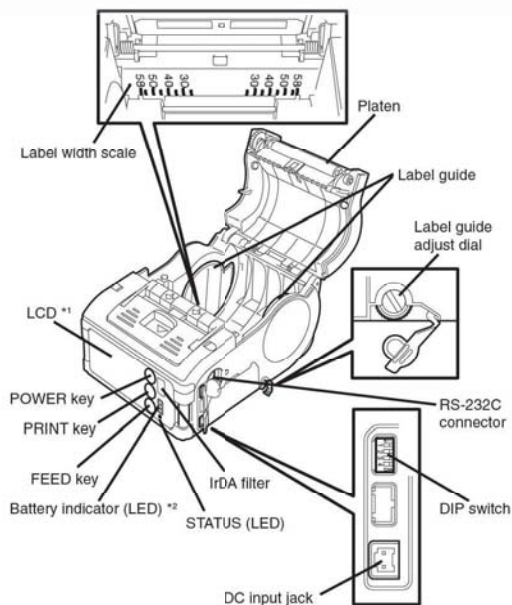


Note: MB200/MB201i series have two different models. One is the printer with the rubber boot and another is the printer without the rubber boot. This document shows the picture of the printer without the rubber boot.

17

3

Parts Name



**1 Operation panel with LCD is built in the wireless LAN interface model only (for manufacture option). For other option information, see "Reference" on page 30.

**2 Operation panel with LCD for the wireless LAN interface model has CHARGE LED (for manufacture option).

18

Name and Function of Controls

RS-232C Interface: Connects to PC or handy terminal. Used for connecting to a computer.
Signal: Low level -6.6 to +6.6 V
High level -6.6 to +6.6 V

RS-232C cover: Cover for RS-232C connector.

Open cover: Opened for setting labels.

Cover Open/Close lever: Used to open or close the cover.

Easy cutter: Cuts printed labels.

IrDA filter: Contains IrDA sensor and emitter.

DIP switch: Sets the operation mode of the printer. (See page 31.)

Dispenser unit: Moved to select Dispense mode.

POWER key: Turns on/off the printer.

Battery cover: Cover for special battery pack.

Battery indicator (LED): Indicates the remaining amount of battery of the printer.

Belt clip: Used when hanging the printer on your belt.
* Do not hang the printer on to anything but a belt.

Label guide: Set to meet the size of the label used.

Label guide adjust dial: Adjusts the label guide to the width of the label used.

Label guide adjust dial cover: Cover for label guide adjust dial.

Label ejection: Ejects the printed label.

Label width scale: Indicates the width of label used.

DC Input Jack: Connects to AC adapter.

Cover for DC Input Jack: Cover for DC input terminal and DIP switch.

FEED key: Press to feed label.

PRINT key: Sets the printer online or offline.

STATUS (LED): Indicates the status of the printer.

3

Parts Name

19