

## Installation Guide

# WIT100 Sensor

## Wireless Integrated Thread Sensor



### BEFORE YOU BEGIN

Read these instructions completely and carefully.



### WARNING

#### RISK OF ELECTRIC SHOCK

- Turn power off before inspection, installation or removal



In case of Digital bus miswiring mains can present on the device. Make sure all electricity switched off before inspection.

#### RISK OF FIRE

- Follow all relevant IEC or UL instructions and local building codes

### IMPORTANT

To ensure the product warranty is valid, please ensure all installation instructions and environmental conditions for storage and operation are complied with.

Only GE trained contractors can install the product.

### FCC / IC COMPLIANCE STATEMENTS

This device complies with part 15 of the FCC Rules. Operation is subject to the following two conditions: (1) This device may not cause harmful interference, and (2) this device must accept any interference received, including interference that may cause undesired operation.

This device complies with Industry Canada license exempt RSS standards. Operation is subject to the following two conditions:

- This device may not cause harmful interference, and
- This device must accept any interference received, including interference that may cause undesired operation.

Cet appareil est conforme aux normes RSS exemptées de licence de Industrie Canada.

Son fonctionnement est soumis aux deux conditions suivantes:

- Cet appareil ne doit pas provoquer d'interférences et
- Cet appareil doit accepter toute interférence, y compris celles pouvant causer un mauvais fonctionnement de l'appareil.

To satisfy FCC/ISED RF exposure requirements a separation distance of 20 cm or more must be maintained between the antenna of this device and persons during operation. Operation at closer than 20cm is not permitted

Pour être conforme aux limites d'exposition aux ondes RF des normes FCC/ISED, une distance de séparation d'au moins 20 cm doit être maintenue entre l'antenne de cet appareil et toute personne pendant son opération. Mettre en opération cet appareil à une distance plus rapprochée que 20 cm n'est pas permis.

## Product overview

The Wireless Integrated Therad sensor (WIT100) is a small-size, luminaire-integrated sensor with wireless communication, using the cutting-edge Thread protocol. This is based on the 802.15.4 standard and guarantees a secure and reliable communication between the luminaires in the room. Using the WIT100 sensor in each luminaire provides a state-of-the-art distributed lighting control based on the built-in motion sensing and daylight harvesting functionalities. This sensed information is then shared between all luminaires. The control of the luminaire is carried out through the DALI 2.0 digital bus between the output of the sensor and the control input of the luminaire's LED driver. The DALI bus also provides the necessary supply power for the sensor, no any

additional wiring and auxiliary power supply is required. This and the wireless communication help minimizing the installation costs. Besides the automatic operation of the system it is also possible to adjust preferred dimming levels manually through Current's energy-harvesting wireless switches. These switches do not require wires for communication, but they even use the mechanical energy of pushing the button to generate the necessary power for the electronics. The configuration of the system is done in a very easy way using through Current's Bluetooth-based iOS application.

## Technical data

### Key functions

Dimensions	58,5 x D35mm (2,303xD1,378 inch) + connected cable
Weight	15g
Current consumption	Max 8mA (without digital communication) @ Max. 20V DC
Sensor type	Passive infrared (PIR) sensor (for motion), light sensor
Operating Environment	0°C to 45°C / IP 20 - Indoor, dry location.
Status indicator	Network LED (amber): Network joined; Installation test
Connections	Cable connection to the Driver or Interface module.
Mounting	Easy screwless installation to a D22mm (0,866 inch) cut hole.
Recommended mounting height	3m
Warranty	5 years

### Product Certifications



FCC ID: PUU-WIT100  
IC ID: 10798A-PUUWIT100

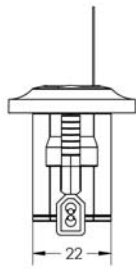
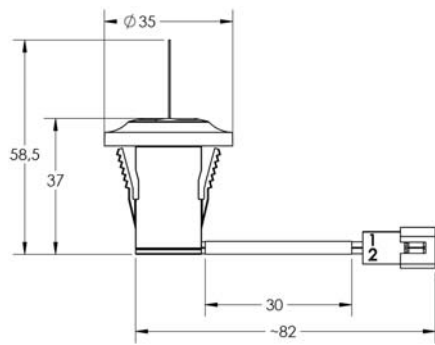
### Product availability

SKU	Description	Article No.
TBD	Wireless Integrated Thread Sensor	WIT100

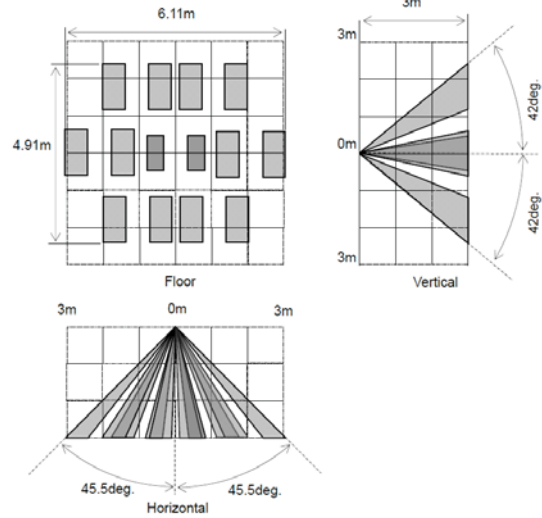
### Notes

Purpose of the Control	Operating Control
Method of Mounting Control	Independently Mounted Control for panel mounting
Type of action and additional features	Type 1
Control Pollution Degree	2
Software Class and Structure	Class A
Maximum Interconnection cables length	3 m

## Dimensions



## Sensor pattern



## Cable connection to driver

Connect the WIT100 Sensor Digital bus line with a TE770340 / TE350628 connector to the bellow drivers and interface module:

- Connected Indoor Driver (CID): limited compatibility to allow proper operation of fixture (OFF, background level dim and task level lighting) and OTA
- Philips Sensor Ready driver (SR): compatibility desirable but not required
- Leedarson 0-10V/DALI interface module: ON/OFF and dimming commands only (no Fault Reporting, no VLC, no Dimming Curve Change, no 1% diming, partial UL924)

