

# SaviTag ST-602-14 Compliance Notice

## Federal Communications Commission (FCC) Notice

The Federal Communications Commission has established technical standards regarding radio frequency energy emitted by computer devices. This equipment has been tested and found to comply with the limits for a Class A digital device, pursuant to Part 15 of the FCC Rules. These limits are designed to provide reasonable protection against harmful interference when the equipment is operated in a commercial environment. This equipment generates, uses, and can radiate radio frequency energy and, if not installed and used in accordance with the instruction manual, may cause harmful interference with radio/TV reception. Operation of this equipment in a residential area is likely to cause harmful interference, in which case the user will be required to correct the interference at his own expense.



*Changes or modifications to this equipment that are not expressly approved by Savi Technology could void the warranty and the authority to operate this equipment.*

*Savi Technology is not responsible for radio/TV interference caused by using unauthorized cable or by making unauthorized changes to this equipment.*

## Federal Communications Commission (FCC) Label Statement

This device complies with Part 15 of the FCC Rules. Operation is subject to the following conditions:

- This device may not cause harmful interference, and
- This device must accept any interference received, including interference that may cause undesired operation.

The label statement corresponds to the following devices:

	<i>Model</i>	<i>FCC ID</i>
Radio tag	ST-602-14	KL7-602T-V1

## Declaration of Conformity

Hereby, Savi Technology, Inc., 351 East Evelyn Avenue  
Mountain View, California 94041-1530

declares that the SaviTag ST-602-14 is in compliance with the essential requirements and other relevant provisions of Directive 1999/5/EC.



## Industry Canada Notice: Model ST-602-14

IC: 2404A-602T1

This Class A digital apparatus complies with Canadian ICES-003  
Cet appareil numérique de la classes A est conformé à la norme  
NMB-003 du Canada.

## Warning

This is a Class A product. In a domestic environment this product may cause radio interference in which case the user may be required to take adequate measures.

Savi Technology, Inc.  
351 East Evelyn Avenue  
Mountain View, CA 94041-1530

Phone: (650) 316-4700  
Fax: (650) 316-4750  
E-mail: help@savi.com  
Web site: www.savi.com

Copyright ©2007, Savi Technology, Inc. All rights reserved. First edition printed July 2007.


Copyright protection claimed includes all forms and matters of copyrightable material and information, now allowed by statutory or judicial law or hereinafter granted. Information in this guide is subject to change without notice and does not represent a commitment from the vendor.

Savi is a registered trademark and EchoPoint is a trademark of Savi Technology, Inc. Other product names mentioned in this guide may be trademarks or registered trademarks of their respective owners and are hereby acknowledged.

<b>Czech</b>	<i>Savi Technology, Inc.</i> tímto prohlašuje, že tento SaviTag ST-602-14 Compliance Notice je ve shodě se základními požadavky a dalšími příslušnými ustanoveními směrnice 1999/5/ES.
<b>Danish</b>	Undertegnede <i>Savi Technology, Inc.</i> erklærer herved, at følgende udstyr SaviTag ST-602-14 Compliance Notice overholder de væsentlige krav og øvrige relevante krav i direktiv 1999/5/EF.
<b>German</b>	Hiermit erklärt <i>Savi Technology, Inc.</i> , dass sich das Gerät SaviTag ST-602-14 Compliance Notice in Übereinstimmung mit den grundlegenden Anforderungen und den übrigen einschlägigen Bestimmungen der Richtlinie 1999/5/EG befindet.
<b>Estonian</b>	Käesolevaga kinnitab <i>Savi Technology, Inc.</i> seadme SaviTag ST-602-14 Compliance Notice vastavust direktiivi 1999/5/EÜ põhinõuetele ja nimetatud direktiivist tulenevatele teistele asjakohastele sätetele.
<b>English</b>	Hereby, <i>Savi Technology, Inc.</i> , declares that this SaviTag ST-602-14 Compliance Notice is in compliance with the essential requirements and other relevant provisions of Directive 1999/5/EC.
<b>Spanish</b>	Por medio de la presente <i>Savi Technology, Inc.</i> declara que el SaviTag ST-602-14 Compliance Notice cumple con los requisitos esenciales y cualesquiera otras disposiciones aplicables o exigibles de la Directiva 1999/5/CE.
<b>Greek</b>	ΜΕ ΤΗΝ ΠΑΡΟΥΣΑ <i>Savi Technology, Inc.</i> ΔΗΛΩΝΕΙ ΟΤΙ SaviTag ST-602-14 Compliance Notice ΣΥΜΜΟΡΦΩΝΕΤΑΙ ΠΡΟΣ ΤΙΣ ΟΥΣΙΩΔΕΙΣ ΑΠΑΙΤΗΣΕΙΣ ΚΑΙ ΤΙΣ ΛΟΙΠΕΣ ΣΧΕΤΙΚΕΣ ΔΙΑΤΑΞΕΙΣ ΤΗΣ ΟΔΗΓΙΑΣ 1999/5/EK.
<b>French</b>	Par la présente <i>Savi Technology, Inc.</i> déclare que l'appareil SaviTag ST-602-14 Compliance Notice est conforme aux exigences essentielles et aux autres dispositions pertinentes de la directive 1999/5/CE.
<b>Italian</b>	Con la presente <i>Savi Technology, Inc.</i> dichiara che questo SaviTag ST-602-14 Compliance Notice è conforme ai requisiti essenziali ed alle altre disposizioni pertinenti stabilite dalla direttiva 1999/5/CE.
<b>Latvian</b>	Ar šo <i>Savi Technology, Inc.</i> deklarē, ka SaviTag ST-602-14 Compliance Notice atbilst Direktīvas 1999/5/EK būtiskajām prasībām un citiem ar to saistītajiem noteikumiem.
<b>Lithuanian</b>	Šiuo <i>Savi Technology, Inc.</i> deklaruoja, kad šis SaviTag ST-602-14 Compliance Notice atitinka esminius reikalavimus ir kitas 1999/5/EB Direktyvos nuostatas.
<b>Dutch</b>	Hierbij verklaart <i>Savi Technology, Inc.</i> dat het toestel SaviTag ST-602-14 Compliance Notice in overeenstemming is met de essentiële eisen en de andere relevante bepalingen van richtlijn 1999/5/EG.
<b>Maltese</b>	Hawnhekk, <i>Savi Technology, Inc.</i> , jiddikjara li dan SaviTag ST-602-14 Compliance Notice jikkonforma mal-htigijiet essenzjali u ma provvedimenti oħrajn rilevanti li hemm fid-Dirrettiva 1999/5/EC.
<b>Hungarian</b>	Alulírott, <i>Savi Technology, Inc.</i> nyilatkozom, hogy a SaviTag ST-602-14 Compliance Notice megfelel a vonatkozó alapvető követelményeknek és az 1999/5/EC irányelv egyéb előírásainak
<b>Polish</b>	Niniejszym <i>Savi Technology, Inc.</i> oświadcza, że SaviTag ST-602-14 Compliance Notice jest zgodny z zasadniczymi wymogami oraz pozostałymi stosownymi postanowieniami Dyrektywy 1999/5/EC.
<b>Portuguese</b>	<i>Savi Technology, Inc.</i> declara que este SaviTag ST-602-14 Compliance Notice está conforme com os requisitos essenciais e outras disposições da Directiva 1999/5/CE.
<b>Slovenian</b>	<i>Savi Technology, Inc.</i> izjavlja, da je ta SaviTag ST-602-14 Compliance Notice v skladu z bistvenimi zahtevami in ostalimi relevantnimi določili direktive 1999/5/ES.

<b>Slovak</b>	<i>Savi Technology, Inc.</i> týmto vyhlasuje, že SaviTag ST-602-14 Compliance Notice spĺňa základné požiadavky a všetky príslušné ustanovenia Smernice 1999/5/ES.
<b>Finnish</b>	<i>Savi Technology, Inc.</i> vakuuttaa täten että SaviTag ST-602-14 Compliance Notice tyyppinen laite on direktiivin 1999/5/EY oleellisten vaatimusten ja sitä koskevien direktiivin muiden ehtojen mukainen.
<b>Swedish</b>	Härmed intygar <i>Savi Technology, Inc.</i> att denna SaviTag ST-602-14 Compliance Notice står i överensstämmelse med de väsentliga egenskapskrav och övriga relevanta bestämmelser som framgår av direktiv 1999/5/EG.
<b>Icelandic</b>	Hér með lýsir <i>Savi Technology, Inc.</i> yfir því að SaviTag ST-602-14 Compliance Notice er í samræmi við grunnkröfur og aðrar kröfur, sem gerðar eru í tilskipun 1999/5/EC.
<b>Norwegian</b>	<i>Savi Technology, Inc.</i> erklærer herved at utstyret SaviTag ST-602-14 Compliance Notice er i samsvar med de grunnleggende krav og øvrige relevante krav i direktiv 1999/5/EF.

# Installation Guide For SaviTag ST-602-14 Asset Tag

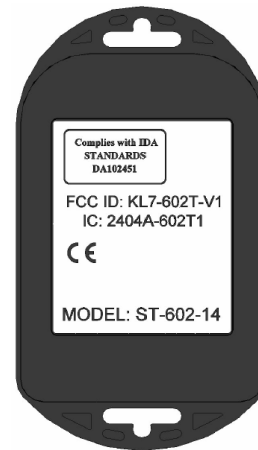
		Page 1 of 5 pages		<b>ELECTRONIC COPY NOT CONTROLLED IF PRINTED</b>	
Date Prepared June 27, 2007	Revision 1.0	Revision Date June 27, 2007	Revision Approval Ron Stein	DRAFT	

## SaviTag ST-602-14 Installation Guide

The SaviTag™ ST-602-14 consists of a printed circuit board incorporating a non-replaceable battery enclosed in a hermetically sealed plastic case.



**Figure 1: SaviTag ST-602-14  
top view**



**Figure 2: SaviTag ST-602-14  
bottom view**




**Figure 3: SaviTag ST-602-14  
side view**



**Figure 4: Optional STA-1602 Mounting Bracket  
for the ST-602-14**

# Installation Guide For SaviTag ST-602-14 Asset Tag

		Page 2 of 5 pages	ELECTRONIC COPY <b>NOT CONTROLLED IF PRINTED</b>
Date Prepared June 27, 2007	Revision 1.0	Revision Date June 27, 2007	Revision Approval Ron Stein <span style="float: right;">DRAFT</span>

- The SaviTag ST-602-14 tag is identified by an embossed logo on the front surface. On the back surface, one or more labels containing the product model number, and a unique serial number in both bar code and numerical format identify the product. The tag’s markings also identify relevant compliance markings (e.g., FCC).
- The ends at the length of the tag have holes and slots to enable the tag to be mounted on to a variety of surfaces and items. In addition, the back surface of the tag is flat and smooth to enable the tag to be affixed by double-sided tape or epoxy.
- An optional bracket accessory, the STA-1602 shown in Figure 4, is available to facilitate additional mounting scenarios. It also provides spacing between the tag’s antenna and the object to which the tag is mounted to minimize degradation RF transmission. This is especially important when the tag is mounted on large flat metal surfaces. The tag affixes to the bracket with a pair of supplied rivets.
- The SaviTag ST-602-14 tag is primarily intended for indoor use, but can withstand harsh environments and outdoor use where it can be exposed to rain, snow, dust, and direct exposure to sunlight.
- The tag’s battery life is rated at a nominal 5 year life when used under typical operating conditions. [Ron—you should define “typical” operating conditions—ex. 2 reads per day] The tag contains an internal lithium battery and therefore should be discarded according to local safety requirements.

# Installation Guide For SaviTag ST-602-14 Asset Tag



Page 3 of 5 pages

ELECTRONIC COPY  
NOT CONTROLLED IF PRINTED

Date Prepared June 27, 2007	Revision 1.0	Revision Date June 27, 2007	Revision Approval Ron Stein	DRAFT
--------------------------------	-----------------	--------------------------------	--------------------------------	-------



*The lithium battery can be harmful to the environment. Please follow current procedures for safely disposing of lithium batteries.*

## Tag Attachment

The SaviTag ST-602-14 contains integrated mounting options. Follow these steps to install the SaviTag ST-602-14:

1. Identify the object and/or surface to which the SaviTag ST-602-14 will be mounted.
2. When mounting the tag to a surface, the back (label side) of the tag should be closest to the target surface.
3. For optimal UHF transmission, the tag should be separated from flat surfaces, particularly metal surfaces, by 0.575 inch (1.5 cm.). The STA-1602 optional mounting bracket has been designed to provide this minimal clearance.
4. Prepare the surface as necessary, which includes cleaning the surface (especially if double-sided tape or epoxy will be used), drilling through holes if rivets will be used, or drilling guide holes if screws will be used.
5. The tag may be attached using adhesives or double-sided transfer tape, such as 3M/Scotch VHB, No. F9469PC.
6. If the tag or bracket is to be mounted using screws, both the tag and bracket are designed to be mounted using .25 inch (.6 cm) round-head, Philips, non self-tapping metal screws. The tag can accept only two screws. The bracket can accept two or four screws.
7. If the tag or bracket is to be mounted using rivets, both the tag and bracket are designed to accept rivets that will fit the through hole diameter of 0.125 inches (.3 cm). The length of the rivet should be chosen to ensure that the tag is fastened securely. The tag can accept only two rivets. The bracket can

# Installation Guide For SaviTag ST-602-14 Asset Tag



Page 4 of 5 pages

ELECTRONIC COPY  
NOT CONTROLLED IF PRINTED

Date Prepared  
June 27, 2007

Revision  
1.0

Revision Date  
June 27, 2007

Revision Approval  
Ron Stein

DRAFT

accept two or four rivets. The thickness of the shelf is 0.15 inch (.4 cm). Thus,, any chosen rivet needs to extend the size of the target hole plus 0.15 inches (.4 cm).

8. The tag may also be mounted using cable ties, small hook-and-loop straps, or equivalent. The dimensions of the slots are 0.55 inch (1.4 cm) wide by 0.11 inch (.3 cm)thick.

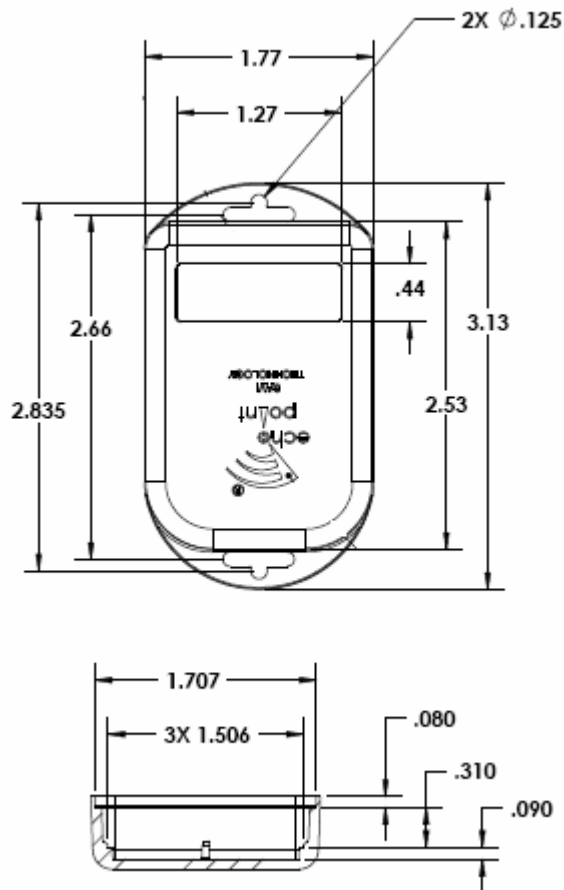



Figure 5: Tag Dimensions

# Installation Guide For SaviTag ST-602-14 Asset Tag

		Page 5 of 5 pages	ELECTRONIC COPY <b>NOT CONTROLLED IF PRINTED</b>
Date Prepared June 27, 2007	Revision 1.0	Revision Date June 27, 2007	Revision Approval Ron Stein <span style="float: right;">DRAFT</span>

## Tag Operation

- After installation, SaviTag ST-602-14 operation can be verified by exposing it to a Savi Signpost 600 Series and reading the Tag ID with a Savi Fixed Reader 600 Series. Upon detecting an LF wake-up trigger, the tag should respond via the UHF channel with the ID of the triggering signpost.
- The tag is designed to beacon at a preset interval and/or to transmit via UHF in response to detecting a “wake-up” trigger via the low-frequency (LF) channel from a Savi Signpost. The tag can also receive commands via LF channel, which is typically done using Savi mobile devices such as the Savi Mobile Reader SMR-650.
- The tag has UHF transmission capability only, and therefore can only receive commands via the LF channel.