

# User's Guide

**Savi ST-920-CL GPS Tracking Sensor**



Published January 2017

Part number 805-13336-901

Documentation for Savi ST-920-CL GPS Tracking Tag

Copyright © 2017 Savi Technology, Inc. All rights reserved. Unpublished - rights reserved under the Copyright Laws of the United States.

Information in this manual is subject to change without notice and does not represent a commitment from the vendor. Savi Technology

Savi Technology

3601 Eisenhower Avenue, Suite 280

Alexandria, VA 22304 Phone: 1-650-316-4700

Facsimile: 1-650-316-4750

[www.savi.com](http://www.savi.com)

# Savi ST-920-CL Tracking Tag Description

The Savi ST-920-CL GPS Tracking tag is a GPS based tracking device that communicates to the Savi network via cellular connectivity. The device is used for tracking of shipments and cargo containers worldwide.

Front View



Back View



Top View



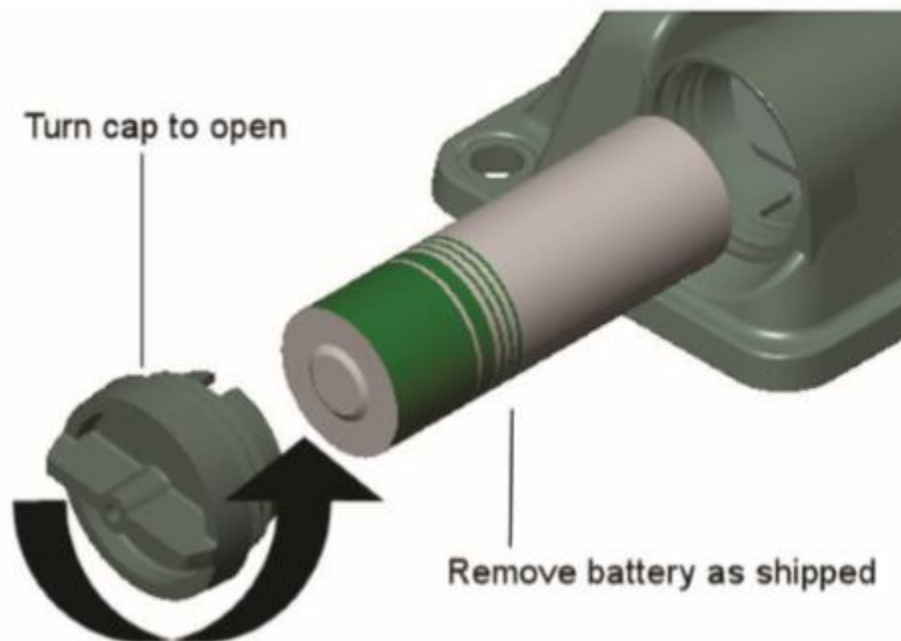
## Features

- GPS Tracking Capability
- 2G Cellular Network Reporting
- OTA Configuration
- OTA Firmware Upgradeable
- 30 Day at Hour Reporting intervals
- FCC, CE, RoHS certified

## Activating the Tag

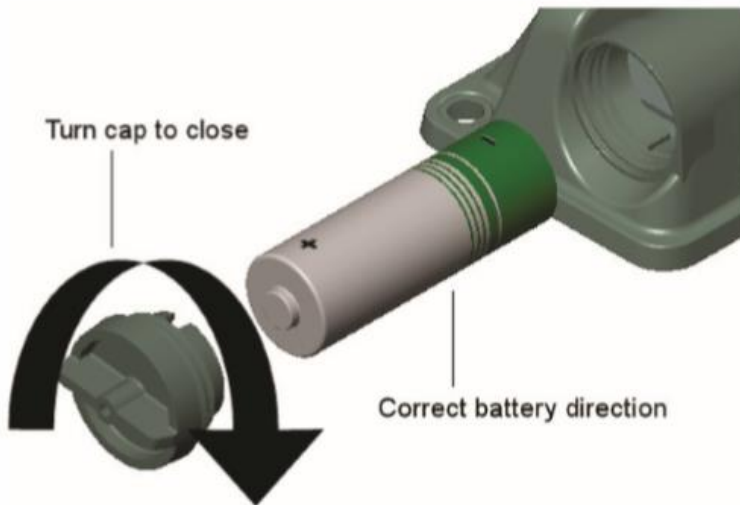
The tag is shipped with the battery installed backwards and in sleep mode. You must remove and re-insert the battery to activate the tag.

1. Remove the battery cap.



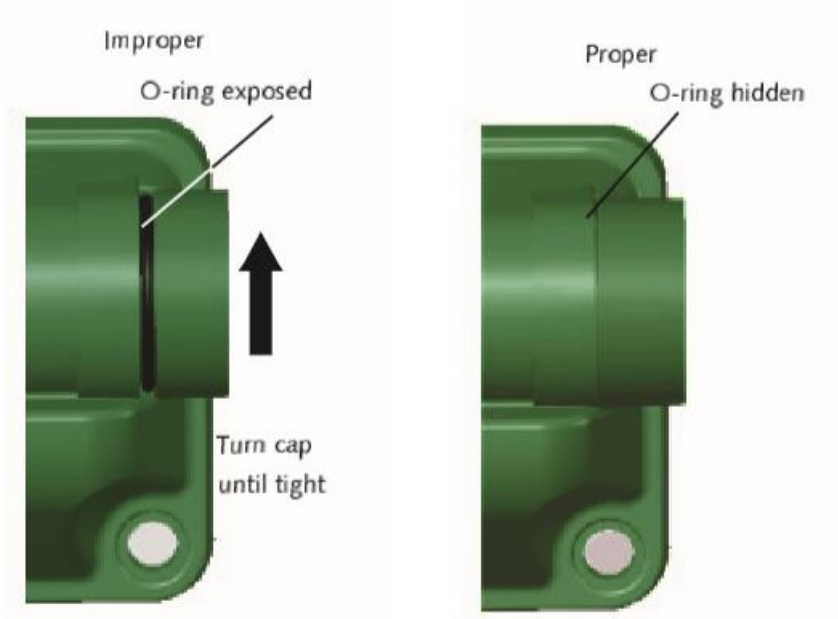
2. Remove the battery

Wait a few seconds and then reinsert the battery, matching the negative (-) and positive (+) terminals to the symbols shown on the tag housing. The tag will not work if the battery is installed in the wrong direction (reversed).



Whenever a charged battery is inserted into a tag, the LED on the top surface will flash several times letting you know that its operation has begun.

3. Replace the battery cap on the tag. Continue tightening the cap until it is secure.



If the O-ring is not properly compressed by the cap, water leakage and damage may occur.

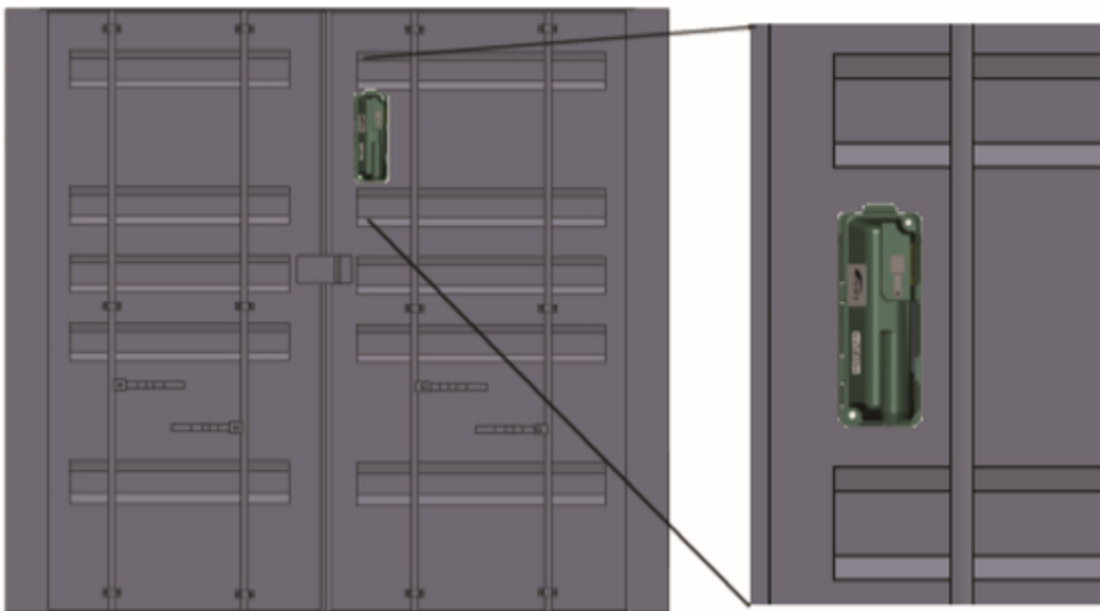
Note: When the tag is not in use, disable the tag by removing, reversing and re-inserting the battery.

## Placing the Tag for Best Performance

Savi Technology recommends that you mount the tag on a flat surface, with the tag aligned vertically. For best performance, place the tag as high as possible, safe from impact, and away from obstructions on the asset.

Mount the tag by adhering using the supplied adhesive tape or accessory mounting bracket. Best locations are on the exterior of a container.

The figure below shows a tag mounted on an ISO container to the performance guidelines.



Note: Make sure you clean the surface of the container or other asset before attaching the tag.

# Contacting Savi Global Support

For additional product information, contact Savi Global Support Services.

- Go to [www.savi.com](http://www.savi.com)
- Send an email to [help@savi.com](mailto:help@savi.com)
- Call 1-888-99497284 (North America)

When contacting Savi Global Support Services have the following information available:

- Contact information (your company name, your name, email and phone number)
- Problem description
- Product name/model
- Serial or ID number

## Specifications

Model Number: ST-920-CL

Cellular: Global 2G

GPS: 22 Satellites, Global Coverage

Power: 3.7V Lithium Ion Ploymer Battery, 1200maHr

Environmental: Temperature -20°C to +70°C Operational, -40°C to +85°C Storage



### **FCC Compliance Statement**

This device complies with part 15 of the FCC rules. Operation is subject to the following two conditions: (1) This device may not cause harmful interference, and (2) this device must accept any interference received, including interference that may cause undesired operation.

### **FCC Interference Statement**

This equipment has been tested and found to comply with the limits for a Class B digital device, pursuant to part 15 of the FCC Rules. These limits are designed to provide reasonable protection against harmful interference in a residential installation. This equipment generates, uses and can radiate radio frequency energy and, if not installed and used in accordance with the instructions, may cause harmful interference to radio communications. However, there is no guarantee that interference will not occur in a particular installation. If this equipment does cause harmful interference to radio or television reception, which can be determined by turning the equipment off and on, the user is encouraged to correct the interference by one of the following measures:

- Reorient or relocate the receiving antenna.
- Increase the separation between the equipment and receiver.
- Connect the equipment into an outlet on a circuit different from which the receiver is connected.
- Consult the dealer or an experienced radio/TV technician for help.

### **FCC Caution**

Any changes or modifications not expressly approved by the party responsible for compliance could void the user's authority to operate this equipment. This transmitter must not be co-located or operating in conjunction with any other antenna or transmitter.

### **FCC Radiation Exposure Statement**

This equipment complies with FCC radiation exposure limits set forth for an uncontrolled environment. This equipment should be installed and operated with minimum distance 30 cm between the radiator and your body. This transmitter must not be co-located or operating in conjunction with any other antenna or transmitter.