


PORT 3.1



User and maintenance Manual v.1.0

<p>Schindler Elevators Ltd. NT-NB via della Pace 22 CH-6600 Locarno www.schindler.com</p>	<p>PORT 3.1 <i>Basic user and maintenance Manual</i></p>	 <p>Schindler</p>
--	---	---

Safety Instructions

Always read the safety instructions carefully

- ⌚ Keep this User's Manual for future reference
- ⌚ Keep this equipment away from humidity
- ⌚ If any of the following situation arises, get the equipment checked by a service technician:
 - The equipment has been exposed to moisture.
 - The equipment has been dropped and damaged.
 - The equipment has obvious sign of breakage.
 - The equipment has not been working well or you cannot get it work according to User's Manual.

Copyright Statement

No part of this publication may be reproduced in any form by any means without the prior written permission. Other trademarks or brand names mentioned herein are trademarks or registered trademarks of their respective companies.


Disclaimer

Information in this document is subject to change without notice. The manufacturer does not make any representations or warranties (implied or otherwise) regarding the accuracy and completeness of this document and shall in no event be liable for any loss of profit or any commercial damage, including but not limited to special, incidental, consequential, or other damage.

Maintenance and troubleshooting


Software update and troubleshooting has to be executed only by Schindler qualified operators.

No manipulation of the Terminal are allowed by no qualified Schindler operator.

Schindler Elevators Ltd. NT-NB via della Pace 22 CH-6600 Locarno www.schindler.com	PORT 3.1 <i>Basic user and maintenace Manual</i>	 Schindler
--	---	--

Index:

1	Introduction	4
1.1	Application	4
1.2	Features.....	4
1.3	Functionalities.....	4
1.4	Package contents.....	4
2	Installation and cabling	5
2.1	Cabling:	8
3	Characteristics:.....	9
3.1	Port 3.1 characteristics:.....	9
4	Power Supply, Communication connection:	9
5	Operating conditions:.....	9
6	Mechanics and construction:.....	10
7	Regulatory Compliance	11
7.1	EMC and safety compliance.....	11
7.2	CE	11
	European mark according to UE directives, Expert Opinion issued by:	11
	Italian Institute IMQ SpA.....	11
7.3	CSA	11
7.4	FCC	12
7.5	WEEE Information	12
7.6	RoHS Information	12
8	Support and trouble shooting.....	13

Schindler Elevators Ltd. NT-NB via della Pace 22 CH-6600 Locarno www.schindler.com	PORT 3.1 <i>Basic user and maintenance Manual</i>	 Schindler
--	---	---

1 Introduction

This document is a general description of the PORT device; type PORT 3.1.

(**PORT**: **P**ersonal **O**ccupant **R**equirement **T**erminal)

The version called PORT 3.2 differs from PORT 3.1 only by the absence of keypad.

1.1 Application

When you are committed to providing continuous service to a building's occupants as they go about their business, it is essential to have a consistent method of communicating with them. The extraordinary new PORT system can provide a whole range of command and communication functions from a wide variety of locations. Functions that utilize a standard hardware design which is as reliable as it is elegant. PORT 3.1 represents one such interface device with a specific application to allow entry.

1.2 Features

The PORT 3.1 features an elegant combination of card reader, keypad and LED indication which may be used to control access.

The version called PORT 3.2 differs from PORT 3.1 only by the absence of keypad.

1.3 Functionalities

The PORT 3.1 device is used to control access through a door system utilizing either a proximity card, a pre-programmed pin code or a combination of both.

The system is used to get access to the building. Any kind of Building can be considered for example Office, Hotel or Apartment.

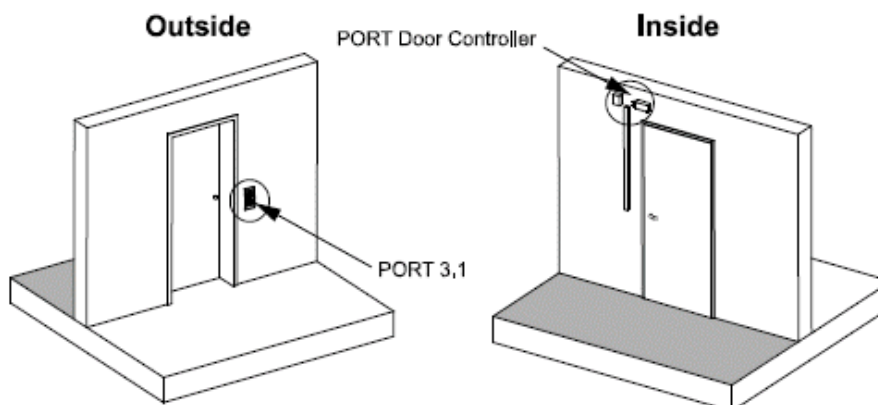
PORT 3.1 is a fully integrated component of The PORT Technology.

1.4 Package contents

- 1 x PORT 3.1 Card Reader Terminal
- 1 x Damping Pad
- 1 x Signal + Supply cable
- 1 x Wall mounted fastening material
- 1 x Small user and maintenance manual (this manual)
- 1 x Lock Tool (partly)

2 Installation and cabling

1.1 Installed PORT 3.1



Supply: ex. PORT Door Controller
 All dimensions in mm (inches)

1.2 Order Numbers PORT 3.1

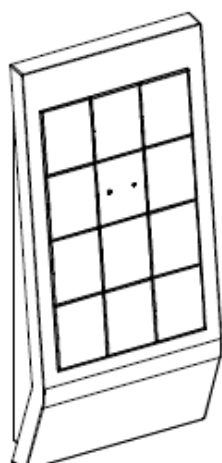
Ident. No	Color
59902201	On commission
59902202	Black matt
59902203	White glossy
59902204	Silver

1.3 Related Document

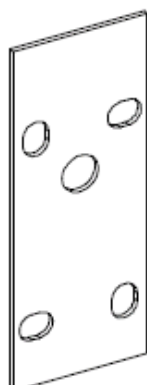
Number	Description
J 41900375	Installation Instruction - PORT Door Controller

1.4 Scope of Supply

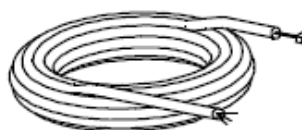
PORT 3.1



Damping Pad

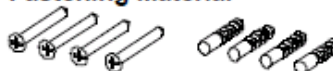


Signal + Supply Cable



Ident. No. 59900374

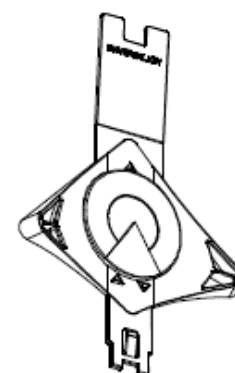
Fastening Material



Ø4 x 25 mm

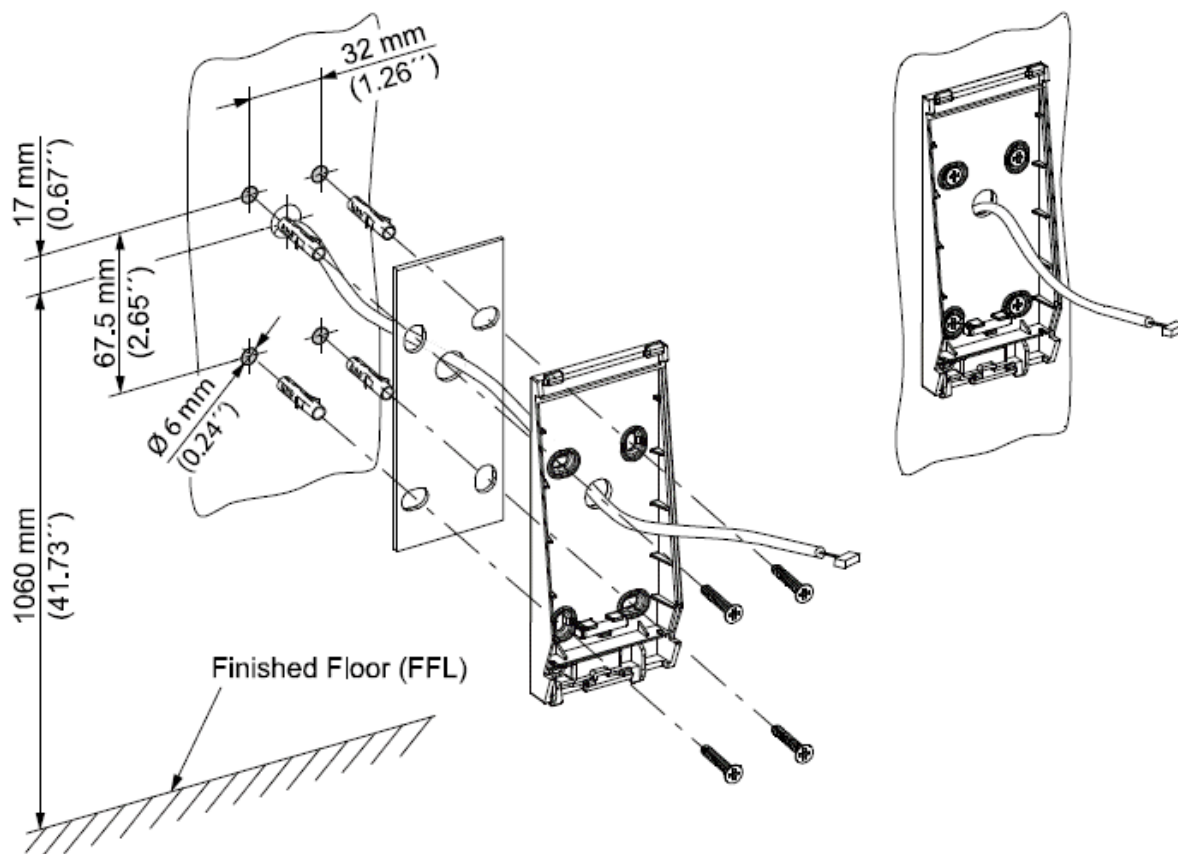
Ø6 x 30 mm

Lock Tool (partly)

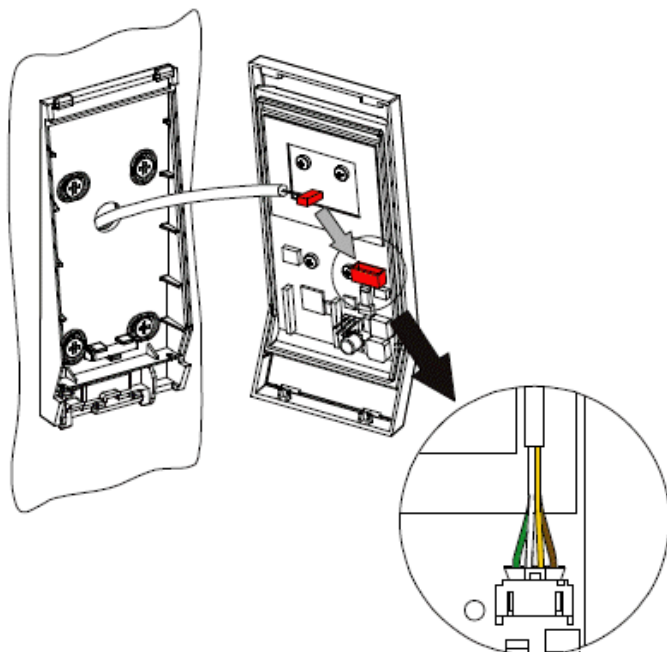


Ident. No. 59900859

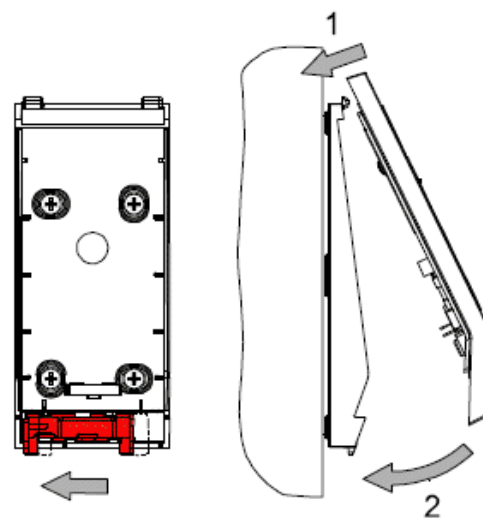
2 Installation Backpart



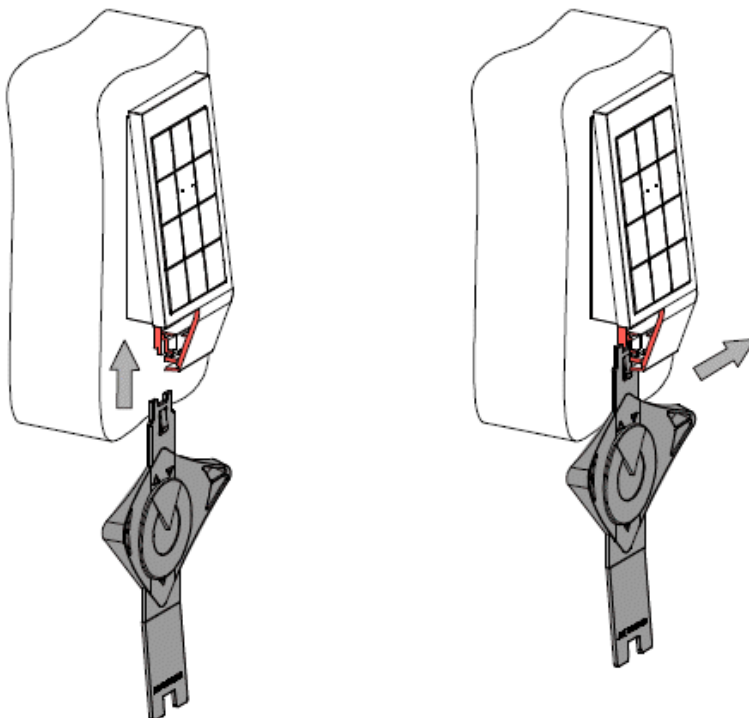
3 Connect the Cable



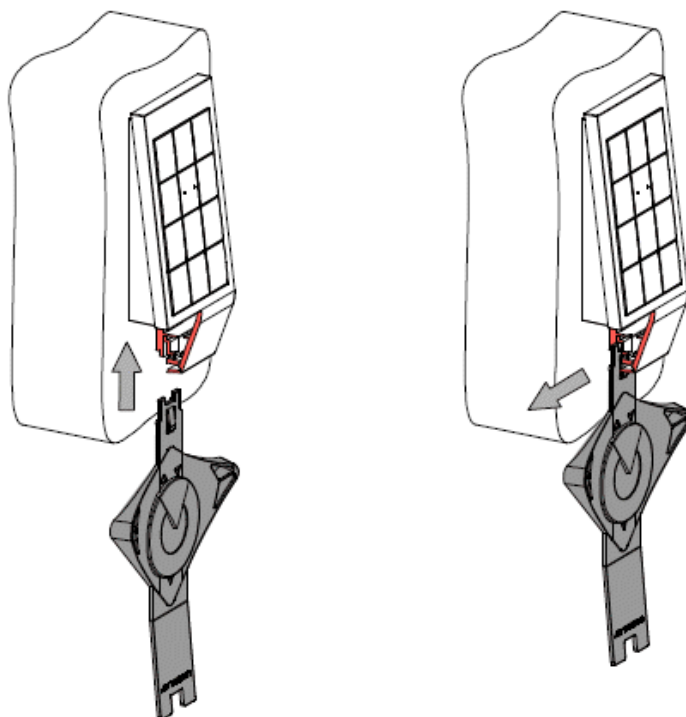
4 Place Frontpart to Backpart



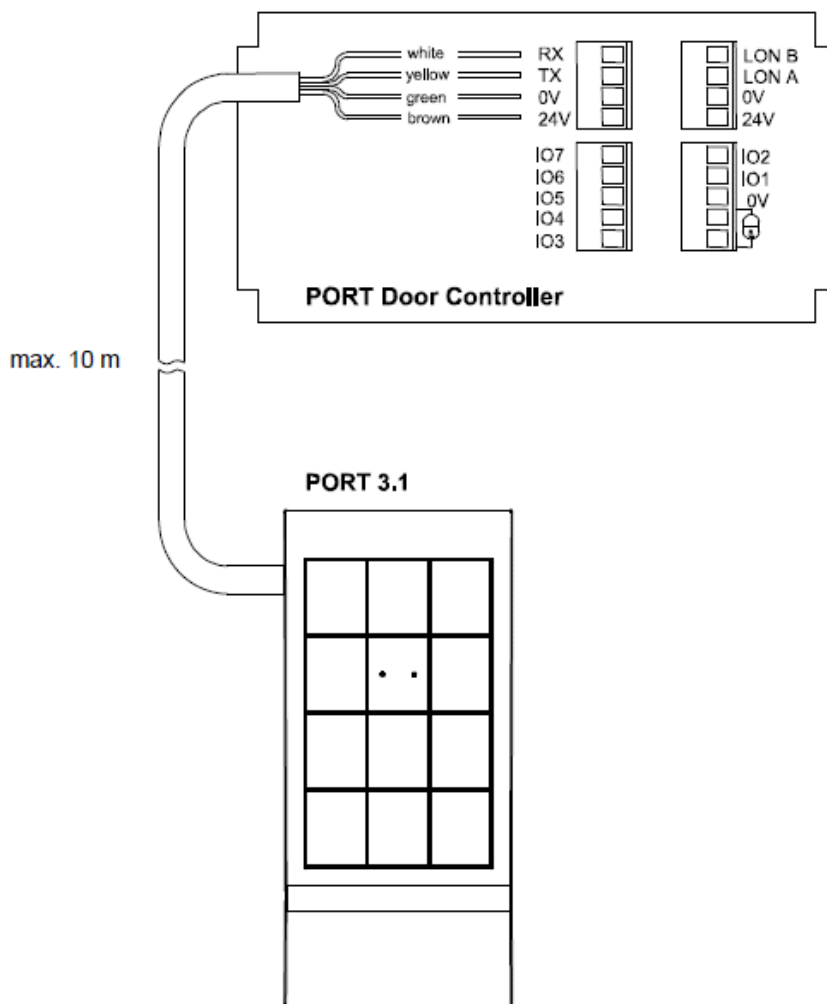
5 Lock the Frontpart



6 Unlock the Frontpart




7 Wiring PORT Door Controller



2.1 Cabling:


Standard Cable length 10 m.

Note: The AUXILIARY 24VDC input should not be used. If used a cable of MAXIMUM 3 m length is allowed.

Schindler Elevators Ltd. NT-NB via della Pace 22 CH-6600 Locarno www.schindler.com	PORT 3.1 <i>Basic user and maintenance Manual</i>	 Schindler
--	--	---

3 Characteristics:

3.1 Port 3.1 characteristics:

Picture	Characteristics	
	Name	PORT 3.1
	Power Supply	24 DVC +/- 10%
	Energy Consumption	max. 2 W
	Ambient LED	RGB Colours
	CPU	ATMEL ATMEGA64 /
	Operating system	-
	Standby modus	yes (if no card present or no button pushed)
	Card Reader Frequency	13,56 MHz (RFID)
	Card Reader Protocols	ISO14443A, ISO14443B-2B, ISO14443B-3B, ISO15693
	Standard Card Types	Mifare Classic, Mifare Ultra Light, Mifare 1K, Mifare 4K, Mifare DESFire (all other cards have to be pre-qualified by our test service center before use!)
	Beeper	confirmation/alarm
	Network	Serial UART connection

4 Power Supply, Communication connection:

Power supply	Power supply Input	Communication ETH
24 VDC +/- 10% < 2 W	connector 24VDC IN Pin1 + Pin 2, Pin 3 -	connector ETH-A connector ETH-B

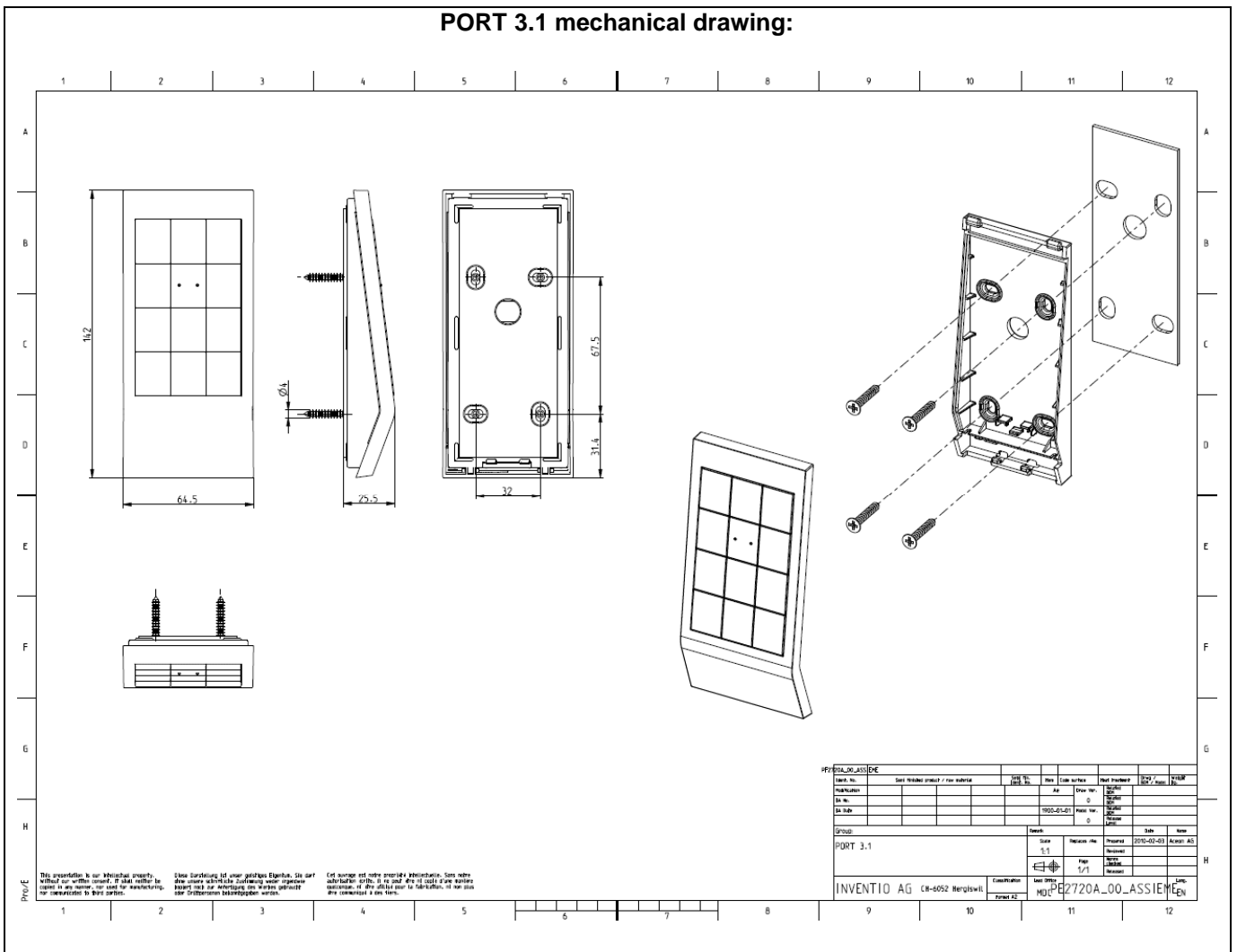
5 Operating conditions:


Humidity:	max 90 %, protection rating IP53
Operating Temperature	-10 to 60°C (14 to 140 °F)
Storage temperature	-40 – 85 °C

Damage danger: Do not exceed these limits. Operating failure could occur!

6 Mechanics and construction:

PORT 3.1 mechanical drawing:



Schindler Elevators Ltd. NT-NB via della Pace 22 CH-6600 Locarno www.schindler.com	PORT 3.1 <i>Basic user and maintenance Manual</i>	 Schindler
--	--	--

7 Regulatory Compliance

7.1 EMC and safety compliance

APPLICABLE DOCUMENTS

EN 301 489-3 V 1.4.1 (2002)	"Electromagnetic Compatibility and Radium spectrum Matters (ERM); ElectroMagnetic Compatibility (EMC) standard for radio equipment and services; Part 3: Specific condition for Short-Range devices (SRD) operating on frequencies between 9kHz and 40 GHz".
EN 301 489-1 V 1.8.1 (2008)	"Electromagnetic Compatibility and Radium spectrum Matters (ERM); ElectroMagnetic Compatibility (EMC) standard for radio equipment and services; Part 1: Common technical requirements".

This equipment has been tested and found to comply with the above rules.

Important! Changes or modifications not expressly approved by the manufacturer responsible for compliance could void the user's authority to operate the equipment. Use an approved phone set.

7.2 CE



**European mark according to UE directives, Expert Opinion issued by:
 Italian Institute IMQ SpA**


A valid CE Marking affixed to a product indicates that it complies with the relevant European 'New Approach' product safety Directives.

7.3 CSA



**Safety mark according to United States and Canadian standards issued by
 CSA International**

CSA can test and certify products you are selling at home or exporting to the U.S.A. and Canada, eliminating the need for duplicate testing - saving you time and money. We test products to Canadian and U.S. standards and issue the CSA Mark for qualified products. CSA International can also test products to European and other national standards.

Schindler Elevators Ltd. NT-NB via della Pace 22 CH-6600 Locarno www.schindler.com	PORT 3.1 <i>Basic user and maintenance Manual</i>	 Schindler
--	---	---

7.4 FCC

Label printed on product, refer to FCC Grantee Code:

FCC ID: XFIORT312VER1

This device complies with part 15 of the FCC Rules. Operation is subject to the following two conditions: (1) This device may not cause harmful interference, and (2) this device must accept any interference received, including interference that may cause undesired operation. This equipment has been tested and found to comply with the limits for a Class B digital device, pursuant to part 15 of the FCC rules. These limits are designed to provide reasonable protection against harmful interference in a residential installation. This equipment generates, uses and can radiate radio frequency energy and, if not installed and used in accordance with the instructions, may cause harmful interference to radio communications. Changes or modifications not expressly approved by the party responsible for compliance could void the user's authority to operate the equipment.

7.5 WEEE Information


For EU (European Union) member users: According to the WEEE (Waste electrical and electronic equipment) Directive, do not dispose of this product as household waste or commercial waste. Waste electrical and electronic equipment should be appropriately collected and recycled as required by practices established for your country. For information on recycling of this product, please contact your local authorities, your household waste disposal service or the shop where you purchased the product.



7.6 RoHS Information

RoHS

RoHS, also known as Lead-Free, stands for Restriction of Hazardous Substances. RoHS Directive 2002/95/EC restricts the use of six hazardous materials found in electrical and electronic products. All applicable products in the EU market after July 1, 2006 must pass RoHS compliance. RoHS impacts the entire electronics industry.

Schindler Elevators Ltd. NT-NB via della Pace 22 CH-6600 Locarno www.schindler.com	PORT 3.1 <i>Basic user and maintenace Manual</i>	 Schindler
--	--	---

8 Support and trouble shooting

Hotline Locarno:

Schindler Elevators Ltd
via della Pace 22
CH-6600 Locarno

email: hotline_locarno@ch.schindler.com

Tel: +4191 756 97 85

FAX: +4191 756 97 54

Compliance testing and certification of the product have been carried out and coordinated by TecnoLab del Lago Maggiore Srl, located in Verbania (ITALY).