



ALLEGION

SCHLAGE

Cylinders and keyways

Quick reference guide



The name you know

For more than 90 years, Schlage® products have been a preferred security solution for schools, hospitals, hotels, condominiums and a host of other commercial buildings. Today, the Schlage name can be found on locksets across the nation and around the world. With such a large installed base and the diverse range of keyway products that support it – it's easy to see why Schlage should be a part of your business too.

Putting control in your hands

Innovation is at the forefront of all Schlage mechanical and electronic security. Our approach creates layered security to specifically address both physical and administrative needs for a full range of security options. You have the flexibility within a single key system to utilize open or restricted keyways interwoven with Primus® XP for the highest levels of keyway security on openings where it counts most.



The height of security

Among the many Schlage options, Primus XP featured products with UL 437 listed physical security improvements let you utilize the highest levels of Schlage key system security. With Primus XP you can control patented side bit milling designs with exclusivity based on geographic area to the level that best suites the facility security needs.

Primus XP exclusivity

Primus® XP Levels					Cylinder and key ordering process		
	Classic	Everest 29™	Exclusivity	Commitment	End user	Dealer	Shipping
Dealer controlled	1		None	None	Order through any authorized Schlage dealer	Standard order	To dealer from distributor
	1+	7	Zip code (first 3 digits)	Formal agreement and initial Primus XP inventory order	Order through originating Primus XP dealer only	Dealer to provide Primus XP I.D. and keyway section name or number	To dealer from factory
	2	8	Time zone				
End user controlled	3U	9U	Random (not exclusive)	Initial purchase of 59 or fewer cylinders	Provide signed face sheet with order specifying keyway to any Primus XP authorized dealer	Dealer to provide end user's Primus XP I.D. and keyway section name or number	End user determined
	3G	9G	Zip code (first 2 digits)	Initial purchase of 60 or more cylinders			
	4Z	9Z	Time zone	Initial purchase of 2,000 or more cylinders or alternative fee based arrangement			
	4N	9N	Nationwide	Initial purchase of 4,000 or more cylinders or alternative fee based arrangement			

Design security to fit your needs

Administrative Security	Schlage Everest 29™					
	Primus® XP geographically exclusive side bit milling options	Schlage Classic	End user exclusive nationwide	4N		9N
			End user exclusive within time zone/country	4Z		9Z
			End user exclusive within zip code	3G		9G
			End user controlled; non-exclusive	3U		9U
			Dealer exclusive within time zone/country	2		8
			Dealer exclusive within zip code	1+		7
		Authorized dealer only; non-exclusive	1			
	End user controlled; non-exclusive					
	Authorized dealer only			Primus XP RESTRICTED Schlage Everest 29 R FSIC and Conventional	Primus XP RESTRICTED Schlage Everest 29 S FSIC and Conventional	UL 437 Option UL listed security improvements available with Primus XP
	No authorization			RESTRICTED Schlage Everest 29 R ¹ FSIC and Conventional ² Schlage Everest 29 T FSIC and Conventional	Schlage Classic FSIC and Conventional	
	OPEN Schlage Classic FSIC and Conventional	OPEN Schlage Everest 29 S FSIC and Conventional		<ul style="list-style-type: none"> 5 levels of side bit milling exclusivity Patent protection to 2024 Independent sidebar and finger pin locking mechanisms 	<ul style="list-style-type: none"> 5 levels of side bit milling exclusivity Patent protection to 2029 Independent sidebar and finger pin locking mechanisms 	<ul style="list-style-type: none"> Hardened steel drill pins Proven pick and drill resistant Withstands extreme physical attack
	Duplicate anywhere	<ul style="list-style-type: none"> Patented design Check pin in cylinder 	<ul style="list-style-type: none"> Requires letter of authorization Patented design Check pin in cylinder 			

Physical Security

- Limited dealer controlled programs available.
- Conventional in the form of SL cylinder that accepts SFIC key.



Conventional, key-in-lever cylinders

Schlage conventional cylinders offer extreme versatility in a modular design. One cylinder is the foundation for any Schlage key-in-lever, rim or mortise cylinder need.

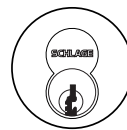
- Solid brass bar stock construction and hardened stainless steel housings
- 9 mortise cylinder cam options
- 13 mortise and rim cylinder face finishes
- 4 plug face finish options



FSIC interchangeable core cylinders

Schlage full size interchangeable cores are based on the industry standard plug diameter of 1/2". They are available for a variety of Schlage key systems.

- 6-pin
- All brass cylinder and housings
- 9 mortise cylinder cam options
- 10 mortise and rim cylinder housing face finishes
- 4 core finish options



SFIC interchangeable core cylinders

Based on the industry standard SFIC plug diameter which is less than 1/2", Schlage cores can be used in place of Best, Falcon and other SFIC cores on competitive locksets.

- 7-pin
- All brass cylinder and housings
- 9 mortise cylinder cam options
- 10 mortise and rim cylinder housing face finishes
- 3 core finish options

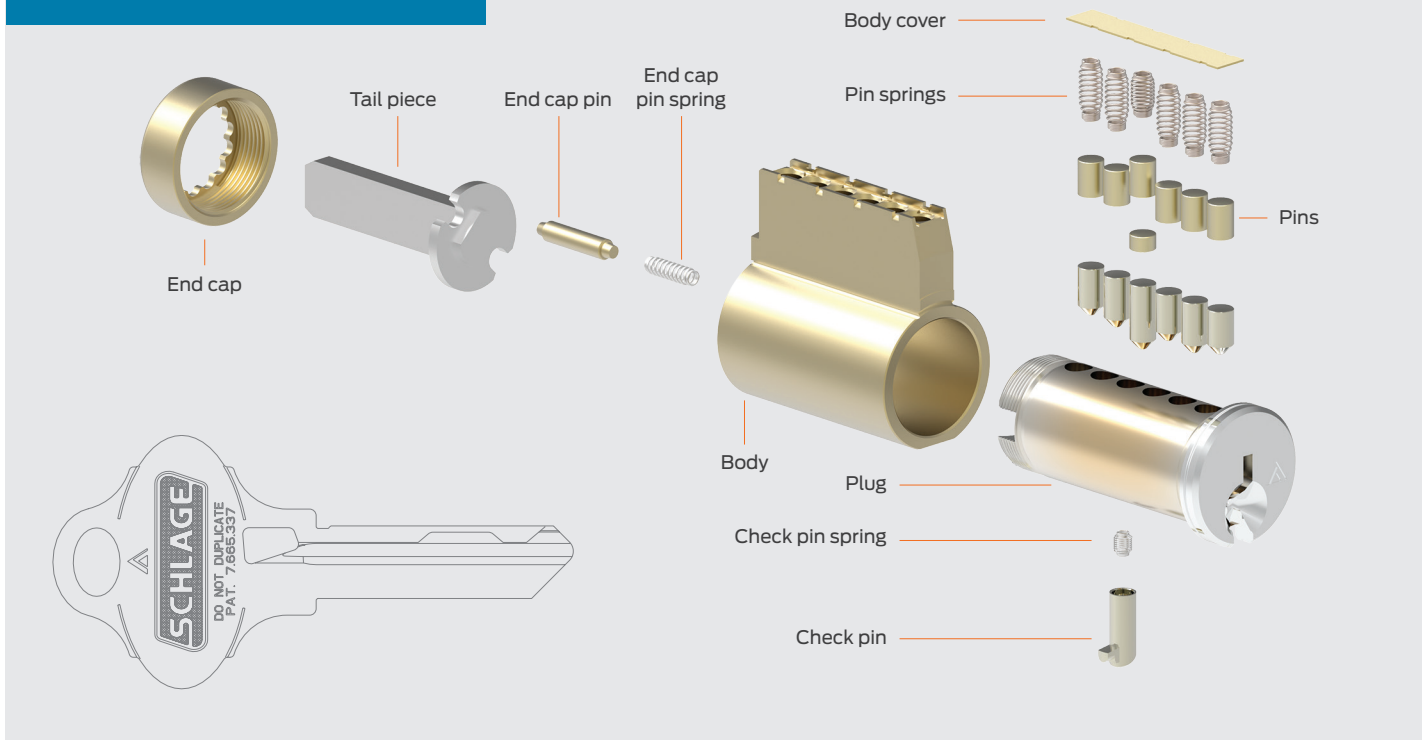


SL cylinders

The SL cylinder is a full size key-in-lever cylinder that accepts an SFIC A2 key system. It allows multiple key systems to be unified as one without replacing installed cylindrical lock hardware.

- 7-pin
- Solid brass bar stock construction and hardened stainless steel housings
- Fits Schlage modular components for use as key-in-lever, rim or mortise cylinder

Patented design



Schlage Everest 29™ keyways

Everest 29 key systems protect against unauthorized duplication two ways. First, key blanks are tightly controlled by Allegion to ensure access for only authorized dealers. Secondly, patent protection deters duplication of the design - an offense subject to federal law. They are available as both open and restricted keyways to give you the level of security you need for every application.

Benefits

- Patent protection to 2029
- Key duplication on standard (basic) key cutting equipment
- Multi-level key hierarchy and cylinders fit a wide variety of locks
- Through-cut technology creates the patented undercut key design
- Added cylinder check pin improves physical security of the lock
- 20% thicker key for greater strength
- Backward compatible to Everest® keyways
- Large installed base of legacy Everest and Everest 29 keyways
- Fits an extensive list of competitor's locks

Available in

Open keyways

- No ordering formalities
- Legacy keyway still available to order

Schlage Everest 29 S

- FSIC and Conventional cylinders
- 6-pin length
- Backward compatible to legacy Everest C
- Supplied as Everest 29 S123 as the default keyway on commercial locks

Restricted keyways

- Letters of authorization are required with available online validation process
- Legacy keyways still available to order

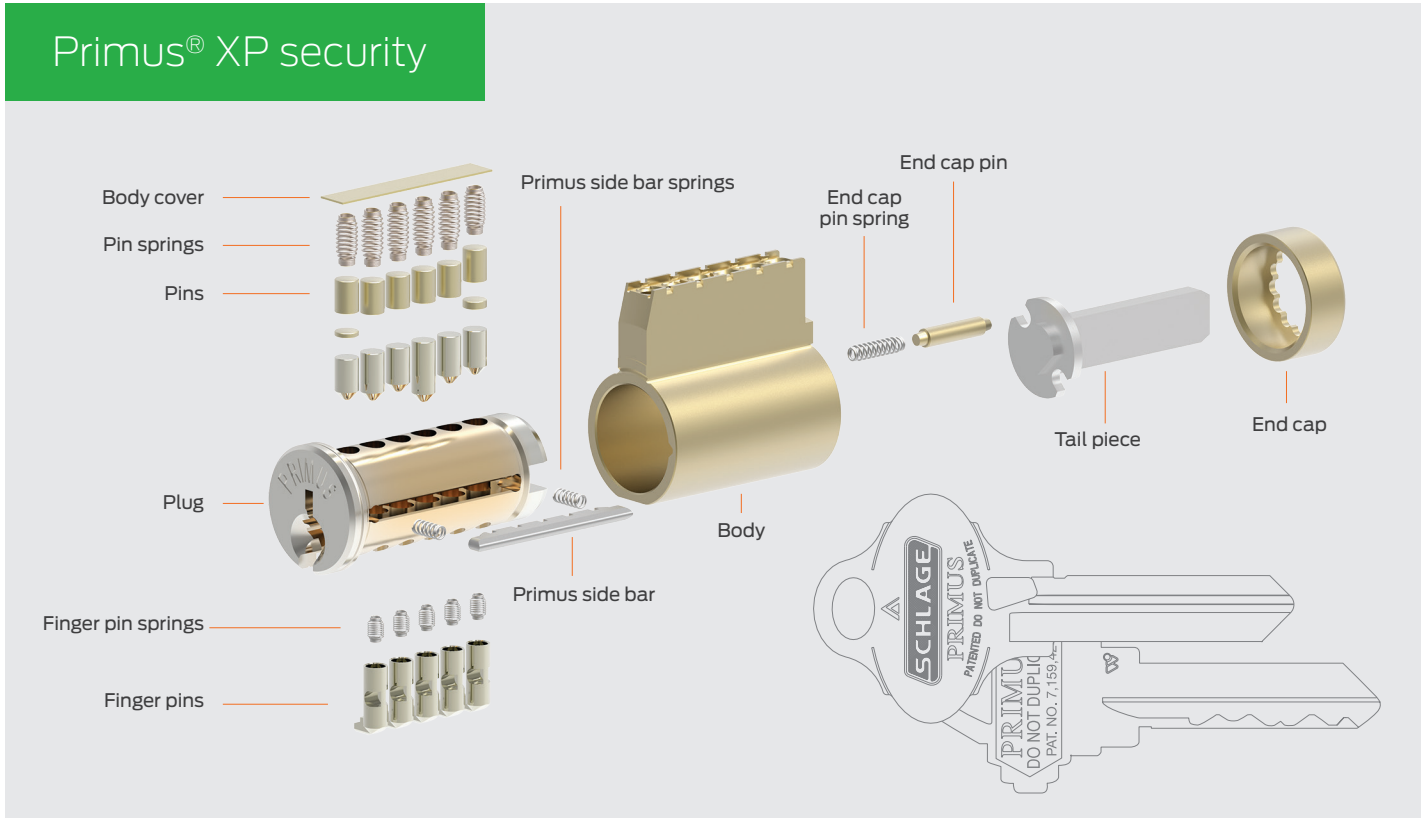
Schlage Everest 29 R

- SFIC and Conventional (SL) cylinders
- 7-pin length
- Backward compatible to Everest B

Schlage Everest 29 T

- FSIC and Conventional cylinders
- 6-pin length
- Backward compatible to Everest D

Primus® XP security



Schlage cylinders with Primus XP features

Critical points of entry and highly-sensitive areas need extra protection. Here, Schlage cylinders with added Primus XP features can be applied to improve levels of Schlage physical security and administrative control. Even Schlage Classic Obverse open keyways gain the same levels of physical security as Everest 29 keyways with Primus XP features added to the cylinder.

Benefits

- Adds patent protection to 2024 for Schlage Classic Obverse keyways
- Unique side bit milling designs can be assigned to dealer or end user with various levels of geographic exclusivity
- No special key duplication equipment; uses Schlage standard pins
- Depending on level of exclusivity, keys are marked with ID number for traceability
- Multi-level key hierarchy and cylinders fit a wide variety of locks
- Independent sidebar and finger pin locking mechanisms increase pick and bump resistance
- Fully compatible to all Everest and Everest 29 keyways
- Fits an extensive list of competitor's locks

Available in

Restricted keyways

Cylinder and key blank ordering process varies depending on level of program.

Schlage Classic Obverse

- FSIC and Conventional cylinders
- 6-pin length

Schlage Everest 29 R

- Conventional SL cylinders
- 7-pin length
- Compatible to any Everest 29 R or legacy Everest B keyway

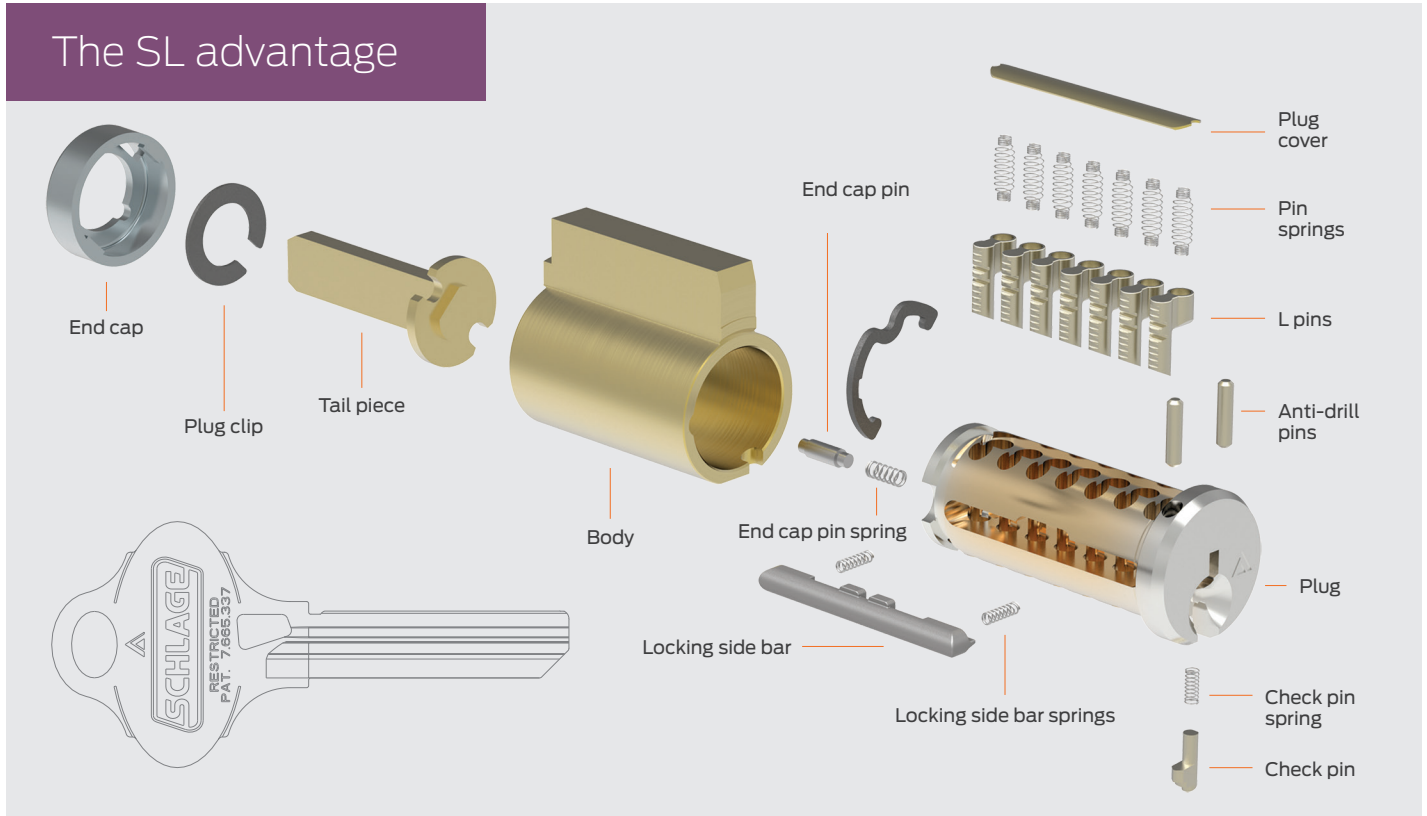
Schlage Everest 29 T

- FSIC and Conventional cylinders
- 6-pin length
- Compatible to any Everest 29 T or legacy Everest D keyway

UL 437 option adds:

- Hardened steel drill pins
- Proven pick and drill resistant
- Withstands extreme physical attack

The SL advantage



Schlage patented Everest 29 SL cylinder

The exclusive SL cylinder creates an opportunity to unify separate key systems on multi-building campuses into one restricted, A2 key system upgradeable to Primus XP security. Wherever you have conventional, key-in-lever cylinders and Small Format Interchangeable Cores (SFIC) on one campus, you can replace the conventional cylinders with new 7-pin SL cylinders and, if needed, upgrade to Schlage the SFIC cores under one key system. Instead of replacing the installed cylindrical locksets, significant savings can be gained by simply swapping cylinders.

Benefits

- Patented L-pin design enables an SFIC Everest 29® key to fit a conventional cylinder
- Enables Primus XP exclusivity and physical security features to be introduced into an SFIC based facility
- Locking side bar mechanism improves pick and bump resistance
- Key duplication on standard (basic) key cutting equipment
- SL cylinders fit all Schlage and Falcon® cylindrical locks
- Backward compatible to Everest B keyway families
- Large installed base of legacy Everest B and Everest 29® R keyways
- Fits an extensive list of competitor's locks

Available in

Restricted keyways

Cylinder and key blank ordering process varies depending on level of program.

Schlage Everest 29 R

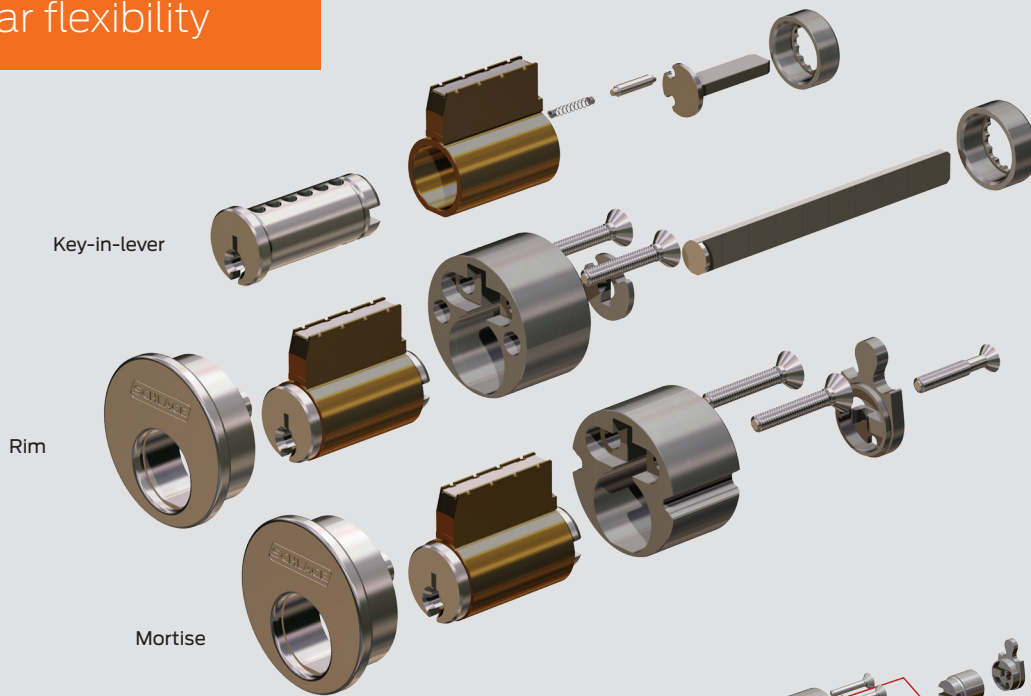
- Conventional cylinder form
- SFIC A2 key system
- 7-pin length
- Compatible to any Everest 29 R or legacy Everest B keyway

The L pin

The patented SL cylinder has a unique L pin design allowing a single, unified Everest 29 R key system to be applied to both SFIC and Schlage conventional cylinder locks.



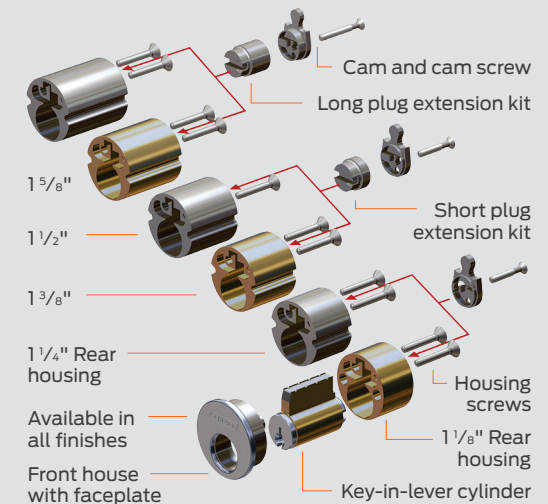
Modular flexibility



Field configurable to fit the need

Schlage conventional cylinders offer extreme versatility in a modular design. One key-in-lever cylinder is the foundation for also creating any Schlage rim or mortise cylinder. You save on inventory costs and gain flexibility on the job.

- All cylinders manufactured after June 2010 are modular design based
- The modular cylinder design can accept any Schlage keyway family
- Solid brass bar stock cylinder construction and hardened stainless steel housings
- Rear mortise cylinder housing sizes range from 1 1/8" to 1 3/4"
- Fits all Schlage locksets and deadbolts
- 13 face finish options, six mortise housing lengths, one rim housing, four plug face finishes, six tailpieces and nine cam options create a thousand potential cylinder configurations



Parts

Modular cylinders use fewer parts because the cylinder and a small number of screws, cams and plug extensions can be universally applied. The major of parts are simply the rear housings in various lengths and finishes.

Finish Options													
Colors	Bright brass	Satin brass	Antique brass	Satin bronze	Oil rubbed bronze	Satin nickel	Matte black	Bright chrome	Satin chrome	Satin chrome	Bright stainless steel	Satin stainless steel	Aged bronze
ANSI/BHMA #	605	606	609	612	613	619	622	625	626	626AM	629	630 / 630AM	643e
Plug faces		■					■		■				■
Mortise and rim faces	■	■	■	■	■	■	■	■	■	■	■	■	■

About Allegion

Allegion (NYSE: ALLE) is a global pioneer in safety and security, with leading brands like CISA®, Interflex®, LCN®, Schlage®, SimonsVoss® and Von Duprin®. Focusing on security around the door and adjacent areas, Allegion produces a range of solutions for homes, businesses, schools and other institutions. Allegion is a \$2 billion company, with products sold in almost 130 countries.

For more, visit www.allegion.com

KRYPTONITE ■ LCN ■  ■ STEELCRAFT ■ VON DUPRIN