



Price Book 70A

Effective July 28, 2008
Residential Version

Effective
July 28, 2008



Table of Contents

| | |
|---|---------------------------|
| General Terms and Conditions for Sales and Service | Terms-2 |
| Standard Schlage Product Terms and Conditions | Terms-4 |
| Freight Weight Chart | Terms-7 |
| Schlage | Terms-7 |
| Portable Security | Terms-9 |
| Product Warranties | Terms-10 |
| Commercial Applications | Terms-10 |
| Residential Applications | Terms-11 |
| Distributor Function and Location Policy | Terms-11 |
| Cylinder Policies | Terms-12 |
| Primus® Sales Policy | Terms-12 |
| Everest® Sales Policy | Terms-13 |
| Everest Small Format Interchangeable | |
| Core Key Control Policies | Terms-14 |
| Restricted Keyway Policy | Terms-14 |
| Construction Core Program Policy | Terms-14 |
| Door Labeling Policy | Terms-15 |
| Master Key Shipment Policy | Terms-15 |
| Hardware Finishes | Terms-16 |
| How To Order | Forms and Examples |

TERMS & CONDITIONS • Complete Locks

INGERSOLL-RAND COMPANY, SECURITY TECHNOLOGIES SECTOR, GENERAL TERMS AND CONDITIONS OF SALE AND SERVICE

1. GENERAL. (a) This Agreement contains the terms and conditions by which Company will quote and sell its Products and Services to Customer. (b) The terms "purchase order" or "order" for the purposes of this Agreement include the term "request for quotation," as appropriate. (c) This Agreement supersedes all *pre-printed* and boiler-plate terms and conditions set forth in any purchase order issued by Customer. (d) No reference herein to Customer's purchase order will in any way *incorporate different or additional terms and conditions* which are hereby objected to. (e) ANY ACCEPTANCE BY COMPANY OF CUSTOMER'S PURCHASE ORDER IS EXPRESSLY CONDITIONED ON THE CUSTOMER'S ASSENT TO AND ACCEPTANCE OF THE TERMS AND CONDITIONS CONTAINED IN THIS AGREEMENT. (f) In the event of a *conflict* between this Agreement and a purchase order issued by Customer, the terms of this Agreement will prevail. In the event of a *conflict* between this Agreement and any specific Product or Service terms and conditions, the specific Product or Service terms and conditions will prevail.

2. SCOPE OF PRODUCTS AND SERVICES AND ORDERS.

(a) **Scope of Products and Services.** The scope of the Products and Services (including, but not limited to location) are (i) attached to this Agreement, (ii) separately furnished by Company to Customer, or (iii) subject to Section 1 herein, contained in an order submitted by Customer. Non-standard finishes and special items may be available. Contact Company for such availability. All Products that come in "kits" cannot be sold as individual pieces. See the specific product terms and conditions for exceptions. (b) **Orders.** All orders submitted by Customer must be in written form acceptable to Company. A minimum net Product or Service order value, excluding freight charges, may be required for each order. Such minimum net Product or Service order value will be (i) attached to this Agreement; (ii) separately identified in the specific Product Price Book; or (iii) separately furnished by Company to Customer. In the event the order value does not meet any required minimum net Product or Service value, Company will, at its sole discretion, either (i) increase the quantity of items in the order to meet the minimum net Product or Service value provided herein; (ii) apply a minimum order charge; or (iii) reject the order. (c) **Receipt of an Order.** Company will acknowledge receipt of each order issued in accordance with this Agreement and will notify Customer whether such order has been accepted or rejected, in whole or in part, by Company. If Company fails to acknowledge receipt of an order, within a reasonable time period, such failure to acknowledge receipt will be deemed a rejection of the entire order. (d)

Changes to Orders. Any changes to orders must be acknowledged by Company in writing. Company reserves the right to deny any changes to orders, which have been previously acknowledged by Company. The time period for making any changes to orders for Products will be (i) attached to this Agreement; (ii) separately identified in the specific Product Price Book; or (iii) separately furnished by Company to Customer. All changes to orders are subject to a change order charge of 25% of the net Product or Service value or \$25.00, whichever is greater, plus the cost of fabrication or raw material that will need to be purchased for the change order. Unless otherwise specified by Company in writing, any changes to orders acknowledged by Company that affect the delivery date will be deemed a new order and will require acknowledgement by Company as provided in this Section 2. (e) **Cancellation of Orders.** All cancelled orders are subject to Company's written acknowledgement to be valid. The time period for order cancellations will be (i) attached to this Agreement; (ii) separately identified in the specific Product Price Book; or (iii) separately furnished by Company to Customer. All cancelled orders acknowledged by Company are subject to a cancellation charge of 25% of the net Product or Service value or \$25.00, whichever is greater, plus the cost of any fabrication or raw materials that have purchased for the order.

3. PRICES AND PAYMENT. (a) **Prices.** The prices specified by Company are subject to change, without notice, to Company's prices in effect at the time of each shipment of Products or performance of Services. Additional charges may be applied for product modification or engineering services. Oral prices specified by Company are null and void. (b) **Invoices.** Company will submit invoices to Customer stating amounts due. (c) **Payment Terms.** Payment terms are 2% cash discount 20 days, net 35 days from date of invoice. Payment will be made in United States dollars. (d) **Credit Terms.** All orders are subject to Company's credit limit and terms of credit required by Company or contained in Company's credit application, which is subject to change by Company at any time either before or after delivery of any part of the order. Company reserves the right to request payment in advance of shipment or any order or to request adequate assurances for Customer's payment of an order and may withhold or stop shipment, without any liability to Company, until Customer submits payment or assurance of payment, as required by Company. (e) **Default.** If Customer is in default in payment or otherwise with respect to any order for Products or Services or any other contract with Company, Company shall have the right, in addition to all other legal remedies and without prejudice to any of its right hereunder, to defer further shipments until such default is corrected and to declare all outstanding bills of Customer to be immediately due and payable. (f) **Taxes.** Any taxes, charges, or duties imposed by any governmental authority on the sale of Products or Services will be paid by Customer, in addition to the selling price specified by Company. (g) **Late Payment Charge.** A late payment charge of 1.5% per month equivalent to 18% per annum will be charged on past due balances owed Company. Provided however, that in the event that applicable governmental law sets a maximum rate for late payment fees which is less than 18% per annum, then the late payment charge assessed will be set at the maximum rate permitted by law.

4. INSPECTION, DELIVERY, SHIPPING, FREIGHT CHARGES, CLAIMS, AND PACKING. (a) **Inspection.** Inspection of Products and Services will be done by Customer immediately after receipt of Products or completion of Services. Inspection of Products or Services by Customer at Company's facility is not permitted. (b) **Delivery.** Product delivery schedules are based upon current production capacities, material or

component availability, and inventory, and may be changed by Company as conditions require. Service delivery schedules are based upon prompt receipt of, and prompt access to, Customer's equipment and all information necessary to complete the Services. In no event will Product or Service delivery dates be construed as falling within the meaning of "time is of the essence." Partial delivery shall be accepted by Customer and paid for at the price and on the terms stated herein. Any partial delivery of Products or Services, shall constitute a separate sale and payment shall be separately made when due. If any part of the Products or Services are not delivered by Company in accordance with Customer's order, this Agreement shall not be affected thereby.

(c) **Shipping.** Unless otherwise specified by Company, (i) where the Customer is located in the United States, all Products will be sold "Uniform Commercial Code, F.O.B. Origin, Company's factory"; and (ii) where the Customer is located outside of the United States, all Products will be sold "Incoterms 2000, Ex-works, Company's factory." In either instance, title and risk of loss will pass to Customer upon delivery to the carrier at Company's factory. **Provided however,** a security interest will remain in the Products, regardless of mode of attachment to realty or other property, until full payment has been made therefore, and Customer agrees, upon request, to do all things and acts necessary to protect Company's interest by adequately insuring the Products against loss from damage from any cause and to have Company named as an additional insured. Copies of all Certificates of Insurance will be provided to Company upon request. Customer will also assist Company in providing all necessary documents or signatures required to file any documents to perfect Company's interest in such Products. (d) **Freight Charges.** All freight charges will be (i) attached to this Agreement; (ii) separately identified in the specific Product Price Book; or (iii) separately furnished by Company to Customer. (e) **Claims.** All claims for loss or damage to Products while in the care, custody, and/or control of a carrier will be the responsibility of Customer, who will submit any claims. (f) **Packing.** Company will pack, mark, and ship the Products according to its standard procedures for shipment, unless the parties agree, in writing, that Company will comply with any special instructions provided by Customer. Compliance with special instructions may result in an increased price.

5. CLAIMS. (a) All claims must be submitted in writing to Company as follows: (i) All claims for prices must be submitted within thirty (30) days from the date of invoice. (ii) All claims for Product quantity or incorrect orders must be submitted within ten (10) days from the date of delivery. (iii) All claims for damage to Products (while in the care, custody, and control of Company) must be submitted within thirty (30) days from the date of invoice.

6. PRODUCT CHANGES. Company reserves the right to change without notice the design of, or the process of manufacturing, the Products covered by this Agreement; provided that the foregoing will not be construed as relieving Company from its obligation to deliver Products which conform to the specifications which Company may have furnished to Customer.

7. PRODUCT RETURNS. Products may not be returned unless Customer receives written authorization from Company. If returns are authorized by Company, a return merchandise authorization ("RMA") number must be provided by Company. Products identified under such RMA must be returned to Company within 90 days of issuance of the RMA. Such RMA number and any accompanying RMA documents, the original invoice number, and a written explanation for the return must be included with the returned Products in order for Company to inspect and approve a credit for the return. Such credit will only be issued if, after Company's receipt and inspection of Products, Company approves the return. Only those Products which have been in Customer's inventory no more than 180 days from the date of shipment by Company and which are current, standard, non-obsolete, non-specially manufactured, unused, in their original condition as at the time of sale by Company to Customer, and are in their original packaging may be considered by Company for return. In the event Company approves a return, a credit will be made to Customer's account less freight, and a handling and reprocessing charge of 35% of the net material value on the original invoice. Products requiring reconditioning to return the Products to a saleable condition may be credited to Customer's account less freight and a handling and reprocessing charge of 50% of the net material value and less 2% for the cash discount allowance on the original invoice.

8. TECHNICAL INFORMATION AND ADVICE. (a) All designs, data, and specifications provided by Company are proprietary and will not be disclosed or reused by Customer without the prior written consent of Company. (b) Company assumes no obligation or liability for any advice given by Company, the results obtained, or damages incurred, and all such advice is given and accepted at Customer's risk.

9. LIMITED WARRANTY.

(a) Company's Standard Limited Warranty(ies) relating to *Products or Services* are applicable to this Agreement. The limited warranty(ies) are (i) attached to this Agreement; (ii) separately identified in the specific Product Price Book; or (iii) separately furnished by Company to Customer.

(b)(i) In the event that certain Product warranties are not attached to this Agreement or separately furnished, Company warrants only to Customer that Products will be free from defects in material and workmanship for a period of 12 months from the date of shipment of the Products. Company's sole obligation under this warranty is limited to repairing or replacing, at its option, the defective Products. (ii) The provisions of this limited Product warranty do not apply to Products: (A) used for the purposes for which they are not designed or intended; (B) which have been repaired or altered without Company's prior written consent; (C) which have been subjected to misuse, abuse, negligence, or accident; (D) which have been improperly stored, installed, maintained, or operated; (E) which have been used in violation of written instructions provided by Company to Customer; (F) which have subjected to improper temperature, humidity, or other environmental conditions; (G) which have been affected by normal wear and tear; or (H) which, based on Company's examination, do not disclose to Company's satisfaction nonconformance to the warranty.

Complete Locks • TERMS & CONDITIONS

(c)(i) In the event that certain Service warranties are not attached to this Agreement or separately furnished, Company warrants only to Customer that the Services will be free from defects in material and workmanship for a period of 6 months from the date of completion of the particular items of Service. Company's sole obligation under this warranty is limited to repairing or reperformance, at its option, of the Service; provided however, if repair or reperformance is either impractical or impossible, the Company will refund to Customer that portion of the price paid to the Company for the defective item of Service. This warranty only applies if the company is given written notice of the defect or nonconformance by the Customer within 30 days of discovery. (ii) The provisions of this limited Service warranty does not apply to any defects or issues with the design or performance of equipment or products not manufactured by Company, nor does it apply to any code compliance or permit requirements for the assembly, installation, erection, or construction of any goods.

(d) NO OTHER WARRANTIES, EXPRESS OR IMPLIED, ARE MADE WITH RESPECT TO THE PRODUCTS OR SERVICES INCLUDING, BUT NOT LIMITED TO, ANY IMPLIED WARRANTY OF MERCHANTABILITY OR FITNESS FOR A PARTICULAR PURPOSE.

(e) The following costs and expenses are not covered by the provisions of these limited warranties: (i) labor costs for the removal and reinstallation of Products or other manufacturer's products; (ii) shipping and freight expenses required to return Products to Company; (iii) normal maintenance; and (iv) economic losses. In addition, the provisions of this warranty are not applicable to anything other than defects in Company's material (products only) or workmanship.

10. CUSTOMER'S REMEDIES, THE CUSTOMER'S EXCLUSIVE AND SOLE REMEDY ON ACCOUNT OF, OR IN RESPECT OF, THE FURNISHING OF PRODUCTS OR SERVICES THAT DO NOT CONFORM TO THIS AGREEMENT WILL BE TO (A) SECURE REPAIR OR REPLACEMENT OF THE PRODUCTS; OR (B) SECURE REPAIR OR REPERFORMANCE OF THE SERVICES OR TO OBTAIN A REFUND OF THE PRICE PAID FOR THE DEFECTIVE SERVICE, ALL AT COMPANY'S OPTION. IN NO EVENT WILL THE COMPANY'S MAXIMUM LIABILITY EXCEED THE SELLING PRICE FOR THE PRODUCTS OR ITEM OF SERVICE.

11. LIMITATION OF LIABILITY. IN NO EVENT WILL COMPANY BE LIABLE FOR INCIDENTAL, CONSEQUENTIAL, INDIRECT, SPECIAL, OR PUNITIVE DAMAGES INCLUDING, BUT NOT LIMITED TO, LOSS OF USE OF THE PRODUCTS, SERVICE INTERRUPTION, LOSS OF PROFITS, LOSS OF REVENUE, INTEREST, LOST GOODWILL, WORK STOPPAGE, IMPAIRMENT OF OTHER GOODS, LOSS BY REASON OF SHUTDOWN OR NON-OPERATION, INCREASED EXPENSES OF OPERATION, OR CLAIMS OF CUSTOMER'S CUSTOMERS, WHETHER BASED ON CONTRACT, WARRANTY, TORT (INCLUDING, BUT NOT LIMITED TO, STRICT LIABILITY OR NEGLIGENCE), PATENT INFRINGEMENT, OR OTHERWISE, EVEN IF ADVISED OF THE POSSIBILITY OF SUCH DAMAGES.

12. STATUTE OF LIMITATIONS. NO ACTION ARISING OUT OF ANY CLAIMED BREACH OF THIS AGREEMENT BY COMPANY MAY BE BROUGHT BY CUSTOMER MORE THAN ONE (1) YEAR AFTER THE CAUSE OF ACTION HAS ARISEN.

13. CONSUMER PRODUCTS. With respect to "consumer products" as defined under the Magnuson-Moss Warranty Act ("MMWA"), the following statements are made. (a) Some states do not allow limitations on how long an implied warranty lasts, so the above limitation may not apply to you. **IF ANY IMPLIED WARRANTY IS PROVIDED UNDER THE MMWA, IT IS LIMITED TO THE DURATION OF THE WARRANTY PROVIDED IN SECTION 9 ABOVE.** (b) Some states do not allow the exclusion or limitation of incidental or consequential damages, so the above limitation or exclusion may not apply to you. (c) This warranty gives you specific legal rights and you may also have other rights which vary from state to state.

14. FORCE MAJEURE. Any delay or failure of Company to perform its obligations hereunder will be excused to the extent that it is caused by an event or occurrence beyond its control such as, by way of example and not by way of limitation, acts of God, actions by any governmental authority (whether valid or invalid), governmental laws and regulations not presently in effect, fires, floods, windstorms, explosions, riots, natural disasters, wars, sabotage, accidents, labor problems (including, but not limited to, lockouts, strikes, and slowdowns) at Company's facility, its source plant or their suppliers, inability to obtain power, material, labor equipment, or transportation, or court injunction or order. The delivery date will be extended for a time equal to that of the delay and the schedule for Company's performance will be deemed adjusted in the individual order(s) to that effect.

15. ENTIRE AGREEMENT AND AMENDMENT. This Agreement, together with any attachments or supplements specifically referenced in this Agreement, constitutes the entire agreement between the parties hereto and supersedes all previous communications, representations, or agreements, either oral or written, between the parties hereto with respect to the subject matter hereof. No agreement or understanding varying or expanding this Agreement will be binding upon either party hereto unless it is in writing and signed by a duly authorized representative thereof.

16. TERMINATION. (a) This Agreement may be terminated by either party by giving 30 days' written notice to the other party in the event of failure by such other party to fulfill any of its obligations hereunder. However, if during the period of such notice, such other party remedies such failure, this Agreement will continue with the same force and effect as if such notice had not been given. (b) This Agreement may be terminated upon the written mutual consent of the parties. (c) Either party may immediately terminate this Agreement by giving written notice to the other party in the event of the

happening of any of the following or any other comparable event: (i) insolvency of the other party; (ii) filing of a petition in bankruptcy by or against the other party; (iii) appointment of a receiver or trustee for the other party; or (iv) execution of an assignment for the benefit of creditors by the other party, all of which will allow Company to demand reclamation of all affected orders. (d) Except as provided in this section 16, Customer may not terminate this Agreement, in whole or in part, unless Company's prior written consent is obtained and Customer agrees to pay all of Company's cancellation charges.

17. GOVERNING LAW; VENUE; AND EXPENSES. (a) This Agreement and any disputes or controversies arising hereunder will be governed by and construed according to the internal laws of the State of Indiana, United States of America, without regard to its conflict of law principles, and not including the United Nations Convention on Contracts for the International Sale of Goods. (b) Jurisdiction and venue with respect to any action, proceeding, or suit in connection with this Agreement will reside in the courts of the State of Indiana. (c) Customer agrees to pay for all expenses (including attorney's fees) incurred by Company in enforcing the obligations of Customer under this Agreement.

18. COMPLIANCE WITH LAWS, EXPORT CONTROLS, CERTIFICATIONS, AND NUCLEAR LIABILITY. (a) This Agreement is subject to, and Company and Customer will comply with, all laws and export controls, regulations, rules, orders, licenses, requirements, and governmental requests now or hereafter in effect in the United States of America that pertain to the Products or the initial sale of the Products or that pertain to Services. **Provided however,** Company is not responsible for obtaining or maintaining any permits for the performance of Services or the verification or compliance with any code requirements relative to the performance of Services. To the extent any sale of Products or Services pursuant to this Agreement may require approval of the U.S. Government, Company's obligations under this Agreement are conditioned upon the grant of such approval and upon compliance by Customer with any restrictions imposed by the U.S. Government in connection with such approval. (b) Certain Products are noted by Company as tested by independent laboratories for compliance with UL and/or ANSI standards. Any and all modifications or alterations to such Products will void such certification, and Company is not liable to Customer to certify any modified or altered Product. (c) In the event the Products are to be used in a nuclear facility, the Customer shall, prior to such use, arrange for insurance or governmental indemnity protecting Company against liability. The Customer hereby releases and agrees to indemnify Company and its suppliers for any nuclear damage including, but not limited to, loss of use, in any manner arising out of the nuclear incident, whether alleged to be due, in whole or in part by Company or its suppliers.

19. NO INDUCEMENTS. The parties hereto represent to each other and each agrees that, neither it nor any person acting on its behalf has, in contravention of any applicable law, given or offered to give, or will give or offer to give, any sum of money or other material consideration to any person, directly or indirectly, as an inducement to obtain business hereunder or to influence the granting of licenses or other governmental permissions to enter into this Agreement or perform obligations hereunder.

20. SEVERABILITY. If any provision of this Agreement is held to be invalid, illegal, or unenforceable under any statute, regulation, ordinance, executive order, or other rule of law, that provision will be deemed severed to the extent necessary to comply with such statute, regulation, ordinance, order, or rule. In the event such provision is deemed severed, the parties will negotiate in good faith to arrive at an alternative arrangement approximating the original business objective of the parties. The remaining terms and conditions of this Agreement will remain in effect.

21. NO IMPLIED WAIVER. The failure of either party at any time to require performance by the other party of any provision of this Agreement will in no way affect the right to require such performance at any time thereafter, nor will the waiver of either party of a breach of any provision of this Agreement constitute a waiver of any succeeding breach of the same or any other provision.

22. MISCELLANEOUS. (a) This Agreement does not constitute either party the agent or legal representative of the other party. Neither party is authorized to create any obligation on behalf of the other party including, but not limited to, the obligation for payment of any service or warranty obligation hereunder. (b) Neither this Agreement nor any right or obligation hereunder may be transferred or assigned by either party without the prior written approval of the other party, except that Company can transfer or assign this Agreement or any right or obligation (including, but not limited to the right to receive payments for any orders) to Ingersoll-Rand Company or an Ingersoll-Rand Company entity without first obtaining Customer's consent. (c) The rights and remedies herein reserved to Company will be cumulative and additional to any other or further rights and remedies provided at law or equity. (d) Customer does not have the right to setoff or to back charge against any amounts which become payable to Company under this Agreement or otherwise. (e) The official text of this Agreement is in the English language. If this Agreement is translated into another language, the English text will govern any question with respect to interpretation. (f) The headings in this Agreement are for convenience of reference only and do not affect the meaning of this Agreement in any manner.

23. DEFINITIONS. (a) "Agreement" means Ingersoll-Rand Company, Security Technologies Sector Terms and Conditions of Sale and Service. (b) "Company" means Ingersoll-Rand Company, Security Technologies Sector. (c) "Customer" means the Buyer. (d) "Buyer" means the purchaser of products or Services from Company. (e) "U.S." means United States of America.

TERMS & CONDITIONS • Standard Schlage Product Terms and Conditions

Commercial

The following specific product terms and conditions are applicable only to the extent provided herein. All other terms and conditions contained in the General Terms and Conditions of Sale and Service provided in this Price Book will govern the sale of products identified in this Price Book.

Commercial Patent Numbers:

| | | | | | | | | |
|---------|---------|---------|---------|---------|---------|---------|---------|---------|
| 4884835 | 5566996 | 5697653 | 5782118 | 6042417 | 6568725 | 6905773 | 7159424 | D400348 |
| 5070715 | 5604970 | 5715717 | 5809816 | 6131966 | 6612141 | 6988751 | 7248836 | D411732 |
| 5152558 | 5628216 | 5718468 | 5881590 | 6189351 | 6615629 | 7036856 | D372417 | D426452 |
| 5308131 | 5657653 | 5722276 | 5947537 | 6516644 | 6619705 | 7051562 | D372854 | D428324 |
| 5533368 | 5683127 | 5769472 | 6038896 | 6553800 | 6869116 | 7063363 | D397993 | D493089 |

This price list supersedes and cancels all previous price lists. Prices shown are subject to change without notice. All prices may be subject to discount. Products considered "Specials" ("X" designated part numbers) fall outside of standard discount terms. Contact Customer Service for clarification.

Minimum Order Size for Channel Discount:

All orders less than \$500.00 list shall be discounted at book net.

Claims and Returns:

Due to Schlage error:

- Claims for shortages and/or incorrectly filled orders must be filed with Customer Service within 30-days of receipt of material.
- Incorrect order acknowledgments must be changed by faxing request to Customer Service @ (800) 452-0665 upon receipt of acknowledgment.
- Invoice adjustments must be faxed to Credit Adjustments @ (317) 810-3048 within 30-days of receipt of invoice.
- Returned goods will not be accepted without prior written approval from Schlage. Credit will be based upon the Return Material Authorization (RMA) issued by Customer Service or the Ingersoll Rand Security & Safety Consultant and final acceptance by Schlage. Returns must be prominently marked with the RMA number and follow return guidelines on the RMA form. Return freight cost is prepaid by the customer and reimbursed at UPS ground rate.
- Product considered being defective after review by the Ingersoll Rand Security & Safety Consultant must be returned to the Schlage Lock Company facility in Security, Colorado accompanied by an RMA. Replacement orders for defective product will be entered by Customer Service at the time of notification.

Claims and Returns:

Due to Customer error:

- It is the policy of the Schlage Lock Company to not accept returns of any materials that are correctly furnished as per the dealer's purchase order.
- Return of product due to customer order error or accommodation must be pre-arranged with the Ingersoll Rand Security & Safety Consultant and approved by Business Unit Manager.
- Returns are subject to a minimum restocking charge of 35% for unopened cases of stock product.
- Non-stock materials are not returnable.
- Product must be received in original factory condition and certified as such by Schlage Receiving.
- No return freight charges will be credited.

Under no circumstances is Schlage liable for incidental or consequential damages. Charge-backs will not be allowed.

Freight Policy:

Customer orders in excess of \$8,000 list will be shipped freight prepaid by Schlage to a single destination point in the U.S. Orders less than this amount will ship UPS/RPS prepaid and actual freight will be indicated on the customer's invoice. All goods are shipped F.O.B. factory or DSC and become the customer's property when they pass into the hands of the transportation company. Schlage reserves the right to use our choice of carrier. Schlage will ship as requested, freight collect, if the customer is willing to bear the entire expense and so indicates on the order. Other delivery options include Next Day, 2-day, and 3-day shipping.

Standard Schlage Product Terms and Conditions • TERMS & CONDITIONS

Commercial

Delivery:

For the following:

Orders exclusively for Stock Products submitted in either of these formats:

- On customer purchase orders using eligible SKU numbers and prominently marked on the order as "Stock Products"
- On Stock Products order forms MS-1500.1 and MS-1500.2

Non-Master Keyed orders

Master Keyed orders

or

Non-Master Keyed orders prominently marked on the order to "Ship Complete"

Expect this delivery:

Will ship within 10 business days of receipt of order provided the account is in good credit standing at the time the purchase order is entered at Schlage. Order must be received by 6:00 p.m. EST (excluding weekends and holidays) to be processed on the same business day.

Stock Products will automatically split off the order and ship within 15 business days of receipt of order provided the account is in good credit standing at the time the purchase order is entered at Schlage. Factory items will individually be assigned ship dates based on current lead times.

The entire order will be assigned ship dates grouped by factory location. Items with longest current lead times determine ship date for other items from that location.

All orders will be acknowledged with scheduled ship dates. Specific scheduled ship dates are not guaranteed by Schlage because of the nature of product, labor, availability of product or manufacturing conditions that might be beyond our control. Schlage will not be liable for back charges incurred based on availability of product in accordance with acknowledged ship dates. Stock Products that are temporarily out of inventory will be back-ordered. Selected Stock Products are available to specific channels of distribution for 1 and 5-day delivery through the Ingersoll Rand Fast Track Program. The Ingersoll Rand Fast Track Program is subject to separate terms and conditions.

Order Changes or Cancellations:

| Type of Change | Type of Product | | |
|---|---|--|---|
| | <ul style="list-style-type: none"> • Stock Products • Primus® Keys • QuicKey | Normal Factory Lead Time Items | ⌚ Extended Factory Lead Time Items |
| 1. Change to: <ul style="list-style-type: none"> – Product, creating a different SKU number – Keying* | Not Accepted | <ul style="list-style-type: none"> • OK within first 5-days from receipt of order. • If after 5-days, item must be deleted from order (see 3, 25% handling charge will apply) and entered as a new order (see 2). | <ul style="list-style-type: none"> • OK within first 10-days from receipt of order. • If after 10-days, item must be deleted from order (see 3, 50% handling charge will apply) and entered as a new order (see 2). |
| 2. Change to: <ul style="list-style-type: none"> – Increase quantity of existing item(s) – Add new item(s) | Not Accepted | <ul style="list-style-type: none"> • New order with normal lead-time must be generated for additions. Same terms & conditions will be applied if requested so long as the original order has not been shipped. • Additions received after the original order ships must be entered as a new order and will stand-alone for lead-time and terms & conditions. | |
| 3. Change to: <ul style="list-style-type: none"> – Delete item(s) – Reduce quantity of existing item(s) – Cancel order | Not Accepted | <ul style="list-style-type: none"> • OK within first 5-days from receipt of order. • If after 5-days, subject to handling charge of 25% of the net price of the deleted item(s).** | <ul style="list-style-type: none"> • OK within first 10-days from receipt of order. • If after 10-days, subject to handling charge of 50% of the net price of the deleted item(s).** |

* Includes any change to key symbol, door identification and/or cylinder pinning.

** Handling charges are billed on the original order.

- Notes:**
- 1) Change orders must be faxed to Customer Service @ (800) 452-0665. Please prominently mark fax as a change order request. For questions call (800) 847-1864.
 - 2) Customer Service will acknowledge receipt of change orders and action taken.
 - 3) Change orders resulting in handling charges require customer review prior to change being made.
 - 4) Changes to Stock Products can be made if the product is out of stock.

TERMS & CONDITIONS • Standard Schlage Product Terms and Conditions

Residential

The following specific product terms and conditions supersede the general terms and conditions of sale and service only to the extent provided herein. All other terms and conditions contained in the General Terms and Conditions of Sale and Service provided in this Price Book will govern the sale of products identified in this Price Book.

Residential Patent Numbers:

| | | | | | | | | |
|---------|---------|---------|---------|---------|---------|---------|---------|---------|
| 5070715 | 5598726 | 5769472 | 5918916 | 6540274 | 7143477 | D406528 | D457049 | D520331 |
| 5152558 | 5640863 | 5809816 | 6286347 | 6581426 | 7159424 | D426452 | D458829 | D520332 |
| 5308131 | 5683127 | 5816086 | 6297725 | 6802546 | D372417 | D428324 | D467155 | D537702 |
| 5395144 | 5715717 | 5820290 | 6523375 | 6905773 | D372854 | D450558 | D472788 | D541620 |
| 5593193 | 5765412 | 5881590 | 6533336 | 6926319 | D406056 | D457048 | D487388 | D543435 |

The price list in this price book supersedes and cancels all previous price lists contained in any other price books or versions thereafter. Prices shown are subject to change without notice. All prices are subject to discount. Products considered "Specials" ("X" designated part numbers) fall outside of standard discount terms. Contact customer service for clarification.

Service Charges:

Service charges on past due invoices (except validly disputed items) will be assessed as follows: 1 1/2% per month or the maximum allowable by law on past due amounts open as of the last day of each calendar month until the past due amounts are paid.

Changes or Cancellations:

Changes or cancellations to an order must be in writing and may result in additional charges for labor and/or materials. Changes may result in a delay in the scheduled ship date. Additions to orders will be entered as separate stand-alone orders and must qualify for all terms of sale, including discounts, on an individual basis. Changes or deletions resulting in an order size of less than our minimum will not be accepted. Orders for non-cataloged, special or nonstandard items may not be canceled. Factory orders may not be changed within 7 days.

Claims and Returns:

Claims for shortages and/or incorrectly filled orders must be filed with Customer Service within 10 days of receipt of material. Price adjustments must also be made in writing to Customer Service within 30 days from receipt of invoice. No returned goods will be accepted without written approval from Schlage. Credit will be based upon the written authorization of the IR Schlage representative and final acceptance by Schlage. Such returns must be prominently marked with the return goods authorization number and shipped prepaid. Returns, if approved, will be subject to a minimum restocking charge of 35% for unopened cases received in the same condition as when sold by Schlage. Non-stock materials are not returnable. Charge-backs will not be allowed.

Freight Policy:

Customer orders in excess of \$1,000 Net will be shipped freight prepaid by Schlage to a single destination point in the U.S. Orders less than this amount will ship UPS/RPS prepaid and actual freight will be indicated on the customer's invoice. All goods are shipped F.O.B. factory or DSC and become the customer's property when they pass into the hands of the transportation company. Schlage reserves the right to use our choice of carrier. Schlage will ship as requested, freight collect, if the customer is willing to bear the entire expense and so indicates on the order. Other delivery options include Next Day, 2-day, and 3-day shipping.

Taxes:

Prices do not include any present or future Federal, State or local property, license, privilege, sales, use, excise, gross receipts or other like taxes or assessments which may result from transactions or any services performed in connection therewith.

Delivery:

Orders will be assigned ship dates and acknowledged accordingly, based on estimates of availability of products. Specific scheduled ship dates are not guaranteed by Schlage because of the nature of product, labor, availability of material or manufacturing conditions that might be beyond our control. Schlage will not be liable for back charges incurred based on availability of product in accordance with acknowledged ship dates.

Certifications:

Schlage products, as noted in our catalog, are produced and tested by independent laboratories for compliance with UL and ANSI standards. Any field modification or alteration of product will void certification.

Copyright 2008, Ingersoll-Rand Company
All rights reserved. Printed in U.S.A.

Standard Pack

| Lock Series | Functions | Case Quantity | Avg. Wt. per Case | Cubic Feet | Case Dimensions (inches) | | |
|-------------|---------------------------|---------------|-------------------|------------|--------------------------|-------|--------|
| | | | | | Length | Width | Depth |
| A | Keyed | 20 | 36 | 1.4 | 8.88 | 15.75 | 17.88 |
| | Non-keyed | 20 | 28 | 1.4 | 8.88 | 15.75 | 17.88 |
| | Dummy trim | 20 | 8 | 0.6 | 4.75 | 14.38 | 14.55 |
| | Lever designs | 20 | 36 | 1.7 | 9 | 13 | 25.5 |
| AL | Keyed & non-keyed | 6 | 25.9 | 1.5 | 16.6 | 15.2 | 10.2 |
| | Dummy trim | 6 | 9.3 | 1 | 13.8 | 13.6 | 9.6 |
| B | B560 | 20 | 33.5 | 1.0 | 6.5 | 15.25 | 18.25 |
| | B562 | 20 | 41 | 1.0 | 6.5 | 15.25 | 18.25 |
| | B250PD | 20 | 28 | 1.0 | 6.5 | 15.25 | 18.25 |
| | B252PD | 20 | 37 | 1.0 | 6.5 | 15.25 | 18.25 |
| | B360N | 20 | 40 | 1.0 | 6.5 | 15.25 | 18.25 |
| | B362N | 20 | 44 | 1.0 | 6.5 | 15.25 | 18.25 |
| | B600/700/800 | 12 | 36.5 | 0.6 | 6.5 | 12.12 | 13.75 |
| BA | BA360 | 12 | 22 | 0.6 | 6.5 | 12.12 | 13.75 |
| | BA362 | 12 | 25 | 0.6 | 6.5 | 12.12 | 13.75 |
| BE | BE365 | 6 | 33 | 1.0 | 9.25 | 13.5 | 14.125 |
| D Knobs | Keyed & non-keyed | 10 | 31 | 0.7 | 8.88 | 8.75 | 15.38 |
| | Dummy trim | 10 | 17 | 0.3 | 4.75 | 7.75 | 14.38 |
| ND Levers | Keyed & non-keyed | 6 | 34 | 1.5 | 17 | 14 | 10.6 |
| | Dummy trim | 6 | 9.3 | 1 | 13.8 | 13.6 | 9.6 |
| F | Keyed knobs (non Orbit) | 20 | 0 | 1.4 | 8.88 | 15.75 | 17.88 |
| | Keyed levers | 20 | 41.6 | 2 | 9 | 12 | 32 |
| | Keyed Orb | 20 | 41.6 | 1.4 | 8.88 | 15.75 | 17.88 |
| | Keyless knobs (non Orbit) | 20 | 30 | 1.4 | 8.88 | 15.75 | 17.88 |
| | Keyless levers | 20 | 41.6 | 2 | 9 | 12 | 32 |
| | Keyless Orb | 20 | 41.6 | 1.4 | 8.88 | 15.75 | 17.88 |
| | Dummy knobs | 20 | 7.6 | 0.6 | 4.75 | 14.38 | 14.55 |
| | Dummy levers | 30 | 11.4 | 0.9 | 4.75 | 14.5 | 22.25 |
| | F360 & FF255E | 4 | 23 | 1.4 | 8.5 | 16 | 17.25 |
| | F362 | 4 | 24 | 1.4 | 8.5 | 16 | 17.25 |
| | F393 | 4 | 22 | 1.4 | 8.5 | 16 | 17.25 |
| FA | Keyed knobs | 10 | 18.5 | 0.7 | 8.88 | 8.75 | 15.38 |
| | Keyed levers | 16 | 41 | 1.7 | 9 | 13 | 25.5 |
| | Keyless knobs | 10 | 18.5 | 0.7 | 8.88 | 8.75 | 15.38 |
| | Keyless levers | 16 | 36.2 | 1.7 | 9 | 13 | 25.5 |
| | Dummy knobs | 10 | 5 | 0.3 | 4.75 | 7.75 | 14.38 |
| | Dummy levers | 20 | 16 | 1.0 | 6.5 | 15.25 | 18.25 |
| | FA360 | 4 | 33 | 2.1 | 9 | 16 | 26.25 |
| FA362 | 4 | 35 | 2.1 | 9 | 16 | 26.25 | |
| FE | FE395 | 6 | 30.3 | 1.5 | 10.6 | 14 | 17 |
| | FE375 | 6 | 25.5 | 1.5 | 10.6 | 14 | 17 |
| H | H110 | 10 | 40 | 1.7 | 21.1 | 14.5 | 9.4 |
| | H153 | 10 | 43 | 1.7 | 21.1 | 14.5 | 9.4 |
| | H170 | 20 | 28 | 1.9 | 23.1 | 16.1 | 8.9 |
| | H172 | 20 | 38 | 1.9 | 23.1 | 16.1 | 8.9 |

Freight Weight Chart

Shipping weights shown represent an approximation of the average weight for any lock and are intended only for use in estimating transportation and tariff charges. They are subject to variations due to changes in manufacturing or methods of packing.

continued on next page

TERMS & CONDITIONS • Freight Weight Chart

Schlage

Standard Pack (continued)

| Lock Series | Functions | Case Quantity | Avg. Wt. per Case | Cubic Feet | Case Dimensions (inches) | | |
|-------------------------|-------------------------|---------------|-------------------|------------|--------------------------|-------|-------|
| | | | | | Length | Width | Depth |
| Dexter | JD60 | 24 | 35.85 | 0.93 | 13.58 | 12.01 | 8.46 |
| | JD62 | 24 | 44.66 | 0.93 | 13.58 | 12.01 | 8.46 |
| | JD80 | 24 | 21.04 | 0.55 | 10.87 | 9.73 | 7.48 |
| | JD80 | 24 | 25.30 | 0.58 | 12.28 | 10.35 | 7.87 |
| | JH60 | 4 | 20.24 | 0.80 | 11.81 | 7.68 | 13.19 |
| | JH62 | 4 | 21.34 | 0.80 | 11.81 | 7.68 | 13.19 |
| | JH193 | 4 | 16.06 | 0.80 | 11.02 | 15.35 | 17.91 |
| | JH58 | 4 | 13.86 | 0.80 | 11.81 | 7.68 | 13.19 |
| | JH59 | 24 | 26.77 | 1.20 | 16.54 | 13.39 | 8.27 |
| | JI58 | 24 | 30.36 | 1.56 | 21.18 | 17.8 | 6.38 |
| | JI59 | 12 | 33.88 | 1.10 | 13.58 | 12.8 | 9.84 |
| | JI18 | 24 | 29.04 | 1.56 | 21.18 | 17.8 | 6.38 |
| | JI19 | 12 | 34.32 | 1.10 | 13.58 | 12.8 | 9.84 |
| | JT58 | 20 | 27.72 | 1.83 | 14.96 | 13.39 | 14.17 |
| | Keyed Levers | 24 | 43.12 | 2.24 | 18.11 | 13.39 | 14.17 |
| | Non-keyed Levers | 24 | 32.56 | 2.24 | 22.44 | 18.9 | 6.69 |
| | Dummy Trim Levers | 50 | 28.16 | 1.46 | 14.41 | 13.31 | 11.65 |
| | Keyed Knobs | 24 | 31.46 | 1.23 | 12.20 | 10.63 | 14.57 |
| | Non-keyed (J40) Knobs | 24 | 31.02 | 1.23 | 12.20 | 10.63 | 14.57 |
| | Non-keyed (J10) Knobs | 24 | 25.52 | 1.23 | 12.20 | 10.63 | 14.57 |
| | Dummy Trim Knobs | 50 | 17.82 | 0.98 | 14.37 | 14.17 | 7.09 |
| | Keyed Stratus knob | 24 | 29.04 | 1.23 | 12.20 | 10.63 | 14.57 |
| | Non-keyed (J40) Stratus | 24 | 25.96 | 1.23 | 12.20 | 10.63 | 14.57 |
| Non-keyed (J10) Stratus | 24 | 23.98 | 1.23 | 12.20 | 10.63 | 14.57 | |
| Dummy Trim Stratus knob | 50 | 15.40 | 0.98 | 14.37 | 14.17 | 7.09 | |
| L400 | | 1 | 1.7 | 0.1 | 6.5 | 5.5 | 3 |
| L9000 | | 6 | 45 | 1.3 | 16.4 | 11.8 | 11.3 |
| S | | 6 | 18 | 1.5 | 17 | 14 | 10.6 |
| S200 | | 6 | 24.5 | 1.5 | 17 | 14 | 10.6 |
| CL | CL1000 | 20 | 16.6 | 0.6 | 4.75 | 14.38 | 14.55 |
| | CL2000 | 20 | 16.6 | 0.6 | 4.75 | 14.38 | 14.55 |

Freight Weight Chart

Shipping weights shown represent an approximation of the average weight for any lock and are intended only for use in estimating transportation and tariff charges. They are subject to variations due to changes in manufacturing or methods of packing.

Key Blanks

| Product | Box Quantity | Avg. Wt. per Box | Case Quantity | Avg. Wt. per Case | Case Cubic Feet |
|---------------|--------------|------------------|---------------|-------------------|-----------------|
| 5-Pin | 50 | 1.5 | 1000 | 23.5 | .2 |
| 6-Pin Classic | 50 | 1.2 | 1000 | 24.6 | .2 |
| Everest® | 50 | 1.75 | 500 | 17.9 | .2 |

| Portable Security Product | Description | Case Qty. | Case Wt. | Cubic Feet | Case Dimensions (inches) | | | |
|---------------------------|---|---|----------|------------|--------------------------|-------|-------|-------|
| | | | | | Length | Width | Depth | |
| Security Chains | 810223 | Cinch Ring Security Chain - 4' 3" | 1 | 7.49 | 0.14 | 2.5 | 10 | 10 |
| | 810230 | Cinch Ring Security Chain - 2' 3" | 1 | 4.29 | 0.07 | 4.5 | 4.25 | 6.25 |
| | KKX16 | Security Chain & Padlock - 3' 5" | 1 | 6.69 | 0.07 | 4.5 | 4.25 | 6.25 |
| | KKY16 | Security Chain & Padlock - 5' 6" | 1 | 9.97 | 0.14 | 2.5 | 10 | 10 |
| Cable Security | KC215E130 | Locking Cable SFIC (Less Cylinder) 6' x 5/8" | 1 | 3.97 | 0.16 | 2.8 | 10.4 | 9.5 |
| | KC215E220 | Locking Cable KNK Cylinder 6' x 5/8" KD | 1 | 3.93 | 0.16 | 2.8 | 10.4 | 9.5 |
| | KC220E220 | Locking Cable KNK Cylinder 6' x 3/4" KD | 1 | 5.47 | 0.16 | 2.8 | 10.4 | 9.5 |
| | KC215E230 | Locking Cable KNK (Less Cylinder) 6' x 5/8" | 1 | 4.1 | 0.16 | 2.8 | 10.4 | 9.5 |
| | KC220E230 | Locking Cable KNK (Less Cylinder) 6' x 3/4" | 1 | 5.25 | 0.16 | 2.8 | 10.4 | 9.5 |
| | KC215A230 | Locking Cable KNK (Less Cylinder) 2' x 3/4" | 1 | 2.1 | 0.16 | 2.8 | 10.4 | 9.5 |
| | KC215B230 | Locking Cable KNK (Less Cylinder) 4' x 3/4" | 1 | 4.2 | 0.16 | 2.8 | 10.4 | 9.5 |
| | KC215A130 | Locking Cable SFIC (Less Cylinder) 2' x 3/4" | 1 | 2.1 | 0.16 | 2.8 | 10.4 | 9.5 |
| | KC215B130 | Locking Cable SFIC (Less Cylinder) 4' x 3/4" | 1 | 4.2 | 0.16 | 2.8 | 10.4 | 9.5 |
| | 999201 | Rekeyable Locking Cable - 6' x 5/8" (15mm) | 5 | 17.14 | 1.02 | 12.75 | 8 | 17.25 |
| | 999218 | Locking Key Cable - 5' x 1/2" (12mm) | 5 | 5.71 | 0.29 | 11 | 5 | 9 |
| | 999225 | Resettable Combination Cable - 5' x 3/8" (10mm) | 5 | 6.66 | 0.31 | 10 | 6 | 9 |
| | 820406 | Heavy Duty Double Loop Steel Cable - 7' x 5/8" (15mm) | 5 | 15.01 | 0.84 | 11.25 | 12 | 10.75 |
| | 820413 | Heavy Duty Double Loop Steel Cable - 15' x 5/8" (15mm) | 4 | 21.12 | 1.14 | 13.13 | 12.25 | 12.25 |
| | 999249 | Double Loop Flexible Steel Cable - 4' x 3/8" (10mm) | 5 | 4.49 | 0.24 | 11 | 6.5 | 5.75 |
| | 999256 | Double Loop Flexible Steel Cable - 7' x 3/8" (10mm) | 5 | 7.01 | 0.32 | 13.75 | 6 | 6.75 |
| | 999263 | Double Loop Flexible Steel Cable - 15' x 3/8" (10mm) | 5 | 12.65 | 0.67 | 12.25 | 9.5 | 10 |
| | 999270 | Double Loop Flexible Steel Cable - 30' x 3/8" (10mm) | 5 | 22.81 | 0.89 | 10.25 | 11.5 | 13 |
| | 994800 | Double Loop Cable (4' x 3/8") & Weather Cover Padlock | 5 | 7.75 | 0.6 | 11 | 9 | 10.5 |
| | 994862 | Double Loop Cable (15' x 3/8") & Weather Cover Padlock | 5 | 15.15 | 0.88 | 12 | 10.75 | 11.75 |
| Padlocks | 999232 | Extra Large Padlock | 5 | 14.59 | 0.6 | 14 | 8.25 | 9 |
| | 851226KA | Round Body Solid Steel Padlock - 2" shackle | 6 | 8.69 | 0.41 | 10.25 | 6.5 | 10.75 |
| | 994831 | Round Body Solid Steel Padlock 2pk Keyed Alike - 2" shackle | 4 | 13.65 | 0.33 | 8.5 | 9.5 | 7 |
| | 850465 | Dial Combination Padlock | 6 | 2.82 | 0.16 | 6 | 4.5 | 10.25 |
| | 850410 | Covered Laminated Padlock 2pk Keyed Alike - 1 1/2" (40mm) | 6* | 7.14 | 0.28 | 6.25 | 8 | 9.75 |
| | 855156 | Shackle-less Padlock | 6 | 14.11 | 0.33 | 8.66 | 5.9 | 11.22 |
| | KS11A1200 | Chrome Plated Brass Padlock SFIC (Less Cylinder) 3/4" shackle | 6 | 5.08 | 0.05 | 2.76 | 7.76 | 3.94 |
| | KS11D1200 | Chrome Plated Brass Padlock SFIC (Less Cylinder) 1 1/2" shackle | 6 | 5.52 | 0.06 | 2.76 | 7.76 | 4.53 |
| | KS11F1200 | Chrome Plated Brass Padlock SFIC (Less Cylinder) 2" shackle | 6 | 5.52 | 0.06 | 2.76 | 7.76 | 5.00 |
| | KS11G1200 | Chrome Plated Brass Padlock SFIC (Less Cylinder) 4" shackle | 6 | 6.18 | 0.09 | 2.76 | 7.76 | 7.05 |
| | KS13A2300 | Brass Padlock KNK Cylinder 3/4" shackle, KD | 6 | 6.18 | 0.05 | 2.76 | 7.76 | 3.94 |
| | KS13D2300 | Brass Padlock KNK Cylinder 1 1/2" shackle, KD | 6 | 6.18 | 0.06 | 2.76 | 7.76 | 4.53 |
| | KS13F2300 | Brass Padlock KNK Cylinder 2" shackle, KD | 6 | 6.62 | 0.06 | 2.76 | 7.76 | 5.00 |
| | KS13G2300 | Brass Padlock KNK Cylinder 4" shackle, KD | 6 | 7.28 | 0.09 | 2.76 | 7.76 | 7.05 |
| | KS21A1200 | Chrome Plated Brass Padlock SFIC (Less Cylinder) 3/4" shackle | 6 | 5.52 | 0.05 | 2.76 | 7.76 | 3.94 |
| | KS21D1200 | Chrome Plated Brass Padlock SFIC (Less Cylinder) 1 1/2" shackle | 6 | 5.52 | 0.06 | 2.76 | 7.76 | 4.53 |
| | KS21F1200 | Chrome Plated Brass Padlock SFIC (Less Cylinder) 2" shackle | 6 | 5.52 | 0.06 | 2.76 | 7.76 | 5.00 |
| | KS21G1200 | Chrome Plated Brass Padlock SFIC (Less Cylinder) 4" shackle | 6 | 6.62 | 0.09 | 2.76 | 7.76 | 7.05 |
| | KS23A2300 | Brass Padlock KNK Cylinder 3/4" shackle, KD | 6 | 6.18 | 0.09 | 2.76 | 7.76 | 7.05 |
| | KS23D2300 | Brass Padlock KNK Cylinder 1 1/2" shackle, KD | 6 | 6.62 | 0.06 | 2.76 | 7.76 | 4.53 |
| | KS23F2300 | Brass Padlock KNK Cylinder 2" shackle, KD | 6 | 6.62 | 0.06 | 2.76 | 7.76 | 5.00 |
| | KS23G2300 | Brass Padlock KNK Cylinder 4" shackle, KD | 6 | 7.28 | 0.09 | 2.76 | 7.76 | 7.05 |
| | KS41A1200 | Chrome Plated Brass Padlock SFIC (Less Cylinder) 3/4" shackle | 6 | 6.18 | 0.09 | 2.76 | 7.76 | 7.05 |
| | KS41D1200 | Chrome Plated Brass Padlock SFIC (Less Cylinder) 1 1/2" shackle | 6 | 6.18 | 0.06 | 2.76 | 7.76 | 4.53 |
| | KS41F1200 | Chrome Plated Brass Padlock SFIC (Less Cylinder) 2" shackle | 6 | 6.62 | 0.06 | 2.76 | 7.76 | 5.00 |
| | KS41G1200 | Chrome Plated Brass Padlock SFIC (Less Cylinder) 4" shackle | 6 | 7.73 | 0.09 | 2.76 | 7.76 | 7.05 |
| | KS43A2300 | Brass Padlock KNK Cylinder 3/4" shackle, KD | 6 | 6.62 | 0.09 | 2.76 | 7.76 | 7.05 |
| | KS43A3200 | Brass Padlock Full Size IC (Less Cylinder) 3/4" shackle | 6 | 6.62 | 0.09 | 2.76 | 7.76 | 7.05 |
| | KS43D2300 | Brass Padlock KNK Cylinder 1 1/2" shackle, KD | 6 | 7.28 | 0.06 | 2.76 | 7.76 | 4.53 |
| | KS43D3200 | Brass Padlock Full Size IC (Less Cylinder) 1 1/2" shackle | 6 | 7.28 | 0.06 | 2.76 | 7.76 | 4.53 |
| | KS43F2300 | Brass Padlock KNK Cylinder 2" shackle, KD | 6 | 7.28 | 0.06 | 2.76 | 7.76 | 5.00 |
| | KS43F3200 | Brass Padlock Full Size IC (Less Cylinder) 2" shackle | 6 | 7.28 | 0.06 | 2.76 | 7.76 | 5.00 |
| | KS43G2300 | Brass Padlock KNK Cylinder 4" shackle, KD | 6 | 8.39 | 0.09 | 2.76 | 7.76 | 7.05 |
| | KS43G3200 | Brass Padlock Full Size IC (Less Cylinder) 4" shackle | 6 | 8.39 | 0.09 | 2.76 | 7.76 | 7.05 |
| | KS72F1200 | Steel Padlock SFIC (Less Cylinder) 2" shackle | 6 | 10.6 | 0.10 | 3.27 | 9.29 | 5.59 |
| | KS72F2300 | Steel Padlock KNK Cylinder 2" shackle, KD | 6 | 5.08 | 0.10 | 3.27 | 9.29 | 5.59 |
| | KS72F3200 | Steel Padlock Full Size IC (Less Cylinder) 2" shackle | 6 | 5.08 | 0.10 | 3.27 | 9.29 | 5.59 |
| | KS72M1200 | Steel Padlock SFIC (Less Cylinder) 1" shackle | 6 | 9.93 | 0.09 | 3.27 | 9.29 | 4.88 |
| | KS72M2200 | Steel Padlock KNK (Less Cylinder) 1" shackle | 6 | 9.93 | 0.09 | 3.27 | 9.29 | 4.88 |
| | KS72M3200 | Steel Padlock Full Size IC (Less Cylinder) 1" shackle | 6 | 9.93 | 0.09 | 3.27 | 9.29 | 4.88 |
| KS72F2200 | Steel Padlock KNK (Less Cylinder) 2" shackle | 6 | 10.6 | 0.10 | 3.27 | 9.29 | 5.59 | |
| KS82M1200 | Steel Padlock SFIC (Less Cylinder) 1" shackle | 6 | 7.73 | 0.07 | 3.27 | 8.82 | 4.29 | |
| KS82M2200 | Steel Padlock KNK (Less Cylinder) 1" shackle | 6 | 7.73 | 0.07 | 3.27 | 8.82 | 4.29 | |
| KS92M1200 | Steel Padlock SFIC (Less Cylinder) 1" shackle | 6 | 9.93 | 0.07 | 3.27 | 8.82 | 4.29 | |
| KS92M2200 | Steel Padlock KNK (Less Cylinder) 1" shackle | 6 | 9.93 | 0.07 | 3.27 | 8.82 | 4.29 | |
| KS92M3200 | Steel Padlock Full Size IC (Less Cylinder) 1" shackle | 6 | 9.93 | 0.07 | 3.27 | 8.82 | 4.29 | |
| Hasps | 855101 | Vehicle Hasp | 3 | 10.04 | 0.43 | 10.38 | 8.5 | 8.5 |
| | 855118 | Flexible Steel Hasp | 6 | 5.95 | 0.44 | 10.43 | 5.31 | 13.58 |
| | 855125 | Center Hole Hasp | 6 | 8.82 | 0.52 | 9.45 | 5.31 | 17.91 |
| | 855132 | 90 Degree Hasp | 6 | 8.59 | 0.45 | 9.45 | 5.7 | 14.37 |
| | 855149 | Steel Bar Hasp - 7 1/4" | 6 | 9.03 | 0.44 | 10.43 | 5.31 | 13.58 |
| | 994848 | Steel Bar Hasp - 4 1/2" | 6 | 2.7 | 0.26 | 10 | 4.75 | 9.5 |

* Case is 6 each 2-packs.

TERMS & CONDITIONS • Complete Locks

Product Warranties: Commercial Applications

Limited Warranty

Schlage Lock Company, LLC (the “Company”) extends a three year limited warranty to the original user of the products manufactured by the Company (the “Products”) against defects in material and workmanship from the date of purchase. Certain Products contain restrictions to this limited warranty, additional warranties, or different warranty periods. Please see below for specific Product warranty information.

What The Company Will Do: Upon return of the defective Product to the Company or its authorized distributor for inspection, free and clear of all liens and encumbrances and accompanied by the statement of defects of proof of purchase, the Company will replace the Product.

Original User: These warranties only apply to the Original User of Products. These warranties are not transferable.

What Is Not Covered: The following costs, expenses and damages are not covered by the provisions of these limited warranties: (i) labor costs including, but not limited to, such costs for the removal and reinstallation of Products; (ii) shipping and freight expenses required to return the Products to the Company; or (iii) any other incidental, consequential, indirect, special and/or punitive damages, whether based on contract, warranty, tort (including, but not limited to strict liability or negligence), patent infringement, or otherwise, even if advised of the possibility of such damages. Some states do not allow the exclusion or limitation of incidental or consequential damages, so the above exclusion or limitation may not apply to you.

The provisions of these limited warranties do not apply to Products: (i) used for purposes for which they are not designed or intended; (ii) which have been subjected to alteration, misuse, abuse, negligence, or accident; (iii) which have been improperly stored, installed, maintained, repaired or operated; (iv) which have been used in violation of written instructions provided by Schlage; (v) which have been subjected to improper temperature, humidity, or other environmental conditions (i.e., corrosion); or (vi) which, based on the Company’s examination, do not disclose to the Company’s satisfaction non-conformance to the warranties. Additionally, the Company will not warrant ANSI A156.2 Grade 2 lever Product installed in educational facilities and student housing.

Additional Terms: The Company does not authorize any person to create for it any obligation or liability in connection with the Products. **The Company’s maximum liability under these warranties is limited to the purchase price of the Product.** No action arising out of any claimed breach of these warranties by the Company may be brought by the Original User more than one (1) year after the cause of action has arisen.

How State Law Applies: These warranties give you specific legal rights, and you may also have other rights which vary from state to state.

SPECIFIC PRODUCT WARRANTY RESTRICTIONS/ADDITIONAL WARRANTIES:

ND-Series Levers 7-Year Mechanical Warranty

The limited warranty is for a period of seven (7) years from the date of purchase and is subject to the restrictions of these limited warranties.

Small Format Interchangeable Core (SFIC) Warranty

The limited warranty also applies to Schlage locks and housings when used with another manufacturer’s cores, or to Schlage cores (i.e. SFIC) when used in another manufacturer’s locks and housings. *The use of unauthorized cylinder cams or other components with the Products shall void these warranties.*

Everest® Primus® and Everest Primus XP Limited Lifetime Key Breakage Warranty

A limited lifetime warranty is provided to the original user against breakage and is subject to the restrictions of these limited warranties.

Portable Security Limited Lifetime Warranty

A limited lifetime warranty is provided to the original user and is subject to the restrictions of these limited warranties.

Product Warranties: Residential Applications

Lifetime Limited Mechanical & Finish Warranty and 1-Year Limited Electronics Warranty

Subject to the terms and conditions of this warranty, Schlage extends a lifetime limited mechanical and finish warranty and a one-year limited electronics warranty to the original consumer user (“Original User”) of our Schlage brand product (“Product”) against defects in material and workmanship, as long as the Original User occupies the residential premises upon which the Product was originally installed.

What Schlage will do: Upon return of the defective Product to Schlage, Schlage’s sole obligation, at its option, is to either repair or replace the Product, or refund the original purchase price in exchange for the Product. Original User: This warranty only applies to the Original User of Products. This warranty is not transferable.

What is not covered: The following costs, expenses and damages are not covered by the provisions of this limited Warranty: (i) labor costs including, but not limited to, such costs as the removal and reinstallation of Product; (ii) shipping and freight expenses required to return Product to Schlage; and (iii) any other incidental, consequential, indirect, special and/or punitive damages, whether based on contract, warranty, tort (including, but not limited to, strict liability or negligence), patent infringement, or otherwise, even if advised of the possibility of such damages. Some local laws do not allow the exclusion or limitation of incidental or consequential damages, so the above exclusion or limitation may not apply to you.

The provisions of this warranty do not apply to Products: (i) used in commercial applications; (ii) used in common area applications; (iii) used for purposes for which they are not designed or intended; (iv) which have been subjected to alteration, abuse, misuse, negligence or accident; (v) which have been improperly stored, installed, maintained or operated; (vi) which have been used in violation of written instructions provided by Schlage; (vii) which have been subjected to improper temperature, humidity or other environmental conditions; or (viii) which, based on Schlage’s examination, do not disclose to Schlage’s satisfaction non-conformance to the warranty. Additionally, this warranty DOES NOT COVER scratches, abrasions, or deterioration due to the use of paints, solvents or other chemicals.

Exclusions: Oil Rubbed Bronze finish (613) is designed to improve over time and change in appearance, creating a living finish through daily use and thus, finish discoloration is not applicable to the above warranty. **Additional terms:** Schlage does not authorize any person to create for it any obligation or liability in connection with the Product. Schlage’s maximum liability here under is limited to the original purchase price of the Product. No action arising out of any claimed breach of this warranty by Schlage may be brought by the Original User more than one (1) year after the cause of action has arisen.

How local law applies: This warranty gives you specific legal rights, and you may also have other rights as otherwise permitted by law. If this Product is considered a consumer product, please be advised that some local laws do not allow limitations on incidental or consequential damages or how long an implied warranty lasts, so that the above limitations may not fully apply. Refer to your local laws for your specific rights under this warranty.

Product Warranties and Distribution Policy • TERMS & CONDITIONS

Product Warranties: Residential Applications (Cont.)

Guaranteed Fit Program: Schlage products are designed to fit standard residential door preparations and retrofit existing tubular locks. Note: Mortise locks and preparations are not considered standard and are not guaranteed under this program. During the initial installation, if there is a problem with the Product's performance, the Original User may simply contact Schlage Customer Service at 888-805-9837 in the U.S. and Canada or 800-506-7866 in Mexico for assistance.

Program and warranty claims: If you encounter a residential door preparation or fit issue under the Guaranteed Fit Program or have a claim under this warranty, please contact Schlage Customer Service for repair, replacement or refund of the original purchase price in exchange for the return of the Product to Schlage.

DEXTER Lifetime Mechanical Warranty and 5-year Finish Warranty by **SCHLAGE**

Subject to the terms and conditions of this warranty, Schlage Lock Company ("Schlage") extends a lifetime limited mechanical and 5-year finish warranty to the original consumer user ("Original User") of Dexter by Schlage products ("Product") against defects in material and workmanship, as long as the Original User occupies the residential premises upon which the Product was originally installed.

What Schlage will do: Upon return of the defective Product to Schlage, Schlage's sole obligation, at its option, is to either repair or replace the Product, or refund the original purchase price in exchange for the Product. Original User: This warranty only applies to the Original User of Products. This warranty is not transferable.

What is not covered: The following costs, expenses and damages are not covered by the provisions of this limited Warranty: (i) labor costs including, but not limited to, such costs as the removal and reinstallation of Product; (in) shipping and freight expenses required to return Product to Schlage; and (iii) any other incidental, consequential, indirect, special and/or punitive damages, whether based on contract, warranty, tort (including, but not limited to, strict liability or negligence), patent infringement, or otherwise, even if advised of the possibility of such damages. Some local laws do not allow the exclusion or limitation of incidental or consequential damages, so the above exclusion or limitation may not apply to you.

The provisions of this warranty do not apply to Products: (i) used in commercial applications; (ii) used in common area applications; (iii) used for purposes for which they are not designed or intended; (iv) which have been subjected to alteration, abuse, misuse, negligence or accident; (v) which have been improperly stored, installed, maintained or operated; (vi) which have been used in violation of written instructions provided by Schlage; (vii) which have been subjected to improper temperature, humidity or other environmental conditions; or (viii) which, based on Schlage's examination, do not disclose to Schlage's satisfaction non-conformance to the warranty. Additionally, this warranty DOES NOT COVER scratches, abrasions, or deterioration due to the use of paints, solvents or other chemicals.

Product Warranties, Additional Terms & Conditions: Commercial and Residential Applications

Additional Terms: The Company does not authorize any person to create for it any obligation or liability in connection with the Products. The Company's maximum liability under these warranties is limited to the purchase price of the Product. No action arising out of any claimed breach of these warranties by the Company may be brought by the Original User more than one (1) year after the cause of action has arisen.

How State Law Applies: These warranties give you specific legal rights, and you may also have other rights which vary from state to state.

Note: Should the Product be considered a consumer product as may be covered by the Magnusson Moss Federal Warranty Act, please be advised that: (1) Some states do not allow limitations or incidental consequential damages or how long an implied warranty lasts so that the above limitations may not fully apply; and (2) This warranty gives specific legal rights and a user may have other rights which may vary from state to state.

For warranty service and shipping instructions contact:

Schlage and Portable Security Commercial Customers

Schlage
Customer Service
2315 Briargate Parkway, Suite 700
Colorado Springs, CO 80920

(800) 847-1864, Option 2
Fax (800) 452-0665

Schlage and Portable Security Residential and Retail Customers

Schlage
Customer Service
2119 East Kansas City Road
Olathe, KS 66061

(800) 847-1864, Option 1
(888) 805-9837 Consumer
Fax (800) 366-5626

Schlage Electronic Security

Schlage
Electronic Security
Customer Service
575 Birch Street
Forestville, CT 06010

(866) 322-1237
Fax (866) 322-1233

The Schlage Lock Company reserves the right to make changes in designs and specifications or to make additions or improvements on its products without notice and without incurring any obligation to incorporate them on products previously manufactured. The Schlage Lock Company is not responsible for any modification, addition or alteration to our products by others.

Distribution Function and Location Policy

The Schlage customer relationship includes the nonexclusive area of primary sales responsibility and the channel of distribution assigned by Schlage. It is vital to our success and for the effective management of the distribution of our products that the Schlage customer relationship, once it is satisfactorily established between us, should not be changed without our approval. Therefore, after selection by Schlage as a distributor of one or more of Schlage products, a customer should continue to perform that distribution function from the location of its business at the place or places utilized at the time of selection. A customer should not change its Schlage distribution function or establish a different or additional location without the prior written consent of Schlage.

Schlage reserves the right to discontinue, after appropriate notice, sale of its products to any customer which refuses to adhere to this policy. Schlage also reserves the right to change, in its sole discretion, the number and locations of the distributors authorized to distribute its products in any area. This determination will be based upon, among other considerations, the success or failure in developing the market for Schlage products.

TERMS & CONDITIONS • Cylinder Policies

Primus®/ Primus XP Sales Policy

Primus High Security cylinder products manufactured by the Schlage Lock Company are offered for sale through specific channels of distribution, based on stocking requirements and security levels. Possession of this price book or any other Schlage price book does not constitute “the right to purchase” Primus products.

Important: In stocking levels where purchase agreements are required, a fully executed purchase agreement, including initial minimum inventory order, must be in place before any Primus products may be quoted or purchased. Contact your Ingersoll Rand Security Technologies Consultant for specific details.

The prices contained herein apply to Primus Levels 1 through 9 with respect to the actual product. Availability of product is subject to additional conditions as follows:

Classic Keyways

PRIMUS/PRIMUS XP LEVEL 1: For retail locksmiths and Schlage dealers. Standard nationwide side biting by keyway. Stocking level requires a separate Primus agreement. Initial buy-in required for distributors but not for participating locksmiths. Obverse keyways only. HP, JP and LP section keys are not available.

PRIMUS LEVEL 1 PLUS: For retail locksmiths. A side biting is assigned on a nationwide exclusive basis to a specific Schlage wholesale distributor. Stocking level which requires a separate Primus purchase agreement and an initial minimum inventory purchase by the wholesaler and the locksmith. Obverse keyways only. HP, JP and LP section keys are not available. Cylinders are always furnished less key blanks (LKB).

PRIMUS XP LEVEL 1 PLUS: For retail locksmiths. An exclusive side biting is assigned to dealer within the first three digits of the dealer physical location zip-code. Distribution through direct Schlage dealers. Stocking level which requires a separate Primus purchase agreement and an initial minimum inventory purchase. Obverse keyways only. Cylinders can be ordered LKB, KD, KA or MK.

PRIMUS/PRIMUS XP LEVEL 2: For Schlage dealers and large commercial locksmith businesses. Exclusive side biting is assigned to dealer by time zone. Distribution through direct Schlage dealers. Stocking level which requires a separate Primus purchase agreement and an initial minimum inventory purchase. Obverse keyways only.

PRIMUS/PRIMUS XP LEVEL 3: End user level not stocked by dealers. Key systems are assigned a side biting exclusive within 2-digit zip code (Level 3G) for orders of 60 - 1,999 Primus cylinders. Orders of fewer than 60 Primus cylinders are randomly assigned a side biting from a small nationwide pool of side bittings (Level 3U). Distribution through Schlage dealers and Schlage wholesale distributors. Obverse and Quad keyways only.

PRIMUS/PRIMUS XP LEVEL 4: End user level not stocked by dealers. Key systems are assigned a side biting exclusive within a time zone (Level 4Z) for orders of 2,000 - 3,999 Primus cylinders. A nationwide exclusive side biting (Level 4N) is assigned to key systems of 4,000 or more Primus cylinders. This exclusivity can be purchased for a separate fee for smaller quantities of cylinders. This price book does not contain the fee schedule. Contact your Ingersoll Rand Security & Safety Consultant for specific information. Distribution through Schlage dealers and Schlage wholesale distributors. Obverse and Quad keyways only.

Everest® Keyways

PRIMUS LEVEL 7: For retail locksmiths. Side biting is assigned on a nationwide exclusive basis to a specific Schlage wholesale distributor. Stocking level which requires a separate Primus purchase agreement and an initial minimum inventory purchase by the Schlage wholesaler and the locksmith. Same as Level 1 PLUS above, but with Everest C Family keyways only.

PRIMUS XP LEVEL 7: For retail locksmiths. An exclusive side biting is assigned to dealer within the first three digits of the dealer physical location zip-code. Distribution through direct Schlage dealers. Stocking level which requires a separate Primus purchase agreement and an initial minimum inventory purchase. All Everest key sections. Cylinders can be ordered MK, KA, KD or LKB.

PRIMUS/PRIMUS XP LEVEL 8: For Schlage dealers and large commercial locksmith businesses. Exclusive side biting is assigned to dealer by time zone. Distribution through direct Schlage dealers. Stocking level which requires a separate Primus purchase agreement and an initial minimum inventory purchase. Equivalent to Level 2 above, but with Everest C Family keyways only.

PRIMUS/PRIMUS XP LEVEL 9: End user level not stocked by dealers. Key systems are assigned varying degrees of geographically exclusive side bittings based on a sliding scale of purchase commitment or separate fees. This price book does not contain the fee schedule. Contact your Ingersoll Rand Security & Safety Consultant for specific information. Distribution through Schlage dealers and Schlage wholesale distributors. Level 9U, 9G, 9Z, and 9N are equivalent to Levels 3U, 3G, 4Z, and 4N above, but with Everest C and D Family keyways.

The following side bit milling exclusivity criteria apply to both levels 3, 4 & 9:

- 1- 60 cylinders-Random assignment
- 61-1999 cylinders-First two digits of zip-code
- 2000-3999 cylinders-Time-Zone Exclusivity (Also available for \$10,000 fee for an organization who would like this exclusivity and doesn't meet cylinders quantity requirement).
- 4000 + cylinders-Nation Wide Exclusivity.(Also available for \$40,000 fee for an organization who would like this exclusivity and doesn't meet cylinders quantity requirement).

Important Ordering Information

See Forms & Examples: Primus and Everest Primus Ordering Checklist for a checklist of information required to process a Primus order. Note that, for security reasons, all end user Primus levels (Level 3, 4 and 9) require a Facesheet (MS-E120) bearing an original signature. Opening orders for end user Primus levels also require a Signature Card (MS-E130) bearing original signatures. Facesheets and signature cards are used to authenticate the end user request for product, therefore orders received without the correct supporting documents (or without original signatures) are subject to delays or cancellations. Blank Facesheets and Signature Cards are included in the Forms & Examples section of this price book for your reference. Additionally, electronic version of these forms are available at www.schlage.com.

The Schlage Lock Company reserves the right to make changes in designs and specifications, to make additions or improvements on its products, or to discontinue products without incurring any obligation. The Schlage Lock Company is not responsible for any modification, addition, or alteration to our products by others.

| Buy-in Requierments-Commercial Locksmiths Levels | | | |
|--|---------|-------------------|----------|
| Primus XP | | Everest Primus XP | |
| Level 1 | None | N/A | N/A |
| Level 1+ | \$7,500 | Level 7 XP | \$7,500 |
| Level 2 | 25,000 | Level 8 | \$25,000 |

Cylinder Policies • TERMS & CONDITIONS

| PRIMUS PRIMUS <i>XP</i> | | Schlage Logo | | Typical Applications | | EVEREST PRIMUS EVEREST PRIMUS <i>XP</i> | | Schlage Logo | | | | | | |
|---|---|-------------------------------|--|---|--|--|---------------------------|----------------------------------|--|---------------------------|---|----------------------------|---|---|
| LEVEL 1 | Dealer Controlled Systems | National Non-Exclusive | | <ul style="list-style-type: none"> Strip Mall Shops Small Businesses Upscale Homes | Consider Everest Open for Commercial Exclusivity | | LEVEL 7 | Dealer Controlled Systems | <table border="1"> <tr> <td>Primus Wholesaler/ Locksmith Exclusive</td> <td>XP Dealer Exclusive</td> </tr> <tr> <td>Owned and stocked by dealers then resold to end users. Keys bear unique ID based upon three digits zip-code exclusivity of side biting.</td> <td>Owned and stocked by dealers then resold to end users. Keys bear unique ID based upon three digits zip-code exclusivity of side biting.</td> </tr> </table> | | Primus Wholesaler/ Locksmith Exclusive | XP Dealer Exclusive | Owned and stocked by dealers then resold to end users. Keys bear unique ID based upon three digits zip-code exclusivity of side biting. | Owned and stocked by dealers then resold to end users. Keys bear unique ID based upon three digits zip-code exclusivity of side biting. |
| Primus Wholesaler/ Locksmith Exclusive | | XP Dealer Exclusive | | | | | | | | | | | | |
| Owned and stocked by dealers then resold to end users. Keys bear unique ID based upon three digits zip-code exclusivity of side biting. | Owned and stocked by dealers then resold to end users. Keys bear unique ID based upon three digits zip-code exclusivity of side biting. | | | | | | | | | | | | | |
| LEVEL 1+ | Dealer Exclusive | | <ul style="list-style-type: none"> Small Businesses Restaurants Doctor's Offices | Dealer Exclusive | | LEVEL 8 | End User Exclusive | End User Exclusive | | | | | | |
| LEVEL 2 | End User Exclusive | | | <ul style="list-style-type: none"> Office Buildings Banks Private Schools Healthcare Residences | End User Exclusive | | | LEVEL 9 | End User Exclusive | | | | | |
| LEVEL 3 | End User Exclusive | | <ul style="list-style-type: none"> Educational Facilities Healthcare Facilities Large Office Complexes Government Buildings Detention Centers Franchises | | End User Exclusive | | | | End User Exclusive | | | | | |
| LEVEL 4 | End User Exclusive | | | | | | | | | End User Exclusive | | | | |

Everest® Sales Policy

Everest cylinder products manufactured by the Schlage Lock Company are offered for sale through specific channels of distribution. Possession of this price book or any other Schlage price book does not constitute "the right to purchase" Everest products. Everest products are available in three levels of security; Open, Restricted and Primus®. See **Primus Sales Policy** for Everest Primus terms and conditions.

Everest Open

Everest Open includes any non-Primus products with Everest C Family keyways or key sections. Schlage only sells Everest Open products to commercial security professionals. Security professionals purchasing Everest Open products from Schlage are permitted to stock products and to originate or duplicate keys without signature verification.

Everest Restricted

Everest Restricted includes any non-Primus products with Everest B Family or Everest D Family keyways or key sections. B234, B235 and B245 Keyways are classified as Everest Dealer Restricted keyways. All other Everest B Family and Everest D Family non-Primus products are classified as Everest End User Restricted keyways.

End User Keyways

Everest End User Restricted keyways may only be stocked at locations the end user pre-authorizes in writing as an allowable "ship-to" address. Everest Restricted keys may only be used within the facility designated by a six-digit End User ID number stamped on the key.

Dealer Keyways

Right to stock Everest Dealer Restricted keyways requires a written agreement with Schlage. All Dealer Restricted keys are marked with a six-digit Locksmith ID number

Purchasers of Everest Open and Everest Restricted are permitted to resell products in accordance with their distribution agreement to end users and to other commercial security dealers who have a professional locksmith on staff, but are expressly prohibited from reselling to:

- i) Any other reseller whose residential lock and cylinder sales account for 70% of their total lock and cylinder sales;
- ii) Any individual or entity purchasing or selling products through any method of auction;
- iii) Anyone other than the end user who does not agree in writing to Schlage to adhere to Everest sales policies;
- iv) Any contract hardware dealer or wholesale distributor not open as a direct Schlage account at the time of sale.

TERMS & CONDITIONS • Cylinder Policies

Everest® Small Format Interchangeable Core Key Control Policies

All Everest SFIC (Everest B Family) keyways are restricted. New systems require prior approval from the Ingersoll Rand Security and Safety Consultant.

When ordering a new keying system, include the following:

- Signed approval on purchase order by IR Security and Safety Consultant.
- Job (end-user) name, city, state and zip code.
- Authorized ship-to address for key blanks, cores and cut keys on end-user's official stationery. See **Forms & Examples** for sample letter of authorization.
- Numerically defined specifications for expansion of all branches of the key system.

The factory will assign a "facility code" which will appear on all keys and blanks for this job. When ordering additions to an existing keying system, include the following:

- Job (end-user) name, city, state and zip code.
- Facility code previously assigned by Schlage and stamped on all existing keys and blanks.
- Registry number of the keying system as established by Schlage.
- Letter of authorization on end-user's official stationery is required when:
 - End-user places order with new dealer.
 - Order is to be drop shipped to a different ship-to address than originally authorized by the end-user.See **Forms & Examples** for sample letter of authorization.

Bitting list (transcript) orders require a letter of authorization on the end-user's official stationery. Prevailing prices apply.

Restricted Keyway Policy

Definition

Standard keyways and key sections are C, CE, E, EF, F, FG, G, H, J, K, L, and Everest Open (Everest C Family). All other keyways and key sections are restricted. Restricted keyways and key sections fall into four families: Quad, Numbered ("Paracentric"), Reverse, and Everest Restricted (Everest D Family).

Quad, Numbered ("Paracentric") and Reverse Keyway Family Policy

A letter of authorization from the end-user is required for all orders for restricted keyway plugs, 0-bitted and 1-bitted products and all key blanks. Restricted keyway products are not available keyed random. The letter of authorization must indicate the quantity, product and keyway, and have a recent date.

Everest Restricted (Everest D Family) Keyway Family Policy

When ordering a new keying system, include the following:

- Job (end-user) name, city, state and zip code.
- Authorized ship-to address for all products on end-user's official stationery. See **Forms & Examples** for sample letter of authorization.
- Numerically defined specifications for expansion of all branches of the key system.

The factory will assign a "facility code" which will appear on all keys and blanks for this job. When ordering additions to an existing keying system, include the following:

- Job (end-user) name, city, state and zip code.
- Facility code previously assigned by Schlage and stamped on all existing keys and blanks.
- Registry number of the keying system as established by Schlage.
- Letter of authorization on end-user's official stationery is required when:
 - End-user places order with new dealer.
 - Order is to be drop shipped to a different ship-to address than originally authorized by the end-user.See **Forms & Examples** for sample letter of authorization.

For Everest D family and restricted keyways (Quad, Numbered, Reversed) add \$8.90

Construction Core Program Policy

Full size and small format construction cores will be invoiced under standard payment terms. Credit for these cores, less the handling charge, will be issued upon their return to the factory. Please contact customer service for return authorization. Customers may not deduct payment for construction cores prior to completion of their authorized return.

Door Labeling Policy

Non-Master Keyed Orders

Door labeling is NOT provided unless this service is specifically requested in writing.

If requested:

- Door number (and Heading, if specified) is provided on keyed and keyless product.
- "To" and "From" description is NOT provided.
- Lead times will be extended at least 5 additional working days

Master Keyed Orders

Door Labeling is provided as standard.

- Door number (and Heading, if specified) is provided on keyed and keyless product.
- "To" and "From" description is NOT provided.

EXCEPTION: Door labeling is not provided on orders specifying Residential Master Keying (RMK) and/or Residential Construction Keying (RCK). If door labeling is required, Contract Master Keying and/or Contract Construction Keying charges will apply.

Master Key Shipment Policy

Unless otherwise requested on the purchase order, master keys and special function keys furnished on master keyed orders (i.e. control keys, emergency keys, construction keys, extractor tools, lockout keys, etc.) are packed separate from the balance of the order and shipped to the location specified on the order as follows:

| Keyway Family of Master Key System | Standard Method of Shipment |
|---|--|
| <ul style="list-style-type: none"> • Classic Restricted (Numbered, Quad and Reverse) • Classic Primus (Obverse and Quad) • Everest Restricted (B and D Family) • Everest Primus (C and D Family) • Classic Open (Obverse) • Everest Open (C Family) | <p>2-Day Air</p> <ul style="list-style-type: none"> • Tracking number is assigned to shipment • Recipient's signature is required upon delivery <p>Note: Standard shipping policies do not require the signature to be that of the individual to whom the package is addressed. If the addressee's signature is required, please request on the purchase order to "ship master keys via <u>USPS Certified, Return Receipt, Restricted Delivery</u>". Due to its logistical requirements for the carrier and addressee, shipping via certified mail with restricted delivery will delay receipt of master keys and special function keys.</p> |

All goods are shipped F.O.B. factory and become the customer's property when they pass into the hands of the transportation company. Schlage reserves the right to use our choice of carrier.

| |
|--|
| <p>Schlage Commercial products (excluding Krptonite) Default keyway is Everest C123 For other optional keyways, please specify</p> |
| <p>Locknetics Default keyway is Everest C123 For other optional keyways, please specify</p> |
| <p>Portable Security - Kryptonite: Stock products default to C keyway KD For made to order products, please specify the keying and keyway</p> |
| <p>Schlage Residential: (F, B300, Dexter) Default keyway is C</p> |

TERMS & CONDITIONS • Hardware Finishes

Hardware Finishes:

Schlage Lock finishes are durable, top quality finishes obtained by the careful processing of solid brass, bronze, stainless steel or other materials. Where required, a protective clear coating is applied and cured under high temperature. It is important that climatic conditions and usage be taken under consideration when selecting finishes. This is especially true in areas subjected to strong corrosive vapors, humid climate or sea air which, in a short time, may have a damaging effect on metal finishes. The longevity and preservation of the finish appearance is determined by base metal and finishing process. Clear protective coating or other organic finishing applications may require different methods of cleaning and care. As an example, non-clear coated finishes should not be cleaned with soaps or any solvents; organically coated surfaces should periodically be cleaned with a mild, nonabrasive soap and buffed lightly with a clean cloth. The type of base metal and finishing techniques must be considered when applying any cleaning or preservative method. Contact the Schlage Technical Services Department for further information on the care of finished hardware.

In some instances, for customer convenience, the most appropriate BHMA finish symbols are used to indicate similarity of appearance, regardless of base metal or finishing process. A, AL, D, ND, F, FA, H, S, S200-Series and Dexter by Schlage levers are zinc-based material and are plated to match finishes indicated. Finishes of latches, strikes, cylinders/cores, and visible mounting screws, though similar in appearance, may differ from the finish of the trim. Finish numbers in the 600-Series are the BHMA (Builders Hardware Manufacturers Association) industry standard.

Finish Codes and Descriptions:

The nearest old U.S. equivalent code designations are shown in parenthesis ().

| Symbol | Description | Symbol | Description |
|------------|---|-----------|--|
| 505 | Bright Brass | 620 (15A) | ANTIQUÉ PEWTER, Satin Nickel Plated, Blackened, Satin Relieved, Clear Coated |
| 605 (3) | BRIGHT BRASS, Clear Coated | 622 | MATTE BLACK, Coated |
| 606 (4) | SATIN BRASS, Clear Coated | 625 (26) | BRIGHT CHROMIUM PLATED, No Coating |
| 609 (5) | ANTIQUÉ BRASS, Satin Brass, Blackened, Satin Relieved, Clear Coated | 626 (26D) | SATIN CHROMIUM PLATED, No Coating |
| 610 (7) | BRIGHT BRASS, Blackened, Bright Relieved, Clear Coated | 629 (32) | BRIGHT STAINLESS STEEL, No Coating |
| 611 (9) | BRIGHT BRONZE, Clear Coated | 630 (32D) | SATIN STAINLESS STEEL, No Coating |
| 612 (10) | SATIN BRONZE, Clear Coated | 716 | AGED BRONZE, Clear Coated |
| 613* (10B) | OIL RUBBED BRONZE, Oxidized Satin Bronze, Oil Rubbed, No Coating | | |
| 616 (11) | ANTIQUÉ BRONZE, Satin Bronze, Blackened, Satin Relieved, Clear Coated | | |
| 619 (15) | SATIN NICKEL, Satin Nickel Plated, Clear Coated | | |

* Oil rubbed bronze (613) is considered a category "B" finish by ANSI/BHMA and will vary in color when applied to different alloys and forms of base material. 613 will also vary from production lot and additionally from one manufacturer to another. Oil rubbed bronze will wear off over time due to the "rubbed" finishing method that has no protective coating or plating.

Standard Finishes:

Refer to each lock series section for standard finish availability. Standard finish availability varies depending on the function, design and options ordered. Reference **Non-Standard Finishes** in each lock series section for availability of additional non-standard finishes.

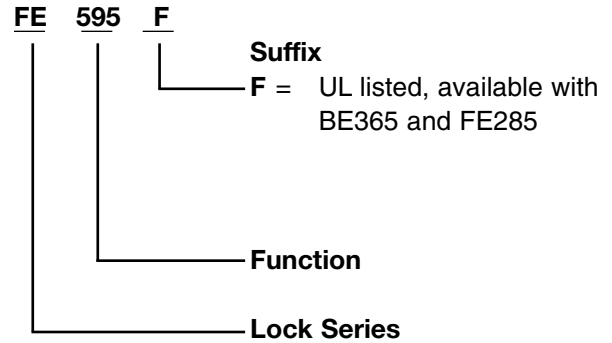
Non-Standard Finishes:

Refer to **Non-Standard Finishes** in each lock series section for non-standard finish availability. One **\$250.00** net non-standard finish handling charge applies to each non-standard finish per order. The Schlage Lock Company reserves the right to refuse any order for non-standard finishes without incurring any obligation. If the specific finish you require is not available as a standard or non-standard finish, refer to the Custom Product Request Process on page **iv**.

Table of Contents

| | | |
|--|-------------------------------|----------|
| Freight Weight | Terms & Conditions | |
| Keypad Lockset Functions | | 2 |
| Complete Keypad Deadbolts | | |
| Complete Keypad Locksets | | 4 |
| FE595 Series Entry Locks | | 4 |
| FE575 Series Entry Locks | | 5 |
| Complete Bottom Half Handlesets | | 6 |
| Parts | | 7 |
| Standard Box Pack Dimensions | | 8 |

Product Identification



Finish Codes and Descriptions*

| Code | | Description |
|-------------|----------|-----------------------|
| 505 | | Lifetime Bright Brass |
| 605 | (US 3) | Bright Brass |
| 609 | (US 5) | Antique Brass |
| 619 | (US 15) | Satin Nickel |
| 620 | (US 15A) | Antique Pewter |
| 625 | (US 26) | Bright Chrome |
| 626 | (US 26D) | Satin Chrome |
| 716 | | Aged Bronzed |

* Non-Standard finishes are not available.

Standard Features*

FE/BE Keypad Locks and Deadbolts

- Certification: ANSI A 156.5-2001 Grade 2 auxiliary locks, ANSI A 156.2-2003 bored locks and latches
- Lock: 1" x 2 1/4" Radius corner faceplate, 7/8" housing diameter, 1/2" throw springlatch with Triple-Option™ square corner, radius corner and circular drive-in faceplates
- Deadbolt: 1" x 2-1/4" radius corner faceplate, 1" Housing Diameter - Requires 1" Edge Bore, 1" throw with Triple-Option™ square corner, radius corner and circular drive-in faceplates
- Latch Strikes: 1-5/8" x 2 1/4", Square and radius corner, full lip, latch strikes
- Deadbolt Strike: 1-1/8" x 2-3/4", round corner, latch strike, strike reinforcer
- Backset: Fits 2-3/8" to 2-3/4" backsets
- Cylinder:** 5-pin solid brass, keyed 5-pin, C keyway, keyed different (KD)
- Door Range: 1-3/8" to 1-3/4"
- Keys: 2 keys, 5-pin, C-Key
- Codes: Pre-set, unique, six-digit programming code, two pre-set unique four-digit user codes (19 code capacity)
- General:
 - Minimum 5-1/2" center-to-center distance between cross bore holes
 - 9-volt battery included with average three-year battery life
 - Rugged chassis and escutcheons
 - Silicone rubber, wear-resistant buttons with LED backlight
 - FCC Part 15
 - CE Mark
 - BE365 available UL LISTED (Box Pack Only)

* Locks are furnished with standard features unless otherwise specified. To order locks with non-standard features, contact a Schlage representative.

** For default key way please see page **TERM-15**.

ANSI A156.5-2001, Grade 2

Schlage BE/FE-Series

KEYPAD DEADBOLT & LOCKSETS

BE365



Keypad Deadbolt

- Deadbolt thrown from outside by keyway turn after pressing Schlage button or by inside thumbturn
- Deadbolt retracted from outside by entering valid user code then rotating keyway turn or by inside thumbturn
- Key can be used to unlock as backup

FE595



Keypad Entry with Flex-Lock

- Flex Locking, switch between unlocked or automatic re-locking
- Unlocked by valid user code from outside
- Inside lever always unlocked
- Key can be used to unlock as back-up



FE285



Lower Half - Front Entry Set

- Combine with BE365 Keypad Deadbolt for Front Entry Set.



FE575



Keypad Entry with Auto-Lock

- Auto Locking, automatically re-locks after 5 seconds
- Unlocked by valid user code from outside
- Inside lever always unlocked
- Key can be used to unlock as back-up



Professional Grade Security and Quality

- Grade 2 ANSI/BHMA certified
- Patented commercial grade clutching motor drive; tested to one million cycles
- Vandal resistant clutching lever and knob design; free spinning deadbolt turn
- Code control; 6-digit programming code required to add and delete user codes
- Warning code sounds after four incorrect codes entered; keypad disabled for 30 seconds
- Mechanical key override; patent pending

Convenience

- Convenient keyless access; no keys to hide, lose or forget
- Pre-set with random 6-digit programming code and two random 4-digit user codes
- 19 user code capacity; 10,000 user code combinations
- Easily programmed right at the keypad; no need to remove inside escutcheon
- Blue LEDs illuminate the keypad on demand
- Reversible levers for left- or right-handed doors
- Emergency exit feature; allows for panic-free exit on FE575 and FE595
- Locks can be re-keyed to match existing locks
- 9-volt alkaline battery included



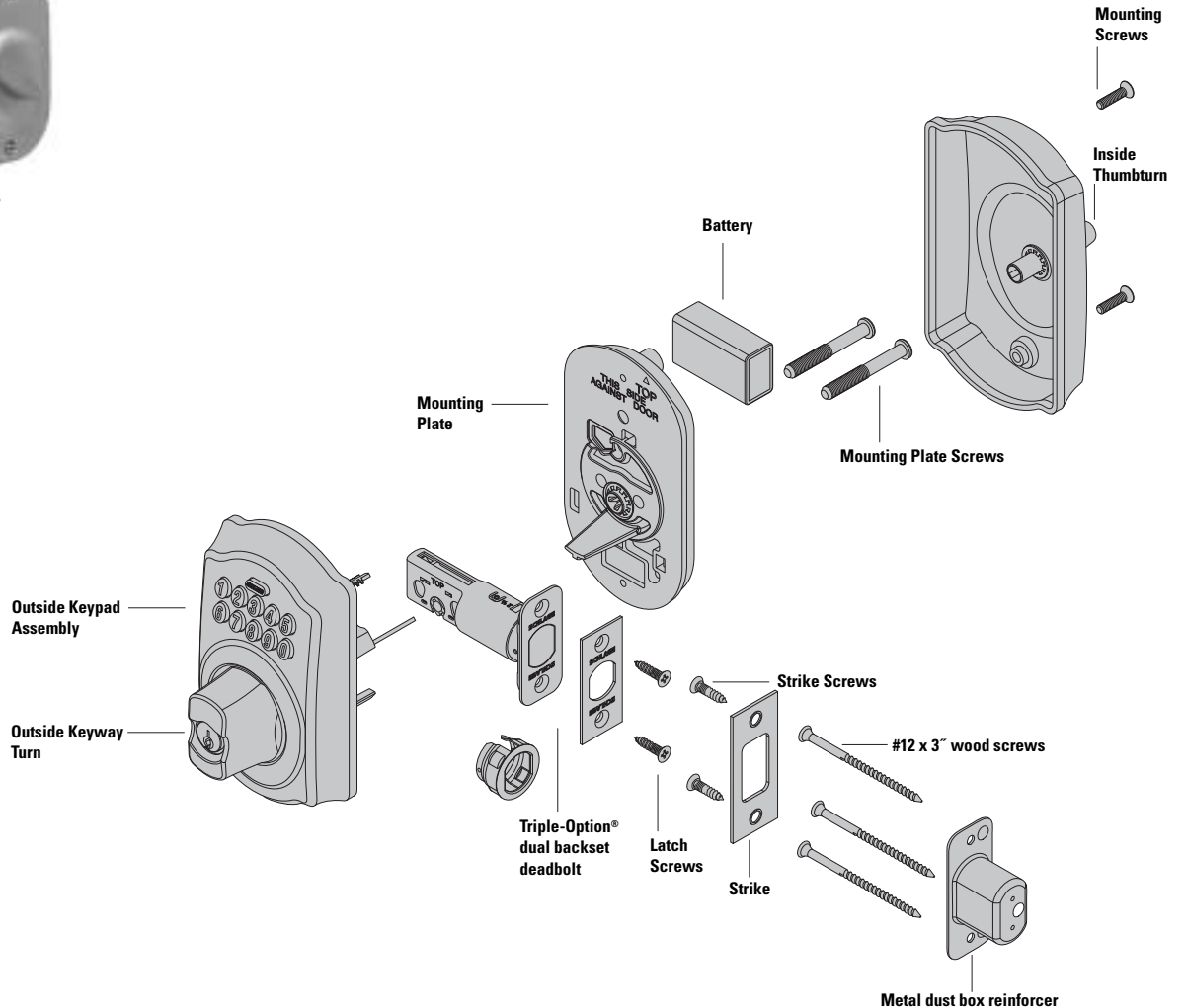
BE-365 Series Camelot



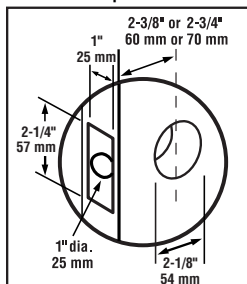
BE-365 Series Plymouth

BE365 Keypad Deadbolt

| Prod. | Function | Escutcheon Style | Finishes | | | | | | | |
|--------|------------------------------|------------------|----------|----------|----------|----------|----------|----------|----------|----------|
| | | | 505/605 | 609 | 613 | 619 | 620 | 625 | 626 | 716 |
| BE365 | Keypad Deadbolt | Camelot (CAM) | \$215.90 | \$226.60 | \$237.50 | \$237.50 | \$237.50 | \$237.50 | \$215.90 | \$237.50 |
| BE365 | Keypad Deadbolt | Plymouth (PLY) | \$215.90 | \$226.60 | \$237.50 | \$237.50 | \$237.50 | \$237.50 | \$215.90 | \$237.50 |
| BE365F | Keypad Deadbolt UL Fire Door | Camelot (CAM) | \$280.90 | \$291.60 | \$302.50 | \$302.50 | \$302.50 | \$302.50 | \$280.90 | \$302.50 |
| BE365F | Keypad Deadbolt UL Fire Door | Plymouth (PLY) | \$280.90 | \$291.60 | \$302.50 | \$302.50 | \$302.50 | \$302.50 | \$280.90 | \$302.50 |



Door Preparation



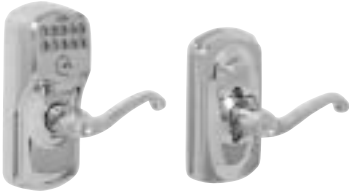
Note: 1" edge bore and 2-1/8" cross bore required.

FE595 Entry Locks

| FE595 Entry Locks | | | | Finishes | | | | | | | | |
|-------------------|------------------------|----------------|----------------|----------|----------|----------|----------|----------|----------|----------|----------|----------|
| Func. | Configurations | Esc. Style | Lever/Knob | 505/605 | 609 | 613 | 619 | 620 | 625 | 626 | 716 | |
| FE595 | Keypad Entry Flex-Lock | Camelot (CAM) | Accent (ACC) | \$251.70 | \$265.20 | \$277.60 | \$277.60 | \$277.60 | \$277.60 | \$251.70 | \$277.60 | |
| | | | Georgian (GEO) | \$237.00 | \$249.80 | --- | \$261.50 | --- | --- | --- | --- | |
| | | Plymouth (PLY) | Accent (ACC) | --- | --- | --- | \$277.60 | \$277.60 | --- | --- | \$277.60 | |
| | | | Elan (ELA) | --- | --- | --- | --- | --- | --- | --- | \$249.70 | --- |
| | | | Flair (FLA) | \$249.70 | \$262.10 | \$274.60 | \$274.60 | \$274.60 | \$274.60 | \$274.60 | \$249.70 | \$274.60 |
| | | | Jazz (JAZ) | --- | --- | --- | --- | --- | --- | --- | \$249.70 | --- |
| Plymouth (PLY) | \$235.00 | --- | --- | --- | --- | --- | --- | --- | --- | | | |



Camelot x Accent



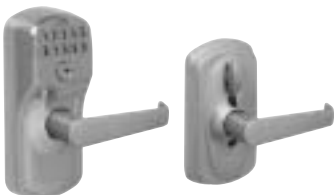
Plymouth x Flair



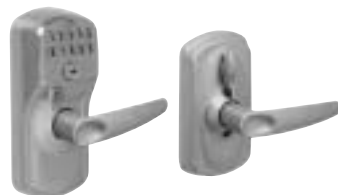
Camelot x Georgian



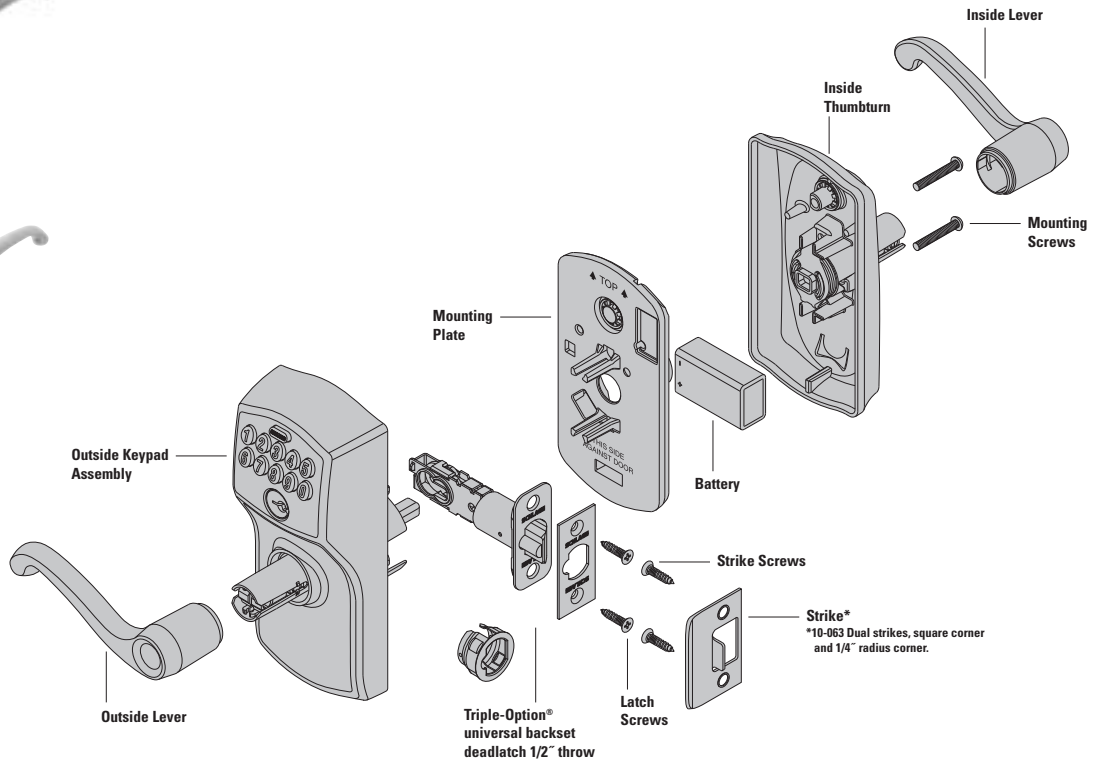
Plymouth x Plymouth



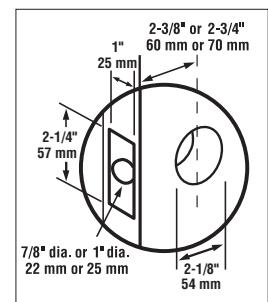
Plymouth x Elan



Plymouth x Jazz



Door Preparation



FE575 Entry Locks

| Func. | Configurations | Esc. Style | Lever/Knob | Finishes | | | | | | | |
|----------------|------------------------|----------------|--------------|----------|----------|----------|----------|----------|----------|----------|----------|
| | | | | 505 | 609 | 613 | 619 | 620 | 625 | 626 | 716 |
| FE575 | Keypad Entry Auto-Lock | Camelot (CAM) | Accent (ACC) | \$217.90 | \$229.70 | \$240.50 | \$240.50 | \$240.50 | \$240.50 | \$217.90 | \$240.50 |
| | | Plymouth (PLY) | Accent (ACC) | --- | --- | --- | \$240.50 | \$240.50 | --- | --- | \$240.50 |
| | | | Elan (ELA) | --- | --- | --- | --- | --- | --- | \$215.90 | --- |
| | | | Flair (FLA) | \$215.90 | \$226.60 | \$237.50 | \$237.50 | \$237.50 | \$237.50 | \$215.90 | \$237.50 |
| | | | Jazz (JAZ) | --- | --- | --- | --- | --- | --- | \$215.90 | --- |
| Plymouth (PLY) | \$202.40 | --- | --- | --- | --- | --- | --- | --- | | | |



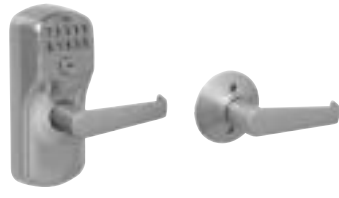
Camelot x Accent



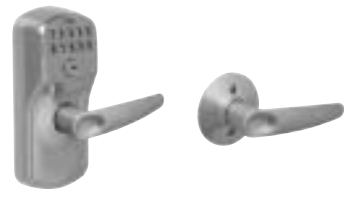
Plymouth x Flair



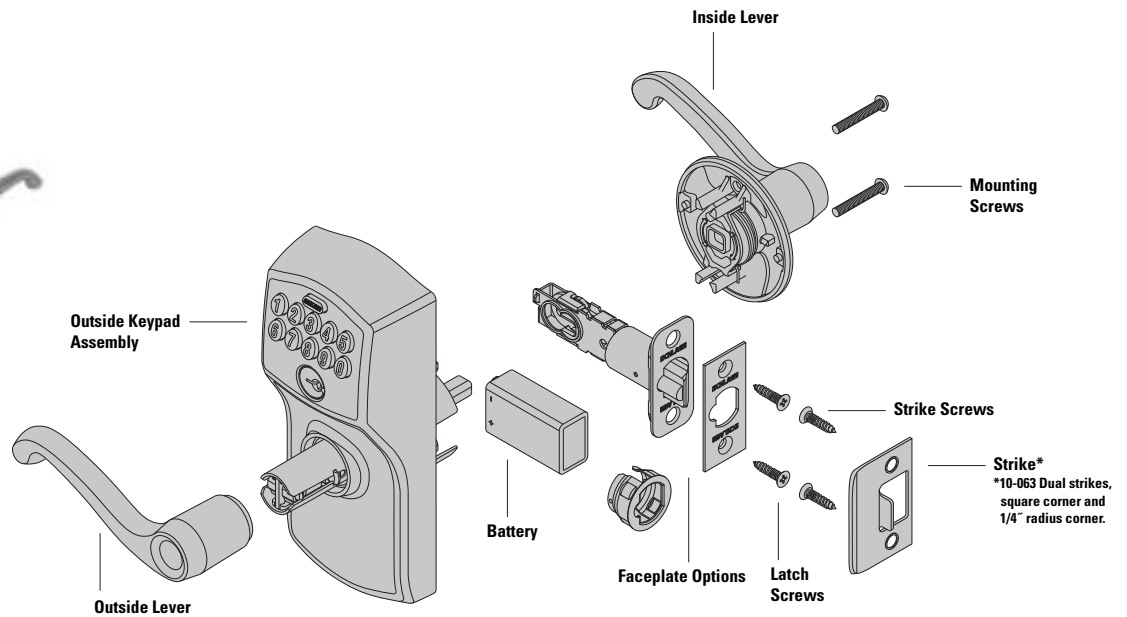
Plymouth x Plymouth



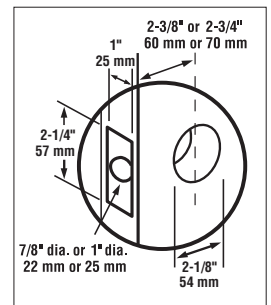
Plymouth x Elan



Plymouth x Jazz



Door Preparation



FE285 Bottom Half Handlesets

| Func. | Configurations | Esc. Style | Lever/Knob | Finish | | | | | | | |
|----------------|---|----------------|----------------|----------|----------|----------|----------|----------|----------|----------|----------|
| | | | | 505 | 609 | 613 | 619 | 620 | 625 | 626 | 716 |
| FE285 | Keypad Front Entry 1/2 Handleset | Camelot (CAM) | Accent* (ACC) | \$192.20 | --- | --- | \$208.90 | \$208.90 | \$208.90 | --- | \$208.90 |
| | | | Georgian (GEO) | \$180.80 | \$184.90 | --- | \$189.70 | \$189.70 | --- | --- | \$189.70 |
| | | Plymouth (PLY) | Accent* (ACC) | --- | --- | --- | \$200.80 | \$200.80 | --- | --- | \$200.80 |
| | | | Flair* (FLA) | \$183.30 | \$187.40 | \$198.90 | \$198.90 | \$198.90 | \$198.90 | \$183.30 | \$198.90 |
| | | | Georgian (GEO) | \$173.70 | --- | --- | \$181.60 | \$181.60 | --- | --- | \$181.60 |
| Plymouth (PLY) | \$171.60 | --- | \$179.20 | --- | --- | --- | --- | --- | | | |
| FE285F | Keypad Front Entry 1/2 Handleset UL Fire Door | Camelot (CAM) | Accent* (ACC) | \$227.20 | --- | --- | \$243.90 | \$243.90 | \$243.90 | --- | \$243.90 |
| | | | Georgian (GEO) | \$215.80 | \$219.90 | --- | \$224.70 | \$224.70 | --- | --- | \$224.70 |
| | | Plymouth (PLY) | Accent* (ACC) | --- | --- | --- | \$235.80 | \$235.80 | --- | --- | \$235.80 |
| | | | Flair* (FLA) | \$218.30 | \$222.40 | \$233.90 | \$233.90 | \$233.90 | \$233.90 | \$218.30 | \$233.90 |
| | | | Georgian (GEO) | \$208.70 | --- | --- | \$216.60 | \$216.60 | --- | --- | \$216.60 |
| | | | Plymouth (PLY) | \$206.60 | --- | \$214.20 | --- | --- | --- | --- | --- |

* Note: Levers must be specified as LH (Left Hand) or RH (Right Hand).

Camelot x Accent



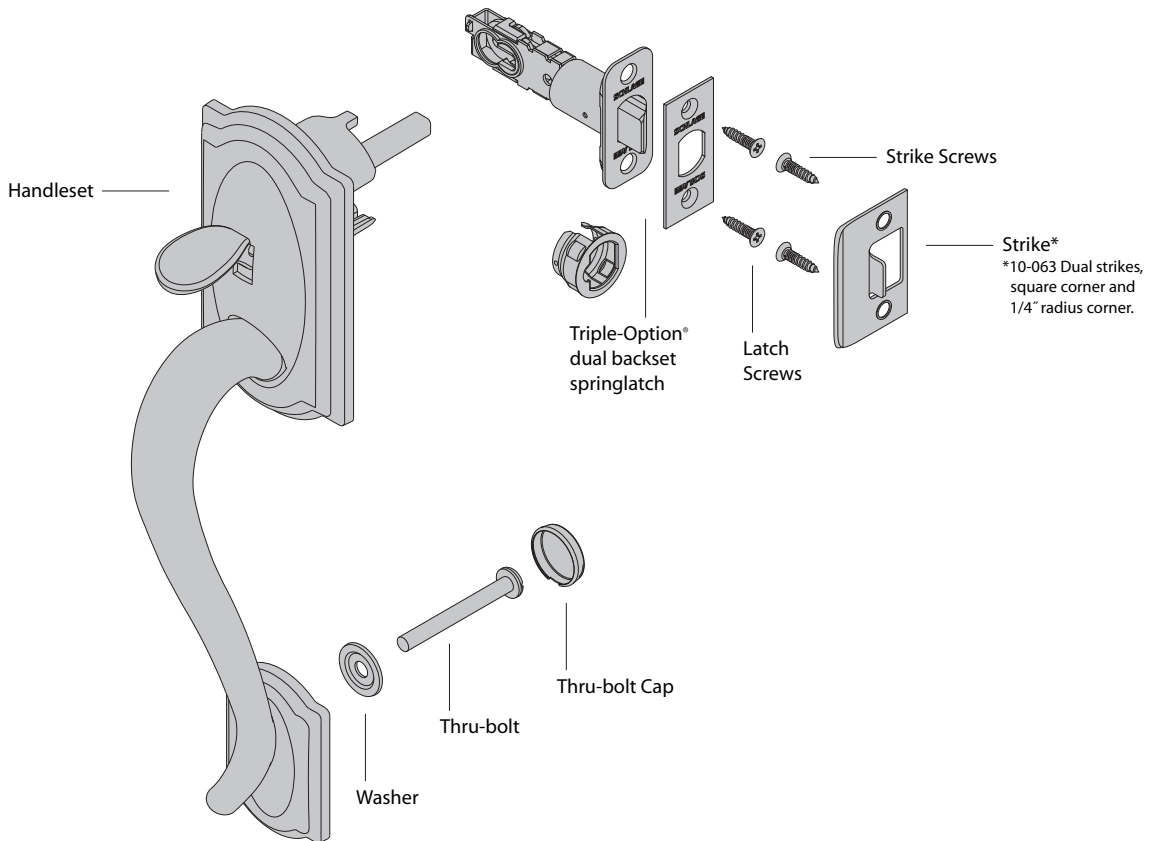
Camelot x Georgian



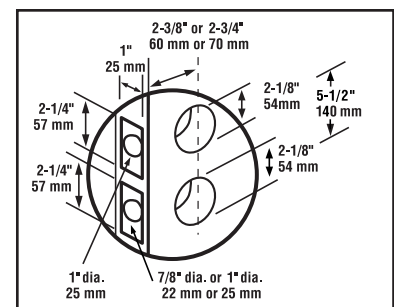
Plymouth x Flair



Plymouth x Plymouth



Door Preparation



| Thick Door Kits | | | |
|-----------------|--|---|------------|
| Part Number | Description | Contents | Price Each |
| 02-007 | BE365 Deadbolt Thick Door Kit -Fits 1-7/8" - 2-1/2" doors | (1) B520-629 (1) B520-630 (1) B520-631 (1) B520-632 (2) B520-633 (2) B520-634 (1) P515-681 | \$22.64 |

| Cylinders | | | |
|-------------|--------------------------------------|---|------------|
| Part Number | Description | Contents | Price Each |
| 23-034 | Keypad Lock Cylinder for FE575/FE595 | (1) 23-035 (1) F605-367 (1) B300-130 | \$38.00 |
| 22-000 | Keypad Deadbolt Cylinder for BE365 | (1) 23-035 (1) B520-606 (1) B520-628 (1) B520-607 (1) B520-608 | \$43.00 |

| Rekeying Parts | | | |
|----------------|----------------------------------|--|------------|
| Part Number | Description | Contents | Price Each |
| 38-030 | Supplemental Parts for Re-Keying | (10) F605-367 (15) B530-628 (15) B520-607 (25) B520-608 (15) F605-349 (10) B520-606 (1) F515-738 | \$38.87 |

| Triple Option Latch | | | |
|---------------------|---|--|------------|
| Part Number | Description | Contents | Price Each |
| 12-287 | Keypad Deadbolt Latch with Triple Option Faceplates | (1) B302-590 (1) B590-308 (2) C604-246 (1) B590-310 | \$30.00 |

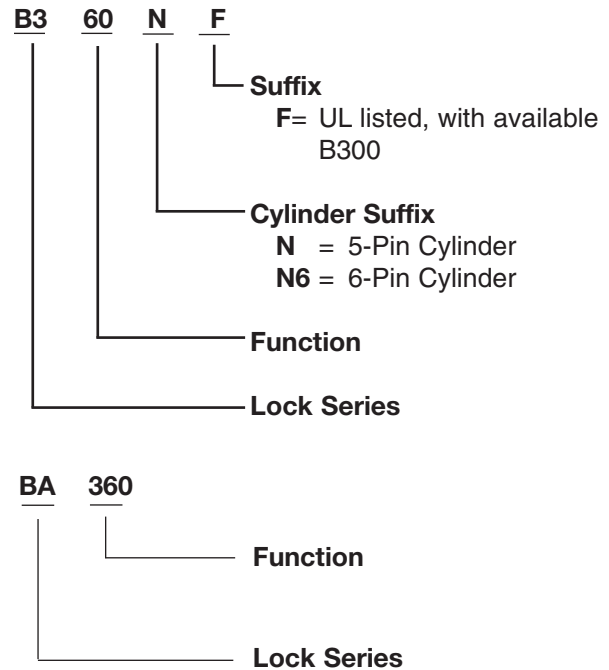
| Screw Packs | | | | |
|-------------|----------------|--|--|------------|
| Part Number | Specify Finish | Description | Contents | Price Each |
| B220-278 | • | Keypad Deadbolt Latch and Strike Screw Pack | (4) C604-246 (3) R525-256 | \$5.40 |
| B220-279 | • | Keypad Deadbolt Mounting Screw Pack | (2) B520-621 (2) B600-100 | \$9.20 |
| F206-440 | • | Keypad Deadbolt Combo and Grip Screw Pack | (2) B520-621 (2) B600-100 (2) F506-000 (8) F506-237 (3) R525-256 | \$18.60 |
| F206-450 | • | Keypad Lock Mounting and Latch Strike Screw Pack – Model 595 | (2) F605-335 (4) F506-237 (1) F506-849 | \$5.50 |
| F206-175 | • | Keypad Lock Mounting and Latch Strike Screw Pack – Model 575 | (2) F506-000 (4) F506-237 | \$4.20 |

BE/FE-Series Keypad Locks

Table of Contents

| | |
|--|-------------------------------|
| Freight Weight | Terms & Conditions |
| Functions | B/BA300-1 |
| Complete Locks | B/BA300-2 |
| B/BA300 Series Deadbolts | B/BA300-3 |
| Parts | B/BA300-4 |
| Deadbolts Strikes | B/BA300-4 |
| Latches-Cylindrical | B/BA300-4 |
| Deadbolt Latches | B/BA300-5 |
| Deadbolt/Springbolt Combinations . . . | B/BA300-5 |
| Screw Packs | B/BA300-6 |
| Miscellaneous Parts | B/BA300-7 |
| Complete Cylinders | See Cylinders Section |
| How To Order | Forms & Examples |

Product Identification



Finish Codes and Descriptions

| Code | | Description |
|------|----------|-----------------------|
| 505 | | Lifetime Bright Brass |
| 605 | (US 3) | Bright Brass |
| 609 | (US 5) | Antique Brass |
| 612 | | Satin Bronze |
| 613 | (US 10B) | Oil-Rubbed Bronze |
| 619 | (US 15) | Satin Nickel |
| 620 | (US 15A) | Antique Pewter |
| 622 | (US 19) | Matte Black |
| 625 | (US 26) | Bright Chrome |
| 626 | (US 26D) | Satin Chrome |
| 716 | | Aged Bronzed |

Standard Features*

| | |
|---------------|--|
| Certification | ANSI/BHMA Certified A156.5-2001, Grade 2 auxiliary lock |
| Deadbolt | 1" x 2 1/4", Radius corner, 7/8" housing diameter, 1" throw |
| Strike | 1 1/8" x 2 3/4", Square corner |
| Backset | Universal for 2 3/8" to 2 3/4" |
| Cylinder | 5-Pin solid brass, keyed 5-pin, C keyway, keyed different (KD) |
| Door Range | 1 3/8" – 1 3/4" |
| Keys | Two nickel silver cut keys per lock, 5-Pin, C section |
| Reinforcement | Door frame strike reinforcer with 3" screws |
| Trim Ring | 7/8" Wrought brass, reinforced with security insert |

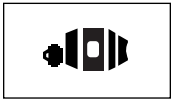
* Locks are furnished with standard features unless otherwise specified. To order locks with non-standard features, specify exact features desired.

ANSI A156.5, 1992, Grade 2

Bored Deadbolt Locks

SCHLAGE ANSI

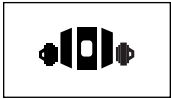
B/BA360N E2152



Single Cylinder Deadbolt Lock

- Deadbolt thrown or retracted by key from outside or by inside turn unit.
- Bolt automatically deadlocks when fully thrown.

B/BA362N E2142



Double Cylinder Deadbolt Lock*

- Deadbolt thrown or retracted by key from either side.
- Bolt automatically deadlocks when fully thrown.

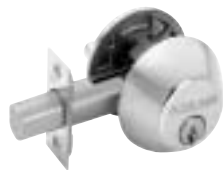
B380 E2192



Door Bolt

- Deadbolt thrown or retracted by turn unit only.
- No outside trim. Bolt automatically deadlocks when fully thrown.

* **Caution:** Double cylinder locks on residences and any door in any structure which is used for egress are a life safety hazard in times of emergency and their use is not recommended. Installation should be in accordance with existing codes only.



B360

| B300 Deadbolt | | Finishes | | | | | | | | | | |
|---------------|--------------------------|----------|---------|---------|---------|---------|---------|---------|---------|---------|---------|---------|
| | | 505 | 605 | 609 | 613 | 619 | 620 | 622 | 625 | 626 | 716 | |
| B360 | Single Cylinder Deadbolt | \$52.30 | \$46.70 | \$51.40 | \$59.70 | \$54.00 | \$54.00 | \$54.00 | \$54.00 | \$54.00 | \$54.00 | \$54.00 |
| B362 | Double Cylinder Deadbolt | \$72.70 | \$64.80 | \$71.20 | \$82.80 | \$74.90 | \$74.90 | \$74.90 | \$74.90 | \$74.90 | \$74.90 | \$74.90 |
| B380 | Turnbolt | - | \$30.10 | \$32.20 | \$45.70 | \$41.30 | \$41.30 | \$41.30 | \$41.30 | - | \$41.30 | \$41.30 |



BA360



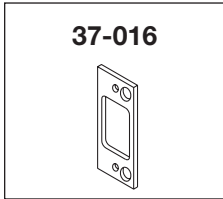
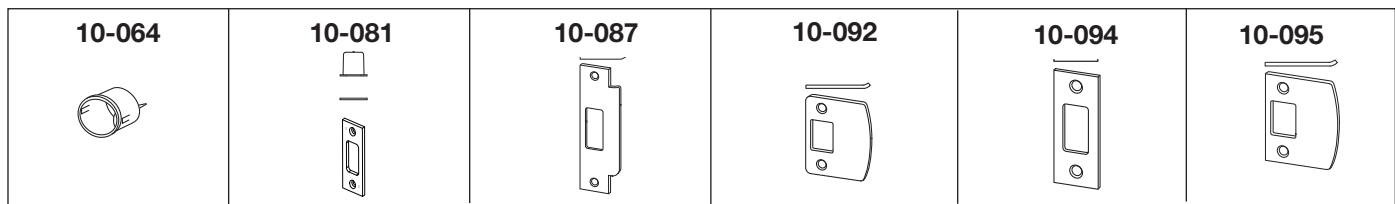
Single Cylinder,
Inside Thumbturn



Double Cylinder,
Inside Cylinder

| BA300 Deadbolt | | Finishes | | | | | | | | | | |
|----------------|--------------------------|----------|---------|---------|---------|---------|---------|---------|---------|---------|---------|---------|
| | | 505/605 | 605 | 609 | 612 | 613 | 619 | 620 | 622 | 625 | 626 | 716 |
| BA360 | Single Cylinder Deadbolt | \$60.40 | \$53.90 | \$59.30 | \$62.20 | \$68.80 | \$62.20 | \$62.20 | \$62.20 | \$62.20 | \$62.20 | \$62.20 |
| BA362 | Double Cylinder Deadbolt | \$79.70 | \$71.00 | \$78.10 | \$82.10 | \$82.10 | \$82.10 | \$82.10 | \$82.10 | \$82.10 | \$82.10 | \$82.10 |

- Notes:**
- 1) Keyed locks are furnished KD, 5-Pin C Section, unless otherwise indicated.
 - 2) 6-Pin cylinders are available at no extra charge. Specify N6 suffix. Example: B360N6.
 - 3) 6-Pin cylinders are not available for doors under 1 5/8" thick.
 - 4) Add \$6.00 for UL Listed B360, BA360, B362, BA362 and B380 functions.

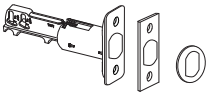
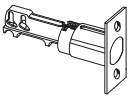

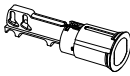
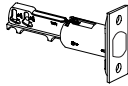
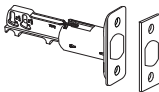


| Deadbolt Strikes | | | | | |
|-------------------------|----------------|---|------------|-------------------|------------|
| Part Number | Specify Finish | Description | Lip Length | Add to Lock Price | Price Each |
| 10-064 | • | Circular drive-in, thimble-strike, 1 3/16" diameter, 626 only | — | N/C | 9.70 |
| 10-081 | • | Square Corner, box, 1 1/8" x 2 3/4" | — | N/C | 9.20 |
| 10-087 | • | ANSI, box, 1 1/4" x 4 7/8" | 1 3/16" | 4.30 | 13.20 |
| 10-092 | • | 1/4" Radius round corner, full lip, no box, 1 5/8" x 2 1/4" | 1 1/8" | N/C | 6.20 |
| 10-094 | • | Square corner, no box, 1 1/8" x 2 3/4" | — | N/C | 10.00 |
| 10-095 | • | Square corner, full lip, no box, 1 5/8" x 2 1/4" | 1 1/8" | N/C | 6.20 |
| B520-283 | | Box for standard strike, plastic | — | — | 9.20 |
| 37-016 | | Door frame strike reinforcer | — | — | 9.20 |

- Notes:** 1) Locks are furnished with standard components unless otherwise specified
 2) When ordering non-standard options Add to Lock Price to Complete Lock Price
 3) List prices when ordering strikes as separate parts

| Latches - Cylindrical | | | | | | | |
|------------------------------|-----------|----------------|---------|---|---------|-------------------|------------|
| Part Number | | Specify Finish | Backset | Description | Hsg Dia | Add to Lock Price | Price Each |
| Springlatch | Deadlatch | | | | | | |
| | 39-030* | • | — | Rabbeted latch and strike kit, 605 and 626 only Kit includes: B520-026 Spacer, rabbeted latch B502-048 Strike shield, rab B502-820 8x1.25 screws B502-822 6x0.75 screws P513-025 Instruction Sheet P509-481 Poly Bag | — | 31.80 | 31.80 |

* This kit adapts square corner latches and 2 3/4" high square corner strikes to 1/2" rabbeted door and frame preparations.
 Link 41-005 requires reinforcement when used in metal doors
 Link 41-005 installed in 1" latch hole require one G506-815 sleeve.

| | | | | | |
|--|--|--|--|---|--|
| 12-300  <i>Triple-Option</i> | 12-301  <i>Square Corner</i> | 12-302  <i>Radius Corner</i> | 12-303  <i>Drive-in</i> | 12-306  <i>Square Corner (5")</i> | 12-313  <i>Dual Option</i> |
|--|--|--|--|---|--|

| Deadbolt Latches | | | | | | |
|------------------|----------------|------------------|-------------------------------------|------------|-------------------|------------|
| Part Number | Specify Finish | Backset | Description | Hsg Dia | Add to Lock Price | Price Each |
| 12-300 | • | 2 3/8" or 2 3/4" | Triple-option | 7/8" or 1" | N/C | \$22.60 |
| 12-301 | • | 2 3/8" or 2 3/4" | Square corner, 1" x 2 1/4" | 7/8" | N/C | \$12.70 |
| 12-302 | • | 2 3/8" or 2 3/4" | 1/4" Radius corner, 1" x 2 1/4" | 1" | N/C | \$12.70 |
| 12-303 | • | 2 3/8" or 2 3/4" | Circular, drive-in, 626 finish only | 1" | N/C | \$12.70 |
| 12-304* | • | 2 3/8" or 2 3/4" | Square corner, 1 1/8" x 2 1/4" | 7/8" | N/C | \$14.50 |
| 12-306 | • | 5" | Square corner, 1" x 2 1/4" | 7/8" | \$5.80 | \$20.20 |
| 12-313 | • | 2 3/8" or 2 3/4" | Dual option, 1" x 2 1/4" | – | N/C | \$22.60 |

| Deadbolt/Springlatch Combinations | | | | | | | | |
|-----------------------------------|----------------|------------------|--------------------------------------|--------|----------|------------|-------------------|------------|
| Part Number | Specify Finish | Backset | Description | Latch | Deadbolt | Hsg Dia | Add to Lock Price | Price Each |
| 16-235 | • | 2 3/8" or 2 3/4" | Triple-Option | 16-210 | 12-300 | 7/8" or 1" | N/C | \$36.60 |
| 16-236 | • | 2 3/8" or 2 3/4" | Square corner, 1" x 2 1/4" | 16-200 | 12-301 | 7/8" | N/C | 26.20 |
| 16-237 | • | 2 3/8" or 2 3/4" | 1/4" Radius corner, 1" x 2 1/4" Std. | 16-201 | 12-302 | 7/8" | N/C | 26.20 |
| 16-238 | • | 2 3/8" or 2 3/4" | Circular, drive-in, 626 finish only | 16-202 | 12-303 | 1" | N/C | 27.50 |
| 16-239* | • | 2 3/8" or 2 3/4" | Square corner, 1 1/8" x 2 1/4" | 16-200 | 12-304 | 1" | N/C | 27.40 |
| 16-242 | • | 2 3/8" or 2 3/4" | Dual Radius corner | 16-233 | 12-313 | 7/8" | N/C | 36.60 |

* Includes (2) A501-878 faceplate adapters and (2) G506-815 housing sleeves.

- Notes:**
- 1) Locks are furnished with standard component unless otherwise specified
 - 2) When ordering latches a separate parts use "Price Each"
 - 3) When ordering non-standard options add indicated price to complete lock price
 - 4) Failure to use the UL deadlatches with the lockset will invalidate UL listing and the ANSI Grade 2 certification

| Screw Packs (Order in Multiples of 100) | | | | | | |
|--|-----------------------|--|--|------------------|------------------|-------------------|
| Part Number | Specify Finish | Description | Door Thickness | Type | Size | Price Each |
| B300-112 | • | Mounting screw, cylinder, F360, F393 | 1 5/8" - 1 7/8" | POH machine | 1/4"-28 x 2 1/8" | \$1.20 |
| B300-113 | • | Mounting screw, cylinder, F360, F393 | Over 1 7/8"- 2" | POH machine | 1/4"-28 x 2 5/8" | 1.20 |
| B300-208 | • | Drive pin, F362 | – | – | – | 1.20 |
| B300-212 | • | Mounting screw, cylinder, F362 | 1 5/8" - 1 7/8" | SH machine | 1/4"-28 x 2 3/4" | 1.20 |
| B300-213 | • | Mounting screw, cylinder, F363 | Over 1 7/8"- 2" | SH machine | 1/4"-28 x 3 1/4" | 1.20 |
| B502-822 | • | Circular strike | – | POH wood | 6 x 3/4" | 0.60 |
| ER90-087 | • | Screw handleset, PAR and PLY, all functions | – | POH wood/machine | 8-32 x 1" | 0.60 |
| F506-000 | • | Mounting screw, chassis, all functions | 1 3/8" - 1 7/8" (1 5/8" - 1 7/8" for F300-series) | RPH Mach | 8-32 x 7/8" | 0.50 |
| F506-455 | • | Screws, escutcheons, all functions | – | POH wood/machine | 8-32 x 1 1/4" | 0.60 |
| F506-826 | • | Thru-bolt, F360, F362, F393 | – | Screw Post | – | 1.20 |
| F605-232 | | Washer F360, F362, F393 | – | – | – | 0.50 |
| F605-256 | | Screw, handleset BOW & CEN, F360, F362, F393 | 1 5/8" - 2" | SH machine | 1/4"-20 x 2 1/2" | 0.50 |
| F605-273 | • | Thru-bolt, PAR & PLY, F360, F362, F393 | – | Screw Post | – | 1.20 |

| Screw Packs | | | | | |
|--------------------|-----------------------|-------------------------------|--|---|-------------------|
| Part Number | Specify Finish | Description | Door Thickness | Content | Price Each |
| B220-112 | • | Keyed, single cylinder, B360N | 5pin: 1 3/8" - 1 3/4" 6pin: 1 5/8" - 1 3/4" | (2)B300-112 | \$4.80 |
| B220-115 | | Keyed, double cylinder, B362N | 5pin: 1 3/8" - 1 3/4" 6pin: 1 5/8" - 1 3/4" | (2)B300-212 (2)B300-208 | 7.50 |
| F206-412 | • | Screw Packs - FA360 | 1 5/8" - 2" | (2)B300-112 (2)B300-113 (8)F506-237 (2)F506-000 | 14.20 |
| F206-413 | • | Screw Packs - FA362 | 1 5/8" - 2" | (2)B300-213 (2)B300-212 (8)F506-237 (2)F506-000 (2)B300-208 | 24.40 |
| F206-414 | • | Screw Packs - FA393 | 1 5/8" - 2" | (2)B300-112 (2)B300-113 (2)F506-000 | 7.20 |

| Miscellaneous Parts | | | |
|----------------------------|-----------------------|---|-------------------|
| Part Number | Specify Finish | Description | Price Each |
| A501-565* | | Reinforcer for 1 3/8" thick non-reinforced metal doors. Fits both 7/8" and 1" diameter housing (2 required per lock) | \$6.70 |
| A501-566* | | Reinforcer for 1 3/4" thick non-reinforced metal doors. Fits both 7/8" and 1" diameter housing (2 required per lock) | 6.70 |
| A501-878 | | Faceplate adapter to adapt 1" faceplate to 1 1/8" door preparation (Order in Multiples of 100) | 0.50 |
| B202-547 | | Thick door kit, Single cylinder deadbolts, 2" - 2 1/2" | 9.20 |
| B202-549 | | Thick door kit, Double cylinder deadbolts and handlesets, 2" - 2 1/2" | 11.40 |
| B300-114 | | Adapter ring for 2 1/8" door preparation - FA300 Series | 7.10 |
| F206-437 | | Thick door kit, Single cylinder handlesets, 2" - 2 1/2" | 11.40 |
| G506-815 | | 1" Long latch housing sleeve to adapt 7/8" diameter housing to 1" bore | 4.70 |

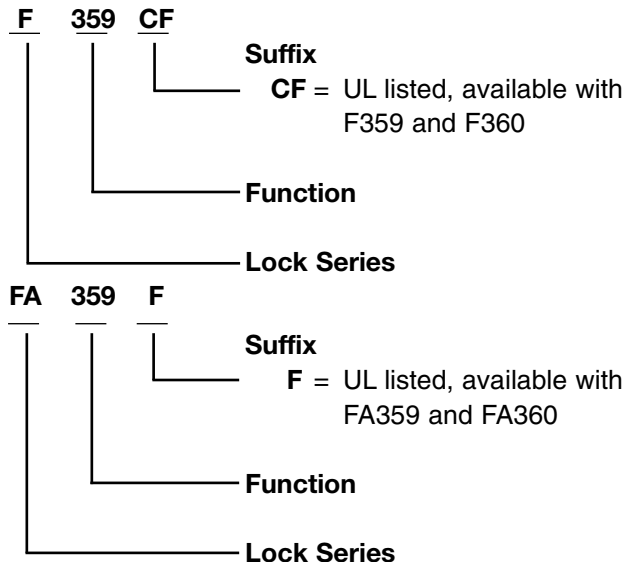
* Specify door thickness, includes A501-567 and A501-565, or A501-566

- Notes:**
- 1) 5" Backset extension links installed in 1" latch holes require one G506-815 sleeve to join latch and link
 - 2) Links installed in metal doors require reinforcement

Table of Contents

| | |
|--|-------------------------------|
| Freight Weight | Terms & Conditions |
| Handleset Functions | F/FA-2 |
| Complete Locks | F/FA-3 |
| F-Series Single Cylinder | F/FA-3 |
| F-Series Double Cylinder | F/FA-4 |
| FA-Series Single Cylinder | F/FA-6 |
| FA-Series Double Cylinder | |
| Two-Piece Interior | F/FA-8 |
| FA-Series Double Cylinder | |
| One-Piece Interior | F/FA-9 |
| Parts | F/FA-19 |
| Latch Strikes, Handleset Strikes | F/FA-19 |
| Deadbolt Latches, Springlatches | F/FA-20 |
| Deadbolt/Springbolt Combinations | F/FA-21 |
| Screw Packs | F/FA-22 |
| Miscellaneous Parts | F/FA-213 |
| Complete Cylinders | See Cylinders Section |
| How To Order | Forms & Examples |

Product Identification



Finish Codes and Descriptions*

| Code | Description |
|--------------|-----------------------|
| 505 | Lifetime Bright Brass |
| 605 (US 3) | Bright Brass |
| 609 (US 5) | Antique Brass |
| 612 (US10) | Satin Bronze - (x) |
| 613 (US 10B) | Oil Rubbed Bronze |
| 619 (US 15) | Satin Nickel |
| 620 (US 15A) | Antique Pewter |
| 622 (US 19) | Matte Black |
| 625 (US 26) | Bright Chrome |
| 626 (US 26D) | Satin Chrome |
| 716 | Aged Bronze |

* *Non-Standard finishes are not available.*
 (x) *Discontinued - Available while supplies last.*

Standard Features*

F/FA Entrance Handlesets

| | |
|---------------|---|
| Certification | ANSI A156.5, 1992, Grade 2. Auxiliary lock. Available UL Listed for 3 hour fire door |
| Latch | 1" x 2 1/4", 1/4" Radius corner faceplate, 7/8" housing diameter, 1/2" throw springlatch |
| Deadbolt | 1" x 2 1/4" Radius corner faceplate, 7/8" housing diameter, 1" throw |
| Strikes | 1 5/8" x 2 1/4", 1 ea. Radius corner and square corner, full lip, no box latch strike & 1 1/8" square corner only, no box deadbolt strike |
| Reinforcement | Door frame reinforcer with 3" screws |
| Backset | Universal backset latch & deadbolt, fits either 2 3/8" or 2 3/4" backsets |
| Cylinder | F-Series: 6-Pin solid brass, keyed 5-Pin, C keyway, keyed different (KD) FA-Series: 5-Pin solid brass, keyed 5-Pin, C-Keyway, keyed different (KD) |
| Door Range | 1 5/8" – 1 3/4". Packed with extra mounting screws to accommodate 2" doors** |
| Keys | Two cut keys per lock, 5-Pin, C section |
| Adjustable | |
| Through-Bolt | Adjustable through-bolt can move up and down 1-1/2" to fit a variety of pre-existing holes |

* *Locks are furnished with standard features unless otherwise specified. To order locks with non-standard features specify non-standard feature desired.*

** *Thick door kit available for door thicknesses up to 2 1/2". See Parts section for item number and pricing.*

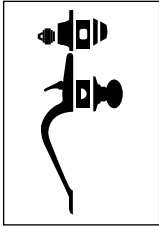
F/FA-Series Handlesets • Functions

ANSI A156.2, Series 4000, Grade 2

Schlage F/FA-Series

ENTRANCE HANDLESET

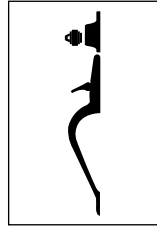
F360/FA360



Entrance Lock

- Deadbolt thrown or retracted by key from outside or by inside turn unit.
- Latch retracted by thumbpiece from outside or by inside knob/lever.

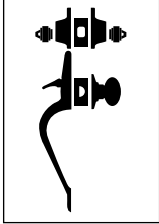
F358/FA358



Exterior Entrance Lock

- Outside grip and deadbolt trim of F360/FA360.

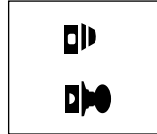
F362/FA362



Double Cylinder Entrance Lock*

- Deadbolt thrown or retracted by key from either side.
- Latch retracted by thumbpiece from outside or by inside knob/lever.

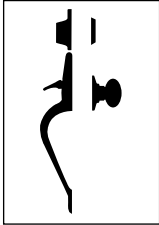
F359/FA359



Interior Entrance Lock

- Inside trim, deadbolt, latch, screws and strikes of F360/FA360.

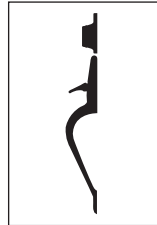
F393/FA393



Outside and Inside Dummy Trim

- For use as door pull or as dummy trim on inactive leaf of pair of doors.
- Fixed thumbpiece and inside knob/lever.
- Dummy cylinder with inside plate.

F392/FA392



Dummy Trim, Outside

- Outside of F393/FA393.
- Includes entrance handleset and dummy cylinder.

F394/FA394



Dummy Trim, Inside

- Inside of F393/FA393.
- Includes inside knob/lever, blank rose and screws.

* **Caution:** Double cylinder locks on residences and any door in any structure which is used for egress are a life safety hazard in times of emergency and their use is not recommended. Installation should be in accordance with existing codes only.



Addison (ADD)



Bowman (BOW)



Camelot (CAM)



Century (CEN)



Parthenon (PAR)



Plymouth (PLY)



| | | Finishes | | | | | | | | | | | |
|-------|-------------------------------------|--|----------|----------|----------|----------|----------|----------|----------|----------|----------|----------|----------|
| Prod. | Function | DESIGN | 505 | 605 | 609 | 613 | 619 | 620 | 622 | 625 | 626 | 716 | |
| F360 | Single Cylinder, Complete Handleset | — For F360 pricing, add F358 outside design pricing and F359 inside design pricing | | | | | | | | | | | |
| F358 | Single Cylinder, Outside | Bowman | \$161.00 | \$131.00 | \$145.00 | --- | --- | --- | --- | --- | --- | --- | |
| | | Camelot | \$161.00 | \$131.00 | \$145.00 | \$184.00 | \$166.00 | \$166.00 | \$166.00 | \$166.00 | --- | \$166.00 | |
| | | Century | \$161.00 | \$131.00 | \$145.00 | --- | --- | --- | --- | --- | \$166.00 | \$166.00 | --- |
| | | Parthenon | --- | --- | \$145.00 | --- | --- | --- | --- | --- | --- | --- | --- |
| | | Plymouth | \$154.00 | \$125.00 | \$137.00 | \$175.00 | \$158.00 | \$158.00 | --- | --- | \$158.00 | \$158.00 | \$158.00 |
| | | Addison | \$166.00 | \$135.00 | \$150.00 | --- | \$173.00 | \$173.00 | \$173.00 | \$173.00 | \$173.00 | --- | --- |
| F359 | Single Cylinder, Inside** | Accent (ACC)* | --- | \$88.20 | \$97.00 | \$113.00 | \$102.00 | \$102.00 | \$102.00 | \$102.00 | \$102.00 | \$102.00 | \$102.00 |
| | | Avanti (AVA)* | --- | \$88.20 | \$97.00 | \$113.00 | \$102.00 | \$102.00 | \$102.00 | --- | \$102.00 | --- | \$102.00 |
| | | Avila (VLA) | --- | \$88.20 | \$97.00 | --- | \$102.00 | --- | --- | --- | \$102.00 | --- | \$102.00 |
| | | Manhattan (MNH) | --- | \$88.20 | --- | --- | \$102.00 | --- | --- | --- | \$102.00 | \$102.00 | --- |
| | | Elan (ELA) | --- | \$86.40 | \$95.10 | --- | --- | --- | --- | --- | \$99.80 | \$99.80 | --- |
| | | Flair (FLA)* | --- | \$86.40 | \$95.10 | \$110.00 | \$99.80 | \$99.80 | --- | --- | \$99.80 | \$99.80 | \$99.80 |
| | | Jazz (JAZ) | --- | \$86.40 | \$95.10 | --- | \$99.80 | --- | --- | --- | --- | \$99.80 | --- |
| | | Bell (BEL) | --- | \$74.40 | \$75.80 | --- | --- | --- | --- | --- | --- | \$79.70 | --- |
| | | Georgian (GEO) | --- | \$76.50 | \$78.20 | --- | \$82.20 | \$82.20 | \$82.20 | \$82.20 | \$82.20 | --- | \$82.20 |
| | | Orbit (ORB) | --- | \$84.00 | \$85.70 | \$99.50 | \$90.00 | \$90.00 | --- | --- | \$90.00 | \$90.00 | --- |
| | | Plymouth (PLY) | --- | \$74.40 | --- | \$88.10 | \$79.70 | \$79.70 | \$79.70 | \$79.70 | \$79.70 | \$79.70 | \$79.70 |
| | | Siena (SIE) | --- | \$84.90 | \$86.50 | \$104.00 | \$93.70 | \$93.70 | --- | --- | \$93.70 | --- | \$93.70 |
| F393 | Dummy, Complete Handleset | — For F393 pricing, add F392 outside design pricing and F394 inside design pricing | | | | | | | | | | | |
| F392 | Dummy, Outside | Bowman | \$140.00 | \$124.00 | \$136.00 | --- | --- | --- | \$154.00 | --- | --- | --- | |
| | | Camelot | \$140.00 | \$124.00 | \$136.00 | \$170.00 | \$154.00 | \$154.00 | \$154.00 | \$154.00 | --- | \$154.00 | |
| | | Century | \$140.00 | \$124.00 | \$136.00 | --- | --- | --- | --- | --- | \$154.00 | \$154.00 | --- |
| | | Parthenon | --- | --- | \$136.00 | --- | --- | --- | --- | --- | --- | --- | --- |
| | | Plymouth | \$134.00 | \$118.00 | \$130.00 | \$164.00 | \$149.00 | \$149.00 | --- | --- | \$149.00 | \$149.00 | \$149.00 |
| | | Addison | \$146.00 | \$128.00 | \$141.00 | --- | \$159.00 | \$159.00 | \$159.00 | \$159.00 | \$159.00 | --- | --- |
| F394 | Dummy, Inside | Accent (ACC)* | --- | \$52.90 | \$58.20 | \$66.40 | \$60.00 | \$60.00 | \$60.00 | \$60.00 | \$60.00 | \$60.00 | \$60.00 |
| | | Avanti (AVA)* | --- | \$52.90 | \$58.20 | \$66.40 | \$60.00 | \$60.00 | --- | \$60.00 | --- | \$60.00 | |
| | | Avila (VLA) | --- | \$52.90 | \$58.20 | \$66.40 | \$60.00 | \$60.00 | --- | \$60.00 | --- | \$60.00 | |
| | | Manhattan (MNH) | --- | \$52.90 | --- | --- | \$60.00 | --- | --- | --- | \$60.00 | \$60.00 | --- |
| | | Elan (ELA) | --- | \$50.90 | \$56.00 | --- | --- | --- | --- | --- | \$57.60 | \$57.60 | --- |
| | | Flair (FLA)* | --- | \$50.90 | \$56.00 | \$63.70 | \$57.60 | \$57.60 | --- | --- | \$57.60 | \$57.60 | \$57.60 |
| | | Jazz (JAZ) | --- | \$50.90 | \$56.00 | --- | \$57.60 | --- | --- | --- | --- | \$57.60 | --- |
| | | Bell (BEL) | --- | \$39.00 | \$42.90 | --- | --- | --- | --- | --- | --- | \$44.20 | --- |
| | | Georgian (GEO) | --- | \$40.10 | \$44.20 | --- | \$45.40 | \$45.40 | \$45.40 | \$45.40 | \$45.40 | --- | \$45.40 |
| | | Orbit (ORB) | --- | \$45.90 | \$46.80 | \$54.30 | \$49.10 | \$49.10 | --- | --- | \$49.10 | \$49.10 | --- |
| | | Plymouth (PLY) | --- | \$39.00 | --- | \$48.90 | \$44.20 | \$44.20 | \$44.20 | \$44.20 | \$44.20 | \$44.20 | \$44.20 |
| | | Siena (SIE) | --- | \$52.60 | \$53.70 | \$62.30 | \$56.40 | \$56.40 | --- | --- | \$56.40 | --- | \$56.40 |

* Specify door hand when ordering Accent, Avanti, Flair and Manhattan designs

** All F359, Inside Trim, is compatible with FA358 handlesets.





- Notes:**
- 1) Add \$11.50 for UL Listed F359 and F360.
 - 2) F358 outside of F360 includes entrance handleset and cylinder.
 - 3) F359 inside of F360 includes inside knob/lever, deadbolt, thumbturn, latch, screws, and strikes.
 - 4) F392 outside of F393 includes entrance handleset and dummy cylinder.
 - 5) F394 inside of F393 includes inside knob/lever, blank rose, and screws.
 - 6) Keying: 6-pin solid brass, keyed 5-pin, C keyway, KD unless otherwise specified.
 - 7) Half-sets of F300-series entrance handlesets qualify for case quantity discounts.



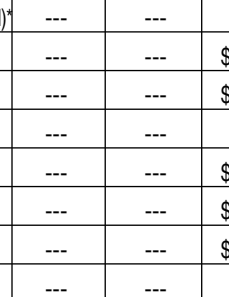
Avila (VLA) lever is only available in F359 and F394.

F-Series Handlesets • Complete Locks

Double Cylinder

| | | | Finishes | | | | | | | | | | |
|-------------|--|------------------|----------|----------|----------|----------|----------|-------------|----------|-------------|----------|----------|----------|
| Prod. | Function - O/S Design | I/S DESIGN | 505 | 605 | 609 | 613 | 619 | 620 | 622 | 625 | 626 | 716 | |
| F362 | Double Cylinder, Complete Handleset  Addison (ADD) | Accent (ACC)* | \$284.00 | --- | --- | --- | \$306.00 | \$306.00 | --- | --- | --- | \$306.00 | |
| | | Avanti (AVA)* | --- | --- | --- | --- | \$306.00 | \$306.00 | --- | --- | --- | \$306.00 | |
| | | Manhattan (MNH)* | --- | --- | --- | --- | --- | --- | --- | --- | --- | --- | |
| | | Elan (ELA) | --- | --- | --- | --- | --- | --- | --- | --- | --- | --- | |
| | | Flair (FLA)* | \$282.00 | --- | --- | --- | --- | --- | --- | --- | --- | \$304.00 | |
| | | Jazz (JAZ) | --- | --- | --- | --- | --- | --- | --- | --- | --- | --- | |
| | | Bell (BEL) | --- | --- | --- | --- | --- | --- | --- | --- | --- | --- | |
| | | Georgian (GEO) | --- | --- | \$254.00 | --- | \$296.00 | --- | --- | --- | --- | --- | \$296.00 |
| | | Orbit (ORB) | --- | --- | --- | --- | --- | --- | --- | --- | --- | --- | --- |
| | | Plymouth (PLY) | \$268.00 | --- | --- | --- | --- | --- | --- | --- | --- | --- | \$280.00 |
| Siena (SIE) | \$280.00 | --- | \$263.00 | --- | \$296.00 | --- | --- | --- | --- | --- | \$296.00 | | |
| F362 | Double Cylinder, Complete Handleset  Camelot (CAM) | Accent (ACC)* | \$274.00 | \$241.00 | \$266.00 | \$326.00 | \$295.00 | \$295.00 | \$295.00 | \$295.00(x) | --- | \$295.00 | |
| | | Avanti (AVA)* | \$274.00 | \$241.00 | \$266.00 | \$326.00 | \$295.00 | \$295.00 | --- | \$295.00(x) | --- | \$295.00 | |
| | | Manhattan (MNH)* | --- | --- | --- | --- | --- | --- | --- | --- | --- | --- | |
| | | Elan (ELA) | \$272.00 | \$239.00 | \$264.00 | --- | --- | --- | --- | --- | --- | --- | |
| | | Flair (FLA)* | \$272.00 | \$239.00 | \$264.00 | \$324.00 | \$293.00 | \$293.00 | --- | \$293.00(x) | --- | \$293.00 | |
| | | Jazz (JAZ) | \$272.00 | \$239.00 | --- | --- | \$293.00 | --- | --- | --- | --- | --- | |
| | | Bell (BEL) | \$259.00 | \$226.00 | \$242.00 | --- | --- | --- | --- | --- | --- | --- | |
| | | Georgian (GEO) | \$262.00 | \$228.00 | \$245.00 | --- | \$273.00 | \$273.00 | \$273.00 | \$273.00(x) | --- | \$273.00 | |
| | | Orbit (ORB) | \$270.00 | \$237.00 | \$253.00 | \$312.00 | \$282.00 | \$282.00 | --- | \$282.00(x) | --- | --- | |
| | | Plymouth (PLY) | \$259.00 | \$226.00 | --- | \$299.00 | \$271.00 | --- | \$271.00 | \$271.00(x) | --- | \$271.00 | |
| Siena (SIE) | \$271.00 | \$237.00 | \$254.00 | \$316.00 | \$286.00 | \$286.00 | --- | \$286.00(x) | --- | \$286.00 | | | |
| F362 | Double Cylinder, Complete Handleset  Bowman (BOW) | Accent (ACC)* | \$274.00 | \$241.00 | \$266.00 | --- | --- | --- | \$295.00 | --- | --- | --- | |
| | | Avanti (AVA)* | \$274.00 | \$241.00 | --- | --- | --- | --- | --- | --- | --- | --- | |
| | | Manhattan (MNH)* | --- | --- | --- | --- | --- | --- | --- | --- | --- | --- | |
| | | Elan (ELA) | \$272.00 | \$239.00 | \$264.00 | --- | --- | --- | --- | --- | --- | --- | |
| | | Flair (FLA)* | \$272.00 | \$239.00 | \$264.00 | --- | --- | --- | --- | --- | --- | --- | |
| | | Jazz (JAZ) | \$272.00 | \$239.00 | --- | --- | --- | --- | --- | --- | --- | --- | |
| | | Bell (BEL) | \$259.00 | \$226.00 | \$242.00 | --- | --- | --- | --- | --- | --- | --- | |
| | | Georgian (GEO) | \$262.00 | \$228.00 | \$245.00 | --- | --- | --- | \$274.00 | --- | --- | --- | |
| | | Orbit (ORB) | \$270.00 | \$237.00 | \$253.00 | --- | --- | --- | --- | --- | --- | --- | |
| | | Plymouth (PLY) | \$259.00 | \$226.00 | --- | --- | --- | --- | \$270.00 | --- | --- | --- | |
| Siena (SIE) | \$271.00 | \$237.00 | \$254.00 | --- | --- | --- | --- | --- | --- | --- | | | |
| F362 | Double Cylinder, Complete Handleset  Century (CEN) | Accent (ACC)* | \$275.00 | \$241.00 | \$266.00 | --- | --- | --- | --- | \$295.00 | --- | --- | |
| | | Avanti (AVA)* | \$275.00 | \$241.00 | \$266.00 | --- | --- | --- | --- | \$295.00 | --- | --- | |
| | | Manhattan (MNH)* | --- | --- | --- | --- | --- | --- | --- | --- | --- | --- | |
| | | Elan (ELA) | \$272.00 | \$239.00 | \$263.00 | --- | --- | --- | --- | --- | \$293.00 | --- | |
| | | Flair (FLA)* | \$272.00 | \$239.00 | \$263.00 | --- | --- | --- | --- | \$293.00 | \$293.00 | --- | |
| | | Jazz (JAZ) | \$272.00 | \$239.00 | --- | --- | --- | --- | --- | --- | --- | --- | |
| | | Bell (BEL) | \$259.00 | \$226.00 | \$242.00 | --- | --- | --- | --- | --- | \$271.00 | --- | |
| | | Georgian (GEO) | \$261.00 | \$229.00 | \$245.00 | --- | --- | --- | --- | \$273.00 | --- | --- | |
| | | Orbit (ORB) | \$269.00 | \$236.00 | \$253.00 | --- | --- | --- | --- | \$282.00 | \$282.00 | --- | |
| | | Plymouth (PLY) | \$259.00 | \$226.00 | --- | --- | --- | --- | --- | \$271.00 | \$271.00 | --- | |
| Siena (SIE) | \$270.00 | \$237.00 | \$254.00 | --- | --- | --- | --- | \$286.00 | --- | --- | | | |

* Specify door hand when ordering Accent, Avanti, Flair and Manhattan designs
 (x) Discontinued - Available while supplies last.

| Prod. | Function - O/S Design | I/S DESIGN | Finishes | | | | | | | | | |
|-------|--|------------------|----------|----------|----------|----------|----------|----------|-----|-------------|-------------|----------|
| | | | 505 | 605 | 609 | 613 | 619 | 620 | 622 | 625 | 626 | 716 |
| F362 | Double Cylinder, Complete Handleset  Parthenon (PAR) | Accent (ACC)* | --- | --- | \$266.00 | --- | --- | --- | --- | --- | --- | --- |
| | | Avanti (AVA)* | --- | --- | \$266.00 | --- | --- | --- | --- | --- | --- | --- |
| | | Manhattan (MNH)* | --- | --- | --- | --- | --- | --- | --- | --- | --- | --- |
| | | Elan (ELA) | --- | --- | \$263.00 | --- | --- | --- | --- | --- | --- | --- |
| | | Flair (FLA)* | --- | --- | \$263.00 | --- | --- | --- | --- | --- | --- | --- |
| | | Jazz (JAZ) | --- | --- | --- | --- | --- | --- | --- | --- | --- | --- |
| | | Bell (BEL) | --- | --- | \$242.00 | --- | --- | --- | --- | --- | --- | --- |
| | | Georgian (GEO) | --- | --- | \$245.00 | --- | --- | --- | --- | --- | --- | --- |
| | | Orbit (ORB) | --- | --- | \$254.00 | --- | --- | --- | --- | --- | --- | --- |
| | | Plymouth (PLY) | --- | --- | --- | --- | --- | --- | --- | --- | --- | --- |
| | | Siena (SIE) | --- | --- | \$254.00 | --- | --- | --- | --- | --- | --- | --- |
| F362 | Double Cylinder, Complete Handleset  Plymouth (PLY) | Accent (ACC)* | \$266.00 | \$234.00 | \$258.00 | \$316.00 | \$286.00 | \$286.00 | --- | \$286.00(x) | --- | \$286.00 |
| | | Avanti (AVA)* | \$266.00 | \$234.00 | \$258.00 | \$316.00 | \$286.00 | \$286.00 | --- | \$286.00(x) | --- | \$286.00 |
| | | Manhattan (MNH)* | --- | --- | --- | --- | --- | --- | --- | --- | --- | --- |
| | | Elan (ELA) | \$264.00 | \$232.00 | \$256.00 | --- | --- | --- | --- | --- | \$284.00(x) | --- |
| | | Flair (FLA)* | \$264.00 | \$232.00 | \$256.00 | \$314.00 | \$284.00 | \$284.00 | --- | \$284.00(x) | \$284.00(x) | \$284.00 |
| | | Jazz (JAZ) | \$264.00 | \$232.00 | --- | --- | \$284.00 | --- | --- | --- | --- | --- |
| | | Bell (BEL) | \$251.00 | \$219.00 | \$234.00 | --- | --- | --- | --- | --- | \$261.00(x) | --- |
| | | Georgian (GEO) | \$254.00 | \$222.00 | \$237.00 | --- | \$264.00 | \$264.00 | --- | \$264.00(x) | --- | \$264.00 |
| | | Orbit (ORB) | \$262.00 | \$230.00 | \$245.00 | \$301.00 | \$272.00 | \$272.00 | --- | \$272.00(x) | --- | --- |
| | | Plymouth (PLY) | \$251.00 | \$219.00 | --- | \$289.00 | \$261.00 | --- | --- | \$261.00(x) | \$261.00(x) | \$261.00 |
| | | Siena (SIE) | \$263.00 | \$231.00 | \$246.00 | \$306.00 | \$277.00 | \$277.00 | --- | \$277.00(x) | --- | \$277.00 |

(x) Discontinued - Available while supplies last.

* Specify door hand when ordering Accent, Avanti, Flair and Manhattan designs

FA-Series Handlesets • Complete Locks

Single Cylinder



Florence (FLO)



Monaco (MON)



Monticello (MNT)



Sutton (STN)



Venice (VEN)



Wakefield (WKF)

Finishes

| Prod. | Function | O/S DESIGN | I/S DESIGN | I/S ESCUTCH. | 505 | 605 | 609 | 612 | 613 | 619 | 620 | 622 | 625 | 626 | 716 | |
|---|---|---|---|---------------|----------|-------------|----------|-------------|-------------|----------|----------|----------|-------------|-------------|----------|----------|
| FA360 Single Cylinder, Complete Handleset — For FA360 pricing, add FA358 outside design pricing and FA359 inside design pricing | | | | | | | | | | | | | | | | |
| FA358 | Single, Cylinder Outside** | Venice (VEN) | — | — | \$188.00 | \$153.00 | \$168.00 | \$194.00(x) | \$215.00 | \$194.00 | \$194.00 | --- | \$194.00 | \$194.00(x) | \$194.00 | |
| | | Florence (FLO) | — | — | \$188.00 | \$153.00 | \$168.00 | \$194.00(x) | \$215.00 | \$194.00 | \$194.00 | \$194.00 | \$194.00 | \$194.00 | \$194.00 | |
| | | Monaco (MON) | — | — | \$188.00 | \$153.00 | \$168.00 | \$194.00(x) | \$215.00 | \$194.00 | \$194.00 | \$194.00 | \$194.00 | \$194.00 | \$194.00 | |
| | | Sutton (STN) | — | — | \$173.00 | \$140.00 | \$155.00 | \$178.00(x) | \$197.00 | \$178.00 | \$178.00 | --- | \$178.00 | \$178.00(x) | --- | |
| | | Monticello (MNT) | — | — | \$173.00 | \$140.00 | \$155.00 | \$178.00(x) | \$197.00 | \$178.00 | \$178.00 | --- | \$178.00(x) | \$178.00(x) | --- | |
| | | Wakefield (WKF) | — | — | \$173.00 | \$140.00 | \$155.00 | \$178.00(x) | \$197.00 | \$178.00 | \$178.00 | \$178.00 | \$178.00 | \$178.00 | \$178.00 | \$178.00 |
| FA359 | Single Cylinder, Inside 2-Piece Interior | Andover (AND) | — | — | --- | \$84.00 | \$85.70 | \$90.00(x) | \$99.50 | \$90.00 | \$90.00 | --- | \$90.00 | \$90.00 | \$90.00 | |
| | | Danbury (DNB) | — | — | --- | \$84.90 | \$86.50 | \$90.90(x) | \$101.00 | \$90.90 | \$90.90 | \$90.90 | \$90.90 | \$90.90 | \$90.90 | |
| | | Callington (CLT)* | — | — | --- | \$107.00 | \$110.00 | \$119.00(x) | \$131.00 | \$119.00 | \$119.00 | \$119.00 | \$119.00 | \$119.00 | \$119.00 | |
| | | Champagne (CHP)* | — | — | --- | \$107.00 | \$110.00 | \$119.00(x) | \$131.00 | \$119.00 | \$119.00 | --- | \$119.00 | \$119.00 | \$119.00 | |
| | | St. Annes (STA)* | — | — | --- | \$107.00 | \$110.00 | \$119.00(x) | \$131.00 | \$119.00 | \$119.00 | --- | \$119.00 | \$119.00 | \$119.00 | |
| | | Merano (MER)* | — | — | --- | --- | --- | --- | --- | --- | \$119.00 | --- | \$119.00 | \$119.00 | \$119.00 | \$119.00 |
| | | FA359 | Single Cylinder, Inside Venice Interior | Andover (AND) | Venice | --- | \$101.00 | \$103.00 | \$108.00(x) | \$120.00 | \$108.00 | \$108.00 | --- | \$108.00 | \$108.00 | \$108.00 |
| Danbury (DNB) | Venice | --- | | \$102.00 | \$104.00 | \$112.00(x) | \$124.00 | \$112.00 | \$112.00 | --- | \$112.00 | \$112.00 | \$112.00 | | | |
| Callington (CLT)* | Venice | --- | | \$125.00 | \$128.00 | \$137.00(x) | \$152.00 | \$137.00 | \$137.00 | --- | \$137.00 | \$137.00 | \$137.00 | | | |
| Champagne (CHP)* | Venice | --- | | \$125.00 | \$128.00 | \$137.00(x) | \$152.00 | \$137.00 | \$137.00 | --- | \$137.00 | \$137.00 | \$137.00 | | | |
| St. Annes (STA)* | Venice | --- | | \$125.00 | \$128.00 | \$137.00(x) | \$152.00 | \$137.00 | \$137.00 | --- | \$137.00 | \$137.00 | \$137.00 | | | |
| Merano (MER)* | Venice | --- | | --- | --- | --- | --- | \$137.00 | --- | --- | \$137.00 | \$137.00 | \$137.00 | | | |
| FA359 | Single Cylinder, Inside Florence Interior | Andover (AND) | | Florence | --- | \$101.00 | \$103.00 | \$108.00(x) | \$120.00 | \$108.00 | \$108.00 | --- | \$108.00 | \$108.00 | \$108.00 | |
| Danbury (DNB) | | Florence | --- | \$102.00 | \$104.00 | \$112.00(x) | \$124.00 | \$112.00 | \$112.00 | \$112.00 | \$112.00 | \$112.00 | | | | |
| Callington (CLT)* | | Florence | --- | \$125.00 | \$128.00 | \$137.00(x) | \$152.00 | \$137.00 | \$137.00 | \$137.00 | \$137.00 | \$137.00 | | | | |
| Champagne (CHP)* | | Florence | --- | \$125.00 | \$128.00 | \$137.00(x) | \$152.00 | \$137.00 | \$137.00 | --- | \$137.00 | \$137.00 | | | | |
| St. Annes (STA)* | | Florence | --- | \$125.00 | \$128.00 | \$137.00(x) | \$152.00 | \$137.00 | \$137.00 | --- | \$137.00 | \$137.00 | | | | |
| Merano (MER)* | | Florence | --- | --- | --- | --- | --- | \$137.00 | --- | --- | \$137.00 | \$137.00 | | | | |
| FA359 | | Single Cylinder, Inside Monaco Interior | Andover (AND) | Monaco | --- | \$101.00 | \$103.00 | \$108.00(x) | \$120.00 | \$108.00 | \$108.00 | --- | \$108.00 | \$108.00 | \$108.00 | |
| Danbury (DNB) | Monaco | | --- | \$102.00 | \$104.00 | \$112.00(x) | \$124.00 | \$112.00 | \$112.00 | \$112.00 | \$112.00 | \$112.00 | | | | |
| Callington (CLT)* | Monaco | | --- | \$125.00 | \$128.00 | \$137.00(x) | \$152.00 | \$137.00 | \$137.00 | \$137.00 | \$137.00 | \$137.00 | | | | |
| Champagne (CHP)* | Monaco | | --- | \$125.00 | \$128.00 | \$137.00(x) | \$152.00 | \$137.00 | \$137.00 | --- | \$137.00 | \$137.00 | | | | |
| St. Annes (STA)* | Monaco | | --- | --- | --- | --- | --- | \$137.00 | --- | --- | \$137.00 | \$137.00 | | | | |
| Merano (MER)* | Monaco | | --- | --- | --- | --- | --- | \$137.00 | --- | --- | \$137.00 | \$137.00 | | | | |

* Specify door hand when ordering Callington, Champagne, St. Annes and Merano designs

** All F394, Inside Trim, is compatible with FA392 handlesets

(x) Discontinued - Available while supplies last.

- Notes:**
- 1) Add \$11.50 for UL Listed FA359, and FA360.
 - 2) FA358 outside of FA360 includes entrance handleset and cylinder.
 - 3) FA359 inside of FA360 includes inside knob/lever, inside escutcheon, deadbolt, thumbturn, latch, screws, and strikes.
 - 4) When ordering inside Venice, Monaco, or Florence interior trim, please specify inside escutcheon.
Example: FA359 AND x VEN.
 - 5) Half-sets of FA300-series entrance handlesets qualify for case quantity discounts.
 - 6) Keyed locks are furnished KD, 5-Pin C section unless otherwise indicated.



Florence (FLO)



Monaco (MON)



Monticello (MNT)






Sutton (STN)



Venice (VEN)



Wakefield (WKF)

| | | | | | Finishes | | | | | | | | | | |
|---|---------------------------------|-------------------|---|---------------|----------|----------|------------|-------------|----------|----------|----------|----------|-------------|-------------|----------|
| Prod. | Function | O/S DESIGN | I/S DESIGN | I/S ESCUTCH.. | 505 | 605 | 609 | 612 | 613 | 619 | 620 | 622 | 625 | 626 | 716 |
| FA393 Dummy, Complete Handleset – For FA393 pricing, add FA392 outside design pricing and FA394 inside design pricing | | | | | | | | | | | | | | | |
| FA392 | Dummy, Outside | Venice (VEN) | — | — | \$177.00 | \$145.00 | \$159.00 | \$183.00(x) | \$202.00 | \$183.00 | \$183.00 | --- | \$183.00 | \$183.00(x) | \$183.00 |
| | | Florence (FLO) | — | — | \$177.00 | \$145.00 | \$159.00 | \$183.00(x) | \$202.00 | \$183.00 | \$183.00 | \$183.00 | \$183.00 | \$183.00 | \$183.00 |
| | | Monaco (MON) | — | — | \$177.00 | \$145.00 | \$159.00 | \$183.00(x) | \$202.00 | \$183.00 | \$183.00 | \$183.00 | \$183.00 | \$183.00 | \$183.00 |
| | | Sutton (STN) | — | — | \$162.00 | \$132.00 | \$146.00 | \$167.00(x) | \$185.00 | \$167.00 | \$167.00 | --- | \$167.00 | \$167.00(x) | --- |
| | | Monticello (MNT) | — | — | \$162.00 | \$132.00 | \$146.00 | \$167.00(x) | \$185.00 | \$167.00 | \$167.00 | --- | \$167.00(x) | \$167.00(x) | --- |
| | | Wakefield (WKF) | — | — | \$162.00 | \$132.00 | \$146.00 | \$167.00(x) | \$185.00 | \$167.00 | \$167.00 | \$167.00 | \$167.00 | \$167.00 | \$167.00 |
| FA394 | Dummy, Inside 2-Piece Interior | Andover (AND) | — | — | --- | \$45.90 | \$46.80 | \$49.10(x) | \$54.30 | \$49.10 | \$49.10 | --- | \$49.10 | \$49.10 | \$49.10 |
| | | Danbury (DNB) | — | — | --- | \$52.60 | \$53.70 | \$56.40(x) | \$62.30 | \$56.40 | \$56.40 | \$56.40 | \$56.40 | \$56.40 | \$56.40 |
| | | Callington (CLT)* | — | — | --- | \$60.90 | \$62.70 | \$67.10(x) | \$74.20 | \$67.10 | \$67.10 | \$67.10 | \$67.10 | \$67.10 | \$67.10 |
| | | Champagne (CHP)* | — | — | --- | \$60.90 | \$62.70 | \$67.10(x) | \$74.20 | \$67.10 | \$67.10 | --- | \$67.10 | \$67.10 | \$67.10 |
| | | St. Annes (STA)* | — | — | --- | \$60.90 | \$62.70 | \$67.10(x) | \$74.20 | \$67.10 | \$67.10 | --- | \$67.10 | \$67.10 | \$67.10 |
| | | Merano (MER)* | — | — | --- | --- | --- | --- | --- | --- | \$67.10 | --- | \$67.10 | \$67.10 | \$67.10 |
| | | Merano (MER)* | — | — | --- | --- | --- | --- | --- | --- | \$67.10 | --- | \$67.10 | \$67.10 | \$67.10 |
| | Dummy, Inside Venice Interior | Andover (AND) | Venice | --- | \$55.00 | \$56.20 | \$58.90(x) | \$65.10 | \$58.90 | \$58.90 | --- | \$58.90 | \$58.90 | \$58.90 | \$58.90 |
| | | Danbury (DNB) |  | --- | \$63.10 | \$64.40 | \$67.60(x) | \$74.80 | \$67.60 | \$67.60 | --- | \$67.60 | \$67.60 | \$67.60 | \$67.60 |
| | | Callington (CLT)* | | --- | \$81.70 | \$83.40 | \$89.50(x) | \$99.00 | \$89.50 | \$89.50 | --- | \$89.50 | \$89.50 | \$89.50 | \$89.50 |
| | | Champagne (CHP)* | | --- | \$81.70 | \$83.40 | \$89.50(x) | \$99.00 | \$89.50 | \$89.50 | --- | \$89.50 | \$89.50 | \$89.50 | \$89.50 |
| | | St. Annes (STA)* | | --- | \$81.70 | \$83.40 | \$89.50(x) | \$99.00 | \$89.50 | \$89.50 | --- | \$89.50 | \$89.50 | \$89.50 | \$89.50 |
| | | Merano (MER)* | | --- | --- | --- | --- | --- | \$89.50 | --- | --- | --- | \$89.50 | \$89.50 | \$89.50 |
| | Dummy, Inside Florence Interior | Andover (AND) | Florence | --- | \$55.00 | \$56.20 | \$58.90(x) | \$65.10 | \$58.90 | \$58.90 | --- | \$58.90 | \$58.90 | \$58.90 | \$58.90 |
| | | Danbury (DNB) |  | --- | \$63.10 | \$64.40 | \$67.60(x) | \$74.80 | \$67.60 | \$67.60 | \$67.60 | \$67.60 | \$67.60 | \$67.60 | \$67.60 |
| | | Callington (CLT)* | | --- | \$81.70 | \$83.40 | \$89.50(x) | \$99.00 | \$89.50 | \$89.50 | \$89.50 | \$89.50 | \$89.50 | \$89.50 | \$89.50 |
| | | Champagne (CHP)* | | --- | \$81.70 | \$83.40 | \$89.50(x) | \$99.00 | \$89.50 | \$89.50 | --- | \$89.50 | \$89.50 | \$89.50 | \$89.50 |
| | | St. Annes (STA)* | | --- | \$81.70 | \$83.40 | \$89.50(x) | \$99.00 | \$89.50 | \$89.50 | --- | \$89.50 | \$89.50 | \$89.50 | \$89.50 |
| | | Merano (MER)* | | --- | --- | --- | --- | --- | \$89.50 | --- | --- | --- | \$89.50 | \$89.50 | \$89.50 |
| | Dummy, Inside Monaco Interior | Andover (AND) | Monaco | --- | \$55.00 | \$56.20 | \$58.90(x) | \$65.10 | \$58.90 | \$58.90 | --- | \$58.90 | \$58.90 | \$58.90 | \$58.90 |
| | | Danbury (DNB) |  | --- | \$63.10 | \$64.40 | \$67.60(x) | \$74.80 | \$67.60 | \$67.60 | \$67.60 | \$67.60 | \$67.60 | \$67.60 | \$67.60 |
| | | Callington (CLT)* | | --- | \$81.70 | \$83.40 | \$89.50(x) | \$99.00 | \$89.50 | \$89.50 | \$89.50 | \$89.50 | \$89.50 | \$89.50 | \$89.50 |
| | | Champagne (CHP)* | | --- | \$81.70 | \$83.40 | \$89.50(x) | \$99.00 | \$89.50 | \$89.50 | --- | \$89.50 | \$89.50 | \$89.50 | \$89.50 |
| | | St. Annes (STA)* | | --- | \$81.70 | \$83.40 | \$89.50(x) | \$99.00 | \$89.50 | \$89.50 | --- | \$89.50 | \$89.50 | \$89.50 | \$89.50 |
| | | Merano (MER)* | | --- | --- | --- | --- | --- | \$89.50 | --- | --- | --- | \$89.50 | \$89.50 | \$89.50 |

* Specify door hand when ordering Callington, Champagne, St.Annes and Merano designs

** All F394, Inside Trim, is compatible with FA392 handlesets.

(x) Discontinued - Available while supplies last.

- Notes:**
- 1) FA392 outside of FA393 includes entrance handleset and dummy cylinder.
 - 2) FA394 inside of FA393 includes inside knob/lever, inside escutcheon, and screws.
 - 3) When ordering inside Venice, Monaco, or Florence interior trim, please specify inside escutcheon.
Example: FA359 AND x VEN.
 - 4) Half-sets of FA300-series entrance handlesets qualify for case quantity discounts.
 - 5) Keyed locks are furnished KD, 5-Pin C section unless otherwise indicated.

FA-Series Handlesets • Complete Locks

Double Cylinder – Two-Piece Interior



Ashcroft (ASH)



Chantilly (CHT)



Kent (KNT)



Sutton (STN)



Monticello (MNT)



Wakefield (WKF)

Finishes

| Prod. | Function | O/S DESIGN | I/S DESIGN | I/S ESCUTCH. | 505 | 605 | 609 | 612 | 613 | 619 | 620 | 622 | 625 | 626 | 716 |
|---|--------------------|------------------|-------------------|--------------|-------------|-------------|-------------|-------------|-------------|-------------|-------------|----------|-------------|-------------|-------------|
| FA362 Double Cylinder, Complete Handleset | | | | | | | | | | | | | | | |
| FA362 | Double Cylinder | Sutton (STN) | Andover (AND) | — | \$282.00(x) | \$247.00(x) | \$265.00(x) | \$295.00(x) | \$326.00(x) | \$295.00 | \$295.00(x) | --- | \$295.00(x) | \$295.00(x) | --- |
| | | Sutton (STN) | Danbury (DNB) | — | \$283.00(x) | \$248.00(x) | \$266.00(x) | \$296.00(x) | \$327.00(x) | \$296.00 | \$296.00(x) | --- | \$296.00(x) | \$296.00(x) | --- |
| | Complete Handleset | Sutton (STN) | Callington (CLT)* | — | \$308.00(x) | \$272.00(x) | \$292.00(x) | \$326.00(x) | \$361.00(x) | \$326.00 | \$326.00(x) | --- | \$326.00(x) | \$326.00(x) | --- |
| | | Sutton (STN) | Champagne (CHP)* | — | \$308.00(x) | \$272.00(x) | \$292.00(x) | \$326.00(x) | \$361.00(x) | \$326.00 | \$326.00(x) | --- | \$326.00(x) | \$326.00(x) | --- |
| | | Sutton (STN) | St. Annes (STA)* | — | \$308.00(x) | \$272.00(x) | \$292.00(x) | \$326.00(x) | \$361.00(x) | \$326.00 | \$326.00(x) | --- | \$326.00(x) | \$326.00(x) | --- |
| | | Sutton (STN) | Merano (MER)* | — | --- | --- | --- | --- | --- | --- | --- | --- | --- | --- | --- |
| FA362 | Double Cylinder | Monticello (MNT) | Andover (AND) | — | \$282.00(x) | \$247.00(x) | \$265.00(x) | \$295.00(x) | \$326.00(x) | \$295.00(x) | \$295.00(x) | --- | \$295.00(x) | \$295.00(x) | --- |
| | | Monticello (MNT) | Danbury (DNB) | — | \$283.00(x) | \$248.00(x) | \$266.00(x) | \$296.00(x) | \$327.00(x) | \$296.00(x) | \$296.00(x) | --- | \$296.00(x) | \$296.00(x) | --- |
| | Complete Handleset | Monticello (MNT) | Callington (CLT)* | — | \$308.00(x) | \$272.00(x) | \$292.00(x) | \$326.00(x) | \$361.00(x) | \$326.00(x) | \$326.00(x) | --- | \$326.00(x) | \$326.00(x) | --- |
| | | Monticello (MNT) | Champagne (CHP)* | — | \$308.00(x) | \$272.00(x) | \$292.00(x) | \$326.00(x) | \$361.00(x) | \$326.00(x) | \$326.00(x) | --- | \$326.00(x) | \$326.00(x) | --- |
| | | Monticello (MNT) | St. Annes (STA)* | — | \$308.00(x) | \$272.00(x) | \$292.00(x) | \$326.00(x) | \$361.00(x) | \$326.00(x) | \$326.00(x) | --- | \$326.00(x) | \$326.00(x) | --- |
| | | Monticello (MNT) | Merano (MER)* | — | --- | --- | --- | --- | --- | --- | --- | --- | --- | --- | --- |
| FA362 | Double Cylinder | Wakefield (WKF) | Andover (AND) | — | \$282.00 | \$247.00 | \$265.00 | \$295.00(x) | \$326.00 | \$295.00 | \$295.00 | --- | \$295.00(x) | \$295.00(x) | \$295.00 |
| | | Wakefield (WKF) | Danbury (DNB) | — | \$283.00 | \$248.00 | \$266.00 | \$296.00(x) | \$327.00(x) | \$296.00 | \$296.00 | \$296.00 | \$296.00(x) | \$296.00(x) | \$296.00 |
| | Complete Handleset | Wakefield (WKF) | Callington (CLT)* | — | \$308.00 | \$272.00 | \$292.00 | \$326.00(x) | \$361.00(x) | \$326.00 | \$326.00 | \$326.00 | \$326.00(x) | \$326.00(x) | \$326.00 |
| | | Wakefield (WKF) | Champagne (CHP)* | — | \$308.00 | \$272.00 | \$292.00 | \$326.00(x) | \$361.00(x) | \$326.00 | \$326.00 | --- | \$326.00(x) | \$326.00(x) | \$326.00 |
| | | Wakefield (WKF) | St. Annes (STA)* | — | \$308.00 | \$272.00 | \$292.00 | \$326.00(x) | \$361.00(x) | \$326.00 | \$326.00 | --- | \$326.00(x) | \$326.00(x) | \$326.00 |
| | | Wakefield (WKF) | Merano (MER)* | — | --- | --- | --- | --- | --- | --- | --- | \$326.00 | --- | --- | --- |
| FA362 | Double Cylinder | Ashcroft (ASH) | Andover (AND) | — | \$299.00(x) | \$261.00(x) | \$280.00(x) | \$313.00(x) | \$346.00(x) | \$313.00 | \$313.00(x) | --- | \$313.00(x) | \$313.00(x) | \$313.00(x) |
| | | Ashcroft (ASH) | Danbury (DNB) | — | \$300.00(x) | \$262.00(x) | \$281.00(x) | \$314.00(x) | \$347.00(x) | \$314.00 | \$314.00(x) | --- | \$314.00(x) | \$314.00(x) | \$314.00(x) |
| | Complete Handleset | Ashcroft (ASH) | Callington (CLT)* | — | \$326.00(x) | \$286.00(x) | \$307.00(x) | \$344.00(x) | \$381.00(x) | \$344.00 | \$344.00(x) | --- | \$344.00(x) | \$344.00(x) | \$344.00(x) |
| | | Ashcroft (ASH) | Champagne (CHP)* | — | \$326.00(x) | \$286.00(x) | \$307.00(x) | \$344.00(x) | \$381.00(x) | \$344.00 | \$344.00(x) | --- | \$344.00(x) | \$344.00(x) | \$344.00(x) |
| | | Ashcroft (ASH) | St. Annes (STA)* | — | \$326.00(x) | \$286.00(x) | \$307.00(x) | \$344.00(x) | \$381.00(x) | \$344.00 | \$344.00(x) | --- | \$344.00(x) | \$344.00(x) | \$344.00(x) |
| | | Ashcroft (ASH) | Merano (MER)* | — | --- | --- | --- | --- | --- | --- | --- | --- | --- | --- | --- |
| FA362 | Double Cylinder | Chantilly (CHT) | Andover (AND) | — | \$299.00(x) | \$261.00(x) | \$280.00(x) | \$313.00(x) | \$346.00(x) | \$313.00(x) | \$313.00(x) | --- | \$313.00(x) | \$313.00(x) | \$313.00(x) |
| | | Chantilly (CHT) | Danbury (DNB) | — | \$300.00(x) | \$262.00(x) | \$281.00(x) | \$314.00(x) | \$347.00(x) | \$314.00(x) | \$314.00(x) | \$314.00 | \$314.00(x) | \$314.00(x) | \$314.00(x) |
| | Complete Handleset | Chantilly (CHT) | Callington (CLT)* | — | \$326.00(x) | \$286.00(x) | \$307.00(x) | \$344.00(x) | \$381.00(x) | \$344.00(x) | \$344.00(x) | \$344.00 | \$344.00(x) | \$344.00(x) | \$344.00(x) |
| | | Chantilly (CHT) | Champagne (CHP)* | — | \$326.00(x) | \$286.00(x) | \$307.00(x) | \$344.00(x) | \$381.00(x) | \$344.00(x) | \$344.00(x) | --- | \$344.00(x) | \$344.00(x) | \$344.00(x) |
| | | Chantilly (CHT) | St. Annes (STA)* | — | \$326.00(x) | \$286.00(x) | \$307.00(x) | \$344.00(x) | \$381.00(x) | \$344.00(x) | \$344.00(x) | --- | \$344.00(x) | \$344.00(x) | \$344.00(x) |
| | | Chantilly (CHT) | Merano (MER)* | — | --- | --- | --- | --- | --- | --- | --- | \$344.00 | --- | --- | --- |
| FA362 | Double Cylinder | Kent (KNT) | Andover (AND) | — | \$299.00(x) | \$261.00(x) | \$280.00(x) | \$313.00(x) | \$346.00(x) | \$313.00(x) | \$313.00(x) | --- | \$313.00(x) | \$313.00(x) | \$313.00(x) |
| | | Kent (KNT) | Danbury (DNB) | — | \$300.00(x) | \$262.00(x) | \$281.00(x) | \$314.00(x) | \$347.00(x) | \$314.00(x) | \$314.00(x) | \$314.00 | \$314.00(x) | \$314.00(x) | \$314.00(x) |
| | Complete Handleset | Kent (KNT) | Callington (CLT)* | — | \$326.00(x) | \$286.00(x) | \$307.00(x) | \$344.00(x) | \$381.00(x) | \$344.00(x) | \$344.00(x) | \$344.00 | \$344.00(x) | \$344.00(x) | \$344.00(x) |
| | | Kent (KNT) | Champagne (CHP)* | — | \$326.00(x) | \$286.00(x) | \$307.00(x) | \$344.00(x) | \$381.00(x) | \$344.00(x) | \$344.00(x) | --- | \$344.00(x) | \$344.00(x) | \$344.00(x) |
| | | Kent (KNT) | St. Annes (STA)* | — | \$326.00(x) | \$286.00(x) | \$307.00(x) | \$344.00(x) | \$381.00(x) | \$344.00(x) | \$344.00(x) | --- | \$344.00(x) | \$344.00(x) | \$344.00(x) |
| | | Kent (KNT) | Merano (MER)* | — | --- | --- | --- | --- | --- | --- | \$344.00(x) | --- | \$344.00 | --- | --- |

* Specify door hand when ordering Callington, Champagne, St. Annes and Merano designs

(x) Discontinued - Available while supplies last.

Notes: 1) Add \$11.50 for UL Listed FA359, and FA360.

2) Keyed locks are furnished KD, 5-Pin C section unless otherwise indicated.



Venice (VEN)



Florence (FLO)



Monaco (MON)

Finishes

| Prod. | Function | O/S DESIGN | I/S DESIGN | I/S ESCUTCH. | 505 | 605 | 609 | 612 | 613 | 619 | 620 | 622 | 625 | 626 | 716 |
|---|--------------------|----------------|-------------------|--------------|-------------|-------------|-------------|-------------|-------------|-------------|-------------|-------------|-------------|-------------|-------------|
| FA362 Double Cylinder, Complete Handleset | | | | | | | | | | | | | | | |
| FA362 | Double Cylinder | Venice (VEN) | Andover (AND) | Venice | \$318.00 | \$279.00(x) | \$298.00 | \$333.00(x) | \$368.00(x) | \$333.00 | \$333.00(x) | --- | \$333.00(x) | \$333.00(x) | \$333.00(x) |
| | | Venice (VEN) | Danbury (DNB) | Venice | \$319.00 | \$280.00(x) | \$299.00 | \$337.00(x) | \$373.00(x) | \$337.00 | \$337.00(x) | --- | \$337.00(x) | \$337.00(x) | \$337.00(x) |
| | Complete Handleset | Venice (VEN) | Callington (CLT)* | Venice | \$344.00 | \$305.00(x) | \$326.00 | \$365.00(x) | \$404.00(x) | \$365.00 | \$365.00(x) | --- | \$365.00(x) | \$365.00(x) | \$365.00(x) |
| | | Venice (VEN) | Champagne (CHP)* | Venice | \$344.00 | \$305.00(x) | \$326.00 | \$365.00(x) | \$404.00(x) | \$365.00 | \$365.00(x) | --- | \$365.00(x) | \$365.00(x) | \$365.00(x) |
| | | Venice (VEN) | St. Annes (STA)* | Venice | \$344.00 | \$305.00(x) | \$326.00 | \$365.00(x) | \$404.00(x) | \$365.00 | \$365.00(x) | --- | \$365.00(x) | \$365.00(x) | \$365.00(x) |
| | | Venice (VEN) | Merano (MER)* | Venice | --- | --- | --- | --- | --- | --- | --- | --- | --- | --- | --- |
| FA362 | Double Cylinder | Florence (FLO) | Andover (AND) | Florence | \$318.00 | \$279.00(x) | \$298.00(x) | \$333.00(x) | \$368.00(x) | \$333.00 | \$333.00(x) | --- | \$333.00(x) | \$333.00(x) | \$333.00(x) |
| | | Florence (FLO) | Danbury (DNB) | Florence | \$319.00 | \$280.00(x) | \$299.00(x) | \$337.00(x) | \$373.00(x) | \$337.00 | \$337.00(x) | \$337.00(x) | \$337.00(x) | \$337.00(x) | \$337.00(x) |
| | Complete Handleset | Florence (FLO) | Callington (CLT)* | Florence | \$344.00 | \$305.00(x) | \$326.00(x) | \$365.00(x) | \$404.00(x) | \$365.00 | \$365.00(x) | \$365.00(x) | \$365.00(x) | \$365.00(x) | \$365.00(x) |
| | | Florence (FLO) | Champagne (CHP)* | Florence | \$344.00 | \$305.00(x) | \$326.00(x) | \$365.00(x) | \$404.00(x) | \$365.00 | \$365.00(x) | --- | \$365.00(x) | \$365.00(x) | \$365.00(x) |
| | | Florence (FLO) | St. Annes (STA)* | Florence | \$344.00 | \$305.00(x) | \$326.00(x) | \$365.00(x) | \$404.00(x) | \$365.00 | \$365.00(x) | --- | \$365.00(x) | \$365.00(x) | \$365.00(x) |
| | | Florence (FLO) | Merano (MER)* | Florence | --- | --- | --- | --- | --- | --- | --- | \$365.00(x) | --- | --- | --- |
| FA362 | Double Cylinder | Monaco (MON) | Andover (AND) | Monaco | \$318.00(x) | \$279.00(x) | \$298.00(x) | \$333.00(x) | \$368.00(x) | \$333.00(x) | \$333.00(x) | --- | \$333.00(x) | \$333.00(x) | \$333.00(x) |
| | | Monaco (MON) | Danbury (DNB) | Monaco | \$319.00(x) | \$280.00(x) | \$299.00(x) | \$337.00(x) | \$373.00(x) | \$337.00(x) | \$337.00(x) | \$337.00 | \$337.00(x) | \$337.00(x) | \$337.00(x) |
| | Complete Handleset | Monaco (MON) | Callington (CLT)* | Monaco | \$344.00(x) | \$305.00(x) | \$326.00(x) | \$365.00(x) | \$404.00(x) | \$365.00(x) | \$365.00(x) | \$365.00 | \$365.00(x) | \$365.00(x) | \$365.00(x) |
| | | Monaco (MON) | Champagne (CHP)* | Monaco | \$344.00(x) | \$305.00(x) | \$326.00(x) | \$365.00(x) | \$404.00(x) | \$365.00(x) | \$365.00(x) | --- | \$365.00(x) | \$365.00(x) | \$365.00(x) |
| | | Monaco (MON) | St. Annes (STA)* | Monaco | \$344.00(x) | \$305.00(x) | \$326.00(x) | \$365.00(x) | \$404.00(x) | \$365.00(x) | \$365.00(x) | --- | \$365.00(x) | \$365.00(x) | \$365.00(x) |
| | | Monaco (MON) | Merano (MER)* | Monaco | --- | --- | --- | --- | --- | \$365.00(x) | --- | \$365.00 | --- | --- | --- |

* Specify door hand when ordering Callington, Champagne, St. Annes and Merano designs

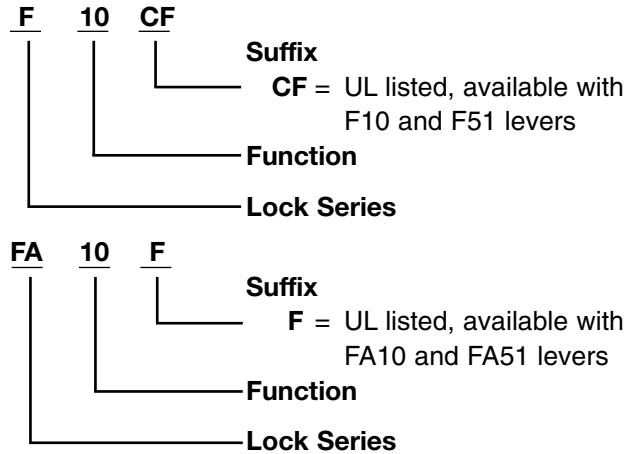
(x) Discontinued - Available while supplies last.

- Notes:**
- 1) Add \$11.50 for UL Listed FA359, and FA360.
 - 2) When ordering inside Venice, Monaco, or Florence interior trim, please specify inside escutcheon.
Example: FA359 AND x VEN.
 - 3) Keyed locks are furnished KD, 5-Pin C section unless otherwise indicated.

Table of Contents

| | |
|--|-------------------------------|
| Freight Weight | Terms & Conditions |
| Lever Functions | F/FA-12 |
| Complete Locks | F/FA-13 |
| F-Series | F/FA-13 |
| FA-Series | F/FA-14 |
| Freight Weight | Terms & Conditions |
| Knob Functions | F/FA-12 |
| Complete Locks | F/FA-15 |
| F-Series | F/FA-15 |
| FA-Series | F/FA-16 |
| F-Series Knob by Lever Designs | F/FA-17 |
| Options | F/FA-18 |
| Lock Less Component | F/FA-18 |
| Component Trim | F/FA-18 |
| Parts | F/FA-19 |
| Latch Strikes, Handleset Strikes | F/FA-19 |
| Deadbolt Latches, Springlatches | F/FA-20 |
| Deadbolt/Springbolt Combinations | F/FA-21 |
| Screw Packs | F/FA-22 |
| Miscellaneous Parts | F/FA-213 |
| Complete Cylinders | See Cylinders Section |
| How To Order | Forms & Examples |

Product Identification



Finish Codes and Descriptions*

| Code | | Description |
|------|----------|-----------------------|
| 505 | | Lifetime Bright Brass |
| 605 | (US 3) | Bright Brass |
| 609 | (US 5) | Antique Brass |
| 612 | (US10) | Satin Bronze - (x) |
| 613 | (US 10B) | Oil Rubbed Bronze |
| 619 | (US 15) | Satin Nickel |
| 620 | (US 15A) | Antique Pewter |
| 622 | (US 19) | Matte Black |
| 625 | (US 26) | Bright Chrome |
| 626 | (US 26D) | Satin Chrome |
| 716 | | Aged Bronze |

* *Non-Standard finishes are not available.*
 (x) *Discontinued - Available while supplies last.*

Standard Features*

F Levers/Knobs

| | |
|---------------|---|
| Certification | ANSI A156.2, 1996, Series 4000, Grade 2. Available UL Listed for 3 hour fire door |
| Latch | 1" x 2 1/4", Radius corner faceplate, 7/8" housing diameter, 1/2" throw, Triple-Option™ |
| Strike | 1 5/8" x 2 1/4", Radius corner, full lip, no box, dual option |
| Backset | Dual backset latches, fits either 2 3/8" or 2 3/4" backsets |
| Cylinder | 5-Pin, C keyway, keyed different (KD) |
| Door | Range 1 3/8" – 1 3/4" |
| Keys | Two per lock, 5-Pin, C section |

* *Locks are furnished with standard features unless otherwise specified. To order locks with non-standard features specify non-standard feature desired.*

F/FA-Series Levers/Knobs • Functions

ANSI A156.2, Series 4000, Grade 2

Non-Keyed Locks

SCHLAGE ANSI

F10/FA10 F75



Passage Latch

- Both knobs/levers always unlocked.

F40/FA40 F76



Bath/Bedroom Privacy Lock

- Push-button locking.
- Can be opened from outside with small circular tool.
- Turning inside knob/lever releases button.

F170/FA170



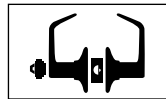
Single Dummy Trim

- Dummy trim for one side of door.
- Used for door pull or as matching inactive trim.

Keyed Locks

SCHLAGE ANSI

F51/FA51 F81



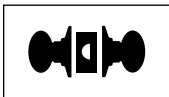
Entrance Lock

- Unlocked by key from outside when outer knob/lever is locked by turn-button in inside knob/lever.
- Inside knob/lever always unlocked.

Non-Keyed Locks

SCHLAGE ANSI

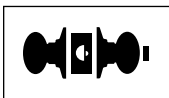
F10/FA10 F75



Passage Latch

- Both knobs/levers always unlocked.

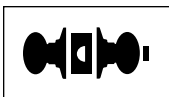
F30/FA30 F77



Patio Lock

- Push-button locking.
- Turning inside knob releases button.

F40/FA40 F76



Bath/Bedroom Privacy Lock

- Push-button locking.
- Can be opened from outside with small circular tool.
- Turning inside knob/lever released button.

F170/FA170



Single Dummy Trim

- Dummy trim for one side of door.
- Used for door pull or as matching inactive trim.

Keyed Locks

SCHLAGE ANSI

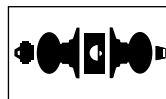
F51/FA51 F81



Entrance Lock

- Unlocked by key from outside when outer knob/lever is locked by turn-button in inside knob/lever.
- Inside knob/lever always unlocked.

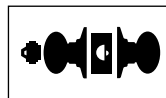
F54/FA54 F82



Entrance Lock

- Unlocked by key from outside when outer knob/lever is locked by turn-button in inside knob/lever.
- Inside knob/lever always locked.

F80/FA80 F86



Storeroom Lock

- Outside knob fixed. Entrance by key only.
- Inside knob/lever always unlocked.



Accent (ACC)

| Accent (ACC) | | Finishes | | | | | | | | | |
|--------------|-------------|----------|---------|---------|----------|----------|----------|----------|----------|----------|----------|
| Product | Function | 505 | 605 | 609 | 613 | 619 | 620 | 622 | 625 | 626 | 716 |
| F10 | Passage | \$48.70 | \$43.40 | \$47.70 | \$55.40 | \$50.10 | \$50.10 | \$50.10 | \$50.10 | \$50.10 | \$50.10 |
| F40 | Privacy | --- | \$46.70 | \$51.30 | \$59.60 | \$53.90 | \$53.90 | \$53.90 | \$53.90 | \$53.90 | \$53.90 |
| F51 | Keyed Entry | \$99.60 | \$88.80 | \$97.80 | \$114.00 | \$103.00 | \$103.00 | \$103.00 | \$103.00 | \$103.00 | \$103.00 |
| F170* | Dummy | \$21.30 | \$19.00 | \$20.90 | \$24.30 | \$21.90 | \$21.90 | \$21.90 | \$21.90 | \$21.90 | \$21.90 |



Avanti (AVA)

| Avanti (AVA) | | Finishes | | | | | | | | | |
|--------------|-------------|----------|---------|---------|----------|----------|----------|-----|----------|-----|----------|
| Product | Function | 505 | 605 | 609 | 613 | 619 | 620 | 622 | 625 | 626 | 716 |
| F10 | Passage | \$48.70 | \$43.40 | \$47.70 | \$55.40 | \$50.10 | \$50.10 | --- | \$50.10 | --- | \$50.10 |
| F40 | Privacy | --- | \$46.70 | \$51.30 | \$59.60 | \$53.90 | \$53.90 | --- | \$53.90 | --- | \$53.90 |
| F51 | Keyed Entry | \$99.60 | \$88.80 | \$97.80 | \$114.00 | \$103.00 | \$103.00 | --- | \$103.00 | --- | \$103.00 |
| F170* | Dummy | \$21.30 | \$19.00 | \$20.90 | \$24.30 | \$21.90 | \$21.90 | --- | \$21.90 | --- | \$21.90 |



Elan (ELA)

| Elan (ELA) | | Finishes | | | | | | | | | |
|------------|-------------|----------|---------|---------|-----|-----|-----|-----|---------|---------|-----|
| Product | Function | 505 | 605 | 609 | 613 | 619 | 620 | 622 | 625 | 626 | 716 |
| F10 | Passage | --- | \$42.50 | \$46.80 | --- | --- | --- | --- | \$49.20 | \$49.20 | --- |
| F40 | Privacy | --- | \$45.80 | \$50.30 | --- | --- | --- | --- | \$52.80 | \$52.80 | --- |
| F51 | Keyed Entry | --- | --- | --- | --- | --- | --- | --- | --- | --- | --- |
| F170 | Dummy | --- | \$18.60 | \$20.50 | --- | --- | --- | --- | \$21.50 | \$21.50 | --- |



Flair (FLA)

| Flair (FLA) | | Finishes | | | | | | | | | |
|-------------|-------------|----------|---------|---------|----------|----------|----------|-----|----------|----------|----------|
| Product | Function | 505 | 605 | 609 | 613 | 619 | 620 | 622 | 625 | 626 | 716 |
| F10 | Passage | \$47.70 | \$42.50 | \$46.80 | \$54.40 | \$49.20 | \$49.20 | --- | \$49.20 | \$49.20 | \$49.20 |
| F40 | Privacy | --- | \$45.80 | \$50.30 | \$58.40 | \$52.80 | \$52.80 | --- | \$52.80 | \$52.80 | \$52.80 |
| F51 | Keyed Entry | \$97.80 | \$87.20 | \$95.90 | \$111.00 | \$101.00 | \$101.00 | --- | \$101.00 | \$101.00 | \$101.00 |
| F170* | Dummy | \$20.90 | \$18.60 | \$20.50 | \$23.80 | \$21.50 | \$21.50 | --- | \$21.50 | \$21.50 | \$21.50 |



Jazz (JAZ)

| Jazz (JAZ) | | Finishes | | | | | | | | | |
|------------|-------------|----------|---------|---------|-----|---------|-----|-----|-----|---------|-----|
| Product | Function | 505 | 605 | 609 | 613 | 619 | 620 | 622 | 625 | 626 | 716 |
| F10 | Passage | --- | \$42.50 | \$46.80 | --- | \$49.20 | --- | --- | --- | \$49.20 | --- |
| F40 | Privacy | --- | \$45.80 | \$50.30 | --- | \$52.80 | --- | --- | --- | \$52.80 | --- |
| F51 | Keyed Entry | --- | --- | --- | --- | --- | --- | --- | --- | --- | --- |
| F170 | Dummy | --- | \$18.60 | \$20.50 | --- | \$21.50 | --- | --- | --- | \$21.50 | --- |



Manhattan (MNH)

| Manhattan (MNH) | | Finishes | | | | | | | | | |
|-----------------|-------------|----------|---------|-----|-----|----------|-----|-----|----------|----------|-----|
| Product | Function | 505 | 605 | 609 | 613 | 619 | 620 | 622 | 625 | 626 | 716 |
| F10 | Passage | --- | \$43.40 | --- | --- | \$50.10 | --- | --- | \$50.10 | \$50.10 | --- |
| F40 | Privacy | --- | \$46.70 | --- | --- | \$53.90 | --- | --- | \$53.90 | \$53.90 | --- |
| F51 | Keyed Entry | \$99.60 | \$88.80 | --- | --- | \$103.00 | --- | --- | \$103.00 | \$103.00 | --- |
| F170* | Dummy | \$21.30 | \$19.00 | --- | --- | \$21.90 | --- | --- | \$21.90 | \$21.90 | --- |

* Specify door hand when ordering the dummy function (F170) functions of Accent, Flair, Manhattan and Avanti levers.

- Note:**
- 1) Add \$6.00 for all UL listed F10 and F51 functions.
 - 2) Split designs and/or finishes are priced at the highest design and/or finish price.
 - 3) Keyed locks are furnished KD 5-Pin, C section unless otherwise indicated.



Callington (CLT)

| Callington (CLT) | | Finishes | | | | | | | | | | |
|------------------|-------------|----------|----------|----------|-------------|----------|----------|----------|----------|----------|----------|----------|
| Product | Function | 505 | 605 | 609 | 612 | 613 | 619 | 620 | 622 | 625 | 626 | 716 |
| FA10 | Passage | \$56.60 | \$50.40 | \$55.40 | \$58.20(x) | \$64.40 | \$58.20 | \$58.20 | \$58.20 | \$58.20 | \$58.20 | \$58.20 |
| FA40 | Privacy | --- | \$54.20 | \$59.60 | \$62.60(x) | \$69.20 | \$62.60 | \$62.60 | \$62.60 | \$62.60 | \$62.60 | \$62.60 |
| FA51 | Keyed Entry | \$115.00 | \$103.00 | \$113.00 | \$120.00(x) | \$132.00 | \$120.00 | \$120.00 | \$120.00 | \$120.00 | \$120.00 | \$120.00 |
| FA170* | Dummy | --- | \$24.20 | \$25.50 | \$28.20(x) | \$25.50 | \$25.50 | \$25.50 | \$25.50 | \$25.50 | \$25.50 | \$25.50 |



Champagne (CHP)

| Champagne (CHP) | | Finishes | | | | | | | | | | |
|-----------------|-------------|----------|----------|----------|-------------|----------|----------|----------|-----|----------|----------|----------|
| Product | Function | 505 | 605 | 609 | 612 | 613 | 619 | 620 | 622 | 625 | 626 | 716 |
| FA10 | Passage | \$56.60 | \$50.40 | \$55.40 | \$58.20(x) | \$64.40 | \$58.20 | \$58.20 | --- | \$58.20 | \$58.20 | \$58.20 |
| FA40 | Privacy | --- | \$54.20 | \$59.60 | \$62.60(x) | \$69.20 | \$62.60 | \$62.60 | --- | \$62.60 | \$62.60 | \$62.60 |
| FA51 | Keyed Entry | \$115.00 | \$103.00 | \$113.00 | \$120.00(x) | \$132.00 | \$120.00 | \$120.00 | --- | \$120.00 | \$120.00 | \$120.00 |
| FA170* | Dummy | --- | \$22.00 | \$24.20 | \$25.50(x) | \$28.20 | \$25.50 | \$25.50 | --- | \$25.50 | \$25.50 | \$25.50 |



Merano (MER)

| Merano (MER) | | Finishes | | | | | | | | | | |
|--------------|-------------|----------|-----|-----|-----|-----|----------|-----|----------|----------|----------|----------|
| Product | Function | 505 | 605 | 609 | 612 | 613 | 619 | 620 | 622 | 625 | 626 | 716 |
| FA10 | Passage | --- | --- | --- | --- | --- | \$58.20 | --- | \$58.20 | \$58.20 | \$58.20 | \$58.20 |
| FA40 | Privacy | --- | --- | --- | --- | --- | \$62.60 | --- | \$62.60 | \$62.60 | \$62.60 | \$62.60 |
| FA51 | Keyed Entry | --- | --- | --- | --- | --- | \$120.00 | --- | \$120.00 | \$120.00 | \$120.00 | \$120.00 |
| FA170* | Dummy | --- | --- | --- | --- | --- | \$25.50 | --- | \$25.50 | \$25.50 | \$25.50 | \$25.50 |



St. Annes (STA)

| St. Annes (STA) | | Finishes | | | | | | | | | | |
|-----------------|-------------|----------|----------|----------|-------------|----------|----------|----------|-----|----------|----------|----------|
| Product | Function | 505 | 605 | 609 | 612 | 613 | 619 | 620 | 622 | 625 | 626 | 716 |
| FA10 | Passage | \$56.60 | \$50.40 | \$55.40 | \$58.20(x) | \$64.40 | \$58.20 | \$58.20 | --- | \$58.20 | \$58.20 | \$58.20 |
| FA40 | Privacy | --- | \$54.20 | \$59.60 | \$62.60(x) | \$69.20 | \$62.60 | \$62.60 | --- | \$62.60 | \$62.60 | \$62.60 |
| FA51 | Keyed Entry | \$115.00 | \$103.00 | \$113.00 | \$120.00(x) | \$132.00 | \$120.00 | \$120.00 | --- | \$120.00 | \$120.00 | \$120.00 |
| FA170* | Dummy | --- | \$22.00 | \$24.20 | \$25.50(x) | \$28.20 | \$25.50 | \$25.50 | --- | \$25.50 | \$25.50 | \$25.50 |

* Specify door hand when ordering the dummy function (FA170) functions of Champagne, Callington, St. Annes and Merano levers.

(x) Discontinued - Available while supplies last.

- Note:**
- 1) Add \$6.00 for all UL listed FA10 and FA51 functions.
 - 2) Split designs and/or finishes are priced at the highest design and/or finish price.
 - 3) Keyed locks are furnished KD 5-Pin, C section unless otherwise indicated.
 - 4) For FA10, FA30 and FA40 products with French Door Escutcheon, please specify a VEN rose and add \$60.00 (Example: FA10 DNB 619 VEN).
 - 5) For FA170 product with French Door Escutcheon, please specify a VEN rose and add \$30.00 (Example: FA170 AND 619 VEN).



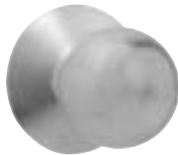
Bell (BEL)

| Bell (BEL) | | Finishes | | | | | | | | | |
|------------|-------------|----------|---------|---------|-----|-----|-----|-----|-----|---------|-----|
| Product | Function | 505 | 605 | 609 | 613 | 619 | 620 | 622 | 625 | 626 | 716 |
| F10 | Passage | \$28.80 | \$24.10 | \$27.10 | --- | --- | --- | --- | --- | \$29.60 | --- |
| F30 | Patio Lock | --- | \$30.00 | \$30.60 | --- | --- | --- | --- | --- | \$32.00 | --- |
| F40 | Privacy | --- | \$27.60 | \$30.30 | --- | --- | --- | --- | --- | \$31.80 | --- |
| F51 | Keyed Entry | \$49.30 | \$47.40 | \$48.40 | --- | --- | --- | --- | --- | \$50.80 | --- |
| F54 | Keyed Entry | \$49.30 | \$47.40 | \$48.40 | --- | --- | --- | --- | --- | \$50.80 | --- |
| F80 | Storeroom | \$52.70 | \$50.70 | \$51.70 | --- | --- | --- | --- | --- | \$51.80 | --- |
| F170 | Dummy | \$11.90 | \$10.60 | \$11.60 | --- | --- | --- | --- | --- | \$12.30 | --- |



Georgian (GEO)

| Georgian (GEO) | | Finishes | | | | | | | | | |
|----------------|-------------|----------|---------|---------|-----|---------|---------|---------|---------|-----|---------|
| Product | Function | 505 | 605 | 609 | 613 | 619 | 620 | 622 | 625 | 626 | 716 |
| F10 | Passage | \$29.60 | \$24.90 | \$27.40 | --- | \$30.60 | \$30.60 | \$30.60 | \$30.60 | --- | \$30.60 |
| F30 | Patio Lock | --- | \$30.80 | \$34.20 | --- | \$35.70 | \$35.70 | --- | \$35.70 | --- | \$35.70 |
| F40 | Privacy | --- | \$28.40 | \$31.20 | --- | \$32.80 | \$32.80 | \$32.80 | \$32.80 | --- | \$32.80 |
| F51 | Keyed Entry | \$50.80 | \$45.20 | \$49.80 | --- | \$52.30 | \$52.30 | \$52.30 | \$52.30 | --- | \$52.30 |
| F54 | Keyed Entry | \$50.80 | \$45.20 | \$49.80 | --- | \$52.30 | \$52.30 | --- | \$52.30 | --- | \$52.30 |
| F80 | Storeroom | --- | \$48.40 | \$53.30 | --- | \$56.00 | \$56.00 | --- | \$56.00 | --- | \$56.00 |
| F170 | Dummy | \$12.30 | \$10.90 | \$12.00 | --- | \$12.60 | \$12.60 | \$12.60 | \$12.60 | --- | \$12.60 |



Orbit (ORB)

| Orbit (ORB) | | Finishes | | | | | | | | | |
|-------------|-------------|----------|---------|---------|---------|---------|---------|-----|---------|---------|---------|
| Product | Function | 505 | 605 | 609 | 613 | 619 | 620 | 622 | 625 | 626 | 716 |
| F10 | Passage | \$35.30 | \$31.20 | \$34.30 | \$40.10 | \$36.30 | \$36.30 | --- | \$36.30 | \$36.30 | \$36.30 |
| F30 | Patio Lock | --- | \$34.20 | \$34.90 | \$43.70 | \$39.50 | \$39.50 | --- | \$39.50 | \$39.50 | \$39.50 |
| F40 | Privacy | --- | \$33.30 | \$36.60 | \$45.20 | \$40.90 | \$40.90 | --- | \$40.90 | \$40.90 | \$40.90 |
| F51 | Keyed Entry | \$57.50 | \$51.30 | \$56.40 | \$65.40 | \$59.20 | \$59.20 | --- | \$59.20 | \$59.20 | \$59.20 |
| F54 | Keyed Entry | \$57.50 | \$51.30 | \$56.40 | \$65.40 | \$59.20 | \$59.20 | --- | \$59.20 | \$59.20 | \$59.20 |
| F80 | Storeroom | --- | \$54.90 | \$60.30 | \$70.00 | \$63.30 | \$63.30 | --- | \$63.30 | \$63.30 | \$63.30 |
| F170 | Dummy | \$14.50 | \$12.90 | \$14.20 | \$16.40 | \$14.90 | \$14.90 | --- | \$14.90 | \$14.90 | \$14.90 |



Plymouth (PLY)

| Plymouth (PLY) | | Finishes | | | | | | | | | |
|----------------|-------------|----------|---------|---------|---------|---------|---------|---------|---------|---------|---------|
| Product | Function | 505 | 605 | 609 | 613 | 619 | 620 | 622 | 625 | 626 | 716 |
| F10 | Passage | \$28.80 | \$24.10 | \$27.10 | \$32.80 | \$29.60 | \$29.60 | \$29.60 | \$29.60 | \$29.60 | \$29.60 |
| F30 | Patio Lock | --- | \$30.00 | \$30.60 | \$35.40 | \$32.00 | \$32.00 | --- | \$32.00 | \$32.00 | --- |
| F40 | Privacy | --- | \$27.60 | \$30.30 | \$35.20 | \$31.80 | \$31.80 | \$31.80 | \$31.80 | \$31.80 | \$31.80 |
| F51 | Keyed Entry | \$49.30 | \$47.40 | \$48.40 | \$56.10 | \$50.80 | \$50.80 | \$50.80 | \$50.80 | \$50.80 | \$50.80 |
| F54 | Keyed Entry | \$49.30 | \$47.40 | --- | \$56.10 | \$50.80 | \$50.80 | --- | \$50.80 | \$50.80 | \$50.80 |
| F80 | Storeroom | --- | \$50.70 | --- | \$60.00 | \$54.30 | \$54.30 | --- | \$54.30 | \$54.30 | \$54.30 |
| F170 | Dummy | \$11.90 | \$10.60 | \$11.60 | \$13.60 | \$12.30 | \$12.30 | \$12.30 | \$12.30 | \$12.30 | \$12.30 |



Siena (SIE)

| Siena (SIE) | | Finishes | | | | | | | | | |
|-------------|-------------|----------|---------|---------|----------|---------|---------|-----|---------|-----|---------|
| Product | Function | 505 | 605 | 609 | 613 | 619 | 620 | 622 | 625 | 626 | 716 |
| F10 | Passage | \$48.80 | \$43.50 | \$47.80 | \$55.50 | \$50.20 | \$50.20 | --- | \$50.20 | --- | \$50.20 |
| F30 | Patio Lock | --- | \$48.20 | \$49.70 | \$60.00 | \$54.30 | \$54.30 | --- | \$54.30 | --- | --- |
| F40 | Privacy | --- | \$47.00 | \$51.70 | \$58.90 | \$53.20 | \$53.20 | --- | \$53.20 | --- | \$53.20 |
| F51 | Keyed Entry | \$89.60 | \$80.00 | \$87.90 | \$102.00 | \$92.40 | \$92.40 | --- | \$92.40 | --- | \$92.40 |
| F54 | Keyed Entry | \$89.60 | \$80.00 | \$87.90 | \$102.00 | \$92.40 | \$92.40 | --- | \$92.40 | --- | \$92.40 |
| F80 | Storeroom | --- | \$85.60 | \$94.00 | \$109.00 | \$98.80 | \$98.80 | --- | \$98.80 | --- | \$98.80 |
| F170 | Dummy | \$23.60 | \$22.00 | \$24.20 | \$26.90 | \$24.30 | \$24.30 | --- | \$24.30 | --- | \$24.30 |

- Notes:**
- 1) Add \$6.00 for UL listed F10, F51 and F80 functions.
 - 2) Split designs and/or finishes are priced at the highest design and/or finish price.
 - 3) Keyed locks are furnished KD 5-Pin, C section unless otherwise indicated.



| Andover (AND) | | Finishes | | | | | | | | | | |
|---------------|-------------|----------|---------|---------|------------|---------|---------|---------|-----|---------|---------|---------|
| Product | Function | 505 | 605 | 609 | 612 | 613 | 619 | 620 | 622 | 625 | 626 | 716 |
| FA10 | Passage | \$35.30 | \$31.20 | \$34.30 | \$36.30(x) | \$40.10 | \$36.30 | \$36.30 | --- | \$36.30 | \$36.30 | \$36.30 |
| FA30 | Patio Lock | --- | \$34.20 | \$34.90 | \$39.50(x) | \$43.70 | \$39.50 | \$39.50 | --- | \$39.50 | \$39.50 | --- |
| FA40 | Privacy | --- | \$33.30 | \$36.60 | \$40.90(x) | \$45.20 | \$40.90 | \$40.90 | --- | \$40.90 | \$40.90 | \$40.90 |
| FA51 | Keyed Entry | \$57.50 | \$51.30 | \$56.40 | \$59.20(x) | \$65.40 | \$59.20 | \$59.20 | --- | \$59.20 | \$59.20 | \$59.20 |
| FA54 | Keyed Entry | \$57.50 | \$51.30 | \$56.40 | \$59.20(x) | \$65.40 | \$59.20 | \$59.20 | --- | \$59.20 | \$59.20 | \$59.20 |
| FA80 | Storeroom | --- | \$54.90 | \$60.30 | \$63.30(x) | \$70.00 | \$63.30 | \$63.30 | --- | \$63.30 | \$63.30 | \$63.30 |
| FA170 | Dummy | --- | \$12.70 | \$14.20 | \$14.90(x) | \$16.40 | \$14.90 | \$14.90 | --- | \$14.90 | \$14.90 | \$14.90 |



| Danbury (DNB) | | Finishes | | | | | | | | | | |
|---------------|-------------|----------|---------|---------|------------|----------|---------|---------|---------|---------|---------|---------|
| Product | Function | 505 | 605 | 609 | 612 | 613 | 619 | 620 | 622 | 625 | 626 | 716 |
| FA10 | Passage | \$48.80 | \$43.50 | \$47.80 | \$50.20(x) | \$55.50 | \$50.20 | \$50.20 | \$50.20 | \$50.20 | \$50.20 | \$50.20 |
| FA30 | Patio Lock | --- | \$48.20 | \$49.70 | \$54.30(x) | \$60.00 | \$54.30 | \$54.30 | --- | \$54.30 | \$54.30 | --- |
| FA40 | Privacy | --- | \$47.00 | \$51.70 | \$53.20(x) | \$58.90 | \$53.20 | \$53.20 | \$53.20 | \$53.20 | \$53.20 | \$53.20 |
| FA51 | Keyed Entry | \$89.60 | \$80.00 | \$87.90 | \$92.40(x) | \$102.00 | \$92.40 | \$92.40 | \$92.40 | \$92.40 | \$92.40 | \$92.40 |
| FA54 | Keyed Entry | \$89.60 | \$80.00 | \$87.90 | \$92.40(x) | \$102.00 | \$92.40 | \$92.40 | --- | \$92.40 | \$92.40 | \$92.40 |
| FA80 | Storeroom | --- | \$85.60 | \$94.00 | \$98.80(x) | \$109.00 | \$98.80 | \$98.80 | --- | \$98.80 | \$98.80 | \$98.80 |
| FA170 | Dummy | --- | \$23.60 | \$22.00 | \$24.20(x) | \$26.90 | \$24.30 | \$24.30 | \$24.30 | \$24.30 | \$24.30 | \$24.30 |

(x) Discontinued - Available while supplies last.

- Note:**
- 1) Add \$6.00 for all UL listed FA10 and FA51 functions.
 - 2) Split designs and/or finishes are priced at the highest design and/or finish price.
 - 3) Keyed locks are furnished KD 5-Pin, C section unless otherwise indicated.
 - 4) For FA10, FA30 and FA40 products with French Door Escutcheon, please specify a VEN rose and add \$60.00 (Example: FA10 DNB 619 VEN).
 - 5) For FA170 product with French Door Escutcheon, please specify a VEN rose and add \$30.00 (Example: FA170 AND 619 VEN).



Bell (BEL)

| Bell (BEL) | | Finishes | | | | | | | | | |
|----------------|-------------|----------|---------|---------|-----|-----|-----|-----|-----|---------|-----|
| Product | Function | 505 | 605 | 609 | 613 | 619 | 620 | 622 | 625 | 626 | 716 |
| F51 x ACC, AVA | Keyed Entry | \$66.50 | \$63.90 | \$65.10 | --- | --- | --- | --- | --- | --- | --- |
| F51 x FLA | Keyed Entry | \$60.50 | \$58.20 | \$59.40 | --- | --- | --- | --- | --- | \$70.10 | --- |
| F51 x ELA | Keyed Entry | --- | \$58.20 | \$59.40 | --- | --- | --- | --- | --- | \$70.10 | --- |
| F51 x JAZ | Keyed Entry | --- | \$58.20 | \$59.40 | --- | --- | --- | --- | --- | \$70.10 | --- |
| F80 x ACC, AVA | Storeroom | \$71.10 | \$68.30 | \$69.70 | --- | --- | --- | --- | --- | --- | --- |
| F80 x FLA | Storeroom | \$64.80 | \$62.30 | \$63.60 | --- | --- | --- | --- | --- | \$75.00 | --- |
| F80 x ELA | Storeroom | --- | \$62.30 | \$63.60 | --- | --- | --- | --- | --- | \$75.00 | --- |
| F80 x JAZ | Storeroom | --- | \$62.30 | \$63.60 | --- | --- | --- | --- | --- | \$75.00 | --- |



Georgian (GEO)

| Georgian (GEO) | | Finishes | | | | | | | | | |
|----------------|-------------|----------|---------|---------|-----|---------|---------|-----|---------|-----|---------|
| Product | Function | 505 | 605 | 609 | 613 | 619 | 620 | 622 | 625 | 626 | 716 |
| F51 x ACC, AVA | Keyed Entry | \$64.40 | \$58.80 | \$59.90 | --- | \$64.80 | \$64.80 | --- | \$64.80 | --- | \$65.10 |
| F51 x FLA | Keyed Entry | \$58.50 | \$55.70 | \$58.80 | --- | \$62.90 | \$62.90 | --- | \$62.90 | --- | \$62.90 |
| F51 x ELA | Keyed Entry | --- | \$55.70 | \$58.80 | --- | --- | --- | --- | \$62.90 | --- | --- |
| F51 x JAZ | Keyed Entry | --- | \$55.70 | \$58.80 | --- | \$62.90 | --- | --- | --- | --- | \$62.90 |
| F80 x ACC, AVA | Storeroom | --- | \$62.90 | \$64.10 | --- | \$69.30 | \$69.30 | --- | \$69.30 | --- | \$69.40 |
| F80 x FLA | Storeroom | --- | \$59.60 | \$62.90 | --- | \$67.30 | \$67.30 | --- | \$67.30 | --- | --- |
| F80 x ELA | Storeroom | --- | \$59.60 | \$62.90 | --- | --- | --- | --- | \$67.30 | --- | --- |
| F80 x JAZ | Storeroom | --- | \$59.60 | \$62.90 | --- | \$67.30 | --- | --- | --- | --- | --- |



Orbit (ORB)

| Orbit (ORB) | | Finishes | | | | | | | | | |
|----------------|-------------|----------|---------|---------|---------|---------|---------|-----|---------|---------|-----|
| Product | Function | 505 | 605 | 609 | 613 | 619 | 620 | 622 | 625 | 626 | 716 |
| F51 x ACC, AVA | Keyed Entry | \$70.40 | \$67.70 | \$69.10 | \$78.00 | \$70.50 | \$70.50 | --- | \$70.50 | \$70.50 | --- |
| F51 x FLA | Keyed Entry | \$67.70 | \$63.90 | \$65.10 | \$77.20 | \$69.80 | \$69.80 | --- | \$69.80 | \$69.80 | --- |
| F51 x ELA | Keyed Entry | --- | \$63.90 | \$65.10 | --- | --- | --- | --- | \$69.80 | \$69.80 | --- |
| F51 x JAZ | Keyed Entry | --- | \$63.90 | \$65.10 | --- | \$69.80 | --- | --- | --- | \$69.80 | --- |
| F80 x ACC, AVA | Storeroom | --- | \$72.40 | \$73.90 | \$83.40 | \$75.40 | \$75.40 | --- | \$75.40 | --- | --- |
| F80 x FLA | Storeroom | --- | \$68.30 | \$69.70 | \$82.60 | \$74.70 | \$74.70 | --- | \$74.70 | \$74.70 | --- |
| F80 x ELA | Storeroom | --- | \$68.30 | \$69.70 | --- | --- | --- | --- | --- | --- | --- |
| F80 x JAZ | Storeroom | --- | \$68.30 | \$69.70 | --- | \$74.70 | --- | --- | --- | \$74.70 | --- |



Plymouth (PLY)

| Plymouth (PLY) | | Finishes | | | | | | | | | |
|----------------|-------------|----------|---------|-----|---------|---------|---------|-----|---------|---------|---------|
| Product | Function | 505 | 605 | 609 | 613 | 619 | 620 | 622 | 625 | 626 | 716 |
| F51 x ACC, AVA | Keyed Entry | \$66.50 | \$63.90 | --- | \$78.30 | \$70.80 | \$70.80 | --- | \$70.80 | --- | \$70.80 |
| F51 x FLA | Keyed Entry | \$60.50 | \$58.20 | --- | \$77.50 | \$70.10 | \$70.10 | --- | \$70.10 | \$70.10 | \$70.10 |
| F51 x ELA | Keyed Entry | --- | \$58.20 | --- | --- | --- | --- | --- | \$70.10 | \$70.10 | --- |
| F51 x JAZ | Keyed Entry | --- | \$58.20 | --- | --- | \$70.10 | --- | --- | --- | \$70.10 | --- |
| F80 x ACC, AVA | Storeroom | --- | \$68.30 | --- | \$83.80 | \$75.80 | \$75.80 | --- | \$75.80 | --- | \$75.80 |
| F80 x FLA | Storeroom | --- | \$62.30 | --- | \$82.90 | \$75.00 | \$75.00 | --- | \$75.00 | \$75.00 | \$75.00 |
| F80 x ELA | Storeroom | --- | \$62.30 | --- | --- | --- | --- | --- | --- | \$75.00 | --- |
| F80 x JAZ | Storeroom | --- | \$62.30 | --- | --- | \$75.00 | --- | --- | --- | \$75.00 | --- |



Siena (SIE)

| Siena (SIE) | | Finishes | | | | | | | | | |
|----------------|-------------|----------|---------|---------|----------|----------|----------|-----|----------|-----|----------|
| Product | Function | 505 | 605 | 609 | 613 | 619 | 620 | 622 | 625 | 626 | 716 |
| F51 x ACC, AVA | Keyed Entry | \$96.60 | \$90.10 | \$91.80 | \$112.00 | \$102.00 | \$102.00 | --- | \$102.00 | --- | \$102.00 |
| F51 x FLA | Keyed Entry | \$88.90 | \$85.40 | \$89.90 | \$111.00 | \$101.00 | \$101.00 | --- | \$101.00 | --- | \$101.00 |
| F51 x ELA | Keyed Entry | --- | \$85.40 | \$89.90 | --- | --- | --- | --- | \$101.00 | --- | --- |
| F51 x JAZ | Keyed Entry | --- | \$85.40 | \$89.90 | --- | \$101.00 | --- | --- | --- | --- | --- |
| F80 x ACC, AVA | Storeroom | --- | \$96.40 | \$98.30 | \$120.00 | \$109.00 | \$109.00 | --- | \$109.00 | --- | \$109.00 |
| F80 x FLA | Storeroom | --- | \$91.40 | \$96.10 | \$119.00 | \$108.00 | \$108.00 | --- | \$108.00 | --- | \$108.00 |
| F80 x ELA | Storeroom | --- | \$91.40 | \$96.10 | --- | --- | --- | --- | --- | --- | --- |
| F80 x JAZ | Storeroom | --- | \$91.40 | \$96.10 | --- | \$108.00 | --- | --- | --- | --- | --- |

- Notes:**
- 1) Add \$6.00 for UL listed F10, F51 and F80 functions.
 - 2) Split designs and/or finishes are priced at the highest design and/or finish price.
 - 3) Keyed locks are furnished KD 5-Pin, C section unless otherwise indicated.

| Lock Less Components | | |
|--------------------------------|---|------------------------|
| Description | Specify | Deduct from Lock Price |
| Less springlatch | LLL for springlatch Example: FA40 AND 605 LLL 10-026 | \$4.10 |
| Less deadlatch | LLL for deadlatch Example: FA51 AND 605 LLL 10-025 | 4.50 |
| Less handleset deadbolt | LLL for handleset deadbolt Example: FA360 VEN 605 DNB LLL 16-200 10-254 | 8.10 |
| Less handleset deadbolt strike | LLL for handleset deadbolt strike Example: FA360 VEN 605 DNB 16-235 LLL 10-026 | 3.20 |
| Less handleset latch strike | LLL for handleset latch strike Example: FA360 VEN 605 DNB 16-235 10-094 LLL | 2.10 |
| Less deadbolt | LLL for deadbolt Example: BA360 605 LLL 10-092 | 8.30 |
| Less deadbolt strike | LLL for deadbolt strike Example: BA360 605 12-300 LLL | 3.30 |

| Component Trim | | | |
|----------------|----------------|--|------------|
| Part Number | Specify Finish | Description | Price Each |
| 06-104 | • | Cylinder knob and sleeve, F51 and F80 (outside trim) | \$34.40 |
| 06-108 | • | Handleset, F393 (outside trim) | 149.00 |
| 06-142 | • | French door escutcheon (screws included) | 45.90 |
| 06-219 AND | • | Keyed rose (keyed levers only) | 14.10 |
| 06-222 AND | • | Keyless rose (keyless levers and all knobs) | 14.10 |
| B300-002 | • | Inside deadbolt rose | 14.10 |
| B300-018 | • | Inside deadbolt thumbturn (single cyl) | 22.90 |
| B300-109 | | Rose insert, F393 (inside trim) | 21.50 |
| B300-412 | • | Blank rose, F393 (inside trim) | 14.50 |
| B302-100 | • | Rose and turn unit, F360 (inside trim) | 25.30 |
| B300-024 | • | Inside deadbolt faceplate (double cyl) | 12.00 |
| 02-035 | • | Handleset through-bolt cap | 8.70 |
| 06-216 KBD | • | Inside push button, Knobs (FA30, FA40) | 8.50 |
| 06-216 PBD | • | Inside push button, Levers (FA40) | 8.50 |
| 06-216 TBD | • | Inside turn button, Knobs and Levers (FA51, FA54) | 8.50 |
| F605-326 | • | Outside emergency button (FA40 levers) | 8.50 |

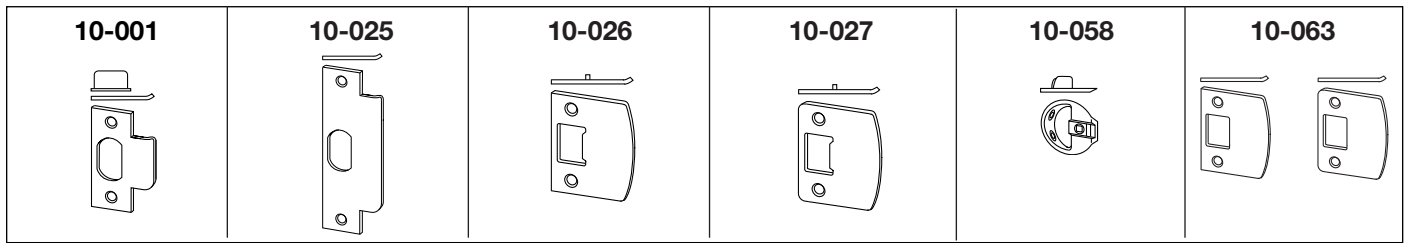
| PART | SPECIFY FINISH | DESCRIPTION | PRICE |
|--------|----------------|------------------------|---------|
| 06-142 | — | French door escutcheon | \$45.90 |

For F/FA10, F/FA30, F/FA40 and F/FA170 products. Not available in Satin Bronze (612) finish.

To order FA170 with French Door escutcheon, please specify a VEN Rose and add \$30.00.
(EXAMPLE: FA170 AND 619 VEN)

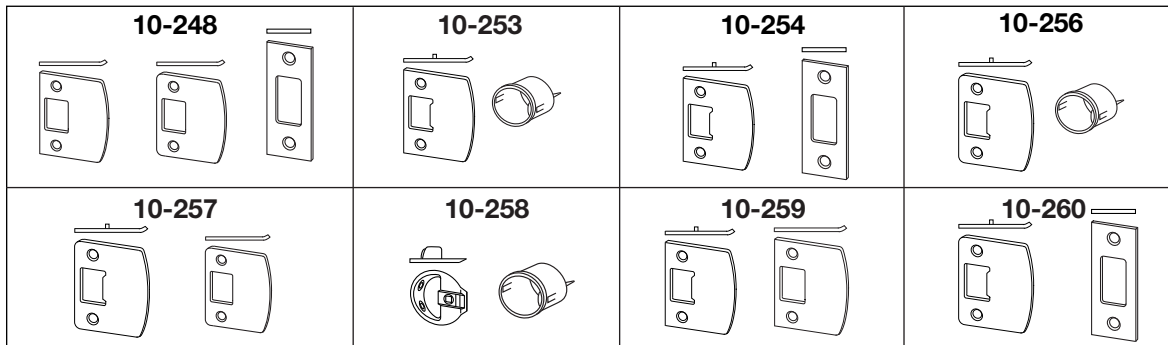
To order FA10, FA30, FA40 with French Door escutcheon, please specify a VEN Rose and add \$60.00.
(EXAMPLE: FA10 DNB 619 VEN)



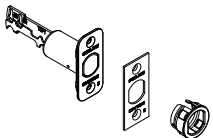
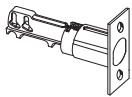

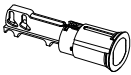
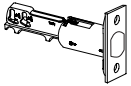
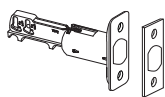


| Latch Strikes | | | | | |
|---------------|----------------|---|------------|-------------------|------------|
| Part Number | Specify Finish | Description | Lip Length | Add to Lock Price | Price Each |
| 10-001* | • | Square corner, T-strike, box, 1 1/8" x 2 3/4" | 1 1/8" | N/C | \$6.20 |
| 10-025* | • | ANSI, no box, 1 1/4" x 4 7/8" | 1 3/16" | 3.90 | 9.80 |
| 10-026 | • | Square corner, full lip, no box, 1 5/8" x 2 1/4" | 1 1/8" | N/C | 6.10 |
| 10-027 | • | 1/4" Radius corner, full lip, no box, 1 5/8" x 2 1/4" | 1 1/8" | N/C | 6.10 |
| 10-058 | | Circular, adjustable, 1 3/4" diam., 605 and 626 finishes only | 1 7/32" | N/C | 8.70 |
| 10-063 | • | Dual strikes, 10-026 and 10-027 combination | 1 1/8" | N/C | N/C |

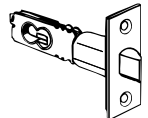
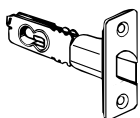
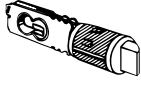
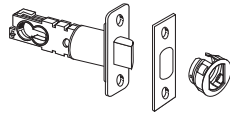
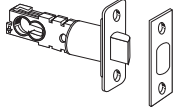
*Specify lip when ordering



| Handleset Strikes | | | | | | |
|-------------------|----------------|--|--------------|-----------------|-------------------|------------|
| Combo Part Number | Specify Finish | Description | Latch Strike | Deadbolt Strike | Add to Lock Price | Price Each |
| 10-248 | • | Square corner and 1/4" round corner latch strike, square corner, no box, deadbolt strike | 10-063 | 10-094 | N/C | N/C |
| 10-253 | • | Square corner latch strike and thimble deadbolt strike | 10-026 | 10-064 | N/C | 16.20 |
| 10-254 | • | Square corner latch strike | 10-026 | 10-094 | N/C | N/C |
| 10-256 | • | 1/4" radius corner latch strike and thimble deadbolt strike | 10-027 | 10-064 | N/C | 16.20 |
| 10-257 | • | 1/4" radius corner strikes | 10-027 | 10-092 | N/C | 12.60 |
| 10-258 | • | Circular latch strike and thimble deadbolt strike | 10-058 | 10-064 | N/C | 19.10 |
| 10-259 | • | Square corner, full lip, no box | 10-026 | 10-095 | N/C | 12.60 |
| 10-260 | • | 1/4" round corner latch strike, square corner, no box | 10-027 | 10-094 | N/C | N/C |
| 10-265 | • | Square corner and 1/4" round corner latch strike, square corner, box, deadbolt strike | 10-063 | 10-081 | N/C | N/C |

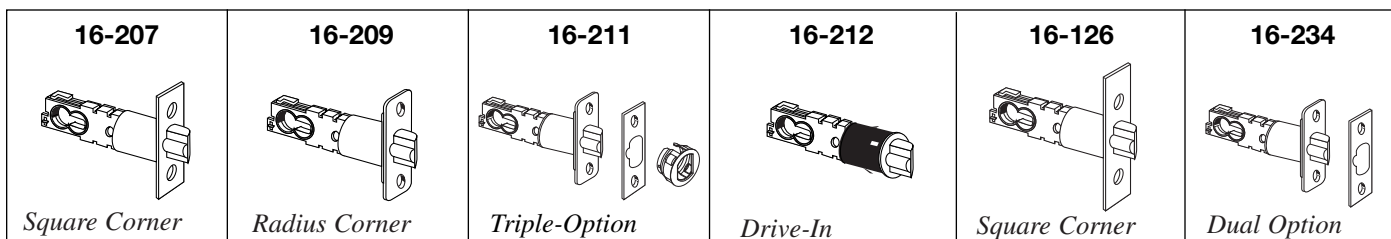
| | | | | | |
|--|--|--|---|---|--|
| <p>12-300</p>  <p><i>Triple-Option</i></p> | <p>12-301</p>  <p><i>Square Corner</i></p> | <p>12-302</p>  <p><i>Radius Corner</i></p> | <p>12-303</p>  <p><i>Drive-in</i></p> | <p>12-306</p>  <p><i>Square Corner (5")</i></p> | <p>12-313</p>  <p><i>Dual Option</i></p> |
|--|--|--|---|---|--|

| Deadbolt Latches | | | | | | |
|------------------|----------------|------------------|---------------------------------|------------|-------------------|------------|
| Part Number | Specify Finish | Backset | Description | Hsg Dia | Add to Lock Price | Price Each |
| 12-300 | • | 2 3/8" or 2 3/4" | Triple-option | 7/8" or 1" | N/C | \$22.60 |
| 12-301 | • | 2 3/8" or 2 3/4" | Square corner, 1" x 2 1/4" | 7/8" | N/C | \$12.70 |
| 12-302 | • | 2 3/8" or 2 3/4" | 1/4" Radius corner, 1" x 2 1/4" | 1" | N/C | \$12.70 |
| 12-303 | 626 only | 2 3/8" or 2 3/4" | Circular, drive-in | 1" | N/C | \$12.70 |
| 12-304* | • | 2 3/8" or 2 3/4" | Square corner, 1 1/8" x 2 1/4" | 7/8" | N/C | \$14.50 |
| 12-306 | • | 5" | Square corner, 1" x 2 1/4" | 7/8" | \$5.80 | \$20.20 |
| 12-313 | • | 2 3/8" or 2 3/4" | Dual option, 1" x 2 1/4" | – | N/C | \$22.60 |

| | | | | |
|--|--|---|---|--|
| <p>16-200</p>  <p><i>Square Corner</i></p> | <p>16-201</p>  <p><i>Radius Corner</i></p> | <p>16-202</p>  <p><i>Drive-In</i></p> | <p>16-210</p>  <p><i>Triple-Option</i></p> | <p>16-233</p>  <p><i>Dual Option</i></p> |
|--|--|---|---|--|

| Springlatches | | | | | | |
|---------------|----------------|------------------|--|------------|-------------------|------------|
| Part Number | Specify Finish | Backset | Description | Lip Length | Add to Lock Price | Price Each |
| 16-200 | • | 2 3/8" or 2 3/4" | Square corner, 1" x 2 1/4" | 7/8" | N/C | 12.30 |
| 16-201 | • | 2 3/8" or 2 3/4" | 1/4" Radius corner, 1" x 2 1/4", standard | 1" | N/C | 12.30 |
| 16-202 | 626 only | 2 3/8" or 2 3/4" | Circular drive-in | 7/8" or 1" | N/C | 12.30 |
| 16-210 | • | 2 3/8" or 2 3/4" | Triple-Option | 7/8" or 1" | N/C | 13.30 |
| 16-233 | • | 2 3/8" or 2 3/4" | Dual option radius and square corner faceplate 1" x 2 1/4" | 7/8" or 1" | N/C | 13.30 |

| Deadbolt/Springlelatch Combinations | | | | | | | | |
|-------------------------------------|----------------|------------------|--------------------------------------|--------|----------|------------|-------------------|------------|
| Part Number | Specify Finish | Backset | Description | Latch | Deadbolt | Hsg Dia | Add to Lock Price | Price Each |
| 16-235 | • | 2 3/8" or 2 3/4" | Triple-Option | 16-210 | 12-300 | 7/8" or 1" | N/C | \$36.60 |
| 16-236 | • | 2 3/8" or 2 3/4" | Square corner, 1" x 2 1/4" | 16-200 | 12-301 | 7/8" | N/C | 26.20 |
| 16-237 | • | 2 3/8" or 2 3/4" | 1/4" Radius corner, 1" x 2 1/4" Std. | 16-201 | 12-302 | 7/8" | N/C | 26.20 |
| 16-238 | | 2 3/8" or 2 3/4" | Circular, drive-in, 626 finish only | 16-202 | 12-303 | 1" | N/C | 27.50 |
| 16-239* | • | 2 3/8" or 2 3/4" | Square corner, 1 1/8" x 2 1/4" | 16-200 | 12-304 | 1" | N/C | 27.40 |
| 16-242 | • | 2 3/8" or 2 3/4" | Dual Radius corner | 16-233 | 12-313 | 7/8" | N/C | 36.60 |



| Deadlatches | | | | | | | |
|-------------|----------------|------------------|---|------------|-------------------|------------|--|
| Part Number | Specify Finish | Backset | Description | Lip Length | Add to Lock Price | Price Each | |
| 16-207** | • | 2 3/8" or 2 3/4" | Square corner, 1" x 2 1/4" | 7/8" | N/C | \$13.50 | |
| 16-209 | • | 2 3/8" or 2 3/4" | 1/4" Round corner, 1" x 2 1/4", standard | 7/8" | N/C | 13.50 | |
| 16-211 | • | 2 3/8" or 2 3/4" | Triple-Option | 7/8" or 1" | N/C | 15.00 | |
| 16-212 | • | 2 3/8" or 2 3/4" | Circular drive-in, 626 finish only | 1" | N/C | 13.50 | |
| 16-126** | • | 5" | Square corner, 1" x 2 1/4" | 7/8" | \$4.90 | 13.50 | |
| 16-234 | • | 2 3/8" or 2 3/4" | Dual option radius and square 1" x 2 1/4" | 7/8" or 1" | N/C | 15.00 | |

| DeadLatches for UL Listed locks: F10CF and F51CF / FA10F and FA51F | | | | | | | |
|--|----------------|------------------|--|---------|-------------------|------------|--|
| Part Number | Specify Finish | Backset | Description | Hsg Dia | Add to Lock Price | Price Each | |
| 16-132** | • | 5" | Square corner, 1 1/8" x 2 1/4" | 1" | \$6.60 | \$27.60 | |
| 16-203** | • | 2 3/8" or 2 3/4" | Square corner, 1" x 2 1/4", standard for UL listed locks | 7/8" | N/C | 21.60 | |
| 16-204 | • | 2 3/8" or 2 3/4" | 1/4" Round corner, 1" x 2 1/4" | 7/8" | | 21.60 | |

* Includes (2) A501-878 faceplate adapters and (2) G506-815 housing sleeves.

** Latches include A501-878 faceplate adapter for 1 1/8" face.

- Notes:**
- 1) Locks are furnished with standard component unless otherwise specified
 - 2) When ordering latches a separate parts use "Price Each"
 - 3) When ordering non-standard options add indicated price to complete lock price
 - 4) Failure to use the UL deadlatches with the lockset will invalidate UL listing and the ANSI Grade 2 certification

| Screw Packs (Order in Multiples of 100) | | | | | | |
|--|----------------|--|--|------------------|------------------|---------------|
| Part Number | Specify Finish | Description | Door Thickness | Type | Size | Price Each |
| B300-112 | • | Mounting screw, cylinder, F360, F393 | 1 5/8" - 1 7/8" | POH machine | 1/4"-28 x 2 1/8" | \$1.20 |
| B300-113 | • | Mounting screw, cylinder, F360, F393 | Over 1 7/8"- 2" | POH machine | 1/4"-28 x 2 5/8" | 1.20 |
| B300-208 | • | Drive pin, F362 | – | – | – | 1.20 |
| B300-212 | • | Mounting screw, cylinder, F362 | 1 5/8" - 1 7/8" | SH machine | 1/4"-28 x 2 3/4" | 1.20 |
| B300-213 | • | Mounting screw, cylinder, F363 | Over 1 7/8"- 2" | SH machine | 1/4"-28 x 3 1/4" | 1.20 |
| B502-822 | • | Circular strike | – | POH wood | 6 x 3/4" | 0.60 |
| C603-897 | • | Deadbolt and strike screw | -- | PFH Combo | 8 x 3/4" | 0.60 |
| C604-246 | • | Latch and strike | – | PFH Combo | 8 x 3/4" | 0.60 |
| ER90-087 | • | Screw handleset, PAR and PLY, all functions | – | POH wood/machine | 8-32 x 1" | 0.60 |
| F506-000 | • | Mounting screw, chassis, all functions | 1 3/8" - 1 7/8" (1 5/8" - 1 7/8" for F300-series) | RPH Mach | 8-32 x 7/8" | 0.50 |
| F506-237 | • | Latch and strike | – | PFH wood | 8-32 x 3/4" | 0.50 |
| F506-359 | • | Mounting Plate | – | POH Wood | 8 x 3/4" | 0.60 |
| F506-455 | • | Screws, escutcheons, all functions | – | POH wood/machine | 8-32 x 1 1/4" | 0.60 |
| F506-826 | • | Thru-bolt, F360, F362, F393 | – | Screw Post | – | 1.20 |
| F605-232 | | Washer F360, F362, F393 | – | – | – | 0.50 |
| F605-256 | | Screw, handleset BOW & CEN, F360, F362, F393 | 1 5/8" - 2" | SH machine | 1/4"-20 x 2 1/2" | 0.50 |
| F605-273 | • | Thru-bolt, PAR & PLY, F360, F362, F393 | – | Screw Post | – | 1.20 |

| Screw Packs | | | | | |
|--------------------|----------------|--|--|---|---------------|
| Part Number | Specify Finish | Description | Door Thickness | Content | Price Each |
| 40-135 | • | Escutcheon screw packs - FA10, FA40, FA170 | 1 3/8" - 1 3/4" | (2) mounting screws (2) mounting posts | \$8.40 |
| B202-578 | • | All Functions FA-series | | (4)C604-246 | 4.20 |
| B220-112 | • | Keyed, single cylinder, B360N | 5pin: 1 3/8" - 1 3/4" 6pin: 1 5/8" - 1 3/4" | (2)B300-112 | 4.80 |
| B220-115 | | Keyed, double cylinder, B362N | 5pin: 1 3/8" - 1 3/4" 6pin: 1 5/8" - 1 3/4" | (2)B300-212 (2)B300-208 | 7.50 |
| F206-412 | • | Screw Packs - FA360 | 1 5/8" - 2" | (2)B300-112 (2)B300-113 (8)F506-237 (2)F506-000 | 14.20 |
| F206-175 | • | Screw Packs - FA10, FA30, FA40, FA51, | 1 3/8" - 1 3/4" | (2)F506-000 | 4.40 |
| F206-413 | • | Screw Packs - FA362 | 1 5/8" - 2" | (2)B300-213 (2)B300-212 (8)F506-237 (2)F506-000 (2)B300-208 | 24.40 |
| F206-414 | • | Screw Packs - FA393 | 1 5/8" - 2" | (2)B300-112 (2)B300-113 (2)F506-000 | 7.20 |
| F206-425 | • | Escutcheon screw packs - FA10, FA40, FA170 | -- | (4)F506-455 | 2.80 |
| F206-434 | • | Escutcheon screw packs - FA10, FA40, FA170 | -- | (2)F506-455 | 1.60 |

| Miscellaneous Parts | | | |
|----------------------------|-----------------------|---|-------------------|
| Part Number | Specify Finish | Description | Price Each |
| A501-565* | | Reinforcer for 1 3/8" thick non-reinforced metal doors. Fits both 7/8" and 1" diameter housing (2 required per lock) | \$6.70 |
| A501-566* | | Reinforcer for 1 3/4" thick non-reinforced metal doors. Fits both 7/8" and 1" diameter housing (2 required per lock) | 6.70 |
| A501-878 | | Faceplate adapter to adapt 1" faceplate to 1 1/8" door preparation (Order in Multiples of 100) | 0.50 |
| B202-547 | | Thick door kit, Single cylinder deadbolts, 2" - 2 1/2" | 9.20 |
| B202-549 | | Thick door kit, Double cylinder deadbolts and handlesets, 2"- 2 1/2" | 11.40 |
| B300-114 | | Adapter ring for 2 1/8" door preparation - FA300 Series | 7.10 |
| F206-437 | | Thick door kit, Single cylinder handlesets, 2" - 2 1/2" | 11.40 |
| G506-815 | | 1" Long latch housing sleeve to adapt 7/8" diameter housing to 1" bore | 4.70 |

* Specify door thickness, includes A501-567 and A501-565, or A501-566

- Notes:**
- 1) 5" Backset extension links installed in 1" latch holes require one G506-815 sleeve to join latch and link
 - 2) Links installed in metal doors require reinforcement

Terms and Conditions

Terms4
 Hardware Finishes5
 Product Warranties6

BOX PACK

JD-Series

Exploded View8
 Table of Contents9
 Freight Weight.....9
 Functions.....10
 Complete Locks11

JH-Series, JI-Series & JT-Series

Exploded View12
 Table of Contents13
 Freight Weight.....13
 Functions.....14
 Complete Locks15

J-Series Levers

Exploded View16
 Table of Contents17
 Freight Weight.....17
 Functions.....18
 Complete Locks19-21

J-Series Knobs

Exploded View22
 Table of Contents23
 Freight Weight.....23
 Functions.....24
 Complete Locks25

J - SERIES PARTS

J-Series Parts Section Break26
 Latches27
 Strikes28
 Screw Packs29
 Rekeying Pinning Parts & Accessories30
 Cylinder & Cylinder Parts31
 Keys & Keying32
 Mounts33

This price list supersedes and cancels all previous price lists. Prices shown are subject to change without notice. All prices are subject to discount. Products considered "Specials" ("X" designated part numbers) fall outside of standard discount terms. Contact customer service for clarification.

Cash Discount:

2% 20 days, net 35 days from date of invoice.

Service Charges:

Service charges on past due invoices (except validly disputed items) will be assessed as follows: 1-1/2% per month or the maximum allowable by law on past due amounts open as of the last day of each calendar month until the past due amounts are paid.

Changes or Cancellations:

Changes or cancellations to an order must be in writing and may result in additional charges for labor and/or materials. Changes may result in a delay in the scheduled ship date. Additions to orders will be entered as separate stand-alone orders and must qualify for all terms of sale, including discounts, on an individual basis. Changes or deletions resulting in an order size of less than our minimum will not be accepted. Orders for non-cataloged, special or nonstandard items may not be canceled. Factory orders may not be changed within 30 days of the scheduled ship date.

Claims and Returns:

Claims for shortages and/or incorrectly filled orders must be filed with Customer Service within 10 days of receipt of material. Price adjustments must also be made in writing to Customer Service within 30 days from receipt of invoice. No returned goods will be accepted without written approval from Schlage. Credit will be based upon the written authorization of the Regional Account Manager and final acceptance by Schlage. Such returns must be prominently marked with the return goods authorization number and shipped prepaid. Returns, if approved, will be subject to a minimum restocking charge of 25% for unopened cases of stock product and must be received in mint condition. Non-stock materials are not returnable. Under no circumstance is Schlage liable for incidental or consequential damages. Charge-backs will not be allowed.

Freight Policy:

All customer orders in excess of \$1,000 list will be shipped freight prepaid by Schlage to a single destination point in the U.S. All orders less than this amount will ship from either our factory or distribution service center via UPS/RPS prepaid and actual freight will be indicated on the customer's invoice. All goods are shipped F.O.B. factory or DSC and become the customer's property when they pass into the hands of the transportation company. Schlage reserves the right to use our choice of carrier. Schlage will ship as requested, freight collect, if the customer is willing to bear the entire expense and so indicates on the order.

Taxes:

Prices do not include any present or future Federal, State or local property, license, privilege, sales, use, excise, gross receipts or other like taxes or assessments which may result from transactions or any services performed in connection therewith.

Delivery:

Orders will be assigned ship dates and acknowledged accordingly, based on estimates of availability of products. Specific scheduled ship dates are not guaranteed by Schlage because of the nature of product, labor, availability of material or manufacturing conditions that might be beyond our control. Schlage will not be liable for back charges incurred based on availability of product in accordance with acknowledged ship dates.

Certifications:

Dexter by Schlage products, as noted in our catalog, are tested by independent laboratories for compliance with UL and ANSI standards. Any field modification or alteration of product will void certification.

Copyright 2006, Schlage Lock Company
All rights reserved. Printed in U.S.A.

Hardware Finishes

Dexter finishes are durable, top quality finishes obtained by the careful processing of solid brass, stainless steel or other materials. Where required, a protective clear coating is applied and cured under high temperature. It is important that climactic conditions and usage be taken under consideration when selecting finishes. This is especially true in areas subjected to strong corrosive vapors, humid climate or sea air which, in a short time, may have a damaging effect on metal finishes. The longevity and preservation of the finish appearance is determined by base metal and finishing process. Clear protective coating or other organic finishing applications may require different methods of cleaning and care. As an example, non-clear coated finishes should not be cleaned with soaps or any solvents; organically coated surfaces should periodically be cleaned with a mild, non-abrasive soap and buffed lightly with a clean cloth. The type of base metal and finishing techniques must be considered when applying any cleaning or preservative method. Contact the Schlage Technical Service Department for further information on the care of finished hardware.

In some instances, for customer convenience, the most appropriate Builders Hardware Manufacturers Association (BHMA) finish symbols are used to indicate similarity of appearance, regardless of base metal of finishing process. J-Series levers are zinc-based material and are plated to match finishes indicated. Finish numbers in the 600-Series are the BHMA industry standard. The nearest old U.S. equivalent code designations are shown in parentheses.

Refer to each lock series section for standard finish availability.

FINISH CODES AND DESCRIPTIONS

| Code | Description |
|-------------|---|
| 605 (US3) | BRIGHT BRASS, Clear Coated |
| 609 (US5) | ANTIQUÉ BRASS, Satin Brass, Blackened, Satin Relieved, Clear Coated |
| 619 (US15) | SATIN NICKEL, Clear Coated |
| 620 (US15A) | ANTIQUÉ PEWTER, Clear Coated |
| 625 (US26) | BRIGHT CHROME, Clear Coated |
| 630 (US32D) | SATIN STAINLESS STEEL, No Coating |
| 716 | AGED BRONZE, Clear Coated |

Lifetime Mechanical Warranty

Schlage Lock Company ("Schlage") extends a lifetime Mechanical Warranty to the original user ("User") of Dexter by Schlage products ("Product") against mechanical defects in material and workmanship as long as the User occupies the residential premises in which the Product was originally installed.

This warranty DOES NOT COVER (i) product finish, (ii) abused or misused Products, or (iii) Products used in commercial applications. Upon return of a defective Product to Schlage, Schlage shall either replace the Product or refund the purchase price in exchange for the Product.

SCHLAGE MAKES NO OTHER WARRANTY, CONDITION OR REPRESENTATION OF ANY KIND WHATSOEVER, EXPRESSED OR IMPLIED, STATUTORY OR OTHERWISE, EXCEPT THAT OF TITLE, AND ALL IMPLIED WARRANTIES AND CONDITIONS RELATING TO MERCHANTABILITY AND FITNESS FOR A PARTICULAR PURPOSE, ARE HEREBY DISCLAIMED.

IN NO EVENT SHALL SCHLAGE BE LIABLE FOR ANY INCIDENTAL, SPECIAL, INDIRECT, PUNITIVE OR CONSEQUENTIAL DAMAGES ARISING FROM THE SALE, USE OR MISUSE OF THIS PRODUCT.

Note: Some states do not allow limitations on incidental, special, or consequential damages, so the above limitations may not fully apply.

This warranty gives specific legal rights, and you may also have other rights which vary from state to state.

5-Year Finish Warranty

Schlage Lock Company ("Schlage") extends a 5-Year Finish Warranty to the original user ("User") of Dexter by Schlage products ("Product") against tarnishing, and damage from corrosives like salt, sun, humidity and cleaning products for a period of 5 years provided that the User continues to occupy the residential premises in which the Product was originally installed.

This warranty DOES NOT COVER (i) scratches or abrasion, (ii) abused or misused Products, or (iii) Products used in commercial applications.

Upon return of a defective Product to Schlage, Schlage shall either replace the Product or refund the purchase price in exchange for the Product.

SCHLAGE MAKES NO OTHER WARRANTY, CONDITION OR REPRESENTATION OF ANY KIND WHATSOEVER, EXPRESSED OR IMPLIED, STATUTORY OR OTHERWISE, EXCEPT THAT OF TITLE, AND ALL IMPLIED WARRANTIES AND CONDITIONS RELATING TO MERCHANTABILITY AND FITNESS FOR A PARTICULAR PURPOSE, ARE HEREBY DISCLAIMED.

IN NO EVENT SHALL SCHLAGE BE LIABLE FOR ANY INCIDENTAL, SPECIAL, INDIRECT, PUNITIVE OR CONSEQUENTIAL DAMAGES ARISING FROM THE SALE, USE OR MISUSE OF THIS PRODUCT.

Note: Some states do not allow limitations on incidental, special, or consequential damages, so the above limitations may not fully apply.

This warranty gives specific legal rights, and you may also have other rights which vary from state to state.

Product Warranties, Additional Terms and Conditions

THE COMPANY MAKES NO OTHER WARRANTY, AND ALL IMPLIED WARRANTIES INCLUDING ANY WARRANTY OF MERCHANTABILITY OR FITNESS FOR A PARTICULAR PURPOSE ARE HEREBY DISCLAIMED.

THE COMPANY'S MAXIMUM LIABILITY HEREUNDER IS LIMITED TO THE PURCHASE PRICE OF THE PRODUCT. IN NO EVENT SHALL THE COMPANY BE LIABLE FOR ANY CONSEQUENTIAL, INDIRECT, INCIDENTAL OR SPECIAL DAMAGES OF ANY NATURE ARISING FROM THE SALE OR USE OF THIS PRODUCT, WHETHER IN CONTRACT, TORT, STRICT LIABILITY OR OTHERWISE.

Should the Product be considered a consumer product as may be covered by the Magnusson Moss Federal Warranty Act, please be advised that: (1) Some states do not allow limitations on incidental consequential damages or how long an implied warranty lasts so that the above limitations may not fully apply; (2) This warranty gives specific legal rights and a buyer may also have other rights which may vary from state to state.

For warranty service and shipping instructions, contact the:
Schlage Lock Company
1010 Santa Fe
Olathe, KS 66051-1210
(888) 805-9837

The Schlage Lock Company reserves the right to make changes in designs and specifications or to make additions or improvements on its products without notice and without incurring any obligation to incorporate them on products previously manufactured. The Schlage Lock Company is not responsible for any modification, addition or alteration to our products by others.

Distribution Function and Location Policy

The Schlage customer relationship includes the nonexclusive area of primary sales responsibility and the channel of distribution assigned by Schlage. Each member of the Schlage channel of distribution is free to sell in any area and at any price. It is vital to our success and for the effective management of the distribution of our products that the Schlage customer relationship, once it is satisfactorily established between us, should not be changed without our approval. Therefore, after selection by Schlage as a distributor of one or more of Schlage products, a customer should continue to perform that distribution function from the location of its business at the place or places utilized at the time of selection. A customer should not change its Schlage distribution function or establish a different or additional location without the prior written consent of Schlage.

Schlage reserves the right to discontinue, after appropriate notice, sale of its products to any customer which refuses to adhere to this policy. Schlage also reserves the right to change, in its sole discretion, the number and locations of the distributors authorized to distribute its products in any area. This determination will be based upon, among other considerations, the success or failure in developing the market for Schlage products.

JD-Series

Exploded View - JD60

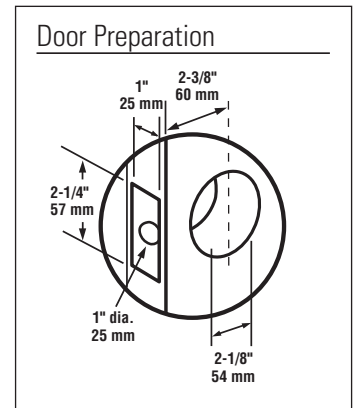
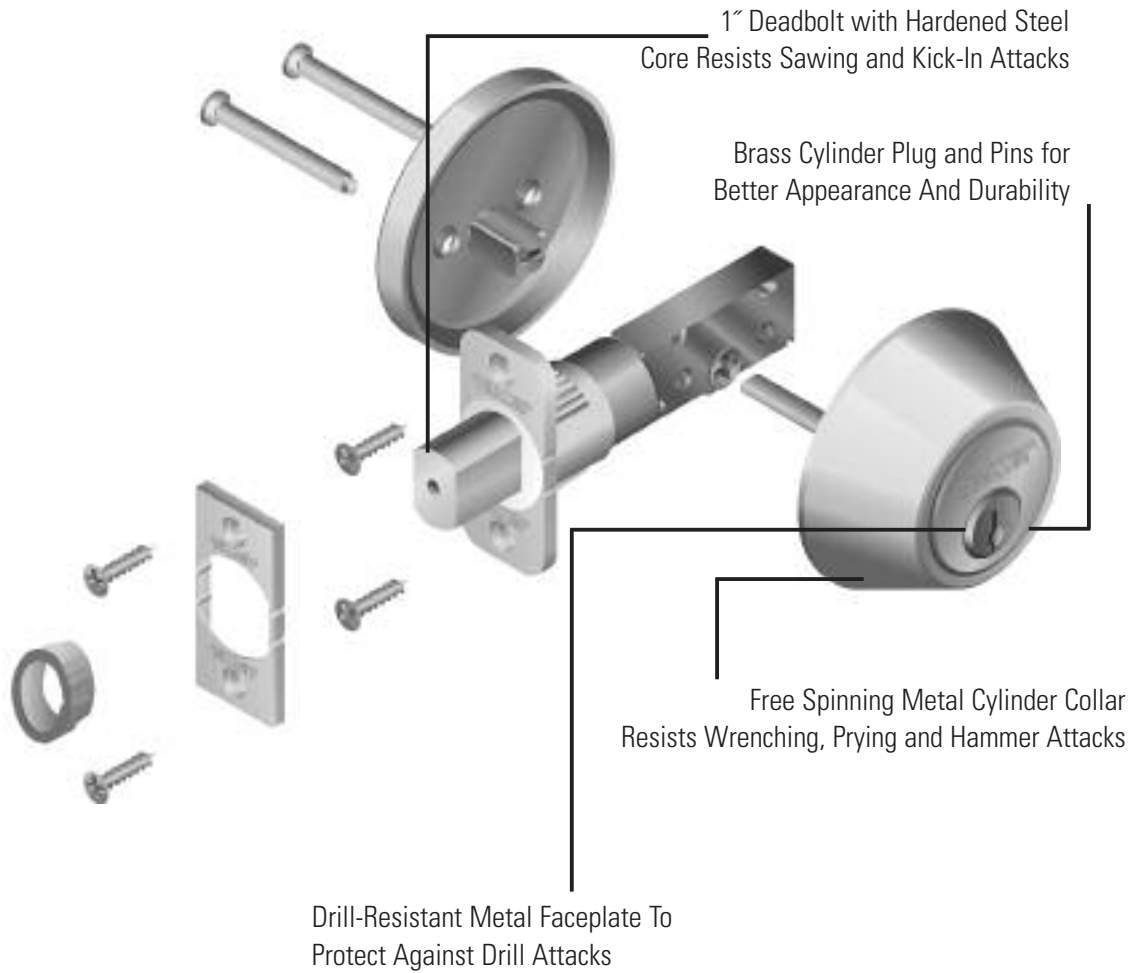
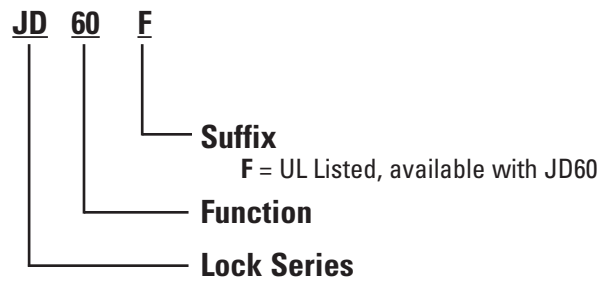


Table of Contents

Freight Weight9
 Functions10
 Complete Locks11

Product Identification



Finish Codes and Descriptions*

| Code | Description |
|-------------|-----------------------|
| 605 (US3) | Bright Brass |
| 609 (US5) | Antique Brass |
| 619 (US15) | Satin Nickel |
| 620 (US15A) | Antique Pewter |
| 625 (US26) | Bright Chrome |
| 630 (US32D) | Satin Stainless Steel |
| 716 | Aged Bronze |

*See **Terms and Conditions** for further finish details

Standard Features

| | |
|----------------|--|
| Certification | ANSI A156.5, 2001, Grade 3 |
| Deadbolt Latch | Triple Option: 1" x 2-1/4", square corner and 1/4" round faceplates, drive-in latch, 1" housing diameter, 1" throw |
| Strike | 1" x 2-1/4" round corner and radius corner, full lip |
| Backset | Adjustable for 2-3/8" or 2-3/4" |
| Cylinder | 5-Pin, C keyway, keyed alike (KA4) |
| Door Range | 1-3/8" - 1-3/4" |
| Keys | Two brass cut keys per lock, 5-pin, C section |

BOX PACK - Deadbolt Freight Weight

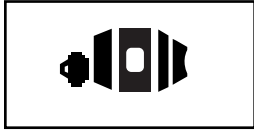
| Lock Series | Functions | Case QTY | Average Wt/Case | Cubic Feet | Case Dimensions (inches) | | |
|-------------|-----------|----------|-----------------|------------|--------------------------|-------|-------|
| | | | | | Length | Width | Depth |
| JD | JD60 | 24 | 35.85 | .93 | 13.58 | 12.01 | 8.46 |
| | JD62 | 24 | 44.66 | .93 | 13.58 | 12.01 | 8.46 |
| | JD80 | 24 | 21.04 | .55 | 10.87 | 9.73 | 7.48 |
| | JD81 | 24 | 25.30 | .58 | 12.28 | 10.35 | 7.87 |

ANSI A156.5, 2001, Grade 3

Bored Deadbolt Locks

Dexter ANSI

JD60 E2153 Single Cylinder Deadbolt Lock



Deadbolt thrown or retracted by key from outside or by inside turn unit. Bolt automatically deadlocks when fully thrown.

JD62^(x) E2143 Double Cylinder Deadbolt Lock*



Deadbolt thrown or retracted by key either side. Bolt automatically deadlocks when fully thrown.

JD80 E2193 One Sided Deadbolt



Deadbolt thrown or retracted from interior side only.

JD81 Single Cylinder Deadbolt Lock

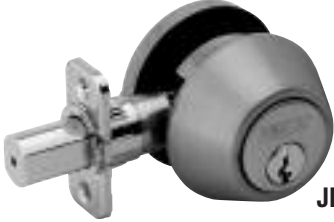


Deadbolt thrown or retracted from interior side only. Bolt automatically deadlocks when fully thrown.

* **Caution:** Double cylinder locks on residences and any door in any structure which is used for egress are a life safety hazard in times of emergency and their use is not recommended. Installation should be in accordance with existing codes only.
 (x) **Discontinued** – Available while supplies last

JD SERIES DEADBOLTS

COMPLETE LOCKS




JD60

Available in:
 605 - Bright Brass
 609 - Antique Brass
 619 - Satin Nickel
 620 - Antique Pewter
 625 - Bright Chrome
 630 - Satin Stainless Steel
 716 - Aged Bronze

JD60

| Product | Function | Finish | | | | | | | |
|---------|--------------------------|---------|---------|---------|---------|---------|---------|---------|---------|
| | | 605 | 609 | 619 | 620 | 625 | 630 | 716 | 609/605 |
| JD60 | Single Cylinder Deadbolt | \$25.40 | \$27.60 | \$27.80 | \$27.80 | \$27.80 | \$27.60 | \$27.80 | \$27.60 |

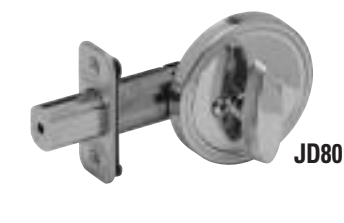


JD62

Available in:
 605 - Bright Brass
 609 - Antique Brass
 619 - Satin Nickel
 620 - Antique Pewter
 625 - Bright Chrome
 630 - Satin Stainless Steel
 716 - Aged Bronze

JD62

| Product | Function | Finish | | | | | | | |
|---------|--------------------------|---------|---------|---------|---------|---------|---------|---------|---------|
| | | 605 | 609 | 619 | 620 | 625 | 630 | 716 | 609/605 |
| JD62(x) | Double Cylinder Deadbolt | \$33.00 | \$35.20 | \$35.70 | \$35.70 | \$35.70 | \$35.20 | \$35.70 | — |




JD80

Available in:
 605 - Bright Brass
 609 - Antique Brass
 619 - Satin Nickel
 630 - Satin Stainless Steel
 716 - Aged Bronze

JD80

| Product | Function | Finish | | | | | | | |
|---------|--------------------|---------|---------|---------|-----|-----|---------|---------|---------|
| | | 605 | 609 | 619 | 620 | 625 | 630 | 716 | 609/605 |
| JD80 | One-Sided Deadbolt | \$17.90 | \$18.90 | \$19.40 | — | — | \$18.90 | \$19.40 | — |



JD81

Available in:
 605 - Bright Brass
 609 - Antique Brass
 619 - Satin Nickel
 630 - Satin Stainless Steel

JD81

| Product | Function | Finish | | | | | | | |
|---------|--------------------|---------|---------|---------|-----|-----|---------|-----|---------|
| | | 605 | 609 | 619 | 620 | 625 | 630 | 716 | 609/605 |
| JD81 | One-Sided Deadbolt | \$19.40 | \$20.50 | \$21.00 | — | — | \$20.50 | — | — |

- Notes:**
- 1) Adjustable backset, 2-3/8" or 2-3/4"
 - 2) Round corner strike, standard
 - 3) 16-068 Triple option latch standard
 - 4) Latches staked with radius faceplates
 - 5) 3" screws, with 1" or 2-1/4" round corner strike
 - 6) Keying: 5 pin tumbler C keyway. Keyable to Schlage Locks
 - 7) For UL Listed JD60 function add \$5.60
 - 8) All Deadbolts are KA4

(x) **Discontinued** – Available while supplies last

JH-Series

Exploded View - JH60 Barcelona

Free Spinning Solid Metal Cylinder Collar Resists Wrenching, Prying and Hammer Attacks

Drill-Resistant Metal Faceplate To Protect Against Drill Attacks

Brass Cylinder Plug and Pins for Better Appearance and Durability

1" Deadbolt with Hardened Steel Core Resists Sawing and Kick-In Attacks

Adjustable Spring Latch Fits 2-3/8" or 2-3/4" Backsets

Screw Posts For Easy Installation

Solid Brass Grip

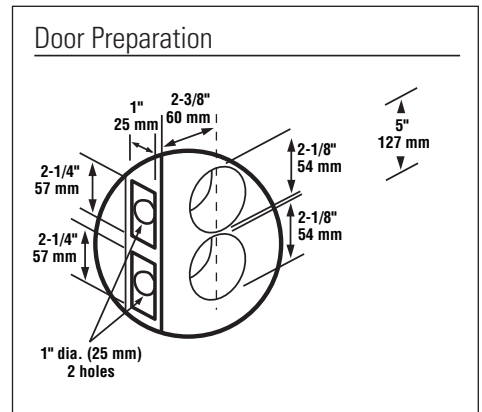
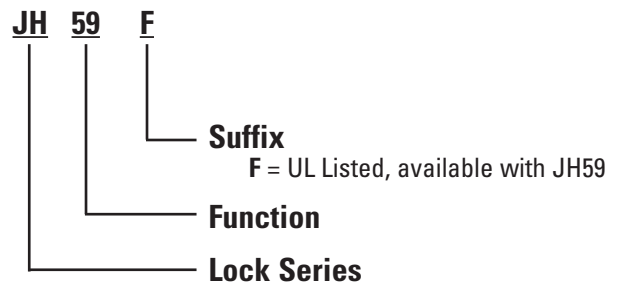


Table of Contents

Freight Weight13
 Functions14
 Complete Locks15

Product Identification



Finish Codes and Descriptions*

| Code | Description |
|-------------|-----------------------|
| 605 (US3) | Bright Brass |
| 609 (US5) | Antique Brass |
| 619 (US15) | Satin Nickel |
| 620 (US15A) | Antique Pewter |
| 625 (US26) | Bright Chrome |
| 630 (US32D) | Satin Stainless Steel |
| 716 | Aged Bronze |

*See *Terms and Conditions* for further finish details

JH, JI & JT SERIES HANDLESETS

Standard Features

| | |
|-----------------|--|
| Certification | ANSI A156.5, 2001, Grade 3, Entry Handleset |
| Deadbolt Latch | Triple Option: 1" x 2-1/4", square corner and 1/4" round faceplates, and drive-in latch, 1" housing diameter, 1" throw |
| Spring Latch | Dual Option: 1" x 2-1/4", 1/4" round face plate and drive-in |
| Deadbolt Strike | 1" x 2-1/4", round corner and radius corner, full lip |
| Latch Strike | 1-5/8" x 2-1/4", radius corner, full lip |
| Backset | Adjustable for 2-3/8" or 2-3/4" |
| Cylinder | 5-Pin, C keyway, keyed different (KD) |
| Door Range | 1-3/8" - 1-3/4" |
| Keys | Two brass cut keys per lock, 5-pin, C section |

BOX PACK - Handleset Freight Weight

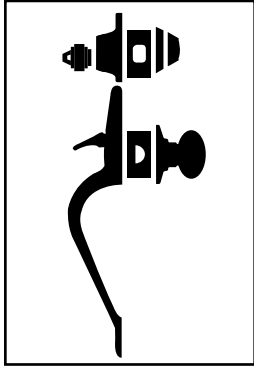
| Lock Series | Functions | Case QTY | Average Wt/Case | Cubic Feet | Case Dimensions (inches) | | |
|-------------|-----------|----------|-----------------|------------|--------------------------|-------|-------|
| | | | | | Length | Width | Depth |
| JH | JH60 | 4 | 20.24 | .80 | 11.81 | 7.68 | 13.19 |
| | JH62 | 4 | 21.34 | .80 | 11.81 | 7.68 | 13.19 |
| | JH193 | 4 | 16.06 | .80 | 11.02 | 15.35 | 17.91 |
| | JH58 | 4 | 13.86 | .80 | 11.81 | 7.68 | 13.19 |
| | JH59 | 24 | 26.77 | 1.20 | 16.54 | 13.39 | 8.27 |
| JI | JI58 | 24 | 30.36 | 1.56 | 21.18 | 17.80 | 6.38 |
| | JI59 | 12 | 33.88 | 1.10 | 13.58 | 12.80 | 9.84 |
| | JI18 | 24 | 29.04 | 1.56 | 21.18 | 17.80 | 6.38 |
| | JI19 | 12 | 34.32 | 1.10 | 13.58 | 12.80 | 9.84 |
| JT | JT58 | 20 | 27.72 | 1.83 | 14.96 | 13.39 | 14.17 |

ANSI A 156.5, 2001, Grade 3

Entrance Handlesets

Dexter

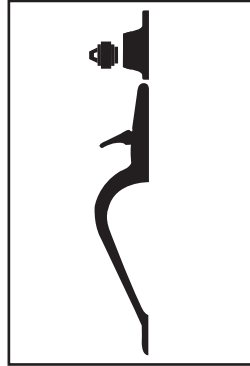
JH60



Entrance Lock

Deadbolt thrown or retracted by key from outside or by inside turn unit. Latch retracted by thumbpiece from outside or by inside knob/lever.

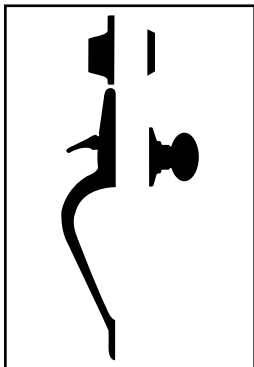
JH58



Outside Handleset

Outside grip and deadbolt trim of JH60.

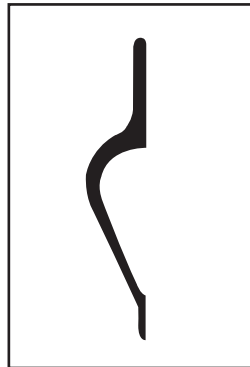
JH193



Outside and Inside Dummy Trim

For use as door pull or as dummy trim on inactive leaf of pair of doors. Fixed thumbpiece and inside knob/lever. Dummy cylinder with inside plate.

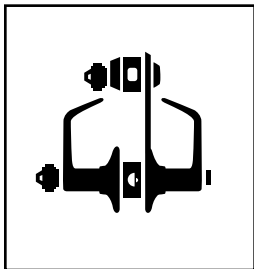
JT58^(x)



Handleset Trim

Outside decorative trim to be installed with J54 locksets.

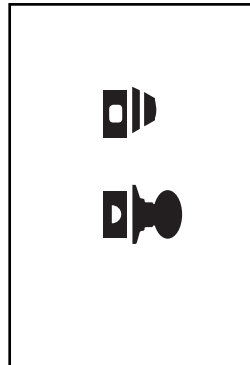
JI58/59



Keyed Entrance Lock (Interconnect)

Deadbolt operated by key from outside or by turn unit from inside. Bolt automatically deadlocks when fully thrown. Outside lever unlocked by key from outside when locked by turn button in inside lever. Turning inside lever retracts deadbolt and latch simultaneously for immediate exit. Latch automatically deadlocks when door is closed.

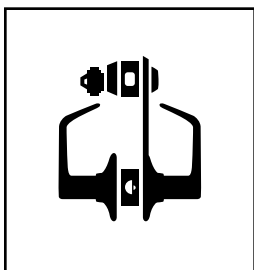
JH59



Inside Handleset

Inside trim, deadbolt, latch, screws and strikes of JH60.

JI18/19




Passage Lock with Keyed Deadbolt (Interconnect)

Deadbolt operated by key from outside or by turn unit from inside. Bolt automatically deadlocks when fully thrown. Latch retracted by lever from either side. Turning inside lever retracts deadbolt and latch simultaneously for immediate exit.


(x) *Discontinued* – Available while supplies last

JH SERIES & JT SERIES HANDLESETS


COMPLETE LOCKS



Available in:
 605 - Bright Brass
 609 - Antique Brass
 619 - Satin Nickel
 620 - Antique Pewter
 625 - Bright Chrome
 630 - Satin Stainless Steel
 716 - Aged Bronze
BARCELONA



Available in:
 605 - Bright Brass
 609 - Antique Brass
 619 - Satin Nickel
 620 - Antique Pewter
 625 - Bright Chrome
 630 - Satin Stainless Steel
 716 - Aged Bronze
PARIS



Available in:
 605 - Bright Brass
 609 - Antique Brass
 619 - Satin Nickel
 625 - Bright Chrome
 630 - Satin Stainless Steel
****CIRRUS**

Barcelona (BAR)

| Product | Function | I/S Design | Finish | | | | | | |
|---------|-------------------------------------|--|---------|-----------|---------|---------|----------|---------|---------|
| | | | 605 | 609 | 619 | **620 | 625 | 630 | 716 |
| JH60 | Single Cylinder, Complete Handleset | For JH60 pricing, add JH58 outside design pricing and JH59 inside design pricing | | | | | | | |
| JH58 | Single Cylinder, Outside Handleset | – | \$71.60 | \$72.50 | \$78.30 | \$78.30 | \$78.30 | \$75.20 | \$78.30 |
| JH59 | Single Cylinder, Inside Handleset | Byron (BYR) | 49.20 | 51.50 | – | – | – | 51.60 | – |
| | | Corona (CNA) | 51.50 | 53.70 | 56.00 | 56.00 | 56.00 | 53.70 | 56.00 |
| | | Stratus (STR) | 52.00 | – | 54.10 | – | 54.10 | – | 54.10 |
| | | Dover (DOV) | 58.40 | 60.60(x) | 62.70 | – | 62.70 | 60.60 | – |
| | | LaSalle* (LAS) | 60.10 | 62.40 | 64.60 | 64.60 | 64.60 | 62.40 | 64.60 |
| | | Marin (MAR) | 58.40 | 60.60(x) | 62.70 | 62.70 | 62.70(x) | 60.60 | – |
| | | Seville* (SEV) | 59.30 | – | 63.60 | – | – | – | 63.60 |
| | | Torino (TOR) | 59.30 | 61.50 | 63.60 | 63.60 | 63.60 | 61.50 | 63.60 |
| JH193 | Dummy, Complete Handleset | Byron (BYR) | 103.00 | 105.00 | – | – | – | – | – |
| | | Corona (CNA) | 101.60 | 103.80 | 108.00 | 108.00 | – | – | – |
| | | Stratus (STR) | 103.80 | – | 110.00 | – | 110.00 | – | – |
| | | Dover (DOV) | – | – | 120.00 | – | 120.00 | 119.00 | – |
| | | LaSalle* (LAS) | 117.00 | 119.00 | 124.00 | 124.00 | 124.00 | – | – |
| | | Marin (MAR) | 114.00 | 116.00(x) | 120.00 | 120.00 | – | 116.00 | – |
| | | Torino (TOR) | 115.00 | 117.00 | 121.00 | 121.00 | – | – | – |

*Specify door handing when ordering LaSalle and Seville levers.

Paris (PRS)

| Product | Function | I/S Design | Finish | | | | | | |
|---------|-------------------------------------|--|---------|-----------|---------|---------|----------|---------|---------|
| | | | 605 | 609 | 619 | 620 | 625 | 630 | 716 |
| JH60 | Single Cylinder, Complete Handleset | For JH60 pricing, add JH58 outside design pricing and JH59 inside design pricing | | | | | | | |
| JH58 | Single Cylinder, Outside Handleset | – | \$75.70 | \$80.00 | \$82.20 | \$82.80 | \$82.80 | \$80.00 | \$82.20 |
| JH59 | Single Cylinder, Inside Handleset | Byron (BYR) | 49.20 | 51.50 | – | – | – | 51.60 | – |
| | | Corona (CNA) | 51.50 | 53.70 | 56.00 | 56.00 | 56.00 | 53.70 | 56.00 |
| | | Stratus (STR) | 52.00 | – | 54.10 | – | 54.10 | – | 54.10 |
| | | Dover (DOV) | 58.40 | 60.60(x) | 62.70 | – | 62.70 | 60.60 | – |
| | | LaSalle* (LAS) | 60.10 | 62.40 | 64.60 | 64.60 | 64.60 | 62.40 | 64.60 |
| | | Marin (MAR) | 58.40 | 60.60(x) | 62.70 | 62.70 | 62.70(x) | 60.60 | – |
| | | Seville* (SEV) | 59.30 | – | 63.60 | – | – | – | 63.60 |
| | | Torino (TOR) | 59.30 | 61.50 | 63.60 | 63.60 | 63.60 | 61.50 | 63.60 |
| JH193 | Dummy, Complete Handleset | Byron (BYR) | 108.00 | 110.00 | – | – | – | – | – |
| | | Corona (CNA) | 108.00 | 110.00 | 115.00 | 115.00 | – | – | – |
| | | Stratus (STR) | 110.00 | – | 117.00 | – | 117.00 | – | – |
| | | Dover (DOV) | 119.00 | 121.00(x) | 124.00 | – | 124.00 | – | – |
| | | LaSalle* (LAS) | 123.00 | 125.00 | 128.00 | 128.00 | – | – | – |
| | | Marin (MAR) | 119.00 | 121.00(x) | 124.00 | 124.00 | – | – | – |
| | | Torino (TOR) | 120.00 | 123.00 | 126.00 | 126.00 | – | – | – |

*Specify door handing when ordering LaSalle and Seville levers.

- Notes:**
- 1) Backset: Furnished with adjustable deadbolt and latch for either 2-3/8" or 2-3/4" backsets
 - 2) Door Range: 1-3/8" to 1-3/4"
 - 3) Keying: 5 pin tumbler C keyway keyable to Schlage locks
 - 4) JH58 outside of JH60 includes grip and outside deadbolt trim
 - 5) JH59 inside of JH60 includes inside knob/lever, inside deadbolt trim, deadbolt, latch, screws and strikes.
 - 6) For UL Listed JH59 function Add \$11.50.

(x) **Discontinued** – Available while supplies last

J-Series Levers

Exploded View - J54 LaSalle

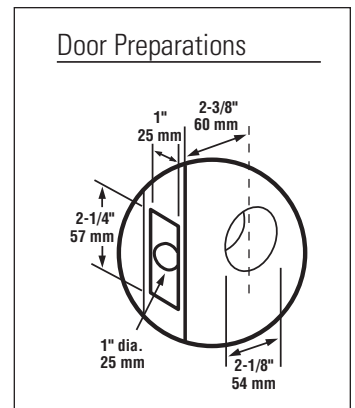
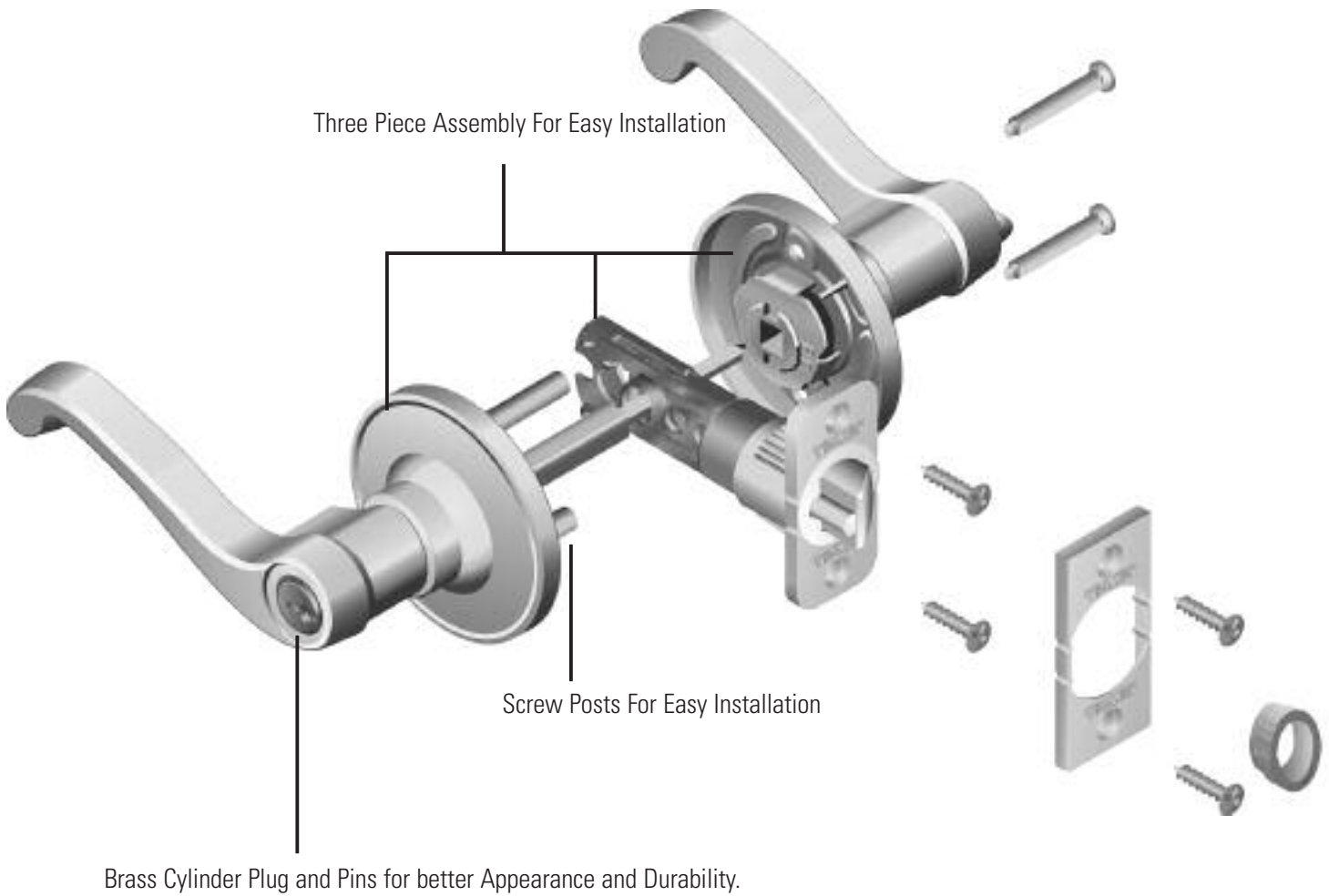
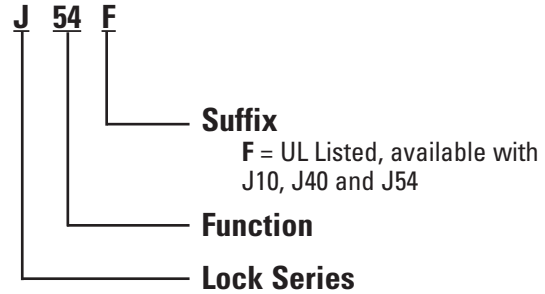


Table of Contents

Freight Weight17
 Functions18
 Complete Locks19-21

Product Identification



Finish Codes and Descriptions*

| Code | Description |
|-------------|-----------------------|
| 605 (US3) | Bright Brass |
| 609 (US5) | Antique Brass |
| 619 (US15) | Satin Nickel |
| 620 (US15A) | Antique Pewter |
| 625 (US26) | Bright Chrome |
| 630 (US32D) | Satin Stainless Steel |
| 716 | Aged Bronze |

*See **Terms and Conditions** for further finish details

Standard Features

| | |
|---------------|--|
| Certification | ANSI A156.2, 1996, Series 4000, Grade 3 |
| Latch | Dual option: 1" x 2-1/4", 1/4" round faceplate and drive-in latch (J10 and J40) Triple option: 1" x 2-1/4", square corner, 1/4" round faceplate, drive-in latch (J54) |
| Strike | 1-5/8" x 2-1/4", Radius corner, full lip, no box |
| Backset | Adjustable for 2-3/8" or 2-3/4" |
| Cylinder | 5-Pin, C keyway, keyed alike (KA4) |
| Door Range | 1-3/8" - 1-3/4" |
| Keys | Two brass cut keys per lock, 5-pin, C section |

BOX PACK - J-Series Lever Freight Weight

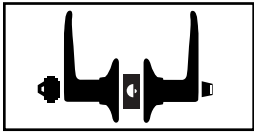
| Lock Series | Function | Style | Case QTY | Average Wt/Case | Cubic Feet | Case Dimensions (inches) | | |
|-------------|----------|---------|----------|-----------------|------------|--------------------------|-------|-------|
| | | | | | | Length | Width | Depth |
| J-Series | J54 | Dover | 24 | 43.12 | 2.24 | 18.11 | 13.39 | 14.17 |
| | J54 | LaSalle | 24 | 43.12 | 2.24 | 18.11 | 13.39 | 14.17 |
| | J54 | Marin | 24 | 43.12 | 2.24 | 18.11 | 13.39 | 14.17 |
| | J54 | Torino | 24 | 43.12 | 2.24 | 18.11 | 13.39 | 14.17 |
| | J40 | Dover | 24 | 32.56 | 2.24 | 22.44 | 18.90 | 6.69 |
| | J40 | LaSalle | 24 | 32.56 | 2.24 | 22.44 | 18.90 | 6.69 |
| | J40 | Marin | 24 | 32.56 | 2.24 | 22.44 | 18.90 | 6.69 |
| | J40 | Torino | 24 | 32.56 | 2.24 | 22.44 | 18.90 | 6.69 |
| | J10 | Dover | 24 | 30.58 | 2.24 | 22.44 | 18.90 | 6.69 |
| | J10 | LaSalle | 24 | 30.58 | 2.24 | 22.44 | 18.90 | 6.69 |
| | J10 | Marin | 24 | 30.58 | 2.24 | 22.44 | 18.90 | 6.69 |
| | J10 | Torino | 24 | 30.58 | 2.24 | 22.44 | 18.90 | 6.69 |
| | J170 | Dover | 50 | 28.16 | 1.46 | 14.41 | 13.31 | 11.65 |
| | J170 | LaSalle | 50 | 28.16 | 1.46 | 14.41 | 13.31 | 11.65 |
| | J170 | Marin | 50 | 28.16 | 1.46 | 14.41 | 13.31 | 11.65 |
| | J170 | Torino | 50 | 28.16 | 1.46 | 14.41 | 13.31 | 11.65 |

ANSI A156.2, 1996, Series 4000, Grade 3

J-Series Levers

Dexter ANSI

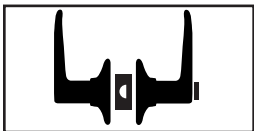
J54 F82



Entrance Lock

Unlocked by key from outside when outer lever is locked by turn-button in inside lever. Inside lever is locked and unlocked by turnbutton.

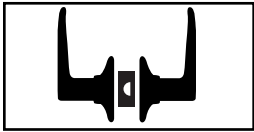
J40 F77



Bath/Bedroom Privacy Lock

Turn-button locking. Can be opened from outside by turning outside turn mechanism. Turning inside turn button releases inside lever.

J10 F75



Passage Latch

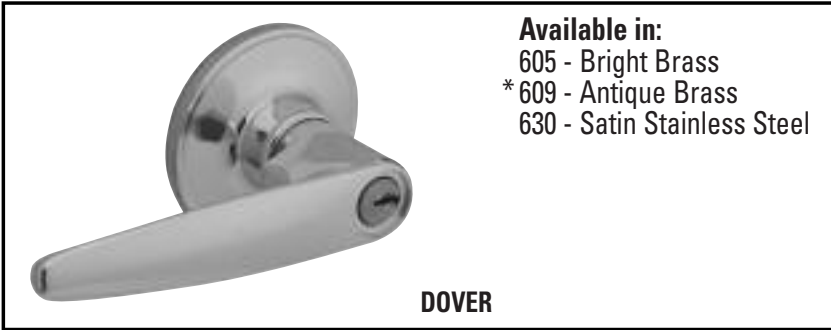
Both levers always unlocked.

J170



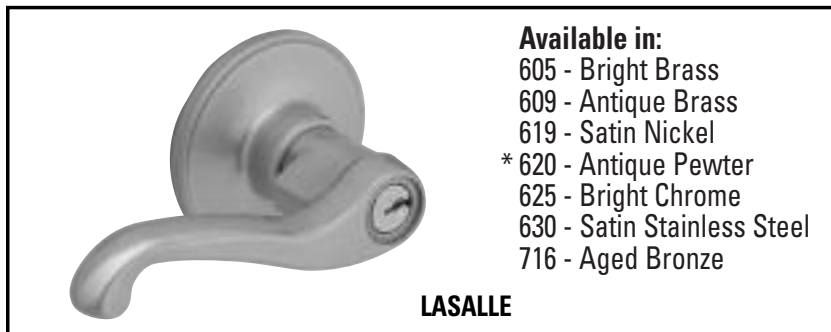
Single Dummy Trim

Dummy trim for one side of door. Used for door pull or as matching inactive trim.



Dover (DOV)

| Product | Function | Finish | | | | | | | | |
|---------|-------------|---------|--------------------|---------|-----|---------|---------|-----|---------|---------|
| | | 605 | 609 ^(x) | 619 | 620 | 625 | 630 | 716 | 609/605 | 605/625 |
| J10 | Passage | \$31.60 | \$33.00 | \$33.80 | – | \$33.80 | \$33.00 | – | \$33.00 | – |
| J40 | Privacy | 33.70 | 34.90 | 35.90 | – | 35.90 | 34.90 | – | – | \$35.90 |
| J54 | Keyed Entry | 45.60 | 46.40 | 46.70 | – | 46.70 | 46.60 | – | 46.60 | – |
| J170 | Dummy | 13.50 | 14.40 | 15.10 | – | 15.10 | 14.40 | – | – | – |

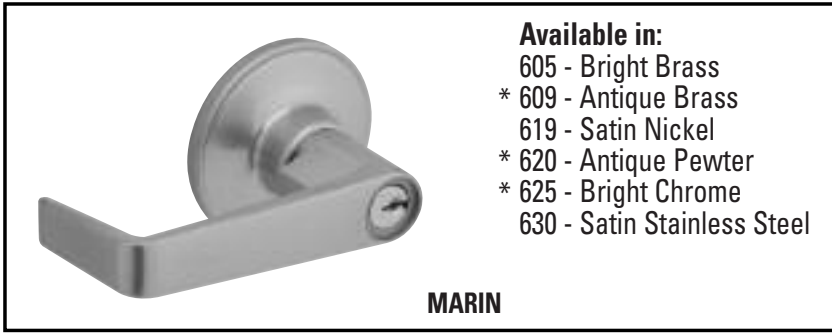


LaSalle (LAS)

| Product | Function | Finish | | | | | | | | |
|---------|-------------|---------|---------|---------|--------------------|---------|---------|---------|---------|---------|
| | | 605 | 609 | 619 | 620 ^(x) | 625 | 630 | 716 | 609/605 | 605/625 |
| J10 | Passage | \$31.90 | \$33.30 | \$34.10 | \$34.10 | \$34.10 | \$33.30 | \$34.10 | – | – |
| J40 | Privacy | 34.00 | 35.30 | 36.20 | 36.20 | 36.20 | 35.30 | 36.20 | – | \$36.20 |
| J54 | Keyed Entry | 46.90 | 48.00 | 49.70 | 49.70 | 49.70 | 48.00 | 49.70 | – | – |
| J170 | Dummy | 13.70 | 14.80 | 15.20 | 15.20 | 15.20 | 14.80 | 15.20 | – | – |

- Notes:**
- 1) Adjustable backset, 2-3/8" or 2-3/4"
 - 2) Radius full lip strike
 - 3) Dual option latch standard - 1" x 2-1/4", 1/4" round faceplate and drive-in (J10, J40) -
 Triple option latch standard - 1" x 2-1/4", square and 1/4" round faceplate and drive-in (J54)
 - 4) Latches staked with radius faceplates
 - 5) Keying: 5 pin tumbler C keyway. Keyable to Schlage Locks
 - 6) For UL Listed J10, J40 and J54 functions add \$5.60

(x) **Discontinued** – Available while supplies last



Marin (MAR)

| Product | Function | Finish | | | | | | | | |
|---------|-------------|---------|---------|---------|---------|---------|---------|-----|---------|---------|
| | | 605 | 609 (x) | 619 | 620 (x) | 625 (x) | 630 | 716 | 609/605 | 605/625 |
| J10 | Passage | \$31.60 | \$33.00 | \$33.80 | \$33.80 | \$33.80 | \$33.00 | – | – | – |
| J40 | Privacy | 33.70 | 34.90 | 35.90 | 35.90 | 35.90 | 34.90 | – | – | – |
| J54 | Keyed Entry | 44.60 | 45.60 | 46.70 | 46.70 | 46.70 | 45.60 | – | – | – |
| J170 | Dummy | 13.50 | 14.70 | 15.10 | 15.10 | 15.10 | 14.70 | – | – | – |

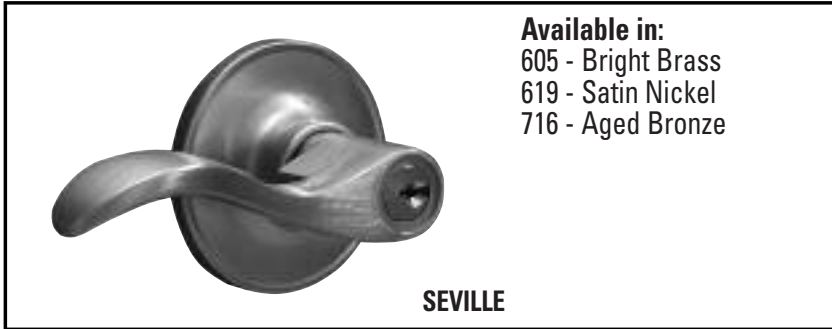


Torino (TOR)

| Product | Function | Finish | | | | | | | | |
|---------|-------------|---------|---------|---------|---------|---------|---------|---------|---------|---------|
| | | 605 | 609 | 619 | 620 | 625 | 630 | 716 | 609/605 | 605/625 |
| J10 | Passage | \$32.00 | \$33.20 | \$34.10 | \$34.10 | \$34.10 | \$33.20 | \$34.10 | \$33.20 | – |
| J40 | Privacy | 34.00 | 35.20 | 36.20 | 36.20 | 36.20 | 35.20 | 36.20 | – | \$36.20 |
| J54 | Keyed Entry | 46.20 | 47.30 | 49.00 | 49.00 | 49.00 | 47.30 | 49.00 | 47.30 | – |
| J170 | Dummy | 13.70 | 14.90 | 15.30 | 15.30 | 15.30 | 14.90 | 15.30 | – | – |

- Notes:**
- 1) Adjustable backset, 2-3/8" or 2-3/4"
 - 2) Radius full lip strike
 - 3) Dual option latch standard – 1" x 2-1/4", 1/4" round faceplate and drive-in (J10, J40) -
 Triple option latch standard - 1" x 2-1/4", square and 1/4" round faceplates and drive-in (J54)
 - 4) Latches staked with radius faceplates
 - 5) Keying: 5 pin tumbler C keyway. Keyable to Schlage Locks
 - 6) For UL Listed J10, J40 and J54 functions add \$5.60

(x) *Discontinued – Available while supplies last*



Seville (SEV)

| Product | Function | Finish | | | | | | | | |
|---------|-------------|---------|-----|---------|-----|-----|-----|---------|---------|---------|
| | | 605 | 609 | 619 | 620 | 625 | 630 | 716 | 609/605 | 605/625 |
| J10 | Passage | \$32.00 | — | \$34.10 | — | — | — | \$34.10 | — | — |
| J40 | Privacy | 34.00 | — | 36.20 | — | — | — | 36.20 | — | — |
| J54 | Keyed Entry | 46.20 | — | 49.00 | — | — | — | 49.00 | — | — |
| J170* | Dummy | 13.70 | — | 15.30 | — | — | — | 15.30 | — | — |

- Notes:**
- 1) Adjustable backset, 2-3/8" or 2-3/4"
 - 2) Radius full lip strike
 - 3) Dual option latch standard - 1" x 2-1/4". 1/4" round faceplate and drive-in (J10, J40) -
Triple option latch standard - 1" x 2-1/4", square and 1/4" round faceplates and drive-in (J54)
 - 4) Latches staked with radius faceplates
 - 5) Keying: 5 pin tumbler C keyway. Keyable to Schlage Locks
 - 6) For UL Listed J10, J40 and J54 functions add \$5.60

*Specify door handing when ordering Seville J170.

J-Series Knobs

Exploded View - J54 Byron

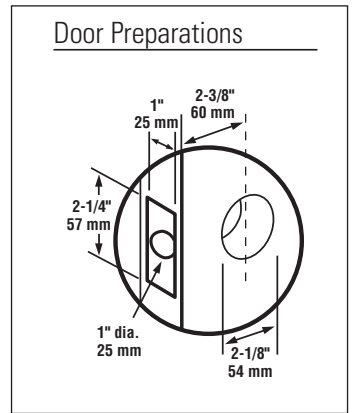
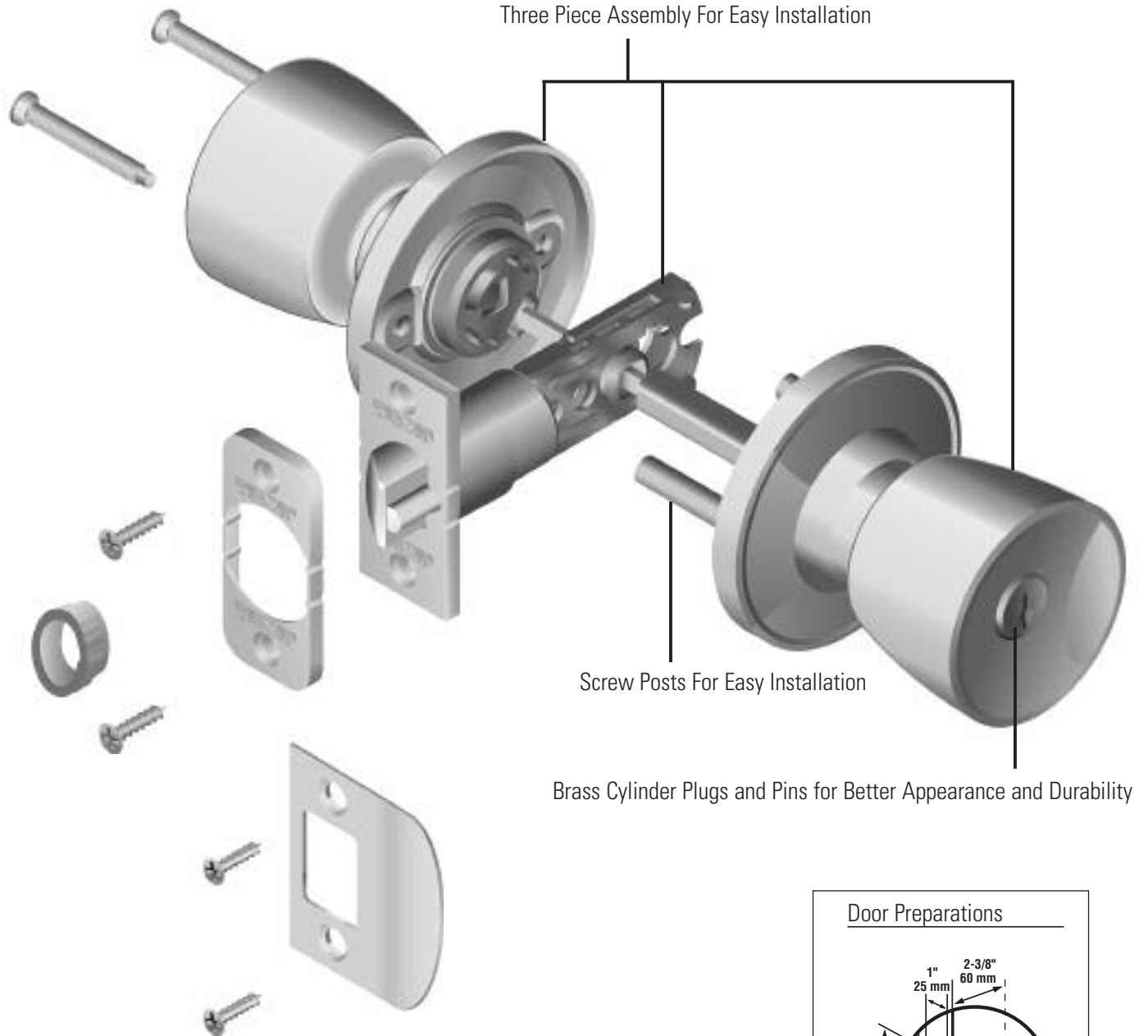
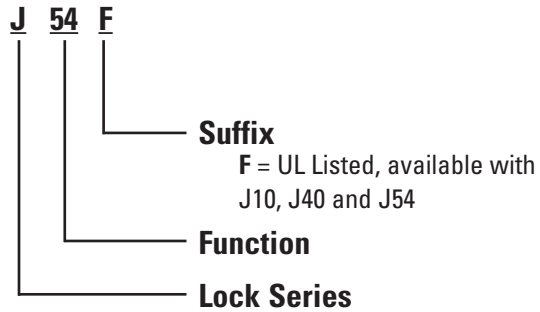


Table of Contents

Freight Weight23
 Functions24
 Complete Locks25

Product Identification



Finish Codes and Descriptions*

| Code | Description |
|-------------|-----------------------|
| 605 (US3) | Bright Brass |
| 609 (US5) | Antique Brass |
| 619 (US15) | Satin Nickel |
| 620 (US15A) | Antique Pewter |
| 625 (US26) | Bright Chrome |
| 630 (US32D) | Satin Stainless Steel |
| 716 | Aged Bronze |

*See *Terms and Conditions* for further finish details

Standard Features

| | |
|---------------|---|
| Certification | ANSI A156.2, 1996, Series 4000, Grade 3 |
| Latch | Dual option: 1" x 2-1/4", 1/4" round faceplate and drive-in latch (J10 and J40) Triple option: 1" x 2-1/4", square corner and 1/4" round faceplate, and drive-in latch (J54) |
| Strike | 1-5/8" x 2-1/4", Radius corner, full lip, no box |
| Backset | Adjustable for 2-3/8" or 2-3/4" |
| Cylinder | 5-Pin, C keyway, keyed alike (KA4) |
| Door Range | 1-3/8" - 1-3/4" |
| Keys | Two brass cut keys per lock, 5-pin, C section |

BOX PACK - J-Series Knob Freight Weight

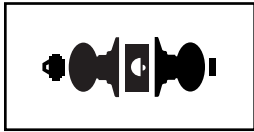
| Lock Series | Function | Style | Case QTY | Average Wt/Case | Cubic Feet | Case Dimensions (inches) | | |
|-------------|----------|---------|----------|-----------------|------------|--------------------------|-------|-------|
| | | | | | | Length | Width | Depth |
| J-Series | J54 | Byron | 24 | 31.46 | 1.23 | 12.20 | 10.63 | 14.57 |
| | J54 | Corona | 24 | 31.46 | 1.23 | 12.20 | 10.63 | 14.57 |
| | J54 | Stratus | 24 | 29.04 | 1.23 | 12.20 | 10.63 | 14.57 |
| | J40 | Byron | 24 | 31.02 | 1.23 | 12.20 | 10.63 | 14.57 |
| | J40 | Corona | 24 | 31.02 | 1.23 | 12.20 | 10.63 | 14.57 |
| | J40 | Stratus | 24 | 25.96 | 1.23 | 12.20 | 10.63 | 14.57 |
| | J10 | Byron | 24 | 25.52 | 1.23 | 12.20 | 10.63 | 14.57 |
| | J10 | Corona | 24 | 25.52 | 1.23 | 12.20 | 10.63 | 14.57 |
| | J10 | Stratus | 24 | 23.98 | 1.23 | 12.20 | 10.63 | 14.57 |
| | J170 | Byron | 50 | 17.82 | 0.98 | 14.37 | 14.17 | 7.09 |
| | J170 | Corona | 50 | 17.82 | 0.98 | 14.37 | 14.17 | 7.09 |
| | J170 | Stratus | 50 | 15.40 | 0.98 | 14.37 | 14.17 | 7.09 |

ANSI A156.2, 1996, Series 4000, Grade 3

J-Series Knobs

Dexter ANSI

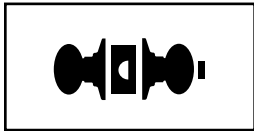
J54 F82



Entrance Lock

Unlocked by key from outside when outer knob is locked by turn-button in inside knob. Inside knob/lever is locked and unlocked by turnbutton.

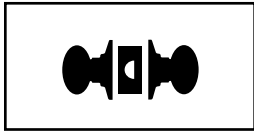
J40 F77



Bath/Bedroom Privacy Lock

Turn-button locking. Can be opened from outside by turning outside turn mechanism. Turning inside turn button releases inside knob.

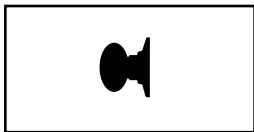
J10 F75



Passage Latch

Both knobs always unlocked.

J170



Single Dummy Trim

Dummy trim for one side of door. Used for door pull or as matching inactive trim.



BYRON

Available in:
 605 - Bright Brass
 609 - Antique Brass
 630 - Satin Stainless Steel

Byron (BYR)

| Product | Function | Finish | | | | | | | | | |
|---------|-------------|---------|---------|-----|-----|-----|---------|-----|---------|---------|---------|
| | | 605 | 609 | 619 | 620 | 625 | 630 | 716 | 609/605 | 605/625 | 609/625 |
| J10 | Passage | \$15.30 | \$17.20 | - | - | - | \$17.20 | - | - | - | - |
| J40 | Privacy | 17.00 | 18.70 | - | - | - | 18.70 | - | - | \$19.10 | - |
| J54 | Keyed Entry | 22.90 | 24.60 | - | - | - | 24.60 | - | - | - | - |
| J170 | Dummy | 6.30 | 7.40 | - | - | - | 7.40 | - | - | - | - |



CORONA

Available in:
 605 - Bright Brass
 609 - Antique Brass
 619 - Satin Nickel
 620 - Antique Pewter
 625 - Bright Chrome
 630 - Satin Stainless Steel
 716 - Aged Bronze

Corona (CNA)

| Product | Function | Finish | | | | | | | | | |
|---------|-------------|---------|---------|---------|---------|---------|---------|---------|---------|---------|---------|
| | | 605 | 609 | 619 | 620 | 625 | 630 | 716 | 609/605 | 605/625 | 609/625 |
| J10 | Passage | \$18.00 | \$18.90 | \$20.50 | \$20.50 | \$20.50 | \$18.90 | \$20.50 | - | - | - |
| J40 | Privacy | 19.70 | 21.00 | 22.30 | 22.30 | 22.30 | 21.00 | 22.30 | - | \$22.30 | \$22.30 |
| J54 | Keyed Entry | 25.40 | 27.30 | 27.60 | 27.60 | 27.60 | 27.30 | 27.60 | \$27.30 | - | - |
| J170 | Dummy | 7.20 | 7.50 | 8.00 | 8.00 | 8.00 | 7.50 | 8.00 | - | - | - |



STRATUS

Available in:
 605 - Bright Brass
 619 - Satin Nickel
 716 - Aged Bronze

Stratus (STR)

| Product | Function | Finish | | | | | | | | | |
|---------|-------------|---------|-----|---------|-----|---------|-----|---------|---------|---------|---------|
| | | 605 | 609 | 619 | 620 | 625 | 630 | 716 | 609/605 | 605/625 | 609/625 |
| J10 | Passage | \$18.20 | - | \$19.70 | - | \$19.70 | - | \$19.70 | - | - | - |
| J40 | Privacy | 20.10 | - | 21.40 | - | 21.40 | - | 21.40 | - | \$21.40 | - |
| J54 | Keyed Entry | 29.20 | - | 31.30 | - | 31.30 | - | 31.30 | - | - | - |
| J170 | Dummy | 7.60 | - | 8.00 | - | 8.00 | - | 8.00 | - | - | - |

- Notes:**
- 1) Adjustable backset, 2-3/8" or 2-3/4"
 - 2) Radius full lip strike
 - 3) Dual option latch standard - 1 x 2-1/4", 1/4" round faceplate and drive-in (J10, J40)
 Triple option latch standard - 1" x 2-1/4", square and 1/4" round faceplates and drive-in (J54)
 - 4) Latches staked with radius faceplates
 - 5) Keying: 5 pin tumbler C keyway. Keyable to Schlage Locks
 - 6) For UL Listed J10, J40 and J54 functions add \$5.60

J-SERIES PARTS



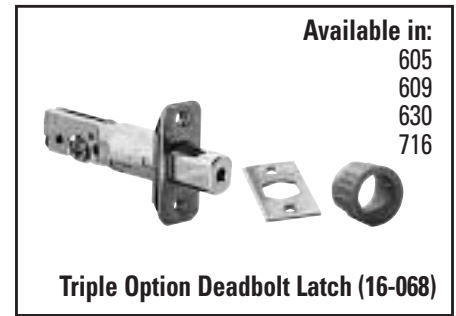
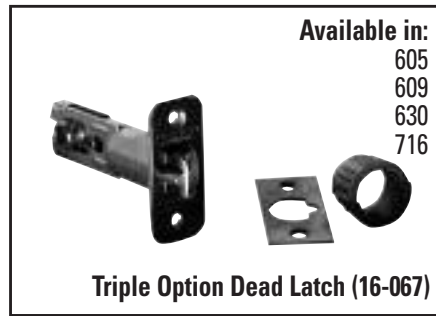
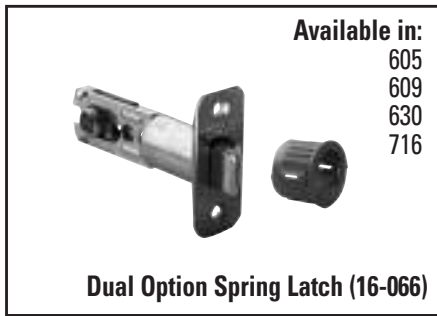
Dual Option Latch (16-066)



Triple Option Latch (16-068)



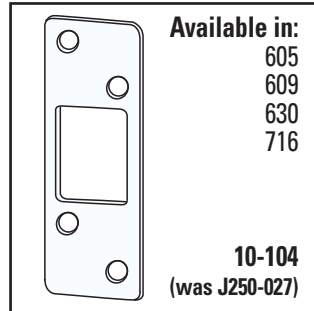
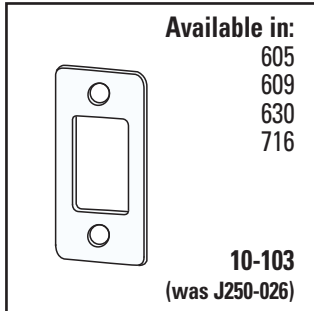
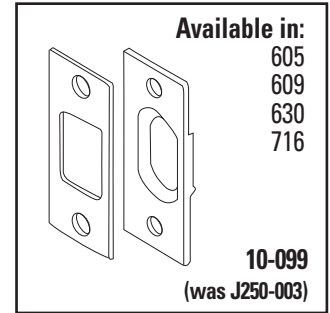
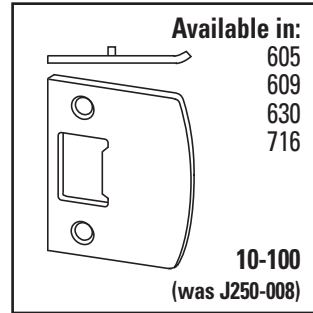
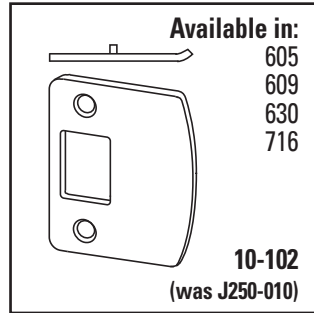
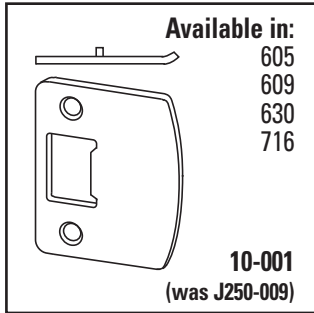
Master Rekeying Kit (J250-006)



LATCHES

| Part No. | Description | List |
|----------|---|---------|
| 16-066 | Dual Option Adjustable Spring Latch for Knob/Lever Including 2 Screws (605) | \$6.50 |
| 16-066 | Dual Option Adjustable Spring Latch for Knob/Lever Including 2 Screws (609) | \$6.50 |
| 16-066 | Dual Option Adjustable Spring Latch for Knob/Lever Including 2 Screws (630) | \$6.50 |
| 16-066 | Dual Option Adjustable Spring Latch for Knob/Lever Including 2 Screws (716) | \$6.50 |
| 16-067 | Triple Option Adjustable Dead Latch for Knob/Lever Including 2 Screws (605) | \$8.90 |
| 16-067 | Triple Option Adjustable Dead Latch for Knob/Lever Including 2 Screws (609) | \$8.90 |
| 16-067 | Triple Option Adjustable Dead Latch for Knob/Lever Including 2 Screws (630) | \$8.90 |
| 16-067 | Triple Option Adjustable Dead Latch for Knob/Lever Including 2 Screws (716) | \$8.90 |
| 16-068 | Triple Option Adjustable Deadbolt Latch for DS Including 2 Screws (605) | \$9.20 |
| 16-068 | Triple Option Adjustable Deadbolt Latch for DS Including 2 Screws (609) | \$9.20 |
| 16-068 | Triple Option Adjustable Deadbolt Latch for DS Including 2 Screws (630) | \$9.20 |
| 16-068 | Triple Option Adjustable Deadbolt Latch for DS Including 2 Screws (716) | \$9.20 |
| 16-059 | UL Listed Spring Latch - No Screws Included (605) | \$11.10 |
| 16-059 | UL Listed Spring Latch - No Screws Included (609) | \$11.10 |
| 16-059 | UL Listed Spring Latch - No Screws Included (630) | \$11.10 |
| 16-059 | UL Listed Spring Latch - No Screws Included (716) | \$11.10 |
| 16-061 | UL Listed Dead Latch - No Screws Included (605) | \$13.60 |
| 16-061 | UL Listed Dead Latch - No Screws Included (609) | \$13.60 |
| 16-061 | UL Listed Dead Latch - No Screws Included (630) | \$13.60 |
| 16-061 | UL Listed Dead Latch - No Screws Included (716) | \$13.60 |
| 16-063 | UL Listed Deadbolt Latch - No Screws Included (605) | \$14.00 |
| 16-063 | UL Listed Deadbolt Latch - No Screws Included (609) | \$14.00 |
| 16-063 | UL Listed Deadbolt Latch - No Screws Included (630) | \$14.00 |
| 16-063 | UL Listed Deadbolt Latch - No Screws Included (716) | \$14.00 |

Note: 1) 630 latches are used for all 619, 620, 625 and 630 finishes.



STRIKES

| New Part No. | Old Part No. | Description | Qty per polybag or case | List |
|--------------|--------------|---|-------------------------|--------|
| 10-101 | J250-009 | Radius Full Lip Strike - 605 Finish - Knobs and Levers Including 2 Screws | 400 pcs/per carton | \$2.00 |
| 10-101 | J250-009 | Radius Full Lip Strike - 609 Finish - Knobs and Levers including 2 Screws | 400 pcs/per carton | \$2.00 |
| 10-101 | J250-009 | Radius Full Lip Strike - 630 Finishes - Knobs and Levers including 2 Screws | 400 pcs/per carton | \$2.00 |
| 10-101 | J250-009 | Radius Full Lip Strike - 716 Finishes - Knobs and Levers including 2 Screws | 400 pcs/per carton | \$2.00 |
| 10-102 | J250-010 | Radius Full Lip Strike - 605 Finish - Deadbolts Including 2 Screws | 400 pcs/per carton | \$2.00 |
| 10-102 | J250-010 | Radius Full Lip Strike - 609 Finish - Deadbolts Including 2 Screws | 400 pcs/per carton | \$2.00 |
| 10-102 | J250-010 | Radius Full Lip Strike - 630 Finishes - Deadbolts Including 2 Screws | 400 pcs/per carton | \$2.00 |
| 10-102 | J250-010 | Radius Full Lip Strike - 716 Finishes - Deadbolts Including 2 Screws | 400 pcs/per carton | \$2.00 |
| 10-100 | J250-008 | Square Full Lip Strike - 605 Finish - Knobs and Levers Including 2 Screws | 400 pcs/per carton | \$2.00 |
| 10-100 | J250-008 | Square Full Lip Strike - 609 Finish - Knobs and Levers including 2 Screws | 400 pcs/per carton | \$2.00 |
| 10-100 | J250-008 | Square Full Lip Strike - 630 Finishes - Knobs and Levers including 2 Screws | 400 pcs/per carton | \$2.00 |
| 10-099 | J250-003 | Square Strike Plate & Strike Frame Reinforcer - 1-1/8" x 2-3/4" Square Corner 605 Finish - Deadbolts Including 2 Screws + 2 x 3" Screws | 400 packs/per carton | \$2.40 |
| 10-099 | J250-003 | Square Strike Plate & Strike Frame Reinforcer - 1-1/8" x 2-3/4" Square Corner 609 Finish - Deadbolts Including 2 Screws + 2 x 3" Screws | 400 packs/per carton | \$2.40 |
| 10-099 | J250-003 | Square Strike Plate & Strike Frame Reinforcer - 1-1/8" x 2-3/4" Square Corner 630 Finishes - Deadbolts Including 2 Screws + 2 x 3" Screws | 400 packs/per carton | \$2.40 |
| 10-099 | J250-003 | Square Strike Plate & Strike Frame Reinforcer - 1-1/8" x 2-3/4" Square Corner 716 Finish - Deadbolts Including 2 Screws + 2 x 3" Screws | 400 packs/per carton | \$2.40 |
| 10-103 | J250-026 | Radius Deadbolt Strike 1" x 2 1/4" Round Corner - 605 Finish | 400 pcs/per carton | \$2.00 |
| 10-103 | J250-026 | Radius Deadbolt Strike 1" x 2 1/4" Round Corner - 609 Finish | 400 pcs/per carton | \$2.00 |
| 10-103 | J250-026 | Radius Deadbolt Strike 1" x 2 1/4" Round Corner - 630 Finish | 400 pcs/per carton | \$2.00 |
| 10-103 | J250-026 | Radius Deadbolt Strike 1" x 2 1/4" Round Corner - 716 Finish | 400 pcs/per carton | \$2.00 |
| 10-104 | J250-027 | Radius Deadbolt Strike 1 1/4" x 3 5/8" Round Corner - 605 Finish | 400 pcs/per carton | \$2.40 |
| 10-104 | J250-027 | 4-Hole Deadbolt Strike 1 1/4" x 3 5/8" Round Corner - 609 Finish | 400 pcs/per carton | \$2.40 |
| 10-104 | J250-027 | 4-Hole Deadbolt Strike 1 1/4" x 3 5/8" Round Corner - 630 Finish | 400 pcs/per carton | \$2.40 |
| 10-104 | J250-027 | 4-Hole Deadbolt Strike 1 1/4" x 3 5/8" Round Corner - 716 Finish | 400 pcs/per carton | \$2.40 |

Notes: 1) 630 strikes are used for all 619, 620, 625 and 630 finishes
2) Strikes can be ordered individually

SCREW PACKS

| UPC | Part No. | Description | List |
|--------------|----------|---|--------|
| 043156741229 | J250-005 | Screw Packs Knobs & Levers (6 pieces) (605) | \$2.30 |
| 043156743391 | J250-011 | Screw Packs Deadbolts (8 pieces) (605) | \$3.10 |
| 043156743421 | J250-012 | Screw Packs Handlesets (16 pieces) (605) | \$6.30 |
| 043156743278 | J250-005 | Screw Packs Knobs & Levers (6 pieces) (609) | \$2.30 |
| 043156943407 | J250-011 | Screw Packs Deadbolts (8 pieces) (609) | \$3.10 |
| 043156743438 | J250-012 | Screw Packs Handlesets (16 pieces) (609) | \$6.30 |
| 043156746286 | J250-005 | Screw Packs Knobs & Levers (6 pieces) (619, 620, 625, 630) | \$2.30 |
| 043156743414 | J250-011 | Screw Packs Deadbolts (8 pieces) (630) (619, 620, 625, 630) | \$3.10 |
| 043156743445 | J250-012 | Screw Packs Handlesets (16 pieces) (630) (619, 620, 625, 630) | \$6.30 |
| 043156872039 | J250-028 | Screw Pack - 2" OAL Deadbolt Strike (4 pieces) (605) | \$1.50 |
| 043156872046 | J250-028 | Screw Pack - 2" OAL Deadbolt Strike (4 pieces) (609) | \$1.50 |
| 043156872053 | J250-028 | Screw Pack - 2" OAL Deadbolt Strike (4 pieces) (630) | \$1.50 |

Notes: 1) 630 screws are used for all 619, 620, 625 and 630 finishes

REKEYING PINNING PARTS AND ACCESSORIES

| UPC | Part No. | Description | Order in QTY's of | List Each |
|--------------|----------|---|----------------------|-----------|
| 043156741304 | J750-002 | #1 Top Pin | 200 pcs/per poly bag | \$0.06 |
| 043156741328 | J750-003 | #2 Top Pin | 200 pcs/per poly bag | \$0.06 |
| 043156741342 | J750-004 | #3 Top Pin | 200 pcs/per poly bag | \$0.06 |
| 043156741366 | J750-005 | #0 Bottom Pin | 200 pcs/per poly bag | \$0.06 |
| 043156741397 | J750-006 | #1 Bottom Pin | 200 pcs/per poly bag | \$0.06 |
| 043156741410 | J750-007 | #2 Bottom Pin | 200 pcs/per poly bag | \$0.06 |
| 043156741434 | J750-008 | #3 Bottom Pin | 200 pcs/per poly bag | \$0.06 |
| 043156741458 | J750-009 | #4 Bottom Pin | 200 pcs/per poly bag | \$0.06 |
| 043156741472 | J750-010 | #5 Bottom Pin | 200 pcs/per poly bag | \$0.06 |
| 043156741496 | J750-011 | #6 Bottom Pin | 200 pcs/per poly bag | \$0.06 |
| 043156741526 | J750-012 | #7 Bottom Pin | 200 pcs/per poly bag | \$0.06 |
| 043156741540 | J750-013 | #8 Bottom Pin | 200 pcs/per poly bag | \$0.06 |
| 043156741557 | J750-014 | #9 Bottom Pin | 200 pcs/per poly bag | \$0.06 |
| 043156741588 | J750-015 | #2 Master Pin | 200 pcs/per poly bag | \$0.06 |
| 043156741601 | J750-016 | #3 Master Pin | 200 pcs/per poly bag | \$0.06 |
| 043156741625 | J750-017 | #4 Master Pin | 200 pcs/per poly bag | \$0.06 |
| 043156741632 | J750-018 | #5 Master Pin | 200 pcs/per poly bag | \$0.06 |
| 043156741298 | J750-019 | #6 Master Pin | 200 pcs/per poly bag | \$0.06 |
| 043156741311 | J750-020 | #7 Master Pin | 200 pcs/per poly bag | \$0.06 |
| 043156741335 | J750-021 | #8 Master Pin | 200 pcs/per poly bag | \$0.06 |
| 043156741359 | J750-022 | #9 Master Pin | 200 pcs/per poly bag | \$0.06 |
| 043156741373 | J750-023 | Pin Tumbler Key Gauge | | \$3.80 |
| 043156741380 | J750-024 | Plug Clip | 50 pcs/per poly bag | \$0.06 |
| 043156741403 | J750-025 | Pin Spring | 100 pcs/per poly bag | \$0.12 |
| 043156741427 | J750-026 | Cylinder Cap | 50 pcs/per poly bag | \$0.12 |
| 043156741441 | J750-027 | Deadbolt Spring | 100 pcs/per poly bag | \$0.12 |
| 043156741465 | J750-028 | Deadbolt Cap Pin | 100 pcs/per poly bag | \$0.06 |
| 043156741489 | J750-029 | Follower Tool | | \$4.20 |
| 043156741502 | J750-030 | Cylinder Removing Tool | | \$3.40 |
| 043156741281 | J750-001 | RCK Lost Balls (200 per pack) | 200 pcs/per poly bag | \$0.04 |
| 043156872060 | J750-029 | Spanner Wrench for removing cylinder face | | \$1.10 |



Rekeying Kit

REKEYING PINNING PARTS AND ACCESSORIES

| UPC | Part No. | Description | List |
|--------------|----------|-------------------|----------|
| 043156741236 | J250-006 | Master Keying Kit | \$167.00 |
| 043156741243 | J250-007 | Retail Key Kit | \$135.00 |

COMPLETE CYLINDERS

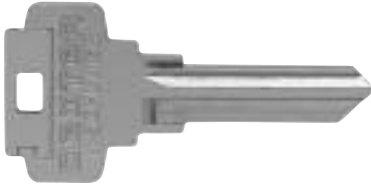
| UPC | Part No. | Description | List |
|------------------|----------|--|---------|
| CYLINDERS | | | |
| 043156741182 | J250-001 | 5 pin Complete Cylinder & Cut key assembly with 4 lost ball holes - J54 Knobs (605) | \$16.10 |
| 043156741199 | J250-002 | 5 pin Complete Cylinder & Cut key assembly with 4 lost ball holes - J54 Levers (605) | \$16.10 |
| 043156730308 | J250-000 | 5 pin Complete Cylinder & Cut key assembly with 4 lost ball holes - JD60 Deadbolt (Single 605) | \$17.80 |
| 043156743209 | J250-000 | 5 pin Complete Cylinder & Cut key assembly with 4 lost ball holes - JD60 Deadbolt (Single 609) | \$34.50 |
| 043156743193 | J250-001 | 5 pin Complete Cylinder & Cut key assembly with 4 lost ball holes - J54 Knobs (630) | \$17.80 |
| 043156743223 | J250-002 | 5 pin Complete Cylinder & Cut key assembly with 4 lost ball holes - J54 Levers (630) | \$34.50 |
| 043156730308 | J250-000 | 5 pin Complete Cylinder & Cut key assembly with 4 lost ball holes - JD60 Deadbolt (Single 630) | \$16.10 |

CYLINDER PARTS

| UPC | Part No. | Description | List |
|-----------------------|----------|---|--------|
| CYLINDER PARTS | | | |
| 043156741519 | J750-056 | Cylinder Shell (Deadbolts DS Single/Double Outside) (Pre-loaded with Top Pins) - 605 | \$7.80 |
| 043156743537 | J750-058 | Cylinder Shell (Deadbolts DS Double Inside) (Pre-loaded with Top Pins) - 605 | \$7.80 |
| 043156743452 | J750-056 | Cylinder Shell (Deadbolts DS Single/Double Outside) (Pre-loaded with Top Pins) (Pre-loaded with Top Pins) - 609 | \$7.80 |
| 043156743544 | J750-058 | Cylinder Shell (Deadbolts DS Double Inside) (Pre-loaded with Top Pins) - 609 | \$7.80 |
| 043156743469 | J750-056 | Cylinder Shell (Deadbolts DS Single/Double Outside) (Pre-loaded with Top Pins) - 619 | \$7.80 |
| 043156743551 | J750-058 | Cylinder Shell (Deadbolts DS Double Inside) (Pre-loaded with Top Pins) - 630 | \$7.80 |
| 043156741533 | J750-052 | 5-Pin Broached Cylinder Plugs (Deadbolts DS) - 605 | \$9.90 |
| 043156743483 | J750-052 | 5-Pin Broached Cylinder Plugs (Deadbolts DS) - 630 | \$9.90 |
| 043156741564 | J750-033 | Cylinder Shell (Keyed Knob) | \$7.80 |
| 043156741571 | J750-034 | 5-Pin Broached Cylinder Plugs (Keyed Knob) - 605 | \$8.30 |
| 043156743506 | J750-034 | 5-Pin Broached Cylinder Plugs (Keyed Knob) - 630 | \$8.30 |
| 043156741595 | J750-035 | Cylinder Shell (Keyed Lever) | \$8.30 |
| 043156741618 | J750-036 | 5-Pin Broached Cylinder Plugs (Keyed Lever) - 605 | \$8.30 |
| 043156743520 | J750-036 | 5-Pin Broached Cylinder Plugs (Keyed Lever) - 630 | \$8.30 |
| 043156755394 | J750-054 | Single Cylinder Deadbolt Tailpiece | \$2.30 |

* Ordering part includes interior and exterior tailpiece

Note: 1) 630 cylinder plugs are used for 619, 620, 625 and 630 finishes
 2) 605 cylinder plugs are used for 605, 609 and 716 finishes



SPECIAL KEYING

KEYS ORDERED WITH LOCKS OR CYLINDERS

| Part No. | Description | List |
|----------|--------------------------------------|--------|
| J250-016 | Lock Keyed to a Specific Combination | \$5.10 |

RESIDENTIAL MASTER KEYING (RMK)

| Part No. | Description | List |
|----------|-----------------------------------|--------|
| J250-018 | Cylinder Residential Master Keyed | \$1.40 |
| J250-019 | Residential Master Key | \$6.70 |

RESIDENTIAL CONSTRUCTION KEYING (RCK)

| Part No. | Description | List |
|----------|---|--------|
| J250-017 | Cylinder Residential Construction Keyed | \$1.60 |
| J250-020 | Residential Construction Key | \$3.70 |

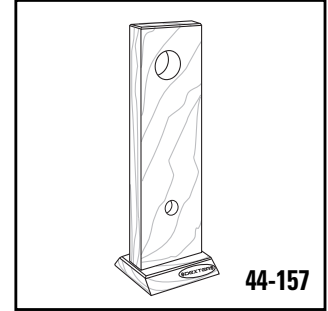
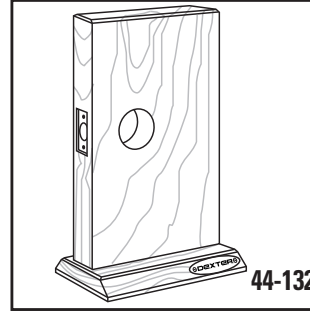
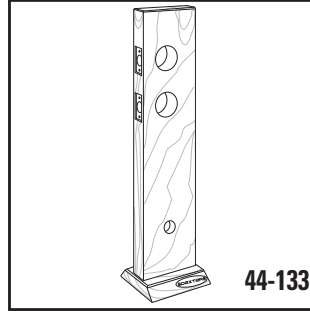
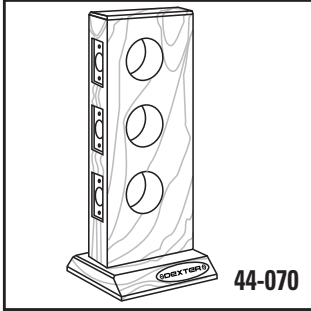
KEY BLANKS

| Part No. | Description | List |
|----------|---|--------|
| J750-000 | 5-Pin Standard Bow, Embossed Both Sides, No Stamping, C-Section Only (order in quantities of 100) | \$0.80 |

MASTER KEYS

| Part No. | Description | List |
|----------|--|--------|
| J750-040 | 5-Pin Standard Bow, Embossed Both Sides, No Stamping, C-Section Only | \$6.70 |

MOUNTS



MOUNTS

| Part No. | Description | List |
|----------|---|---------|
| 44-070 | Dexter 3 Hole Mount (2-1/8" Cross Bore, 1" Edge Bore) | \$63.40 |
| 44-132 | Dexter 1 Hole Mount (2-1/8" Cross Bore, 1" Edge Bore) | \$46.90 |
| 44-133 | Dexter Handleset Mount (2-1/8" Cross Bore, 1" Edge Bore) | \$71.40 |
| 44-157 | Dexter Handleset Decorative Trim - Cirrus - Mount (2-1/8" Cross Bore, 1" Edge Bore) | \$71.40 |

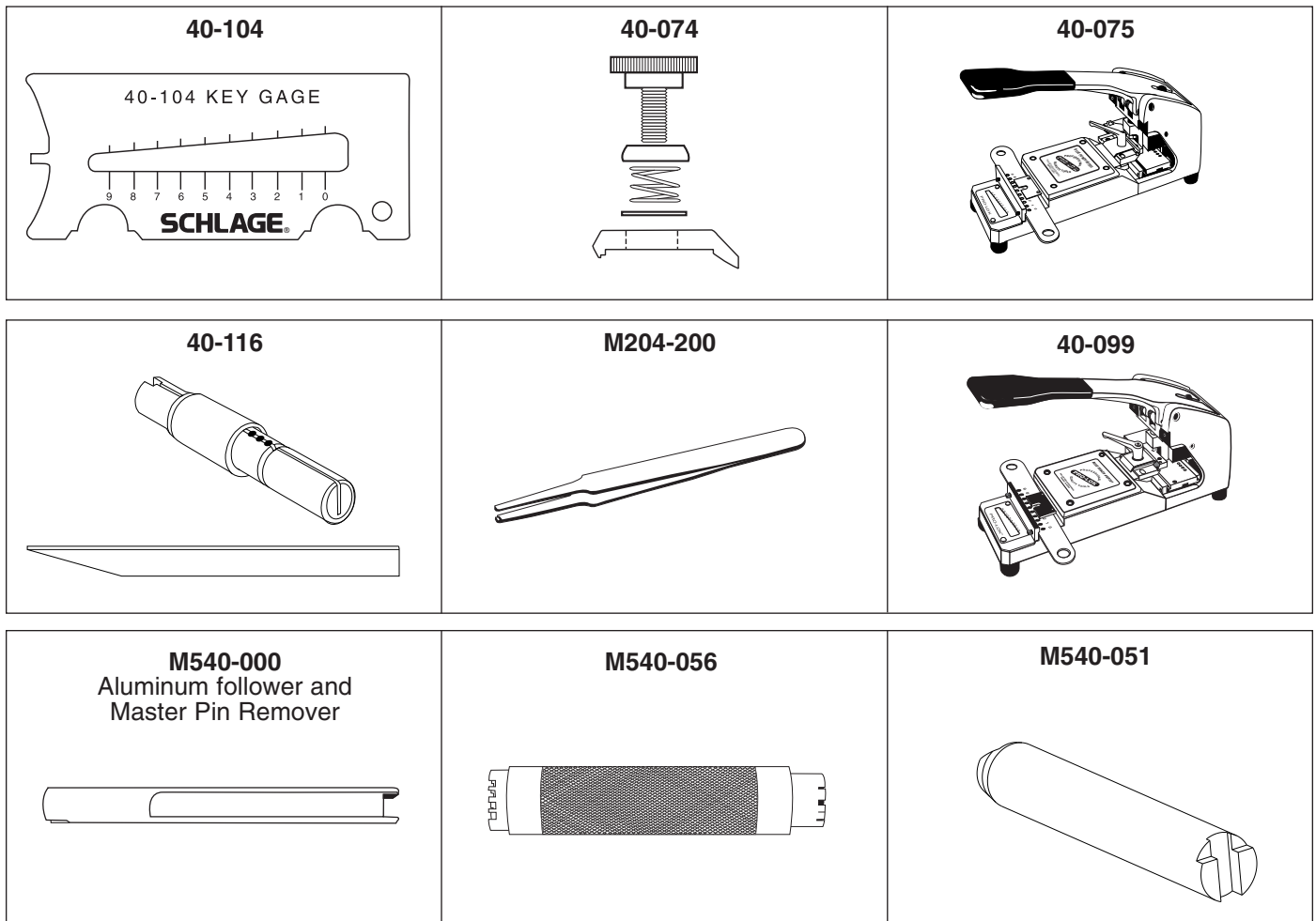
Table of Contents

| | |
|--|-----------------------------|
| Stock Products | Stock Products Tab |
| Keying Tools & Kits | Tool-2 |
| Full Size Pin Kits | Tool-2 |
| Full Size Keying Tools | Tool-3 |
| Small Format Interchangeable Core Pin Kits | Tool-4 |
| Small Format Interchangeable Core Service Equipment | Tool-4 |
| Competitive Keying Kits | Tool-5 |
| Competitive Keying Tools | Tool-5 |
| Tools | Tool-6 |
| Installation Templates | Tool-6 |
| Installation Tools | Tool-7 |
| Torx® Tools | Tool-7 |
| Kits | Tool-8 |
| Portable Security Repair Kit | Tool-8 |
| Home Secure RCK Accessories | Tool-8 |
| Maintenance Kits (Replacement Parts Assortments) | Tool-8 |
| Installation JIG | Tool-9 |
| Mortise JIG (wood) | Tool-10 |
| How To Order | Forms & Examples |



| Full Size Pin Kits | | | | | |
|--------------------|---|--|--|---|-----------------|
| Part Number | Description | Contents | | | Price Each |
| 40-070 | Primus® pin kit | Sidebars Finger pin springs | Finger pins Plug holder | Sidebar springs | \$336.00 |
| 40-119 | Pin kit, seal-tight metal box | Bottom pins Master pins Top pins Pin springs Retainer caps | Retainer cap pins Retainer cap pin springs Shim stock Tweezers Follower bar | Removal tool T-Pin Spring T-pin Removable Cap | 286.00 |
| 40-132 | Retail Keying Kit, seal-tight metal box | Bottom pins Top pins Pin springs Cylinder caps Cap spring and pins | B-Series cylinder bars Key gage Follower bar Cap-removal tool Retaining Rings | T-Pin Spring T-pin Removable Cap | 183.00 |
| 40-133 | Home Secure™ Pin kit | Bottom pins Top pins Master pins Follower bar Removal tool Key gage Cylinder springs | Tweezers Retaining rings Retainer caps Retainer cap pin springs B-Series cylinder bars B-Series drivers Shim stock | Construction balls Retainer cap pins T-Pin Spring T-pin Removable Cap | 315.00 |
| 40-134 | Pin kit, snap-tight plastic box | Bottom pins Top pins Pin springs Retainer cap pins | Key gage Follower bar T-Pin Spring T-pin | Removable Cap | 76.40 |

Note: 1) For replacement pins and springs, see **Cylinders**.



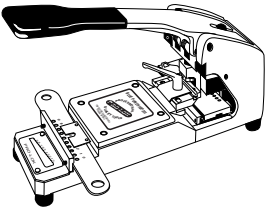
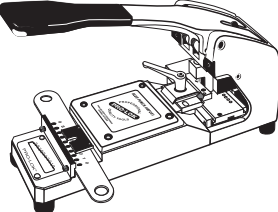
| Full Size Keying Tools | | |
|-------------------------------|---|-----------------|
| Part Number | Description | Price Each |
| 40-066 | Primus® plug holder | \$86.70 |
| 40-074* | Everest vise jaw upgrade kit | 61.80 |
| 40-075** | Key biting punch for Everest® C Family and obverse keys | 2,088.00 |
| 40-104 | Key gage (All Schlage keys except SFIC) | 12.00 |
| 40-116 | Shell loading tool | 101.00 |
| 40-099 | Key biting punch for Everest D-Family | 2,504.00 |
| M204-168 | Lubriplate | 5.40 |
| M204-200 | Tweezers | 28.60 |
| M204-201 | Shim (pack of 25) | 22.40 |
| M540-051 | Follower | 4.30 |
| M540-056 | Retainer cap removal tool | 43.50 |
| M204-200 | Tweezers | 28.70 |
| M540-000 | Aluminum Follower and Master Pin Remover | 39.30 |

* Adds Everest® C Family capability to Blue Punch key machines (designed for Obverse keys) with serial numbers below 990358, manufactured before July 1999.

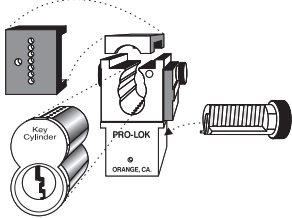
** For all conventional and Primus® keys with Obverse and Everest® C Family sections only

| Small Format Interchangeable Core Pin Kits | | | | |
|---|--------------------|---|---|-------------------|
| Part Number | Description | Contents | | Price Each |
| 40-129 | A2 System pin kit | Blocking pin springs Blocking pins Bottom pins Caps Master/build-up/top pins Tumbler springs | Plug retainers Capping block Capping tool Ejector tool Key gage Tweezers | \$581.00 |

Note: 1) For pin kit refills, see **Cylinders**.

| | | |
|--|--|--|
| <p>40-071 Everest® B Family Key Bitting Punch</p>  | <p>40-181 Falcon/Best® SFIC Key Bitting Punch</p>  | <p>40-128 SFIC Key Gage</p>  |
|--|--|--|

40-171
IC Decode, Dump Tool



| | | |
|--|---|---|
| <p>40-172 Ejector Pin</p>  | <p>40-173 Staking Tool</p>  | <p>M540-000 Aluminum Follower and Master Pin Remover</p>  |
|--|---|---|

| Small Format Interchangeable Core Service Equipment | | |
|--|--|-------------------|
| Part Number | Description | Price Each |
| 40-071* | Key bitting punch, Everest® B Family keys only | \$2,625.00 |
| 40-128 | Key gage, A2 system | 11.80 |
| 40-181 | Key bitting punch, Falcon/Best® | 2,474.00 |
| 40-171 | IC decode, rekey, dump tool | 177.00 |
| 40-172 | Ejector Tool | 33.30 |
| 40-173 | Staking Tool | 33.30 |
| M540-000 | Aluminum Follower and Master Pin Remover | 39.30 |

* For service of this key machine, contact:
Pro-Lok
655 North Hariton St.
Orange, CA 92668
(714) 633-0681
FAX (714) 633-0471

40-090
Titan/Kwikset Keying Kit



40-094
Weiser Keying Kit



Competitive Keying Kits enable Schlage Residential B and F-Series cylinders to be keyed into a competitor's key system.

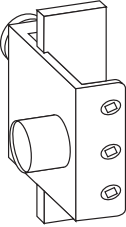
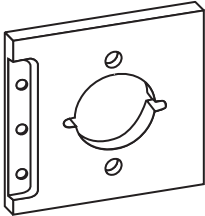
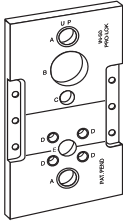
Competitive Keying Kits

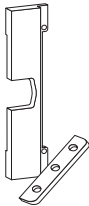
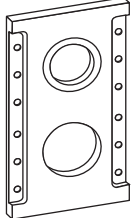
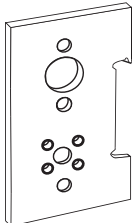
| Part Number | Description | Contents | | | Price Each |
|-------------|---|-------------|------------------|--------------------------|-----------------|
| 40-090 | Titan/Kwikset competitive keying conversion kit | Bottom pins | Follower bar | Retainer cap pins | \$354.00 |
| | | Top pins | Cap removal tool | Retainer cap pin springs | |
| | | Pin springs | Key gage | B-Series plugs | |
| | | Tweezers | Retainer rings | F-Series plugs | |
| 40-094 | Weiser competitive keying conversion kit | Bottom pins | Follower bar | Retainer cap pins | \$354.00 |
| | | Top pins | Cap removal tool | Retainer cap pin springs | |
| | | Pin springs | Key gage | B-Series plugs | |
| | | Tweezers | Retaining rings | F-Series plugs | |

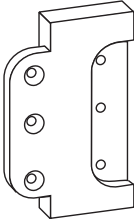
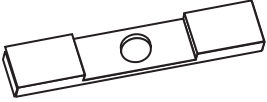
Note: 1) For replacement pins, springs and plugs, see **Cylinders: Competitive Keying Kit Refills**.


Competitive Keying Tools

| Part Number | Description | Price Each |
|-------------|---------------------------------|----------------|
| M504-435 | Titan/Kwikset Key gage with bag | \$11.00 |
| M504-439 | Weiser key gage with bag | |

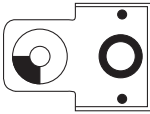
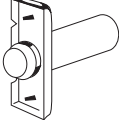
| | | |
|--|---|---|
| <p>40-149 Universal Clamp</p>  | <p>40-154 AL & ND Template</p>  | <p>40-155 L-Series Template (front side)</p>  |
|--|---|---|

| | | |
|---|--|---|
| <p>40-152 1 3/8" Thick Door Adapter x 2 3/8" Backset</p>  | <p>40-159 H-Series Template</p>  | <p>40-157 L-Series Template (reverse side)</p>  |
|---|--|---|

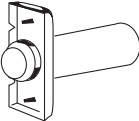
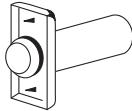
| | |
|--|--|
| <p>40-153 5" Backset Adapter</p>  | <p>40-158 Mortise Pocket Filler (edge)</p>  |
|--|--|

| |
|---|
| <p>40-026 1 1/2" Bushing (old style)</p>  |
|---|

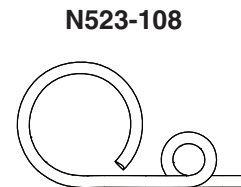
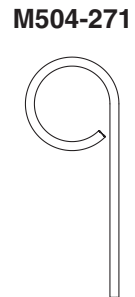
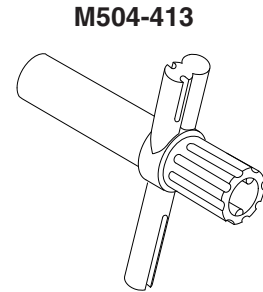
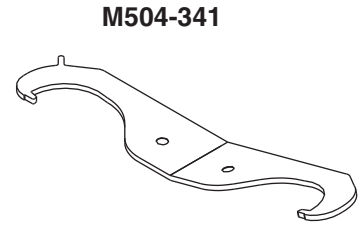
Strike Marking Chisels

| | |
|--|--|
| <p>40-029</p>  | <p>40-030</p>  |
|--|--|

Latch Marking Chisels

| | |
|---|---|
| <p>40-031 1" Front</p>  | <p>40-032 1 1/8" Front</p>  |
|---|---|

| Installation Tools | | |
|--------------------|--|------------|
| Part Number | Description | Price Each |
| 40-017 | AL and D-Series Lever castle nut wrench | \$8.80 |
| 40-026 | Bushing, 1 1/2", for 40-012 jig | 33.10 |
| 40-029 | Strike marking chisel - full lip strikes | 53.00 |
| 40-030 | Strike marking chisel - 1 1/8" x 2 3/4" | 58.70 |
| 40-031 | Latch marking chisel - 1" x 2 1/4" | 50.70 |
| 40-032 | Latch marking chisel - 1 1/8" x 2 1/4" | 50.70 |
| 40-049 | Tool box, for 40-006 kit | 186.00 |
| 40-050 | Tool box, for 40-055 kit | 165.00 |
| 40-112 | Circular strike bit for machine equipment | 577.00 |
| 40-149 | Universal Clamp | 159.00 |
| 40-152 | Backset Adapter for 1-3/8" doors and/or 2-3/8" Backset | 155.00 |
| 40-153 | Backset Adpter for 5" Backset | 108.00 |
| 40-154 | AL and ND Series Template | 156.00 |
| 40-155 | L Series Template (front side) | 229.00 |
| 40-157 | L Series Template (reverse side) | 229.00 |
| 40-158 | L Series mortise pocket filler (edge) | 115.00 |
| 40-159 | H Series Template | 197.00 |
| 40-035 | Strike locator - 7/8" | 36.40 |
| 40-015 | 7/8" Boring bit | 136.00 |
| 40-179 | Strike locator - 1" | 36.40 |
| 40-175 | 1" Boring bit | 70.30 |
| 40-176 | 2-1/8" Multi-spur bit | 177.00 |
| 40-177 | 1-1/2" Muliti-spur bit | 154.00 |
| 40-178 | Quick change bit adapter | 121.00 |
| M204-198 | Boring jig, for AL or D-Series Levers | 11.10 |
| M504-271 | Tool to remove AL and D-Series levers | 1.20 |
| M504-306 | Circular faceplate wrench | 1.60 |
| M504-341 | Spanner wrench, D-Series Knobs and L-Series | 1.90 |
| M504-347 | Socket screw key, for 40-012 jig | 1.50 |
| M504-413 | Installation tool, interchangeable core | 11.70 |
| N523-108 | Tool to remove AL and D-Series levers | 1.10 |



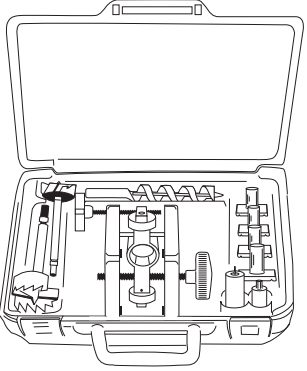
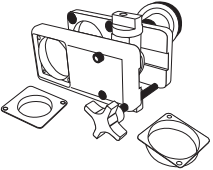
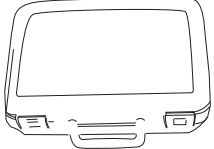
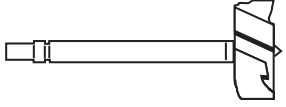
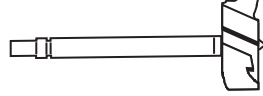




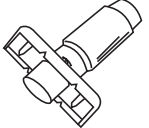
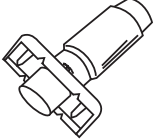
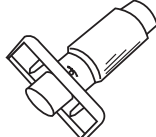
| Torx® Tools | | |
|-------------|-------------|------------|
| Part Number | Description | Price Each |
| M504-424 | Tool T-8 | \$28.60 |
| M504-425 | Tool T-15 | 27.50 |
| M504-426 | Tool T-20 | |
| M504-427 | Tool T-30 | |
| M504-428 | Tool T-10 | |

| Home Secure RCK Accessories | | |
|------------------------------------|--|-------------------|
| Part Number | Description | Price Each |
| 50-110 | Home Secure Keying Chart Fifteen construction key combinations, each with 600 compatible home owner combinations for a total of 9,000 key combinations. Includes user's manual. | \$365.00 |
| P513-024 | Home Secure Construction Key Envelopes | 0.36 |
| P513-023 | Home Secure Owner Key Envelopes | 0.36 |
| 34-401 | Home Secure Replacement Construction Balls (pack of 1,000 construction balls) | 30.10 |

| Maintenance Kits (Replacement Parts Assortments) | | |
|---|---------------------------------|-------------------|
| Part Number | Description | Price Each |
| 40-054 | L-Series maintenance kit | \$637.00 |
| 40-069 | D-Series Lever maintenance kit | 469.00 |
| 40-097 | ND-Series Lever maintenance kit | 469.00 |

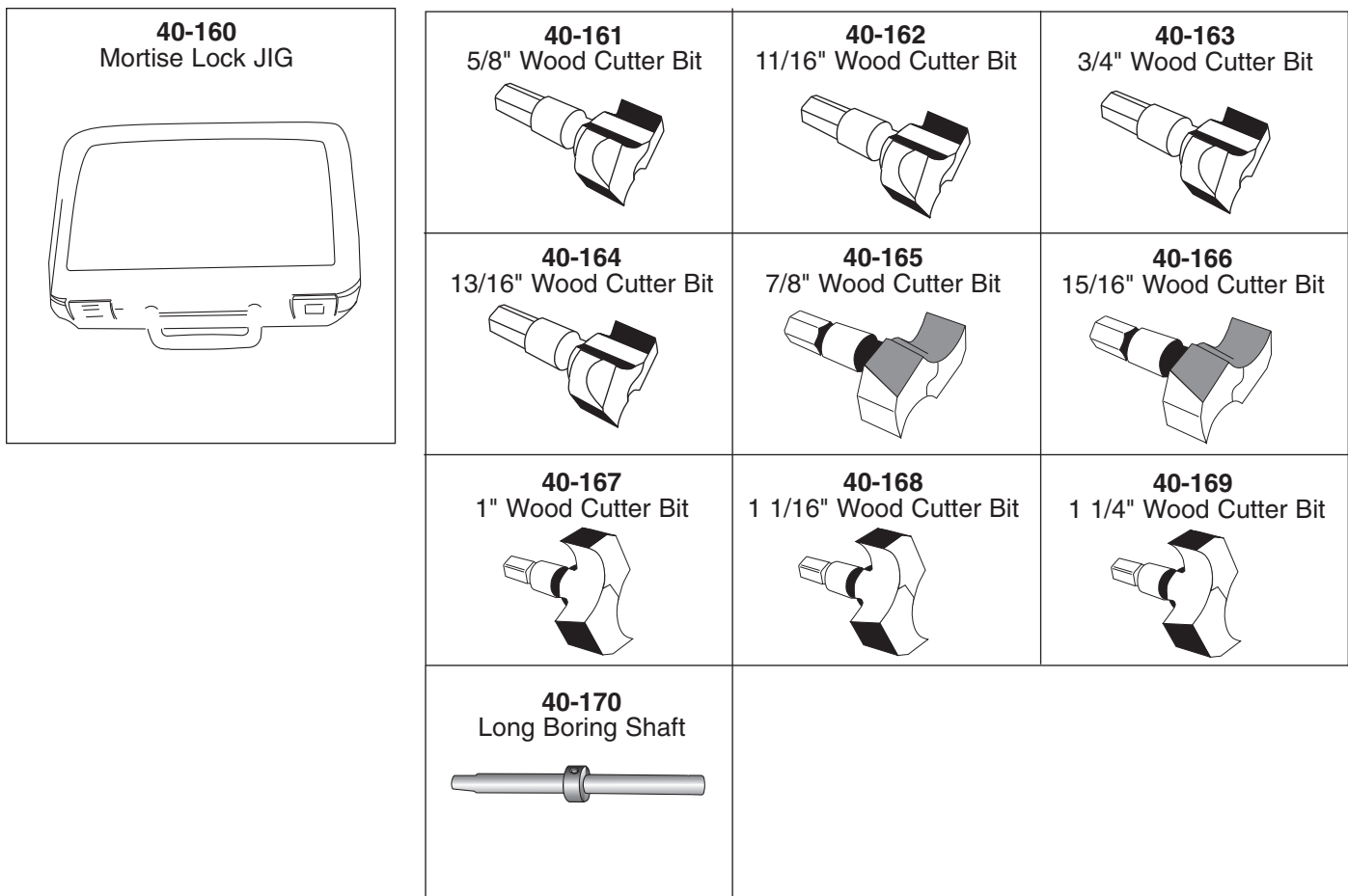


| Portable Security Repair Kits | | |
|--------------------------------------|--|-------------------|
| Part Number | Description | Price Each |
| KZ390AL | Portable Security Repair Kit supports all Portable Security Commercial Padlocks and Locking Cables, SFIC and KNK. See PS-9 for additional details | \$465.00 |

| | | | |
|--|--|---|--|
| <p>40-147 Complete Installation Kit</p>  | <p>40-148 Installation JIG</p>  | <p>M504-497 Case Only</p>  | <p>40-176 2 1/8" Multi Spur Bit</p>  |
| | <p>40-177 1 1/2" Multi Spur Kit</p>  | <p>40-175 1" Bit 40-015 7/8" Bit</p>  | <p>40-179 1" Strike Locator 40-035 7/8" Strike Locator</p>  |
| | <p>40-178 Quick Change Bit Adapter</p>  | <p>40-029 Full Lip Strike Chisel</p>  | <p>40-030 1 1/8" x 2 3/4" Strike Chisel</p>  |
| | <p>40-031 1" x 2 1/4" Latch Chisel</p>  | <p>40-032 1 1/8" x 2 1/4" Latch Chisel</p>  | |

| Installation Kits | | | | |
|-------------------|---|--|--|-------------------|
| Part Number | Description | Contents | | Price Each |
| 40-147 | Installation Kit for Locksets & Deadbolts Kit includes JIG, Case, (2) Multi-spur bits, (4) latch/strike chisels, (2) Bushing Plates, Quick Change bit adapter, 1" Auger bit & strike locator | 40-148 M504-497 40-176 40-177 40-030 40-032 | 40-175 40-179 40-178 40-029 40-031 | \$1,670.00 |
| M504-497 | Case Only | — | | 148.00 |
| 40-148 | Installation JIG only | — | | 1,267.00 |

Notes: 1) For F-Series installation, 40-015 and 40-035 (Page Tool-7) is required.
2) For 40-147, doors requiring thrubolt holes and/or 7/8" edge bores, bits sold separately. Reference Tool-7.






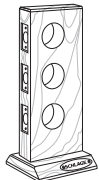
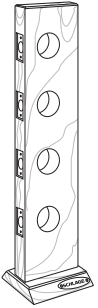

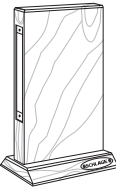

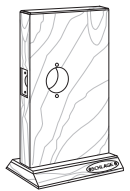
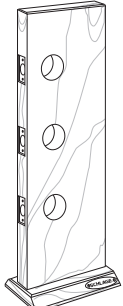
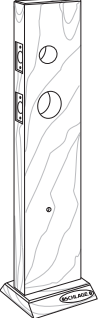
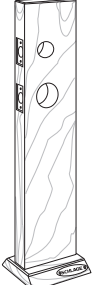
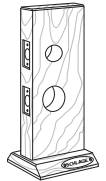
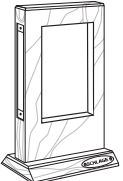

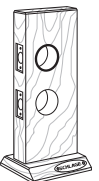
| Installation Kits | | | | |
|-------------------|---|----------------------------|------------------|-----------------|
| Part Number | Description | Contents | | Price Each |
| 40-160 | Installation kit for mortise lock Kit includes: Jig, Case (3 wood cutter bits and long boring shaft) | 40-160 40-165 40-167 | 40-169 40-170 | \$877.00 |

| Installation Tools | | |
|--------------------|--------------------------------------|----------------|
| Part Number | Description | Price Each |
| 40-161 | 5/8" Woodcutter Bit | \$83.40 |
| 40-162 | 11/16" Woodcutter Bit | 83.40 |
| 40-163 | 3/4" Woodcutter Bit | 83.40 |
| 40-164 | 13/16" Woodcutter Bit | 83.40 |
| 40-165 | 7/8" Woodcutter Bit | 90.60 |
| 40-166 | 15/16" Woodcutter Bit | 90.60 |
| 40-167 | 1" Woodcutter Bit | 90.60 |
| 40-168 | 1-1/16" Woodcutter Bit | 90.60 |
| 40-169 | 1-1/4" Woodcutter Bit | 113.00 |
| 40-170 | Long boring shaft for locks up to 6" | 172.00 |

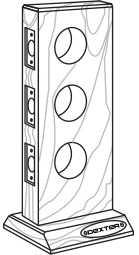
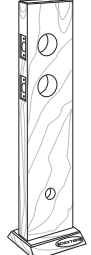
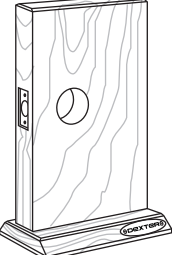
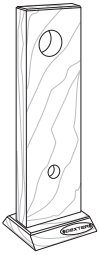
Table of Contents

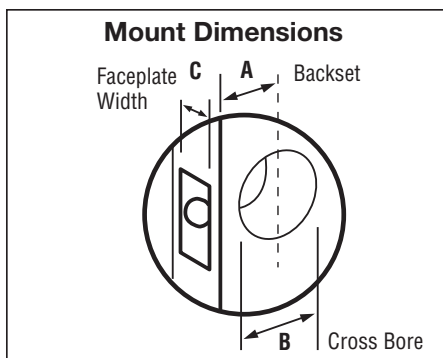
| | |
|-------------------------------|-----------------------------|
| Stock Products | Stock Products Tab |
| Display Mounts | Merch-3 |
| Solid Oak Mounts | Merch-3 |
| Special Parts | Merch-3 |
| Miscellaneous | Merch-4 |
| Finish Selector Kit | Merch-4 |
| Plastic Lock Case Cover | Merch-4 |
| Promotional Items | Merch-4 |
| How To Order | Forms & Examples |

Product literature is available, contact Customer Service.

| Solid Oak Mounts | | | |
|--|--|---|--|
| <p>44-104</p>  | <p>44-105</p>  | <p>44-106</p>  | <p>44-107</p>  |
| <p>44-108</p>  | <p>44-109*</p>  | <p>44-110</p>  | <p>44-111</p>  |
| <p>44-112</p>  | <p>44-113</p>  | <p>44-119*</p>  | <p>44-120*</p>  |
| <p>44-121</p>  | <p>XL11-806</p>  | <p>44-161</p>  | <p>44-162</p>  |

* Top and bottom holes are 4" center to center.

| Dexter by Schlage | | | |
|--|--|---|--|
| <p>44-070</p>  | <p>44-133</p>  | <p>44-132</p>  | <p>44-157</p>  |



| Display Mounts | | | | | | |
|----------------|---|------------|---------------------------------|--------|------------------|------------|
| Part Number | Description | Dimensions | | | | Price Each |
| | | A | B | C | Overall | |
| 44-104 | B (except BR260 & B260E) | 2 3/8" | 1 1/2" | 1 1/8" | 6" x 9 1/2" | \$84.60 |
| 44-105 | A, F/FA, B/BA (single) and BE | 2 3/8" | 2 1/8" | 1" | 6" x 9 1/2" | 84.60 |
| 44-106 | A with B/BA, F/FA, FE, and H (double) | 2 3/8" | 2 1/8" | 1" | 6" x 14" | 102.00 |
| 44-107 | A, F/FA, B/BA (triple) | 2 3/8" | 2 1/8" | 1" | 6" x 14" | 108.00 |
| 44-108 | A, F/FA, B/BA (quadruple) | 2 3/8" | 2 1/8" | 1" | 6" x 24 1/2" | 136.00 |
| 44-109 | F/FA, FE300 | 2 3/8" | 2 1/8" | 1" | 6" x 24 1/2" | 112.00 |
| 44-110* | L9000 | 2 3/4" | — | — | 8 1/2" x 14" | 102.00 |
| 44-111 | A, B600/700/800, D Knob, S (single) | 2 3/4" | 2 1/8" | 1 1/8" | 8 1/2" x 14" | 114.00 |
| 44-112 | D Lever, AL (single), ND Lever | 2 3/4" | 2 1/8" | 1 1/8" | 8 1/2" x 14" | 134.00 |
| 44-113 | A, S, D Knob (triple) | 2 3/4" | 2 1/8" | 1 1/8" | 8 1/2" x 24 1/2" | 160.00 |
| 44-115 | Clear plastic mount ring | — | 2 1/8" | — | 2 1/2" x 1" | 31.80 |
| 44-119 | F300 BOW | 2 3/8" | 1 1/2" (top) 2 1/8" (bottom) | 1" | 6" x 24 1/2" | 85.70 |
| 44-120 | F300 CEN | 2 3/8" | 1 1/2" (top) 2 1/8" (bottom) | 1" | 6" x 24 1/2" | 85.70 |
| 44-121 | S200, H | 2 3/8" | 1 1/2" (top) 2 1/8" (bottom) | 1" | 6" x 14" | 105.00 |
| 44-161 | FE Keypad Lock Mount | 2 3/8" | 2 1/8" | 1" | 6" x 14" | 88.40 |
| 44-162 | FE & BE Keypad Lock & Keypad Deadbolt Mount | 2 3/8" | 1 1/2" (top) 2 1/8" (bottom) | 1" | 6" x 19" | 109.00 |

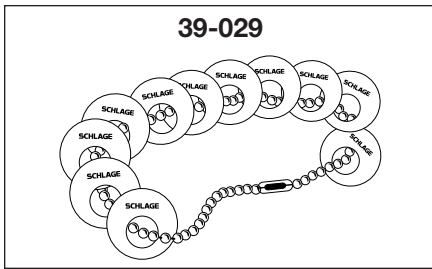
* For special L lock mount, see *Special Parts*.

- Notes: 1) Price does not include lock.
2) L400-Series mounts are not available.

| Dexter by Schlage Mounts | | |
|--------------------------|---|---------|
| Part No. | Description | List |
| 44-070 | Dexter 3 Hole Mount (2-1/8" Cross Bore, 1" Edge Bore) | \$63.40 |
| 44-132 | Dexter 1 Hole Mount (2-1/8" Cross Bore, 1" Edge Bore) | 46.90 |
| 44-133 | Dexter Handleset Mount (2-1/8" Cross Bore, 1" Edge Bore) | 71.40 |
| 44-157 | Dexter Handleset Decorative Trim - Cirrus - Mount (2-1/8" Cross Bore, 1" Edge Bore) | 71.40 |

| Special Parts | | |
|---|---|------------|
| ⌚ Extended Factory Lead Time Not subject to standard discount terms | | |
| Part Number | Description | Price Each |
| XL11-806 | Modified 44-110 display mount with see-through window | \$386.00 |

Note: 1) If you are unable to find your required hardware solution in this Price Book, please refer to the Custom Product Request process on page iv.



| Finish Selector Kit | | |
|----------------------------|--|-------------------|
| Part Number | Description | Price Each |
| 39-029 | Finish selector kit Finishes: 505, 605, 606, 609, 610, 611, 612, 613, 616, 619, 620, 622, 625, 626, 629, 630, 716 | \$35.20 |

| Plastic Lock Case Cover | | |
|--------------------------------|---|-------------------|
| Part Number | Description | Price Each |
| 39-042* | Plastic lock case cover (for display), L-Series | \$56.60 |

* For lock cases manufactured after January, 1998.

| | | |
|---|---|---|
| <p>40-077 Everest®/Everest Primus® Sales Demonstration Kit</p>  | <p>40-146 Classic/Classic Primus Sales Demonstration Kit</p>  | <p>40-072 Classic Primus 40-073 Everest Conventional 40-093 Everest Primus</p>  |
|---|---|---|

| Promotional Items | | |
|--------------------------|-------------------------------------|-------------------|
| Part Number | Description | Price Each |
| 40-072-XP | Classic Primus XP cutaway cylinder | \$186.00 |
| 40-093-XP | Everest Primus XP cutaway cylinder | 186.00 |
| 40-073 | Everest cutaway cylinder | 186.00 |
| 40-077-XP | Everest/Everest Primus XP Sales Kit | 412.00 |
| 40-146-XP | Classic/Classic Primus XP sales kit | 129.00 |

A

Active Door (in a pair of doors): The leaf that opens first and the one to which the lock is applied.

AHC: Indicates that the individual so identified is a qualified Architectural Hardware Consultant and member of the Door and Hardware Institute.

Anti-Friction Bearing: Any bearing having the capability of effectively reducing friction.

Anti-Friction Latch Bolt: A latch bolt designed to reduce friction when the bolt starts to engage the lock strike.

Architectural Hardware: Term applied to all hardware used in building construction but particularly that used on or in connection with doors, windows, cabinets and other movable members.

Armored Front: A lock that consists of two plates: one, the under plate, is fastened to the case and is unfinished; two, the finish plate, is fastened to the under plate and when in place covers the cylinder set screws thus protecting them from tampering. Used on mortise locks.

Armor Plate: A plate similar to a kick plate but covering the door to a greater height, usually 40" (1040 mm) or more from the bottom.

Astragal: A molding or strip whose purpose is to cover or close the gap between the edges of a pair of doors. Some types overlap, others meet at the center line of the gap. (See Coordinator.)

Auxiliary Dead Latch: A supplementary latch that automatically deadlocks the main latch bolt when the door is closed. (Also called Deadlocking Latch Bolt.)

Auxiliary Lock: A lock having a latch bolt or a dead bolt operated by a key or a thumbturn or both. This lock is often used in addition to another lock, which may or may not be key operated but which has a latch bolt operated by knobs or levers.

B

Back Check: Optional feature in hydraulic door closers slowing the opening swing of door somewhere between 60 and 85 degrees of opening. Designed to protect an object behind the door. Not intended to act as an overhead stop.

Backset (of a lock): The horizontal distance from the face of the lock to the center line of knob hub, keyhole or cylinder. (Measured from the high side of a beveled door.)

Backset (of a hinge): The distance from the edge of the door to the hinge.

Ball-Bearing Hinge: A hinge equipped with ball bearings between the hinge knuckles to reduce friction (See Anti-Friction Bearing.)

Bevel (of a door): The angle of the lock edge in relation to the face of the lock stile. Standard bevel is 1/8" in 2" (3.2 mm in 50.8 mm). If otherwise detailed it must be so noted in ordering locks.

Bevel (of a lock): A term used to indicate the direction in which the latch bolt is inclined: regular bevel for doors opening in, reverse bevel for doors opening out.

Bevel (of a lock front): The angle of a lock front when not at right angle to the lock case, allowing the front to be applied flush with the edge of a beveled door

Bit (of a key): The projecting blade, cut in a manner that actuates the tumblers and permits the lock bolts to be operated.

Bored Lock (or Latch): Lock or latch whose parts are intended for installation in holes bored in a door

Box Strike: A strike that also provides a complete housing to protect the bolt openings.

Builders Hardware: See Architectural Hardware.

Butt (Hinge): A type of hinge designed for mortising into the edge of the door and into the rabbet of a door frame.

C

Cam (of a cylinder): A rotating piece attached to the end of the cylinder plug to engage the locking mechanism.

Cane Bolt: A heavy cane-shaped bolt with the top bent at right angles; used on the bottom of doors.

Case (of a lock): The box containing the lock mechanism.

Casement Hinge: A hinge to swing a casement window. The term is often used to describe a hinge designed to throw the sash out far enough to permit cleaning the outside of the glass from the inside of the room on an outward-swinging casement.

CDC: Indicates that the individual so identified is a Certified Door Consultant and member of the Door and Hardware Institute.

Chain Bolt: A spring bolt actuated by a chain attached to the spring bolt for application at the top of the door.

Chain Door Fastener: A device that limits the opening of a door by means of a chain.

Changes (Key): The different bittings or tumbler arrangements in a series of locks.

Checking Floor Hinge: A device placed in the floor that combines top and bottom pivots for hanging the door with a controlled speed dosing mechanism.

Continuous Hinge (also called Piano Hinge): A hinge designed to be the same length as the moving part to which it is applied as, for example, the lid covering the keyboard of a piano.

Coordinator: A device used on a pair of doors to ensure that the inactive leaf is pre-moved to dose before the active leaf. Necessary when an overlapping astragal is present and exit devices, automatic or self latching bolts are used with closers on both door leaves.

Cremona Bolt: A device of surface application that, by a turn of knob or lever handle, locks the door or the sash into the frame, top and bottom.

Cup Escutcheon: A door plate, for use on sliding doors, having a recessed panel to afford finger hold and to contain a flush ring and sometimes a cylinder, all being flush with the surface of the plate.

Cylinder (of a lock): The cylindrical-shaped assembly containing the tumbler mechanism and the keyway, which can be actuated only by the correct keys.

Cylinder Collar: A plate or ring used under the head of a cylinder.

Cylinder Lock: A lock in which the locking mechanism is controlled by a cylinder.

Cylindrical (locks and latches): A term used to describe bored locks, which have a cylindrical case into which a separate latch bolt case fits.

Cylinder Screw: The set screw that holds a cylinder in place by preventing the cylinder from being turned after installation.

D

Deadbolt (of a lock): A lock bolt having no spring action nor bevel, and which is operated by a key or a turn piece.

Deadlock: A lock equipped with a dead bolt only.

Deadlocking Latch Bolt: A latch bolt incorporating a plunger that is held in a retracted position when a door is dosed, thus preventing the bolt from being retracted by end pressure.

Dogging Device: As used in exit devices, a mechanism that fastens the cross bar in the fully depressed position, and also retains the latch bolt or bolts in a retracted position, thus permitting free operation of the door from either side.

Door Bolt: A manually operated rod or bar attached to a door providing means of locking.

Door Closer Bracket: A device whereby a door closer may be installed on the frame rather than directly on the door.

Door Closer or Check: A device combining a spring for dosing and a compression chamber into which the liquid or air escapes slowly, thus providing a means of controlling the speed of the dosing action.

Door Holder: A device that holds a door open at selected positions.

Door Pivot: A hinging device embodying a fixed pin and a single joint. Most types include lateral fastening.

Glossary

Door Stop: A device to stop the swing or movement of a door at a certain point. Also an architectural term defining that part of a door frame against which the door closes.

Double Cylinder Dead Bolt: Any type of auxiliary lock requiring a key to project or retract the dead bolt (lock or unlock) from either side.

Double-Throw Bolt: A bolt that can be projected beyond its first position into a second, or fully extended one, thus providing extra security.

Drawer Roller: A device used to ease the sliding of a drawer open or shut, usually with a metal or fiber wheel rotating in a metal frame.

Drawer Slides: A mechanism employing guides and rollers that guide and support the drawer, permitting easy operation.

Drivers: The upper set of pins in a pin tumbler cylinder, which, activated by the springs, project into the plug until raised by insertion of the key.

Drop Escutcheon (or Key Plate): One having a pivoted plate that covers the key hole.

Drop Ring: A ring handle attached to a spindle that operates a lock or latch. The ring is pivoted but remains in a dropped position when not in use.

Dummy Cylinder: A mock cylinder without any operating mechanism for use where effect is desired.

Dummy Trim: Trim only, without lock; usually used on the inactive door in a pair of doors.

Dust-Proof Strike: A strike with a spring plunger that completely fills the bolt hole when the bolt is not projected.

Dutch Door Bolt: Device for locking together the upper and the lower leaves of a Dutch door.

E

Edge Plate: An angle or channel-shaped guard used to protect the edge of a door.

Edge Pull: A pull mortised into the edge of a sliding door.

Elbow Catch: A spring-loaded device embodying a rocker arm and angle strike, for locking the inactive leaf of a pair of cabinet locks.

Electric Strike: An electrical device that permits releasing of the door from a remote control.

Escutcheon (Elongated): A plate long enough to span a lock case and having holes for knob bushing, bit key, cylinder, turn knob and similar operating members as required.

Escutcheon (Key): See Key Plate.

Exit Device: A door-locking device designed to grant instant exit by pressing on a cross bar that releases the locking bolt or latch.

Extension Flush Bolt: A flush bolt in which the connection between bolt head and operating mechanism is by means of a rod inserted through a hole bored in the thickness of the door.

Extension Link: A device used to provide long backsets in bored locks.

F

Face (of a lock): The exposed surface that shows in the edge of a door after installation. (See Front.)

Fast Pin Hinge: One in which the pin is fastened permanently in place.

Finish Builders Hardware: Hardware that has a finished appearance as well as a functional purpose and that may be considered a part of the decorative treatment of a room or building. Also termed Architectural Hardware, Finish Hardware and Builders Finish Hardware.

Fire Exit Bolt: See Exit Device.

Floor Closer: A closing device installed in the floor under a door.

Floor Hinge: A combined pivot hinge and closing device set either in the floor or in the bottom of the door. It may be spring type only or may be combined with liquid control.

Flush Bolt: A door bolt so designed that when applied it is flush with the face or edge of the door.

Flush Cup Pull: A pull mortised flush into a door, having a ring pull that folds flat into the cup of the pull.

Flush Ring: A flush door pull mortised in a door, having a ring pull that folds flat into the cup of the pull.

Foot Bolt: A type of bolt applied at the bottom of a door and arranged for foot operation. Generally the bolt head is held up by a spring when the door is unbolted.

Friction Catch: Any catch which when it engages a strike is held in the engaged position by friction.

Friction Hinge: A hinge designed to hang a door and hold it at any desired degree of opening by means of friction control incorporated in the knuckle of the hinge.

Front (of a lock): The plate through which the latching or locking bolts project. (See Face.)

G

Grand Master Key: A key that operates locks in several groups, each of which has its own master key.

Guard Bar: A series of two or more cross bars generally fastened to a common back plate to insure protection of glass or screen in a door.

H

Hand (of a lock, etc.): A term used to indicate the direction of swing or movement, and/or locking security side of a door.

Handed (locks, etc.): A term used to indicate that the article is for use only on doors of the designated hand.

Harmon Hinge: A hinge designed to swing a door into a pocket at a right angle with the frame.

Hasp: A fastening device consisting of a loop and a slotted hinge plate, normally secured with a padlock.

Hinge: Two plates pinned together by a pin and attached to a door and its frame whereby a door is supported and is enabled to swing or move.

Hinge Stile (of a door): The stile to which the hinges are applied as distinguished from the lock stile.

Horizontal Spring Hinge: A spring hinge mortised horizontally into the bottom rail of a door and fastened to the floor and head frame with pivots.

Hub: The part of a lock through which the spindle passes to actuate the mechanism.

I

Inactive Door (or leaf): That leaf of a pair of doors that does not contain a lock, but is bolted when closed, and to which the strike is fastened to receive the latch or bolt of the active door.

Indicator Button: A device used in connection with a hotel lock to indicate whether or not the room is occupied.

Integral (locks and latches): A term used to describe a type of mortise lock having cylinder in the knob.

Interconnected Lock: (Also known by a number of different trade names) A lock having a separate latch and dead bolt mechanically interconnected and installed in round bored openings in the face and edge of a door. It is best known for providing dead bolt security with the life safety feature of simultaneous retraction. When the dead bolt is projected, a single turn of the inside knob retracts both the dead bolt and the latch bolt. This simultaneous retraction function is also available with some functions of mortise locks.

Invisible Hinge: A hinge so constructed that no parts are exposed when the door is closed.

K

Keeper: Synonymous with Strike.

Key Change: The combination of cuts in a key that enable it to operate the lock for which intended.

Key Plate: A small plate or escutcheon having only a keyhole.

Keyway: The aperture in lock cylinders that receives the key and closely engages with it throughout its length.

Kick Plate: A protective plate applied on the lower rail of the door to prevent the door from being marred.

Knob: A projecting handle for operating a lock.

Knob Shank: The projecting stem of a knob into which the spindle is fastened.

Knob Top: That part of the knob that the hand grasps.

Knuckle: The enlarged part of a hinge into which the pin is inserted.

L

Latch Bolt: A beveled spring bolt, usually operated by a knob, handle or turn.

Leaf (of a pair of doors): One of the two doors forming a pair of doors.

Letterbox Back Plate: A plate, similar to a letterbox plate, attached to the inside of a door to allow the passage of mail.

Letterbox Plate: A date attached to the door with an opening to permit insertion of mail.

Lever Handle: A horizontal handle for operating the bolt(s) of a lock.

Lever Tumbler: Flat tumbler having a pivoted motion actuated by the turning of the key and controlling the locking function.

Lip of a Strike: The projecting part on which the latch bolt rides.

Lock Rail (of the door): The horizontal member of a door intended to receive the lock case.

Lock Set: A lock, complete with trim, such as knobs, escutcheons or handles.

Lock Stile (of a door): The stile to which the lock is applied as distinguished from the hinge stile.

Loose Joint Hinge: A hinge having but two knuckles; the pin is fastened permanently to one knuckle, the other contains the pinhole, whereby the two parts of the hinge can be disengaged by lifting. These hinges are handed.

Loose Pin Hinge: A hinge having a removable pin to permit the two parts of the hinge to be separated.

M

Magnetic Catch: A cupboard catch that uses a magnet to hold the door closed.

Master Key: Operates any quantity of cylinders of different individual key changes.

Masterkeying: An arrangement of cylinders having individual key changes, which permits them all to be operated by a simple key called a master key.

Mono Lock: See Preassembled Lock.

Mop Plate: A narrow plate similar to a kick plate, of sufficient height to protect against the swish of the mop.

Mortise: A cavity made to receive a lock or other hardware; also the act of making such a cavity.

Mortise Bolt: A door bolt designed to be mortised into a door rather than applied to its surface.

Mortise Lock (or Latch): A lock designed to be installed in a mortise rather than applied to the door's surface.

Mullion: A fixed or movable post dividing an opening vertically.

N

Nightlatch: An auxiliary lock having a spring latch bolt and functioning independently of, and providing additional security to, the regular lock of the door.

O

Olive Knuckle Hinge: A paumelle hinge with knuckles forming an oval shape.

Overhead Concealed Closer: A closer concealed in the head frame with an arm connecting with the door at the top rail.

P

Panic Exit Device: See Exit Device.

Paracentric: A term used in connection with cylinder plugs having projections on the sides of the keyway that extend beyond the vertical center line of the keyway.

Paumelle: A style of hinge embodying a single pint of the pivot type, generally of modern, or streamlined design.

Pin Tumblers: Small sliding pins in a lock cylinder, working against coil springs and preventing the cylinder plug from rotating until the pins are raised to the proper alignment by biting of key.

Pivot: See Door Pivot.

Plug (of a cylinder): The round part containing the keyway and rotated by the key to transmit motion to the bolt(s).

Preassembled Lock: A lock that has all the parts assembled as a unit at the factory, and when installed in a rectangular notch cut into the door edge, requires little or no disassembly.

Prison Lock: A heavy lock designed especially for use on jail cells.

Push Plate: A plate applied to the lock stile to protect the door against soiling and wear

Q

Quadrant (Dutch Door): A device to fasten together the upper and the lower leaves of a Dutch door.

R

Rabbet: A term used to describe the abutting edges of a pair of doors or windows so shaped as to provide a tight fit. One half of the edge projects beyond the other half, usually 1/2". Also used to define that portion of a door frame into which the door fits.

Rabbeted Lock (or Latch): A lock in which the face conforms to the rabbet found on a rabbeted door.

Rail (of a door): A horizontal member that pins the stiles. May be exposed as in a paneled door, or concealed as in a flush door

Reinforcing Unit: A metal box-shaped reinforcement for use in a metal door in which a bored lock is to be installed. It provides both vertical and horizontal latch support.

Reverse Bevel: See Bevel.

Reversible Lock: A lock which, by reversing the latch bolt, may be used by any hand. On certain types of locks, other parts must also be changed.

Rigid Lock: See Preassembled Lock.

Rim: A term indicating articles of hardware designed for application to the surface of doors and windows.

Roller Latch: A friction door latch employing a roller latch head under spring tension, which engages a strike having a recess formed to receive the roller.

Roller Strike: A strike having a rolling member at the point of latch bolt contact to minimize friction.

Rose: A trim plate attached to the door under the knob. It sometimes acts as a knob bearing.

Rounded Front: A lock or bolt front conforming to the rounded edge of a double acting door. The standard radius is 4" (101.6 mm).

S

Sash Balance: A spring device used to counterbalance the weight of a window sash or other vertical sliding part.

Sash Center: A pivoted support for transom or sash and comprised of two parts, one of which contains a pivot, the other a socket for the pivot.

Sash Chain: A metal chain adapted for use with sliding sash, attached to the sash and to the counterbalancing sash weight.

Glossary

Sash Cord: Cord or rope used similarly to sash chain and in place of chain.

Sash Cord Iron: A small metal holder inserted in the edge of the sash, to which sash cord or sash chain is attached.

Sash Fast: A fastener attached to the meeting rail of double-hung windows.

Sash Lock: A sash fast with a locking device controlled by a key

Sash Pole: A wood or metal pole to which a sash pole hook is attached.

Sash Pole Hook: A metal hook attached to a wooden or metal pole used to lower or raise a transom or sash beyond hand reach.

Sash Pulley: A pulley mortised into the frame of a double-hung sash frame over which the sash cord or sash chain passes.

Sash Socket: A metal plate containing a hole or cup to receive a sash pole hook

Sash Weight: A weight used to balance sliding sash, usually of cast iron or, if conditions require, of lead.

Screen Door Latch: A small locking or latching device used on screen doors and operated by a knob or a lever handle.

Screwless Knob: A knob attached to a spindle by means of a special wrench as distinguished from the more commonly used side knob screw.

Screwless Rose: A rose with concealed method of attachment.

Secret Gate Latch: A surface-applied latch operated by a concealed button or other device; usually used on office gates.

Shank (of a knob): The projecting stem of a knob into which the spindle is fastened.

Shelf Pin: A pin for supporting a shelf; also called a shelf support or shelf rest.

Shutter Operator (also called a Shutter Worker): A device incorporating a hinge and a method of opening or closing a shutter by means of a crank or turn from inside without opening window.

Side Knob Screw: A set screw used to fasten a knob to a spindle.

Signal Sash Fastener: A sash fastening device to lock double-hung windows that are beyond reach from the floor. It has a ring for a sash pole hook. When locked, the ring lever is down; when the ring lever is up, it signals by its upright position that the window is unlocked.

Spindle (of a knob): The bar or tube connected with the knob or lever handle that passes through the hub of the lock or other wise engages the mechanism to transmit the knob action to the bolt(s).

Split Astragal: An astragal that is split through the middle, allowing each door leaf to operate independently

Spring Hinge: A hinge containing one or more springs to move the door into the desired position. It may be either single or double acting.

Stile (of a door): A vertical member of the door structure; each door has two, a lock stile and a hinge stile.

Stop (of a lock): The button, or other small device, that serves to lock the latch bolt against the outside knob or thumb piece or unlock it if locked. Another type holds the bolt retracted.

Store Door Handle: A heavy grip or pull mounted on sectional or elongated plates and provided with a thumb piece to operate the latch trip of a store door lock.

Strap Hinge: A surface hinge of which one or both leaves are of considerable length.

Strike: A metal plate or box that is pierced or recessed to receive the bolt or latch when projected. Sometimes called Keeper.

Surface Hinge: One having both leaves surface applied.

Swinging Latch Bolt: A bolt that is hinged to a lock front and is retracted with a swinging rather than a sliding action. Sometimes called Hinged Latch Bolt.

Swivel Spindle: A spindle having a joint midway in its length to permit the knob at one end to be made rigid by the stop works while the other end is free to operate.

T

T Handle: A cross handle for actuating the bolt of a lock and used in place of a knob.

T Hinge: A surface hinge with the short member attached to the jamb and the long member attached to the door.

Template Hardware: A term indicating any item of hardware that is made to template; that is, exactly matching the master template drawing as to spacing of all holes and dimensions.

Thimble: The socket or bearing attached to an escutcheon plate in which the end of the knob shank rotates.

Three-Point Lock: A device sometimes required on three-hour fire doors to lock the active leaf of a pair of doors at three points.

Threshold: A strip fastened to the floor beneath a door, usually required to cover the joint where two types of floor material meet.

Throw (of a deadbolt or latch bolt): Measurement of the maximum projection when bolt is fully extended.

Thumb Piece (of a handle): The small pivoted part above the grip of a handle to be pressed by the thumb to operate a latch bolt.

Transom Bar: That part of a door frame that separates the top of a door or a window from the bottom of the transom

Transom Catch: A fastener applied to a transom and having a ring by which the latch bolt is retracted.

Transom Chain: A short chain used to limit the opening of a transom; usually provided at each end with a plate for attachment.

Transom Lift: A vertically operated device attached to a door frame and transom by which the transom may be opened or closed.

Tubular Lock (or Latch): A type of bored lock

Tumbler: A guard or obstruction that prevents operation of a bolt except by insertion of the proper key

Turn Piece: A small knob, lever or tee turn with spindle attached for operating the deadbolt of a lock or a mortise bolt.

Two-Point Latch: A device sometimes required on three-hour fire doors to lock the inactive leaf of a pair of doors at top and bottom.

U

Unit Lock: See Preassembled Lock.

Universal: A term used to describe a lock, a door closer or other device that can be used on doors of any hand without change.

V

Vertical Spring Pivot Hinge: A spring hinge mortised into the heel of a door and fastened to the floor and head with pivots.

W

Ward: An obstruction projecting from the lock case of side of a keyhole intended to prevent entrance or rotation of an improperly cut key.



Price Book 70A

Effective July 28, 2008
Residential Version

Effective
July 28, 2008

