

# User Manual

# E Series Data Radio

**ER450 Remote Data Radio**  
**EB450 Base Station**  
**EH450 Hot Standby Base Station**



**TRIO**

**DATACOM**

ISSUE CHANGE DETAILS

ECONO DRAWN DATE ISSUE CHANGE DETAILS

ECONO

[www.trio.com.au](http://www.trio.com.au)

Issue 7: May 2005

# Contents

<b>SECTION 1</b>	<b>3</b>	<b>Part I – TVIEW+ Management Suite - Programmer</b>	<b>41</b>
<b>Part A – Preface</b>	<b>4</b>	Introduction	41
Warranty	4	Installation	41
Important Notice	4	TVIEW+ Front Panel	42
Warning - RF Exposure	4	Programmer	42
Compliance Information	4	Appendix A - Firmware Updates	54
Related Products	5	<b>Part J – Specifications</b>	<b>56</b>
Other Related Documentation and Products	5	<b>Part K – Support Options</b>	<b>59</b>
Revision History	5	Website Information	59
<b>Part B – E Series Overview</b>	<b>6</b>	E-mail Technical Support	59
Definition of E Series Data Radio	6	Telephone Technical Support	59
E Series Product Range	6	Contacting the Service Department	59
E Series – Features and Benefits	6		
Model Number Codes	8		
Standard Accessories	9		
<b>Part C – Applications</b>	<b>10</b>		
Application Detail	10		
Systems Architecture	11		
<b>Part D – System Planning and Design</b>	<b>13</b>		
Selecting Antennas	13		
Understanding RF Path Requirements	13		
Examples of Predictive Path Modelling	14		
Data Connectivity	17		
Power Supply and Environmental Considerations	20		
Physical Dimensions - Remote Data Radio - ER450	21		
Physical Dimensions - Base Station - EB450	22		
Physical Dimensions - Hot Standby Base Station - EH450	23		
<b>Part E – Getting Started</b>	<b>24</b>		
ER450 Quick Start Guide	24		
EB450 Quick Start Guide	30		
EH450 Quick Start Guide	33		
<b>Part F - Operational Features</b>	<b>38</b>		
Multistream functionality (SID codes)	38		
Collision Avoidance (digital and RFCF based)	38		
Digipeater Operation	38		
TVIEW+ Diagnostics	38		
Poor VSWR Sensing	38		
<b>Part G – Commissioning</b>	<b>39</b>		
Power-up	39		
LED Indicators	39		
Data Transfer Indications	39		
Antenna Alignment and RSSI Testing	39		
Link Establishment and BER Testing	39		
VSWR Testing	39		
<b>Part H – Maintenance</b>	<b>40</b>		
Routine Maintenance Considerations	40		

## **SECTION 1**

---

### **Part A - Preface**

---

### **Part B - E Series Overview**

---

### **Part C - Applications**

---

### **Part D - System Planning and Design**

---

### **Part E - Getting Started**

---

### **Part F - Operational Features**

---

### **Part G - Commissioning**

---

### **Part H - Maintenance**

---

# Part A – Preface

## Warranty

All equipment supplied by Trio DataCom Pty Ltd is warranted against faulty workmanship and parts for a period of twelve (12) months from the date of delivery to the customer. During the warranty period Trio DataCom Pty Ltd shall, at its option, repair or replace faulty parts or equipment provided the fault has not been caused by misuse, accident, deliberate damage, abnormal atmosphere, liquid immersion or lightning discharge; or where attempts have been made by unauthorised persons to repair or modify the equipment.

The warranty does not cover modifications to software. All equipment for repair under warranty must be returned freight paid to Trio DataCom Pty Ltd or to such other place as Trio DataCom Pty Ltd shall nominate. Following repair or replacement the equipment shall be returned to the customer freight forward. If it is not possible due to the nature of the equipment for it to be returned to Trio DataCom Pty Ltd, then such expenses as may be incurred by Trio DataCom Pty Ltd in servicing the equipment in situ shall be chargeable to the customer.

When equipment for repair does not qualify for repair or replacement under warranty, repairs shall be performed at the prevailing costs for parts and labour. Under no circumstances shall Trio DataCom Pty Ltd's liability extend beyond the above nor shall Trio DataCom Pty Ltd, its principals, servants or agents be liable for the consequential damages caused by the failure or malfunction of any equipment.

## Important Notice

© Copyright 2002 Trio DataCom Pty Ltd All Rights Reserved

This manual covers the operation of the E Series of Digital Data Radios. Specifications described are typical only and are subject to normal manufacturing and service tolerances.

Trio DataCom Pty Ltd reserves the right to modify the equipment, its specification or this manual without prior notice, in the interest of improving performance, reliability or servicing. At the time of publication all data is correct for the operation of the equipment at the voltage and/or temperature referred to. Performance data indicates typical values related to the particular product.

This manual is copyright by Trio DataCom Pty Ltd. All rights reserved. No part of the documentation or the information supplied may be divulged to any third party without the express written permission of Trio DataCom Pty Ltd.

Some are proprietary to Trio DataCom Pty Ltd and are supplied for the purposes referred to in the accompanying documentation and must not be used for any other purpose. All such information remains the property of Trio DataCom Pty Ltd and may not be reproduced, copied, stored on or transferred to any other media or used or distributed in any way save for the express purposes for which it is supplied.

Products offered may contain software which is proprietary to Trio DataCom Pty Ltd. However, the offer of supply of these products and services does not include or infer any transfer of ownership

## Warning - RF Exposure

The radio equipment described in this user manual emits low level radio frequency energy. The concentrated energy may pose a health hazard depending on the type of antenna used. In the case of:

Non-directional antenna - DO NOT allow people to come within 0.5 metres (20 inches) of the antenna when the transmitter is operating

Directional antenna - DO NOT allow people to come within 6 metres (20 feet) of the antenna when the transmitter is operating.

## Compliance Information

### FCC Notice (Hot Standby Controller Only)

This equipment has been tested and found to comply with the limits for a Class B digital device, pursuant to Part 15 of the FCC Rules. These limits are designed to provide reasonable protection against harmful interference in a residential installation. This equipment generates, uses, and can radiate radio frequency energy and, if not installed and used in accordance with the instruction, equipment may cause harmful interference to radio communications. However, there is no guarantee that interference will not occur in a particular installation. If this equipment does cause harmful interference to radio or television reception, which can be determined by turning the equipment off and on, the user is encouraged to try to correct the interference by one or more of the following measures:

- Re-orient to relocate the receiving antenna.
- Increase the separation between the equipment and receiver.
- Connect the equipment into an outlet on a circuit different to that which the receiver is connected.
- Consult the dealer or an experienced radio/television technician for assistance.

### IC Notice (Hot Standby Controller Only)

This Class B digital apparatus complies with Canadian ICES-003. Cet appareil numérique de la class B est conforme a la norme NBM-003 du Canada.

### R&TTE Notice (Europe)

In order to comply with the R&TTE (Radio & Telecommunications Terminal Equipment) directive 1999/5/EC Article 3 (Low Voltage Directive 73/23/EEC), all radio modem installations must include an external in-line lightning arrestor or equivalent device that complies with the following specifications:

- DC Blocking Capability - 1.5kV impulse (Rise Time 10mS, Fall Time 700mS) (Repetition 10 Times) or 1.0kV rms 50Hz sine wave for 1 minute.

## Important Notices for Class I, Division 2, Groups A, B, C & D Hazardous Locations

### Applies to models ER450-xxxxx-xHx(CSA Marked)

This product is available for use in Class I, Division 2, Groups A, B, C & D Hazardous Locations. Such locations are defined in Article 500 of the US National Fire Protection Association (NFPA) publication NFPA 70, otherwise known as the National Electrical Code and in Section 18 of the Canadian Standards Association C22.1 (Canadian Electrical Code).

The transceiver has been recognised for use in these hazardous locations by the Canadian Standards Association (CSA) International. CSA certification is in accordance with CSA Standard C22.2 No. 213-M1987 and UL Standard 1604 subject to the following conditions of approval:

1. The radio modem must be mounted in a suitable enclosure so that a tool is required to gain access for disconnection of antenna, power and communication cables.
2. The antenna, DC power and interface cables must be routed through conduit in accordance with the National Electrical Codes.
3. Installation, operation and maintenance of the radio modem should be in accordance with the radio modem's user manual and the National Electrical Codes.
4. Tampering or replacement with non-factory components may adversely affect the safe use of the radio modem in hazardous locations and may void the approval.
5. A power connector retainer with thumbwheel screw as supplied by Trio Datacom **MUST** be used.

### **WARNING EXPLOSION HAZARD**

**Do not disconnect equipment unless power has been switched off or the area is known to be non-hazardous. Substitution of components may impair suitability for Class I, Division 2. Refer to Articles 500 through 502 of the National Electrical Code (NFPA 70) and Section 18 of CSA C22.1 for further information on hazardous locations and approved Division 2 wiring methods.**

## Related Products

ER450 Remote Data Radio  
EB450 Base/Repeater Station  
EH450 Hot Standby Base Station

## Other Related Documentation and Products

E Series Quick Start Guides  
TVIEW+ Management Suite  
Digital Orderwire Voice Module (EDOVM)  
Multiplexer Stream Router (MSR)

## Revision History

Issue 1	July 2002	Initial Release
Issue 2	August 2002	Added EH450 Quick Start Section and Specifications Section
Issue 3	November 2002	Major Edits to TVIEW and minor edits to quick start sections.
Issue 4	June 2003	Major edits to TVIEW and Hot Standby Controller sections.
Issue 5	February 2004	Additional radio and programmer information
Issue 6	February 2005	Additional information for Hazardous Locations.
Issue 7	May 2005	Various Updates

# Part B – E Series Overview

## Definition of E Series Data Radio

The E Series is a range of wireless modems designed for the transmission of data communications for SCADA, telemetry and any other information and control applications that utilise ASCII messaging techniques. The E Series uses advanced “digital” modulation and signal processing techniques to achieve exceptionally high data throughput efficiency using traditional licensed narrow band radio channels.

These products are available in many frequency band and regulatory formats, to suit spectrum bandplans, in various continental regions. The range is designed for both fixed point to point (PTP), and multiple address (MAS) or point to multipoint (PMP) systems.

## E Series Product Range

The E Series range consists of the basic *half duplex* “Remote” radio modem, an extended feature *full duplex* Remote radio modem, and ruggedised *Base Station* variants, including an optional *Hot Standby controller* to control two base station units in a redundant configuration.

Frequency band variants are indicated by the band prefix and model numbering. (See Model Number Codes)



**ER450 Remote Radio**



**EB450 Base / Repeater Station**



**EH450 Hot Standby Base Station**

## E Series – Features and Benefits

### Common Features and Benefits of the E Series Data Radio

- Up to 19200bps over-air data rates using programmable DSP based advanced modulation schemes.
- Designed to various International regulatory requirements including FCC, ETSI and ACA.
- Superior receiver sensitivity.
- Fast data turnaround time <10mS.
- Flash upgrade-able firmware – insurance against obsolescence.
- Multi-function bi-colour Tx/Rx data LEDs showing Port activity (breakout box style), as well as LEDs indicating Tx, Rx, RF Signal, Data Synchronisation and DC Power status of the radio.
- Rugged N type antenna connectors on all equipment.
- High temperature transmitter foldback protection.
- Two independent configurable data ports and separate system port.
- Higher port speeds to support increased air-rate (up to 76800bps on Port A and 38400bps on Port B).
- Independent system port for interruption free programming and diagnostics (in addition to two (2) user ports).
- 9600bps in 12.5 kHz radio channels with ETSI specifications.
- Remote over-the-air configuration of any radio from any location.
- Multistream™ simultaneous data streams allows for multiple vendor devices / protocols to be transported on the one radio network.
- Flexible data stream routing and steering providing optimum radio channel efficiency – complex data radio systems can be implemented with fewer radio channels.
- The ability to duplicate data streams – that is, decode the same off-air data to two separate ports.
- Multi-function radio capable of dropping off one stream to a port and forward on or repeat (store and forward) the same or other data.
- Stand-alone internal store and forward operation – buffered store and forward operation even in the ER remote units.
- Unique integrated C/DSMA collision avoidance technology permits simultaneous polling and spontaneous reporting operation in the same system.
- Digital receiver frequency tracking for long term data reliability.

- Network wide non intrusive diagnostics which runs simultaneously with the application.
- Network wide diagnostics interrogation which can be performed from anywhere in the system including any remote site.
- Diagnostics will route its way to any remote or base / repeater site regardless of how many base / repeater stations are interconnected.
- Full range of advanced features available within Network Management and Remote Diagnostics package – BER testing, trending, channel occupancy, client / server operation, etc.
- On board memory for improving user data latency – increased user interface speeds.
- Full CRC error checked data – no erroneous data due to squelch tails or headers.
- Radio utilises world standard HDLC as its transportation protocol.
- Various flow control and PTT control mechanisms.
- Configurable backward compatibility with existing D Series modulation scheme for use within existing networks.
- Digital plug in order wire option for commissioning and occasional voice communications without the need to inhibit users application data.

#### **Features and Benefits of ER450 Remote Data Radio**

- Optional full duplex capable remote – separate Tx and Rx ports for connection to an external duplexer.
- New compact and rugged die cast case with inbuilt heatsink.
- Low power consumption with various sleep modes.
- Rugged N type antenna connectors.
- In-line power supply fuses.
- Data Port “breakout box” style flow LEDs for easier troubleshooting.

#### **Features and Benefits of EB450 Standard Base / Repeater Station**

- Competitively priced high performance base.
- Incorporates a rugged 5W power amplifier module.

#### **Features and Benefits of EH450 Hot Standby Base / Repeater Station**

- Individual and identical base stations with separate control logic changeover panel.
- ALL modules are hot swapable without any user downtime.
- Flexible antenna options – single, separate Tx & Rx, two Tx and two Rx.

# Model Number Codes

**D, E, H, S & M Series Data Radios - Part Number Matrix = Tyxxx-aabbb-cde**

**T** **y** **x x x** **a a** **b b b** **-** **c** **d** **e**

**Options - Base Stations Duplexers\***

- 0 = No Options
- 1 = 450MHz Band Rejec Typically Internal [DUPLX450BR]
- 3 = 450MHz Band Pass Cavity[DUPLX450BP]
- 6 = 900MHz Band Pass (76MHz split)[DUPLX852/930]
- 7 = 450MHz Band Pass Compact[DUPLX450BPC]

*Note: Specify Internally or Externally fitted. Externally fitted duplexers require feeder tails.*

**Options - E and M Series Remotes\***

- 0 = No Options
- H = Hazardous Environment Class 1, Div 2 and Diagnostics Standard on E Series, Option on M Series [HAZ-APPROVAL/M]

**Options\***

- 0 = No Options
- D = Diagnostics - [DIAGS/D, DIAGS/DH, DIAGS/E or DIAGS/EH, DIAGS/M] (D, E & M Series Only)
- F = Full Duplex Operation [ERFD450] (ER450 only)
- X = Full Duplex Operation and Diagnostics [ERFD450 & DIAGS/E] (ER450 only)
- S = SMA Connector (SR450 Remote Only)

**RF Channel Data Rate & Bandwidth (Internal Modem)**

D Series	S Series	E Series	M Series--	H Series
A01 = ACA 4800bps 12.5kHz	001 = 12.5kHz (No Modem Fitted)	A01 = ACA 4800* / 9600bps 12.5kHz	001 = 2400bps 12.5kHz / 4800bps 25kHz	F01 = FCC 115kbps
A02 = ACA 9600bps 25kHz	002 = 25kHz (No Modem Fitted)	A02 = ACA 9600* / 19k2bps 25kHz	002 = 4800bps 12.5kHz / 9600bps 25kHz	A01 = ACA 115kbps
F01 = FCC 9600bps 12.5kHz	241 = 2400bps in 12.5kHz [24SR]*	F01 = FCC 9600* / 19K2bps 12.5kHz	003 = FCC 9600bps 12.5kHz	
	242 = 2400bps in 25kHz [24SR]*	F02 = FCC 19k2bps 25kHz	004 = ETSI 4800bps 12.5kHz	
	482 = 4800bps in 25kHz [48SR]*	E01 = ETSI 9600bps 12.5kHz	241* = 2400bps 12.5kHz (S Series [24SR]* Compatible)	
		E02 = ETSI 19k2bps 25kHz	242* = 2400bps 25kHz (S Series [24SR]* Compatible)	
			482* = 4800bps 25kHz (S Series [48SR]* Compatible)	

**Options - Hot Standby Configurations\***

0 = No Options

Duplexer	Antenna	Antenna Type
A	-	Separate Tx & Rx
B	-	Combined Tx/Rx
C	Single Internal	Combined Tx/Rx
D	Dual [x2] Internal	Combined Tx/Rx
E	Single External	Combined Tx/Rx
F	Dual [x2] External	Combined Tx/Rx

**Frequency (400 MHz Bands)**

- M = 395 to 465MHz (Tx & Rx) (M Series Only)
- H = 450 to 520MHz (Tx & Rx) (M Series Only)
- 46 = 370 to 388MHz (Tx & Rx)
- 47 = 380 to 396MHz (Tx & Rx)
- 48 = 395 to 406MHz (Tx & Rx)
- 50 = 403 to 417MHz (Tx & Rx)
- 58 = (Tx) 406 to 421MHz (Rx) 415 to 430MHz;
- 59 = (Tx) 415 to 430MHz (Rx) 406 to 421MHz;
- 56 = 418 to 435MHz (Tx & Rx)
- 57 = 428 to 444MHz (Tx & Rx)
- 65 = 436 to 450MHz (Tx & Rx)
- 51 = 450 to 465MHz (Tx & Rx)
- 52 = 465 to 480MHz (Tx & Rx)
- 53 = 480 to 494MHz (Tx & Rx)
- 60 = 490 to 500MHz (Tx & Rx)
- 54 = 505 to 518MHz (Tx & Rx)
- 27 = (Tx) 511 to 515MHz (Rx) 501 to 505MHz

**Frequency (800 & 900 MHz Band) (D, H & S Series Only)**

- 07 = (Tx) 847 to 857MHz (Rx) 923 to 933MHz (D Series only, 1W Full Duplex)
- 06 = (Tx) 923 to 933MHz (Rx) 847 to 857MHz (D Series only, 1W Full Duplex)
- 90 = ISM Unlicensed Band 902 to 928MHz;
- 91 = ISM Unlicensed Band 915 to 928MHz (Australia)
- 92 = ISM Unlicensed Band 2.4GHz

*Note: Other frequency bands available upon request.*

**Generic Frequency Band**

- 240 = ISM 2.4GHz (H Series only)
- 450 = 370 to 518MHz (E, M & S Series only)
- 900 = 800 / 900MHz (D & H Series only)

**Unit Type**

- R = Remote Station
- B = Base / Repeater Station (D, E & M Series Only)
- H = Hot Standby Base / Repeater (D, E & M Series Only)

**Model Type**

- D = D Series Family
- E = E Series Family
- H = H Series Family
- M = M Series Family
- S = S Series Family

**Example:** **E R 4 5 0 - 5 1 A 0 2 - D H 0**

**NOTES:**

- Additional charges apply. Must be ordered separately. Please refer to price list.
- Provides compatibility with D Series radio
- Items in [ ] parenthesis refer to actual Trio part numbers
- Consult factory for availability.
- M Series Compatible EB/EH450 Base Stations are Type A01 or F01

**Standards:** ACA - Australian Communications Authority  
FCC - Federal Communications Commission  
ETSI - European Telecommunication Standards Institute

The example shown specifies: E Series, Remote Radio, generic 450MHz band, with a specific frequency of 450MHz to 465MHz, a 9600/19200bps modem, with a bandwidth of 25kHz, diagnostics and Class 1, Div 2 Hazardous Approval (standard).

Version: 5/05



## Standard Accessories

Part Number	Description
<b>Duplexers</b>	
<b>DUPLX450BR</b>	Duplexer BAND REJECT 400-520 MHz for use with Base / Repeater / Links. For Tx / Rx frequency splits >9MHz. (Fitted Externally for a Link, Internally or Externally for Base / Repeater)
<b>DUPLX450PC</b>	Duplexer BAND REJECT 400-520 MHz for use with Base / Repeater / Links. For Tx / Rx frequency splits <9MHz. (Fitted Externally for a Link, Internally or Externally for Base / Repeater)
<b>DUPLX450BP</b>	Duplexer PSEUDO BAND PASS Cavity 400-520 MHz for External use with Base / Repeater / Links.

### Notes:

1. Frequencies must be specified at time of order.
2. Interconnecting (Feeder Tail) cables must be ordered separately for Externally fitted Duplexers.

### Antennas

<b>ANT450/9A</b>	Antenna Yagi 6 Element 9dBd Aluminium 400-520 MHz c/w mtg clamps
<b>ANT450/9S</b>	Antenna Yagi 6 Element 9dBd S/Steel 400-520 MHz c/w mtg clamps
<b>ANT450/13A</b>	Antenna Yagi 15 Element 13dBd Aluminium 400-520 MHz c/w mtg clamps.
<b>ANT450/13S</b>	Antenna Yagi 15 Element 13dBd S/Steel 400-520 MHz c/w mtg clamps.
<b>ANTOMNI/4</b>	Antenna Omnidirectional Unity Gain Side Mount Dipole 400-520 MHz c/w galv. clamp
<b>ANT450/D/N</b>	Antenna Omnidirectional Unity Gain Ground Independent Dipole 400-520 MHz c/w 3m cable, mounting bracket & N connector
<b>ANT450/6OM</b>	Antenna Omnidirectional 6dBd 400-520 MHz c/w mtg clamps
<b>ANT450/9OM</b>	Antenna Omnidirectional 9dBd 400-520 MHz c/w mtg clamps

### Note:

1. Frequencies must be specified at time of order.

### Power Supplies

<b>PS13V82A</b>	Power Supply 13.8V 2A 240VAC
<b>PS13V810A</b>	Power Supply Switch Mode 240VAC 13.8V 10A for Base Stations – Battery Charge Capability

Part Number	Description
<b>RF Cables and Accessories</b>	
<b>NM/NM/TL23</b>	Feeder Tail - N Male to N Type Male 50cm fully sweep tested RG-223
<b>NM/NM/TLL23</b>	Feeder Tail - N Male to N Type Male 1 metre fully sweep tested RG-223
<b>RFCAB5M</b>	5.0m RG-58 type Antenna Feeder Cable terminated with N type Male Connectors
<b>RFCAB5M2</b>	5.0m RG-213 type Antenna Feeder Cable terminated with N type Male Connectors
<b>RFCAB10M</b>	10.0m RG-213 type Antenna Feeder Cable terminated with N type Male Connectors
<b>RFCAB20M</b>	20.0m RG-213 type Antenna Feeder Cable terminated with N type Male Connectors
<b>RFCAB20M4</b>	20.0m LDF4-50 type (1/2" foam dielectric) Antenna Feeder Cable terminated with N type Male Connectors
<b>LGHTARRST</b>	Lightning Surge Arrestor In-line N Female to N Female

### Multiplexers

<b>MSR/9</b>	Multiplexer/Stream Router – 9 Port with RS-232 I/faces, Manual and software.
--------------	--

### Network Management Diagnostics

<b>DIAGS/E</b>	Network Management and Remote Diagnostics Facilities per Radio – E Series
<b>DIAGS/EH</b>	Network Management and Remote Diagnostics Facilities – E Series for EH450

### Software

<b>TVIEW+</b>	Configuration, Network Management and Remote Diagnostics Software
<b>TVIEW+ESeries</b>	E Series Programming Cable and configuration software.

### Other

<b>EDOVM</b>	Digital Order Wire Voice Module
<b>ERFD450</b>	ER450.... Conversion to Full Duplex Operation (N Type – Tx Port, SMA - Type Rx Port) <i>Note: Requires external duplexer</i>
<b>ERFDTRAY</b>	19" Rack Tray for Mounting of ER450 Full Duplex Radio and External Band Reject Duplexer

# Part C – Applications

---

## Generic Connectivity

---

The E Series has been designed for SCADA and telemetry applications, and any other applications that use an ASCII communications protocol, and which connect physically using the RS232 interface standard (although converters can be used to adapt other interfaces such as RS422/485, RS530/V35, G703 etc).

Any protocol that can be displayed using a PC based terminal program operating via a serial communications port is suitable for transmission by the E Series radio modems.

An ASCII protocol is any that consists of message strings formed from ASCII characters, that being defined as a 10 or 11 bit block including start and stop bits, 7 or 8 data bits and optional parity bit(s). Port set-up dialog that includes the expressions "N,8,1", or E,7,2" or similar indicate an ASCII protocol.

Most of the dominant telemetry industry suppliers utilise proprietary ASCII protocols, and also common 'open standard' industry protocols such as DNP3, MODBUS, TCP/IP, and PPP. These are all ASCII based protocols.

## Industries and Applications

---

The E Series products are widely used in point-to-point and point-to-multipoint (multiple access) applications for remote interconnection of PLCs, RTUs, dataloggers, and other data monitoring and control devices - including specialist utility devices (such as powerline ACRs). In addition, other applications such as area wide security and alarm systems, public information systems (traffic flow and public signage systems) and environmental monitoring systems.

## Application Detail

---

### SCADA Systems

---

This is where one or more centralised control sites are used to monitor and control remote field devices over wide areas. Examples include regional utilities monitoring and controlling networks over entire shires or a greater city metropolis. Industry sectors include energy utilities (gas and electricity distribution), water and sewerage utilities, catchment and environment groups (rivers, dams and catchment management authorities).

### Telemetry Systems

---

Dedicated telemetry control systems interconnecting sequential devices either where cabling is not practical or distances are considerable.

Examples include:

- ore conveyor or slurry pipeline systems
- simple water systems (pump and reservoir interlinking)
- broadcast industry (linking studio to transmitter) etc.

### Information Systems

---

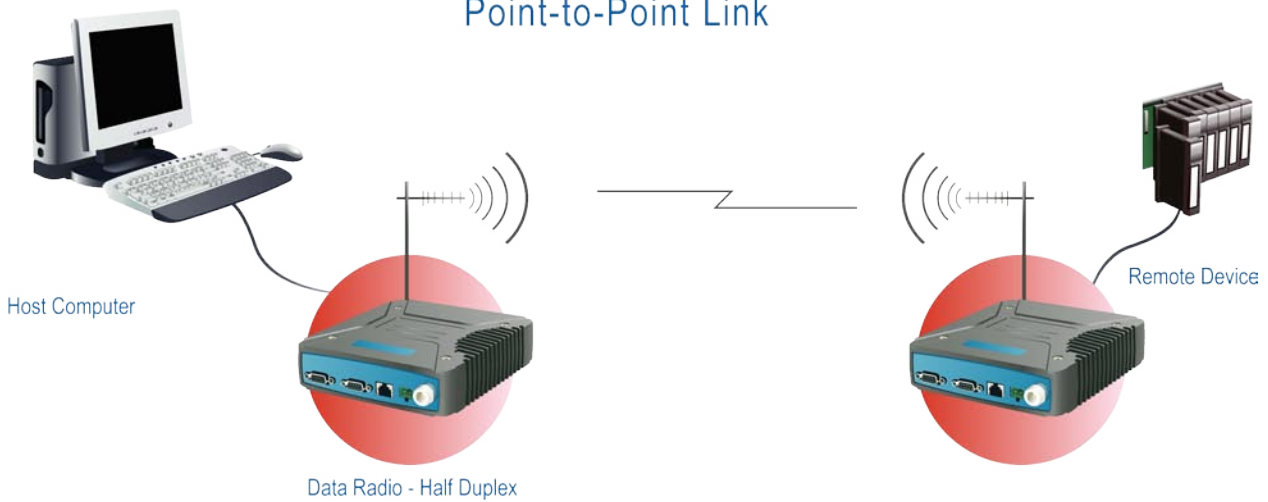
Public Information systems such as freeway vehicle flow, travel time monitoring, feedback signage, parking signage systems and meteorological stations etc.

## Systems Architecture

### Point-to-Point

This simple system architecture provides a virtual connection between the two points, similar to a cable. Dependent of the hardware chosen, it is possible to provide a full duplex connection (i.e. data transfer in both directions simultaneously) if required.

### Point-to-Point Link

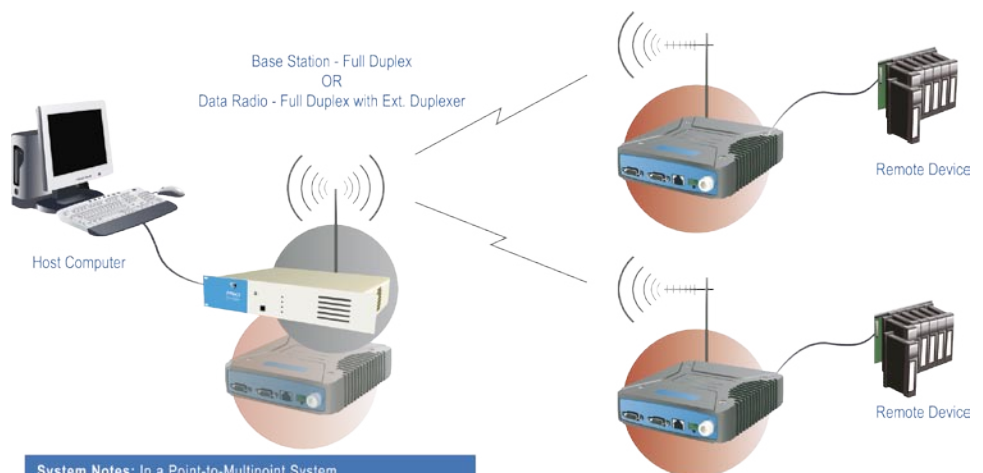


### Point-to-Multipoint Systems

In a multiple access radio system, messages can be broadcast from one (master) site to all others, either using a half duplex radio system or from any site to all others, using a simplex radio channel.

Half duplex systems often utilise a full duplex master, to make the system simpler and for faster operation.

In either case, it will be necessary for the application to support an addressing system, since the master needs to be able to select which remote device it wishes to communicate. Normally, the radio system is allowed to operate “transparently”, allowing the application’s protocol to provide the addressing, and thus control the traffic. Where the application layer does not provide the addressing, the E Series can provide it using SID codes™.



**System Notes:** In a Point-to-Multipoint System

- the host modem can send to a selected modem or,
- broadcast data to all
- receive data from all modems
- unlimited network size - limitation on bandwidth only
- base radio can be either a Remote Data Radio , or a Base Station

(See Part F - Operational Features)

**Digipeater Systems**

This configuration is used where all sites are required to communicate via a repeater site. A repeater site is used because it has a position and/or height advantage and thus provides superior or extended RF coverage. The radio modem at the repeater does not have to be physically connected to the application’s master site. Information from the application’s master is transmitted to the repeater via radio, and the repeater then relays this information to the other field sites. In this scenario, the repeater is the master from an RF point of view, the application master is effectively a “remote” from an RF point of view, even though it is controlling the

data transfer on the system.

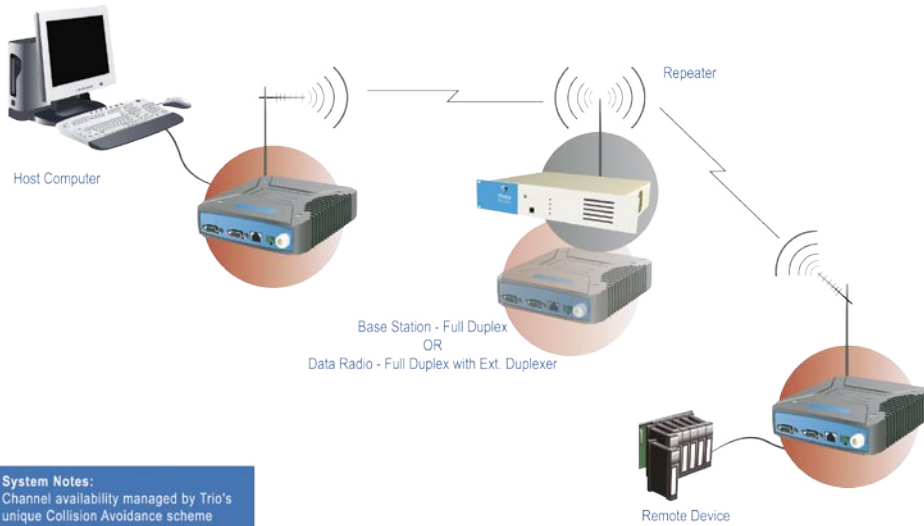
**Backbone Store and Forward Systems**

Store and forward is used as a way of extending RF coverage by repeating data messages from one site to another.

This can be done globally using the inbuilt data repeating functions, or selectively using intelligent address based routing features available in some PLC/RTU protocols.

In this case it is necessary for all units on the system to operate

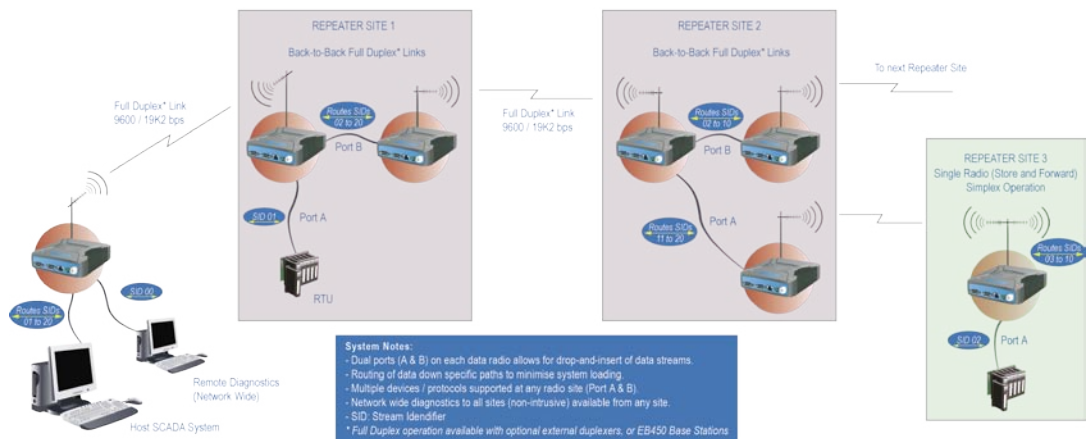
Digipeater System



**System Notes:**  
Channel availability managed by Trio's unique Collision Avoidance scheme

**Backbone Store and Forward System**

Typical Store and Forward System



**System Notes:**

- Dual ports (A & B) on each data radio allows for drop-and-insert of data streams.
- Routing of data down specific paths to minimise system loading.
- Multiple devices / protocols supported at any radio site (Port A & B)
- Network wide diagnostics to all sites (non-intrusive) available from any site.
- SID - Stream Identifier
- \* Full Duplex operation available with optional external duplexers, or EB450 Base Stations

# Part D – System Planning and Design

## Selecting Antennas

### Understanding RF Path Requirements

A radio modem needs a minimum amount of received RF signal to operate reliably and provide adequate data throughput.

In most cases, spectrum regulatory authorities will also define or limit the amount of signal that can be transmitted, and the transmitted power will decay with distance and other factors, as it moves away from the transmitting antenna.

It follows, therefore, that for a given transmission level, there will be a finite distance at which a receiver can operate reliably with respect to the transmitter.

Apart from signal loss due to distance, other factors that will decay a signal include obstructions (hills, buildings, foliage), horizon (effectively the bulge between two points on the earth), and (to a minimal extent at UHF frequencies) factors such as fog, heavy rain-bursts, dust storms, etc.

In order to ascertain the available RF coverage from a transmitting station, it will be necessary to consider these factors. This can be done in a number of ways, including

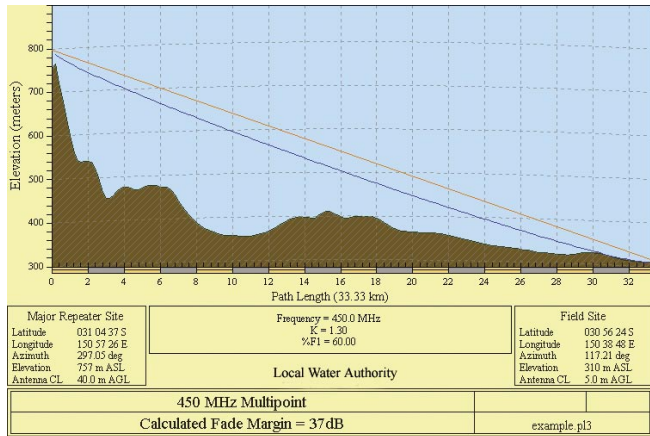
- (a) using basic formulas to calculate the theoretically available signal - allowing only for free space loss due to distance,
- (b) using sophisticated software to build earth terrain models and apply other correction factors such as earth curvature and the effects of obstructions, and
- (c) by actual field strength testing.

It is good design practice to consider the results of at least two of these models to design a radio path.

## Examples of Predictive Path Modelling

### Clear line of site

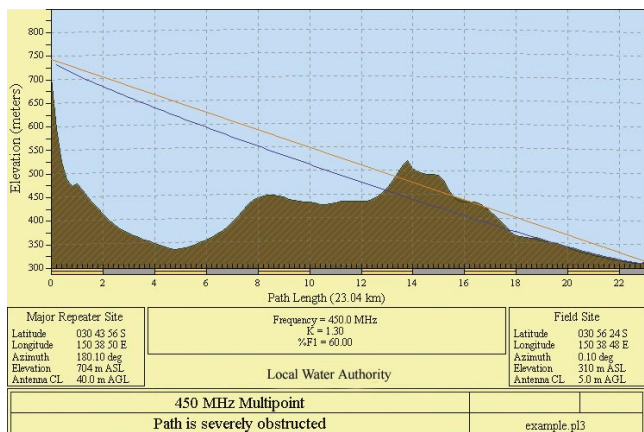
Radio path with good signal levels, attenuated only by free space loss.



goodpath.pl3	Major Repeater Site	Field Site
Elevation (m)	756.68	309.67
Latitude	031 04 37.49 S	030 56 24.00 S
Longitude	150 57 26.34 E	150 38 48.00 E
Antenna Type	ANT450/6OM	ANT450/9AL
Antenna Height (m)	40.00	5.00
Antenna Gain (dBi)	8.15	11.15
Antenna Gain (dBd)	6.00	9.00
TX Line Type	LDF4-50	LDF4-50
TX Line Length (m)	40.00	5.00
TX Line Unit Loss (dB/100 m)	6.79	6.79
TX Line Loss (dB)	2.72	0.34
Connector Loss (dB)	2.00	2.00
Frequency (MHz)	450.00	
Path Length (km)	33.33	
Free Space Loss (dB)	115.99	
Diffraction Loss (dB)	0.00	
Net Path Loss (dB)	103.75	103.75
Radio Type Model	EB450	ER450
TX Power (watts)	5.00	1.00
TX Power (dBW)	6.99	0.00
Effective Radiated Power (watts)	6.71	4.63
Effective Radiated Power (dBW)	8.27	6.66
RX Sensitivity Level (uv)	0.71	1.26
RX Sensitivity Level (dBW)	-140.00	-135.00
RX Signal (uv)	45.93	102.70
RX Signal (dBW)	-103.75	-96.76
RX Field Strength (uw/m)	453.14	545.42
Fade Margin (dB)	36.25	38.24
Raleigh Service Probability (%)	99.976	99.985

### Obstructed Radio Path

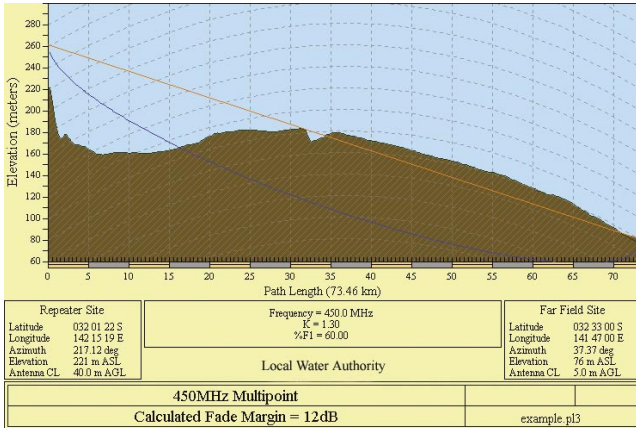
This path has an obstruction that will seriously degrade the signal arriving at the field site.



obstpath.pl3	Major Repeater Site	Field Site
Elevation (m)	703.83	309.67
Latitude	030 43 55.92 S	030 56 24.00 S
Longitude	150 38 49.51 E	150 38 48.00 E
Antenna Type	ANT450/6OM	ANT450/9AL
Antenna Height (m)	40.00	5.00
Antenna Gain (dBi)	8.15	11.15
Antenna Gain (dBd)	6.00	9.00
TX Line Type	LDF4-50	LDF4-50
TX Line Length (m)	40.00	5.00
TX Line Unit Loss (dB/100 m)	6.79	6.79
TX Line Loss (dB)	2.72	0.34
Connector Loss (dB)	2.00	2.00
Frequency (MHz)	450.00	
Path Length (km)	23.04	
Free Space Loss (dB)	112.78	
Diffraction Loss (dB)	16.71	
Net Path Loss (dB)	117.25	117.25
Radio Type Model	EB450	ER450
TX Power (watts)	5.00	1.00
TX Power (dBW)	6.99	0.00
Effective Radiated Power (watts)	6.71	4.63
Effective Radiated Power (dBW)	8.27	6.66
RX Sensitivity Level (uv)	0.71	1.26
RX Sensitivity Level (dBW)	-140.00	-135.00
RX Signal (uv)	9.70	21.70
RX Signal (dBW)	-117.25	-110.26
RX Field Strength (uw/m)	95.74	115.23
Fade Margin (dB)	22.75	24.74
Raleigh Service Probability (%)	99.470	99.665

**Effect of Earth Curvature on Long Paths**

This path requires greater mast height to offset the earth curvature experienced at such a distance (73km).



longpath.pl3	Repeater Site	Far Field Site
Elevation (m)	221.26	75.58
Latitude	032 01 21.63 S	032 33 00.00 S
Longitude	142 15 19.26 E	141 47 00.00 E
Azimuth	217.12	37.37
Antenna Type	ANT 450/60M	ANT450/9AL
Antenna Height (m)	40.00	5.00
Antenna Gain (dBi)	8.15	11.15
Antenna Gain (dBd)	6.00	9.00
TX Line Type	LDF4-50	LDF4-50
TX Line Length (m)	40.00	5.00
TX Line Loss (dB)	6.79	6.79
Connector Loss (dB)	2.72	0.34
	2.00	2.00
Frequency (MHz)	450.00	
Path Length (km)	73.46	
Free Space Loss (dB)	122.85	
Diffraction Loss (dB)	22.94	
Net Path Loss (dB)	133.55	133.55
Radio Type Model	EB450	ER450
TX Power (watts)	5.00	1.00
TX Power (dBW)	6.99	0.00
Effective Radiated Power (watts)	6.72	4.64
Effective Radiated Power (dBW)	8.27	6.66
RX Sensitivity Level (uv)	0.71	1.26
RX Sensitivity Level (dBW)	-140.00	-135.00
RX Signal (uv)	1.49	3.32
RX Signal (dBW)	-133.55	-126.56
RX Field Strength (uv/m)	14.65	17.64
Fade Margin (dB)	6.45	8.44
Raleigh Service Probability (%)	79.735	86.656

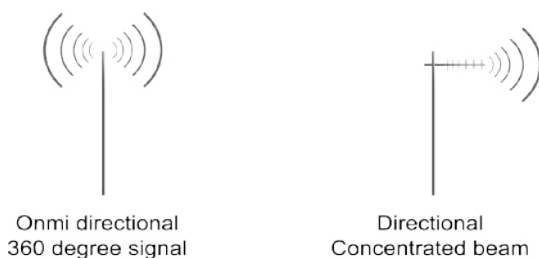
There are basically two types of antennas – omni-directional and directional.

Omnidirectional antennas are designed to radiate signal in a 360 degree segment around the antenna. Basic short range antennas such as folded dipoles and ground independent whips are used to radiate the signal in a “ball” shaped pattern. High gain omni antennas such as the “co-linear” compress the sphere of energy into the horizontal plane, providing a relatively flat “disc” shaped pattern which goes further because all of the energy is radiated in the horizontal plane.

Directional antennas are designed to concentrate the signal into “beam” of energy for transmission in a single direction (i.e. for point-to-point or remote to base applications).

Beamwidths vary according to the antenna type, and so can be selected to suit design requirements. The most common UHF directional antenna is the yagi, which offers useable beam widths of 30-50 degrees. Even higher “gain” is available using parabolic “dish” type antennas such as gridpacks.

### Antenna Gain



By compressing the transmission energy into a disc or beam, the antenna provides more energy (a stronger signal) in that direction, and thus is said to have a performance “gain” over a basic omni antenna. Gain is usually expressed in dBd, which is referenced to a standard folded dipole. Gain can also be expressed in dBi, which is referenced to a theoretical “isotropic” radiator. Either way, if you intend to send and receive signals from a single direction, there is advantage in using a directional antenna - both due to the increased signal in the wanted direction, and the relatively decreased signal in the unwanted direction (i.e. “interference rejection” properties).

### Tuning the Antenna

Many antennas are manufactured for use over a wide frequency range. Typical fixed use antennas such as folded dipoles and yagis are generally supplied with the quoted gain available over the entire specified band range, and do not require tuning. Co-linear antennas are normally built to a specific frequency specified when ordering.

With mobile “whip” type antennas, it is sometimes necessary to “tune” the antenna for the best performance on the required frequency. This is usually done by trimming an antenna element whilst measuring VSWR, or simply trimming to a manufacturer supplied chart showing length vs frequency. These antennas would normally be supplied with the tuning information provided.

### Antenna Placement

When mounting the antenna, it is necessary to consider the following criteria:

The mounting structure will need to be solid enough to withstand additional loading on the antenna mount due to extreme wind, ice or snow (and in some cases, large birds).

For omni directional antennas, it is necessary to consider the effect of the mounting structure (tower mast or building) on the radiation pattern. Close in structures, particularly steel structures, can alter the radiation pattern of the antenna. Where possible, omni antennas should always be mounted on the top of the mast or pole to minimise this effect. If this is not possible, mount the antenna on a horizontal outrigger to get it at least 1-2m away from the structure. When mounting on buildings, a small mast or pole (2-4m) can significantly improve the radiation pattern by providing clearance from the building structure.

For directional antennas, it is generally only necessary to consider the structure in relation to the forward radiation pattern of the antenna, unless the structure is metallic, and of a solid nature. In this case it is also prudent to position the antenna as far away from the structure as is practical. With directional antennas, it is also necessary to ensure that the antenna cannot move in such a way that the directional beamwidth will be affected. For long yagi antennas, it is often necessary to install a fibreglass strut to stabilise the antenna under windy conditions.

### Alignment of Directional Antennas

This is generally performed by altering the alignment of the antenna whilst measuring the received signal strength. If the signal is weak, it may be necessary to pre-align the antenna using a compass, GPS, or visual or map guidance in order to “find” the wanted signal. Yagi antennas have a number of lower gain “lobes” centred around the primary lobe. When aligning for best signal strength, it is important to scan the antenna through at least 90 degrees, to ensure that the centre (strongest) lobe is identified.

When aligning a directional antenna, avoid placing your hands or body in the vicinity of the radiating element or the forward beam pattern, as this will affect the performance of the antenna.



## RF Feeders and Protection

The antenna is connected to the radio modem by way of an RF feeder. In choosing the feeder type, one must compromise between the loss caused by the feeder, and the cost, flexibility, and bulk of lower loss feeders. To do this, it is often prudent to perform path analysis first, in order to determine how much “spare” signal can be allowed to be lost in the feeder. The feeder is also a critical part of the lightning protection system.

All elevated antennas may be exposed to induced or direct lightning strikes, and correct grounding of the feeder and mast are an essential part of this process. Gas discharge lightning arresters should also be fitted to all sites.

*Note: All ETSI installations require the use of a lightning surge arrester in order to meet EN6095. See Part A - Preface for lightning arrester specifications.*

Common Cable Types	Loss per meter @ 450MHz	Loss per 10m @ 450MHz
RG58C/U	0.4426dB	4.4dB
RG213/U	0.1639dB	1.6dB
FSJ1-50 (¼" superflex)	0.1475dB	1.5dB
LDF4-50 (1/2" heliax)	0.0525dB	0.52dB
LDF5-50 (7/8" heliax)	0.0262dB	0.3dB



## Data Connectivity

### The V24 Standard

The E Series radio modems provide two asynchronous V24 compliant RS232 ports for connection to serial data devices.

There are two types of RS232 interfaces – DTE and DCE.

DTE stands for *data terminal equipment* and is generally applied to any intelligent device that has a need to communicate to another device via RS232. For example: P.C. Comm ports are always DTE, as are most PLC and RTU serial ports.

DCE stands for *data communication equipment* and is generally applied to a device used for sending data over some medium (wires, radio, fibre etc), i.e. any MODEM.

The standard interface between a DTE and DCE device (using the same connector type) is a straight through cable (i.e. each pin connects to the same numbered corresponding pin at the other end of the cable).

The “V24” definition originally specified the DB25 connector standard, but this has been complicated by the emergence of the DB9 (pseudo) standard for asynch devices, and this connector standard has different pin assignments.

The wiring standard is “unbalanced”, and provides for three basic data transfer wires (TXD, RXD, and SG – signal ground).

### Hardware Handshaking

Hardware handshake lines are also employed to provide flow control, however (in the telemetry industry) many devices do not always support all (or any) flow control lines.

For this reason, the E Series modems can be configured for full hardware flow control, or no flow control at all (simple 3 wire interface).

*Note: that when connecting devices together with differing handshake implementations, it is sometimes necessary to “loop” handshake pins in order to fool the devices handshaking requirements.*

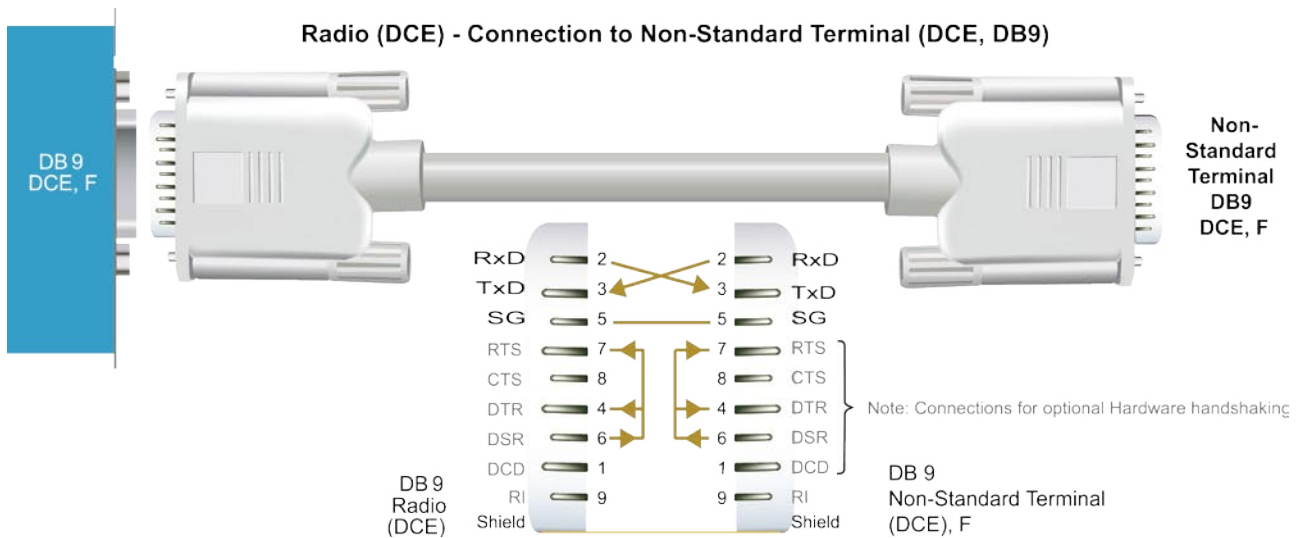
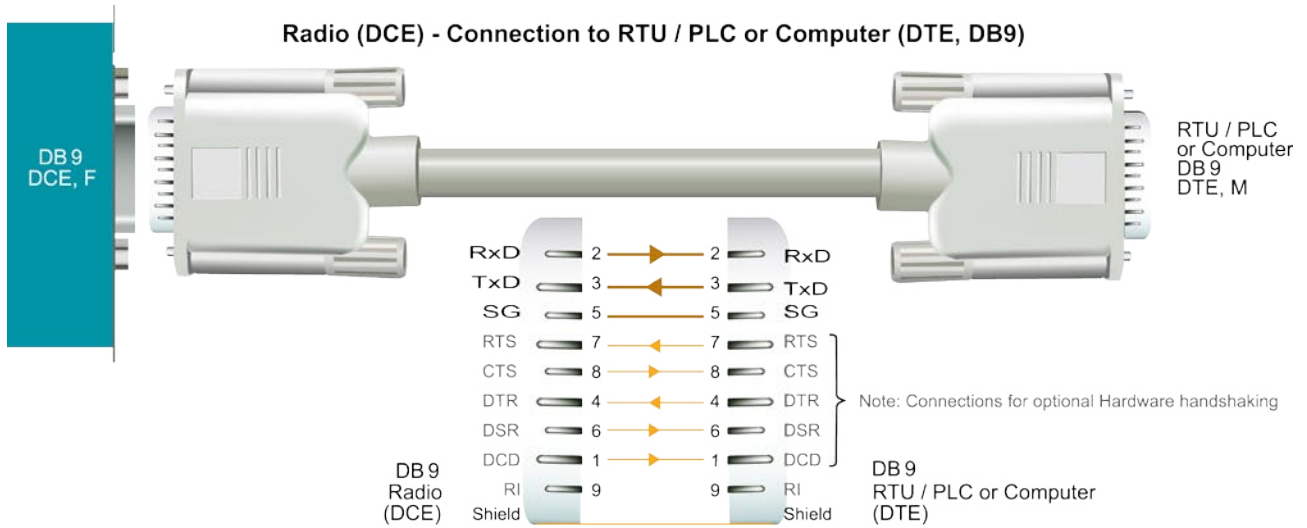
In telemetry applications (particularly where port speeds can be set to the same rate as the radio systems over-air rate) then flow control, and therefore handshaking, is usually NOT required. It follows that any devices that CAN be configured for “no flow control” should be used in this mode to simplify cabling requirements.

Handshaking lines can generally be looped as follows:

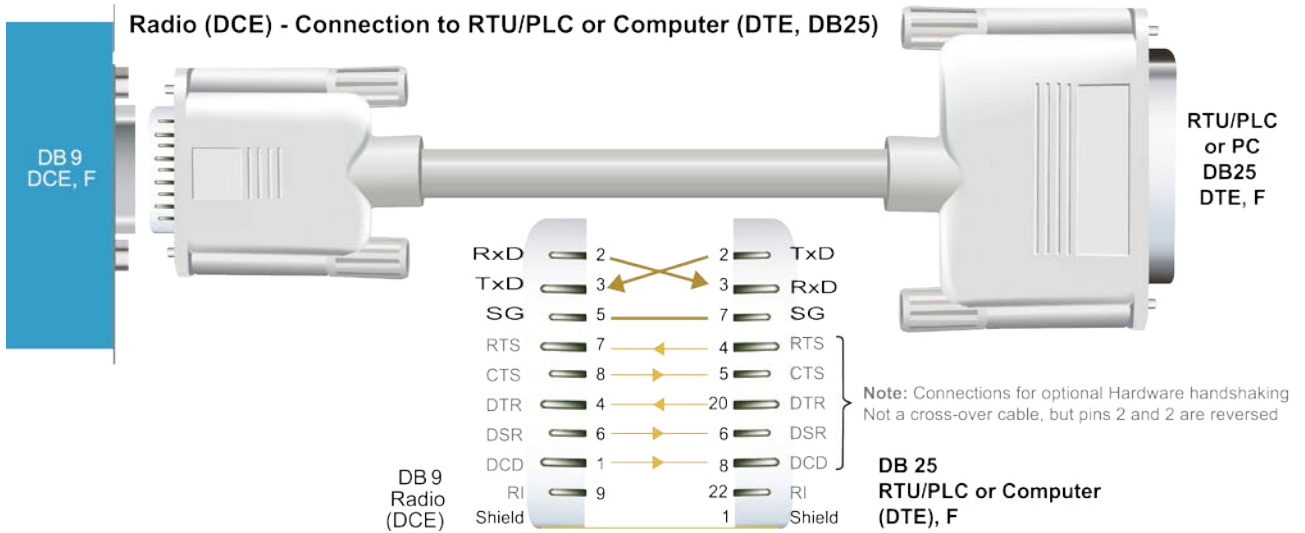
DTE (terminal) – loop RTS to CTS, and DTR to DSR and DCE.

DCE (modem) - loop DSR to DTR and RTS (note-not required for E Series modem when set for **no handshaking**).

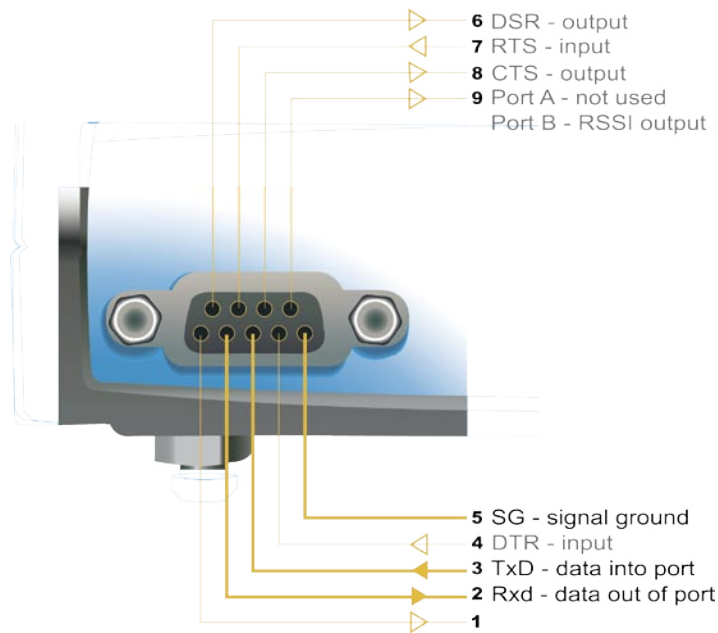
Cable Wiring Diagrams



**Cable Wiring Diagrams**



**RS232 Connector Pin outs (DCE)  
Port A and B, Female DB9**



## Power Supply and Environmental Considerations

### General

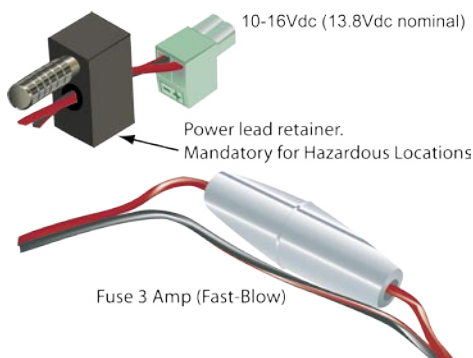
When mounting the equipment, consideration should be given to the environmental aspects of the site. The cabinet should be positioned so that it is shaded from hot afternoon sun, or icy cold wind. Whilst the radios are designed for harsh temperature extremes, they will give a longer service life if operated in a more stable temperature environment. In an industrial environment, the radio modems should be isolated from excessive vibration, which can destroy electronic components, joints, and crystals.

The cabinet should provide full protection from moisture, dust, corrosive atmospheres, and residues from ants and small vermin (which can be corrosive or conductive). The radio modem will radiate heat from the in-built heatsink, and the higher the transmitter duty cycle, the more heat will be radiated from the heatsink. Ensure there is sufficient ventilation in the form of passive or forced air circulation to ensure that the radio is able to maintain quoted temperature limits.

### Power Supply

The power supply should provide a clean, filtered DC source. The radio modem is designed and calibrated to operate from a 13.8VDC regulated supply, but will operate from 10-16 volts (filtered) DC.

The power supply must be able to supply sufficient current to provide clean filtered DC under the full current conditions of the radio modem (i.e. when transmitting full RF power). See Section L - Specifications for more details of the power supply requirements.



**Caution:** There is **NO** readily serviceable internal fuse, and therefore the radio modem **MUST** be externally fused with a fuse and fuse holder (ER450: 3 amp fast-blow fuse, EB450: 5 amp fast-blow fuse).

## Solar Applications

In solar or battery-backed installations, a battery management unit should be fitted to cut off power to the radio when battery levels fall below the minimum voltage specification of the radio. In solar applications, a solar regulation unit **MUST ALSO** be fitted to ensure that the radio (and battery) is protected from excessive voltage under full sun conditions.

When calculating solar and battery capacity requirements, the constant current consumption will be approximately equal to the transmit current multiplied by the duty cycle of the transmitter, plus the receive current multiplied by the (remaining) duty cycle of the receiver.

The Tx/Rx duty cycle will be entirely dependent on the amount of data being transmitted by the radio modem, unless the device has been configured for continuous transmit, in which case the constant current consumption will be equal to the transmit current only (at 100% duty cycle).

*Note: Operation below the minimum specified supply voltages could result in poor radio performance. If the supply voltage falls below 7.2Vdc the radio will shut down. Normal radio startup will not occur until 10Vdc is supplied.*

## Site Earthing

The radio must not be allowed to provide a ground path from chassis to (DB9) signal ground or (-) battery ground. Ensure that the chassis mounting plate, power supply (-) earth, RTU terminal device, and lightning arrester, are all securely earthed to a common ground point to which an earth stake is attached. Please pay particular attention to 24Vdc PLC systems using DC-DC converters to supply 13.8Vdc.

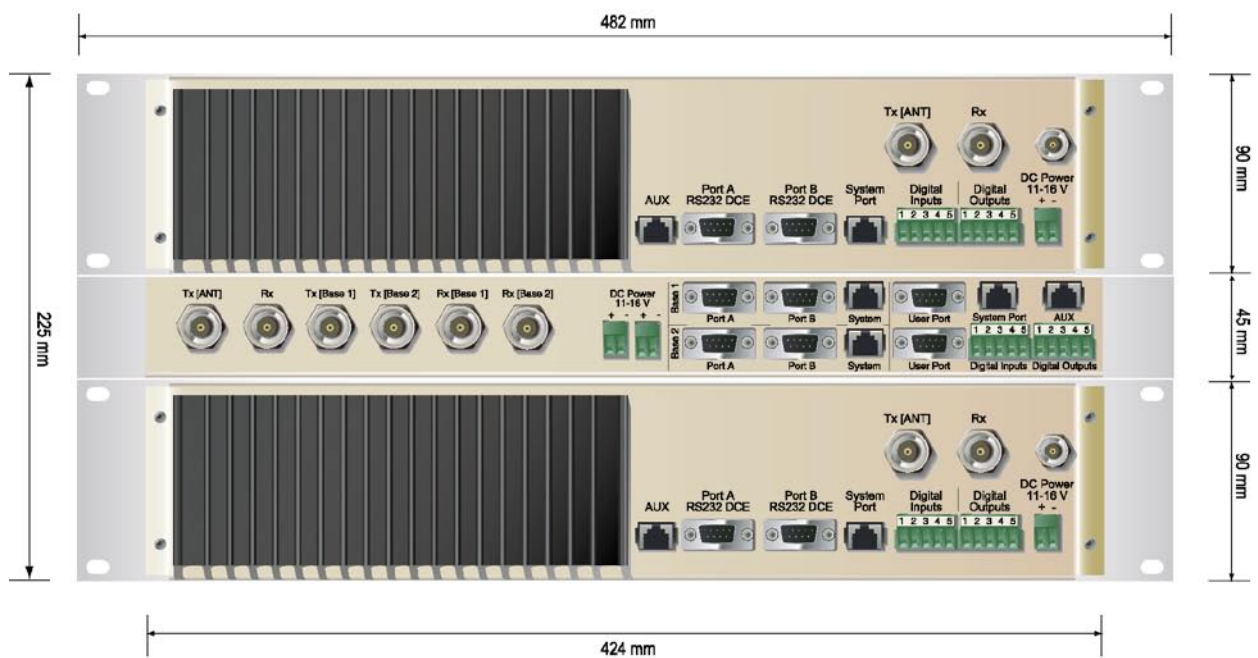
### Physical Dimensions - Remote Data Radio - ER450



### Physical Dimensions - Base Station - EB450



**Physical Dimensions - Hot Standby Base Station - EH450**



# Part E – Getting Started

## ER450 Quick Start Guide

### Introduction

Welcome to the *ER450 Quick Start Guide*. This guide provides step-by-step instructions, with simple explanations to get you up-and-running.



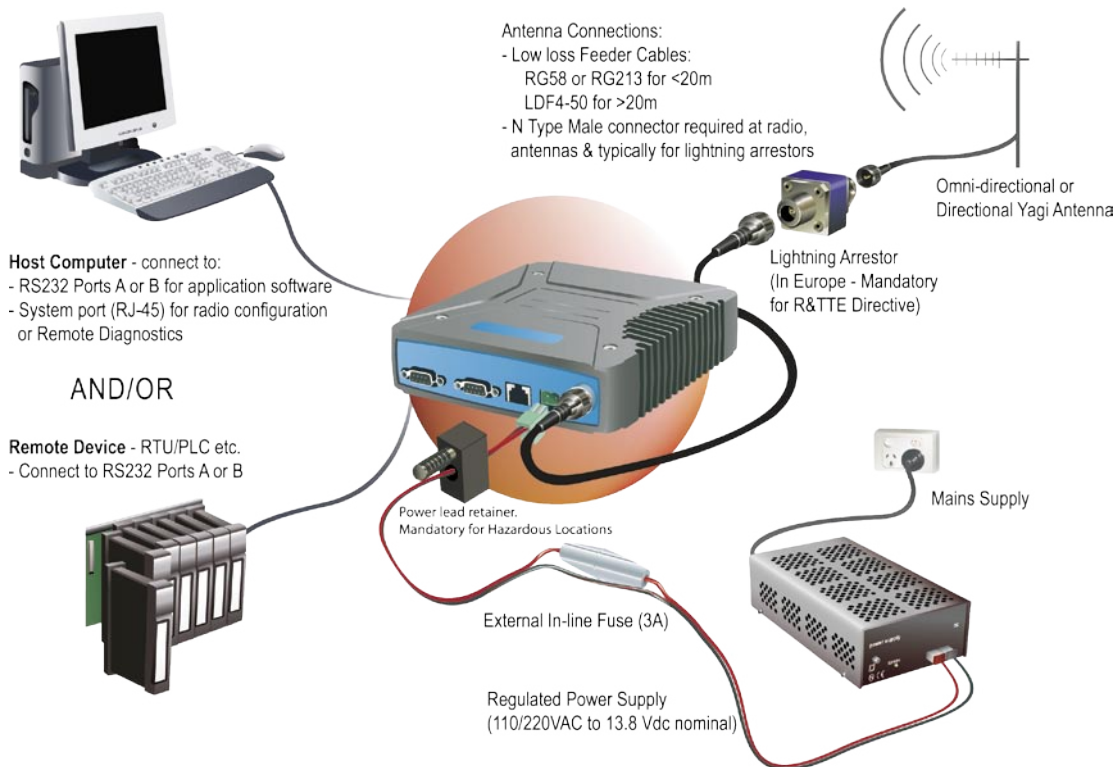
### Mounting and Environmental Considerations

The ER450 radio comes complete with a mounting cradle and is attached to a panel or tray by means of screws or bolts, using the hole slots provided.

*Note: In high power or high temperature applications, it is desirable to mount the radio with the heatsink uppermost to allow ventilation for the heatsink.*

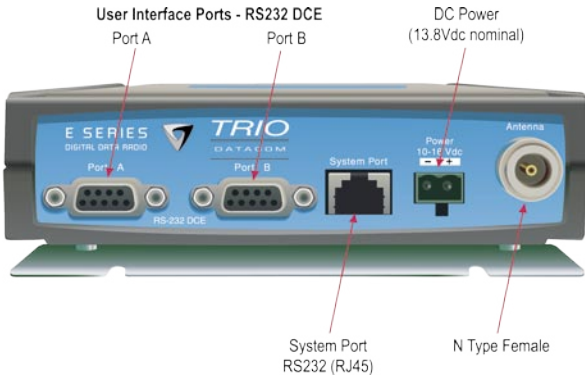
The radio should be mounted in a clean and dry location, protected from water, excessive dust, corrosive fumes, extremes of temperature and direct sunlight. Please allow sufficient passive or active ventilation to allow the radio modem's heatsink to operate efficiently.

### Typical Radio Setup





**ER450 Connections Layout**



**Connecting Antennas and RF Feeders**

The RF antenna system should be installed in accordance with the manufacturers notes.

The RF connector used on the E Series radios are N Type female connectors. Always use good quality low loss feeder cable, selected according to the length of the cable run. Ensure all external connections are waterproofed using amalgamating tape.

Preset directional antennas in the required direction using a compass, GPS, or visual alignment and ensure correct polarisation (vertical or horizontal).



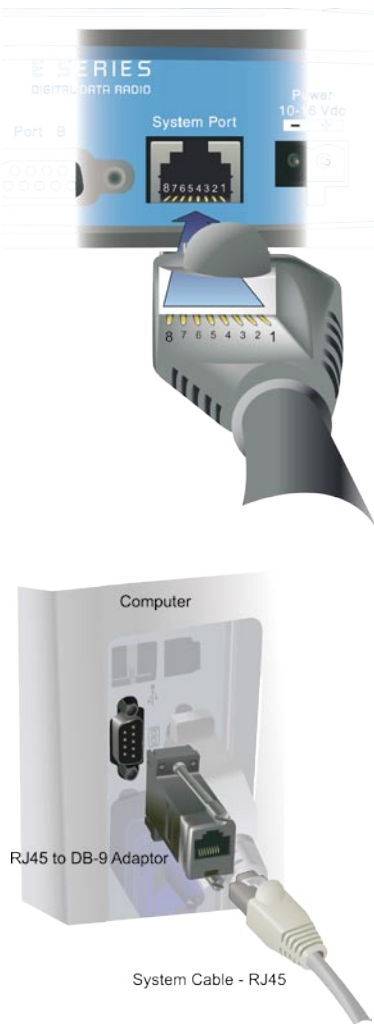
**Communications Ports**

**System Port – RJ45**

The System Port (available front and rear on EB/EH450) is a multi-function interface used for:

- Programming / Configuration of the radio
- Remote Diagnostics connections

To access these functions use theTVIEW+ Cable assembly (RJ45 Cable and RJ45 to DB9 Adaptor).



The TVIEW+ Cable is a standard CAT 5 RJ-45 (Male) to RJ-45 (Male) patch cable. It is intended for RS232 serial communications only and should not be connected directly into an ethernet port of a PC. The Cable must be used in conjunction with the RJ-45 to DB9 Adaptor.

TVIEW+ Adaptor Configuration:

System Port	Description	DB9 Female
Pin 1	System port data out (RS232)	Pin 2
Pin 2	System port data in (RS232)	Pin 3
Pin 3	Factory Use Only - Do not connect	No Connection
Pin 4	Shutdown	No Connection
Pin 5	Programming Use Only (Grounded)	Pin 5
Pin 6	Factory Use Only - Do not connect	No Connection
Pin 7	Ground	Pin 5
Pin 8	External PTT	No Connection

Special user pinouts:

- Shutdown (Pin 4) - Active low for power save function
- External PTT (Pin 8) - Provides a manual PTT override facility for enabling the transmitter. For testing this can be activated by connecting PTT (Pin 8) to Gnd (Pin 7).

**User Interfaces – Ports A & B**

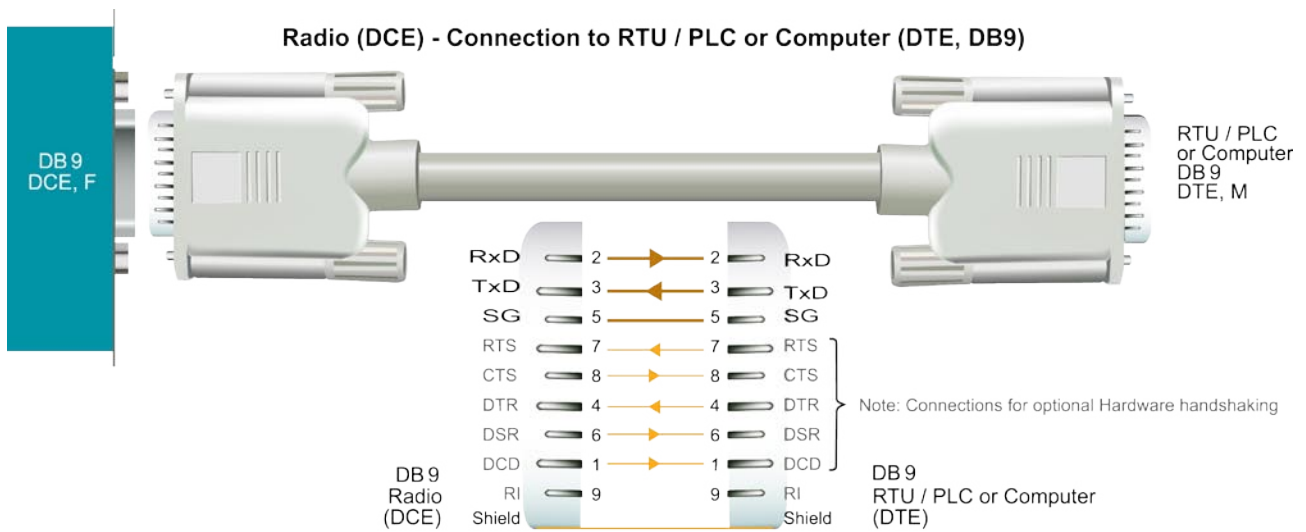
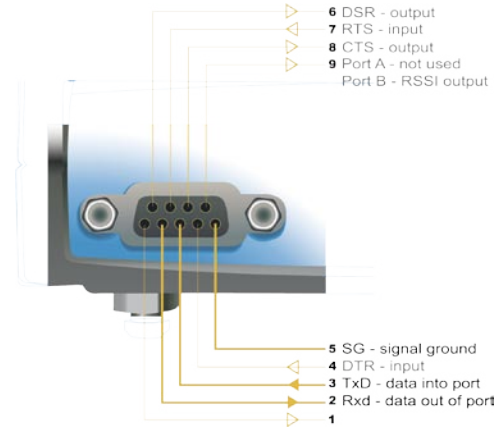
Each user port (A & B) is wired as a RS232 DCE, configurable for no handshaking (3-wire) interface, or for hardware or software (X-on/X-off) flow control. In most systems flow control is not required, in which case only 3 wires need to be connected between the radio and the application device.

**Typical pins used:**

- Pin 2 (RxD) - data output from the radio modem,
- Pin 3 (TxD) - data input to the radio modem,
- Pin 5 (SG) - signal ground.

See Part D – System Planning and Design - Data Connectivity, for further details of other cable configurations.

**RS232 Connector Pin outs (DCE)  
Port A and B, Female DB9**



**Activating the Transmitter**

In most systems, the transmitter by default is controlled automatically by the radio when it has data to transmit.

In some systems, such as full duplex point-to-point links or full duplex point-to-multipoint base stations, it is desirable to run the transmitter all the time (hot keyed).

Two mechanisms are provided to do this:

- the radio modem can be configured to transmit continuously whenever powered, or

- the radio modem can be configured to transmit whenever an external RTS signal (Pin 7) is applied to one (or either) user ports. (To simulate an external RTS input, loop pins 6 to 7).

To operate in these modes, the radio must be configured via the programming software.

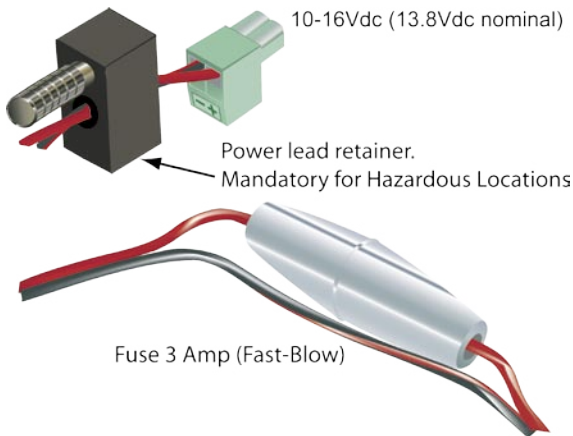


**Caution:** When the radio is configured to transmit continuously, ensure an RF load is present BEFORE applying power to the unit.

**Power Supply Requirements**

The E Series radio modem is designed and calibrated to operate from a filtered 13.8Vdc regulated supply, but will operate from a 10-16Vdc (11-16Vdc for EB450 & EH450) range. See Section L - Specifications for more details on power supply requirements

**Caution:** There is **NO** readily serviceable internal fuse, and therefore the radio modem **MUST** be externally fused with a fuse and fuse holder (ER450: 3 amp fast-blow fuse, EB450: 5 amp fast-blow fuse).



The radio is designed to self protect from permanent damage if the voltage exceeds 16Vdc or if reverse polarity is applied. The radio may need to be returned for service if this occurs.

The radio modem can also be damaged if there is any potential difference between the chassis-ground, RS232 signal ground, power (-) input, or antenna coaxial shield. Before connecting any wiring, ensure all components are earthed to a common ground point (please pay particular attention to 24V PLC power systems where converters are used).

Connect the antenna and RS 232 plugs BEFORE applying power to the unit.

Lastly, before inserting the power plug, please **re-check** that the polarity and voltage on the power plug is correct using a multimeter.

**TVIEW+ Management Suite**

**Radio Configuration**

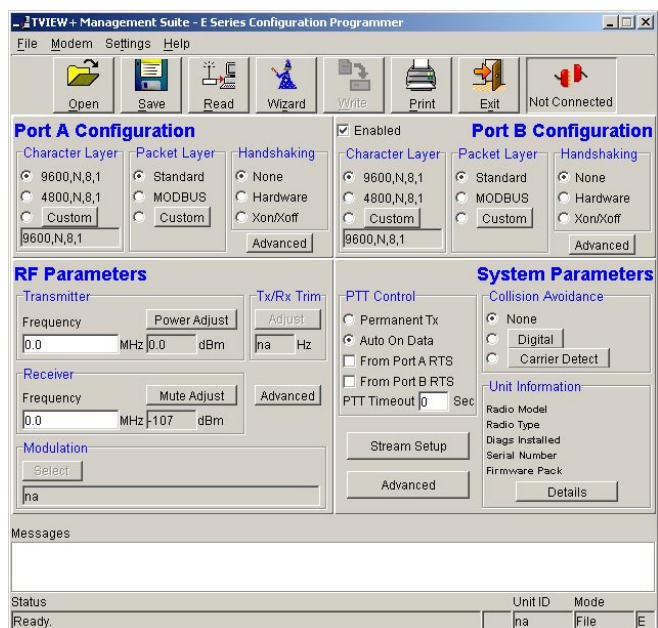
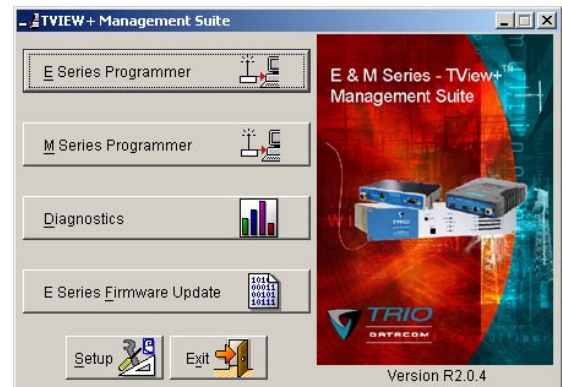
This TVIEW+ Management Suite allows a number of features including: Configuration (Local - serial, or Remote - over-the-air), Remote Diagnostics Facilities and Firmware Upgrades.

The configuration wizard can be used to provide Quick Start generic templates for the types of systems architecture you wish to employ.

Example: Local configuration session –

- 1 Attach the programming cable from the PC to the System Port of the radio
- 2 Launch TVIEW+ & Select "Programmer"
- 3 Select "Read" the radio
- 4 Change the configuration as required
- 5 Select "Write" the parameters back to the radio

Refer to Parts I & J – TVIEW+ Management Suite for detailed operation of advanced features.



### Optimising the Antenna for best RX signal

Once the unit is operational, it is important to optimise the antenna tuning.

In the case of a directional antenna, it will be necessary to align the antenna for the best received signal.

This can be done by using the (0-5Vdc) output on Pin 9 of Port B to indicate signal strength (RSSI). This voltage can be converted to dBm using the chart below.



### LED Indicators & Test Outputs



LED Legend

#### Radio is Powered

If all the LEDs are off, no power is reaching the radio modem.

Successful power-up is indicated by the “PWR” LED indicating a continuous (healthy) GREEN state. Note that this LED is turned RED when the transmitter is active.



#### Radio Errors

Internal radio management software monitors many aspects of the radio hardware. Under certain circumstances radio faults may prevent normal operation. In the event that these fault conditions occur, the radio will enter an ERROR state and this will be indicated by flashing ALL LEDs RED, then flashing a pattern of GREEN LEDs. The pattern of all GREEN LEDs represents the specific type of error that has occurred. See Table below.

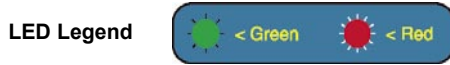
Port A	Port B	Synch/ RXSig	Pwr/TX	Error Diagnosis
OFF	OFF	OFF	ON	External Supply Voltage out of spec. (1)
ON	OFF	ON	OFF	RX VCO Out of Lock. (2)
ON	OFF	OFF	ON	TX VCO Out of Lock. (3)

All other patterns indicate serious hardware errors. Please record this pattern and return the result with the service return information.

Note (1): If external voltage is too high (>16Vdc) radio damage may occur. If the external voltage is too low (<10Vdc) the radio may not operate within specifications.

Note (2) and (3): If the radio receiver or transmitter frequencies are programmed outside the specified frequency ranges (model type dependent), then normal radio operation may not be possible. In this case, use TVIEW+ to set the receiver and/or transmitter frequencies to be within the specified range. If this error occurs and the frequencies are within the specified frequency ranges (model type dependent), the radio will need to be returned for service.

**Received Signal Indicator**

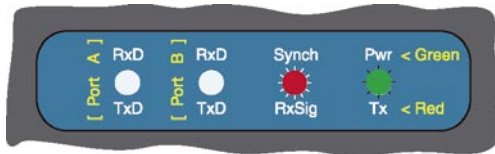


The “RX/SYNC” LED is used to indicate the state of the receiver. If the LED is off, no signal is being received.

A RED indication shows that an RF carrier is being received, but no data stream can be decoded. This will briefly happen at the very start of every valid received transmission or may indicate the presence of interference, or another user on the channel.

A continuous GREEN indication shows that the modem is locked and synchronised to the incoming signal, and has excellent Bit Error Rate (BER). Any losses of synchronisation (BER errors) are shown as a visible RED flicker of the LED.

*Note: This might only be apparent on a PTMP slave when only receiving.*



**Data Flow “breakout” LEDs**

There are also two LEDs to indicate data flow into and out of the two user ports.

Input data to be transmitted is shown as a RED flash, and received data to be output to the port is shown as a GREEN flash.

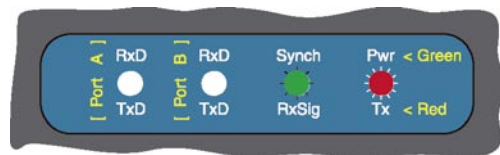
If data is alternately flowing in and out quickly, then the indicator appears orange.

**Verifying Operational Health**

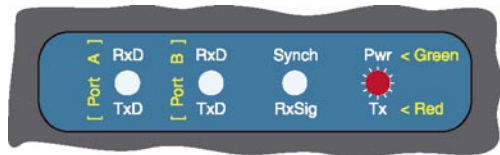
It is possible to verify the operation of the radio modem using the indicators provided by the unit. The state of the transmitter and receiver, and data flow can be interpreted by the indicator LEDs (see below).

*Note: Port A and Port B's RxD and TxD will be Active on Data Flow*

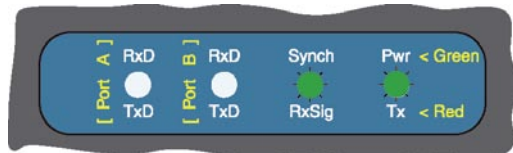
**Full Duplex – PTP Master or Slave**



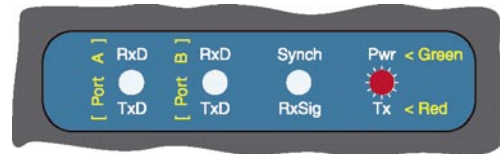
**Full Duplex – PTMP Master Tx**



**Half Duplex – PTMP Slave Rx**



**Half Duplex – Master or Slave (Tx)**



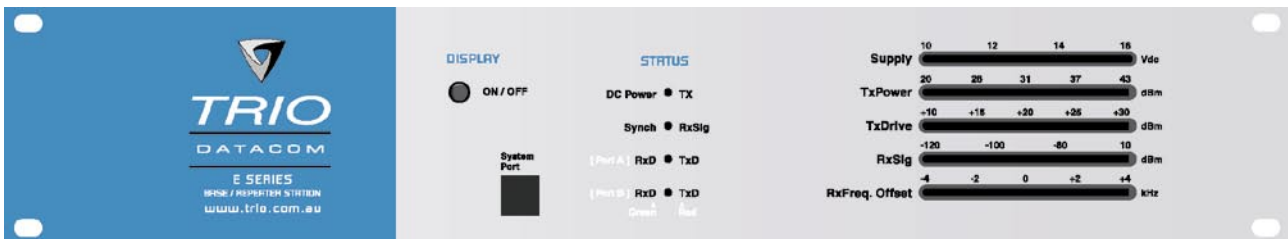
**Half Duplex – Master or Slave (Rx)**



## EB450 Quick Start Guide

### Introduction

Welcome to the *Quick Start Guide for the EB450 Base / Repeater Data Radio*. This guide provides step-by-step instructions, with simple explanations to get you up-and-running.



### Mounting and Environmental Considerations

The EB450 Base Station is housed in a 2RU 19" rack enclosure. The 4 mounting holes on the front panel should be used to secure the unit to the rack.

The radio should be mounted in a clean and dry location, protected from water, excessive dust, corrosive fumes, extremes of temperature and direct sunlight. Please allow sufficient passive or active ventilation to allow the radio modem's heatsink to operate efficiently.

All permanent connections are made at the rear of the unit. This includes: Power, Antenna, Communications Ports, Digital I/O and System Port. The front panel has an additional System Port connection point for easy access.

### Full Duplex Considerations

The EB450 is designed for continuous full duplex transmission. An automatic thermostatically controlled fan will operate whenever the internal temperature exceeds 50 degrees Celsius.

### External Duplexer Considerations

The EB450 is normally supplied with separate Tx and Rx ports for connection to an external duplexing system.

Depending on the frequency band of operation and the Tx/Rx frequency split, internal band reject duplexers are available.

### Connecting Antennas and RF Feeders

See *ER450 Quick Start Guide*

### Communications Ports

See *ER450 Quick Start Guide Section*

### Power Supply and Protection

See *ER450 Quick Start Guide Section*

### TVIEW+ Management Suite - Radio Configuration

See *ER450 Quick Start Guide Section*

### Optimising the Antenna for VSWR and best RX signal

See *ER450 Quick Start Guide Section*